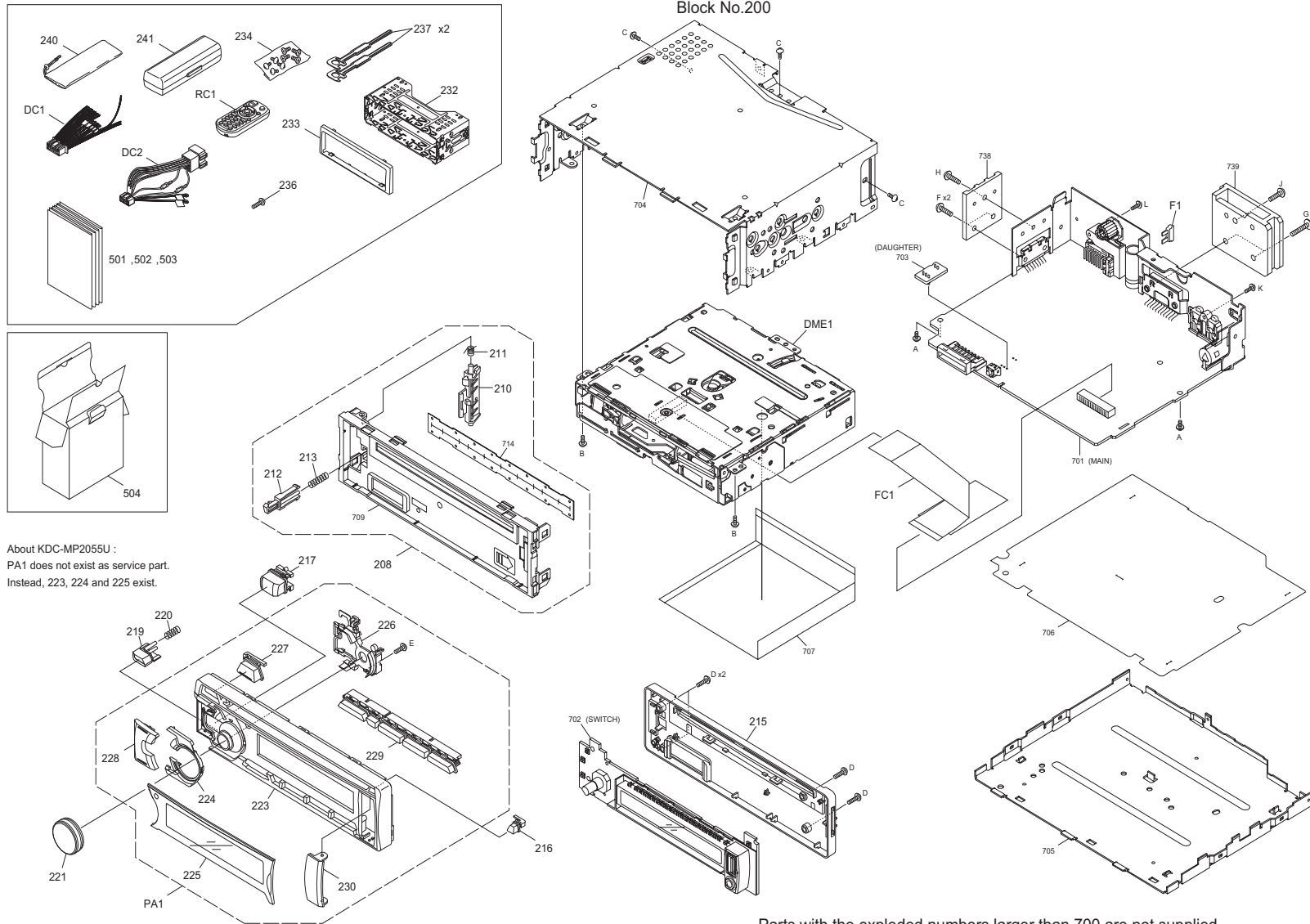


# EXPLODED VIEW (UNIT)



About KDC-MP2055U :  
PA1 does not exist as service part.  
Instead, 223, 224 and 225 exist.

Parts with the exploded numbers larger than 700 are not supplied.

MODEL	MARK	MODEL	MARK	MODEL	MARK	MODEL	MARK
KDC-155U	K0	KDC-210U	K3	KDC-3057UR	E3	KDC-3057URY	E5
KDC-317UR	E4	KDC-3257URY	E6	KDC-3357UY	E7	KDC-3457UQ	E8
KDC-3757URM	M3	KDC-4057UB	E1	KDC-4057UR	E2	KDC-MP155U	K1
KDC-MP2055U	C0	KDC-U3556	M2	KDC-U4556	M1		

Safe	Symbol No.	Parts No.	Parts Name	Description	QTY	Local
------	------------	-----------	------------	-------------	-----	-------

EXPLODED VIEW (UNIT) <200>

	DC1	QAM1335-001	DC CORD		1	K0,K3
	DC1	QAM1341-001	DC CORD		1	K1,M2,M1
	DC2	QAM1339-002	DC CORD		1	E3,E5,E4,E6,E7,M3,E1
						E2
	DC2	QAM1340-002	DC CORD		1	E8
	DC2	QAM1376-001	DC CORD		1	C0
	DME1	X92-6740-00	MECHANISM ASSY (HCS-1100W)		1	
△	F1	QMFZ064-100-J1	FUSE (10A)		1	
	FC1	WJT0277-001A-E	E-CARD WIRE		1	
	PA1	GE20323-011A	F. PANEL ASSY		1	K0
	PA1	GE20324-017A	F. PANEL ASSY		1	K3
	PA1	GE20323-004A	F. PANEL ASSY		1	E3,E5
	PA1	GE20324-015A	F. PANEL ASSY		1	E4
	PA1	GE20323-013A	F. PANEL ASSY		1	E6
	PA1	GE20323-014A	F. PANEL ASSY		1	E7
	PA1	GE20323-015A	F. PANEL ASSY		1	E8
	PA1	GE20324-008A	F. PANEL ASSY		1	M3
	PA1	GE20323-003A	F. PANEL ASSY		1	E1,E2
	PA1	GE20323-002A	F. PANEL ASSY		1	K1
	PA1	GE20323-017A	F. PANEL ASSY		1	M2
	PA1	GE20325-015A	F. PANEL ASSY		1	M1
	RC1	QAL1303-004	REMOTE CONTROL UNIT (RC-406)		1	K0,K3,E7,K1,C0,M2,M1
	A	GE40377-002A	SCREW		2	
	B	QYSDST2604ZA	TAP SCREW	M2.6 x 4mm	2	
	C	QYSDST2606ZA	TAP SCREW	M2.6 x 6mm	3	
	D	QYSPSF2008ZA	TAP SCREW	M2 x 8mm	4	
	E	QYSPSF2006ZA	TAP SCREW	M2 x 6mm	1	
	F	GE40662-001A	SPECIAL SCREW		2	
	G	GE40377-005A	SPECIAL SCREW		2	
	H	QYSDST2608ZA	TAP SCREW	M2.6 x 8mm	1	
	J	QYSDST2610ZA	TAP SCREW	M2.6 x 10mm	1	
	K	QYSDSF2608ZA	TAP SCREW	M2.6 x 8mm	1	
	L	QYSDSG3006ZA	TAP SCREW	M3 x 6mm	1	
	208	GE35081-001A	F.CHASSIS ASSY		1	
	210	GE35078-001A	LOCK LEVER		1	
	211	GE40504-001A	SPRING		1	
	212	GE35079-001A	RELEASE LEVER		1	
	213	GE40505-001A	SPRING		1	
	215	GE10352-001A	REAR COVER		1	
	216	GE35088-001A	EJECT BUTTON		1	
	217	GE40640-001A	KNOB ASSY		1	K0,K3,E1,E2,M1
	217	GE35113-001A	ACC BTN		1	E3,E5,E4,E6,E7,E8,M3
						K1,C0,M2
	219	GE35102-001A	DETACH BUTTON		1	K0,K3,E3,E5,E6,E7,E8
						M3,E1,E2,K1,C0,M2,M1
	219	GE35102-002A	DETACH BUTTON		1	E4
	220	GE40505-002A	SPRING		1	
	221	GE40634-001A	VOL KNOB RUBBER		1	K0,E3,E5,E6,E8,K1
	221	GE40635-003A	VOL KNOB RUBBER		1	K3,E4,E7,M3,E1,E2,C0
						M2,M1
	223	GE10349-001A-M	FRONT PANEL		1	C0
	224	GE35093-006A	DRESS PANEL		1	C0
	225	GE10351-041A-M	FINDER (USB)		1	C0
	226	GE20322-001A	LIGHT GUIDE (USB)		1	
	227	GE35097-001A	SRC BUTTON		1	
	228	GE35094-001A	SEARCH BTN		1	
	229	GE20321-001A	PRESET BTN		1	
	230	GE35089-001A	USB DOOR COVER		1	
	232	GE34826-002A	M.SLEEVE ASSY		1	
	233	GE20300-001A	TRIM PLATE		1	K0,K3,E3,E5,E6,E7,E8
						M3,E1,E2,K1,C0,M2
	233	GE20291-001A	TRIM PLATE		1	E4,M1
	234	GE40536-001A	SCREW SET		1	K0,K1,M2,M1
	236	QYSPSF2008MA	TAP SCREW	M2 x 8mm	1	K0,K3,K1,M2,M1
	237	GE40578-002A	HOOK		2	
	240	GE40521-001A	CARRYING CASE		1	E3,E5,E4,E6,E7,E8,E1
						E2,K1,C0
	241	GE34332-002A	HARD CASE ASSY		1	M2,M1
	501	GET0847-001A	INST BOOK	ENG FRE SPA	1	K0,K1
	501	GET0939-001A	INST BOOK	ENG FRE SPA	1	K3
	501	GET0848-004A	INST BOOK	ENG RUS UKR	1	E5,E7,E8
	501	GET0848-001A	INST BOOK	ENG GER RUS UKR	1	E4,E6,E1,E2
	501	GET0849-001A	INST BOOK	ENG ARA	1	M3,M2,M1
	501	GET0901-001A	INST BOOK	PORTUGUESE	1	C0
	502	GET0848-002A	INST BOOK	FRE DUT ITA SPA POR	1	E3,E4,E1,E2
	503	GET0848-003A	INST BOOK	ENG GER	1	E3
	504	GE35185-001A	INNER CARTON		1	K0
	504	GE35659-001A	INNER CARTON		1	K3
	504	GE35211-001A	INNER CARTON		1	E3
	504	GE35215-001A	INNER CARTON		1	E5
	504	GE35203-001A	INNER CARTON		1	E4
	504	GE35217-001A	INNER CARTON		1	E6
	504	GE35205-001A	INNER CARTON		1	E7
	504	GE35199-001A	INNER CARTON		1	E8
	504	GE35219-001A	INNER CARTON		1	M3
	504	GE35191-001A	INNER CARTON		1	E1
	504	GE35193-001A	INNER CARTON		1	E2

MODEL	MARK	MODEL	MARK	MODEL	MARK	MODEL	MARK
KDC-155U	K0	KDC-210U	K3	KDC-3057UR	E3	KDC-3057URY	E5
KDC-317UR	E4	KDC-3257URY	E6	KDC-3357UY	E7	KDC-3457UQ	E8
KDC-3757URM	M3	KDC-4057UB	E1	KDC-4057UR	E2	KDC-MP155U	K1
KDC-MP2055U	C0	KDC-U3556	M2	KDC-U4556	M1		

Safe	Symbol No.	Parts No.	Parts Name	Description	QTY	Local
504		GE35209-001A	INNER CARTON		1	K1
504		GE35608-001A	INNER CARTON		1	C0
504		GE35201-001A	INNER CARTON		1	M2
504		GE35181-001A	INNER CARTON		1	M1

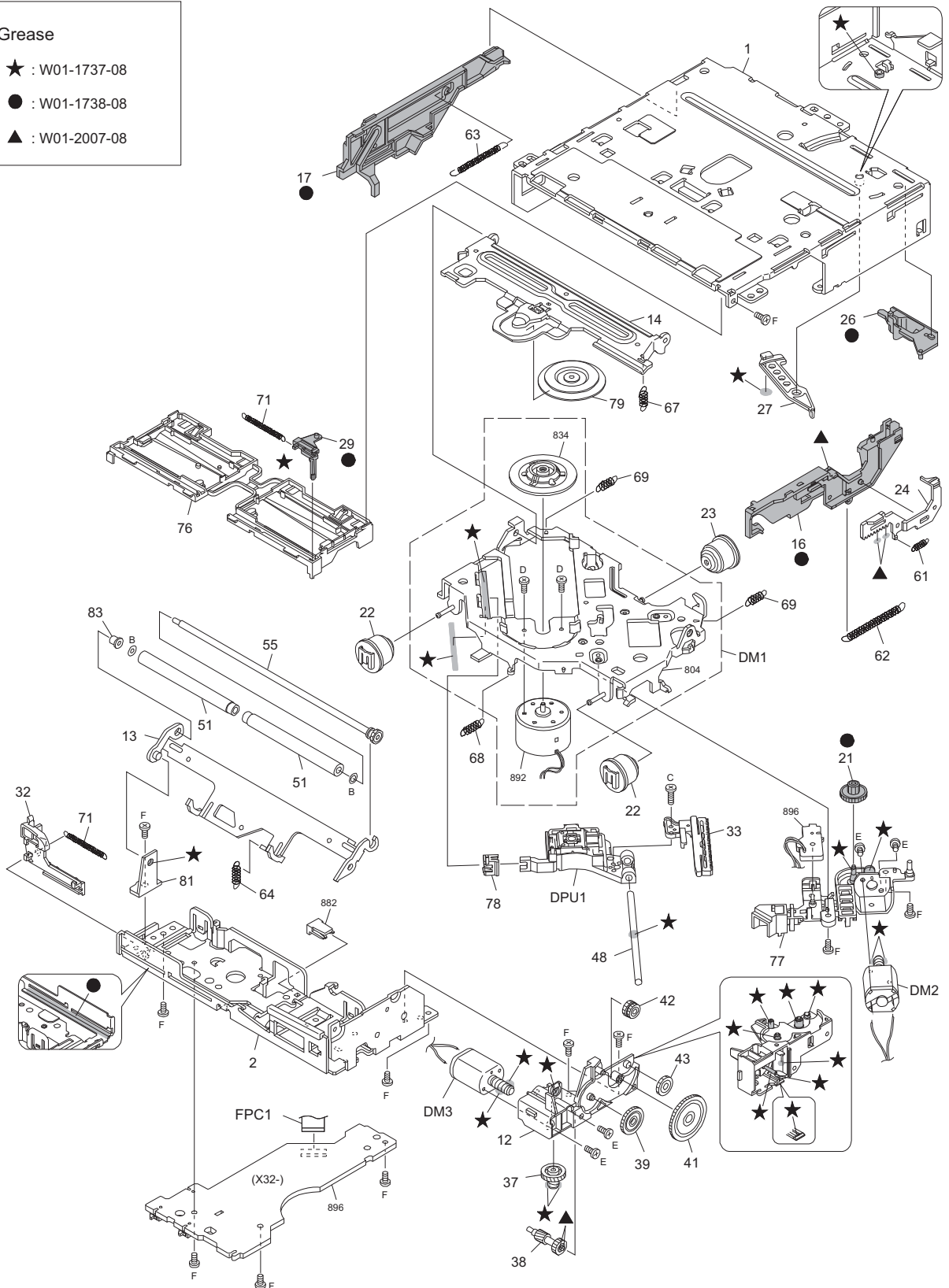
# EXPLODED VIEW (CD MECHANISM)

Block No.130

HCS-1100W

**Grease**

- ★ : W01-1737-08
- : W01-1738-08
- ▲ : W01-2007-08



Parts with the exploded numbers larger than 800 are not supplied.

MODEL	MARK	MODEL	MARK	MODEL	MARK	MODEL	MARK
KDC-155U	K0	KDC-210U	K3	KDC-3057UR	E3	KDC-3057URY	E5
KDC-317UR	E4	KDC-3257URY	E6	KDC-3357UY	E7	KDC-3457UQ	E8
KDC-3757URM	M3	KDC-4057UB	E1	KDC-4057UR	E2	KDC-MP155U	K1
KDC-MP2055U	C0	KDC-U3556	M2	KDC-U4556	M1		

Safe	Symbol No.	Parts No.	Parts Name	Description	QTY	Local
------	------------	-----------	------------	-------------	-----	-------

EXPLODED VIEW (CD MECHANISM) <130>

DM1	X94-2150-00	SPINDLE MOTOR ASSY	1	
DM2	X94-2160-00	FEED MOTOR ASSY	1	
DM3	X94-2170-00	LOADING MOTOR ASSY	1	
DPU1	QAL1226-001	PICK UP	1	
FPC1	QAL0817-003	FPC	1	
B	LV45449-001A	WASHER	2	
C	QYSPSGT1745ZA	TAP SCREW	1	M1.7 x 4.5mm
D	LV45568-001A	MINI SCREW	2	
E	QYSPSPT2025MA	SCREW	4	M2 x 2.5mm
F	VKZ4539-054	MINI SCREW	11	
1	LV11685-503A	TOP FRAME	1	
2	LV11686-501A	BOTTOM FRAME	1	
12	LV11688-501A	LOADING BASE	1	
13	LV11690-501A	ROLLER ARM	1	
14	LV22825-502A	HC CLAMPER BASE	1	
16	LV22826-502A	LOAD CAM	1	
17	LV22827-501A	FL SLIDER(L)	1	
21	LV36815-501A	F WHEEL GEAR	1	
22	LV36904-001A	DAMPER	2	
23	LV37061-001A	DAMPER	1	
24	LV38951-501A	TRIGGER RACK	1	
26	LV38952-501A	FL SLIDER(B)	1	
27	LV38953-501A	TRIGGER PLATE	1	
29	LV38957-501A	SW SLIDER(R)	1	
32	LV39496-502A	SW ACTUATOR(2)	1	
33	LV38960-501A	FEED RACK	1	
37	LV38964-501A	D.WHEEL GEAR	1	
38	LV38965-501A	ACT GEAR(1)	1	
39	LV38966-501A	ACT GEAR(2)	1	
41	LV38967-501A	ACT GEAR(3)	1	
42	LV38968-501A	ROLLER ACT GEAR	1	
43	LV38969-501A	DRIVE GEAR	1	
48	LV44555-001A	MAIN SHAFT	1	
51	LV45424-001A	HC ROLLER	2	
55	X94-2190-00	ROLLER SHAFT ASSY	1	
61	LV45415-501A	TRIGGER SPRING	1	
62	LV45416-501A	LOAD CAM SPRING	1	
63	LV45417-501A	FL SLIDER SPRING	1	
64	LV45418-501A	R.ARM SPRING	1	
67	LV45421-501A	HC CL SPRING	1	
68	LV45422-501A	SUS SPRING(F)	1	
69	LV45423-501A	SUS SPRING(B)	2	
71	LV45505-502A	SW ACT SPRING	2	
76	LV11689-501A	DISC GUIDE	1	
77	LV22828-501A	FEED BRACKET	1	
78	LV36813-501A	SUB GUIDE CAP	1	
79	LV36819-502A	CLAMPER	1	
81	LV38954-501A	R.ARM GUIDE	1	
83	LV45648-501A	RA COLLAR(L) 2	1	

MODEL	MARK	MODEL	MARK	MODEL	MARK	MODEL	MARK
KDC-155U	K0	KDC-210U	K3	KDC-3057UR	E3	KDC-3057URY	E5
KDC-317UR	E4	KDC-3257URY	E6	KDC-3357UY	E7	KDC-3457UQ	E8
KDC-3757URM	M3	KDC-4057UB	E1	KDC-4057UR	E2	KDC-MP155U	K1
KDC-MP2055U	C0	KDC-U3556	M2	KDC-U4556	M1		

Safe	Symbol No.	Parts No.	Parts Name	Description	QTY	Local
<b>ELECTRIC UNIT (X34-7xxx-xx) &lt;X34&gt;</b>						
△	IC1	TEF6614TV1S4-X	IC		1	K0,K3,K1,C0,M2,M1
△	IC1	TEF6614TV1S3-X	IC		1	E3,E5,E4,E6,E7,E8,M3 .E1,E2
	IC161	TDA7718B-X	IC		1	K0,K3,E3,E5,E4,E6,E7 .E8,M3,E1,E2,K1,C0,M2 M1
	IC161	TDA7720B-X	IC		1	
△	IC301	TB2931HQ	IC		1	
△	IC501	LV8281VR-X	IC(MOS-IC)		1	
	IC530	BU33TD3WG-W	IC		1	
	IC531	BU15TD3WG-W	IC		1	
	IC532	BU15TD3WG-W	IC		1	
△	IC540	JCV8022	IC		1	
△	IC701	W10-0822-08	IC(MCU)		1	K0,K3,E3,E5,E4,E6,E7 .E8,M3,E1,E2,M1 K1,C0,M2
△	IC701	W10-0823-08	IC(MCU)		1	
	IC702	BU4828F-W	IC(MOS-IC)		1	
	IC771	BR24T02FJ-W-X	IC(ROM)		1	
△	IC901	LV5680NPVC	IC		1	
	IC931	XC6213B332NG-X	IC		1	
	IC981	BD9673EFJ-X	IC(MOS-IC)		1	
	Q251	IMX9-W	PAIR TRANSISTOR		1	M1
	Q321	IMX9-W	PAIR TRANSISTOR		1	
	Q341	IMX9-W	PAIR TRANSISTOR		1	E6,E7,M3,K1,M2,M1
	Q540	2SA2188/F-X	TRANSISTOR		1	
	Q701	LTA014YUB-X	DIGI TRANSISTOR		1	
	Q780	LTA024EUB-X	DIGI TRANSISTOR		1	
	Q781	LTC024EUB-X	DIGI TRANSISTOR		1	
	Q782	LTA024EUB-X	DIGI TRANSISTOR		1	
	Q951	2SA812/5-6/-X	TRANSISTOR		1	
	Q952	LTC044EUB-X	DIGI TRANSISTOR		1	
	Q970	LSCR523UB-X	TRANSISTOR		1	
	Q971	LSCR523UB-X	TRANSISTOR		1	
	D9	NAF0029-002X	ESD SUPPRESSOR		1	
	D100	DZ2J062/M/-X	ZENER DIODE		1	
	D101	DZ2J062/M/-X	ZENER DIODE		1	
	D110	DZ2J062/M/-X	ZENER DIODE		1	
	D111	DZ2J062/M/-X	ZENER DIODE		1	
	D251	BAW56-TP-X	SILICON DIODE		1	M1
	D321	BAW56-TP-X	SILICON DIODE		1	
	D341	BAW56-TP-X	SILICON DIODE		1	E6,E7,M3,K1,M2,M1
	D502	GS1J-LTP-X	SILICON DIODE		1	
	D540	DA2J101-X	SILICON DIODE		1	
	D704	DZ2J062/M/-X	ZENER DIODE		1	
	D780	BAW56-TP-X	SILICON DIODE		1	
	D781	BAW56-TP-X	SILICON DIODE		1	
	D782	DA2J101-X	SILICON DIODE		1	
	D783	BAW56-TP-X	SILICON DIODE		1	
	D851	MBRX130-TP-X	SB DIODE		1	E3,E5,E4,E6,E7,E8,M3 .E1,E2,M2,M1
	D852	MBRX130-TP-X	SB DIODE		1	E3,E5,E4,E6,E7,E8,M3 .E1,E2,M2,M1
△	D891	BAW56-TP-X	SILICON DIODE		1	
	D901	1N5401-BPC04	SILICON DIODE		1	
	D902	MBRX130-TP-X	SB DIODE		1	
	D941	MBRX130-TP-X	SB DIODE		1	
	D942	MBRX130-TP-X	SB DIODE		1	
	D970	DZ2J068/M/-X	ZENER DIODE		1	
	D971	DZ2J068/M/-X	ZENER DIODE		1	
	D981	DB22306-X	SB DIODE		1	
	C1	NCB31HK-102X	C CAPACITOR	1000pF 50V K	1	
	C2	NDC31HJ-7R0X	C CAPACITOR	7pF 50V J	1	K0,K3,E3,E5,E4,E6,E7 .E8,M3,E1,E2,K1,C0 M2,M1
	C2	NDC31HJ-4R0X	C CAPACITOR	4pF 50V J	1	
	C3	NCB31HK-102X	C CAPACITOR	1000pF 50V K	1	
	C4	NCB31CK-224X	C CAPACITOR	0.22uF 16V K	1	
	C5	NDC31HJ-150X	C CAPACITOR	15pF 50V J	1	
	C6	NDC31HJ-6R0X	C CAPACITOR	6pF 50V J	1	K0,K3,E3,E5,E4,E6,E7 .E8,M3,E1,E2,K1,C0 M2,M1
	C6	NDC31HJ-4R0X	C CAPACITOR	4pF 50V J	1	
	C7	NDC31HJ-270X	C CAPACITOR	27pF 50V J	1	
	C10	NCB21CK-105X	C CAPACITOR	1uF 16V K	1	
	C11	NCB31HK-103X	C CAPACITOR	0.01uF 50V K	1	
	C12	NCB31HK-103X	C CAPACITOR	0.01uF 50V K	1	
	C13	NCB21CK-105X	C CAPACITOR	1uF 16V K	1	
	C14	NCB31CK-224X	C CAPACITOR	0.22uF 16V K	1	
	C15	NCB31HK-104X	C CAPACITOR	0.1uF 50V K	1	
	C16	NCB31HK-103X	C CAPACITOR	0.01uF 50V K	1	
	C17	NCB31HK-104X	C CAPACITOR	0.1uF 50V K	1	
	C18	NCB31HK-103X	C CAPACITOR	0.01uF 50V K	1	
	C19	NCB31HK-104X	C CAPACITOR	0.1uF 50V K	1	
	C20	NDC31HJ-120X	C CAPACITOR	12pF 50V J	1	
	C21	NCB31HK-104X	C CAPACITOR	0.1uF 50V K	1	
	C22	NCB31HK-104X	C CAPACITOR	0.1uF 50V K	1	
	C23	NCB31HK-104X	C CAPACITOR	0.1uF 50V K	1	
	C24	QEKJ1CM-107Z	E CAPACITOR	100uF 16V M	1	
	C26	NDC31HJ-471X	C CAPACITOR	470pF 50V J	1	
	C27	NDC31HJ-2R0X	C CAPACITOR	2pF 50V J	1	K0,K3,E3,E5,E4,E6,E7 .E8,M3,E1,E2,K1,C0
	C28	NDC31HJ-100X	C CAPACITOR	10pF 50V J	1	K0,K3,K1,C0

MODEL	MARK	MODEL	MARK	MODEL	MARK	MODEL	MARK
KDC-155U	K0	KDC-210U	K3	KDC-3057UR	E3	KDC-3057URY	E5
KDC-317UR	E4	KDC-3257URY	E6	KDC-3357UY	E7	KDC-3457UQ	E8
KDC-3757URM	M3	KDC-4057UB	E1	KDC-4057UR	E2	KDC-MP155U	K1
KDC-MP2055U	C0	KDC-U3556	M2	KDC-U4556	M1		

Safe	Symbol No.	Parts No.	Parts Name	Description	QTY	Local
	C101	NCB31CK-105X	C CAPACITOR	1uF 16V K	1	
	C102	NCB31CK-105X	C CAPACITOR	1uF 16V K	1	
	C111	NCB31CK-105X	C CAPACITOR	1uF 16V K	1	
	C112	NCB31HK-104X	C CAPACITOR	0.1uF 50V K	1	
	C160	QEKJ1EM-106Z	E CAPACITOR	10uF 25V M	1	
	C161	NCB31AK-105X	C CAPACITOR	1uF 10V K	1	
	C162	QERF1HM-475Z	E CAPACITOR	4.7uF 50V M	1	
	C166	NCB31HK-104X	C CAPACITOR	0.1uF 50V K	1	K0,K3,E1,E2,M1
	C168	NCB31HK-104X	C CAPACITOR	0.1uF 50V K	1	
	C169	NCB31AK-105X	C CAPACITOR	1uF 10V K	1	K0,K3,E3,E5,E4,E6,E7
	C170	NCB31AK-105X	C CAPACITOR	1uF 10V K	1	,E8,M3,E1,E2,K1,C0,M2
	C171	NCB31AK-105X	C CAPACITOR	1uF 10V K	1	K0,K3,E3,E5,E4,E6,E7
	C172	QEKJ1CM-107Z	E CAPACITOR	100uF 16V M	1	,E8,M3,E1,E2,K1,C0,M2
	C173	NCB31AK-105X	C CAPACITOR	1uF 10V K	1	
	C174	QERF1HM-475Z	E CAPACITOR	4.7uF 50V M	1	
	C175	NCB31AK-105X	C CAPACITOR	1uF 10V K	1	M1
	C177	NCB31AK-105X	C CAPACITOR	1uF 10V K	1	
	C251	QEKJ1HM-106Z	E CAPACITOR	10uF 50V M	1	M1
	C252	QEKJ1HM-106Z	E CAPACITOR	10uF 50V M	1	M1
	C253	NDC31HJ-101X	C CAPACITOR	100pF 50V J	1	M1
	C254	NDC31HJ-101X	C CAPACITOR	100pF 50V J	1	M1
	C305	NCB21CK-224X-A	C CAPACITOR	0.22uF 16V K	1	
	C306	NCB21CK-224X-A	C CAPACITOR	0.22uF 16V K	1	
	C307	NCB21CK-224X-A	C CAPACITOR	0.22uF 16V K	1	
	C308	NCB21CK-224X-A	C CAPACITOR	0.22uF 16V K	1	
	C309	QEKJ1EM-106Z	E CAPACITOR	10uF 25V M	1	
	C311	NCB31HK-223X	C CAPACITOR	0.022uF 50V K	1	
	C312	NCB31HK-223X	C CAPACITOR	0.022uF 50V K	1	
	C313	NCB21AK-105X-A	C CAPACITOR	1uF 10V K	1	
	C314	NCB31AK-105X	C CAPACITOR	1uF 10V K	1	
	C315	NCB31AK-105X	C CAPACITOR	1uF 10V K	1	
	C320	QEKJ1HM-106Z	E CAPACITOR	10uF 50V M	1	
	C321	NDC31HJ-101X	C CAPACITOR	100pF 50V J	1	
	C330	QEKJ1HM-106Z	E CAPACITOR	10uF 50V M	1	
	C331	NDC31HJ-101X	C CAPACITOR	100pF 50V J	1	
	C340	QEKJ1HM-106Z	E CAPACITOR	10uF 50V M	1	E6,E7,M3,K1,M2,M1
	C341	NDC31HJ-101X	C CAPACITOR	100pF 50V J	1	E6,E7,M3,K1,M2,M1
	C350	QEKJ1HM-106Z	E CAPACITOR	10uF 50V M	1	E6,E7,M3,K1,M2,M1
	C351	NDC31HJ-101X	C CAPACITOR	100pF 50V J	1	E6,E7,M3,K1,M2,M1
	C368	NCB31HK-103X	C CAPACITOR	0.01uF 50V K	1	
	C501	NCB31HK-104X	C CAPACITOR	0.1uF 50V K	1	
	C504	NCB31HK-104X	C CAPACITOR	0.1uF 50V K	1	
	C505	NCB31HK-473X	C CAPACITOR	0.047uF 50V K	1	
	C506	NCB31CK-224X	C CAPACITOR	0.22uF 16V K	1	
	C507	NCB31HK-104X	C CAPACITOR	0.1uF 50V K	1	
	C513	NCB31HK-104X	C CAPACITOR	0.1uF 50V K	1	
	C514	QERF1AM-107Z	E CAPACITOR	100uF 10V M	1	
	C530	NCB31AK-105X	C CAPACITOR	1uF 10V K	1	
	C531	NCB31HK-104X	C CAPACITOR	0.1uF 50V K	1	
	C532	NCB31AK-105X	C CAPACITOR	1uF 10V K	1	
	C533	NCB31HK-104X	C CAPACITOR	0.1uF 50V K	1	
	C534	NCB31HK-104X	C CAPACITOR	0.1uF 50V K	1	
	C535	NCB31HK-104X	C CAPACITOR	0.1uF 50V K	1	
	C540	NCB31HK-104X	C CAPACITOR	0.1uF 50V K	1	
	C541	NCB31HK-222X	C CAPACITOR	2200pF 50V K	1	
	C542	NCB31HK-104X	C CAPACITOR	0.1uF 50V K	1	
	C543	NCB31HK-103X	C CAPACITOR	0.01uF 50V K	1	
	C544	NCB31HK-332X	C CAPACITOR	3300pF 50V K	1	
	C545	NCB31HK-104X	C CAPACITOR	0.1uF 50V K	1	
	C546	NCB31AK-105X	C CAPACITOR	1uF 10V K	1	
	C547	NCB31HK-153X	C CAPACITOR	0.015uF 50V K	1	
	C548	NDC31HJ-680X	C CAPACITOR	68pF 50V J	1	
	C549	NCB31HK-104X	C CAPACITOR	0.1uF 50V K	1	
	C550	NCB20JK-106X-R	C CAPACITOR	10uF 6.3V K	1	
	C551	NCB31HK-104X	C CAPACITOR	0.1uF 50V K	1	
	C552	NCB31HK-333X	C CAPACITOR	0.033uF 50V K	1	
	C553	NCB31HK-472X	C CAPACITOR	4700pF 50V K	1	
	C554	NDC31HJ-331X	C CAPACITOR	330pF 50V J	1	
	C555	NDC31HJ-681X	C CAPACITOR	680pF 50V J	1	
	C556	NCB31CK-683X	C CAPACITOR	0.068uF 16V K	1	
	C557	NCB31HK-333X	C CAPACITOR	0.033uF 50V K	1	
	C558	NCB31HK-104X	C CAPACITOR	0.1uF 50V K	1	
	C559	NCB31HK-104X	C CAPACITOR	0.1uF 50V K	1	
	C561	NCB20JK-106X	C CAPACITOR	10uF 6.3V K	1	
	C562	NCB20JK-106X	C CAPACITOR	10uF 6.3V K	1	
	C564	NCB31HK-104X	C CAPACITOR	0.1uF 50V K	1	
	C565	NCB31HK-104X	C CAPACITOR	0.1uF 50V K	1	
	C566	NCB31HK-104X	C CAPACITOR	0.1uF 50V K	1	
	C567	NCB31AK-105X	C CAPACITOR	1uF 10V K	1	
	C568	NCB31HK-104X	C CAPACITOR	0.1uF 50V K	1	
	C569	NCB31HK-104X	C CAPACITOR	0.1uF 50V K	1	
	C570	NCB31HK-104X	C CAPACITOR	0.1uF 50V K	1	
	C571	NDC31HJ-470X	C CAPACITOR	47pF 50V J	1	
	C572	NCB31HK-153X	C CAPACITOR	0.015uF 50V K	1	
	C573	NCB31HK-104X	C CAPACITOR	0.1uF 50V K	1	
	C574	NCB31HK-103X	C CAPACITOR	0.01uF 50V K	1	
	C576	NCB31HK-152X	C CAPACITOR	1500pF 50V K	1	
	C582	NCB31HK-102X	C CAPACITOR	1000pF 50V K	1	
	C583	NCB31HK-102X	C CAPACITOR	1000pF 50V K	1	

MODEL	MARK	MODEL	MARK	MODEL	MARK	MODEL	MARK
KDC-155U	K0	KDC-210U	K3	KDC-3057UR	E3	KDC-3057URY	E5
KDC-317UR	E4	KDC-3257URY	E6	KDC-3357UY	E7	KDC-3457UQ	E8
KDC-3757URM	M3	KDC-4057UB	E1	KDC-4057UR	E2	KDC-MP155U	K1
KDC-MP2055U	C0	KDC-U3556	M2	KDC-U4556	M1		

Safe	Symbol No.	Parts No.	Parts Name	Description	QTY	Local
	C592	NDC31HJ-101X	C CAPACITOR	100pF 50V J	1	
	C593	NDC31HJ-101X	C CAPACITOR	100pF 50V J	1	
	C701	NDC31HJ-180X	C CAPACITOR	18pF 50V J	1	
	C702	NDC31HJ-180X	C CAPACITOR	18pF 50V J	1	
	C704	QEKJ1CM-107Z	E CAPACITOR	100uF 16V M	1	
	C705	NCB31HK-104X	C CAPACITOR	0.1uF 50V K	1	
	C706	NCB31HK-104X	C CAPACITOR	0.1uF 50V K	1	
	C707	NCB31CK-474X	C CAPACITOR	0.47uF 16V K	1	
	C708	NCB31HK-104X	C CAPACITOR	0.1uF 50V K	1	
	C711	NCB31HK-104X	C CAPACITOR	0.1uF 50V K	1	
	C712	NCB31HK-104X	C CAPACITOR	0.1uF 50V K	1	
	C713	NCB31HK-104X	C CAPACITOR	0.1uF 50V K	1	
	C714	NCB31HK-104X	C CAPACITOR	0.1uF 50V K	1	
	C715	NCB31HK-104X	C CAPACITOR	0.1uF 50V K	1	
	C716	NCB31HK-104X	C CAPACITOR	0.1uF 50V K	1	
	C717	NCB31HK-104X	C CAPACITOR	0.1uF 50V K	1	
	C718	NCB31CK-474X	C CAPACITOR	0.47uF 16V K	1	
	C722	NCB10JK-106X-A	C CAPACITOR	10uF 6.3V K	1	
	C723	NCB31CK-473X	C CAPACITOR	0.047uF 16V K	1	
	C724	NDC31HJ-150X	C CAPACITOR	15pF 50V J	1	
	C725	NDC31HJ-120X	C CAPACITOR	12pF 50V J	1	
	C728	NCB31HK-103X	C CAPACITOR	0.01uF 50V K	1	
	C729	NCJ11EK-106X-R	C CAPACITOR	10uF 25V	1	
	C731	NCB21HK-104X	C CAPACITOR	0.1uF 50V K	1	
	C733	NCB10JK-106X-A	C CAPACITOR	10uF 6.3V K	1	
	C751	NCB31HK-104X	C CAPACITOR	0.1uF 50V K	1	K0,K3,E1,E2,M1
	C788	NCB31HK-103X	C CAPACITOR	0.01uF 50V K	1	
	C794	NDC31HJ-3R0X	C CAPACITOR	3pF 50V J	1	
	C891	NCB31HK-104X	C CAPACITOR	0.1uF 50V K	1	
	C901	QEZ0934-338	E CAPACITOR	3300uF	1	
	C903	QEKJ1CM-476Z	E CAPACITOR	47uF 16V M	1	
	C904	QEKJ1CM-476Z	E CAPACITOR	47uF 16V M	1	
	C905	NCB31HK-104X	C CAPACITOR	0.1uF 50V K	1	
	C906	QEKJ1CM-107Z	E CAPACITOR	100uF 16V M	1	
	C907	QERF0JM-337Z	E CAPACITOR	330uF 6.3V M	1	
	C908	QEKJ1EM-106Z	E CAPACITOR	10uF 25V M	1	E3,E5,E4,E6,E7,E8,M3 ,E1,E2,M2,M1
	C910	QEKJ1EM-106Z	E CAPACITOR	10uF 25V M	1	
	C912	NCB31HK-104X	C CAPACITOR	0.1uF 50V K	1	
	C913	QERF0JM-337Z	E CAPACITOR	330uF 6.3V M	1	
	C916	NDC31HJ-101X	C CAPACITOR	100pF 50V J	1	K0,K3,E1,E2,M1
	C917	NDC31HJ-101X	C CAPACITOR	100pF 50V J	1	K0,K3,E1,E2,M1
	C931	NCB31HK-104X	C CAPACITOR	0.1uF 50V K	1	
	C932	QERF0JM-337Z	E CAPACITOR	330uF 6.3V M	1	
	C933	NCB31HK-104X	C CAPACITOR	0.1uF 50V K	1	
	C941	NCB31HK-104X	C CAPACITOR	0.1uF 50V K	1	
	C954	NCB31HK-104X	C CAPACITOR	0.1uF 50V K	1	
	C963	QERF1AM-107Z	E CAPACITOR	100uF 10V M	1	
	C975	NCB31EK-473X	C CAPACITOR	0.047uF 25V K	1	
	C976	NCB31HK-104X	C CAPACITOR	0.1uF 50V K	1	
	C977	NCB31HK-104X	C CAPACITOR	0.1uF 50V K	1	
	C978	NCB31HK-104X	C CAPACITOR	0.1uF 50V K	1	K0,K3,K1,C0
	C981	NCB10JK-106X-A	C CAPACITOR	10uF 6.3V K	1	
	C982	NCB31HK-103X	C CAPACITOR	0.01uF 50V K	1	
	C983	NCB31HK-682X	C CAPACITOR	6800pF 50V K	1	
	C984	NCB31HK-104X	C CAPACITOR	0.1uF 50V K	1	
	C985	NCJ11EK-106X-R	C CAPACITOR	10uF 25V	1	
	C987	NCB10JK-106X-A	C CAPACITOR	10uF 6.3V K	1	
	C988	NCB31HK-103X	C CAPACITOR	0.01uF 50V K	1	
	C989	NCJ11EK-106X-R	C CAPACITOR	10uF 25V	1	
	C990	NCB31HK-104X	C CAPACITOR	0.1uF 50V K	1	
	C991	NCB31HK-103X	C CAPACITOR	0.01uF 50V K	1	
	C993	NCJ11EK-106X-R	C CAPACITOR	10uF 25V	1	
	C994	NCB31HK-103X	C CAPACITOR	0.01uF 50V K	1	
	C995	NCJ11EK-106X-R	C CAPACITOR	10uF 25V	1	
	C996	NCJ11EK-106X-R	C CAPACITOR	10uF 25V	1	
	C997	NCB31HK-103X	C CAPACITOR	0.01uF 50V K	1	
	C998	NCB31HK-103X	C CAPACITOR	0.01uF 50V K	1	
	R1	NRSA63J-684X	MG RESISTOR	680kΩ 1/16W J	1	K0,K3,E3,E5,E4,E6,E7 ,E8,M3,E1,E2,K1,C0
	R1	NRSA63J-474X	MG RESISTOR	470kΩ 1/16W J	1	M2,M1
	R2	NRSA63J-684X	MG RESISTOR	680kΩ 1/16W J	1	K0,K3,E3,E5,E4,E6,E7 ,E8,M3,E1,E2,K1,C0
	R2	NRSA63J-474X	MG RESISTOR	470kΩ 1/16W J	1	M2,M1
	R3	NRSA63J-101X	MG RESISTOR	100Ω 1/16W J	1	M2,M1
	R4	NRSA63J-472X	MG RESISTOR	4.7kΩ 1/16W J	1	
	R6	NRSA63J-221X	MG RESISTOR	220Ω 1/16W J	1	
	R7	NRSA63J-221X	MG RESISTOR	220Ω 1/16W J	1	
	R8	NRS181J-220X	MG RESISTOR	22Ω 1/8W J	1	
	R9	NRSA63J-0R0X	MG RESISTOR	0Ω 1/10W J	1	E3,E5,E4,E6,E7,E8,M3 ,E1,E2,M2,M1
	R10	NRSA63J-0R0X	MG RESISTOR	0Ω 1/10W J	1	M2,M1
	R12	NRS181J-0R0X	MG RESISTOR	0Ω 1/8W J	1	
	R101	NRSA63J-473X	MG RESISTOR	47kΩ 1/16W J	1	
	R111	NRSA63J-473X	MG RESISTOR	47kΩ 1/16W J	1	
	R112	NRSA63J-471X	MG RESISTOR	470Ω 1/16W J	1	
	R160	NRSA63J-0R0X	MG RESISTOR	0Ω 1/10W J	1	
	R161	NRSA63J-103X	MG RESISTOR	10kΩ 1/16W J	1	
	R162	NRS181J-0R0X	MG RESISTOR	0Ω 1/8W J	1	
	R163	NRSA63J-101X	MG RESISTOR	100Ω 1/16W J	1	
	R165	NRSA63J-101X	MG RESISTOR	100Ω 1/16W J	1	

△

MODEL	MARK	MODEL	MARK	MODEL	MARK	MODEL	MARK
KDC-155U	K0	KDC-210U	K3	KDC-3057UR	E3	KDC-3057URY	E5
KDC-317UR	E4	KDC-3257URY	E6	KDC-3357UY	E7	KDC-3457UQ	E8
KDC-3757URM	M3	KDC-4057UB	E1	KDC-4057UR	E2	KDC-MP155U	K1
KDC-MP2055U	C0	KDC-U3556	M2	KDC-U4556	M1		

Safe	Symbol No.	Parts No.	Parts Name	Description	QTY	Local
	R167	NRS181J-222X	MG RESISTOR	2.2kΩ 1/8W J	1	K0,K3,E3,E5,E4,E6,E7,E8,M3,E1,E2,K1,C0,M2
	R168	NRS181J-0R0X	MG RESISTOR	0Ω 1/8W J	1	
	R178	NRSA63J-222X	MG RESISTOR	2.2kΩ 1/16W J	1	M1
	R251	NRSA63J-472X	MG RESISTOR	4.7kΩ 1/16W J	1	M1
	R252	NRSA63J-472X	MG RESISTOR	4.7kΩ 1/16W J	1	M1
	R253	NRSA63J-331X	MG RESISTOR	330Ω 1/16W J	1	M1
	R254	NRSA63J-331X	MG RESISTOR	330Ω 1/16W J	1	M1
	R255	NRSA63J-223X	MG RESISTOR	22kΩ 1/16W J	1	M1
	R256	NRSA63J-223X	MG RESISTOR	22kΩ 1/16W J	1	M1
	R257	NRSA63J-181X	MG RESISTOR	180Ω 1/16W J	1	M1
	R258	NRSA63J-181X	MG RESISTOR	180Ω 1/16W J	1	M1
	R302	NRSA63J-473X	MG RESISTOR	47kΩ 1/16W J	1	
	R304	NRSA63J-0R0X	MG RESISTOR	0Ω 1/10W J	1	
	R307	NRSA63J-0R0X	MG RESISTOR	0Ω 1/10W J	1	
	R308	NRSA63J-222X	MG RESISTOR	2.2kΩ 1/16W J	1	
	R310	NRS181J-5R1X	MG RESISTOR	5.1Ω 1/8W J	1	
	R320	NRSA63J-331X	MG RESISTOR	330Ω 1/16W J	1	
	R321	NRSA63J-223X	MG RESISTOR	22kΩ 1/16W J	1	
	R322	NRSA63J-181X	MG RESISTOR	180Ω 1/16W J	1	
	R323	NRSA63J-0R0X	MG RESISTOR	0Ω 1/10W J	1	K0,K3,E3,E5,E4,E6,E7,E8,M3,E1,E2,K1,C0,M2
	R324	NRSA63J-0R0X	MG RESISTOR	0Ω 1/10W J	1	M1
	R330	NRSA63J-331X	MG RESISTOR	330Ω 1/16W J	1	
	R331	NRSA63J-223X	MG RESISTOR	22kΩ 1/16W J	1	
	R332	NRSA63J-181X	MG RESISTOR	180Ω 1/16W J	1	
	R333	NRSA63J-0R0X	MG RESISTOR	0Ω 1/10W J	1	K0,K3,E3,E5,E4,E6,E7,E8,M3,E1,E2,K1,C0,M2
	R334	NRSA63J-0R0X	MG RESISTOR	0Ω 1/10W J	1	M1
	R335	NRSA63J-0R0X	MG RESISTOR	0Ω 1/10W J	1	K0,K3,E3,E5,E4,E8,E1,E2,C0
	R340	NRSA63J-331X	MG RESISTOR	330Ω 1/16W J	1	E6,E7,M3,K1,M2,M1
	R341	NRSA63J-223X	MG RESISTOR	22kΩ 1/16W J	1	E6,E7,M3,K1,M2,M1
	R342	NRSA63J-181X	MG RESISTOR	180Ω 1/16W J	1	E6,E7,M3,K1,M2,M1
	R347	NRSA63J-472X	MG RESISTOR	4.7kΩ 1/16W J	1	E6,E7,M3,K1,M2,M1
	R349	NRSA63J-472X	MG RESISTOR	4.7kΩ 1/16W J	1	E6,E7,M3,K1,M2,M1
	R350	NRSA63J-331X	MG RESISTOR	330Ω 1/16W J	1	E6,E7,M3,K1,M2,M1
	R351	NRSA63J-223X	MG RESISTOR	22kΩ 1/16W J	1	E6,E7,M3,K1,M2,M1
	R352	NRSA63J-181X	MG RESISTOR	180Ω 1/16W J	1	E6,E7,M3,K1,M2,M1
	R357	NRSA63J-472X	MG RESISTOR	4.7kΩ 1/16W J	1	
	R358	NRSA63J-472X	MG RESISTOR	4.7kΩ 1/16W J	1	
	R361	NRSA63J-0R0X	MG RESISTOR	0Ω 1/10W J	1	
	R362	NRSA63J-0R0X	MG RESISTOR	0Ω 1/10W J	1	
	R363	NRSA63J-0R0X	MG RESISTOR	0Ω 1/10W J	1	
	R364	NRSA63J-0R0X	MG RESISTOR	0Ω 1/10W J	1	
	R400	NRS181J-0R0X	MG RESISTOR	0Ω 1/8W J	1	
	R401	NRS181J-0R0X	MG RESISTOR	0Ω 1/8W J	1	
	R402	NRSA63J-0R0X	MG RESISTOR	0Ω 1/10W J	1	
	R403	NRS181J-0R0X	MG RESISTOR	0Ω 1/8W J	1	
	R405	NRSA63J-100X	MG RESISTOR	10Ω 1/16W J	1	
	R408	NRS181J-0R0X	MG RESISTOR	0Ω 1/8W J	1	
	R410	NRS181J-0R0X	MG RESISTOR	0Ω 1/8W J	1	
	R411	NRS181J-0R0X	MG RESISTOR	0Ω 1/8W J	1	
	R414	NRS181J-0R0X	MG RESISTOR	0Ω 1/8W J	1	
	R417	NRS181J-0R0X	MG RESISTOR	0Ω 1/8W J	1	
	R419	NRS181J-0R0X	MG RESISTOR	0Ω 1/8W J	1	
	R420	NRSA63J-0R0X	MG RESISTOR	0Ω 1/10W J	1	
	R423	NRS181J-0R0X	MG RESISTOR	0Ω 1/8W J	1	
	R426	NRS181J-0R0X	MG RESISTOR	0Ω 1/8W J	1	M1
	R427	NRS181J-0R0X	MG RESISTOR	0Ω 1/8W J	1	
	R428	NRS181J-0R0X	MG RESISTOR	0Ω 1/8W J	1	
	R430	NRS181J-0R0X	MG RESISTOR	0Ω 1/8W J	1	
	R431	NRSA63J-0R0X	MG RESISTOR	0Ω 1/10W J	1	
	R432	NRS181J-0R0X	MG RESISTOR	0Ω 1/8W J	1	
	R433	NRS181J-0R0X	MG RESISTOR	0Ω 1/8W J	1	
	R438	NRS181J-0R0X	MG RESISTOR	0Ω 1/8W J	1	
	R439	NRS181J-0R0X	MG RESISTOR	0Ω 1/8W J	1	
	R440	NRS181J-0R0X	MG RESISTOR	0Ω 1/8W J	1	
	R441	NRS181J-0R0X	MG RESISTOR	0Ω 1/8W J	1	
	R442	NRSA63J-0R0X	MG RESISTOR	0Ω 1/10W J	1	
	R444	NRS181J-0R0X	MG RESISTOR	0Ω 1/8W J	1	
	R445	NRSA63J-0R0X	MG RESISTOR	0Ω 1/10W J	1	
	R447	NRS181J-0R0X	MG RESISTOR	0Ω 1/8W J	1	
	R448	NRS181J-0R0X	MG RESISTOR	0Ω 1/8W J	1	
	R449	NRSA63J-0R0X	MG RESISTOR	0Ω 1/10W J	1	
	R450	NRS181J-0R0X	MG RESISTOR	0Ω 1/8W J	1	
	R451	NRS181J-0R0X	MG RESISTOR	0Ω 1/8W J	1	
	R452	NRSA63J-0R0X	MG RESISTOR	0Ω 1/10W J	1	
	R453	NRS181J-0R0X	MG RESISTOR	0Ω 1/8W J	1	
	R455	NRS181J-0R0X	MG RESISTOR	0Ω 1/8W J	1	
	R456	NRSA63J-0R0X	MG RESISTOR	0Ω 1/10W J	1	
	R457	NRS181J-0R0X	MG RESISTOR	0Ω 1/8W J	1	
	R458	NRS181J-0R0X	MG RESISTOR	0Ω 1/8W J	1	
	R460	NRS181J-0R0X	MG RESISTOR	0Ω 1/8W J	1	
	R461	NRSA63J-0R0X	MG RESISTOR	0Ω 1/10W J	1	
	R462	NRSA02J-0R0X	MG RESISTOR	0Ω 1/10W J	1	
	R465	NRSA63J-0R0X	MG RESISTOR	0Ω 1/10W J	1	
	R467	NRSA63J-0R0X	MG RESISTOR	0Ω 1/10W J	1	
	R468	NRS181J-0R0X	MG RESISTOR	0Ω 1/8W J	1	
	R470	NRS181J-0R0X	MG RESISTOR	0Ω 1/8W J	1	

MODEL	MARK	MODEL	MARK	MODEL	MARK	MODEL	MARK
KDC-155U	K0	KDC-210U	K3	KDC-3057UR	E3	KDC-3057URY	E5
KDC-317UR	E4	KDC-3257URY	E6	KDC-3357UY	E7	KDC-3457UQ	E8
KDC-3757URM	M3	KDC-4057UB	E1	KDC-4057UR	E2	KDC-MP155U	K1
KDC-MP2055U	C0	KDC-U3556	M2	KDC-U4556	M1		

Safe	Symbol No.	Parts No.	Parts Name	Description	QTY	Local
	R471	NRSA63J-0R0X	MG RESISTOR	0Ω 1/10W J	1	
	R472	NRS181J-0R0X	MG RESISTOR	0Ω 1/8W J	1	
	R475	NRS181J-0R0X	MG RESISTOR	0Ω 1/8W J	1	
	R477	NRSA63J-0R0X	MG RESISTOR	0Ω 1/10W J	1	
	R478	NRS181J-0R0X	MG RESISTOR	0Ω 1/8W J	1	
	R479	NRSA63J-0R0X	MG RESISTOR	0Ω 1/10W J	1	
	R483	NRSA63J-0R0X	MG RESISTOR	0Ω 1/10W J	1	
	R488	NRS181J-0R0X	MG RESISTOR	0Ω 1/8W J	1	
	R489	NRS181J-0R0X	MG RESISTOR	0Ω 1/8W J	1	
	R490	NRS181J-0R0X	MG RESISTOR	0Ω 1/8W J	1	
	R498	NRSA63J-0R0X	MG RESISTOR	0Ω 1/10W J	1	
	R501	NRSA63J-114X	MG RESISTOR	110kΩ 1/16W J	1	
	R502	NRS181J-101X	MG RESISTOR	100Ω 1/8W J	1	
	R503	NRS181J-101X	MG RESISTOR	100Ω 1/8W J	1	
	R504	NRSA63J-274X	MG RESISTOR	270kΩ 1/16W J	1	
	R505	NRSA63J-104X	MG RESISTOR	100kΩ 1/16W J	1	
	R506	NRSA63J-303X	MG RESISTOR	30kΩ 1/16W J	1	
	R507	NRSA63J-563X	MG RESISTOR	56kΩ 1/16W J	1	
	R508	NRSA63J-0R0X	MG RESISTOR	0Ω 1/10W J	1	
	R509	NRSA63J-0R0X	MG RESISTOR	0Ω 1/10W J	1	
	R510	NRSA63J-473X	MG RESISTOR	47kΩ 1/16W J	1	
	R511	NRSA63J-133X	MG RESISTOR	13kΩ 1/16W J	1	
	R512	NRSA63J-0R0X	MG RESISTOR	0Ω 1/10W J	1	
	R513	NRSA63J-0R0X	MG RESISTOR	0Ω 1/10W J	1	
	R516	NRSA63J-333X	MG RESISTOR	33kΩ 1/16W J	1	
	R518	NRS181J-101X	MG RESISTOR	100Ω 1/8W J	1	
	R519	NRSA63J-333X	MG RESISTOR	33kΩ 1/16W J	1	
	R520	NRSA63J-332X	MG RESISTOR	3.3kΩ 1/16W J	1	
	R521	NRSA63J-681X	MG RESISTOR	680Ω 1/16W J	1	
	R522	NRSA63J-681X	MG RESISTOR	680Ω 1/16W J	1	
	R530	NRS181J-0R0X	MG RESISTOR	0Ω 1/8W J	1	
	R534	NRS181J-473X	MG RESISTOR	47kΩ 1/8W J	1	
	R539	NRSA63J-0R0X	MG RESISTOR	0Ω 1/10W J	1	
	R540	NRSA63J-221X	MG RESISTOR	220Ω 1/16W J	1	
	R545	NRSA63J-225X	MG RESISTOR	2.2MΩ 1/16W J	1	
	R547	NRSA63J-4R7X	MG RESISTOR	4.7Ω 1/16W J	1	
	R548	NRSA63J-104X	MG RESISTOR	100kΩ 1/16W J	1	
	R549	NRSA63J-102X	MG RESISTOR	1kΩ 1/16W J	1	
	R550	NRSA63J-472X	MG RESISTOR	4.7kΩ 1/16W J	1	
	R553	NRSA63J-473X	MG RESISTOR	47kΩ 1/16W J	1	
	R554	NRSA02J-4R7X	MG RESISTOR	4.7Ω 1/10W J	1	
	R555	NRSA02J-4R7X	MG RESISTOR	4.7Ω 1/10W J	1	
	R556	NRSA63J-0R0X	MG RESISTOR	0Ω 1/10W J	1	
	R557	NRSA63J-471X	MG RESISTOR	470Ω 1/16W J	1	
	R558	NRSA63J-105X	MG RESISTOR	1MΩ 1/16W J	1	
	R559	NRSA63J-101X	MG RESISTOR	100Ω 1/16W J	1	
	R560	NRSA63J-101X	MG RESISTOR	100Ω 1/16W J	1	
	R561	NRSA63J-101X	MG RESISTOR	100Ω 1/16W J	1	
	R565	NRSA63J-103X	MG RESISTOR	10kΩ 1/16W J	1	
	R566	NRSA63J-103X	MG RESISTOR	10kΩ 1/16W J	1	
	R567	NRS181J-101X	MG RESISTOR	100Ω 1/8W J	1	
	R568	NRS181J-101X	MG RESISTOR	100Ω 1/8W J	1	
	R569	NRS181J-101X	MG RESISTOR	100Ω 1/8W J	1	
	R570	NRSA63J-101X	MG RESISTOR	100Ω 1/16W J	1	
	R571	NRSA63J-103X	MG RESISTOR	10kΩ 1/16W J	1	
	R572	NRSA63J-104X	MG RESISTOR	100kΩ 1/16W J	1	
	R573	NRSA63J-334X	MG RESISTOR	330kΩ 1/16W J	1	
	R574	NRSA63J-153X	MG RESISTOR	15kΩ 1/16W J	1	
	R575	NRS181J-332X	MG RESISTOR	3.3kΩ 1/8W J	1	
	R576	NRSA63J-103X	MG RESISTOR	10kΩ 1/16W J	1	
	R577	NRSA63J-103X	MG RESISTOR	10kΩ 1/16W J	1	
	R586	NRS181J-1R0X	MG RESISTOR	1Ω 1/8W J	1	
	R595	NRSA63J-202X	MG RESISTOR	2kΩ 1/16W J	1	
	R596	NRSA63J-202X	MG RESISTOR	2kΩ 1/16W J	1	
	R701	NRS181J-0R0X	MG RESISTOR	0Ω 1/8W J	1	
	R702	NRSA63J-222X	MG RESISTOR	2.2kΩ 1/16W J	1	
	R703	NRSA63J-911X	MG RESISTOR	910Ω 1/16W J	1	
	R704	NRSA63J-911X	MG RESISTOR	910Ω 1/16W J	1	
	R705	NRSA63J-222X	MG RESISTOR	2.2kΩ 1/16W J	1	
	R706	NRSA63J-911X	MG RESISTOR	910Ω 1/16W J	1	
	R709	NRS181J-911X	MG RESISTOR	910Ω 1/8W J	1	
	R712	NRSA63J-911X	MG RESISTOR	910Ω 1/16W J	1	
	R718	NRS181J-473X	MG RESISTOR	47kΩ 1/8W J	1	
	R720	NRSA63J-473X	MG RESISTOR	47kΩ 1/16W J	1	
	R721	NRSA63J-105X	MG RESISTOR	1MΩ 1/16W J	1	
	R722	NRSA63J-473X	MG RESISTOR	47kΩ 1/16W J	1	
	R723	NRSA63J-473X	MG RESISTOR	47kΩ 1/16W J	1	
	R725	NRSA63J-473X	MG RESISTOR	47kΩ 1/16W J	1	
	R726	NRSA63J-473X	MG RESISTOR	47kΩ 1/16W J	1	
	R727	NRSA63J-473X	MG RESISTOR	47kΩ 1/16W J	1	
	R728	NRSA63J-473X	MG RESISTOR	47kΩ 1/16W J	1	
	R730	NRSA63J-473X	MG RESISTOR	47kΩ 1/16W J	1	
	R731	NRSA63J-473X	MG RESISTOR	47kΩ 1/16W J	1	
	R732	NRSA63J-101X	MG RESISTOR	100Ω 1/16W J	1	
	R733	NRSA63J-0R0X	MG RESISTOR	0Ω 1/10W J	1	
	R735	NRSA63J-473X	MG RESISTOR	47kΩ 1/16W J	1	
	R736	NRS181J-473X	MG RESISTOR	47kΩ 1/8W J	1	
	R737	NRSA63J-911X	MG RESISTOR	910Ω 1/16W J	1	
	R738	NRSA63J-222X	MG RESISTOR	2.2kΩ 1/16W J	1	
	R739	NRSA63J-103X	MG RESISTOR	10kΩ 1/16W J	1	
	R740	NRSA63J-103X	MG RESISTOR	10kΩ 1/16W J	1	

MODEL	MARK	MODEL	MARK	MODEL	MARK	MODEL	MARK
KDC-155U	K0	KDC-210U	K3	KDC-3057UR	E3	KDC-3057URY	E5
KDC-317UR	E4	KDC-3257URY	E6	KDC-3357UY	E7	KDC-3457UQ	E8
KDC-3757URM	M3	KDC-4057UB	E1	KDC-4057UR	E2	KDC-MP155U	K1
KDC-MP2055U	C0	KDC-U3556	M2	KDC-U4556	M1		

Safe	Symbol No.	Parts No.	Parts Name	Description	QTY	Local
	R741	NRSA63J-103X	MG RESISTOR	10kΩ 1/16W J	1	
	R742	NRSA63J-473X	MG RESISTOR	47kΩ 1/16W J	1	
	R743	NRSA63J-473X	MG RESISTOR	47kΩ 1/16W J	1	
	R745	NRSA63J-101X	MG RESISTOR	100Ω 1/16W J	1	
	R746	NRSA63J-473X	MG RESISTOR	47kΩ 1/16W J	1	
	R747	NRS181J-243X	MG RESISTOR	24kΩ 1/8W J	1	
	R749	NRSA63J-222X	MG RESISTOR	2.2kΩ 1/16W J	1	
	R750	NRSA63J-222X	MG RESISTOR	2.2kΩ 1/16W J	1	
	R751	NRSA63J-223X	MG RESISTOR	22kΩ 1/16W J	1	K0,K3,E1,E2,M1
	R753	NRSA63J-332X	MG RESISTOR	3.3kΩ 1/16W J	1	
	R754	NRSA63J-332X	MG RESISTOR	3.3kΩ 1/16W J	1	
	R757	NRSA63J-104X	MG RESISTOR	100kΩ 1/16W J	1	
	R758	NRSA63J-104X	MG RESISTOR	100kΩ 1/16W J	1	
	R759	NRSA63J-473X	MG RESISTOR	47kΩ 1/16W J	1	
	R763	NRSA63J-473X	MG RESISTOR	47kΩ 1/16W J	1	
	R764	NRSA63J-393X	MG RESISTOR	39kΩ 1/16W J	1	E3,E5,E4,E6,E7,E8,M3
	R764	NRSA63J-333X	MG RESISTOR	33kΩ 1/16W J	1	E1,E2
	R765	NRSA63J-273X	MG RESISTOR	27kΩ 1/16W J	1	M2,M1
	R765	NRSA63J-393X	MG RESISTOR	39kΩ 1/16W J	1	K0,K3,E1,E2,M1
	R765	NRSA63J-333X	MG RESISTOR	33kΩ 1/16W J	1	E7,C0
	R766	NRSA63J-473X	MG RESISTOR	47kΩ 1/16W J	1	E8
	R766	NRSA63J-822X	MG RESISTOR	8.2kΩ 1/16W J	1	K0,K3,K1,C0
	R766	NRSA63J-153X	MG RESISTOR	15kΩ 1/16W J	1	E3,E5,E4,E6,E7,E8,M3
	R767	NRSA63J-223X	MG RESISTOR	22kΩ 1/16W J	1	E1,E2
	R767	NRSA63J-473X	MG RESISTOR	47kΩ 1/16W J	1	M2,M1
	R767	NRSA63J-822X	MG RESISTOR	8.2kΩ 1/16W J	1	K0,K3,E1,E2,M1
	R767	NRSA63J-153X	MG RESISTOR	15kΩ 1/16W J	1	E3,E5,E4,E6,M3,K1,M2
	R768	NRSA63J-473X	MG RESISTOR	47kΩ 1/16W J	1	E7,C0
	R770	NRSA63J-472X	MG RESISTOR	4.7kΩ 1/16W J	1	E8
	R771	NRSA63J-472X	MG RESISTOR	4.7kΩ 1/16W J	1	
	R772	NRSA63J-472X	MG RESISTOR	4.7kΩ 1/16W J	1	
	R773	NRSA63J-472X	MG RESISTOR	4.7kΩ 1/16W J	1	
	R774	NRSA63J-472X	MG RESISTOR	4.7kΩ 1/16W J	1	
	R775	NRSA63J-153X	MG RESISTOR	15kΩ 1/16W J	1	
	R776	NRSA63J-153X	MG RESISTOR	15kΩ 1/16W J	1	
	R777	NRSA63J-102X	MG RESISTOR	1kΩ 1/16W J	1	
	R778	NRSA63J-271X	MG RESISTOR	270Ω 1/16W J	1	
	R779	NRSA63J-271X	MG RESISTOR	270Ω 1/16W J	1	
	R780	NRSA63J-473X	MG RESISTOR	47kΩ 1/16W J	1	
	R781	NRSA63J-331X	MG RESISTOR	330Ω 1/16W J	1	
	R782	NRSA63J-821X	MG RESISTOR	820Ω 1/16W J	1	
	R783	NRSA63J-104X	MG RESISTOR	100kΩ 1/16W J	1	
	R784	NRSA63J-103X	MG RESISTOR	10kΩ 1/16W J	1	
	R785	NRSA63J-563X	MG RESISTOR	56kΩ 1/16W J	1	K0,K3,E7,M3,K1,C0,M2
	R785	NRSA63J-333X	MG RESISTOR	33kΩ 1/16W J	1	M1
	R786	NRSA63J-103X	MG RESISTOR	10kΩ 1/16W J	1	E3,E5,E4,E6,E8,E1,E2
	R789	NRSA63J-270X	MG RESISTOR	27Ω 1/16W J	1	
	R790	NRSA63J-270X	MG RESISTOR	27Ω 1/16W J	1	
	R793	NRS181J-0R0X	MG RESISTOR	0Ω 1/8W J	1	
	R794	NRSA63J-300X	MG RESISTOR	30Ω 1/16W J	1	
	R795	NRSA63J-103X	MG RESISTOR	10kΩ 1/16W J	1	
	R796	NRSA63J-103X	MG RESISTOR	10kΩ 1/16W J	1	
	R797	NRS181J-103X	MG RESISTOR	10kΩ 1/8W J	1	
	R851	NRSA63J-472X	MG RESISTOR	4.7kΩ 1/16W J	1	E3,E5,E4,E6,E7,E8,M3
	R891	NRSA63J-103X	MG RESISTOR	10kΩ 1/16W J	1	E1,E2,M2,M1
	R892	NRSA63J-683X	MG RESISTOR	68kΩ 1/16W J	1	
	R893	NRS181J-123X	MG RESISTOR	12kΩ 1/8W J	1	
	R894	NRS181J-0R0X	MG RESISTOR	0Ω 1/8W J	1	
	R901	NRS181J-682X	MG RESISTOR	6.8kΩ 1/8W J	1	
	R902	NRS181J-682X	MG RESISTOR	6.8kΩ 1/8W J	1	
	R905	NRS181J-103X	MG RESISTOR	10kΩ 1/8W J	1	
	R906	NRSA63J-562X	MG RESISTOR	5.6kΩ 1/16W J	1	
	R907	NRSA63J-155X	MG RESISTOR	1.5MΩ 1/16W J	1	
	R908	NRSA63J-472X	MG RESISTOR	4.7kΩ 1/16W J	1	
	R909	NRSA63J-273X	MG RESISTOR	27kΩ 1/16W J	1	
	R941	NRS181J-472X	MG RESISTOR	4.7kΩ 1/8W J	1	
	R951	NRSA63J-102X	MG RESISTOR	1kΩ 1/16W J	1	
	R952	NRSA63J-331X	MG RESISTOR	330Ω 1/16W J	1	
	R970	NRSA63J-473X	MG RESISTOR	47kΩ 1/16W J	1	
	R971	NRSA63J-103X	MG RESISTOR	10kΩ 1/16W J	1	
	R972	NRSA63J-103X	MG RESISTOR	10kΩ 1/16W J	1	
	R973	NRSA63J-203X	MG RESISTOR	20kΩ 1/16W J	1	
	R974	NRSA63J-473X	MG RESISTOR	47kΩ 1/16W J	1	
	R975	NRSA02J-473X	MG RESISTOR	47kΩ 1/10W J	1	
	R976	NRSA02J-683X	MG RESISTOR	68kΩ 1/10W J	1	
	R980	NRSA63J-0R0X	MG RESISTOR	0Ω 1/10W J	1	
	R981	NRSA63D-913X	MG RESISTOR	91kΩ 1/16W D	1	
	R982	NRSA63D-273X	MG RESISTOR	27kΩ 1/16W D	1	
	R983	NRSA63J-472X	MG RESISTOR	4.7kΩ 1/16W J	1	
	R985	NRS181J-220X	MG RESISTOR	22Ω 1/8W J	1	
	R986	NRSA63D-114X	MG RESISTOR	110kΩ 1/16W D	1	
	R987	NRSA63J-103X	MG RESISTOR	10kΩ 1/16W J	1	
	R990	NRSA63J-0R0X	MG RESISTOR	0Ω 1/10W J	1	
	L1	NQL093K-R47X	PEAKING COIL	0.47uH K	1	K0,K3,E3,E5,E4,E6,E7
	L1	NQL093K-1R0X	PEAKING COIL	1uH K	1	E8,M3,E1,E2,K1,C0
	L2	NQL093K-1R8X	PEAKING COIL	1.8uH K	1	M2,M1
						K0,K3,E3,E5,E4,E6,E7

MODEL	MARK	MODEL	MARK	MODEL	MARK	MODEL	MARK
KDC-155U	K0	KDC-210U	K3	KDC-3057UR	E3	KDC-3057URY	E5
KDC-317UR	E4	KDC-3257URY	E6	KDC-3357UY	E7	KDC-3457UQ	E8
KDC-3757URM	M3	KDC-4057UB	E1	KDC-4057UR	E2	KDC-MP155U	K1
KDC-MP2055U	C0	KDC-U3556	M2	KDC-U4556	M1		

Safe	Symbol No.	Parts No.	Parts Name	Description	QTY	Local
						,E8,M3,E1,E2,K1,C0
	L2	NQL093K-3R3X	PEAKING COIL	3.3uH K	1	M2,M1
	L3	NQL093K-R27X	PEAKING COIL	0.27uH K	1	
	L4	QQR1872-001	RF COIL		1	
	L5	NQL114K-561X	PEAKING COIL	560uH K	1	
	L6	NQL114K-561X	PEAKING COIL	560uH K	1	
	L7	NQL79GM-4R7X	INDUCTOR	4.7uH M	1	
	L8	NQL093K-4R7X	PEAKING COIL	4.7uH K	1	K0,K3,E3,E5,E4,E6,E7 ,E8,M3,E1,E2,K1,C0
	L9	NQL093K-R47X	PEAKING COIL	0.47uH K	1	
	L10	NQL103J-10NX	INDUCTOR	10nH J	1	K0,K3,K1,C0
	L11	NQR0251-002X	FERRITE BEADS		1	
	L12	NQR0251-002X	FERRITE BEADS		1	
	L531	NQR0154-006X	FERRITE BEADS		1	
	L561	NQR0154-006X	FERRITE BEADS		1	
	L562	NQR0154-006X	FERRITE BEADS		1	
	L701	NQL79GM-4R7X	INDUCTOR	4.7uH M	1	
	L702	NQR0154-006X	FERRITE BEADS		1	
	L703	NQR0154-006X	FERRITE BEADS		1	
	L704	NQR0154-006X	FERRITE BEADS		1	
	L901	QQR1882-001	CHOKO COIL		1	
	L981	QQL92AK-220Z	INDUCTOR	22uH K	1	K0,K3,E3,E5,E4,E6,E7 ,E8,M3,E1,E2,K1,C0
	L981	QQLA1AM-220	INDUCTOR	22uH M	1	M2,M1
	L982	NQLH25M-4R7X	INDUCTOR	4.7uH M	1	
	CN502	QGF1040F1-26	FFC/FPC CONNECTOR	FFC/FPC (1-26)	1	
	CN701	QGZ1102J1-20	DETACH CONNECTOR	(1-20)	1	
	CN901	QNZ0607-001	CAR CONNECTOR		1	
	J1	QNB0358-001	ANT TERMINAL		1	
	J321	QNN0874-001	PIN JACK		1	K0,K3,E3,E5,E4,E8,E1 ,E2,C0
	J321	QNN0868-001	PIN JACK		1	E6,E7,M3,K1,M2
	J321	QNN0866-001	PIN JACK		1	M1
	S701	QSW0648-001Z	TACT SWITCH		1	
	X1	QAX0952-001Z	CRYSTAL		1	
	X540	QAX0929-001Z	C RESONATOR		1	
	X701	QAX0968-001Z	CRYSTAL		1	
	X702	QAX0401-001	CRYSTAL	32.768KHz	1	
<b>DAUGHTER UNIT (X89-3130-10) &lt;X89&gt;</b>						
	IC80	MFI337S3959-X	MICROPROCESSOR IC		1	K0,K3,E1,E2,M1
	C80	NCB31HK-104X	C CAPACITOR	0.1uF 50V K	1	K0,K3,E1,E2,M1
	CN80	QGG2521M1-03	HEADER PIN	(1-3)	1	K0,K3,E1,E2,M1
	CN81	QGG2504M5-02	HEADER PIN	(1-2)	1	K0,K3,E1,E2,M1
<b>SWITCH UNIT (X16-7xxx-xx) &lt;X16&gt;</b>						
	IC602	KSM-2003TN5B	IR SENSOR		1	K0,K3,E7,M3,K1,C0,M2 ,M1
	IC603	TPS2065CDBV-X	IC(MOS-IC)		1	
	Q601	LTA014EUB-X	DIGI TRANSISTOR		1	
	Q602	LTA014EUB-X	DIGI TRANSISTOR		1	
	Q603	LTA014EUB-X	DIGI TRANSISTOR		1	
	Q604	LTA014EUB-X	DIGI TRANSISTOR		1	K0,K3,E7,M3,K1,C0,M2 ,M1
	Q605	LTC014EUB-X	DIGI TRANSISTOR		1	K0,K3,E7,M3,K1,C0,M2 ,M1
	Q606	2SC6046-X	TRANSISTOR		1	E7,E8,K1
	Q607	2SC6046-X	TRANSISTOR		1	E7,E8,K1
	D601	DZ2J051/M/-X	ZENER DIODE		1	K0,K3,E7,M3,K1,C0,M2 ,M1
	D602	DZ2J051/M/-X	ZENER DIODE		1	
	D603	DZ2J051/M/-X	ZENER DIODE		1	
	D604	DZ2J051/M/-X	ZENER DIODE		1	
	D605	DZ2J051/M/-X	ZENER DIODE		1	
	D606	DZ2J051/M/-X	ZENER DIODE		1	
	D607	DZ2J051/M/-X	ZENER DIODE		1	
	D608	DZ2J051/M/-X	ZENER DIODE		1	
	D609	DZ2J051/M/-X	ZENER DIODE		1	
	D610	DZ2J051/M/-X	ZENER DIODE		1	
	D623	MBRX130-TP-X	SB DIODE		1	
	D650	SML-310VT-X	LED		1	
	D651	SML-D12V8W-X	LED		1	K0,E3,E5,E4,E6,M3,E2 ,K1,M2
	D651	SML-D12D8W-X	LED		1	K3
	D651	SML-D12P8W-X	LED		1	E7,E8
	D651	QSMR-C13/BCMNX	LED		1	E1,C0
	D651	QSMW-C13S-X	LED		1	M1
	D652	SML-D12V8W-X	LED		1	K0,E3,E5,E4,E6,E7,E8 ,M3,E2,K1,M2
	D652	SML-D12D8W-X	LED		1	K3
	D652	QSMR-C13/BCMNX	LED		1	E1,C0
	D652	QSMW-C13S-X	LED		1	M1
	D653	SML-D12P8W-X	LED		1	E7,E8
	D655	SML-D12P8W-X	LED		1	E7,E8
	D656	SML-D12P8W-X	LED		1	E7,E8
	D657	SML-D12V8W-X	LED		1	K0,E3,E5,E4,E6,E7,E8 ,M3,E2,K1,M2
	D657	SML-D12D8W-X	LED		1	K3
	D657	QSMR-C13/BCMNX	LED		1	E1,C0
	D657	QSMW-C13S-X	LED		1	M1
	D658	SML-D12V8W-X	LED		1	K0,E3,E5,E4,E6,E7,E8 ,M3,E2,K1,M2

MODEL	MARK	MODEL	MARK	MODEL	MARK	MODEL	MARK
KDC-155U	K0	KDC-210U	K3	KDC-3057UR	E3	KDC-3057URY	E5
KDC-317UR	E4	KDC-3257URY	E6	KDC-3357UY	E7	KDC-3457UQ	E8
KDC-3757URM	M3	KDC-4057UB	E1	KDC-4057UR	E2	KDC-MP155U	K1
KDC-MP2055U	C0	KDC-U3556	M2	KDC-U4556	M1		

Safe	Symbol No.	Parts No.	Parts Name	Description	QTY	Local
	D658	SML-D12D8W-X	LED		1	K3
	D658	QSMR-C13/BCMNX	LED		1	E1,C0
	D658	QSMW-C13S-X	LED		1	M1
	D659	SML-D12P8W-X	LED		1	E7,E8
	D660	SML-D12P8W-X	LED		1	E7,E8
	D661	SML-D12V8W-X	LED		1	K0,E3,E5,E4,E6,M3,E2 ,K1,C0,M2
	D661	SML-D12D8W-X	LED		1	K3
	D661	SML-D12P8W-X	LED		1	E7,E8
	D661	QSMR-C13/BCMNX	LED		1	E1
	D661	QSMW-C13S-X	LED		1	M1
	D662	SML-D12V8W-X	LED		1	K0,E3,E5,E4,E6,M3,E2 ,K1,C0,M2
	D662	SML-D12D8W-X	LED		1	K3
	D662	SML-D12P8W-X	LED		1	E7,E8
	D662	QSMR-C13/BCMNX	LED		1	E1
	D662	QSMW-C13S-X	LED		1	M1
	D663	SML-D12V8W-X	LED		1	K0,E3,E5,E4,E6,M3,E2 ,K1,C0,M2
	D663	SML-D12D8W-X	LED		1	K3
	D663	SML-D12P8W-X	LED		1	E7,E8
	D663	QSMR-C13/BCMNX	LED		1	E1
	D663	QSMW-C13S-X	LED		1	M1
	D664	SML-D12V8W-X	LED		1	K0,E3,E5,E4,E6,M3,E2 ,K1,C0,M2
	D664	SML-D12D8W-X	LED		1	K3
	D664	SML-D12P8W-X	LED		1	E7,E8
	D664	QSMR-C13/BCMNX	LED		1	E1
	D664	QSMW-C13S-X	LED		1	M1
	D665	SML-D12V8W-X	LED		1	K0,E3,E5,E4,E6,M3,E2 ,K1,C0,M2
	D665	SML-D12D8W-X	LED		1	K3
	D665	SML-D12P8W-X	LED		1	E7,E8
	D665	QSMR-C13/BCMNX	LED		1	E1
	D665	QSMW-C13S-X	LED		1	M1
	D666	SML-D12V8W-X	LED		1	K0,E3,E5,E4,E6,E7,E8 ,M3,E2,K1,M2
	D666	SML-D12D8W-X	LED		1	K3
	D666	QSMR-C13/BCMNX	LED		1	E1,C0
	D666	QSMW-C13S-X	LED		1	M1
	D667	SML-D12V8W-X	LED		1	K0,E3,E5,E4,E6,E7,E8 ,M3,E2,K1,M2
	D667	SML-D12D8W-X	LED		1	K3
	D667	QSMR-C13/BCMNX	LED		1	E1,C0
	D667	QSMW-C13S-X	LED		1	M1
	D668	SML-D12V8W-X	LED		1	E7,E8
	D669	SML-D12V8W-X	LED		1	E7,E8
	D670	SML-D12V8W-X	LED		1	E7,E8
	D670	SML-D12P8W-X	LED		1	E7,E8
	D673	SML-D12V8W-X	LED		1	K0,E3,E5,E4,E6,E7,E8 ,M3,E2,K1,M2
	D673	SML-D12D8W-X	LED		1	K3
	D673	QSMR-C13/BCMNX	LED		1	E1,C0
	D673	QSMW-C13S-X	LED		1	M1
	D674	SML-D12P8W-X	LED		1	E7,E8
	D675	SML-D12P8W-X	LED		1	E7,E8
	D676	SML-D12V8W-X	LED		1	K0,E3,E5,E4,E6,E7,E8 ,M3,E2,K1,M2
	D676	SML-D12D8W-X	LED		1	K3
	D676	QSMR-C13/BCMNX	LED		1	E1,C0
	D676	QSMW-C13S-X	LED		1	M1
	D677	SML-D12V8W-X	LED		1	E7,E8
	D678	SML-D12V8W-X	LED		1	E7,E8
	D679	SML-D12V8W-X	LED		1	E7,E8
	D680	SML-D12V8W-X	LED		1	E7,E8
	D681	SML-D12V8W-X	LED		1	E7,E8
	D682	SML-D12P8W-X	LED		1	E7,E8
	D683	SML-D12P8W-X	LED		1	E7,E8
	D684	SML-D12P8W-X	LED		1	E7,E8
	D685	SML-D12V8W-X	LED		1	K0,E3,E5,E4,E6,M3,E2 ,K1,C0,M2
	D685	SML-D12D8W-X	LED		1	K3
	D685	SML-D12P8W-X	LED		1	E7,E8
	D685	QSMR-C13/BCMNX	LED		1	E1
	D685	QSMW-C13S-X	LED		1	M1
	C601	NCB31HK-472X	C CAPACITOR	4700pF 50V K	1	
	C602	NCB31HK-472X	C CAPACITOR	4700pF 50V K	1	
	C603	NCJ11EK-106X-R	C CAPACITOR	10uF 25V	1	
	C604	NCJ11EK-106X-R	C CAPACITOR	10uF 25V	1	
	C611	NCB31HK-102X	C CAPACITOR	1000pF 50V K	1	
	C612	NCB31HK-471X	C CAPACITOR	470pF 50V K	1	
	C614	NCB31HK-471X	C CAPACITOR	470pF 50V K	1	
	C615	NCB31HK-102X	C CAPACITOR	1000pF 50V K	1	
	C616	NCB31HK-104X	C CAPACITOR	0.1uF 50V K	1	
	C617	NCB31HK-104X	C CAPACITOR	0.1uF 50V K	1	
	C618	NCB31HK-472X	C CAPACITOR	4700pF 50V K	1	
	C631	NDC31HJ-270X	C CAPACITOR	27pF 50V J	1	
	C632	NDC31HJ-270X	C CAPACITOR	27pF 50V J	1	
	C633	NCJ11EK-106X-R	C CAPACITOR	10uF 25V	1	
	C641	NCB31HK-104X	C CAPACITOR	0.1uF 50V K	1	K0,K3,E7,M3,K1,C0,M2 ,M1

MODEL	MARK	MODEL	MARK	MODEL	MARK	MODEL	MARK
KDC-155U	K0	KDC-210U	K3	KDC-3057UR	E3	KDC-3057URY	E5
KDC-317UR	E4	KDC-3257URY	E6	KDC-3357UY	E7	KDC-3457UQ	E8
KDC-3757URM	M3	KDC-4057UB	E1	KDC-4057UR	E2	KDC-MP155U	K1
KDC-MP2055U	C0	KDC-U3556	M2	KDC-U4556	M1		

Safe	Symbol No.	Parts No.	Parts Name	Description	QTY	Local
	R374	NRSA02J-152X	MG RESISTOR	1.5kΩ 1/10W J	1	K0,K3,E3,E5,E4,E6,M3 .E2,K1,C0,M2 E7,E8
	R374	NRSA02J-162X	MG RESISTOR	1.6kΩ 1/10W J	1	
	R375	NRSA02J-152X	MG RESISTOR	1.5kΩ 1/10W J	1	E7,E8
	R376	NRSA02J-162X	MG RESISTOR	1.6kΩ 1/10W J	1	K0,K3,E3,E5,E4,E6,M3 .E2,K1,M2
	R376	NRSA02J-152X	MG RESISTOR	1.5kΩ 1/10W J	1	E7,E8
	R377	NRSA02J-272X	MG RESISTOR	2.7kΩ 1/10W J	1	K0,K3,E3,E5,E4,E6,E7 .E8,M3,E2,K1,M2
	R378	NRSA02J-152X	MG RESISTOR	1.5kΩ 1/10W J	1	E7,E8
	R379	NRSA02J-152X	MG RESISTOR	1.5kΩ 1/10W J	1	E7,E8
	R380	NRSA02J-162X	MG RESISTOR	1.6kΩ 1/10W J	1	E7,E8
	R381	NRSA02J-162X	MG RESISTOR	1.6kΩ 1/10W J	1	E7,E8
	R382	NRSA02J-162X	MG RESISTOR	1.6kΩ 1/10W J	1	E7,E8
	R383	NRSA02J-162X	MG RESISTOR	1.6kΩ 1/10W J	1	E7,E8
	R384	NRSA02J-152X	MG RESISTOR	1.5kΩ 1/10W J	1	E7,E8
	R386	NRSA63J-0R0X	MG RESISTOR	0Ω 1/10W J	1	
	R387	NRSA63J-101X	MG RESISTOR	100Ω 1/16W J	1	
	R608	NRSA63J-0R0X	MG RESISTOR	0Ω 1/10W J	1	
	R611	NRSA63J-101X	MG RESISTOR	100Ω 1/16W J	1	
	R612	NRSA63J-101X	MG RESISTOR	100Ω 1/16W J	1	
	R614	NRSA63J-0R0X	MG RESISTOR	0Ω 1/10W J	1	
	R615	NRSA63J-101X	MG RESISTOR	100Ω 1/16W J	1	
	R616	NRSA63J-101X	MG RESISTOR	100Ω 1/16W J	1	
	R617	NRSA63J-473X	MG RESISTOR	47kΩ 1/16W J	1	
	R618	NRSA63J-101X	MG RESISTOR	100Ω 1/16W J	1	
	R619	NRSA63J-101X	MG RESISTOR	100Ω 1/16W J	1	
	R620	NRSA63J-101X	MG RESISTOR	100Ω 1/16W J	1	
	R622	NRSA63J-101X	MG RESISTOR	100Ω 1/16W J	1	
	R623	NRSA63J-101X	MG RESISTOR	100Ω 1/16W J	1	
	R624	NRSA63J-104X	MG RESISTOR	100kΩ 1/16W J	1	
	R625	NRSA63J-4R7X	MG RESISTOR	4.7Ω 1/16W J	1	
	R626	NRSA63J-473X	MG RESISTOR	47kΩ 1/16W J	1	
	R627	NRSA63J-473X	MG RESISTOR	47kΩ 1/16W J	1	
	R628	NRSA63J-473X	MG RESISTOR	47kΩ 1/16W J	1	
	R629	NRSA63J-103X	MG RESISTOR	10kΩ 1/16W J	1	
	R630	NRSA02J-2R4X	MG RESISTOR	2.4Ω 1/10W J	1	
	R631	NRSA02J-2R4X	MG RESISTOR	2.4Ω 1/10W J	1	
	R632	NRSA02J-2R4X	MG RESISTOR	2.4Ω 1/10W J	1	
	R633	NRSA02J-2R4X	MG RESISTOR	2.4Ω 1/10W J	1	
	R634	NRSA02J-2R4X	MG RESISTOR	2.4Ω 1/10W J	1	
	R635	NRSA02J-2R4X	MG RESISTOR	2.4Ω 1/10W J	1	
	R636	NRSA02J-3R0X	MG RESISTOR	3Ω 1/10W J	1	
	R637	NRSA63J-0R0X	MG RESISTOR	0Ω 1/10W J	1	K0,K3,E7,M3,K1,C0,M2 .M1
	R638	NRS181J-103X	MG RESISTOR	10kΩ 1/8W J	1	
	R641	NRSA63J-0R0X	MG RESISTOR	0Ω 1/10W J	1	
	R643	NRSA02J-152X	MG RESISTOR	1.5kΩ 1/10W J	1	K0,K3,E3,E5,E4,E6,M3 .E2,K1,M2
	R644	NRSA02J-152X	MG RESISTOR	1.5kΩ 1/10W J	1	K0,K3,E3,E5,E4,E6,E7 .E8,M3,E2,K1,M2
	R645	NRSA02J-152X	MG RESISTOR	1.5kΩ 1/10W J	1	K0,K3,E3,E5,E4,E6,E7 .E8,M3,E2,K1,C0,M2
	R646	NRSA02J-152X	MG RESISTOR	1.5kΩ 1/10W J	1	K0,K3,E3,E5,E4,E6,E7 .E8,M3,E2,K1,C0,M2
	R647	NRSA02J-122X	MG RESISTOR	1.2kΩ 1/10W J	1	K0,K3,E3,E5,E4,E6,M3 .E2,K1,C0,M2
	R647	NRSA02J-162X	MG RESISTOR	1.6kΩ 1/10W J	1	M1
	R648	NRSA02J-152X	MG RESISTOR	1.5kΩ 1/10W J	1	K0,K3,E3,E5,E4,E6,M3 .E2,K1,C0,M2
	R648	NRSA02J-162X	MG RESISTOR	1.6kΩ 1/10W J	1	E7,E8
	R650	NRSA02J-152X	MG RESISTOR	1.5kΩ 1/10W J	1	E7,E8
	R651	NRSA02J-102X	MG RESISTOR	1kΩ 1/10W J	1	K0,K3,E3,E5,E4,E6,E7 .E8,M3,E1,E2,C0,M2,M1
	R652	NRSA02J-222X	MG RESISTOR	2.2kΩ 1/10W J	1	E7,E8,K1
	R653	NRSA63J-0R0X	MG RESISTOR	0Ω 1/10W J	1	K0,K3,E3,E5,E4,E6,M3 .E1,E2,C0,M2,M1
	R654	NRSA02J-222X	MG RESISTOR	2.2kΩ 1/10W J	1	E7,E8,K1
	R655	NRSA63J-0R0X	MG RESISTOR	0Ω 1/10W J	1	K0,K3,E3,E5,E4,E6,M3 .E1,E2,C0,M2,M1
	R656	NRSA02J-152X	MG RESISTOR	1.5kΩ 1/10W J	1	K0,K3,E3,E5,E4,E6,M3 .E2,K1,M2,M1
	R656	NRSA02J-102X	MG RESISTOR	1kΩ 1/10W J	1	E7,E8,E1,C0
	R657	NRSA02J-152X	MG RESISTOR	1.5kΩ 1/10W J	1	K0,K3,E3,E5,E4,E6,E7 .E8,M3,E2,K1,M2
	R657	NRSA02J-102X	MG RESISTOR	1kΩ 1/10W J	1	E1,C0,M1
	R658	NRS181J-751X	MG RESISTOR	750Ω 1/8W J	1	E7,E8
	R659	NRS181J-821X	MG RESISTOR	820Ω 1/8W J	1	E7,E8
	R662	NRS181J-751X	MG RESISTOR	750Ω 1/8W J	1	E7,E8
	R663	NRS181J-751X	MG RESISTOR	750Ω 1/8W J	1	E7,E8
	R666	NRSA02J-152X	MG RESISTOR	1.5kΩ 1/10W J	1	K0,K3,E3,E5,E4,E6,E7 .E8,M3,E2,K1,C0,M2,M1
	R666	NRSA02J-122X	MG RESISTOR	1.2kΩ 1/10W J	1	E1
	R668	NRSA02J-152X	MG RESISTOR	1.5kΩ 1/10W J	1	K0,K3,E3,E5,E4,E6,E7 .E8,M3,E2,K1,C0,M2,M1
	R668	NRSA02J-122X	MG RESISTOR	1.2kΩ 1/10W J	1	E1
	R669	NRSA02J-122X	MG RESISTOR	1.2kΩ 1/10W J	1	K0,K3,E3,E5,E4,E6,M3 .E2,K1,C0,M2
	R669	NRSA02J-621X	MG RESISTOR	620Ω 1/10W J	1	E7,E8
	R669	NRSA02J-681X	MG RESISTOR	680Ω 1/10W J	1	E1
	R669	NRSA02J-162X	MG RESISTOR	1.6kΩ 1/10W J	1	M1

MODEL	MARK	MODEL	MARK	MODEL	MARK	MODEL	MARK
KDC-155U	K0	KDC-210U	K3	KDC-3057UR	E3	KDC-3057URY	E5
KDC-317UR	E4	KDC-3257URY	E6	KDC-3357UY	E7	KDC-3457UQ	E8
KDC-3757URM	M3	KDC-4057UB	E1	KDC-4057UR	E2	KDC-MP155U	K1
KDC-MP2055U	C0	KDC-U3556	M2	KDC-U4556	M1		

Safe	Symbol No.	Parts No.	Parts Name	Description	QTY	Local
	R670	NRSA02J-152X	MG RESISTOR	1.5kΩ 1/10W J	1	K0,K3,E3,E5,E4,E6,M3 .E2,K1,C0,M2
	R670	NRSA02J-162X	MG RESISTOR	1.6kΩ 1/10W J	1	E7,E8
	R670	NRSA02J-102X	MG RESISTOR	1kΩ 1/10W J	1	E1
	R670	NRSA02J-122X	MG RESISTOR	1.2kΩ 1/10W J	1	M1
	R672	NRS181J-911X	MG RESISTOR	910Ω 1/8W J	1	K0,K3,E3,E5,E4,E6,M3 .E2,K1,M2
	R672	NRS181J-751X	MG RESISTOR	750Ω 1/8W J	1	E7,E8
	R672	NRS181J-821X	MG RESISTOR	820Ω 1/8W J	1	E1,C0
	R672	NRS181J-122X	MG RESISTOR	1.2kΩ 1/8W J	1	M1
	R673	NRSA02J-152X	MG RESISTOR	1.5kΩ 1/10W J	1	E7,E8
	R674	NRSA02J-152X	MG RESISTOR	1.5kΩ 1/10W J	1	K0,K3,E3,E5,E4,E6,M3 .E2,K1,C0,M2,M1
	R674	NRSA02J-162X	MG RESISTOR	1.6kΩ 1/10W J	1	E7,E8
	R674	NRSA02J-102X	MG RESISTOR	1kΩ 1/10W J	1	E1
	R675	NRSA02J-152X	MG RESISTOR	1.5kΩ 1/10W J	1	E7,E8
	R677	NRSA02J-162X	MG RESISTOR	1.6kΩ 1/10W J	1	K0,K3,E3,E5,E4,E6,M3 .E2,K1,M2
	R677	NRSA02J-152X	MG RESISTOR	1.5kΩ 1/10W J	1	E7,E8,M1
	R677	NRSA02J-102X	MG RESISTOR	1kΩ 1/10W J	1	E1,C0
	R678	NRS181J-102X	MG RESISTOR	1kΩ 1/8W J	1	K0,K3,E3,E5,E4,E6,E7 .E8,M3,E2,K1,M2,M1
	R678	NRS181J-152X	MG RESISTOR	1.5kΩ 1/8W J	1	E1,C0
	R679	NRSA02J-272X	MG RESISTOR	2.7kΩ 1/10W J	1	K0,K3,E3,E5,E4,E6,E7 .E8,M3,E2,K1,M2
	R679	NRSA02J-152X	MG RESISTOR	1.5kΩ 1/10W J	1	E1,C0,M1
	R680	NRSA02J-152X	MG RESISTOR	1.5kΩ 1/10W J	1	E7,E8
	R681	NRSA02J-152X	MG RESISTOR	1.5kΩ 1/10W J	1	E7,E8
	R682	NRSA02J-162X	MG RESISTOR	1.6kΩ 1/10W J	1	E7,E8
	R683	NRSA02J-162X	MG RESISTOR	1.6kΩ 1/10W J	1	E7,E8
	R684	NRSA02J-162X	MG RESISTOR	1.6kΩ 1/10W J	1	E7,E8
	R685	NRS181J-751X	MG RESISTOR	750Ω 1/8W J	1	E7,E8
	R686	NRSA02J-162X	MG RESISTOR	1.6kΩ 1/10W J	1	E7,E8
	R687	NRSA02J-152X	MG RESISTOR	1.5kΩ 1/10W J	1	E7,E8
	R688	NRSA02J-102X	MG RESISTOR	1kΩ 1/10W J	1	K1
	R690	NRSA63J-101X	MG RESISTOR	100Ω 1/16W J	1	
	R691	NRSA63J-0R0X	MG RESISTOR	0Ω 1/10W J	1	
	R698	NRSA63J-0R0X	MG RESISTOR	0Ω 1/10W J	1	
	L601	NQR0007-002X	FERRITE BEADS		1	
	L602	NQR0007-002X	FERRITE BEADS		1	
	L603	NQR0007-002X	FERRITE BEADS		1	
	CN601	QGZ1102K3-20X	DETACH CONNECTOR	(1-20)	1	
	CN603	QNZ1076-001	USB CONNECTOR		1	
	EN601	QSW1288-001	ROTARY ENCODER		1	
	FL601	QLF0206-001	FL TUBE		1	
	J602	QNS0320-001	3.5 JACK		1	
	LF691	NQR0536-001X	CHOKE COIL		1	
	S601	NSW0246-001X	TACT SWITCH		1	
	S602	NSW0246-001X	TACT SWITCH		1	
	S603	NSW0246-001X	TACT SWITCH		1	
	S604	NSW0246-001X	TACT SWITCH		1	
	S605	NSW0246-001X	TACT SWITCH		1	
	S606	NSW0246-001X	TACT SWITCH		1	
	S607	NSW0246-001X	TACT SWITCH		1	
	S608	NSW0246-001X	TACT SWITCH		1	
	S609	NSW0246-001X	TACT SWITCH		1	
	S610	NSW0246-001X	TACT SWITCH		1	
	S611	NSW0246-001X	TACT SWITCH		1	
	S612	NSW0246-001X	TACT SWITCH		1	
	S613	NSW0246-001X	TACT SWITCH		1	
	S614	NSW0246-001X	TACT SWITCH		1	
<b>CD PLAYER UNIT (X32-6530-00) IN CD MECHA &lt;X32&gt;</b>						
	B1	NRS181J-0R0X	MG RESISTOR	0Ω 1/8W J	1	
	R1	NRSA63J-131X	MG RESISTOR	130Ω 1/16W J	1	
	CN101	QGF1044F2-26X	FFC/FPC CONNECTOR	FFC/FPC (1-26)	1	
	CN102	QGF0522F3-15W	FFC/FPC CONNECTOR	FFC/FPC (1-15)	1	
	SW1	S68-0931-05	PUSH SWITCH		1	
	SW2	S68-0931-05	PUSH SWITCH		1	
	SW3	S68-0931-05	PUSH SWITCH		1	
	SW4	S68-0931-05	PUSH SWITCH		1	