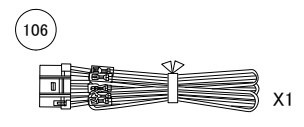
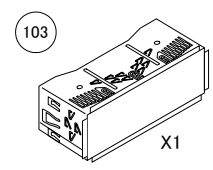
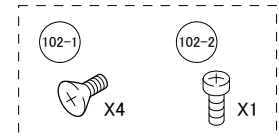
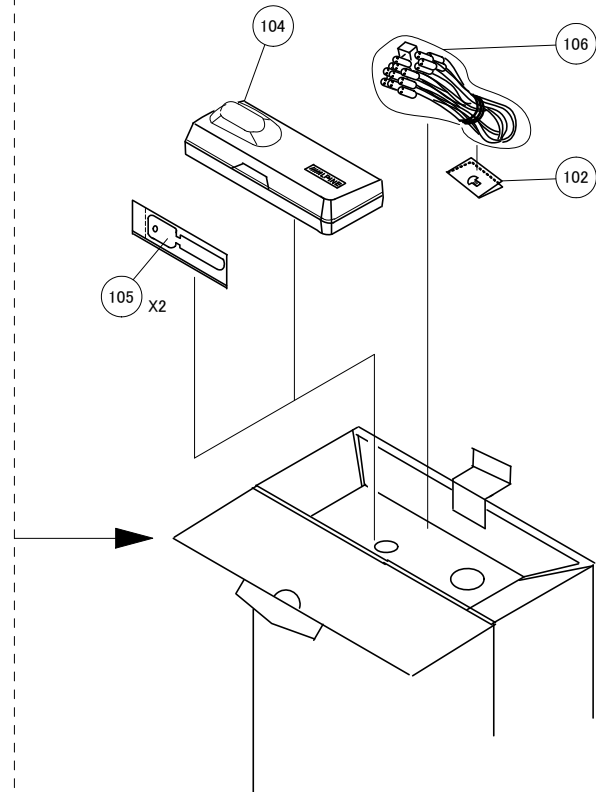
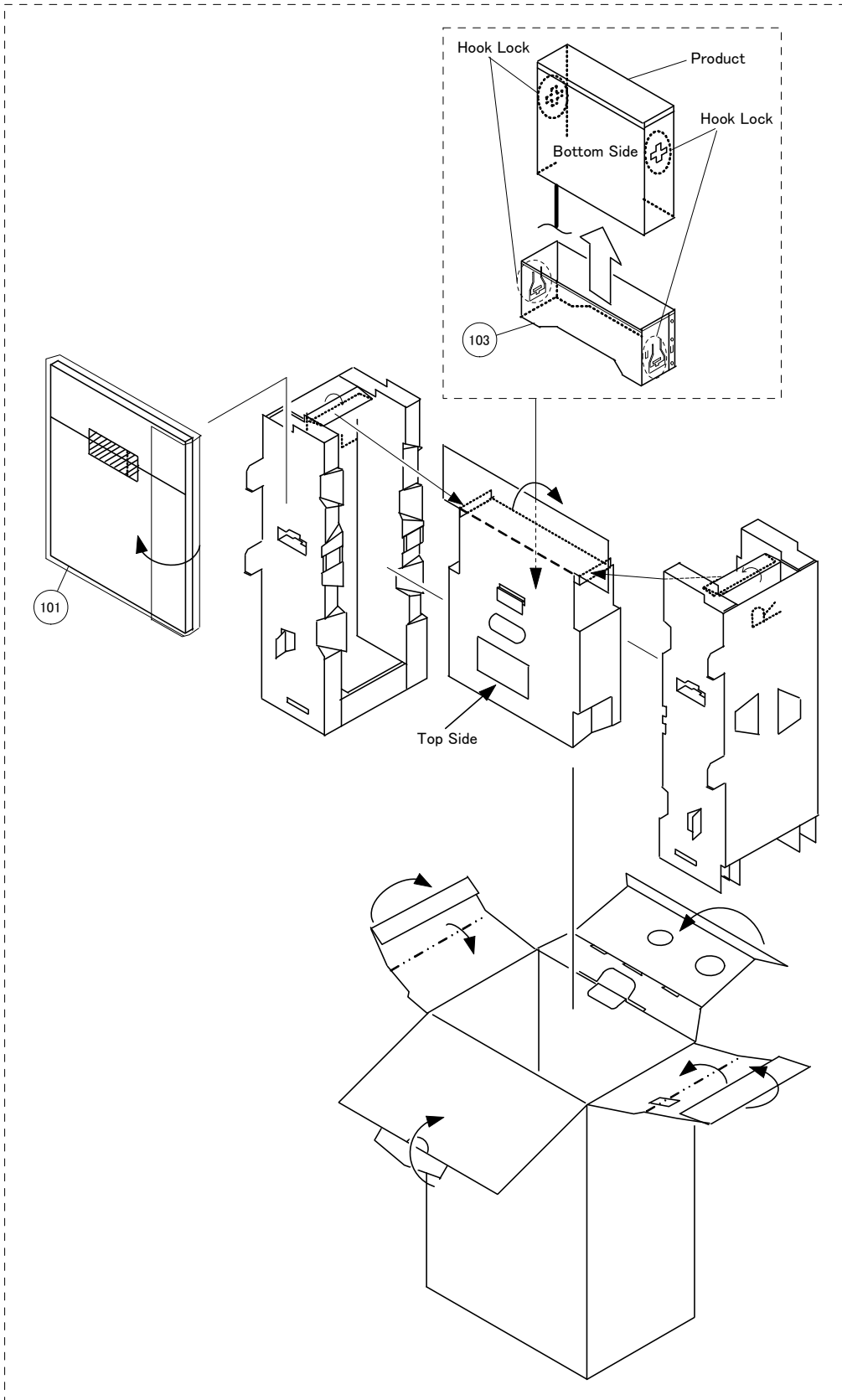


# PackingMethodView



MODEL	Symbol No.	Parts No.	Description
#1	<a href="#">101</a>	68-08564Z04	O/M AOAM AODN
\$1	<a href="#">101</a>	68-08564Z08	O/M AAO AODN
%1	<a href="#">101</a>	68-08564Z09	O/M AOCH AODN
&1	<a href="#">101</a>	68-08564Z07	O/M AOL AODN
	<a href="#">102-1</a>	03S60820Y16	SCR,MCH 5X8 ZN A
	<a href="#">102-2</a>	03S70691Y11	SCR,B-T 1.7X8 ZB A
	<a href="#">103</a>	15-01970Z01	CASE,INNER
	<a href="#">104</a>	15D01798K03	CARRYING,CASE
	<a href="#">105</a>	07-01964Z01	BKT,RELEASE
	<a href="#">106</a>	09-01538Z08	ASSY,POWER WIRE 48A

Mark Model Code

#1 CDE-9881 (North American) Only,

\$1 CDE-9881 (General Foreign) Only,

%1 CDE-9881 (Chinese) Only,

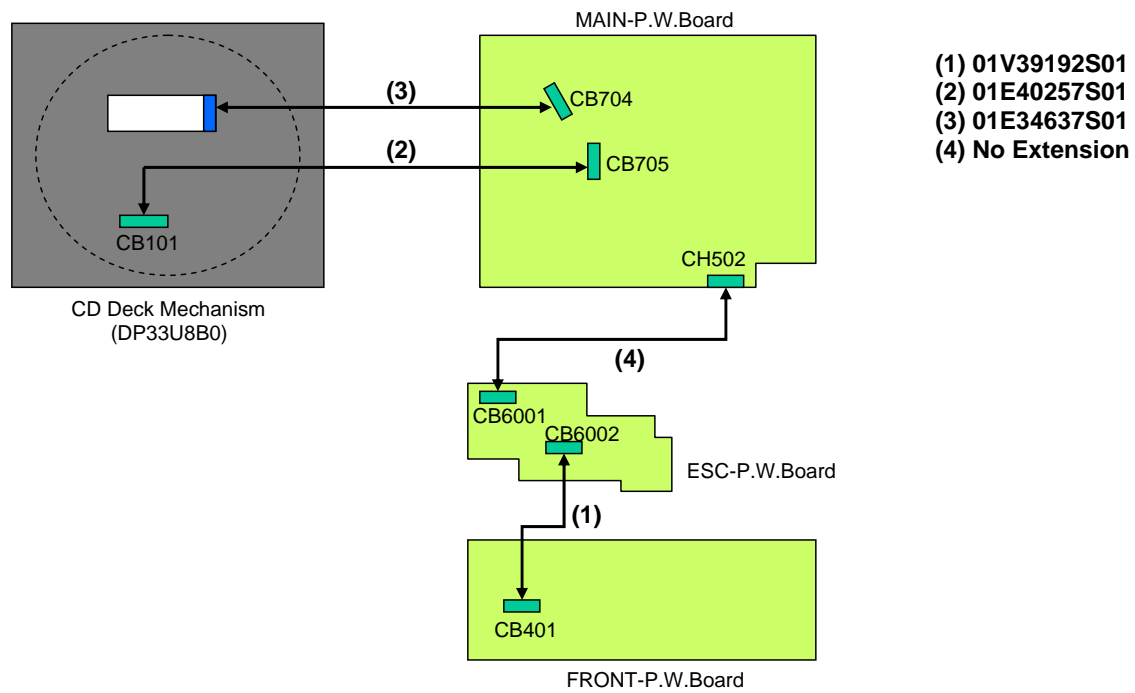
&1 CDE-9881L Only,

Others : Common.


NOTE : The part that has not PART NUMBER will not be supplied.

## Extension Cable

\*Always connect the Extension Cable when making checks of voltage and repair.



P.W.Board	MIS	MODEL	Ref.	Parts No.	Parts Name
-----------	-----	-------	------	-----------	------------

MAIN-P.W.Board			<a href="#">ANT001</a>	01T02127K08	ASSY,ANT CABLE 9805A
MAIN-P.W.Board			<a href="#">C001</a>	08S45676W80	CAP,CER 223K-B1E -CP
MAIN-P.W.Board			<a href="#">C201</a>	08S45676W73	CAP,CER.103K-B1H -CP
MAIN-P.W.Board			<a href="#">C205</a>	08S65676Y03	CAP,CER 225KX7R1C-CP
MAIN-P.W.Board			<a href="#">C212</a>	08S45676W70	CAP,CER 562K-B1H -CP
MAIN-P.W.Board			<a href="#">C301</a>	08-02764Z03	CAP,TF 224K-1E -CP
MAIN-P.W.Board			<a href="#">C302</a>	08-02764Z03	CAP,TF 224K-1E -CP
MAIN-P.W.Board			<a href="#">C303</a>	08S45676W83	CAP,CER 473K-B1C -CP
MAIN-P.W.Board			<a href="#">C304</a>	08-02764Z03	CAP,TF 224K-1E -CP
MAIN-P.W.Board			<a href="#">C305</a>	08-02764Z03	CAP,TF 224K-1E -CP
MAIN-P.W.Board			<a href="#">C309</a>	08T81833F07	CAP,CER 105K-B1C -CP
MAIN-P.W.Board			<a href="#">C500</a>	08S45676W73	CAP,CER.103K-B1H -CP
MAIN-P.W.Board			<a href="#">C501</a>	08S35349Y15	CAP,CER 474K-B1A -CP
MAIN-P.W.Board			<a href="#">C502</a>	08S45676W85	CAP,CER 104K-B1C -CP
MAIN-P.W.Board			<a href="#">C503</a>	08S45676W73	CAP,CER.103K-B1H -CP
MAIN-P.W.Board			<a href="#">C505</a>	08S45676W85	CAP,CER 104K-B1C -CP
MAIN-P.W.Board			<a href="#">C506</a>	08S45676W70	CAP,CER 562K-B1H -CP
MAIN-P.W.Board			<a href="#">C507</a>	08S45676W73	CAP,CER.103K-B1H -CP
MAIN-P.W.Board			<a href="#">C509</a>	08S35350Y04	CAP,CER 105K-B1C -CP
MAIN-P.W.Board			<a href="#">C510</a>	08S45676W85	CAP,CER 104K-B1C -CP
MAIN-P.W.Board			<a href="#">C511</a>	08S45677W20	CAP,CER.22RJ-CH1H-CP
MAIN-P.W.Board			<a href="#">C512</a>	08S45677W22	CAP,CER.27RJ-CH1H-CP
MAIN-P.W.Board			<a href="#">C513</a>	08S45677W18	CAP,CER.18RJ-CH1H-CP
MAIN-P.W.Board			<a href="#">C514</a>	08S45677W20	CAP,CER.22RJ-CH1H-CP
MAIN-P.W.Board			<a href="#">C515</a>	08S45676W73	CAP,CER.103K-B1H -CP
MAIN-P.W.Board			<a href="#">C516</a>	08S45676W85	CAP,CER 104K-B1C -CP
MAIN-P.W.Board			<a href="#">C517</a>	08S45676W89	CAP,CER 473K-B1E -CP
MAIN-P.W.Board			<a href="#">C518</a>	08S45676W80	CAP,CER 223K-B1E -CP
MAIN-P.W.Board			<a href="#">C519</a>	08S45676W80	CAP,CER 223K-B1E -CP
MAIN-P.W.Board			<a href="#">C520</a>	08S45676W85	CAP,CER 104K-B1C -CP
MAIN-P.W.Board			<a href="#">C521</a>	08S45676W70	CAP,CER 562K-B1H -CP
MAIN-P.W.Board			<a href="#">C522</a>	08S45676W85	CAP,CER 104K-B1C -CP
MAIN-P.W.Board			<a href="#">C604</a>	08S65671Y01	CAP,CER 226KX5R1A-CP
MAIN-P.W.Board			<a href="#">C605</a>	08S45676W80	CAP,CER 223K-B1E -CP
MAIN-P.W.Board			<a href="#">C700</a>	08S45676W80	CAP,CER 223K-B1E -CP
MAIN-P.W.Board			<a href="#">C701</a>	08S45232Y17	CAP,CER 104K-B0J -CP
MAIN-P.W.Board			<a href="#">C704</a>	08S45232Y17	CAP,CER 104K-B0J -CP
MAIN-P.W.Board			<a href="#">C705</a>	08S45232Y17	CAP,CER 104K-B0J -CP
MAIN-P.W.Board			<a href="#">C706</a>	08S35374W11	CAP,CER 475K-B0J -CP
MAIN-P.W.Board			<a href="#">C709</a>	08S45232Y05	CAP,CER 102K-B1H -CP
MAIN-P.W.Board			<a href="#">C710</a>	08S45232Y07	CAP,CER 222K-B1H -CP
MAIN-P.W.Board			<a href="#">C711</a>	08S45232Y07	CAP,CER 222K-B1H -CP
MAIN-P.W.Board			<a href="#">C712</a>	08S45232Y07	CAP,CER 222K-B1H -CP
MAIN-P.W.Board			<a href="#">C715</a>	08S65670Y01	CAP,CER 106KX5R1C-CP

Mark Model Code

#1 CDE-9881 (North American) Only,

\$1 CDE-9881 (General Foreign) Only,

%1 CDE-9881 (Chinese) Only,

&1 CDE-9881L Only,

Others : Common.

NOTE : The part that has not PART NUMBER will not be supplied.

P.W.Board	MIS	MODEL	Ref.	Parts No.	Parts Name
-----------	-----	-------	------	-----------	------------

MAIN-P.W.Board			<a href="#">C716</a>	08S45232Y17	CAP,CER 104K-B0J -CP
MAIN-P.W.Board			<a href="#">C717</a>	08S45232Y17	CAP,CER 104K-B0J -CP
MAIN-P.W.Board			<a href="#">C718</a>	08S45232Y17	CAP,CER 104K-B0J -CP
MAIN-P.W.Board			<a href="#">C719</a>	08S45676W91	CAP,CER 154K-B1A -CP
MAIN-P.W.Board			<a href="#">C720</a>	08S45232Y13	CAP,CER 223K-B1C -CP
MAIN-P.W.Board			<a href="#">C721</a>	08S45232Y08	CAP,CER 332K-B1H -CP
MAIN-P.W.Board			<a href="#">C722</a>	08S35374W07	CAP,CER 334K-B1C -CP
MAIN-P.W.Board			<a href="#">C723</a>	08S45232Y17	CAP,CER 104K-B0J -CP
MAIN-P.W.Board			<a href="#">C724</a>	08S45232Y04	CAP,CER 681K-B1H -CP
MAIN-P.W.Board			<a href="#">C725</a>	08S45232Y12	CAP,CER 153K-B1C -CP
MAIN-P.W.Board			<a href="#">C726</a>	08S45232Y17	CAP,CER 104K-B0J -CP
MAIN-P.W.Board			<a href="#">C727</a>	08S45232Y05	CAP,CER 102K-B1H -CP
MAIN-P.W.Board			<a href="#">C728</a>	08S65668Y03	CAP,CER 823KX5R1A-CP
MAIN-P.W.Board			<a href="#">C729</a>	08S35374W07	CAP,CER 334K-B1C -CP
MAIN-P.W.Board			<a href="#">C730</a>	08S45232Y05	CAP,CER 102K-B1H -CP
MAIN-P.W.Board			<a href="#">C731</a>	08S65668Y04	CAP,CER 104KX5R1A-CP
MAIN-P.W.Board			<a href="#">C732</a>	08S45232Y17	CAP,CER 104K-B0J -CP
MAIN-P.W.Board			<a href="#">C733</a>	08S45676W73	CAP,CER.103K-B1H -CP
MAIN-P.W.Board			<a href="#">C734</a>	08S45676W73	CAP,CER.103K-B1H -CP
MAIN-P.W.Board			<a href="#">C735</a>	08S45231Y15	CAP,CER 15RJ-CH1H-CP
MAIN-P.W.Board			<a href="#">C736</a>	08S45231Y15	CAP,CER 15RJ-CH1H-CP
MAIN-P.W.Board			<a href="#">C739</a>	08S45677W60	CAP,CER 102J-CH1H-CP
MAIN-P.W.Board			<a href="#">C741</a>	08S45676W85	CAP,CER 104K-B1C -CP
MAIN-P.W.Board			<a href="#">C746</a>	08S45676W73	CAP,CER.103K-B1H -CP
MAIN-P.W.Board			<a href="#">C747</a>	08S45677W36	CAP,CER.101J-CH1H-CP
MAIN-P.W.Board			<a href="#">C748</a>	08S45232Y17	CAP,CER 104K-B0J -CP
MAIN-P.W.Board			<a href="#">C749</a>	08S45232Y17	CAP,CER 104K-B0J -CP
MAIN-P.W.Board			<a href="#">C751</a>	08S45232Y17	CAP,CER 104K-B0J -CP
MAIN-P.W.Board			<a href="#">C752</a>	08S45676W68	CAP,CER.392K-B1H -CP
MAIN-P.W.Board			<a href="#">C753</a>	08S45232Y09	CAP,CER 472K-B1E -CP
MAIN-P.W.Board			<a href="#">C754</a>	08S45676W72	CAP,CER 822K-B1H -CP
MAIN-P.W.Board			<a href="#">C755</a>	08S45676W85	CAP,CER 104K-B1C -CP
MAIN-P.W.Board			<a href="#">C756</a>	08S45232Y17	CAP,CER 104K-B0J -CP
MAIN-P.W.Board			<a href="#">C757</a>	08S45232Y17	CAP,CER 104K-B0J -CP
MAIN-P.W.Board			<a href="#">C762</a>	08S45677W36	CAP,CER.101J-CH1H-CP
MAIN-P.W.Board			<a href="#">C764</a>	08S45539Y04	CAP,CER 103KX7R2J-CP
MAIN-P.W.Board			<a href="#">C765</a>	08S45676W73	CAP,CER.103K-B1H -CP
MAIN-P.W.Board			<a href="#">C766</a>	08S45676W73	CAP,CER.103K-B1H -CP
MAIN-P.W.Board			<a href="#">C767</a>	08S45676W73	CAP,CER.103K-B1H -CP
MAIN-P.W.Board			<a href="#">C800</a>	08S45676W80	CAP,CER 223K-B1E -CP
MAIN-P.W.Board			<a href="#">C801</a>	08S45676W85	CAP,CER 104K-B1C -CP
MAIN-P.W.Board			<a href="#">C802</a>	08S45676W85	CAP,CER 104K-B1C -CP
MAIN-P.W.Board			<a href="#">C803</a>	08S45676W80	CAP,CER 223K-B1E -CP
MAIN-P.W.Board			<a href="#">C804</a>	08T55390W34	CAP,TF 274J-1H -R5

Mark Model Code

#1 CDE-9881 (North American) Only,

\$1 CDE-9881 (General Foreign) Only,


%1 CDE-9881 (Chinese) Only,

&1 CDE-9881L Only,

Others : Common.

NOTE : The part that has not PART NUMBER will not be supplied.

P.W.Board	MIS	MODEL	Ref.	Parts No.	Parts Name
-----------	-----	-------	------	-----------	------------

MAIN-P.W.Board			<a href="#">C805</a>	08S45676W85	CAP,CER 104K-B1C -CP
MAIN-P.W.Board			<a href="#">C806</a>	08S45676W85	CAP,CER 104K-B1C -CP
MAIN-P.W.Board			<a href="#">C807</a>	08S45676W85	CAP,CER 104K-B1C -CP
MAIN-P.W.Board			<a href="#">C808</a>	08S45676W85	CAP,CER 104K-B1C -CP
MAIN-P.W.Board			<a href="#">C809</a>	08S45676W85	CAP,CER 104K-B1C -CP
MAIN-P.W.Board			<a href="#">C810</a>	08S65667Y01	CAP,CER 224KX5R1C-CP
MAIN-P.W.Board			<a href="#">C811</a>	08S60102F44	CAP,CER 474K-B1E -CP
MAIN-P.W.Board			<a href="#">C812</a>	08S45676W67	CAP,CER.332K-B1H -CP
MAIN-P.W.Board			<a href="#">C813</a>	08S45676W67	CAP,CER.332K-B1H -CP
MAIN-P.W.Board			<a href="#">C814</a>	08S65667Y01	CAP,CER 224KX5R1C-CP
MAIN-P.W.Board			<a href="#">C815</a>	08S35350Y04	CAP,CER 105K-B1C -CP
MAIN-P.W.Board			<a href="#">C817</a>	08S45676W80	CAP,CER 223K-B1E -CP
MAIN-P.W.Board			<a href="#">C818</a>	08S45676W73	CAP,CER.103K-B1H -CP
MAIN-P.W.Board			<a href="#">C819</a>	08S45539Y04	CAP,CER 103KX7R2J-CP
MAIN-P.W.Board			<a href="#">C820</a>	08S65128F78	CAP,CER.223K-B1H -CP
MAIN-P.W.Board			<a href="#">C821</a>	08S45539Y04	CAP,CER 103KX7R2J-CP
MAIN-P.W.Board			<a href="#">C822</a>	08S45539Y04	CAP,CER 103KX7R2J-CP
MAIN-P.W.Board			<a href="#">C823</a>	08S45539Y04	CAP,CER 103KX7R2J-CP
MAIN-P.W.Board			<a href="#">C824</a>	08S45539Y04	CAP,CER 103KX7R2J-CP
MAIN-P.W.Board			<a href="#">C826</a>	08S45676W80	CAP,CER 223K-B1E -CP
MAIN-P.W.Board			<a href="#">C827</a>	08S45539Y04	CAP,CER 103KX7R2J-CP
MAIN-P.W.Board			<a href="#">C828</a>	08S45676W85	CAP,CER 104K-B1C -CP
MAIN-P.W.Board			<a href="#">CB704</a>	09-09312Z02	FFC,IMSA9663S-15Y-EQ
MAIN-P.W.Board			<a href="#">CB705</a>	09T45435W11	FFC,52207-1190 -E9
MAIN-P.W.Board			<a href="#">CB801</a>	09T25738Y11	WTB,53254-1170 -DB
MAIN-P.W.Board			<a href="#">CB803</a>	24-05301Z01	ASSY,NLT2010 -DB
MAIN-P.W.Board			<a href="#">CH502</a>	09T75236Y20	BTB,BTFW20R-3RSTA-EJ
MAIN-P.W.Board			<a href="#">D001</a>	48T85357W01	DIO,1PS226 -CP
MAIN-P.W.Board			<a href="#">D301</a>	48-05837Z01	DIO,S1G -E1
MAIN-P.W.Board			<a href="#">D302</a>	48-06706Z01	DIO,MA2J111-TX -CP
MAIN-P.W.Board			<a href="#">D303</a>	48-05837Z01	DIO,S1G -E1
MAIN-P.W.Board			<a href="#">D501</a>	48T85357W01	DIO,1PS226 -CP
MAIN-P.W.Board			<a href="#">D502</a>	48T85357W01	DIO,1PS226 -CP
MAIN-P.W.Board			<a href="#">D503</a>	48T85357W01	DIO,1PS226 -CP
MAIN-P.W.Board			<a href="#">D702</a>	48T85357W01	DIO,1PS226 -CP
MAIN-P.W.Board			<a href="#">D703</a>	48T85357W01	DIO,1PS226 -CP
MAIN-P.W.Board			<a href="#">D800</a>	48-05837Z01	DIO,S1G -E1
MAIN-P.W.Board			<a href="#">D801</a>	48-05837Z01	DIO,S1G -E1
MAIN-P.W.Board			<a href="#">D802</a>	48-05837Z01	DIO,S1G -E1
MAIN-P.W.Board			<a href="#">D803</a>	48T85357W01	DIO,1PS226 -CP
MAIN-P.W.Board			<a href="#">D804</a>	48-05837Z01	DIO,S1G -E1
MAIN-P.W.Board			<a href="#">D805</a>	48T44813F03	DIO,MA165 -R5
MAIN-P.W.Board			<a href="#">D806</a>	48-05837Z01	DIO,S1G -E1
MAIN-P.W.Board			<a href="#">D807</a>	48-05828Z01	DIO,1N5406G-04 -

Mark Model Code

#1 CDE-9881 (North American) Only,

\$1 CDE-9881 (General Foreign) Only,

%1 CDE-9881 (Chinese) Only,

&1 CDE-9881L Only,

Others : Common.

NOTE : The part that has not PART NUMBER will not be supplied.

P.W.Board	MIS	MODEL	Ref.	Parts No.	Parts Name
-----------	-----	-------	------	-----------	------------

MAIN-P.W.Board			<a href="#">D808</a>	48-05837Z01	DIO,S1G -E1
MAIN-P.W.Board			<a href="#">E001</a>	23S65134W23	CAP,ELY 101-1A(6)-E6
MAIN-P.W.Board			<a href="#">E002</a>	23S65134W41	CAP,ELY 4R7-1E(3)-E2
MAIN-P.W.Board			<a href="#">E003</a>	23S65134W53	CAP,ELY 4R7-1V(4)-E2
MAIN-P.W.Board			<a href="#">E201</a>	23S65134W53	CAP,ELY 4R7-1V(4)-E2
MAIN-P.W.Board			<a href="#">E202</a>	23S65134W65	CAP,ELY 1R0-1H(3)-E2
MAIN-P.W.Board			<a href="#">E203</a>	23S75373W14	CAP,ELY 2R2-1H -R2
MAIN-P.W.Board			<a href="#">E204</a>	23S75373W14	CAP,ELY 2R2-1H -R2
MAIN-P.W.Board			<a href="#">E205</a>	23S75373W14	CAP,ELY 2R2-1H -R2
MAIN-P.W.Board			<a href="#">E206</a>	23S75373W14	CAP,ELY 2R2-1H -R2
MAIN-P.W.Board			<a href="#">E207</a>	23S65134W65	CAP,ELY 1R0-1H(3)-E2
MAIN-P.W.Board			<a href="#">E208</a>	23S65134W65	CAP,ELY 1R0-1H(3)-E2
MAIN-P.W.Board			<a href="#">E209</a>	23S65134W41	CAP,ELY 4R7-1E(3)-E2
MAIN-P.W.Board			<a href="#">E210</a>	23S65134W41	CAP,ELY 4R7-1E(3)-E2
MAIN-P.W.Board			<a href="#">E211</a>	23S65134W41	CAP,ELY 4R7-1E(3)-E2
MAIN-P.W.Board			<a href="#">E216</a>	23S65134W65	CAP,ELY 1R0-1H(3)-E2
MAIN-P.W.Board			<a href="#">E217</a>	23S75373W14	CAP,ELY 2R2-1H -R2
MAIN-P.W.Board			<a href="#">E218</a>	23S75373W14	CAP,ELY 2R2-1H -R2
MAIN-P.W.Board			<a href="#">E301</a>	23S65134W31	CAP,ELY 10R-1C(4)-E2
MAIN-P.W.Board			<a href="#">E302</a>	23S65134W34	CAP,ELY 47R-1C(6)-E6
MAIN-P.W.Board			<a href="#">E303</a>	23S65134W65	CAP,ELY 1R0-1H(3)-E2
MAIN-P.W.Board			<a href="#">E304</a>	23S65134W53	CAP,ELY 4R7-1V(4)-E2
MAIN-P.W.Board			<a href="#">E305</a>	23S65134W32	CAP,ELY 22R-1C(5)-E3
MAIN-P.W.Board			<a href="#">E306</a>	23S65134W53	CAP,ELY 4R7-1V(4)-E2
MAIN-P.W.Board			<a href="#">E307</a>	23S65134W53	CAP,ELY 4R7-1V(4)-E2
MAIN-P.W.Board			<a href="#">E308</a>	23S65134W53	CAP,ELY 4R7-1V(4)-E2
MAIN-P.W.Board			<a href="#">E309</a>	23S65134W53	CAP,ELY 4R7-1V(4)-E2
MAIN-P.W.Board			<a href="#">E702</a>	23T65679Y11	CAP,CD 47R-0J -E2
MAIN-P.W.Board			<a href="#">E703</a>	23S65134W34	CAP,ELY 47R-1C(6)-E6
MAIN-P.W.Board			<a href="#">E704</a>	23S65134W35	CAP,ELY 101-1C(8)-E6
MAIN-P.W.Board			<a href="#">E706</a>	23S65134W34	CAP,ELY 47R-1C(6)-E6
MAIN-P.W.Board			<a href="#">E708</a>	23S65134W32	CAP,ELY 22R-1C(5)-E3
MAIN-P.W.Board			<a href="#">E709</a>	23S65134W35	CAP,ELY 101-1C(8)-E6
MAIN-P.W.Board			<a href="#">E710</a>	23S65134W34	CAP,ELY 47R-1C(6)-E6
MAIN-P.W.Board			<a href="#">E711</a>	23S65134W32	CAP,ELY 22R-1C(5)-E3
MAIN-P.W.Board			<a href="#">E713</a>	23S65134W34	CAP,ELY 47R-1C(6)-E6
MAIN-P.W.Board			<a href="#">E800</a>	23S65134W23	CAP,ELY 101-1A(6)-E6
MAIN-P.W.Board			<a href="#">E801</a>	23S65134W26	CAP,ELY 471-1A(8)-EA
MAIN-P.W.Board			<a href="#">E802</a>	23S65134W24	CAP,ELY 221-1A(8)-E6
MAIN-P.W.Board			<a href="#">E803</a>	23S65134W36	CAP,ELY 221-1C(8)-EA
MAIN-P.W.Board			<a href="#">E804</a>	23S65134W31	CAP,ELY 10R-1C(4)-E2
MAIN-P.W.Board			<a href="#">E805</a>	23S65134W65	CAP,ELY 1R0-1H(3)-E2
MAIN-P.W.Board			<a href="#">E806</a>	23T55378W03	CAP,KMG 471-1A -R2
MAIN-P.W.Board			<a href="#">E807</a>	23S65134W31	CAP,ELY 10R-1C(4)-E2

Mark Model Code

#1 CDE-9881 (North American) Only,

\$1 CDE-9881 (General Foreign) Only,


%1 CDE-9881 (Chinese) Only,

&1 CDE-9881L Only,

Others : Common.

NOTE : The part that has not PART NUMBER will not be supplied.

P.W.Board	MIS	MODEL	Ref.	Parts No.	Parts Name
-----------	-----	-------	------	-----------	------------

MAIN-P.W.Board			<a href="#">E808</a>	23S65134W31	CAP,ELY 10R-1C(4)-E2
MAIN-P.W.Board			<a href="#">E809</a>	23S65134W24	CAP,ELY 221-1A(8)-E6
MAIN-P.W.Board			<a href="#">E816</a>	23T75325Y01	CAP,VB 332-1C +
MAIN-P.W.Board			<a href="#">E818</a>	23S65134W23	CAP,ELY 101-1A(6)-E6
MAIN-P.W.Board			<a href="#">E821</a>	23S65134W15	CAP,ELY 331-0J(8)-E6
MAIN-P.W.Board			<a href="#">F701</a>	65T75477Y05	FUSE,CCP2E 1.0A -CP
MAIN-P.W.Board			<a href="#">IC201</a>	51-07764Z01	TDA7417 -QE6
MAIN-P.W.Board			<a href="#">IC301</a>	51-04635Z01	TB2904HQ -ZS
MAIN-P.W.Board			<a href="#">IC501</a>	51-09793Z02	IC,MN101E16KFA -QT
MAIN-P.W.Board			<a href="#">IC505</a>	51T75063Y06	BD5228G-TR -CP
MAIN-P.W.Board			<a href="#">IC700</a>	51-09798Z01	S-93C66BD0I-J8T1-SE2
MAIN-P.W.Board			<a href="#">IC701</a>	51-09762Z02	MN6627971AC -QT
MAIN-P.W.Board			<a href="#">IC702</a>	51-06020Z01	AN41023A-E1 -SEA
MAIN-P.W.Board			<a href="#">IC703</a>	51T25366Y01	TC7WH32FU-TE12L -SE1
MAIN-P.W.Board			<a href="#">IC704</a>	51T15192Y01	TC74VHC14FT-EL -SE5
MAIN-P.W.Board			<a href="#">IC705</a>	51T35410Y01	S-817A33ANB-T2 -CP
MAIN-P.W.Board			<a href="#">IC706</a>	51T25330Y01	TC7WH123FU-TE12L-SE1
MAIN-P.W.Board			<a href="#">IC801</a>	51T65147Y01	HA13165 -ZS
MAIN-P.W.Board			<a href="#">IC802</a>	51-05862Z01	NJM2845DL1-33-TE1NE5
MAIN-P.W.Board			<a href="#">IC803</a>	51-02415Z01	R1180N151B-TR-FA -CP
MAIN-P.W.Board			<a href="#">IC805</a>	51-05862Z01	NJM2845DL1-33-TE1NE5
MAIN-P.W.Board			<a href="#">JK201</a>	09T03083K01	RCA,AV6-901C -DB
MAIN-P.W.Board			<a href="#">L001</a>	24T25164Y21	IND,FSLM2520 4R7J-CP
MAIN-P.W.Board			<a href="#">L002</a>	24T16403W29	COI,IND.15R-M -CP
MAIN-P.W.Board			<a href="#">L003</a>	24T35286Y02	IND,MG56 332J -DB
MAIN-P.W.Board			<a href="#">Q101</a>	48T75031Y03	TR,2SB1440-S -E2
MAIN-P.W.Board		#1	<a href="#">Q102</a>	48T64222F11	TR,UN221F-TX -CP
MAIN-P.W.Board		\$1	<a href="#">Q102</a>	48-04929Z18	TR,KRC119S-RTK -CP
MAIN-P.W.Board		%1	<a href="#">Q102</a>	48-04929Z18	TR,KRC119S-RTK -CP
MAIN-P.W.Board		&1	<a href="#">Q102</a>	48T64222F11	TR,UN221F-TX -CP
MAIN-P.W.Board			<a href="#">Q202</a>	48T25317Y01	TR,XN0F256-TX -CP
MAIN-P.W.Board			<a href="#">Q203</a>	48T25317Y01	TR,XN0F256-TX -CP
MAIN-P.W.Board			<a href="#">Q204</a>	48T25317Y01	TR,XN0F256-TX -CP
MAIN-P.W.Board			<a href="#">Q301</a>	48T64222F01	TR ,UN2211 10-10 -TX
MAIN-P.W.Board			<a href="#">Q302</a>	48T45594W12	TR ,XN1A312 -TX-CP
MAIN-P.W.Board			<a href="#">Q303</a>	48T64222F02	TR ,UN2212 22-22 -TX
MAIN-P.W.Board			<a href="#">Q306</a>	48T64222F02	TR ,UN2212 22-22 -TX
MAIN-P.W.Board			<a href="#">Q502</a>	48T45594W12	TR ,XN1A312 -TX-CP
MAIN-P.W.Board			<a href="#">Q701</a>	48T55462Y01	TR,2SB1132-QR-100-E2
MAIN-P.W.Board			<a href="#">Q702</a>	48T45594W16	TR,XN1A311-TX -CP
MAIN-P.W.Board			<a href="#">Q703</a>	48T45251W03	TR ,UN5212 22-22 -CP
MAIN-P.W.Board			<a href="#">Q704</a>	48T45594W12	TR ,XN1A312 -TX-CP
MAIN-P.W.Board			<a href="#">Q705</a>	48T45251W53	TR ,UN5112 22-22 -CP
MAIN-P.W.Board			<a href="#">Q707</a>	48T75031Y03	TR,2SB1440-S -E2

Mark Model Code

#1 CDE-9881 (North American) Only,

\$1 CDE-9881 (General Foreign) Only,

%1 CDE-9881 (Chinese) Only,

&1 CDE-9881L Only,

Others : Common.

NOTE : The part that has not PART NUMBER will not be supplied.

P.W.Board	MIS	MODEL	Ref.	Parts No.	Parts Name
-----------	-----	-------	------	-----------	------------

MAIN-P.W.Board			<a href="#">Q708</a>	48T64222F12	TR,UN221L-TX -CP
MAIN-P.W.Board			<a href="#">Q800</a>	48T75031Y03	TR,2SB1440-S -E2
MAIN-P.W.Board			<a href="#">Q801</a>	48T45594W12	TR ,XN1A312 -TX-CP
MAIN-P.W.Board			<a href="#">Q802</a>	48T45594W12	TR ,XN1A312 -TX-CP
MAIN-P.W.Board			<a href="#">Q803</a>	48T64222F12	TR,UN221L-TX -CP
MAIN-P.W.Board			<a href="#">Q804</a>	48T45594W16	TR,XN1A311-TX -CP
MAIN-P.W.Board			<a href="#">Q805</a>	48T93828F04	TR,2SD1994A-S-TA -RD
MAIN-P.W.Board			<a href="#">Q806</a>	48T64222F02	TR ,UN2212 22-22 -TX
MAIN-P.W.Board			<a href="#">Q807</a>	48T75031Y03	TR,2SB1440-S -E2
MAIN-P.W.Board			<a href="#">Q808</a>	48-04929Z05	TR,KRC105S-RTK -CP
MAIN-P.W.Board		#1	<a href="#">Q809</a>	48T64222F11	TR,UN221F-TX -CP
MAIN-P.W.Board		\$1	<a href="#">Q809</a>	48-04929Z18	TR,KRC119S-RTK -CP
MAIN-P.W.Board		%1	<a href="#">Q809</a>	48-04929Z18	TR,KRC119S-RTK -CP
MAIN-P.W.Board		&1	<a href="#">Q809</a>	48T64222F11	TR,UN221F-TX -CP
MAIN-P.W.Board			<a href="#">Q810</a>	48T45594W12	TR ,XN1A312 -TX-CP
MAIN-P.W.Board			<a href="#">Q811</a>	48-05471Z01	TR,XPONG8A00-L -CP
MAIN-P.W.Board			<a href="#">Q813</a>	48T64222F02	TR ,UN2212 22-22 -TX
MAIN-P.W.Board			<a href="#">Q850</a>	48T75031Y03	TR,2SB1440-S -E2
MAIN-P.W.Board		#1	<a href="#">Q851</a>	48T64222F11	TR,UN221F-TX -CP
MAIN-P.W.Board		\$1	<a href="#">Q851</a>	48-04929Z18	TR,KRC119S-RTK -CP
MAIN-P.W.Board		%1	<a href="#">Q851</a>	48-04929Z18	TR,KRC119S-RTK -CP
MAIN-P.W.Board		&1	<a href="#">Q851</a>	48T64222F11	TR,UN221F-TX -CP
MAIN-P.W.Board			<a href="#">R001</a>	06S70072F05	RES,CP .10R-J-1/4-CP
MAIN-P.W.Board			<a href="#">R002</a>	06S70072F78	RES,CP .2R2-J-1/4-CP
MAIN-P.W.Board			<a href="#">R018</a>	06S45674W19	RES,RK 27RJ 1/10 -CP
MAIN-P.W.Board			<a href="#">R019</a>	06S45674W19	RES,RK 27RJ 1/10 -CP
MAIN-P.W.Board			<a href="#">R101</a>	06S70072F77	RES,CP .103-J-1/4-CP
MAIN-P.W.Board			<a href="#">R102</a>	06S70072F61	RES,CP .222-J-1/4-CP
MAIN-P.W.Board			<a href="#">R103</a>	06S70072F61	RES,CP .222-J-1/4-CP
MAIN-P.W.Board			<a href="#">R203</a>	06S45675W02	RES,RK 683J 1/10 -CP
MAIN-P.W.Board			<a href="#">R204</a>	06S45675W02	RES,RK 683J 1/10 -CP
MAIN-P.W.Board			<a href="#">R205</a>	06S45675W02	RES,RK 683J 1/10 -CP
MAIN-P.W.Board			<a href="#">R206</a>	06S45675W02	RES,RK 683J 1/10 -CP
MAIN-P.W.Board			<a href="#">R207</a>	06S45675W02	RES,RK 683J 1/10 -CP
MAIN-P.W.Board			<a href="#">R208</a>	06S45675W02	RES,RK 683J 1/10 -CP
MAIN-P.W.Board			<a href="#">R209</a>	06S64995F37	RES,RK 221J 1/8 -CP
MAIN-P.W.Board			<a href="#">R212</a>	06S64995F37	RES,RK 221J 1/8 -CP
MAIN-P.W.Board			<a href="#">R213</a>	06S64995F37	RES,RK 221J 1/8 -CP
MAIN-P.W.Board			<a href="#">R214</a>	06S64995F37	RES,RK 221J 1/8 -CP
MAIN-P.W.Board			<a href="#">R215</a>	06S64995F37	RES,RK 221J 1/8 -CP
MAIN-P.W.Board			<a href="#">R216</a>	06S64995F26	RES,RK 75RJ 1/8 -CP
MAIN-P.W.Board			<a href="#">R217</a>	06S64995F26	RES,RK 75RJ 1/8 -CP
MAIN-P.W.Board			<a href="#">R218</a>	06S64995F37	RES,RK 221J 1/8 -CP
MAIN-P.W.Board			<a href="#">R219</a>	06S64995F26	RES,RK 75RJ 1/8 -CP

Mark Model Code

#1 CDE-9881 (North American) Only,

\$1 CDE-9881 (General Foreign) Only,

%1 CDE-9881 (Chinese) Only,

&1 CDE-9881L Only,

Others : Common.

NOTE : The part that has not PART NUMBER will not be supplied.

P.W.Board	MIS	MODEL	Ref.	Parts No.	Parts Name
-----------	-----	-------	------	-----------	------------

MAIN-P.W.Board			<a href="#">R220</a>	06S64995F26	RES,RK 75RJ 1/8 -CP
MAIN-P.W.Board			<a href="#">R221</a>	06S64995F26	RES,RK 75RJ 1/8 -CP
MAIN-P.W.Board			<a href="#">R222</a>	06S64995F26	RES,RK 75RJ 1/8 -CP
MAIN-P.W.Board			<a href="#">R223</a>	06S35083Y25	RES,RK 102F 1/4 -CP
MAIN-P.W.Board			<a href="#">R224</a>	06S35083Y25	RES,RK 102F 1/4 -CP
MAIN-P.W.Board			<a href="#">R225</a>	06S35083Y25	RES,RK 102F 1/4 -CP
MAIN-P.W.Board			<a href="#">R230</a>	06S55365Y59	RES,RK 561J 1/10 -CP
MAIN-P.W.Board			<a href="#">R231</a>	06S55365Y59	RES,RK 561J 1/10 -CP
MAIN-P.W.Board			<a href="#">R301</a>	06S45674W81	RES,RK 103J 1/10 -CP
MAIN-P.W.Board			<a href="#">R302</a>	06S45674W81	RES,RK 103J 1/10 -CP
MAIN-P.W.Board			<a href="#">R303</a>	06S45674W41	RES,RK 221J 1/10 -CP
MAIN-P.W.Board			<a href="#">R304</a>	06S45674W97	RES,RK 473J 1/10 -CP
MAIN-P.W.Board			<a href="#">R305</a>	06S70072F29	RES,CP .101-J-1/4-CP
MAIN-P.W.Board			<a href="#">R307</a>	06S45674W33	RES,RK 101J 1/10 -CP
MAIN-P.W.Board			<a href="#">R309</a>	06S45674W77	RES,RK 682J 1/10 -CP
MAIN-P.W.Board			<a href="#">R501</a>	06S45674W61	RES,RK 152J 1/10 -CP
MAIN-P.W.Board			<a href="#">R502</a>	06S45674W57	RES,RK 102J 1/10 -CP
MAIN-P.W.Board			<a href="#">R503</a>	06S45675W22	RES,RK 474J 1/10 -CP
MAIN-P.W.Board			<a href="#">R504</a>	06S45674W57	RES,RK 102J 1/10 -CP
MAIN-P.W.Board			<a href="#">R505</a>	06S45674W97	RES,RK 473J 1/10 -CP
MAIN-P.W.Board			<a href="#">R506</a>	06S64995F29	RES,RK 101J 1/8 -CP
MAIN-P.W.Board			<a href="#">R507</a>	06S64995F29	RES,RK 101J 1/8 -CP
MAIN-P.W.Board			<a href="#">R508</a>	06S45674W75	RES,RK 562J 1/10 -CP
MAIN-P.W.Board			<a href="#">R510</a>	06S45674W33	RES,RK 101J 1/10 -CP
MAIN-P.W.Board			<a href="#">R511</a>	06S45674W33	RES,RK 101J 1/10 -CP
MAIN-P.W.Board			<a href="#">R512</a>	06S45674W57	RES,RK 102J 1/10 -CP
MAIN-P.W.Board			<a href="#">R514</a>	06S45674W33	RES,RK 101J 1/10 -CP
MAIN-P.W.Board			<a href="#">R515</a>	06S45674W57	RES,RK 102J 1/10 -CP
MAIN-P.W.Board			<a href="#">R516</a>	06S45674W89	RES,RK 223J 1/10 -CP
MAIN-P.W.Board			<a href="#">R517</a>	06S45674W33	RES,RK 101J 1/10 -CP
MAIN-P.W.Board			<a href="#">R518</a>	06S45674W33	RES,RK 101J 1/10 -CP
MAIN-P.W.Board			<a href="#">R519</a>	06S45674W33	RES,RK 101J 1/10 -CP
MAIN-P.W.Board			<a href="#">R521</a>	06S45674W57	RES,RK 102J 1/10 -CP
MAIN-P.W.Board			<a href="#">R522</a>	06S45674W33	RES,RK 101J 1/10 -CP
MAIN-P.W.Board			<a href="#">R523</a>	06S45674W33	RES,RK 101J 1/10 -CP
MAIN-P.W.Board			<a href="#">R524</a>	06S45674W57	RES,RK 102J 1/10 -CP
MAIN-P.W.Board			<a href="#">R525</a>	06S45674W33	RES,RK 101J 1/10 -CP
MAIN-P.W.Board			<a href="#">R526</a>	06S45674W33	RES,RK 101J 1/10 -CP
MAIN-P.W.Board			<a href="#">R528</a>	06S45674W75	RES,RK 562J 1/10 -CP
MAIN-P.W.Board			<a href="#">R529</a>	06S45674W75	RES,RK 562J 1/10 -CP
MAIN-P.W.Board			<a href="#">R530</a>	06S45674W97	RES,RK 473J 1/10 -CP
MAIN-P.W.Board			<a href="#">R534</a>	06S45674W97	RES,RK 473J 1/10 -CP
MAIN-P.W.Board			<a href="#">R535</a>	06S45674W57	RES,RK 102J 1/10 -CP
MAIN-P.W.Board			<a href="#">R536</a>	06S15593Y75	RES,RK 123F 1/10 -CP

Mark Model Code

#1 CDE-9881 (North American) Only,

\$1 CDE-9881 (General Foreign) Only,

%1 CDE-9881 (Chinese) Only,

&1 CDE-9881L Only,

Others : Common.

NOTE : The part that has not PART NUMBER will not be supplied.

P.W.Board	MIS	MODEL	Ref.	Parts No.	Parts Name
-----------	-----	-------	------	-----------	------------

MAIN-P.W.Board			<a href="#">R537</a>	06S45674W89	RES,RK 223J 1/10 -CP
MAIN-P.W.Board			<a href="#">R538</a>	06S45674W89	RES,RK 223J 1/10 -CP
MAIN-P.W.Board			<a href="#">R539</a>	06S45674W33	RES,RK 101J 1/10 -CP
MAIN-P.W.Board			<a href="#">R540</a>	06S45674W33	RES,RK 101J 1/10 -CP
MAIN-P.W.Board			<a href="#">R542</a>	06S64995F29	RES,RK 101J 1/8 -CP
MAIN-P.W.Board			<a href="#">R543</a>	06S45674W33	RES,RK 101J 1/10 -CP
MAIN-P.W.Board			<a href="#">R544</a>	06S45674W33	RES,RK 101J 1/10 -CP
MAIN-P.W.Board			<a href="#">R546</a>	06S45674W89	RES,RK 223J 1/10 -CP
MAIN-P.W.Board			<a href="#">R547</a>	06S45674W33	RES,RK 101J 1/10 -CP
MAIN-P.W.Board			<a href="#">R549</a>	06S45674W33	RES,RK 101J 1/10 -CP
MAIN-P.W.Board			<a href="#">R550</a>	06S45674W57	RES,RK 102J 1/10 -CP
MAIN-P.W.Board			<a href="#">R551</a>	06S45674W57	RES,RK 102J 1/10 -CP
MAIN-P.W.Board			<a href="#">R552</a>	06S45675W06	RES,RK 104J 1/10 -CP
MAIN-P.W.Board			<a href="#">R554</a>	06S45674W97	RES,RK 473J 1/10 -CP
MAIN-P.W.Board			<a href="#">R556</a>	06S45674W89	RES,RK 223J 1/10 -CP
MAIN-P.W.Board			<a href="#">R557</a>	06S45674W33	RES,RK 101J 1/10 -CP
MAIN-P.W.Board			<a href="#">R558</a>	06S45674W33	RES,RK 101J 1/10 -CP
MAIN-P.W.Board			<a href="#">R559</a>	06S45674W33	RES,RK 101J 1/10 -CP
MAIN-P.W.Board			<a href="#">R560</a>	06S45674W33	RES,RK 101J 1/10 -CP
MAIN-P.W.Board			<a href="#">R561</a>	06S45674W89	RES,RK 223J 1/10 -CP
MAIN-P.W.Board			<a href="#">R562</a>	06S45674W57	RES,RK 102J 1/10 -CP
MAIN-P.W.Board			<a href="#">R563</a>	06S45674W33	RES,RK 101J 1/10 -CP
MAIN-P.W.Board			<a href="#">R564</a>	06S45674W33	RES,RK 101J 1/10 -CP
MAIN-P.W.Board			<a href="#">R565</a>	06S45674W33	RES,RK 101J 1/10 -CP
MAIN-P.W.Board			<a href="#">R566</a>	06S45674W33	RES,RK 101J 1/10 -CP
MAIN-P.W.Board			<a href="#">R567</a>	06S45674W33	RES,RK 101J 1/10 -CP
MAIN-P.W.Board			<a href="#">R570</a>	06S64995F77	RES,RK 103J 1/8 -CP
MAIN-P.W.Board			<a href="#">R571</a>	06S45674W89	RES,RK 223J 1/10 -CP
MAIN-P.W.Board			<a href="#">R572</a>	06S45674W81	RES,RK 103J 1/10 -CP
MAIN-P.W.Board			<a href="#">R573</a>	06S64995F29	RES,RK 101J 1/8 -CP
MAIN-P.W.Board			<a href="#">R574</a>	06S64995F29	RES,RK 101J 1/8 -CP
MAIN-P.W.Board			<a href="#">R575</a>	06S64995F29	RES,RK 101J 1/8 -CP
MAIN-P.W.Board			<a href="#">R576</a>	06S45674W75	RES,RK 562J 1/10 -CP
MAIN-P.W.Board			<a href="#">R577</a>	06S45674W57	RES,RK 102J 1/10 -CP
MAIN-P.W.Board			<a href="#">R578</a>	06S45674W57	RES,RK 102J 1/10 -CP
MAIN-P.W.Board			<a href="#">R579</a>	06S45675W02	RES,RK 683J 1/10 -CP
MAIN-P.W.Board			<a href="#">R580</a>	06S45674W65	RES,RK 222J 1/10 -CP
MAIN-P.W.Board			<a href="#">R587</a>	06S45674W89	RES,RK 223J 1/10 -CP
MAIN-P.W.Board			<a href="#">R591</a>	06S64995F29	RES,RK 101J 1/8 -CP
MAIN-P.W.Board			<a href="#">R592</a>	06S64995F29	RES,RK 101J 1/8 -CP
MAIN-P.W.Board			<a href="#">R593</a>	06S64995F29	RES,RK 101J 1/8 -CP
MAIN-P.W.Board			<a href="#">R594</a>	06S64995F53	RES,RK 102J 1/8 -CP
MAIN-P.W.Board			<a href="#">R595</a>	06S64995F29	RES,RK 101J 1/8 -CP
MAIN-P.W.Board			<a href="#">R602</a>	06S45675W06	RES,RK 104J 1/10 -CP

Mark Model Code

#1 CDE-9881 (North American) Only,

\$1 CDE-9881 (General Foreign) Only,

%1 CDE-9881 (Chinese) Only,

&1 CDE-9881L Only,

Others : Common.

NOTE : The part that has not PART NUMBER will not be supplied.

P.W.Board	MIS	MODEL	Ref.	Parts No.	Parts Name
-----------	-----	-------	------	-----------	------------

MAIN-P.W.Board			<a href="#">R603</a>	06S45674W99	RES,RK 563J 1/10 -CP
MAIN-P.W.Board			<a href="#">R606</a>	06S64995F29	RES,RK 101J 1/8 -CP
MAIN-P.W.Board			<a href="#">R609</a>	06S45675W43	RES,RK JUMPER1/10-CP
MAIN-P.W.Board			<a href="#">R610</a>	06S45675W43	RES,RK JUMPER1/10-CP
MAIN-P.W.Board			<a href="#">R611</a>	06S45674W89	RES,RK 223J 1/10 -CP
MAIN-P.W.Board			<a href="#">R612</a>	06S64995F29	RES,RK 101J 1/8 -CP
MAIN-P.W.Board			<a href="#">R613</a>	06S45674W33	RES,RK 101J 1/10 -CP
MAIN-P.W.Board			<a href="#">R614</a>	06S45674W89	RES,RK 223J 1/10 -CP
MAIN-P.W.Board			<a href="#">R625</a>	06S45674W97	RES,RK 473J 1/10 -CP
MAIN-P.W.Board			<a href="#">R626</a>	06S70072F77	RES,CP .103-J-1/4-CP
MAIN-P.W.Board			<a href="#">R645</a>	06S45674W89	RES,RK 223J 1/10 -CP
MAIN-P.W.Board			<a href="#">R698</a>	06S64995F29	RES,RK 101J 1/8 -CP
MAIN-P.W.Board			<a href="#">R700</a>	06S45674W89	RES,RK 223J 1/10 -CP
MAIN-P.W.Board			<a href="#">R702</a>	06S45674W97	RES,RK 473J 1/10 -CP
MAIN-P.W.Board			<a href="#">R703</a>	06S45674W89	RES,RK 223J 1/10 -CP
MAIN-P.W.Board			<a href="#">R704</a>	06S45674W89	RES,RK 223J 1/10 -CP
MAIN-P.W.Board			<a href="#">R705</a>	06S45675W43	RES,RK JUMPER1/10-CP
MAIN-P.W.Board			<a href="#">R706</a>	06S45675W43	RES,RK JUMPER1/10-CP
MAIN-P.W.Board			<a href="#">R707</a>	06S45675W43	RES,RK JUMPER1/10-CP
MAIN-P.W.Board			<a href="#">R708</a>	06S45675W43	RES,RK JUMPER1/10-CP
MAIN-P.W.Board			<a href="#">R709</a>	06S45675W43	RES,RK JUMPER1/10-CP
MAIN-P.W.Board			<a href="#">R710</a>	06S45674W94	RES,RK 363J 1/10 -CP
MAIN-P.W.Board			<a href="#">R711</a>	06S45674W87	RES,RK 183J 1/10 -CP
MAIN-P.W.Board			<a href="#">R712</a>	06S45674W97	RES,RK 473J 1/10 -CP
MAIN-P.W.Board			<a href="#">R713</a>	06S45674W33	RES,RK 101J 1/10 -CP
MAIN-P.W.Board			<a href="#">R714</a>	06S45674W75	RES,RK 562J 1/10 -CP
MAIN-P.W.Board			<a href="#">R716</a>	06S45674W75	RES,RK 562J 1/10 -CP
MAIN-P.W.Board			<a href="#">R717</a>	06S45674W97	RES,RK 473J 1/10 -CP
MAIN-P.W.Board			<a href="#">R718</a>	06S45674W33	RES,RK 101J 1/10 -CP
MAIN-P.W.Board			<a href="#">R719</a>	06S45674W75	RES,RK 562J 1/10 -CP
MAIN-P.W.Board			<a href="#">R721</a>	06S45674W57	RES,RK 102J 1/10 -CP
MAIN-P.W.Board			<a href="#">R722</a>	06S45674W83	RES,RK 123J 1/10 -CP
MAIN-P.W.Board			<a href="#">R723</a>	06S45674W33	RES,RK 101J 1/10 -CP
MAIN-P.W.Board			<a href="#">R724</a>	06S45674W85	RES,RK 153J 1/10 -CP
MAIN-P.W.Board			<a href="#">R726</a>	06S45674W75	RES,RK 562J 1/10 -CP
MAIN-P.W.Board			<a href="#">R727</a>	06S45674W87	RES,RK 183J 1/10 -CP
MAIN-P.W.Board			<a href="#">R728</a>	06S45674W33	RES,RK 101J 1/10 -CP
MAIN-P.W.Board			<a href="#">R729</a>	06S45674W85	RES,RK 153J 1/10 -CP
MAIN-P.W.Board			<a href="#">R731</a>	06S45674W75	RES,RK 562J 1/10 -CP
MAIN-P.W.Board			<a href="#">R732</a>	06S45674W89	RES,RK 223J 1/10 -CP
MAIN-P.W.Board			<a href="#">R733</a>	06S45674W89	RES,RK 223J 1/10 -CP
MAIN-P.W.Board			<a href="#">R734</a>	06S45674W81	RES,RK 103J 1/10 -CP
MAIN-P.W.Board			<a href="#">R735</a>	06S45674W81	RES,RK 103J 1/10 -CP
MAIN-P.W.Board			<a href="#">R736</a>	06S45675W43	RES,RK JUMPER1/10-CP

Mark Model Code

- #1 CDE-9881 (North American) Only,
- \$1 CDE-9881 (General Foreign) Only,
- %1 CDE-9881 (Chinese) Only,
- &1 CDE-9881L Only,

Others : Common.

NOTE : The part that has not PART NUMBER will not be supplied.

P.W.Board	MIS	MODEL	Ref.	Parts No.	Parts Name
-----------	-----	-------	------	-----------	------------

MAIN-P.W.Board			<a href="#">R738</a>	06S45675W43	RES,RK JUMPER1/10-CP
MAIN-P.W.Board			<a href="#">R739</a>	06S45675W43	RES,RK JUMPER1/10-CP
MAIN-P.W.Board			<a href="#">R740</a>	06S45675W43	RES,RK JUMPER1/10-CP
MAIN-P.W.Board			<a href="#">R741</a>	06S45675W43	RES,RK JUMPER1/10-CP
MAIN-P.W.Board			<a href="#">R742</a>	06S45675W43	RES,RK JUMPER1/10-CP
MAIN-P.W.Board			<a href="#">R743</a>	06S45675W04	RES,RK 823J 1/10 -CP
MAIN-P.W.Board			<a href="#">R744</a>	06S45674W55	RES,RK 821J 1/10 -CP
MAIN-P.W.Board			<a href="#">R745</a>	06S45674W67	RES,RK 272J 1/10 -CP
MAIN-P.W.Board			<a href="#">R746</a>	06S45675W43	RES,RK JUMPER1/10-CP
MAIN-P.W.Board			<a href="#">R747</a>	06S45675W43	RES,RK JUMPER1/10-CP
MAIN-P.W.Board			<a href="#">R748</a>	06S45674W33	RES,RK 101J 1/10 -CP
MAIN-P.W.Board			<a href="#">R749</a>	06S45674W33	RES,RK 101J 1/10 -CP
MAIN-P.W.Board			<a href="#">R751</a>	06S45674W97	RES,RK 473J 1/10 -CP
MAIN-P.W.Board			<a href="#">R752</a>	06S45674W97	RES,RK 473J 1/10 -CP
MAIN-P.W.Board			<a href="#">R753</a>	06S45675W30	RES,RK 105J 1/10 -CP
MAIN-P.W.Board			<a href="#">R754</a>	06S45674W37	RES,RK 151J 1/10 -CP
MAIN-P.W.Board			<a href="#">R758</a>	06S45674W81	RES,RK 103J 1/10 -CP
MAIN-P.W.Board			<a href="#">R759</a>	06S45674W81	RES,RK 103J 1/10 -CP
MAIN-P.W.Board			<a href="#">R760</a>	06S45674W81	RES,RK 103J 1/10 -CP
MAIN-P.W.Board			<a href="#">R761</a>	06S45674W97	RES,RK 473J 1/10 -CP
MAIN-P.W.Board			<a href="#">R762</a>	06S45674W97	RES,RK 473J 1/10 -CP
MAIN-P.W.Board			<a href="#">R763</a>	06S45674W99	RES,RK 563J 1/10 -CP
MAIN-P.W.Board			<a href="#">R764</a>	06S45674W33	RES,RK 101J 1/10 -CP
MAIN-P.W.Board			<a href="#">R765</a>	06S45674W93	RES,RK 333J 1/10 -CP
MAIN-P.W.Board			<a href="#">R766</a>	06S45674W33	RES,RK 101J 1/10 -CP
MAIN-P.W.Board			<a href="#">R767</a>	06S45674W33	RES,RK 101J 1/10 -CP
MAIN-P.W.Board			<a href="#">R768</a>	06S45674W33	RES,RK 101J 1/10 -CP
MAIN-P.W.Board			<a href="#">R769</a>	06S45674W33	RES,RK 101J 1/10 -CP
MAIN-P.W.Board			<a href="#">R770</a>	06S45674W97	RES,RK 473J 1/10 -CP
MAIN-P.W.Board			<a href="#">R771</a>	06S45675W04	RES,RK 823J 1/10 -CP
MAIN-P.W.Board			<a href="#">R772</a>	06S45675W04	RES,RK 823J 1/10 -CP
MAIN-P.W.Board			<a href="#">R773</a>	06S45675W04	RES,RK 823J 1/10 -CP
MAIN-P.W.Board			<a href="#">R774</a>	06S70072F90	RES,CP .1R0-J-1/4-CP
MAIN-P.W.Board			<a href="#">R775</a>	06S45675W43	RES,RK JUMPER1/10-CP
MAIN-P.W.Board			<a href="#">R776</a>	06S45675W43	RES,RK JUMPER1/10-CP
MAIN-P.W.Board			<a href="#">R777</a>	06S45675W43	RES,RK JUMPER1/10-CP
MAIN-P.W.Board			<a href="#">R778</a>	06S45675W43	RES,RK JUMPER1/10-CP
MAIN-P.W.Board			<a href="#">R779</a>	06S45675W43	RES,RK JUMPER1/10-CP
MAIN-P.W.Board			<a href="#">R780</a>	06S45675W43	RES,RK JUMPER1/10-CP
MAIN-P.W.Board			<a href="#">R781</a>	06S45674W33	RES,RK 101J 1/10 -CP
MAIN-P.W.Board			<a href="#">R782</a>	06S45674W81	RES,RK 103J 1/10 -CP
MAIN-P.W.Board			<a href="#">R784</a>	06S45674W77	RES,RK 682J 1/10 -CP
MAIN-P.W.Board			<a href="#">R785</a>	06S45674W81	RES,RK 103J 1/10 -CP
MAIN-P.W.Board			<a href="#">R786</a>	06S45674W91	RES,RK 273J 1/10 -CP

Mark Model Code

#1 CDE-9881 (North American) Only,

\$1 CDE-9881 (General Foreign) Only,

%1 CDE-9881 (Chinese) Only,

&1 CDE-9881L Only,

Others : Common.

NOTE : The part that has not PART NUMBER will not be supplied.

P.W.Board	MIS	MODEL	Ref.	Parts No.	Parts Name
-----------	-----	-------	------	-----------	------------

MAIN-P.W.Board			<a href="#">R787</a>	06S45675W43	RES,RK JUMPER1/10-CP
MAIN-P.W.Board			<a href="#">R788</a>	06S45675W28	RES,RK 824J 1/10 -CP
MAIN-P.W.Board			<a href="#">R791</a>	06S45674W43	RES,RK 271J 1/10 -CP
MAIN-P.W.Board			<a href="#">R792</a>	06S45675W14	RES,RK 224J 1/10 -CP
MAIN-P.W.Board			<a href="#">R793</a>	06S45675W43	RES,RK JUMPER1/10-CP
MAIN-P.W.Board			<a href="#">R794</a>	06S45675W43	RES,RK JUMPER1/10-CP
MAIN-P.W.Board			<a href="#">R795</a>	06S45675W43	RES,RK JUMPER1/10-CP
MAIN-P.W.Board			<a href="#">R796</a>	06S45675W43	RES,RK JUMPER1/10-CP
MAIN-P.W.Board			<a href="#">R797</a>	06S45674W89	RES,RK 223J 1/10 -CP
MAIN-P.W.Board			<a href="#">R798</a>	06S45674W89	RES,RK 223J 1/10 -CP
MAIN-P.W.Board			<a href="#">R799</a>	06S15594Y09	RES,RK 304F 1/10 -CP
MAIN-P.W.Board			<a href="#">R800</a>	06S15594Y07	RES,RK 244F 1/10 -CP
MAIN-P.W.Board			<a href="#">R801</a>	06S55362Y01	RES,RK 303J 1/4 -CP
MAIN-P.W.Board			<a href="#">R802</a>	06S45674W71	RES,RK 392J 1/10 -CP
MAIN-P.W.Board			<a href="#">R803</a>	06S45674W89	RES,RK 223J 1/10 -CP
MAIN-P.W.Board			<a href="#">R804</a>	06S70072F58	RES,CF .162-J-1/4-CP
MAIN-P.W.Board			<a href="#">R805</a>	06S70072F61	RES,CP .222-J-1/4-CP
MAIN-P.W.Board			<a href="#">R806</a>	06S45674W33	RES,RK 101J 1/10 -CP
MAIN-P.W.Board			<a href="#">R807</a>	06S45675W22	RES,RK 474J 1/10 -CP
MAIN-P.W.Board			<a href="#">R808</a>	06S35083Y35	RES,RK 682F 1/4 -CP
MAIN-P.W.Board			<a href="#">R809</a>	06S35083Y31	RES,RK 332F 1/4 -CP
MAIN-P.W.Board			<a href="#">R810</a>	06S70072F50	RES,CP .751-J-1/4-CP
MAIN-P.W.Board			<a href="#">R811</a>	06S70072F99	RES,RK 273J 1/4 -CP
MAIN-P.W.Board			<a href="#">R812</a>	06S35095Y03	RES,RK 473J 1/4 -CP
MAIN-P.W.Board			<a href="#">R813</a>	06S70072F58	RES,CF .162-J-1/4-CP
MAIN-P.W.Board			<a href="#">R814</a>	06S70072F58	RES,CF .162-J-1/4-CP
MAIN-P.W.Board			<a href="#">R815</a>	06S70072F58	RES,CF .162-J-1/4-CP
MAIN-P.W.Board			<a href="#">R816</a>	06S70072F58	RES,CF .162-J-1/4-CP
MAIN-P.W.Board			<a href="#">R817</a>	06S45674W90	RES,RK 243J 1/10 -CP
MAIN-P.W.Board			<a href="#">R818</a>	06S70072F53	RES,CP .102-J-1/4-CP
MAIN-P.W.Board			<a href="#">R819</a>	06S70072F53	RES,CP .102-J-1/4-CP
MAIN-P.W.Board			<a href="#">R820</a>	06S70072F77	RES,CP .103-J-1/4-CP
MAIN-P.W.Board			<a href="#">R821</a>	06S45675W06	RES,RK 104J 1/10 -CP
MAIN-P.W.Board			<a href="#">R822</a>	06S70072F53	RES,CP .102-J-1/4-CP
MAIN-P.W.Board			<a href="#">R823</a>	06S45674W33	RES,RK 101J 1/10 -CP
MAIN-P.W.Board			<a href="#">R824</a>	06S70072F77	RES,CP .103-J-1/4-CP
MAIN-P.W.Board			<a href="#">R825</a>	06S70072F59	RES,CP .182-J-1/4-CP
MAIN-P.W.Board			<a href="#">R826</a>	06S70072F59	RES,CP .182-J-1/4-CP
MAIN-P.W.Board			<a href="#">R827</a>	06S70072F77	RES,CP .103-J-1/4-CP
MAIN-P.W.Board			<a href="#">R828</a>	06S70072F61	RES,CP .222-J-1/4-CP
MAIN-P.W.Board			<a href="#">R829</a>	06S45674W81	RES,RK 103J 1/10 -CP
MAIN-P.W.Board			<a href="#">R830</a>	06S70072F77	RES,CP .103-J-1/4-CP
MAIN-P.W.Board			<a href="#">R831</a>	06S70072F59	RES,CP .182-J-1/4-CP
MAIN-P.W.Board			<a href="#">R832</a>	06S70072F59	RES,CP .182-J-1/4-CP

Mark Model Code

#1 CDE-9881 (North American) Only,

\$1 CDE-9881 (General Foreign) Only,

%1 CDE-9881 (Chinese) Only,

&1 CDE-9881L Only,

Others : Common.

NOTE : The part that has not PART NUMBER will not be supplied.

P.W.Board	MIS	MODEL	Ref.	Parts No.	Parts Name
-----------	-----	-------	------	-----------	------------

MAIN-P.W.Board			<a href="#">R833</a>	06S70072F61	RES,CP .222-J-1/4-CP
MAIN-P.W.Board			<a href="#">R834</a>	06S45674W89	RES,RK 223J 1/10 -CP
MAIN-P.W.Board			<a href="#">R835</a>	06S45674W71	RES,RK 392J 1/10 -CP
MAIN-P.W.Board			<a href="#">R836</a>	06S45674W89	RES,RK 223J 1/10 -CP
MAIN-P.W.Board			<a href="#">R837</a>	06S45674W33	RES,RK 101J 1/10 -CP
MAIN-P.W.Board			<a href="#">R838</a>	06S45674W33	RES,RK 101J 1/10 -CP
MAIN-P.W.Board			<a href="#">R839</a>	06S45674W89	RES,RK 223J 1/10 -CP
MAIN-P.W.Board			<a href="#">R840</a>	06S45674W89	RES,RK 223J 1/10 -CP
MAIN-P.W.Board			<a href="#">R841</a>	06S45674W89	RES,RK 223J 1/10 -CP
MAIN-P.W.Board			<a href="#">R842</a>	06S45674W89	RES,RK 223J 1/10 -CP
MAIN-P.W.Board			<a href="#">R843</a>	06S45674W33	RES,RK 101J 1/10 -CP
MAIN-P.W.Board			<a href="#">R844</a>	06S45674W41	RES,RK 221J 1/10 -CP
MAIN-P.W.Board			<a href="#">R845</a>	06S45674W97	RES,RK 473J 1/10 -CP
MAIN-P.W.Board			<a href="#">R846</a>	06S45674W33	RES,RK 101J 1/10 -CP
MAIN-P.W.Board			<a href="#">R847</a>	06S15593Y97	RES,RK 104F 1/10 -CP
MAIN-P.W.Board			<a href="#">R855</a>	06S70072F61	RES,CP .222-J-1/4-CP
MAIN-P.W.Board			<a href="#">R856</a>	06S70072F77	RES,CP .103-J-1/4-CP
MAIN-P.W.Board			<a href="#">R857</a>	06S70072F61	RES,CP .222-J-1/4-CP
MAIN-P.W.Board			<a href="#">R858</a>	06T45541Y01	RES,RS 12RJ 2W +
MAIN-P.W.Board			<a href="#">RA705</a>	06S45591W07	RES,ARY MNR101J 4-CP
MAIN-P.W.Board			<a href="#">RA706</a>	06S45591W07	RES,ARY MNR101J 4-CP
MAIN-P.W.Board			<a href="#">RA708</a>	06S45591W16	RES,ARY MNR223J 4-CP
MAIN-P.W.Board			<a href="#">RA709</a>	06S45591W16	RES,ARY MNR223J 4-CP
MAIN-P.W.Board			<a href="#">RA710</a>	06S45591W16	RES,ARY MNR223J 4-CP
MAIN-P.W.Board			<a href="#">RA711</a>	06S45591W16	RES,ARY MNR223J 4-CP
MAIN-P.W.Board			<a href="#">SA001</a>	48T81048F02	PTT,DSP-201M -RD
MAIN-P.W.Board			<a href="#">SW501</a>	40T16096W03	SW ,TACT SKHHLW
MAIN-P.W.Board			<a href="#">TH501</a>	48T25250Y01	TMT,ERTJ1VV104J -CP
MAIN-P.W.Board			<a href="#">TU601</a>	TU-00887Z02	TUNER,MX-A196
MAIN-P.W.Board			<a href="#">XL501</a>	91T45118W47	XTL,8.000M -AT51-SL
MAIN-P.W.Board			<a href="#">XL502</a>	91T15849W02	XTAL,32.768KHZ
MAIN-P.W.Board			<a href="#">XL701</a>	91T45637Y08	XTL,CMR309T 16.9M-E9
MAIN-P.W.Board			<a href="#">Z802</a>	91T65112W06	EMI,BK2125HM102 -CP
MAIN-P.W.Board			<a href="#">ZD801</a>	48T25766W27	DIO,ZEN.HZS11A1L -R5
MAIN-P.W.Board			<a href="#">ZD802</a>	48T25766W09	DIO,ZEN.HZS 6C3L -R5
FRONT-P.W.Board			<a href="#">C400</a>	08T81833F07	CAP,CER 105K-B1C -CP
FRONT-P.W.Board			<a href="#">C401</a>	08S35349Y05	CAP,CER 681K-B1H -CP
FRONT-P.W.Board			<a href="#">C402</a>	08S45677W60	CAP,CER 102J-CH1H-CP
FRONT-P.W.Board			<a href="#">C403</a>	08S45676W89	CAP,CER 473K-B1E -CP
FRONT-P.W.Board			<a href="#">C404</a>	08S45676W89	CAP,CER 473K-B1E -CP
FRONT-P.W.Board			<a href="#">C405</a>	08S45676W80	CAP,CER 223K-B1E -CP
FRONT-P.W.Board			<a href="#">C406</a>	08S45676W89	CAP,CER 473K-B1E -CP
FRONT-P.W.Board			<a href="#">C407</a>	08S45676W89	CAP,CER 473K-B1E -CP
FRONT-P.W.Board			<a href="#">C408</a>	08S45676W89	CAP,CER 473K-B1E -CP



Mark Model Code

- #1 CDE-9881 (North American) Only,
- \$1 CDE-9881 (General Foreign) Only,
- %1 CDE-9881 (Chinese) Only,
- &1 CDE-9881L Only,

Others : Common.

NOTE : The part that has not PART NUMBER will not be supplied.

P.W.Board	MIS	MODEL	Ref.	Parts No.	Parts Name
-----------	-----	-------	------	-----------	------------

FRONT-P.W.Board			<a href="#">C409</a>	08S45676W80	CAP,CER 223K-B1E -CP
FRONT-P.W.Board			<a href="#">C411</a>	08S65676Y02	CAP,CER 475KX7R1A-CP
FRONT-P.W.Board			<a href="#">C412</a>	08S45676W80	CAP,CER 223K-B1E -CP
FRONT-P.W.Board			<a href="#">C413</a>	08S45676W85	CAP,CER 104K-B1C -CP
FRONT-P.W.Board			<a href="#">C414</a>	08T81833F11	CAP,CER 225K-B1C -CP
FRONT-P.W.Board			<a href="#">C415</a>	08S45676W85	CAP,CER 104K-B1C -CP
FRONT-P.W.Board			<a href="#">C420</a>	08S45676W80	CAP,CER 223K-B1E -CP
FRONT-P.W.Board			<a href="#">CB401</a>	09-04216Z01	BTB,DH16-P -B
FRONT-P.W.Board			<a href="#">D401</a>	48T81063F01	DIO,CP.MA159 / TX-CP
FRONT-P.W.Board			<a href="#">D403</a>	48T81063F01	DIO,CP.MA159 / TX-CP
FRONT-P.W.Board			<a href="#">D405</a>	48-06707Z01	DIO,MA3J147-TX -CP
FRONT-P.W.Board			<a href="#">D406</a>	48T81063F01	DIO,CP.MA159 / TX-CP
FRONT-P.W.Board			<a href="#">D407</a>	48T94471F04	DIO,IMN10-T108 -CP
FRONT-P.W.Board			<a href="#">D408</a>	48T85357W01	DIO,1PS226 -CP
FRONT-P.W.Board			<a href="#">D409</a>	48-06707Z01	DIO,MA3J147-TX -CP
FRONT-P.W.Board			<a href="#">D410</a>	48-06707Z01	DIO,MA3J147-TX -CP
FRONT-P.W.Board			<a href="#">D411</a>	48-06707Z01	DIO,MA3J147-TX -CP
FRONT-P.W.Board			<a href="#">D412</a>	48-06707Z01	DIO,MA3J147-TX -CP
FRONT-P.W.Board			<a href="#">D413</a>	48-06707Z01	DIO,MA3J147-TX -CP
FRONT-P.W.Board			<a href="#">D414</a>	48-06707Z01	DIO,MA3J147-TX -CP
FRONT-P.W.Board			<a href="#">D415</a>	48-08551Z01	LED,ARY QBL031 -DB
FRONT-P.W.Board			<a href="#">IC401</a>	51-02442Z01	PT6578LQ(L) -QT
FRONT-P.W.Board			<a href="#">IC402</a>	51-02441Z01	PT6553LQ(L) -QT
FRONT-P.W.Board			<a href="#">IC404</a>	51-05435Z01	SBX3055-02 -NE2
FRONT-P.W.Board			<a href="#">LCD401</a>	65-09017Z01	LCD,TB0291BMM0TTN-F
FRONT-P.W.Board			<a href="#">LD407</a>	48T15521Y02	LED,RED SML-310LT-CP
FRONT-P.W.Board			<a href="#">LD409</a>	48T15521Y02	LED,RED SML-310LT-CP
FRONT-P.W.Board			<a href="#">LD412</a>	48T15521Y02	LED,RED SML-310LT-CP
FRONT-P.W.Board			<a href="#">LD413</a>	48T15521Y02	LED,RED SML-310LT-CP
FRONT-P.W.Board			<a href="#">LD414</a>	48T15521Y02	LED,RED SML-310LT-CP
FRONT-P.W.Board			<a href="#">LD415</a>	48T15521Y02	LED,RED SML-310LT-CP
FRONT-P.W.Board			<a href="#">LD418</a>	48T15521Y02	LED,RED SML-310LT-CP
FRONT-P.W.Board			<a href="#">LD419</a>	48T15521Y02	LED,RED SML-310LT-CP
FRONT-P.W.Board			<a href="#">LD420</a>	48T15521Y02	LED,RED SML-310LT-CP
FRONT-P.W.Board			<a href="#">LD421</a>	48T15521Y02	LED,RED SML-310LT-CP
FRONT-P.W.Board			<a href="#">LD422</a>	48T15521Y02	LED,RED SML-310LT-CP
FRONT-P.W.Board			<a href="#">LD423</a>	48T15521Y02	LED,RED SML-310LT-CP
FRONT-P.W.Board			<a href="#">LD424</a>	48T15521Y02	LED,RED SML-310LT-CP
FRONT-P.W.Board			<a href="#">LD425</a>	48T15521Y02	LED,RED SML-310LT-CP
FRONT-P.W.Board			<a href="#">LD426</a>	48T15521Y02	LED,RED SML-310LT-CP
FRONT-P.W.Board			<a href="#">LD427</a>	48T15521Y02	LED,RED SML-310LT-CP
FRONT-P.W.Board			<a href="#">LD428</a>	48T15521Y02	LED,RED SML-310LT-CP
FRONT-P.W.Board			<a href="#">LD430</a>	48T15521Y02	LED,RED SML-310LT-CP
FRONT-P.W.Board			<a href="#">LD431</a>	48-05731Z01	LED,BLU SML012BCT-CP

Mark Model Code

#1 CDE-9881 (North American) Only,

\$1 CDE-9881 (General Foreign) Only,

%1 CDE-9881 (Chinese) Only,

&1 CDE-9881L Only,

Others : Common.

NOTE : The part that has not PART NUMBER will not be supplied.

P.W.Board	MIS	MODEL	Ref.	Parts No.	Parts Name
-----------	-----	-------	------	-----------	------------

FRONT-P.W.Board			<a href="#">LD432</a>	48-05731Z01	LED,BLU SML012BCT-CP
FRONT-P.W.Board			<a href="#">Q402</a>	48T63788F04	TR,2SD1328-T-TX -CP
FRONT-P.W.Board			<a href="#">Q404</a>	48T62967F23	TR,DTC143TKA-T146-CP
FRONT-P.W.Board			<a href="#">Q406</a>	48T62967F23	TR,DTC143TKA-T146-CP
FRONT-P.W.Board			<a href="#">Q408</a>	48T52438F04	TR ,2SD601A-S /TX-CP
FRONT-P.W.Board			<a href="#">Q409</a>	48T52438F04	TR ,2SD601A-S /TX-CP
FRONT-P.W.Board			<a href="#">Q411</a>	48T45594W16	TR,XN1A311-TX -CP
FRONT-P.W.Board			<a href="#">Q412</a>	48T45594W12	TR ,XN1A312 -TX-CP
FRONT-P.W.Board			<a href="#">R400</a>	06S45674W57	RES,RK 102J 1/10 -CP
FRONT-P.W.Board			<a href="#">R406</a>	06S45674W57	RES,RK 102J 1/10 -CP
FRONT-P.W.Board			<a href="#">R409</a>	06S55361Y65	RES,RK 102J 1/4 -CP
FRONT-P.W.Board			<a href="#">R410</a>	06S55361Y62	RES,RK 751J 1/4 -CP
FRONT-P.W.Board			<a href="#">R411</a>	06S55361Y69	RES,RK 152J 1/4 -CP
FRONT-P.W.Board			<a href="#">R412</a>	06S55361Y69	RES,RK 152J 1/4 -CP
FRONT-P.W.Board			<a href="#">R413</a>	06S70072F57	RES,CP .152-J-1/4-CP
FRONT-P.W.Board			<a href="#">R418</a>	06S45674W61	RES,RK 152J 1/10 -CP
FRONT-P.W.Board			<a href="#">R421</a>	06S45674W73	RES,RK 472J 1/10 -CP
FRONT-P.W.Board			<a href="#">R422</a>	06S45675W43	RES,RK JUMPER1/10-CP
FRONT-P.W.Board			<a href="#">R423</a>	06S70072F54	RES,CP .112-J-1/4-CP
FRONT-P.W.Board			<a href="#">R424</a>	06S70072F57	RES,CP .152-J-1/4-CP
FRONT-P.W.Board			<a href="#">R425</a>	06S70072F59	RES,CP .182-J-1/4-CP
FRONT-P.W.Board			<a href="#">R426</a>	06S55366Y06	RES,RK 473J 1/10 -CP
FRONT-P.W.Board			<a href="#">R427</a>	06S64995F53	RES,RK 102J 1/8 -CP
FRONT-P.W.Board			<a href="#">R428</a>	06S45674W73	RES,RK 472J 1/10 -CP
FRONT-P.W.Board			<a href="#">R429</a>	06S55361Y45	RES,RK 151J 1/4 -CP
FRONT-P.W.Board			<a href="#">R440</a>	06S55366Y05	RES,RK 433J 1/10 -CP
FRONT-P.W.Board			<a href="#">R441</a>	06S45674W73	RES,RK 472J 1/10 -CP
FRONT-P.W.Board			<a href="#">R442</a>	06S45674W73	RES,RK 472J 1/10 -CP
FRONT-P.W.Board			<a href="#">R443</a>	06S45674W73	RES,RK 472J 1/10 -CP
FRONT-P.W.Board			<a href="#">R445</a>	06S45674W97	RES,RK 473J 1/10 -CP
FRONT-P.W.Board			<a href="#">R446</a>	06S45674W73	RES,RK 472J 1/10 -CP
FRONT-P.W.Board			<a href="#">R447</a>	06S45674W73	RES,RK 472J 1/10 -CP
FRONT-P.W.Board			<a href="#">R448</a>	06S45674W73	RES,RK 472J 1/10 -CP
FRONT-P.W.Board			<a href="#">R449</a>	06S45674W73	RES,RK 472J 1/10 -CP
FRONT-P.W.Board			<a href="#">R450</a>	06S64995F79	RES,RK 123J 1/8 -CP
FRONT-P.W.Board			<a href="#">R451</a>	06S64995F53	RES,RK 102J 1/8 -CP
FRONT-P.W.Board			<a href="#">R452</a>	06S64995F53	RES,RK 102J 1/8 -CP
FRONT-P.W.Board			<a href="#">R453</a>	06S55361Y53	RES,RK 331J 1/4 -CP
FRONT-P.W.Board			<a href="#">R454</a>	06S15593Y49	RES,RK 102F 1/10 -CP
FRONT-P.W.Board			<a href="#">R455</a>	06S55366Y39	RES,RK JUMPER1/10-CP
FRONT-P.W.Board			<a href="#">R456</a>	06S55366Y39	RES,RK JUMPER1/10-CP
FRONT-P.W.Board			<a href="#">R457</a>	06S55361Y55	RES,RK 391J 1/4 -CP
FRONT-P.W.Board			<a href="#">R458</a>	06S55361Y55	RES,RK 391J 1/4 -CP
FRONT-P.W.Board			<a href="#">R459</a>	06S64995F53	RES,RK 102J 1/8 -CP



Mark Model Code

- #1 CDE-9881 (North American) Only,
- \$1 CDE-9881 (General Foreign) Only,
- %1 CDE-9881 (Chinese) Only,
- &1 CDE-9881L Only,

Others : Common.

NOTE : The part that has not PART NUMBER will not be supplied.

P.W.Board	MIS	MODEL	Ref.	Parts No.	Parts Name
-----------	-----	-------	------	-----------	------------

FRONT-P.W.Board			<a href="#">R460</a>	06S64995F53	RES,RK 102J 1/8 -CP
FRONT-P.W.Board			<a href="#">R461</a>	06S15593Y25	RES,RK 101F 1/10 -CP
FRONT-P.W.Board			<a href="#">R462</a>	06S64995F53	RES,RK 102J 1/8 -CP
FRONT-P.W.Board			<a href="#">R463</a>	06S64995F53	RES,RK 102J 1/8 -CP
FRONT-P.W.Board			<a href="#">R464</a>	06S64995F53	RES,RK 102J 1/8 -CP
FRONT-P.W.Board			<a href="#">R465</a>	06S64995F53	RES,RK 102J 1/8 -CP
FRONT-P.W.Board			<a href="#">R466</a>	06S64995F53	RES,RK 102J 1/8 -CP
FRONT-P.W.Board			<a href="#">R468</a>	06S55365Y73	RES,RK 222J 1/10 -CP
FRONT-P.W.Board			<a href="#">R469</a>	06S55362Y39	RES,RK JUMPER 1/4-CP
FRONT-P.W.Board			<a href="#">R470</a>	06S55361Y55	RES,RK 391J 1/4 -CP
FRONT-P.W.Board			<a href="#">R471</a>	06S45675W43	RES,RK JUMPER1/10-CP
FRONT-P.W.Board			<a href="#">R472</a>	06S64995F53	RES,RK 102J 1/8 -CP
FRONT-P.W.Board			<a href="#">R473</a>	06S45674W97	RES,RK 473J 1/10 -CP
FRONT-P.W.Board			<a href="#">R474</a>	06S45674W97	RES,RK 473J 1/10 -CP
FRONT-P.W.Board			<a href="#">R475</a>	06S45674W97	RES,RK 473J 1/10 -CP
FRONT-P.W.Board			<a href="#">R476</a>	06S45674W97	RES,RK 473J 1/10 -CP
FRONT-P.W.Board			<a href="#">RA401</a>	06S45591W06	RES,ARY MNR102J 4-CP
FRONT-P.W.Board			<a href="#">RA402</a>	06S45591W06	RES,ARY MNR102J 4-CP
FRONT-P.W.Board			<a href="#">SW401</a>	40T65353Y01	SW,TACT SKRSPACE010E2
FRONT-P.W.Board			<a href="#">SW402</a>	40T65353Y01	SW,TACT SKRSPACE010E2
FRONT-P.W.Board			<a href="#">SW403</a>	40T65353Y01	SW,TACT SKRSPACE010E2
FRONT-P.W.Board			<a href="#">SW404</a>	40T65353Y01	SW,TACT SKRSPACE010E2
FRONT-P.W.Board			<a href="#">SW405</a>	40T65353Y01	SW,TACT SKRSPACE010E2
FRONT-P.W.Board			<a href="#">SW406</a>	40T65353Y01	SW,TACT SKRSPACE010E2
FRONT-P.W.Board			<a href="#">SW407</a>	40T65353Y01	SW,TACT SKRSPACE010E2
FRONT-P.W.Board			<a href="#">SW408</a>	40T65353Y01	SW,TACT SKRSPACE010E2
FRONT-P.W.Board			<a href="#">SW409</a>	40T65353Y01	SW,TACT SKRSPACE010E2
FRONT-P.W.Board			<a href="#">SW410</a>	40T65353Y01	SW,TACT SKRSPACE010E2
FRONT-P.W.Board			<a href="#">SW411</a>	40T65353Y01	SW,TACT SKRSPACE010E2
FRONT-P.W.Board			<a href="#">SW412</a>	40T65353Y01	SW,TACT SKRSPACE010E2
FRONT-P.W.Board			<a href="#">SW413</a>	40T65353Y01	SW,TACT SKRSPACE010E2
FRONT-P.W.Board			<a href="#">SW414</a>	40T65353Y01	SW,TACT SKRSPACE010E2
FRONT-P.W.Board			<a href="#">SW415</a>	40T65353Y01	SW,TACT SKRSPACE010E2
FRONT-P.W.Board			<a href="#">SW416</a>	40T65353Y01	SW,TACT SKRSPACE010E2
FRONT-P.W.Board			<a href="#">SW417</a>	40T65353Y01	SW,TACT SKRSPACE010E2
FRONT-P.W.Board			<a href="#">SW418</a>	40T65353Y01	SW,TACT SKRSPACE010E2
FRONT-P.W.Board			<a href="#">SW419</a>	40T65353Y01	SW,TACT SKRSPACE010E2
FRONT-P.W.Board			<a href="#">SW420</a>	40-01691Z01	ENC,EC12E24244A3 -DB
FRONT-P.W.Board			<a href="#">ZD401</a>	48T62934F19	DIO,ZEN.RD5.1MB2 -CP
ESC-P.W.Board			<a href="#">CB6001</a>	09T75237Y20	BTB,BTFW20P-3SSTA-EJ
ESC-P.W.Board			<a href="#">CB6002</a>	09-04217Z01	BTB,DH16-S -B
ESC-P.W.Board			<a href="#">LD6001</a>	48T65688Y01	LED,AMB SML-511DW-CP
ESC-P.W.Board			<a href="#">LD6002</a>	48-05183Z01	LED,AMB SML-A12DT-CP
ESC-P.W.Board			<a href="#">LD6003</a>	48-05183Z01	LED,AMB SML-A12DT-CP







Mark Model Code

- #1 CDE-9881 (North American) Only,
- \$1 CDE-9881 (General Foreign) Only,
- %1 CDE-9881 (Chinese) Only,
- &1 CDE-9881L Only,

Others : Common.

NOTE : The part that has not PART NUMBER will not be supplied.

P.W.Board	MIS	MODEL	Ref.	Parts No.	Parts Name
-----------	-----	-------	------	-----------	------------

ESC-P.W.Board			<a href="#">Q6001</a>	48T62967F25	TR,DTC123JKA-T146-CP
ESC-P.W.Board			<a href="#">R6001</a>	06S70072F95	RES,RK 123J 1/4 -CP
ESC-P.W.Board			<a href="#">R6002</a>	06S70072F77	RES,CP .103-J-1/4-CP
ESC-P.W.Board			<a href="#">SW6001</a>	40-03466Z01	SW,DETCT SPVM1101-E5
ESC-P.W.Board			<a href="#">SW6002</a>	40T65353Y01	SW,TACT SKRSPACE010E2
ESC-P.W.Board			<a href="#">ZD6001</a>	48-02645Z22	DIO,ZEN MAZ80560L-CP
Miscellaneous			<a href="#">ET801</a>	09-08316Z01	ASSY,ANID-0045-01A
DP33U8B0			CB101	09-09314Z01	FFC,IMSA9664S-11Y-EQ
DP33U8B0			PT1	48-04836Z01	PHT,TR PS1191RB22-CP
DP33U8B0			PT2	48-04836Z01	PHT,TR PS1191RB22-CP
DP33U8B0			PT3	48-04836Z01	PHT,TR PS1191RB22-CP
DP33U8B0			C101	08S45677W42	CAP,CER.181J-CH1H-CP
DP33U8B0			C102	08S45677W42	CAP,CER.181J-CH1H-CP
DP33U8B0			C103	08S45677W42	CAP,CER.181J-CH1H-CP
DP33U8B0			LD101	48-01591Z01	LED,AN1105W-21 -CP
DP33U8B0			LD102	48-01591Z01	LED,AN1105W-21 -CP
DP33U8B0			LD103	48-01591Z01	LED,AN1105W-21 -CP
DP33U8B0			R101	06S45674W51	RES,RK 561J 1/10 -CP
DP33U8B0			R102	06S45674W51	RES,RK 561J 1/10 -CP
DP33U8B0			R103	06S45674W51	RES,RK 561J 1/10 -CP
DP33U8B0			HD1	EP-01327Z01	EP21A95T
DP33U8B0			M1	66-09123Z07	ASSY,SPDL MTR AOTA
DP33U8B0			M2	66-09123Z08	ASSY,LD-SLED MTR AOTA
DP33U8B0			SW1	40T15494Y15	SW,DETCT SPVG1107-E6

Mark Model Code

#1 CDE-9881 (North American) Only,

\$1 CDE-9881 (General Foreign) Only,

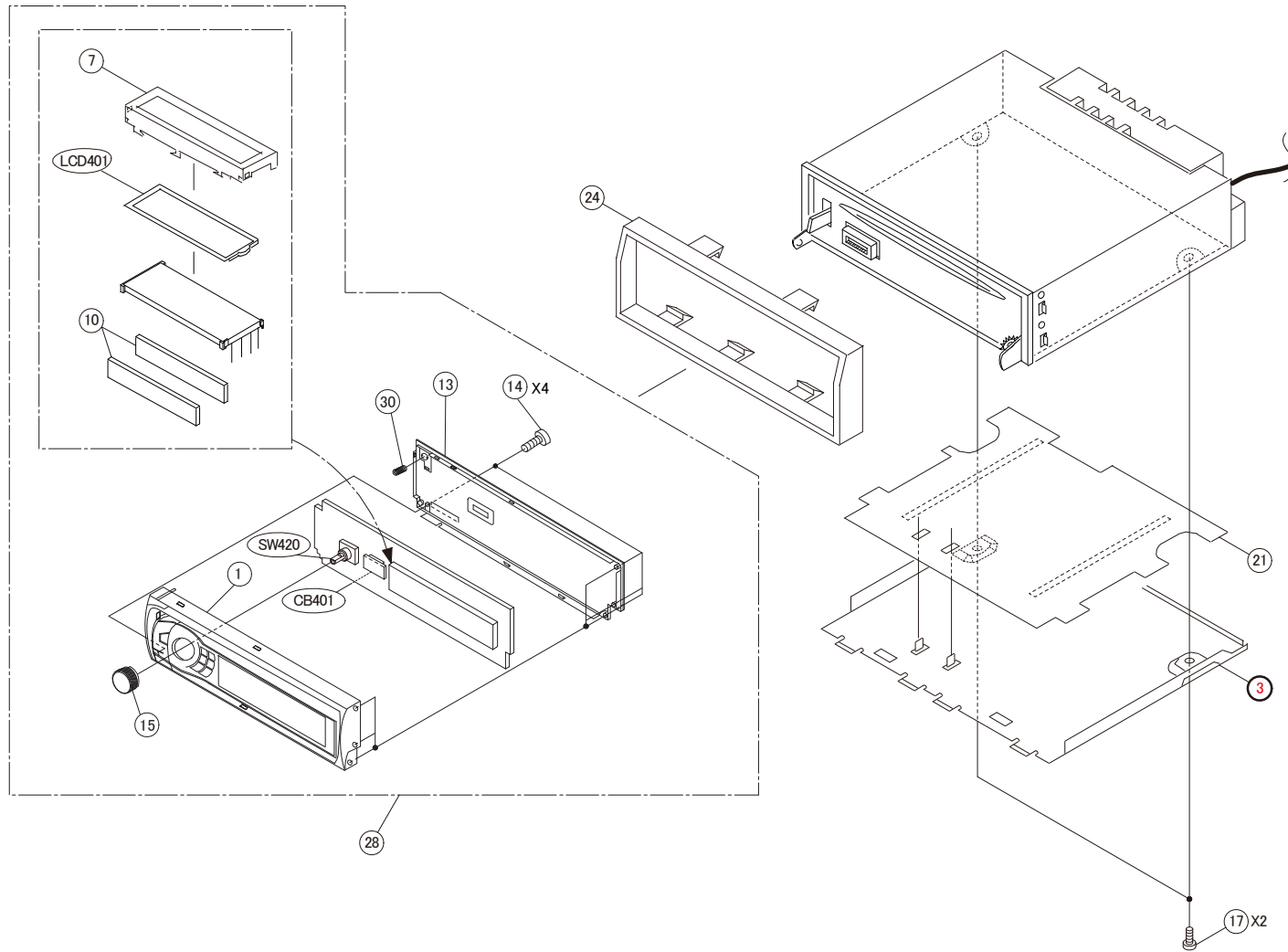
%1 CDE-9881 (Chinese) Only,

&1 CDE-9881L Only,

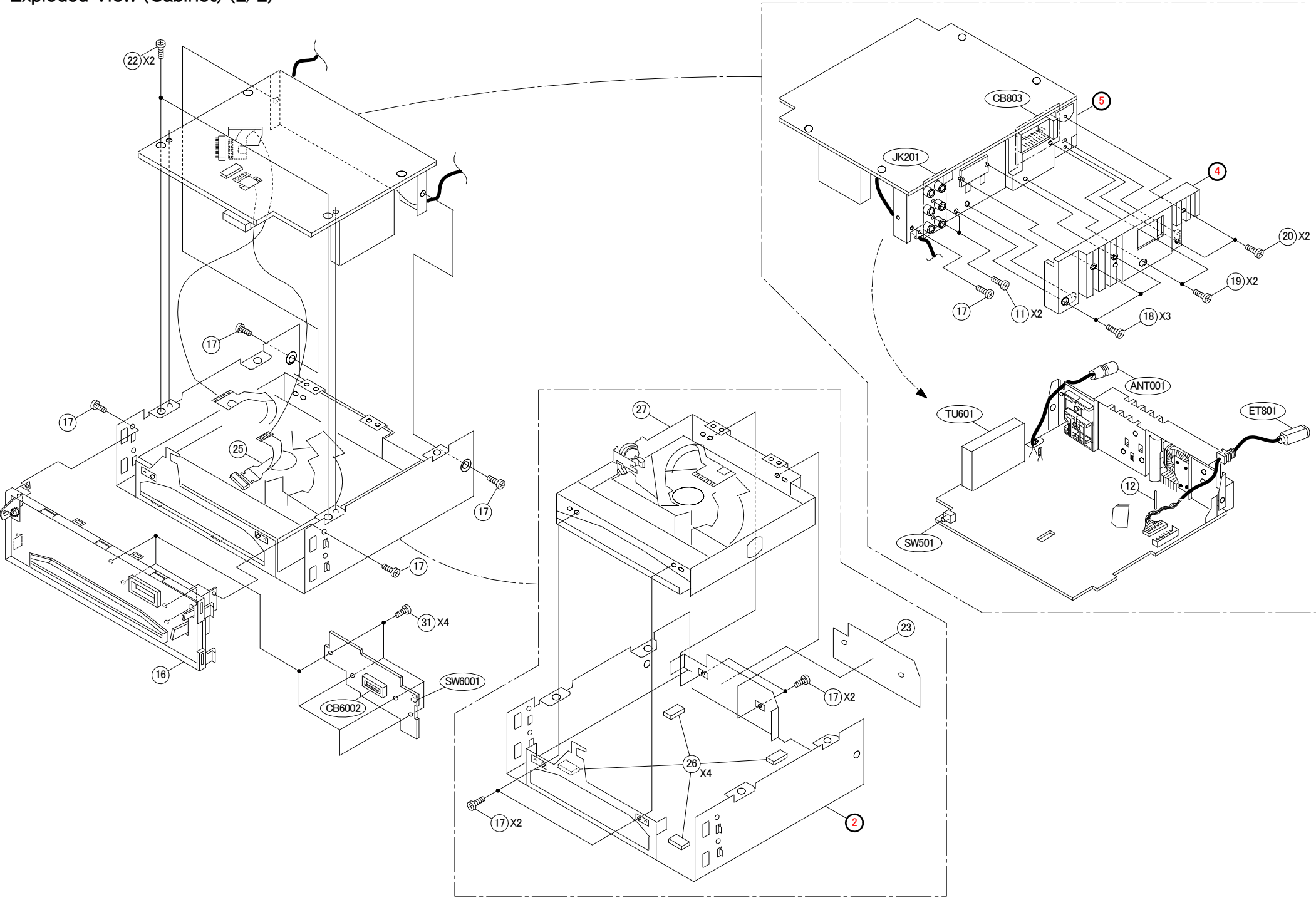
Others : Common.

NOTE : The part that has not PART NUMBER will not be supplied.

# Exploded View (Cabinet) (1/2)



Exploded View (Cabinet) (2/2)



MODEL	Symbol No.	Parts No.	Description
#1	<a href="#">1</a>	13-08505Z01	NOSE,PIECE ASSY
\$1	<a href="#">1</a>	13-08505Z01	NOSE,PIECE ASSY
%1	<a href="#">1</a>	13-08505Z01	NOSE,PIECE ASSY
&1	<a href="#">1</a>	13-08505Z04	NOSE,PIECE ASSY
	<a href="#">2</a>	-----	CHAS,BASE TOP
	<a href="#">3</a>	-----	COVER,BOTTOM
	<a href="#">4</a>	-----	HEAT,SINK
	<a href="#">5</a>	-----	BKT,CHAS REAR
	<a href="#">7</a>	15-08546Z01	COVER,LCD
	<a href="#">10</a>	75T03213K03	RUBBER,ELECTRIC
	<a href="#">11</a>	03S60825Y04	SCR,B-T 3X8 ZN A
	<a href="#">12</a>	09T84840F01	LUG,STYLE 18MM
	<a href="#">13</a>	13-08465Z02	NOSE,BOTTOM
	<a href="#">14</a>	03S70691Y11	SCR,B-T 1.7X8 ZB A
	<a href="#">15</a>	36-08479Z02	KNOB,ROTARY ASSY(A)
	<a href="#">16</a>	13-08506Z01	NOSE,BASE ASSY
	<a href="#">17</a>	03S60822Y12	SCR,S-T 2.6X6 ZN A
	<a href="#">18</a>	03S60822Y23	SCR,S-T 2.6X16 ZN A
	<a href="#">19</a>	03S60825Y09	SCR,B-T 3X6 ZN A
	<a href="#">20</a>	03S60822Y19	SCR,S-T 2.6X10 ZN A
	<a href="#">21</a>	14-08410Z01	INSULATOR,MAIN
	<a href="#">22</a>	03T25225Y01	SCR,GND
	<a href="#">23</a>	14-08597Z01	INS,REAR
	<a href="#">24</a>	33-05994Z01	FACE,PLATE
	<a href="#">25</a>	84-09445Z01	FPC,11PIN MECH
	<a href="#">26</a>	75-06068Z34	CUS,RUB 10X5XT1.65
	<a href="#">27</a>	DP-08135Z01	DP33U8B0
#1	<a href="#">28</a>	SU-10242Z01	SERVICE_NOSE_9881
\$1	<a href="#">28</a>	SU-10242Z01	SERVICE_NOSE_9881
%1	<a href="#">28</a>	SU-10242Z01	SERVICE_NOSE_9881
&1	<a href="#">28</a>	SU-10243Z01	SERVICE_NOSE_9881L
	<a href="#">30</a>	41-05515Z01	SPRING,OPEN
	<a href="#">31</a>	03S60823Y33	SCR,P-T 2X4 ZN A

Mark Model Code

#1 CDE-9881 (North American) Only,

\$1 CDE-9881 (General Foreign) Only,

%1 CDE-9881 (Chinese) Only,

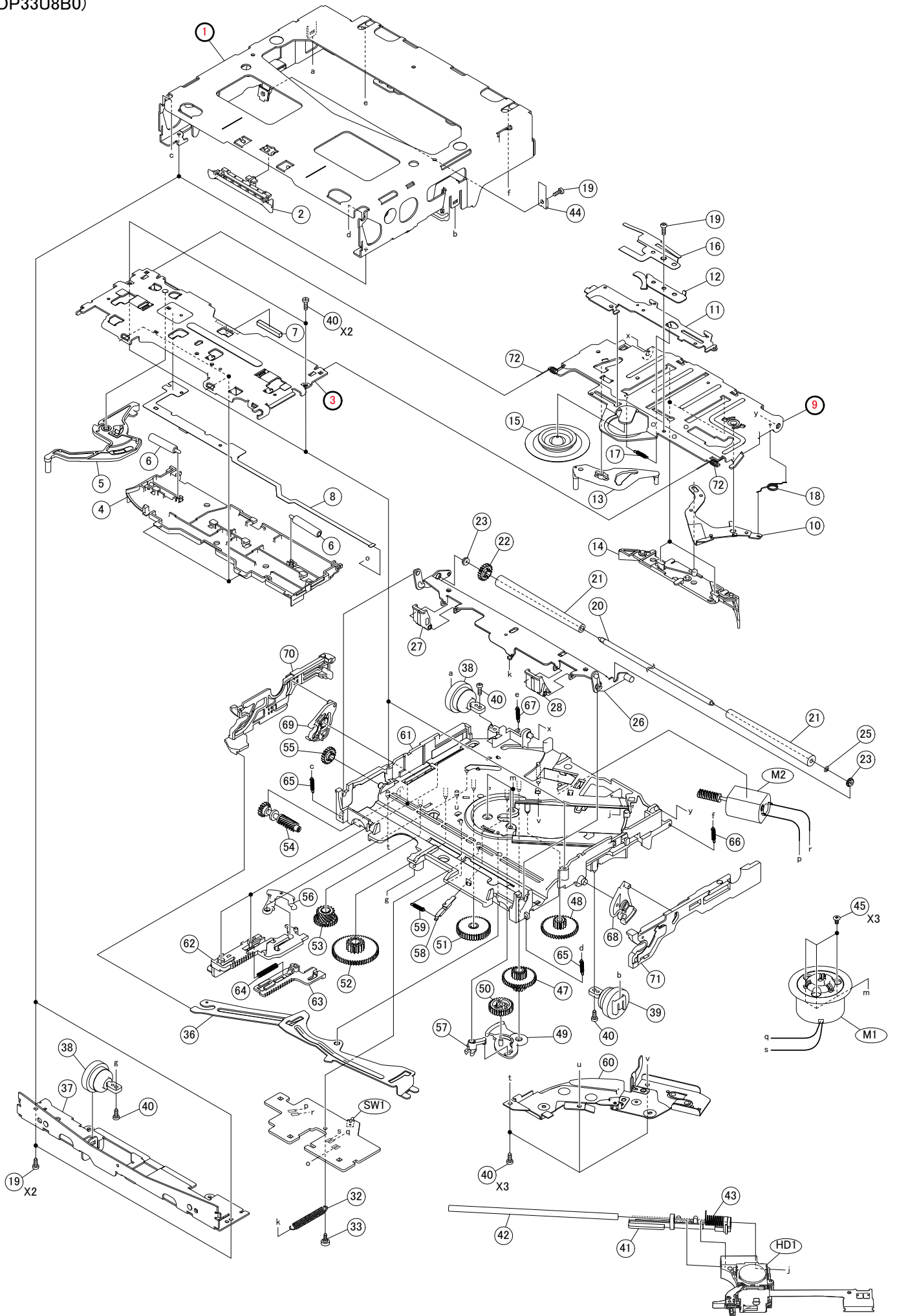
&1 CDE-9881L Only,

Others : Common.

NOTE : The part that has not PART NUMBER will not be supplied.

# Exploded View(CD Deck Mechanism)

(DP33U8B0)



MODEL	Symbol No.	Parts No.	Description
@	<a href="#">1</a>	-----	CHAS,BASE DP-U
	<a href="#">2</a>	15-04893Z02	GUIDE, TOP 2 DP-U
	<a href="#">3</a>	-----	CHAS, TOP DP-U
	<a href="#">4</a>	15-04874Z02	GUIDE, TOP DP-U
	<a href="#">5</a>	45-08629Z01	LEVER, DISC DP-U
	<a href="#">6</a>	49-08644Z01	ROLLER, TOP
	<a href="#">7</a>	14-06145Z26	INS, CVR 12X2.7XT2
	<a href="#">8</a>	84-05912Z01	FPC, PHOTO DP-U
	<a href="#">9</a>	-----	ARM, CLAMP DP-U
	<a href="#">10</a>	45-04869Z02	LEVER, RETURN
	<a href="#">11</a>	45-08656Z01	LEVER, LOCK 8CM DP-U
	<a href="#">12</a>	07-04871Z02	BKT, CLAMPER
	<a href="#">13</a>	45-04883Z02	LEVER, ACTUATOR DP-U
	<a href="#">14</a>	45-04884Z02	SLIDER, DISC DP-U
	<a href="#">15</a>	43-08616Z01	TABLE, CLAMPER DP-U
	<a href="#">16</a>	41-05525Z02	SPG, CLAMPER THRUST
	<a href="#">17</a>	41-05867Z08	SPRING, LEV. LOCK 8CM
	<a href="#">18</a>	41A11609Y02	SPRING, LEVER
	<a href="#">19</a>	03S60822Y43	SCR, S-T 2X3 ZN A
	<a href="#">20</a>	47-04894Z01	SHAFT, ROLLER DP-U
	<a href="#">21</a>	49-07008Z02	ROLLER, DP-U
	<a href="#">22</a>	44-08626Z01	GEAR, ROLLER
	<a href="#">23</a>	43-08617Z01	BUSH, ROLLER DP-U
	<a href="#">25</a>	04S40075G88	WAS, LOC 1.7X4.5X0.25
	<a href="#">26</a>	45-08511Z01	ARM, DISC GUIDE AOTA
	<a href="#">27</a>	45-04891Z02	ARM, FENCE L
	<a href="#">28</a>	45-04892Z02	ARM, FENCE R
	<a href="#">32</a>	41-05867Z09	SPRING, ROLLER AOTA
	<a href="#">33</a>	03S60823Y44	SCR, P-T 2X6 ZN A
	<a href="#">36</a>	45-08510Z01	LEVER, LINK DRIVE
	<a href="#">37</a>	07-04867Z02	BKT, DAMPER
	<a href="#">38</a>	75-03979Z03	DAMPER, DP-U Z03
	<a href="#">39</a>	75-03979Z04	DAMPER, DP-U Z04
	<a href="#">40</a>	03S70693Y06	SCR, P-T 2X6 ZB A
	<a href="#">41</a>	44-01339Z02	RACK, SLED
	<a href="#">42</a>	47-04895Z01	SHAFT, PICK DP-U
	<a href="#">43</a>	41-05866Z01	SPRING, SLED
	<a href="#">44</a>	41-09325Z01	SPRING, RATTLE L
	<a href="#">45</a>	03S60820Y72	SCR, MCH 1.7X3 ZN A
	<a href="#">47</a>	44-01329Z02	GEAR, A
	<a href="#">48</a>	44-01330Z02	GEAR, B
	<a href="#">49</a>	45-08631Z01	LEVER, TIMING GEAR
	<a href="#">50</a>	44-08620Z01	GEAR, C
	<a href="#">51</a>	44-08621Z01	GEAR, D
	<a href="#">52</a>	44-08622Z01	GEAR, E

Mark Model Code

#1 CDE-9881 (North American) Only,

\$1 CDE-9881 (General Foreign) Only,

%1 CDE-9881 (Chinese) Only,

&1 CDE-9881L Only,

Others : Common.

NOTE : The part that has not PART NUMBER will not be supplied.

MODEL	Symbol No.	Parts No.	Description
	<a href="#">53</a>	44-08623Z01	GEAR,F
	<a href="#">54</a>	44-08624Z01	GEAR,G
	<a href="#">55</a>	44-09654Z01	GEAR,H-2
	<a href="#">56</a>	45-08632Z01	LEVER,LOCK DP-U
	<a href="#">57</a>	45-08630Z01	LEVER,TIMING PICK
	<a href="#">58</a>	45-04889Z02	LEVER,SPINDLE
	<a href="#">59</a>	41-05867Z05	SPRING,SPINDLE
	<a href="#">60</a>	07-05523Z02	ASSY,RIV COVER MTR
	<a href="#">61</a>	27-04873Z02	CHAS,PICK DP-U
	<a href="#">62</a>	45-08633Z01	SLIDER,LOAD DP-U
	<a href="#">63</a>	45-04881Z02	SLIDER,TIMING_LOAD
	<a href="#">64</a>	41-05874Z01	SPRING,TIMING
	<a href="#">65</a>	41-05867Z02	SPRING,DRIVE F
	<a href="#">66</a>	41-05867Z03	SPRING,DRIVE RR
	<a href="#">67</a>	41-05867Z04	SPRING,DRIVE RL
	<a href="#">68</a>	45-04887Z02	ARM,LOCK R DP-U
	<a href="#">69</a>	45-04885Z02	ARM,LOCK L DP-U
	<a href="#">70</a>	45-04886Z02	SLIDER,LOCK L DP-U
	<a href="#">71</a>	45-04888Z02	SLIDER,LOCK R DP-U
	<a href="#">72</a>	41-05871Z01	SPRING,ARM CLAMP

Mark Model Code

#1 CDE-9881 (North American) Only,

\$1 CDE-9881 (General Foreign) Only,

%1 CDE-9881 (Chinese) Only,

&1 CDE-9881L Only,

Others : Common.

NOTE : The part that has not PART NUMBER will not be supplied.