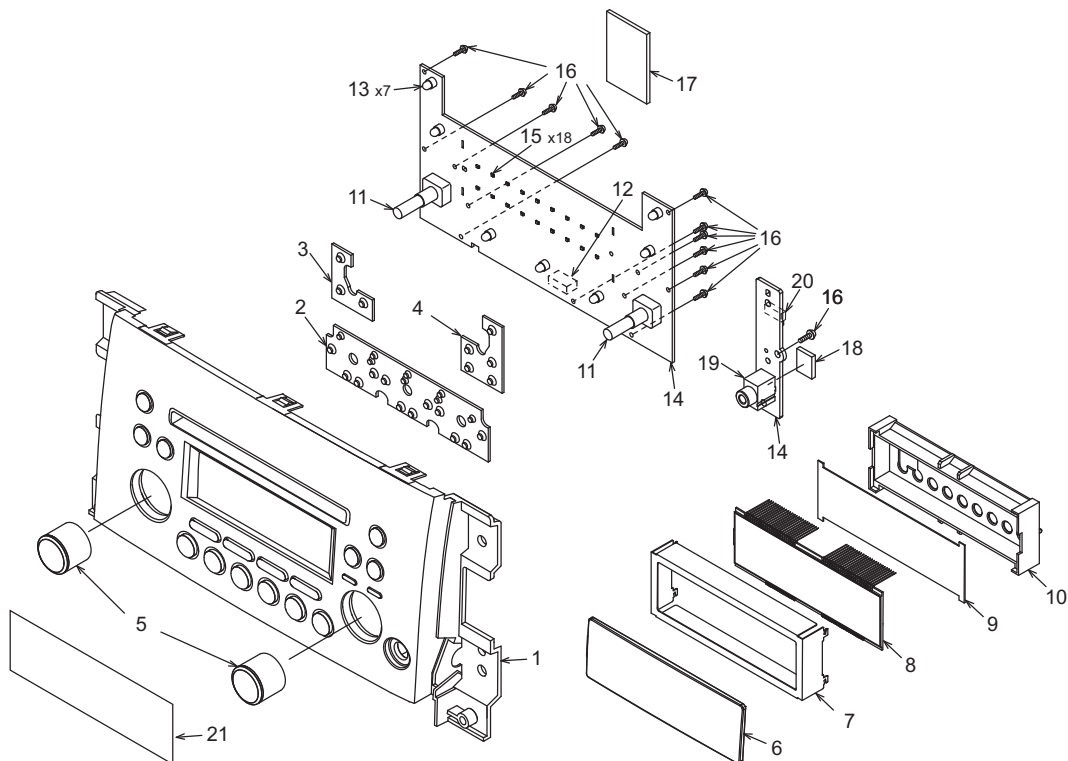


EXPLODED VIEW / PARTS LIST

Escutcheon section

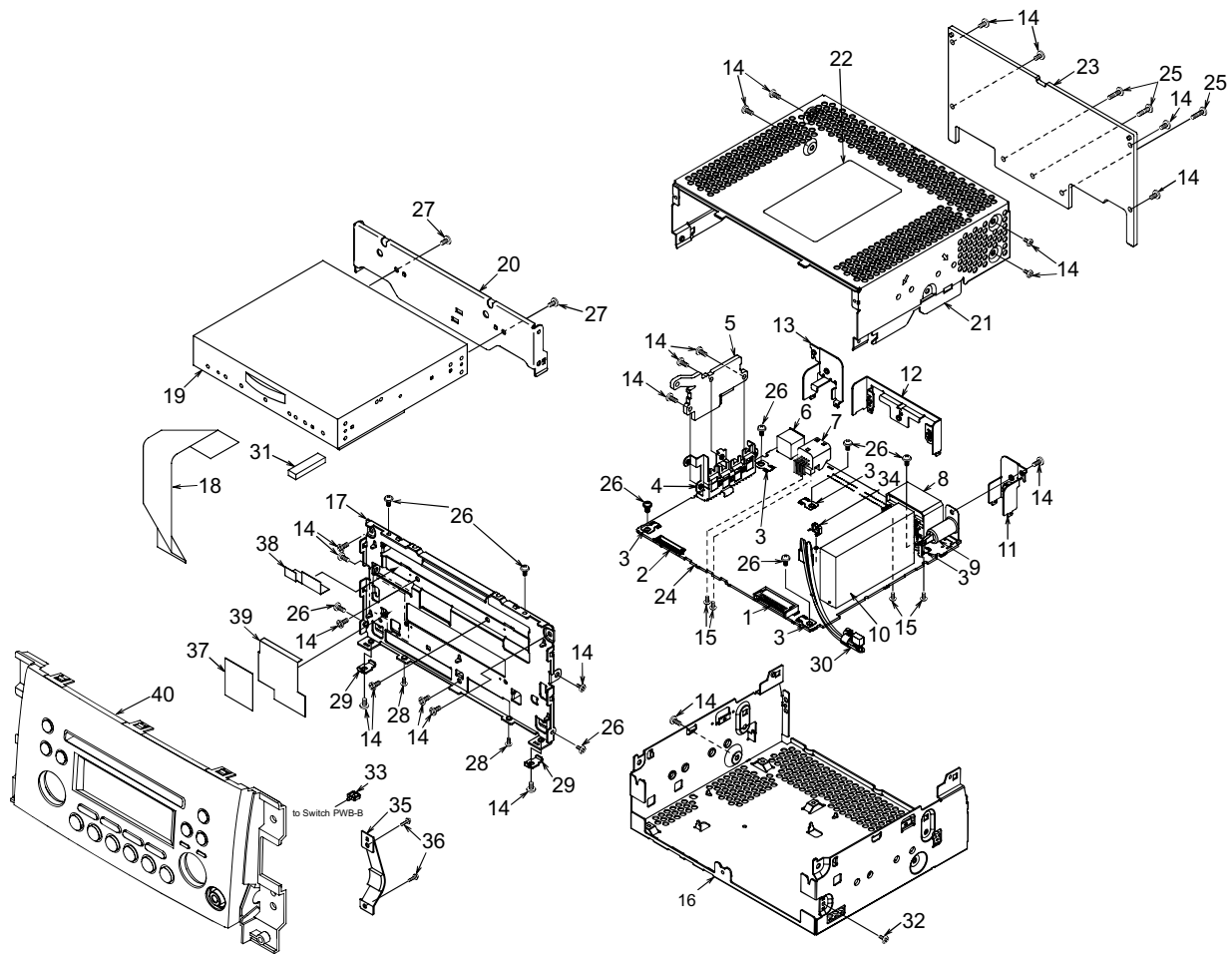


Note)Some parts depend on each model. The model name is specified in the description

NO.	PART NO.	DESCRIPTION	Q'TY
1	940-8478-22 940-8478-25	ES-ASSY (PS3180DA) ES-ASSY (PS3180DB)	1
2	345-5782-11	RUBBER SW (F)	1
3	345-5783-00	RUBBER SW (L)	1
4	345-6227-00	RUBBER SW (R)	1
5	380-5610-00	KNOB	2
6	373-1175-00	DIAL COVER	1
7	331-4550-01	LCD COVER	1
8	379-1429-50	INDICATOR (LCD)	1
9	335-8274-00	COLOR FILTER	1
10	335-8273-00	LCD HOLDER	1
11	016-0018-17	VR W/SHAFT	2

NO.	PART NO.	DESCRIPTION	Q'TY
12	074-3013-74	SOCKET (24P)	1
13	017-0508-00	PILOT LAMP	7
14	-----	Switch PWB	1
15	001-7094-91	LED (VFR1112H-TR)	18
16	716-0778-51	WAVE SCREW (M2x6)	12
17	345-6006-00	PROTECTOR	1
18	345-6382-00	PROTECTOR	1
19	075-9024-00	MINI JACK	1
20	076-6020-05	SOCKET (5P)	1
21	347-8647-00	PROTECTOR	1

Main section



Note)Some parts depend on each model. The model name is specified in the description

NO.	PART NO.	DESCRIPTION	Q'TY	NO.	PART NO.	DESCRIPTION	Q'TY
1	076-3011-74	PLUG (24P)	1	22	276-0597-09 276-0597-10	SETPLATE (PS3180DA) SETPLATE (PS3180DB)	1
2	074-1189-88	SOCKET (38P)	1	23	313-1962-00	HEAT SINK	1
3	073-0762-90	TERMINAL	5	24	-----	Main PWB	1
4	331-4126-00	TR HOLDER	1	25	714-2610-89	MACHINE SCREW (M2.6x10)	3
5	313-1966-00	SUB HEAT SINK	1	26	716-0878-50	IT SCREW (M2.6x5)	9
6	074-1194-00	SOCKET (13P)	1	27	714-2603-8B	MACHINE SCREW (M2.6x3)	2
7	074-1302-08	SOCKET (8P)	1	28	780-2603-06	IT SCREW (M2.6x3)	2
8	074-4007-20	SOCKET (20P)	1	29	331-4193-20	SU-PLATE	2
9	092-0702-50	ANT-RECEPT	1	30	854-8264-50	HERNESS	1
10	941-0236-00	TUNER PACK	1	31	345-5994-00	CUSHION RUBBER	1
11	331-4549-00	ANT HOLDER	1	32	780-2604-51	SPECIAL SCREW (M2.6x4)	1
12	331-4548-00	IC HOLDER	1	33	335-3700-00	MINI SADDLE	1
13	331-4547-00	SOCKET HOLDER	1	34	335-3701-00	MINI SADDLE	1
14	714-2606-8B	MACHINE SCREW (M2.6x6)	22	35	347-8736-00	PROTECTOR	1
15	778-3006-00	TAP SCREW (3x6)	4	36	716-0778-51	WAVE SCREW (M2.0x6)	2
16	311-1986-00	LOWER CASE	1	37	347-8738-00	PROTECTOR (F-WIRE)	1
17	309-1903-00	ES PLATE	1	38	347-8737-00	PROTECTOR (ES-PLT)	1
18	816-3034-50	FLAT WIRE	1	39	347-8746-00	PROTECTOR	1
19	929-5026-82	CD-MECH-MODULE	1	40	-----	ESCUTCHEON SECTION (Refer to page 4)	1
20	331-4123-00	CD BRKT	1				
21	310-1826-50	UPPER CASE	1				

ELECTRICAL PARTS LIST

Main PWB(B1) section

Note) Several different parts of the same reference number are alternative parts.

One of those parts is used in the set.

REF No.	PART No.	DESCRIPTION	REF No.	PART No.	DESCRIPTION	REF No.	PART No.	DESCRIPTION
ANT101	092-0702-50	ANT-RECEPT	C385	168-1042-78	16V 0.1uF K	D106	001-0580-90	1SS352
BL101	941-0236-00	AM/FM TUNER	C386	168-1042-78	16V 0.1uF K	D381	001-0580-90	1SS352
C108	166-8201-50	82pF CH	C387	168-1042-78	16V 0.1uF K	D391	001-0580-90	1SS352
C121	166-1801-50	18pF CH	C388	163-1053-65	50V 1uF	D505	001-0580-90	1SS352
C122	166-2211-50	220pF CH	C389	168-1042-78	16V 0.1uF K	D506	001-2403-90	M1F60
C123	043-0554-90	25V 10uF	C391	168-1042-78	16V 0.1uF K	D507	001-4301-25	HZU4.7B1
C126	163-1063-35	16V 10uF	C392	168-1042-78	16V 0.1uF K	D508	001-0466-90	S5688B
C127	166-1007-50	10pF CH	C393	168-1042-78	16V 0.1uF K	D509	001-0504-36	HZS7 A1L
C129	168-2232-55	0.022uF K	C394	168-1042-78	16V 0.1uF K	D701	001-0424-31	MA4180
C130	168-2232-55	0.022uF K	C395	168-1032-55	0.01uF K	D702	001-0424-31	MA4180
C131	188-4763-38	16V 47uF	C396	163-1053-65	50V 1uF	D703	001-0424-31	MA4180
C132	163-1063-35	16V 10uF	C397	042-1624-00	16V 4700uF	D711	001-0466-90	S5688B
C133	168-2232-55	0.022uF K	C398	163-1063-35	16V 10uF	D712	001-0466-90	S5688B
C138	168-1052-78	16V 1uF K	C399	163-1053-65	50V 1uF	D731	001-0466-90	S5688B
C142	168-4732-78	0.047uF K	C400	166-2201-50	22pF CH	D761	001-0504-40	HZS7 B3L
C143	168-4732-78	0.047uF K	C401	166-3911-50	390pF CH	D771	001-0347-44	MA4082M
C144	043-0548-50	10V 2.2uF	C402	043-0570-90	16V 2.2uF K	D801	001-0592-00	RM4Z
C151	168-2232-55	0.022uF K	C403	168-5632-78	16V 0.056uF K	D851	001-4301-68	HZU18B1
C153	168-2232-55	0.022uF K	C404	043-0570-90	16V 2.2uF K	IC104	051-3519-90	NJU7771F05-TE2
C160	168-1042-78	16V 0.1uF K	C405	188-1063-38	16V 10uF	IC121	051-6212-18	LC72191JM-UC
C169	168-1522-55	1500pF K	C406	188-1073-28	10V 100uF	IC241	051-3395-90	NJU7780U1-15-TE2
C212	188-4763-38	16V 47uF	C407	168-1042-78	16V 0.1uF K	IC271	051-3333-00	NJM2396F05
C222	168-1042-78	16V 0.1uF K	C408	166-3911-50	390pF CH	IC272	051-3366-00	NJM2396F08
C243	188-4763-38	16V 47uF	C409	043-0570-90	16V 2.2uF K	IC351	051-3034-90	NJM4558V
C244	168-1042-78	16V 0.1uF K	C410	168-5632-78	16V 0.056uF K	IC352	051-3034-90	NJM4558V
C245	168-1042-78	16V 0.1uF K	C411	043-0570-90	16V 2.2uF K	IC381	051-2042-00	TA8275H
C271	188-4763-38	16V 47uF	C412	168-1042-78	16V 0.1uF K	IC391	051-2040-00	TA8276H
C273	043-0328-90	50V 0.1uF	C413	043-0570-90	16V 2.2uF K	IC401	051-5046-90	CL7639V20
C274	189-2273-29	10V 220uF	C414	178-4732-78	0.047uF	IC501	052-3227-10	M30624MHP-474GP
C276	043-0328-90	50V 0.1uF	C415	178-2242-78	0.22uF	IC502	051-0869-58	NJM2103M
C301	178-1052-78	25V 1uF	C416	168-2232-55	0.022uF K	IC503	051-9402-68	BR93L56F-W
C302	178-1052-78	25V 1uF	C417	178-4742-78	0.47uF	IC504	051-6600-58	HA12187FP
C305	178-1052-78	25V 1uF	C418	168-4722-55	4700pF K	IC741	051-3369-00	NJM2388F84
C306	178-1052-78	25V 1uF	C419	178-4742-78	0.47uF	J221	074-1189-88	SOCKET(38P)
C307	178-1052-78	25V 1uF	C420	168-4722-55	4700pF K	J701	074-1194-00	SOCKET(13P) CE-NET
C308	178-1052-78	25V 1uF	C421	178-4742-78	0.47uF	J721	074-1302-08	SOCKET(8P)
C309	168-3932-78	0.039uF K	C422	168-4722-55	4700pF K	J801	074-4007-20	SOCKET(20P)
C310	168-3932-78	0.039uF K	C423	178-4742-78	0.47uF	L104	010-2003-04	30uH
C311	188-2253-68	50V 2.2uF	C424	168-4722-55	4700pF K	L122	010-6009-76	22uH J
C312	188-2253-68	50V 2.2uF	C501	168-1042-78	16V 0.1uF K	L135	010-6009-76	22uH J
C313	188-2253-68	50V 2.2uF	C502	188-4763-18	6.3V 47uF	L501	010-6009-76	22uH J
C314	188-2253-68	50V 2.2uF	C503	168-1032-55	0.01uF K	L502	010-6009-76	22uH J
C318	168-1522-55	1500pF K	C504	168-1032-55	0.01uF K	L801	010-8026-00	210uH
C319	168-1522-55	1500pF K	C505	168-1032-55	0.01uF K	P501	076-3011-74	PULAG(24P)
C334	166-4711-50	470pF CH	C506	168-1042-78	16V 0.1uF K	Q106	125-2026-91	UNR5211G
C335	166-4711-50	470pF CH	C507	188-1053-68	50V 1uF	Q107	125-2026-91	UNR5211G
C336	166-4711-50	470pF CH	C509	168-1022-55	1000pF K	Q391	125-2027-93	DTC144EUA
C337	166-4711-50	470pF CH	C510	168-1022-55	1000pF K	Q502	190-2071-00	2SA2071
C346	188-1073-28	10V 100uF	C511	168-1042-78	16V 0.1uF K	Q503	192-4116-51	2SC4116 G,L
C352	168-1042-78	16V 0.1uF K	C512	168-1032-55	0.01uF K	Q503	192-4155-51	2SC4155A S,T
C353	042-1562-15	10V 220uF	C513	189-1073-29	10V 100uF	Q503	193-1819-50	2SD1819AR,SL
C354	166-2201-50	22pF CH	C514	168-1042-78	16V 0.1uF K	Q504	192-4116-51	2SC4116 G,L
C355	166-2201-50	22pF CH	C515	166-1011-50	100pF CH	Q504	192-4155-51	2SC4155A S,T
C356	166-1007-50	10pF CH	C516	188-1063-38	16V 10uF	Q504	193-1819-50	2SD1819AR,SL
C357	166-1007-50	10pF CH	C517	042-0559-00	5.5V 0.1F	Q505	192-4116-51	2SC4116 G,L
C358	188-1063-38	16V 10uF	C722	168-1042-78	16V 0.1uF K	Q505	192-4155-51	2SC4155A S,T
C359	188-1063-38	16V 10uF	C731	172-1041-15	0.1uF	Q505	193-1819-50	2SD1819AR,SL
C360	188-1063-38	16V 10uF	C732	188-1053-68	50V 1uF	Q506	193-2118-50	2SD2118F5 R,S
C361	188-1063-38	16V 10uF	C741	043-0328-90	50V 0.1uF	Q701	192-4116-51	2SC4116 G,L
C362	166-2201-50	22pF CH	C744	188-1073-28	10V 100uF	Q701	192-4155-51	2SC4155A S,T
C363	163-1063-35	16V 10uF	C761	188-1063-38	16V 10uF	Q701	193-1819-50	2SD1819AR,SL
C364	163-1063-35	16V 10uF	C762	188-1063-38	16V 10uF	Q711	190-2071-00	2SA2071
C365	168-1042-78	16V 0.1uF K	C771	188-1073-28	10V 100uF	Q712	192-4116-51	2SC4116 G,L
C367	166-1007-50	10pF CH	C772	188-1063-38	16V 10uF	Q712	192-4155-51	2SC4155A S,T
C368	163-1063-35	16V 10uF	C791	188-4756-58	35V 4.7uF	Q712	193-1819-50	2SD1819AR,SL
C369	166-2201-50	22pF CH	C792	168-1042-78	16V 0.1uF K	Q761	192-5810-00	2SC5810 TE12L
C370	163-1063-35	16V 10uF	C811	172-1041-15	0.1uF	Q762	125-0021-91	DTA114EUA
C371	166-1007-50	10pF CH	C821	188-1063-38	16V 10uF	Q762	125-0025-92	RN2302
C382	178-2242-78	0.22uF	CCT501	050-0140-54	1/32W 1k ohm x4J	Q762	125-0034-92	RT1P141M
C383	042-1624-00	16V 4700uF	CCT504	050-0140-54	1/32W 1k ohm x4J	Q763	125-2027-91	DTC114EUA
C384	163-1063-35	16V 10uF	CCT505	050-0140-54	1/32W 1k ohm x4J			

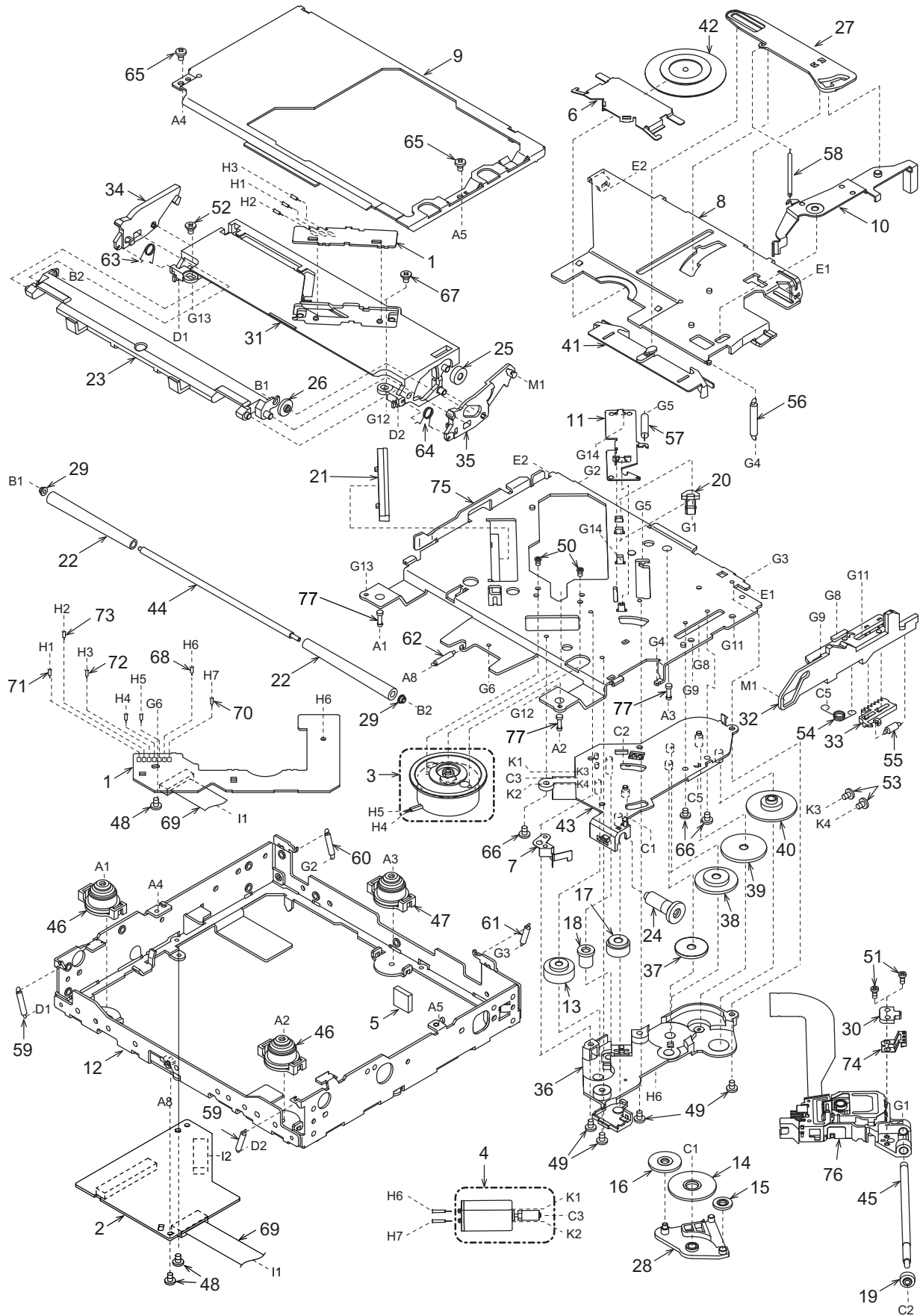
Note) Several different parts of the same reference number are alternative parts.
One of those parts is used in the set.

REF No.	PART No.	DESCRIPTION	REF No.	PART No.	DESCRIPTION	REF No.	PART No.	DESCRIPTION
Q763	125-2032-92	RN1302	R360	032-0140-50	1/10W 10k ohm F	R550	032-0140-22	1/10W 68k ohm F
Q763	125-2041-91	RT1N431M-T111	R362	032-0140-50	1/10W 10k ohm F	R551	032-0140-00	1/10W 56k ohm F
Q771	192-5886-00	2SC5886	R363	032-0140-50	1/10W 10k ohm F	R552	117-6821-15	1/8W 6.8k ohm
Q775	192-4116-51	2SC4116 G,L	R364	032-0140-50	1/10W 10k ohm F	R553	119-4731-15	1/10W 47k ohm
Q775	192-4155-51	2SC4155A S,T	R365	032-0140-50	1/10W 10k ohm F	R554	119-4731-15	1/10W 47k ohm
Q775	193-1819-50	2SD1819AR,SL	R368	032-0140-50	1/10W 10k ohm F	R555	119-5621-15	1/10W 5.6k ohm
Q776	125-0021-91	DTA114EUA	R370	032-0140-50	1/10W 10k ohm F	R556	119-1021-15	1/10W 1k ohm
Q776	125-0025-92	RN2302	R371	032-0140-50	1/10W 10k ohm F	R557	119-4731-15	1/10W 47k ohm
Q776	125-0034-92	RT1P141M	R372	032-0140-50	1/10W 10k ohm F	R558	119-1031-15	1/10W 10k ohm
Q777	125-2027-91	DTC114EUA	R381	119-0000-05	1/10W 0 ohm JW	R567	119-4731-15	1/10W 47k ohm
Q777	125-2032-92	RN1302	R382	119-1021-15	1/10W 1k ohm	R569	119-4731-15	1/10W 47k ohm
Q777	125-2041-91	RT1N431M-T111	R383	119-1031-15	1/10W 10k ohm	R572	119-4731-15	1/10W 47k ohm
Q791	192-4116-51	2SC4116 G,L	R391	119-5631-15	1/10W 56k ohm	R574	119-4731-15	1/10W 47k ohm
Q791	192-4155-51	2SC4155A S,T	R392	119-1221-15	1/10W 1.2k ohm	R575	119-4731-15	1/10W 47k ohm
Q791	193-1819-50	2SD1819AR,SL	R393	119-2221-15	1/10W 2.2k ohm	R577	119-4731-15	1/10W 47k ohm
Q792	192-4116-51	2SC4116 G,L	R394	119-2221-15	1/10W 2.2k ohm	R578	119-4721-15	1/10W 4.7k ohm
Q792	192-4155-51	2SC4155A S,T	R395	119-2221-15	1/10W 2.2k ohm	R579	119-4721-15	1/10W 4.7k ohm
Q792	193-1819-50	2SD1819AR,SL	R396	119-2221-15	1/10W 2.2k ohm	R701	116-1211-15	1/4W 12k ohm
Q793	192-4116-51	2SC4116 G,L	R397	119-1031-15	1/10W 10k ohm	R702	116-6801-15	1/4W 68 ohm
Q793	192-4155-51	2SC4155A S,T	R400	119-1031-15	1/10W 10k ohm	R703	119-2231-15	1/10W 22k ohm
Q793	193-1819-50	2SD1819AR,SL	R401	119-2731-15	1/10W 27k ohm	R704	119-2231-15	1/10W 22k ohm
Q821	190-2071-00	2SA2071	R402	119-2021-15	1/10W 2k ohm	R711	116-2221-15	1/4W 2.2k ohm
Q822	192-4116-51	2SC4116 G,L	R403	119-2731-15	1/10W 27k ohm	R712	117-1031-15	1/8W 10k ohm
Q822	192-4155-51	2SC4155A S,T	R404	119-2021-15	1/10W 2k ohm	R713	116-2221-15	1/4W 2.2k ohm
Q822	193-1819-50	2SD1819AR,SL	R405	119-0000-05	1/10W 0 ohm JW	R714	119-1031-15	1/10W 10k ohm
R107	119-5131-15	1/10W 51k ohm	R407	119-1031-15	1/10W 10k ohm	R715	119-3321-15	1/10W 3.3k ohm
R121	119-4731-15	1/10W 47k ohm	R408	119-2731-15	1/10W 27k ohm	R726	119-1021-15	1/10W 1k ohm
R123	119-0000-05	1/10W 0 ohm JW	R409	119-2731-15	1/10W 27k ohm	R731	116-5621-15	1/4W 5.6k ohm
R125	119-0000-05	1/10W 0 ohm JW	R502	119-4721-15	1/10W 4.7k ohm	R732	116-4721-15	1/4W 4.7k ohm
R126	119-4731-15	1/10W 47k ohm	R504	119-4721-15	1/10W 4.7k ohm	R761	032-0092-56	1/8W 22k ohm F
R127	119-4731-15	1/10W 47k ohm	R505	119-1041-15	1/10W 100k ohm	R762	032-0092-31	1/8W 150k ohm F
R128	119-1011-15	1/10W 100 ohm	R506	119-1041-15	1/10W 100k ohm	R763	032-0092-56	1/8W 1k ohm F
R129	119-4731-15	1/10W 47k ohm	R507	119-4731-15	1/10W 47k ohm	R764	119-1221-15	1/10W 1.2k ohm
R130	119-0000-05	1/10W 0 ohm JW	R508	119-4731-15	1/10W 47k ohm	R773	116-1021-15	1/4W 1k ohm
R131	119-0000-05	1/10W 0 ohm JW	R510	119-4721-15	1/10W 4.7k ohm	R779	116-1821-15	1/4W 1.8k ohm
R132	119-1011-15	1/10W 100 ohm	R511	119-4721-15	1/10W 4.7k ohm	R780	117-1821-15	1/8W 1.8k ohm
R134	119-0000-05	1/10W 0 ohm JW	R512	119-4721-15	1/10W 4.7k ohm	R791	119-0000-05	1/10W 0 ohm JW
R139	119-5621-15	1/10W 5.6k ohm	R513	119-4721-15	1/10W 4.7k ohm	R792	116-4721-15	1/4W 4.7k ohm
R140	119-5621-15	1/10W 5.6k ohm	R514	119-1021-15	1/10W 1k ohm	R795	119-4721-15	1/10W 4.7k ohm
R221	119-4731-15	1/10W 47k ohm	R515	119-1041-15	1/10W 100k ohm	R796	116-5611-15	1/4W 560 ohm
R271	119-4731-15	1/10W 47k ohm	R516	119-1041-15	1/10W 100k ohm	R797	119-4721-15	1/10W 4.7k ohm
R275	119-0000-05	1/10W 0 ohm JW	R517	116-1001-15	1/4W 10 ohm	R798	119-4721-15	1/10W 4.7k ohm
R301	119-1021-15	1/10W 1k ohm	R520	119-4731-15	1/10W 47k ohm	R799	119-1831-15	1/10W 18k ohm
R302	119-1021-15	1/10W 1k ohm	R522	119-4731-15	1/10W 47k ohm	R801	119-0000-05	1/10W 0 ohm JW
R305	119-1021-15	1/10W 1k ohm	R525	119-0000-05	1/10W 0 ohm JW	R802	119-0000-05	1/10W 0 ohm JW
R306	119-1021-15	1/10W 1k ohm	R527	119-4721-15	1/10W 4.7k ohm	R821	116-4721-15	1/4W 4.7k ohm
R307	119-1021-15	1/10W 1k ohm	R528	032-0140-66	1/10W 220 ohm F	R822	119-3321-15	1/10W 3.3k ohm
R308	119-1021-15	1/10W 1k ohm	R529	119-1031-15	1/10W 10k ohm	R823	119-1031-15	1/10W 10k ohm
R309	119-1021-15	1/10W 1k ohm	R531	119-1031-15	1/10W 10k ohm	R824	116-2221-15	1/4W 2.2k ohm
R310	119-1021-15	1/10W 1k ohm	R532	119-4721-15	1/10W 4.7k ohm	R825	116-2221-15	1/4W 2.2k ohm
R311	119-5631-15	1/10W 56k ohm	R533	119-4721-15	1/10W 4.7k ohm	R826	119-8221-15	1/10W 8.2k ohm
R312	119-5631-15	1/10W 56k ohm	R534	119-1021-15	1/10W 1k ohm	R901	119-0000-05	1/10W 0 ohm JW
R313	119-5631-15	1/10W 56k ohm	R535	119-1031-15	1/10W 10k ohm	R908	119-0000-05	1/10W 0 ohm JW
R314	119-5631-15	1/10W 56k ohm	R536	119-2221-15	1/10W 2.2k ohm	SUP101	060-0122-20	DSP-141N-S00B
R323	119-0000-05	1/10W 0 ohm JW	R537	119-1031-15	1/10W 10k ohm	TC121	004-1580-10	30PF GRN
R324	119-0000-05	1/10W 0 ohm JW	R538	119-1031-15	1/10W 10k ohm	TH711	002-0318-21	TERMINATOR
R325	119-0000-05	1/10W 0 ohm JW	R539	119-1031-15	1/10W 10k ohm	TM101	073-0762-90	TERMINAL
R326	119-0000-05	1/10W 0 ohm JW	R540	119-4731-15	1/10W 47k ohm	TM501	073-0762-90	TERMINAL
R351	119-8211-15	1/10W 820 ohm	R541	119-5621-15	1/10W 5.6k ohm	TM502	073-0762-90	TERMINAL
R352	119-1021-15	1/10W 1k ohm	R542	119-2231-15	1/10W 22k ohm	TM801	073-0762-90	TERMINAL
R353	032-0140-50	1/10W 10k ohm F	R543	119-1031-15	1/10W 10k ohm	TM802	073-0762-90	TERMINAL
R354	032-0140-50	1/10W 10k ohm F	R544	119-4731-15	1/10W 47k ohm	X121	061-1066-00	7.2Mhz
R355	032-0140-50	1/10W 10k ohm F	R545	119-6831-15	1/10W 68k ohm	X501	060-1533-90	CSTCE10M0G52-RO
R356	032-0140-50	1/10W 10k ohm F	R546	119-1021-15	1/10W 1k ohm	PWB	039-3429-00	PWB(WITHOUT COMPONENT)
R357	032-0140-50	1/10W 10k ohm F	R547	119-1021-15	1/10W 1k ohm			
R358	032-0140-50	1/10W 10k ohm F	R548	119-1031-15	1/10W 10k ohm			
R359	032-0140-50	1/10W 10k ohm F	R549	119-3341-15	1/10W 330k ohm			

Switch PWB(B2) section

REF No.	PART No.	DESCRIPTION	REF No.	PART No.	DESCRIPTION	REF No.	PART No.	DESCRIPTION
C1	168-1042-78	16V 0.1uF K	D922	001-7094-91	VFR1112H-TR	R922	119-1841-15	1/10W 180k ohm
C901	168-1042-78	16V 0.1uF K	D923	001-7094-91	VFR1112H-TR	R923	119-1841-15	1/10W 180k ohm
C902	168-1042-78	16V 0.1uF K	IC901	051-6084-00	NJU6625FG1-03	R924	119-1841-15	1/10W 180k ohm
C903	168-1042-78	16V 0.1uF K	J1	075-9024-00	MINI-JACK	R925	119-2711-15	1/10W 270 ohm
C904	168-1042-78	16V 0.1uF K	J901	074-3013-74	24P	R926	119-2711-15	1/10W 270 ohm
C905	168-1042-78	16V 0.1uF K	L901	010-3406-66	22uH J	R927	119-3011-15	1/10W 300 ohm
C906	178-1052-78	1uF	LCD901	379-1429-50	INDICATOR (LCD)	R928	119-2711-15	1/10W 270 ohm
D901	001-0580-90	1SS352	P1	076-6020-05	5P	R929	119-2711-15	1/10W 270 ohm
D902	001-0580-90	1SS352	PL901	017-0508-00	14V 40mA (RED)	R930	119-3011-15	1/10W 300 ohm
D903	001-0580-90	1SS352	PL902	017-0508-00	14V 40mA (RED)	R931	119-2711-15	1/10W 270 ohm
D904	001-0580-90	1SS352	PL903	017-0508-00	14V 40mA (RED)	R932	119-2711-15	1/10W 270 ohm
D905	001-7094-91	VFR1112H-TR	PL904	017-0508-00	14V 40mA (RED)	R933	119-3011-15	1/10W 300 ohm
D906	001-7094-91	VFR1112H-TR	PL905	017-0508-00	14V 40mA (RED)	R934	119-2711-15	1/10W 270 ohm
D907	001-7094-91	VFR1112H-TR	PL907	017-0508-00	14V 40mA (RED)	R935	119-2711-15	1/10W 270 ohm
D908	001-7094-91	VFR1112H-TR	PL908	017-0508-00	14V 40mA (RED)	R936	119-3011-15	1/10W 300 ohm
D909	001-7094-91	VFR1112H-TR	R1	119-0000-05	1/10W 0 ohm JW	R937	119-2711-15	1/10W 270 ohm
D910	001-7094-91	VFR1112H-TR	R901	119-0000-05	1/10W 0 ohm JW	R938	119-2711-15	1/10W 270 ohm
D911	001-7094-91	VFR1112H-TR	R902	119-0000-05	1/10W 0 ohm JW	R939	119-3011-15	1/10W 300 ohm
D912	001-7094-91	VFR1112H-TR	R907	119-0000-05	1/10W 0 ohm JW	R941	119-2711-15	1/10W 270 ohm
D913	001-7094-91	VFR1112H-TR	R908	119-0000-05	1/10W 0 ohm JW	R942	119-2711-15	1/10W 270 ohm
D914	001-0580-90	1SS352	R909	119-0000-05	1/10W 0 ohm JW	R943	119-3011-15	1/10W 300 ohm
D915	001-7094-91	VFR1112H-TR	R910	119-0000-05	1/10W 0 ohm JW	TH901	002-0315-00	TN10-3U153JT
D916	001-7094-91	VFR1112H-TR	R915	119-0000-05	1/10W 0 ohm JW	VR901	016-0018-17	ROTALY ENCODER
D917	001-7094-91	VFR1112H-TR	R916	119-0000-05	1/10W 0 ohm JW	VR902	016-0018-17	ROTALY ENCODER
D918	001-7094-91	VFR1112H-TR	R918	119-4341-15	1/10W 430k ohm	VR903	012-6004-63	470k ohm B VR
D919	001-7094-91	VFR1112H-TR	R919	119-1021-15	1/10W 1k ohm	PWB	039-3434-01	PWB(WITHOUT COMPONENT)
D920	001-7094-91	VFR1112H-TR	R920	119-1021-15	1/10W 1k ohm			
D921	001-7094-91	VFR1112H-TR	R921	119-1841-15	1/10W 180k ohm			

EXPLODED VIEW/PARTS LIST



NO.	PART NO.	DESCRIPTION	Q'TY	NO.	PART NO.	DESCRIPTION	Q'TY
1	-----	SENSOR PWB	1	40	621-1751-20	POWER GEAR D	1
2	-----	CD PWB	1	41	621-1752-20	DISC STOPPER	1
3	SMA-182-100	SPINDLE MOTOR-ASSY	1	42	621-1753-20	CLAMPER RING	1
4	SMA-183-100	SLED MOTOR-ASSY	1	43	621-1754-20	GEAR BASE	1
5	345-5476-20	CUSHION RUBBER	1	44	622-1571-21	ROLLER SHAFT	1
6	620-1023-23	CLAMPER PLATE	1	45	624-0020-00	LEAD SCREW	1
7	620-1026-21	SPRING PLATE	1	46	629-0086-20	DAMPER F	2
8	620-1596-23	CLAMPER LINK	1	47	629-0087-20	DAMPER R	1
9	620-1862-20	UPPER CHASSIS	1	48	716-1507-01	SCREW(M2x3)	3
10	620-1752-20	SENSOR ARM	1	49	716-1670-01	SCREW(M2x4)	4
11	620-1753-20	ID-LOCK PLATE	1	50	716-1733-01	SCREW(M1.7x2.3)	2
12	620-1868-20	LOWER CHASSIS	1	51	716-3469-01	SCREW(1.7x4)	2
13	621-0608-21	SECOND GEAR	1	52	716-3473-01	SCREW(M2x3)	1
14	621-0609-20	BASE GEAR	1	53	716-3551-00	SCREW(M1.4x2.5)	2
15	621-0610-20	IDLE GEAR A	1	54	750-7865-20	SHIFT SPRING	1
16	621-0611-20	IDLE GEAR B	1	55	750-7866-20	RACK SPRING	1
17	621-0612-21	ROLLER GEAR A	1	56	750-7867-20	CLAMPER SPRING	1
18	621-0620-20	THREAD GEAR A	1	57	750-7868-20	ID-LOCK SPRING	1
19	621-0621-20	THREAD GEAR B	1	58	750-7869-20	SENSOR SPRING	1
20	621-0623-23	LS-HOLDER	1	59	750-7870-20	DR-SPRING F	2
21	621-0624-22	GUIDE RAIL	1	60	750-7871-20	DR-SPRING RA	1
22	621-0711-21	LOADING ROLLER	2	61	750-7872-20	DR-SPRING RB	1
23	621-0718-21	ROLLER GUIDE	1	62	750-7873-20	DR-SPRING C	1
24	621-0719-20	ROLLER GEAR B	1	63	750-6797-20	ROLLER SPRING L	1
25	621-0720-20	ROLLER GEAR C	1	64	750-6798-20	ROLLER SPRING R	1
26	621-0721-20	ROLLER GEAR D	1	65	714-2003-8B	SCREW(M2x3)	2
27	621-0728-20	STOPPER LINK	1	66	780-2025-00	SCREW(M2x2.5)	3
28	621-1719-20	IDLE CASE	1	67	781-1730-00	SCREW(M1.7x3)	1
29	621-1726-20	ROLLER SLEEVE	2	68	803-4906-60	VINYL-COAT-WIRE(ORG)	1
30	621-1729-20	SH-BASE	1	69	816-2542-01	FLAT WIRE	1
31	621-1742-20	UPPER GUIDE	1	70	816-2590-00	VINYL-COAT-WIRE(GRN)	1
32	621-1743-20	SHIFT LEVER	1	71	816-2591-00	VINYL-COAT-WIRE(YEL)	1
33	621-1744-20	RACK	1	72	816-2592-00	VINYL-COAT-WIRE(BLUE)	1
34	621-1745-20	LOCK ARM L	1	73	816-2593-00	VINYL-COAT-WIRE(PUR)	1
35	621-1746-20	LOCK ARM R	1	74	966-1722-20	SH-RACK-ASSY	1
36	621-1747-20	GEAR COVER	1	75	620-1866-20	DRIVE-PLATE	1
37	621-1748-20	POWER GEAR A	1	76	969-0071-30	PICKUP-ASSY	1
38	621-1749-20	POWER GEAR B	1	77	622-1570-21	DAMPER PIN	3
39	621-1750-20	POWER GEAR C	1				

ELECTRICAL PARTS LIST

CD PWB(BM1) section

Note) Several different parts of the same reference number are alternative parts.
One of those parts is used in the set.

REF No.	PART No.	DESCRIPTION	REF No.	PART No.	DESCRIPTION	REF No.	PART No.	DESCRIPTION
C2	178-1052-78	1uF	C68	168-1042-78	16V 0.1uF	R20	119-5121-15	1/10W 5.1k ohm
C3	042-0627-90	16V 100uF	C69	042-1710-90	6.3V 100uF	R21	119-1031-15	1/10W 10k ohm
C4	168-1042-78	16V 0.1uF	C74	042-1709-90	6.3V 47uF	R22	119-2231-15	1/10W 22k ohm
C6	178-1052-78	1uF	C75	168-1042-78	16V 0.1uF	R23	119-5121-15	1/10W 5.1k ohm
C7	042-0560-85	6.3V 100uF	C77	168-1042-78	16V 0.1uF	R24	119-1031-15	1/10W 10k ohm
C8	178-1052-78	1uF	C78	168-1022-55	1000pF K	R25	119-1041-15	1/10W 100k ohm
C9	166-4711-50	470pF CH	C79	168-1022-55	1000pF K	R26	119-0000-05	1/10W 0 ohm JW
C10	168-4732-78	0.047uF K	C80	042-0423-20	10V-10uF	R27	119-4731-15	1/10W 47k ohm
C11	166-4711-50	470pF CH	C81	168-1042-78	16V 0.1uF	R29	119-5621-15	1/10W 5.6k ohm
C12	168-4732-78	0.047uF K	D1	001-1305-90	DAN217UT106	R30	119-2231-15	1/10W 22k ohm
C14	168-1042-78	16V 0.1uF	IC1	051-6733-10	TC94A70FG-005	R31	119-4731-15	1/10W 47k ohm
C15	166-1007-50	10pF CH	IC2	051-6079-80	BA5830FM-E2	R32	119-3341-15	1/10W 330k ohm
C16	166-1007-50	10pF CH	IC3	051-3395-90	NJU7780U1-15-TES	R33	119-1041-15	1/10W 100k ohm
C17	168-1042-78	16V 0.1uF	IC4	051-3396-90	NJM2386ADL3-33-TE1	R34	119-1041-15	1/10W 100k ohm
C18	168-2222-55	2200pF K	J1	074-1138-65	SOCKET (15P)	R35	119-1041-15	1/10W 100k ohm
C19	168-1042-78	16V 0.1uF	J2	074-1138-60	SOCKET (10P)	R36	119-1011-15	1/10W 100 ohm
C20	168-1042-78	16V 0.1uF	J3	074-1205-88	SOCKET (38P)	R38	119-1041-15	1/10W 100k ohm
C22	168-6822-55	6800pF K	L1	119-0000-05	1/10 0ohm JW	R39	119-0000-05	1/10W 0 ohm JW
C24	168-3332-78	0.033uF K	L2	119-0000-05	1/10 0ohm JW	R41	119-4721-15	1/10W 4.7k ohm
C25	168-3332-78	0.033uF K	L3	119-0000-05	1/10 0ohm JW	R42	119-4721-15	1/10W 4.7k ohm
C26	168-1042-78	16V 0.1uF	L4	010-3104-50	30ohm/100MHZ	R44	119-4731-15	1/10W 47k ohm
C28	168-1042-78	16V 0.1uF	L5	010-3406-66	22uH J	R45	119-1031-15	1/10W 1k ohm
C29	168-1042-78	16V 0.1uF	Q1	131-1188-50	2SB1188 Q,R	R46	119-4731-15	1/10W 47k ohm
C30	168-1042-78	16V 0.1uF	Q1	190-2060-00	2SA2060-TE12L	R47	119-4731-15	1/10W 47k ohm
C31	168-1042-78	16V 0.1uF	Q2	198-3018-00	2SK3018	R48	119-1031-15	1/10W 10k ohm
C33	168-1042-78	16V 0.1uF	Q3	198-3018-00	2SK3018	R49	119-1031-15	1/10W 10k ohm
C34	168-1042-78	16V 0.1uF	Q4	192-4155-51	2SC4155A S,T	R50	119-2211-15	1/10W 220 ohm
C35	168-5622-55	5600pF K	Q5	198-3018-00	2SK3018	R51	119-1031-15	1/10W 10k ohm
C36	168-1042-78	16V 0.1uF	Q6	192-4155-51	2SC4155A S,T	R52	119-1031-15	1/10W 10k ohm
C37	168-5622-55	5600pF K	Q7	198-3018-00	2SK3018	R53	119-2211-15	1/10W 220 ohm
C38	166-6801-50	68pF	Q8	198-3018-00	2SK3018	R54	119-3331-15	1/10W 33k ohm
C39	168-1042-78	16V 0.1uF	R1	119-2211-15	1/10W 220 ohm	R55	119-4721-15	1/10W 4.7k ohm
C40	168-1532-55	0.015uF K	R2	117-6811-15	1/8W 680 ohm	R56	119-3331-15	1/10W 33k ohm
C41	168-1042-78	16V 0.1uF	R3	117-0000-05	1/8W 0 ohm JW	R57	119-4721-15	1/10W 4.7k ohm
C42	168-1032-55	0.01uF K	R4	119-1001-15	1/10W 10 ohm	R58	119-3331-15	1/10W 33k ohm
C43	168-1042-78	16V 0.1uF	R5	119-2731-15	1/10W 27k ohm	R59	119-4721-15	1/10W 4.7k ohm
C44	168-1042-78	16V 0.1uF	R6	119-2731-15	1/10W 27k ohm	R60	119-3331-15	1/10W 33k ohm
C46	168-1522-55	1500pF K	R7	119-2221-15	1/10W 2.2k ohm	R61	119-4721-15	1/10W 4.7k ohm
C47	168-3322-55	3300pF K	R8	119-2731-15	1/10W 27k ohm	R62	119-3331-15	1/10W 33k ohm
C48	168-1032-55	0.01uF K	R9	119-2731-15	1/10W 27k ohm	R63	119-4721-15	1/10W 4.7k ohm
C49	168-1042-78	16V 0.1uF	R10	119-1051-15	1/10W 1M ohm	R64	119-1051-15	1/10W 1M ohm
C54	168-1532-55	0.015uF K	R11	119-2211-15	1/10W 220 ohm	R65	119-4701-15	1/10W 47 ohm
C55	168-1042-78	16V 0.1uF	R13	119-8231-15	1/10W 82k ohm	R66	119-1051-15	1/10W 1M ohm
C56	168-1042-78	16V 0.1uF	R14	119-1531-15	1/10W 15k ohm	R68	119-1031-15	1/10W 10k ohm
C58	166-6097-50	6pF CH	R15	119-8231-15	1/10W 82k ohm	TM1	073-0768-90	TERMINAL
C59	166-4701-50	47pF CH	R16	119-4731-15	1/10W 47k ohm	X1	061-3534-90	16.92MHz
C60	168-1042-78	16V 0.1uF	R17	119-5121-15	1/10W 5.1k ohm	PWB	039-3205-01	PWB(WITHOUT COMPONENTS)
C63	168-1042-78	16V 0.1uF	R18	119-1031-15	1/10W 10k ohm			
C64	042-1709-90	6.3V 47uF	R19	119-0000-05	1/10W 0 ohm JW			
C66	168-1042-78	16V 0.1uF						

SENSOR PWB(BM2) section

REF No.	PART No.	DESCRIPTION	REF No.	PART No.	DESCRIPTION	REF No.	PART No.	DESCRIPTION
D1	001-7058-90	AN1105W-RR	Q1	060-4015-91	PS1192HB-32-TR	S2	013-7413-50	LIMIT
D2	001-7058-90	AN1105W-RR	Q2	060-4015-91	PS1192HB-32-TR	PWB	039-1944-21	PWB(WITHOUT COMPONENTS)
J1	074-1138-60	10P	S1	013-7414-50	CHUCKING			