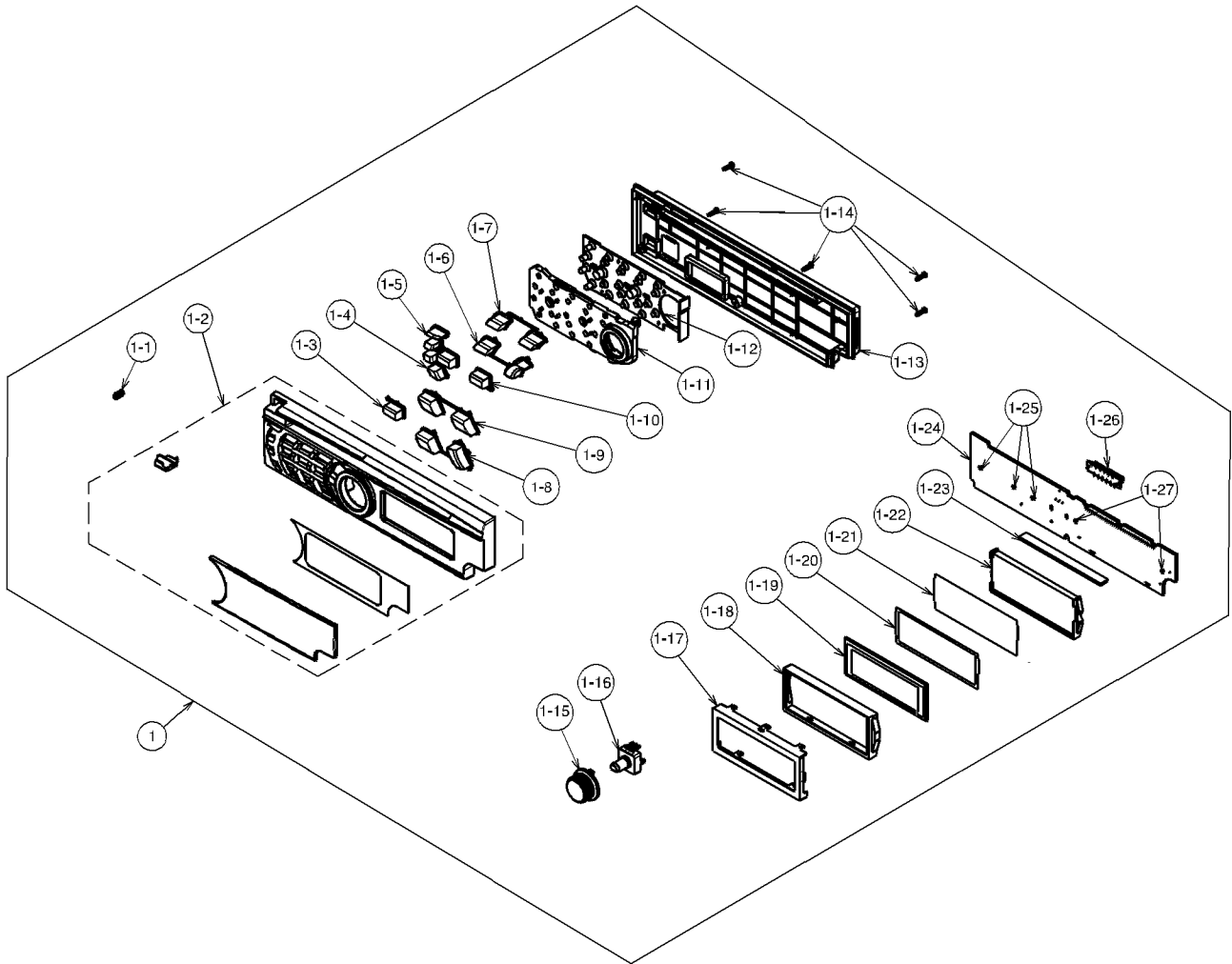


# EXPLODED VIEW • PART LIST

DCP section

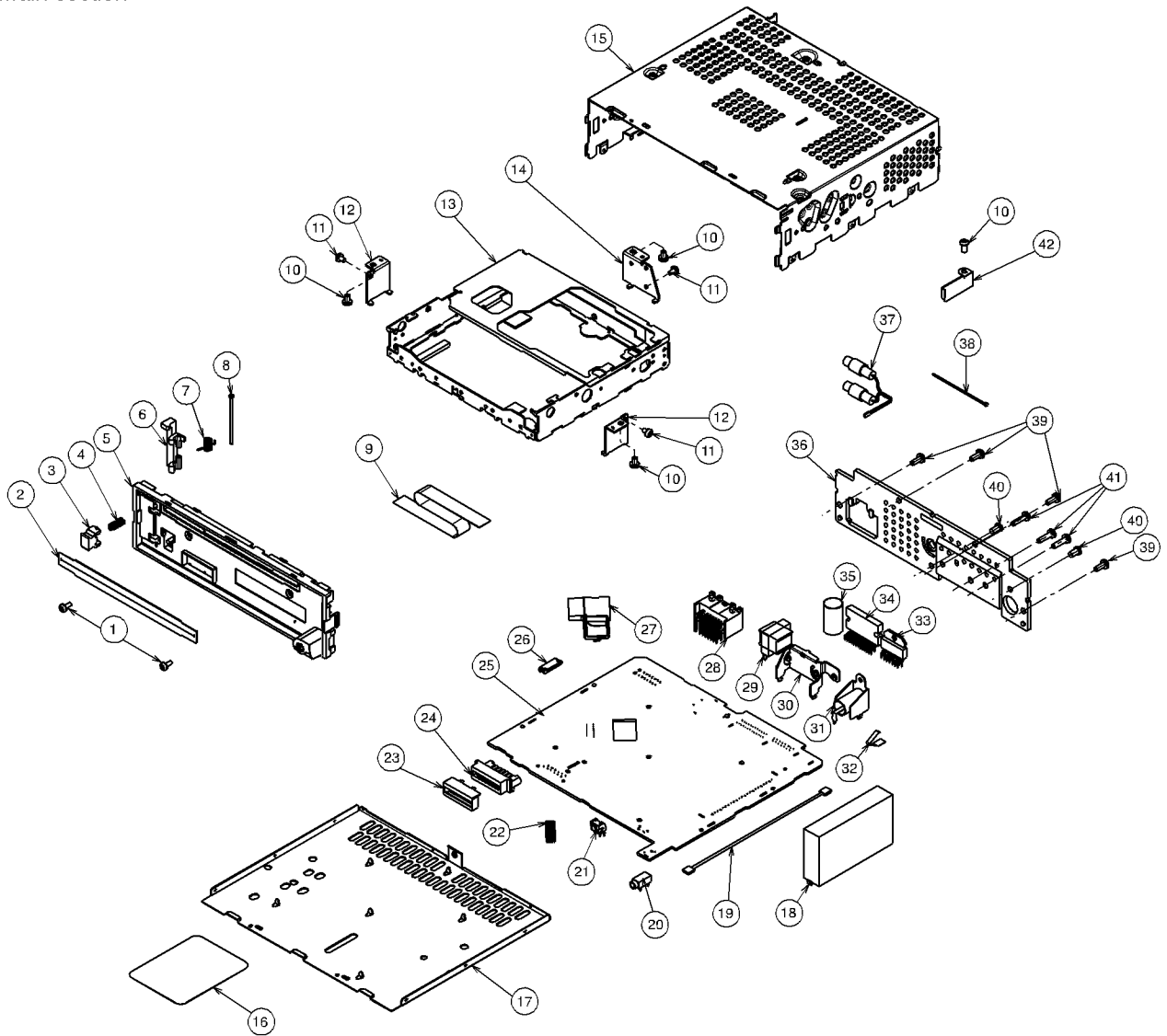


Note:- Several different parts of the same reference number are alternative parts. One of those parts is used in the set.

No.	PART No.	DESCRIPTION	Q'TY
1	DCP-599-600	DCP-ASSY (PE-2933B-A)	1
	DCP-603-800	DCP-ASSY (PE-2978K-A/B)	1
1-1	750-6849-00	SPRING	1
1-2	947-0694-01	ESC-SUB-ASSY(PE-2933B-A)	1
	947-0694-03	ESC-SUB-ASSY(PE-2978K-A/B)	1
1-3	382-8334-00	BUTTON PLAY	1
1-4	382-8336-01	BUTTON S/ISR/RE	1
1-5	382-8337-00	BUTTON EJECT/D	1
1-6	382-8340-00	BUTTON 2/SRC	1
1-7	382-8339-00	BUTTON 1/3	1
1-8	382-8342-00	BUTTON 5/BND	1
1-9	382-8341-00	BUTTON 4/6	1
1-10	382-8335-00	BUTTON FOR	1
1-11	335-8087-00	ILLUMI PLATE	1
1-12	345-6034-00	RUBBER KEYPAD	1
1-13	335-8086-00	REAR COVER	1

No.	PART No.	DESCRIPTION	Q'TY
1-14	716-0872-61	SP SCREW (M1.7x6)	5
1-15	380-5702-00	KNOB	1
1-16	016-9901-02	VR SWITCH	1
1-17	331-4409-00	LCD COVER	1
1-18	335-8109-00	LCD HOLDER	1
1-19	379-5019-00	LCD	1
1-20	347-8200-00	FILM	1
1-21	347-8199-00	SHADE	1
1-22	335-8088-00	LCD ILLUMI	1
1-23	345-6035-00	ZEBRA CONNECTOR	1
1-24	-----	SWITCH PWB	1
1-25	001-7820-91	DIODE	3
1-26	076-0703-62	PLUG	1
1-27	001-7820-90	DIODE	2

Main section

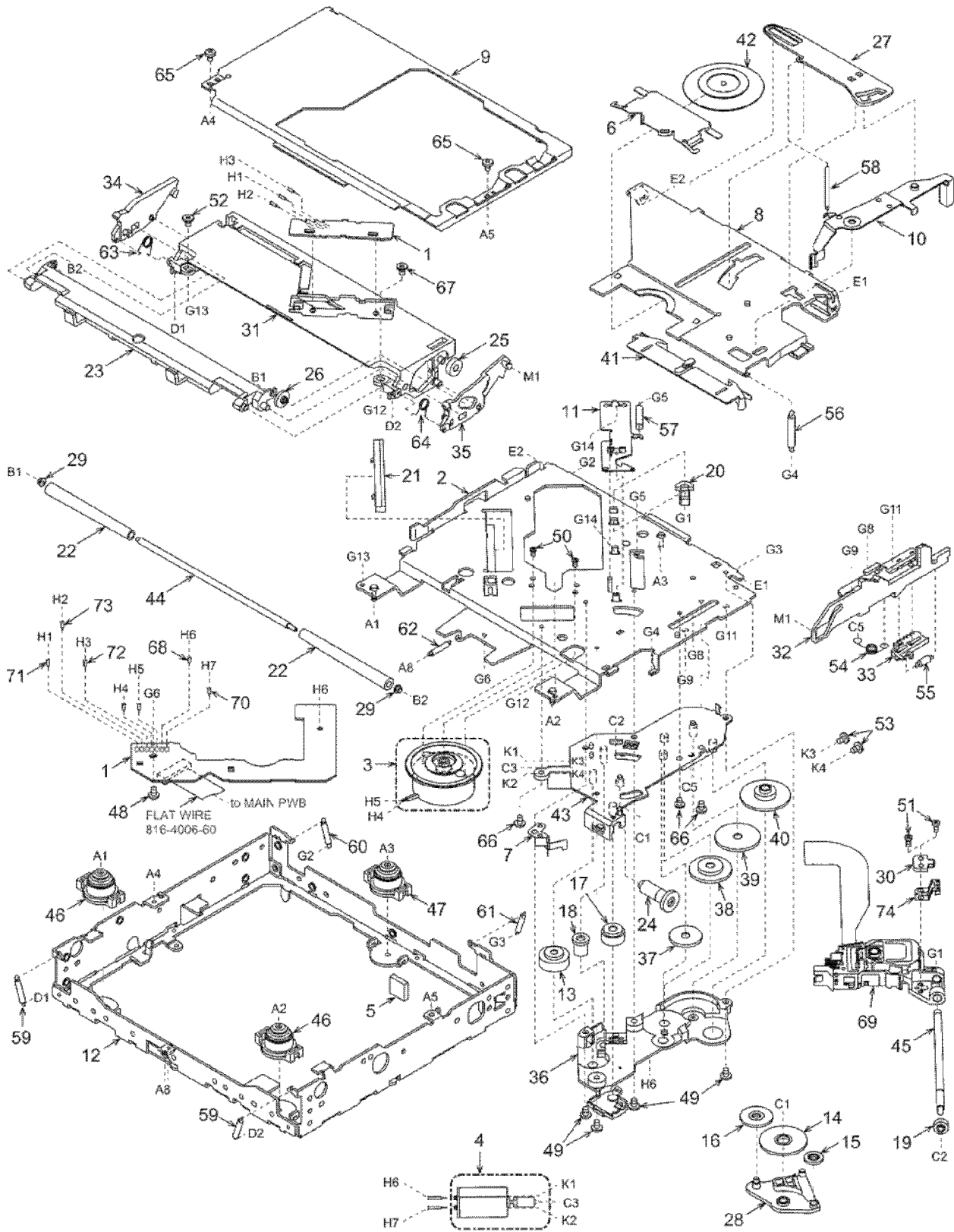


No.	PART No.	DESCRIPTION	Q'TY
1	714-2606-8H	MC SCREW (M2.6x6)	2
2	346-0097-00	LEATHER SHEET	1
3	382-8120-00	BUTTON PICK-UP	1
4	750-6823-01	BTN P-UP SPRING	1
5	370-6288-00	INNER ESCUTCHEON	1
6	335-5915-20	HOOK	1
7	750-6824-00	HOOK SPRING	1
8	341-1627-20	SHAFT	1
9	816-4006-60	FLAT WIRE	1
10	731-3005-8B	TAP TIGHT (M3x5)	4
11	714-2604-8B	MC SCREW (M2.6x4)	3
12	331-3607-02	MECH BRKT	2
13	929-5003-80	CD MECHA MODULE	1
14	331-3366-02	MECH BRKT	1
15	310-1775-13	UPPER CASE	1
16	276-0169-00	SETPLATE (PE-2933B-A)	1
	276-0229-00	SETPLATE (PE-2978K-A/B)	1
17	311-1848-03	LOWER CASE	1
18	880-2093R	TUNER	1
19	854-4611-60	EXTENSION LEAD	1
20	075-9015-00	JACK	1
21	013-3932-01	TACT SWITCH	1

No.	PART No.	DESCRIPTION	Q'TY
22	074-1143-15	FPC CONNECTOR	1
23	331-3630-00	CONNECTOR COVER	1
24	074-1316-12	OUTLET SOCKET	1
25	-----	MAIN PWB	1
26	074-1138-60	FPC-CONNECTOR	1
27	335-7501-01	FPC PROTECTOR	1
28	074-1214-50	OUTLET SOCKET	1
29	009-9006-60	CHOKE	1
30	331-3996-00	IC-HOLDER	1
31	092-4000-51	ANT RECEPT	1
32	331-1861-21	EARTH PLATE	1
33	051-3349-00	IC	1
34	051-2060-00	IC	1
35	042-1545-00	E-CAP	1
36	313-1934-00	HEATSINK	1
37	855-5536-60	RCA PIN CORD	1
38	335-0833-01	LEAD HOLDER	1
39	731-3008-8B	TAP TIGHT (M3x8)	4
40	714-3006-8B	MC SCREW (M3x6)	2
41	731-3012-8B	TAP TIGHT (M3x12)	3
42	331-2744-00	STOPPER	1

# EXPLODED VIEW • PARTS LIST

CD mechanism section 929-5003-80



No.	PART No.	DESCRIPTION	Q'TY
1	-----	SENSOR PWB	1
2	966-1743-21	DRIVE-PLT-ASSY	1
3	SMA-182-100	SPINDLE MOTOR-ASSY	1
4	SMA-183-100	SLED MOTOR-ASSY	1
5	345-5476-20	CUSHION RUBBER	1
6	620-1023-23	CLAMPER PLATE	1
7	620-1026-21	SPRING PLATE	1
8	620-1596-23	CLAMPER LINK	1
9	620-1598-22	UPPER CHASSIS	1
10	620-1752-20	SENSOR ARM	1
11	620-1753-20	ID-LOCK PLATE	1
12	620-1748-21	LOWER CHASSIS	1
13	621-0608-21	SECOND GEAR	1
14	621-0609-20	BASE GEAR	1
15	621-0610-20	IDLE GEAR A	1
16	621-0611-20	IDLE GEAR B	1
17	621-0612-21	ROLLER GEAR A	1
18	621-0620-20	THREAD GEAR A	1
19	621-0621-20	THREAD GEAR B	1
20	621-0623-23	LS-HOLDER	1
21	621-0624-22	GUIDE RAIL	1
22	621-0711-20	LOADING ROLLER	2
23	621-0718-21	ROLLER GUIDE	1
24	621-0719-20	ROLLER GEAR	1
25	621-0720-20	ROLLER GEAR C	1
26	621-0721-20	ROLLER GEAR D	1
27	621-0728-20	STOPPER LINK	1
28	621-1719-20	IDLE CASE	1
29	621-1726-20	ROLLER SLEEVE	2
30	621-1729-20	SH-BASE	1
31	621-1742-20	UPPER GUIDE	1
32	621-1743-20	SHIFT LEVER	1
33	621-1744-20	RACK	1
34	621-1745-20	LOCK ARM L	1
35	621-1746-20	LOCK ARM R	1
36	621-1747-20	GEAR COVER	1
37	621-1748-20	POWER GEAR A	1

No.	PART No.	DESCRIPTION	Q'TY
38	621-1749-20	POWER GEAR B	1
39	621-1750-20	POWER GEAR C	1
40	621-1751-20	POWER GEAR D	1
41	621-1752-20	DISC STOPPER	1
42	621-1753-20	CLAMPER RING	1
43	621-1754-20	GEAR BASE	1
44	622-1571-21	ROLLER SHAFT	1
45	624-0020-00	LEAD SCREW	1
46	629-0086-20	DAMPER F	2
47	629-0087-20	DAMPER R	1
48	716-1507-01	SCREW (M2x3)	1
49	716-1670-01	SCREW (M2x4)	4
50	716-1733-01	SCREW (M1.7x2.3)	2
51	716-3469-01	SCREW (1.7x4)	2
52	716-3473-01	SCREW (M2X3)	1
53	716-3551-00	SCREW (M1.4X2.5)	2
54	750-3467-21	SHIFT SPRING	1
55	750-3468-20	RACK SPRING	1
56	750-3469-20	CLAMPER SPRING	1
57	750-3470-20	ID-LOCK SPRING	1
58	750-3471-20	SENSOR SPRING	1
59	750-3472-21	DR-SPRING F	2
60	750-3473-20	DR-SPRING RA	1
61	750-3474-20	DR-SPRING RB	1
62	750-3475-21	DR-SPRING C	1
63	750-6797-20	ROLLER SPRING L	1
64	750-6798-20	ROLLER SPRING R	1
65	780-2003-01	SCREW (M2x3)	2
66	780-2025-00	SCREW (M2x2.5)	3
67	781-1730-00	SCREW (M1.7x3)	1
68	803-4906-60	VINYL-COAT-WIRE (ORG)	1
69	969-0071-32	PICKUP-ASSY	1
70	816-2590-00	SPECIAL LEAD (GRN)	1
71	816-2591-00	SPECIAL LEAD (YEL)	1
72	816-2592-00	SPECIAL LEAD (BLUE)	1
73	816-2593-00	SPECIAL LEAD (PUR)	1
74	966-1722-20	SH-RACK-ASSY	1

# ELECTRICAL PARTS LIST

Main PWB (B1) section

Note:- Several different parts of the same reference number are alternative parts.  
One of those parts is used in the set.

Remarks:- #: For PE-2933B-Aonly @: For PE-2978K-A/Bonly

REF No.	PART No.	DESCRIPTION	REF No.	PART No.	DESCRIPTION	REF No.	PART No.	DESCRIPTION
ANT101	092-4000-51	ANT-RECEPT	C504	168-4732-78	50V 0.047uF	C740	168-1042-78	50V 0.1uF
BL101	880-2093R	TUNER	C505	178-2242-78	50V 0.22uF	C741	168-1042-78	50V 0.1uF
C101	166-2201-50	50V 22pF	C506	178-2242-78	50V 0.22uF	C742	168-1042-78	50V 0.1uF
C102	166-2201-50	50V 22pF	C507	168-1042-78	50V 0.1uF	C743	168-1042-78	50V 0.1uF
C103	168-1032-55	50V 0.01uF	C508	187-1053-65	50V 1uF	C744	168-5622-55	50V 5600pF
C104	168-1032-55	50V 0.01uF	C509	166-1011-50	50V 100pF	C745	168-1042-78	50V 0.1uF
C105	168-1032-55	50V 0.01uF	C510	166-1011-50	50V 100pF	C746	178-1052-78	16V 1uF
C106	187-1073-25	10V 100uF	C516	187-1073-25	10V 100uF	C751	168-1022-55	50V 1000pF
C107	168-1042-78	50V 0.1uF	C601	178-4742-78	25V 0.47uF	C752	168-1022-55	50V 1000pF
C109	187-4763-35	16V 47uF	C602	178-4742-78	25V 0.47uF	C753	168-1022-55	50V 1000pF
C110	187-1073-25	10V 100uF	C603	178-4742-78	25V 0.47uF	C761	168-1042-78	50V 0.1uF
C111	168-1032-55	50V 0.01uF	C604	178-4742-78	25V 0.47uF	C762	168-2222-55	50V 2200pF
C112	168-6822-55	50V 6800pF	C605	166-1011-50	50V 100pF	C763	168-1042-78	16V 0.1uF
C113	168-1532-55	50V 0.015uF	C606	166-1011-50	50V 100pF	C765	168-2222-55	50V 2200pF
C114	168-1532-55	50V 0.015uF	C607	166-1011-50	50V 100pF	C766	168-1042-78	50V 0.1uF
C116	168-4732-78	50V 0.047uF	C608	166-1011-50	50V 100pF	C767	168-1042-78	50V 0.1uF
C117	187-1053-65	50V 1uF	C609	187-1063-35	16V 10uF	C768	168-1042-78	50V 0.1uF
C118	168-1232-55	50V 0.012uF	C610	187-1063-35	16V 10uF	C769	168-1042-78	50V 0.1uF
C123	168-1022-55	50V 1000pF	C613	168-4722-55	50V 4700pF	C770	168-1042-78	50V 0.1uF
C126	166-1011-50	50V 100pF	C614	187-1063-35	16V 10uF	C771	168-1042-78	50V 0.1uF
C127	187-4763-35	16V 47uF	C615	178-4742-78	25V 0.47uF	C774	178-1052-78	16V 1uF
C128	168-1042-78	50V 0.1uF	C616	187-1053-65	50V 1uF	C775	187-2273-15	6.3V 220uF
C132	168-2232-55	50V 0.022uF	C617	172-1041-15	50V 0.1uF	C777	187-2273-15	6.3V 220uF
C150	178-1052-78	16V 1uF	C635	178-1052-78	16V 1uF	C780	178-1052-78	16V 1uF
C202	168-1042-78	50V 0.1uF	C701	168-1042-78	50V 0.1uF	C801	166-1011-50	50V 100pF
C203	168-1042-78	50V 0.1uF	C702	168-1042-78	50V 0.1uF	C803	166-1011-50	50V 100pF
C204	168-1042-78	50V 0.1uF	C703	166-4701-50	50V 47pF	C805	166-1011-50	50V 100pF
C205	042-1598-90	10V 470uF	C704	168-1042-78	50V 0.1uF	C806	187-4763-15	6.3V 47uF
C208	178-4742-78	25V 0.47uF	C705	168-1532-55	50V 0.015uF	C807	168-1032-55	50V 0.01uF
C209	168-2232-55	50V 0.022uF	C706	168-1032-55	50V 0.01uF	C808	168-1022-55	50V 1000pF
C315	168-1042-78	50V 0.1uF	C707	168-4722-55	50V 4700pF	C809	187-1053-65	50V 1uF
C401	168-3322-55	50V 3300pF	C708	168-1522-55	50V 1500pF	C810	168-1032-55	50V 0.01uF
C402	166-1511-50	50V 150pF	C709	168-1042-78	50V 0.1uF	C811	166-1501-50	50V 15pF
C403	187-1063-35	16V 10uF	C710	168-1042-78	50V 0.1uF	C812	166-1801-50	50V 18pF
C404	187-1053-65	50V 1uF	C711	168-1532-55	50V 0.015uF	C901	168-1042-78	50V 0.1uF
C405	168-1042-78	50V 0.1uF	C712	168-1042-78	50V 0.1uF	C902	187-1073-25	10V 100uF
C406	187-1063-35	16V 10uF	C713	168-1042-78	50V 0.1uF	C903	187-1073-25	10V 100uF
C408	168-4722-55	50V 4700pF	C714	166-6811-50	50V 680pF	C904	168-1042-78	50V 0.1uF
C409	168-1042-78	50V 0.1uF	C715	166-6801-50	50V 68pF	C905	168-1042-78	50V 0.1uF
C410	178-4742-78	25V 0.47uF	C716	168-1042-78	16V 0.1uF	C906	168-1042-78	50V 0.1uF
C411	187-1053-65	50V 1uF	C717	178-1052-78	16V 1uF	C907	168-1042-78	50V 0.1uF
C414	168-1042-78	50V 0.1uF	C720	178-1052-78	16V 1uF	C908	168-1042-78	50V 0.1uF
C415	168-1042-78	50V 0.1uF	C721	187-1073-15	100-6.3V	C909	168-1042-78	50V 0.1uF
C416	166-1511-50	50V 150pF	C722	178-1052-78	16V 1uF	C910	168-1042-78	50V 0.1uF
C417	168-3322-55	50V 3300pF	C724	187-1073-15	100-6.3V	C911	187-1063-35	16V 10uF
C418	187-1053-65	50V 1uF	C725	187-2273-15	220-6.3V	C913	042-1545-00	16V 2200pF
C419	168-1042-78	50V 0.1uF	C728	168-3332-78	50V 0.033uF	C914	168-1022-55	50V 1000pF
C420	187-1063-35	16V 10uF	C729	168-6822-55	50V 6800pF	C915	168-1022-55	50V 1000pF
C422	168-4722-55	50V 4700pF	C730	168-1042-78	50V 0.1uF	C916	168-1022-55	50V 1000pF
C423	168-1042-78	50V 0.1uF	C731	168-1042-78	50V 0.1uF	C917	168-1022-55	50V 1000pF
C424	178-4742-78	25V 0.47uF	C732	168-4732-78	50V 0.047uF	C918	168-1022-55	50V 1000pF
C425	187-1053-65	50V 1uF	C733	168-4732-78	50V 0.047uF	C919	168-1022-55	50V 1000pF
C428	168-1042-78	50V 0.1uF	C734	168-4712-55	50V 470pF	C920	168-1022-55	50V 1000pF
C501	187-1053-65	50V 1uF	C735	168-4712-55	50V 470pF	C921	168-1022-55	50V 1000pF
C502	178-2242-78	50V 0.22uF	C738	168-1042-78	50V 0.1uF	C922	187-1053-65	50V 1uF
C503	178-2242-78	50V 0.22uF	C739	187-1073-25	10V 100uF	CCT701	050-0148-51	CCT 47K

REF No.	PART No.	DESCRIPTION	REF No.	PART No.	DESCRIPTION	REF No.	PART No.	DESCRIPTION
D201	001-4312-35	02DZ6.2Y	Q701	125-3011-90	KTA1663	R264	119-1021-15	1/16W 1K ohm
D202	001-4312-35	02DZ6.2Y	Q703	125-8014-90	KTK5134S	R265	119-1021-15	1/16W 1K ohm
D203	001-4312-35	02DZ6.2Y	Q704	125-2199-93	KRC103S	R266	119-1021-15	1/16W 1K ohm
D505	001-4312-23	02DZ4.3Y	Q705	125-8014-90	KTK5134S	R267	119-1021-15	1/16W 1K ohm
D509	001-0529-43	MA8082TX	Q707	125-8014-90	KTK5134S	R268	119-0000-05	1/16W 0 ohm
D601	117-0000-05	1/8W 0 ohm	Q708	125-9022-92	RN4982	R402	119-8221-15	1/16W 8.2K ohm
D701	001-1313-00	KDS226	Q901	125-3007-90	KTA1298	R403	119-1531-15	1/16W 15K ohm
D710	001-1310-00	KDS160	Q902	125-2199-92	KRC102S	R404	119-0000-05	1/16W 0 ohm
D901	001-1310-00	KDS160	Q903	125-3011-90	KTA1663	R406	119-4721-15	1/16W 4.7K ohm
D902	001-1310-00	KDS160	Q904	125-2199-92	KRC102S	R407	119-2221-15	1/16W 2.2K ohm
D903	001-2003-91	1A4-J	Q905	125-4010-90	KTC3875GR	R409	119-8221-15	1/16W 8.2K ohm
D904	001-4312-32	02DZ5.6Y	Q906	125-2199-92	KRC102S	R410	119-1531-15	1/16W 15K ohm
D905	001-4312-44	02DZ8.2Y	Q907	125-4010-90	KTC3875GR	R411	119-0000-05	1/16W 0 ohm
D906	001-2003-91	1A4-J	Q908	125-0199-93	KRA103S	R413	119-4721-15	1/16W 4.7K ohm
D907	001-1310-00	KDS160	Q909	125-4010-90	KTC3875GR	R414	119-2221-15	1/16W 2.2K ohm
D909	001-2003-91	1A4-J	Q910	125-0013-97	RN2427	R501	032-0140-99	1/16W 39K(F) ohm
D910	001-2003-91	1A4-J	Q911	125-2199-92	KRC102S	R502	032-0140-00	1/16W 56K(F) ohm
D911	001-0592-61	1N5404	Q913	125-9022-92	RN4982	R503	032-0140-00	1/16W 56K(F) ohm
D912	001-4312-32	02DZ5.6Y	R101	119-2221-15	1/16W 2.2K ohm	R504	119-1041-15	1/16W 100K ohm
D913	001-4312-14	02DZ3.0Y	R102	119-3311-15	1/16W 330 ohm	R505	119-1041-15	1/16W 100K ohm
H-WIRE	800-0710-50	VINYL-COAT WIRE	R103	119-2221-15	1/16W 2.2K ohm	R506	032-0140-00	1/16W 56K(F) ohm
IC200	052-3971-20	uPD78F0547GK	R104	119-4741-15	1/16W 470K ohm	R507	032-0140-00	1/16W 56K(F) ohm
IC401	051-5045-90	NJW1192	R105	119-1021-15	1/16W 1K ohm	R508	032-0140-99	1/16W 39K(F) ohm
IC501	051-3061-90	NJM14558M	R106	119-1831-15	1/16W 18K ohm	R509	032-0140-99	1/16W 39K(F) ohm
IC601	051-2060-00	LA47201	R110	119-0000-05	1/16W 0 ohm	R510	119-1021-15	1/16W 1K ohm
IC701	051-6399-00	TC94A15FG	R115	119-0000-05	1/16W 0 ohm	R511	032-0140-99	1/16W 39K(F) ohm
IC702	051-6090-90	LA6245P	R117	119-4721-15	1/16W 4.7K ohm	R518	119-3311-15	1/16W 330 ohm
IC703	051-6711-10	TA94A34FG	R121	119-3311-15	1/16W 330 ohm	R601	119-1021-15	1/16W 1K ohm
IC704	051-3394-90	NJM2865F3-15	R201	119-1021-15	1/16W 1K ohm	R602	119-1021-15	1/16W 1K ohm
IC801	051-6201-90	LC72146M	R202	119-1021-15	1/16W 1K ohm	R603	119-1021-15	1/16W 1K ohm
IC901	051-3349-00	HA13166	R224	119-0000-05	1/16W 0 ohm#	R604	119-1021-15	1/16W 1K ohm
J201	074-1316-12	DCP-12P	R225	119-0000-05	1/16W 0 ohm@	R606	119-0000-05	1/16W 0 ohm
J601	854-4611-60	EX-LEAD	R226	119-0000-05	1/16W 0 ohm@	R607	119-0000-05	1/16W 0 ohm
J602	854-4611-60	EX-LEAD	R227	119-0000-05	1/16W 0 ohm#	R609	119-1031-15	1/16W 10K ohm
J701	074-1143-15	15P	R229	119-3321-15	1/16W 3.3K ohm	R610	119-3311-15	1/16W 330 ohm
J702	074-1138-60	10P	R230	119-1041-15	1/16W 100K ohm	R611	119-1031-15	1/16W 10K ohm
J901	074-1214-00	16P	R231	119-3321-15	1/16W 3.3K ohm	R612	119-3311-15	1/16W 330 ohm
JACK601	075-9015-00	JACK2	R233	119-4731-15	1/16W 47K ohm	R613	119-5621-15	1/16W 5.6K ohm
JW1	060-0108-90	1/4W 0 ohm	R234	119-4731-15	1/16W 47K ohm	R614	119-5621-15	1/16W 5.6K ohm
JW2	060-0108-90	1/4W 0 ohm	R235	119-8231-15	1/16W 82K ohm	R615	119-0000-05	1/16W 0 ohm
L101	010-2003-04	30uH	R237	119-4731-15	1/16W 47K ohm	R616	119-4721-15	1/16W 4.7K ohm
L102	119-1011-15	1/16W 100 ohm	R238	119-4731-15	1/16W 47K ohm	R617	119-1031-15	1/16W 10K ohm
L103	010-3001-63	5.6uH	R239	119-1031-15	1/16W 10K ohm	R618	119-4721-15	1/16W 4.7K ohm
L200	010-2285-57	1K ohm/100MHz	R240	119-1031-15	1/16W 10K ohm	R619	119-0000-05	1/16W 0 ohm
L201	117-0000-05	1/8W 0 ohm	R241	119-1031-15	1/16W 10K ohm	R622	119-0000-05	1/16W 0 ohm
L501	117-0000-05	1/8W 0 ohm	R243	119-1041-15	1/16W 100K ohm	R631	119-1011-15	1/16W 100 ohm
L502	117-0000-05	1/8W 0 ohm	R244	119-4731-15	1/16W 47K ohm	R632	119-1011-15	1/16W 100 ohm
L605	010-3109-68	300ohm/100MHz	R245	119-4731-15	1/16W 47K ohm	R633	119-1011-15	1/16W 100 ohm
L606	010-3109-68	300ohm/100MHz	R247	119-2231-15	1/16W 22K ohm	R634	119-1011-15	1/16W 100 ohm
L607	010-3109-65	2Kohm/100MHz	R248	119-1031-15	1/16W 10K ohm	R635	116-0000-05	1/4W 0 ohm
L801	010-2330-86	220uH	R249	119-1031-15	1/16W 10K ohm	R701	119-5621-15	1/16W 5.6K ohm
Q101	125-2199-93	KRC103S	R250	119-1031-15	1/16W 10K ohm	R702	119-4731-15	1/16W 47K ohm
Q102	125-0199-98	KRA118S	R251	119-1031-15	1/16W 10K ohm	R703	119-3341-15	1/16W 330K ohm
Q103	125-0199-93	KRA103S	R254	119-1031-15	1/16W 10K ohm	R704	119-2231-15	1/16W 22K ohm
Q106	125-4017-90	KTC4378	R255	119-1031-15	1/16W 10K ohm	R705	119-2231-15	1/16W 22K ohm
Q601	125-4010-90	KTC3875GR	R256	119-1231-15	1/16W 12K ohm	R706	119-2211-15	1/16W 220 ohm
Q602	125-4010-90	KTC3875GR	R258	119-1031-15	1/16W 10K ohm	R707	119-1001-15	1/16W 10 ohm
Q603	125-0199-92	KRA102S	R260	119-1021-15	1/16W 1K ohm	R708	119-6811-15	1/16W 680 ohm

REF No.	PART No.	DESCRIPTION	REF No.	PART No.	DESCRIPTION	REF No.	PART No.	DESCRIPTION
R710	119-1231-15	1/16W 12K ohm	R748	119-2221-15	1/16W 2.2K ohm	R910	119-4731-15	1/16W 47K ohm
R712	119-1531-15	1/16W 15K ohm	R749	119-4721-15	1/16W 4.7K ohm	R911	119-1021-15	1/16W 1K ohm
R713	119-4731-15	1/16W 47K ohm	R750	119-2221-15	1/16W 2.2K ohm	R912	119-2231-15	1/16W 22K ohm
R714	119-4731-15	1/16W 47K ohm	R751	119-1031-15	1/16W 10K ohm	R913	119-1031-15	1/16W 10K ohm
R715	119-4731-15	1/16W 47K ohm	R752	119-4731-15	1/16W 47K ohm	R914	116-2231-15	1/4W 22K ohm
R716	119-4731-15	1/16W 47K ohm	R753	119-2251-15	1/16W 2.2M ohm	R915	116-1521-15	1/4W 1.5K ohm
R717	119-8231-15	1/16W 82K ohm	R754	119-8211-15	1/16W 820 ohm	R916	119-1231-15	1/16W 12K ohm
R718	119-8231-15	1/16W 82K ohm	R757	119-3321-15	1/16W 3.3K ohm	R917	119-0000-05	1/16W 0 ohm
R719	119-4731-15	1/16W 47K ohm	R758	119-3321-15	1/16W 3.3K ohm	R919	119-5631-15	1/16W 56K ohm
R721	119-1051-15	1/16W 1M ohm	R760	117-0000-05	1/8W 0 ohm	R920	119-6831-15	1/16W 68K ohm
R722	119-8211-15	1/16W 820 ohm	R761	117-0000-05	1/8W 0 ohm	R922	119-0000-05	1/16W 0 ohm
R723	119-2211-15	1/16W 220 ohm	R762	119-2221-15	1/16W 2.2K ohm	R923	119-0000-05	1/16W 0 ohm
R724	119-2211-15	1/16W 220 ohm	R801	119-1021-15	1/16W 1K ohm	RCA601	855-5516-60	RCA JACK
R725	119-1041-15	1/16W 100K ohm	R802	119-5631-15	1/16W 56K ohm	S200	013-3932-01	RST SW
R727	119-1031-15	1/16W 10K ohm	R803	119-2221-15	1/16W 2.2K ohm	SUP101	060-0122-20	DSP-141N-S00B
R728	119-0000-05	1/16W 0 ohm	R804	119-1021-15	1/16W 1K ohm	T901	009-9006-60	CHOKE
R731	119-0000-05	1/16W 0 ohm	R807	119-6811-15	1/16W 680 ohm	X200	060-1540-90	12MHz
R741	119-2211-15	1/16W 220 ohm	R901	119-2741-15	1/16W 270K ohm	X701	060-1909-90	16.934MHz
R743	119-4731-15	1/16W 47K ohm	R902	119-1031-15	1/16W 10K ohm	X702	060-1909-90	16.934MHz
R744	119-2231-15	1/16W 22K ohm	R904	119-2221-15	1/16W 2.2K ohm	X801	061-1066-00	7.2MHz
R745	119-4721-15	1/16W 4.7K ohm	R905	116-1221-15	1/4W 1.2K ohm	PWB	039-2997-01	PWB (WITHOUT COMPONENT)
R746	119-2221-15	1/16W 2.2K ohm	R906	119-1031-15	1/16W 10K ohm			
R747	119-4721-15	1/16W 4.7K ohm	R909	119-4721-15	1/16W 4.7K ohm			

Switch PWB (B2) section

REF No.	PART No.	DESCRIPTION	REF No.	PART No.	DESCRIPTION	REF No.	PART No.	DESCRIPTION
C1	168-1022-55	50V 1000pF	J1	076-0703-62	PLUG	R18	116-3311-15	1/4W 330 ohm
C4	178-1052-78	16V 1uF	LCD1	379-5019-00	LCD	R19	119-0000-05	1/16W 0 ohm
D1	001-4312-29	02DZ5.1Y	Q1	125-0013-97	RN2427	R2	119-1241-15	1/16W 120K ohm
D2	001-4312-35	02DZ6.2Y	Q2	125-2199-92	KRC 102S	R21	119-0000-05	1/16W 0 ohm
D3	001-7820-90	LED	Q3	125-3007-90	KTA1298	R22	119-0000-05	1/16W 0 ohm
D4	001-4312-35	02DZ6.2Y	Q4	125-2199-92	KRC 102S	R23	119-0000-05	1/16W 0 ohm
D5	001-7820-90	LED	Q5	125-2199-92	KRC 102S	R3	119-3921-15	1/16W 3.9K ohm
D6	001-4312-14	02DZ3.0X	R1	119-4731-15	1/16W 47K ohm	R4	119-4711-15	1/16W 470 ohm
D7	001-4312-35	02DZ6.2Y	R10	119-3311-15	1/16W 330 ohm	R5	119-1021-15	1/16W 1K ohm
D8	001-4312-35	02DZ6.2Y	R11	119-3311-15	1/16W 330 ohm	R7	119-0000-05	1/16W 0 ohm
D9	001-7820-91	LED	R12	119-1221-15	1/16W 1.2K ohm	R8	116-8201-15	1/4W 82 ohm
D10	001-7820-91	LED	R13	119-1211-15	1/16W 120 ohm	R9	116-8201-15	1/4W 82 ohm
D12	001-4312-29	02DZ6.2Y	R14	119-1211-15	1/16W 120 ohm	VR1	016-9901-02	VR ROTARY
D14	001-7820-91	LED	R15	116-3311-15	1/4W 330 ohm	PWB	039-2994-00	PWB (WITHOUT COMPONENT)
D15	001-4902-91	HZM6.8MFA	R16	116-3311-15	1/4W 330 ohm			
IC1	051-6013-50	PT6554LQ	R17	116-3311-15	1/4W 330 ohm			

Sensor PWB (B3) section

REF No.	PART No.	DESCRIPTION	REF No.	PART No.	DESCRIPTION	REF No.	PART No.	DESCRIPTION
D1	001-7058-90	AN1105W-RR	Q1	060-4015-91	PS1192HB	S2	013-7413-50	LIMIT
D2	001-7058-90	AN1105W-RR	Q2	060-4015-91	PS1192HB	PWB	039-2675-20	PWB (WITHOUT COMPONENT)
J1	074-1138-60	10P	S1	013-7414-50	CHUCKING			

# REMOVING MAIN PWB FOR REPAIR

No.	PART No.	PART NAME	Q'TY
A	311-1848-03	LOWER CASE	1
B	039-2997-01	MAIN PWB	1
C	816-4006-60	FLAT WIRE	1
D	731-3005-8B	TAPTIGHT	3
E	929-5003-80	MECHANISM	1
F	313-1934-00	HEAT SINK	1
G	731-3012-8B	TAPTIGHT	3
H	714-3006-8B	MACHINE SCREW	2
I	731-3008-8B	TAPTIGHT	4
J	714-2606-8H	MACHINE SCREW	2
K	370-6288-00	INNER ESCUTCHEON	1
L	-	PICK-UP HEAD CABLE	1
M	714-2604-8B	MC SCREW	3
N	335-0833-01	CABLE TIE	1
P	335-7501-01	FPC PROTECTOR	1
Q	074-1143-15	FPC CONNECTOR	1

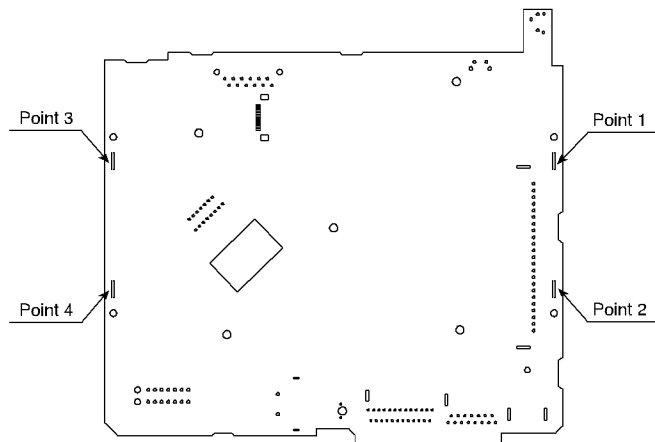
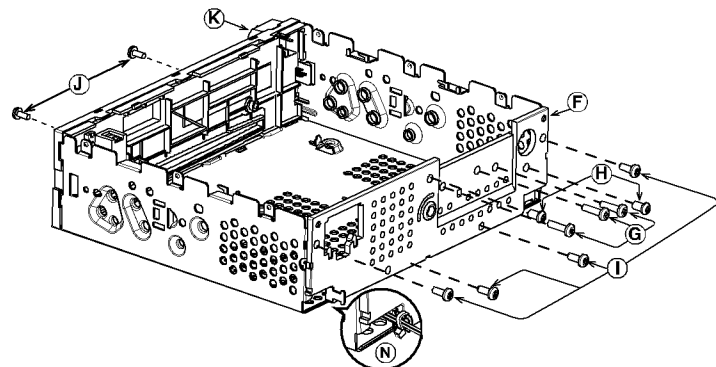
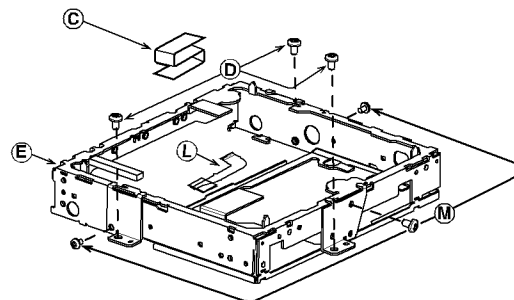
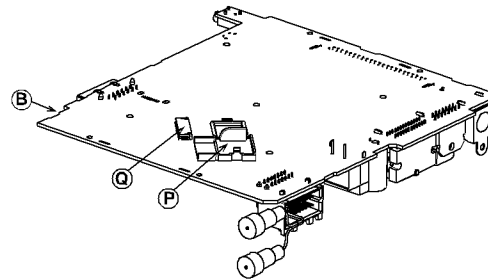
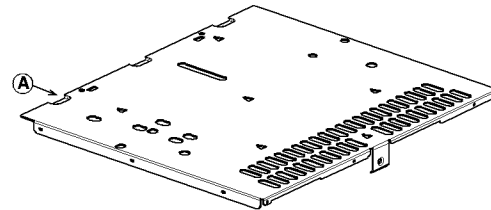


Figure 1

View from bottom side



**Step 1**

Remove all screw (G), (H), (I), from heat sink (F)  
cut off the cable tie (N).

**Step 2**

Remove heat sink (F).

**Step 3**

Remove lower case (A).

**Step 4**

Remove all screw (J), from inner escutcheon (K).

**Step 5**

Remove inner escutcheon (K).

**Step 6**

Unsolder 4 points on the main PWB (B), (Figure 1).

**Step 7**

Open FPC protector (P) unplug the pick-up head cable (L) from the FPC connector (Q).

**Step 8**

Remove flat wire (C) between main PWB (B), and mechanism (E).

**Step 9**

Remove main PWB (B) for repairing.

**Step 10**

Unscrew (D) and (M) from the mech brkt, if the mechanism (E) needs replacement.