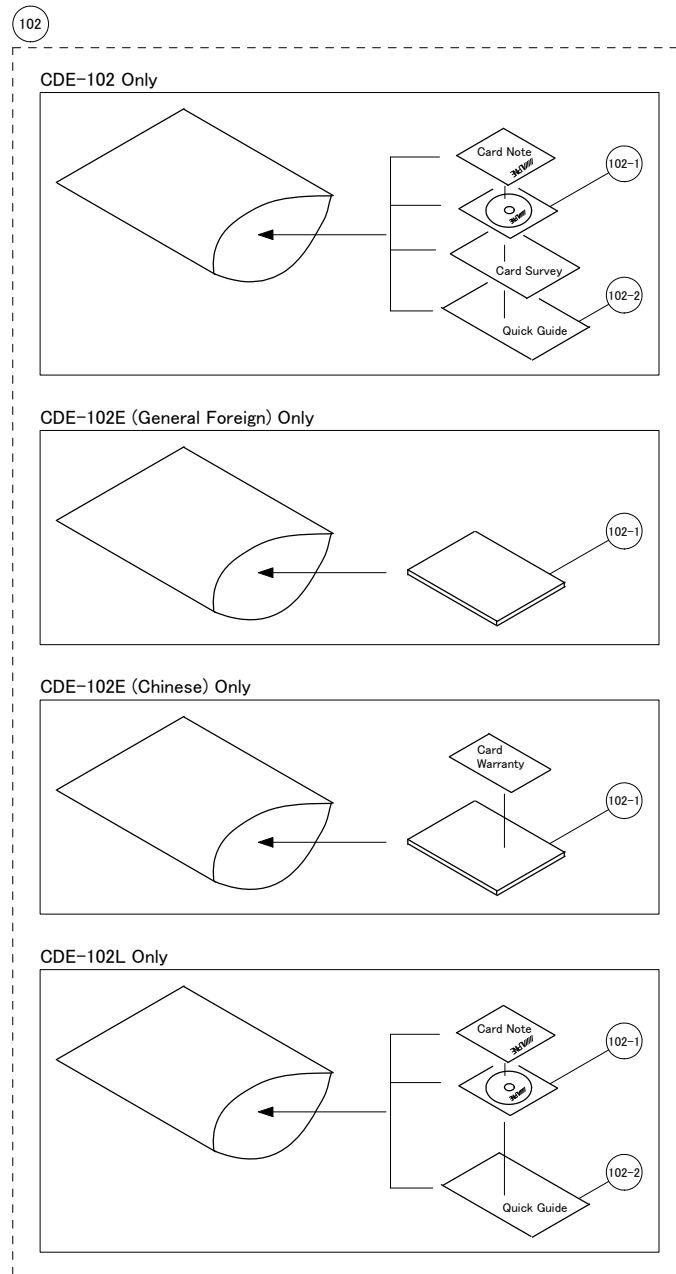
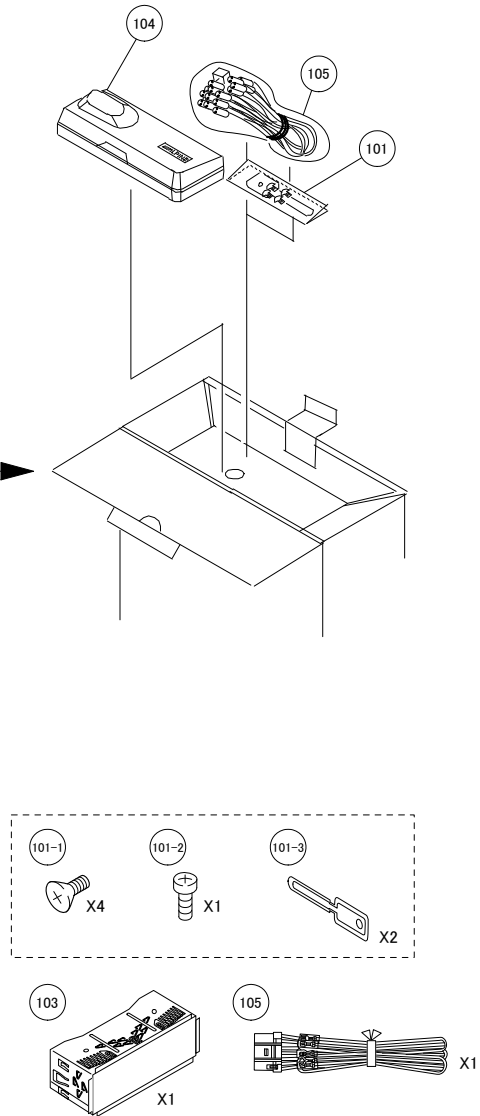
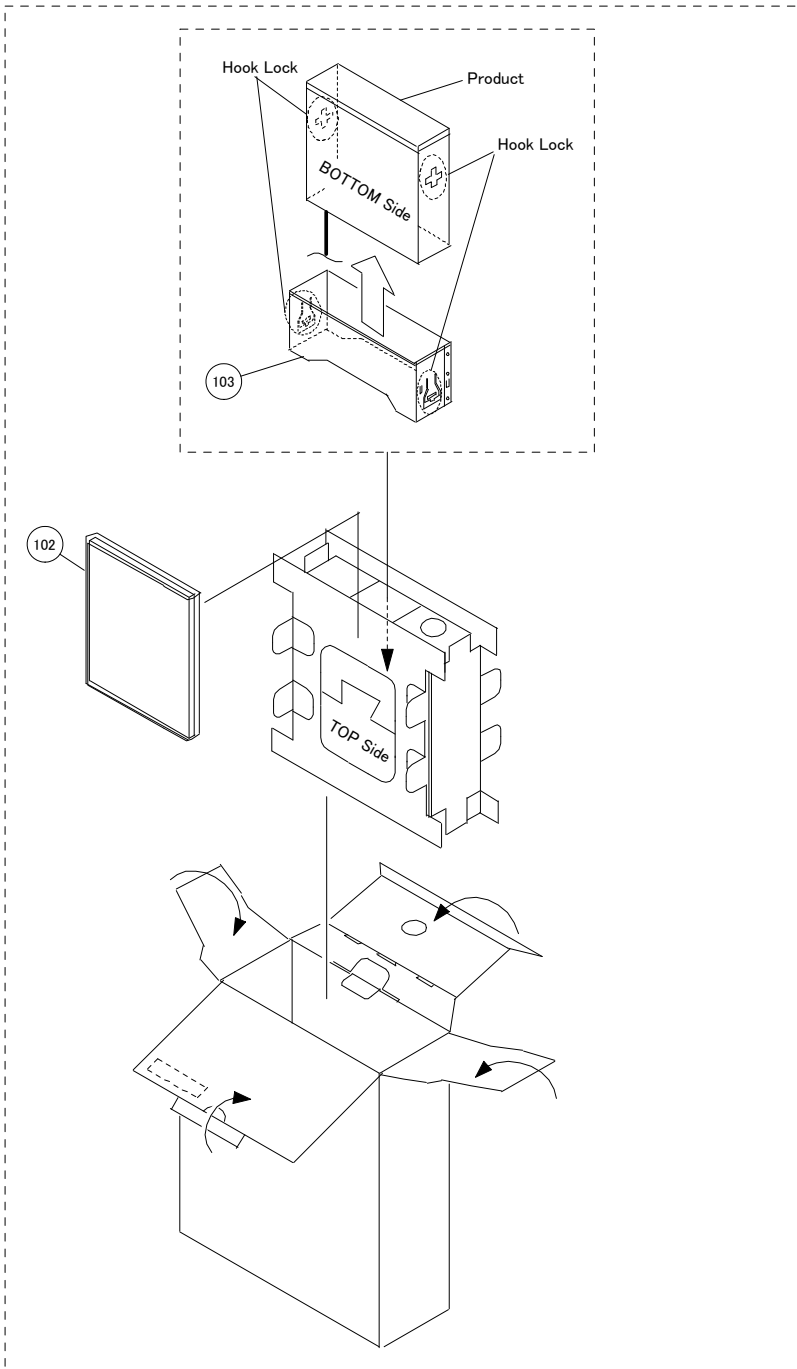


Packing Method View



MODEL	Symbol No.	Parts No.	Description
	101-1	03S60820Y16	SCR,MCH 5X8 ZN A
	101-2	03S60824Y01	SCR,WEV 1.7X4 ZN A
	101-3	07-01964Z01	BKT,RELEASE
#1	102-1	68-10334Z13	O/M-CDROM BASIC
\$1	102-1	68-09359Z76	O/M AAO AODN
%1	102-1	68-09359Z77	O/M AOCH AODN
&1	102-1	68-10334Z13	O/M-CDROM BASIC
#1	102-2	68-09359Z88	C/N-QRG AOAM DDA
&1	102-2	68-09359Z96	C/N-QRG AOL DDA
	103	15-01970Z01	CASE,INNER
	104	15D01798K04	CARRYING,CASE
	105	09-02256Z04	ASSY,ANIC-0008-04B

Mark Model Code

#1 CDE-102 Only,

\$1 CDE-102E (General Foreign) Only,

%1 CDE-102E (Chinese) Only,

&1 CDE-102L Only,

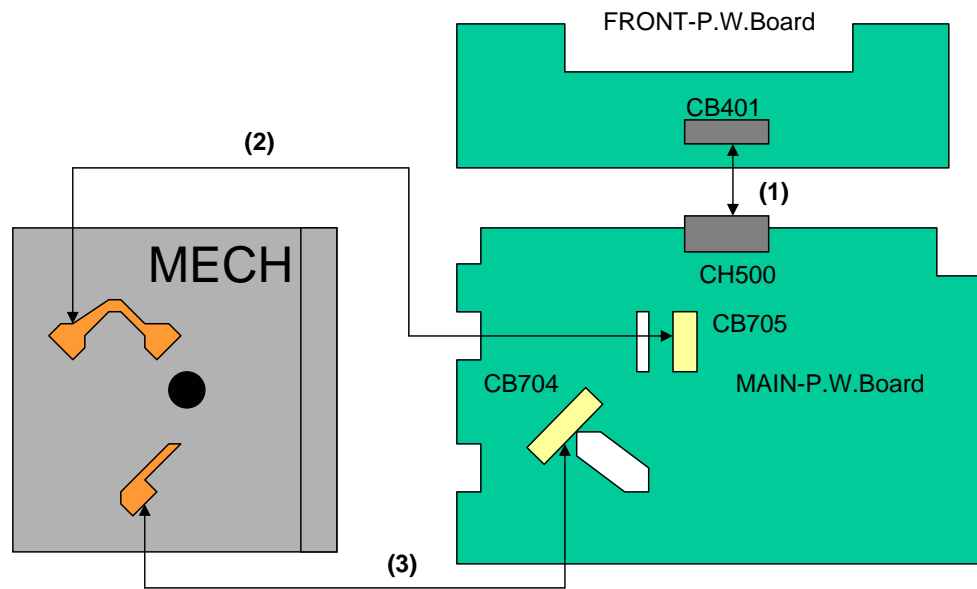
Others:Common.

NOTE:The part that has not PART NUMBER will not be supplied.


Extension Cable

*Always connect the Extension Cable when making checks of voltage and repair.

- (1) 01V40948S01
- (2) No Extension
- (3) No Extension



P.W.Board	MIS	MODEL	Ref.	Parts No.	Parts Name
-----------	-----	-------	------	-----------	------------

MAIN-P.W.Board			ANT001	09-06103Z04	ASSY,ANID-0035-04A
MAIN-P.W.Board			C001	08S45676W80	CAP,CER 223K-B1E -CP
MAIN-P.W.Board			C013	08S82122F27	CAP,CER.39RJ-CH1H-CP
MAIN-P.W.Board			C014	08S82122F19	CAP,CER.18RJ-CH1H-CP
MAIN-P.W.Board			C016	08S82122F32	CAP,CER.62RJ-CH1H-CP
MAIN-P.W.Board			C017	08S45677W60	CAP,CER 102J-CH1H-CP
MAIN-P.W.Board			C200	08S60102F40	CAP,CER 224K-B1E -CP
MAIN-P.W.Board			C201	08S45676W70	CAP,CER 562K-B1H -CP
MAIN-P.W.Board			C202	08S45676W65	CAP,CER.222K-B1H -CP
MAIN-P.W.Board			C203	08S45676W65	CAP,CER.222K-B1H -CP
MAIN-P.W.Board			C205	08S65676Y03	CAP,CER 225KX7R1C-CP
MAIN-P.W.Board			C206	08S45676W65	CAP,CER.222K-B1H -CP
MAIN-P.W.Board			C207	08S45676W65	CAP,CER.222K-B1H -CP
MAIN-P.W.Board			C208	08S45676W65	CAP,CER.222K-B1H -CP
MAIN-P.W.Board			C209	08S45676W65	CAP,CER.222K-B1H -CP
MAIN-P.W.Board			C210	08S45676W80	CAP,CER 223K-B1E -CP
MAIN-P.W.Board			C211	08S45676W85	CAP,CER 104K-B1C -CP
MAIN-P.W.Board			C212	08S45676W70	CAP,CER 562K-B1H -CP
MAIN-P.W.Board			C213	08S45676W85	CAP,CER 104K-B1C -CP
MAIN-P.W.Board			C214	08S45676W85	CAP,CER 104K-B1C -CP
MAIN-P.W.Board			C217	08S60102F40	CAP,CER 224K-B1E -CP
MAIN-P.W.Board			C297	08S65676Y05	CAP,CER 105KX7R1E-CP
MAIN-P.W.Board			C298	08S65676Y05	CAP,CER 105KX7R1E-CP
MAIN-P.W.Board			C303	08S45676W83	CAP,CER 473K-B1C -CP
MAIN-P.W.Board			C500	08S45676W93	CAP,CER 224K-B1A -CP
MAIN-P.W.Board			C502	08S45676W80	CAP,CER 223K-B1E -CP
MAIN-P.W.Board			C503	08S45676W73	CAP,CER.103K-B1H -CP
MAIN-P.W.Board			C505	08S45676W85	CAP,CER 104K-B1C -CP
MAIN-P.W.Board			C507	08S45676W85	CAP,CER 104K-B1C -CP
MAIN-P.W.Board			C509	08S35350Y04	CAP,CER 105K-B1C -CP
MAIN-P.W.Board			C510	08S45676W85	CAP,CER 104K-B1C -CP
MAIN-P.W.Board			C511	08S45677W20	CAP,CER.22RJ-CH1H-CP
MAIN-P.W.Board			C512	08S45677W20	CAP,CER.22RJ-CH1H-CP
MAIN-P.W.Board			C513	08S45677W20	CAP,CER.22RJ-CH1H-CP
MAIN-P.W.Board		#1	C514	08S45677W22	CAP,CER.27RJ-CH1H-CP
MAIN-P.W.Board		\$1	C514	08S45677W20	CAP,CER.22RJ-CH1H-CP
MAIN-P.W.Board		%1	C514	08S45677W20	CAP,CER.22RJ-CH1H-CP
MAIN-P.W.Board		&1	C514	08S45677W20	CAP,CER.22RJ-CH1H-CP
MAIN-P.W.Board			C515	08S45676W73	CAP,CER.103K-B1H -CP
MAIN-P.W.Board			C516	08S45676W85	CAP,CER 104K-B1C -CP
MAIN-P.W.Board			C517	08S45676W89	CAP,CER 473K-B1E -CP
MAIN-P.W.Board			C518	08S45676W80	CAP,CER 223K-B1E -CP
MAIN-P.W.Board			C519	08S45676W80	CAP,CER 223K-B1E -CP
MAIN-P.W.Board			C525	08S45676W85	CAP,CER 104K-B1C -CP

Mark Model Code

#1 CDE-102 Only,

\$1 CDE-102E (General Foreign) Only,

%1 CDE-102E (Chinese) Only,

&1 CDE-102L Only,

Others:Common.

NOTE:The part that has not PART NUMBER will not be supplied.

P.W.Board	MIS	MODEL	Ref.	Parts No.	Parts Name
-----------	-----	-------	------	-----------	------------

MAIN-P.W.Board			C526	08S45677W10	CAP,CER 8R0D-CH1H-CP
MAIN-P.W.Board			C527	08S45677W09	CAP,CER 7R0D-CH1H-CP
MAIN-P.W.Board			C700	08S65670Y01	CAP,CER 106KX5R1C-CP
MAIN-P.W.Board			C7000	08S65676Y05	CAP,CER 105KX7R1E-CP
MAIN-P.W.Board			C7001	08S45676W85	CAP,CER 104K-B1C -CP
MAIN-P.W.Board			C7002	08S45676W85	CAP,CER 104K-B1C -CP
MAIN-P.W.Board			C7003	08S45676W85	CAP,CER 104K-B1C -CP
MAIN-P.W.Board			C7004	08S45676W85	CAP,CER 104K-B1C -CP
MAIN-P.W.Board			C7005	08S45676W85	CAP,CER 104K-B1C -CP
MAIN-P.W.Board			C7006	08S45676W85	CAP,CER 104K-B1C -CP
MAIN-P.W.Board			C7007	08S45676W85	CAP,CER 104K-B1C -CP
MAIN-P.W.Board			C7008	08S45676W85	CAP,CER 104K-B1C -CP
MAIN-P.W.Board			C7009	08S45676W85	CAP,CER 104K-B1C -CP
MAIN-P.W.Board			C701	08S45232Y17	CAP,CER 104K-B0J -CP
MAIN-P.W.Board			C7010	08S45677W16	CAP,CER.15RJ-CH1H-CP
MAIN-P.W.Board			C7011	08S45677W16	CAP,CER.15RJ-CH1H-CP
MAIN-P.W.Board			C7012	08S65668Y05	CAP,CER 224KX5R1A-CP
MAIN-P.W.Board			C7013	08S45676W85	CAP,CER 104K-B1C -CP
MAIN-P.W.Board			C7015	08S45676W80	CAP,CER 223K-B1E -CP
MAIN-P.W.Board			C7017	08S45676W93	CAP,CER 224K-B1A -CP
MAIN-P.W.Board			C703	08S65670Y01	CAP,CER 106KX5R1C-CP
MAIN-P.W.Board			C704	08S45232Y17	CAP,CER 104K-B0J -CP
MAIN-P.W.Board			C705	08S45232Y17	CAP,CER 104K-B0J -CP
MAIN-P.W.Board			C706	08S35374W11	CAP,CER 475K-B0J -CP
MAIN-P.W.Board			C709	08S45232Y05	CAP,CER 102K-B1H -CP
MAIN-P.W.Board			C710	08S45232Y07	CAP,CER 222K-B1H -CP
MAIN-P.W.Board			C711	08S45232Y07	CAP,CER 222K-B1H -CP
MAIN-P.W.Board			C712	08S45232Y07	CAP,CER 222K-B1H -CP
MAIN-P.W.Board			C715	08S65670Y01	CAP,CER 106KX5R1C-CP
MAIN-P.W.Board			C716	08S45232Y17	CAP,CER 104K-B0J -CP
MAIN-P.W.Board			C717	08S45232Y17	CAP,CER 104K-B0J -CP
MAIN-P.W.Board			C718	08S45232Y17	CAP,CER 104K-B0J -CP
MAIN-P.W.Board			C719	08S45676W91	CAP,CER 154K-B1A -CP
MAIN-P.W.Board			C720	08S45232Y13	CAP,CER 223K-B1C -CP
MAIN-P.W.Board			C721	08S45232Y08	CAP,CER 332K-B1H -CP
MAIN-P.W.Board			C722	08S35374W07	CAP,CER 334K-B1C -CP
MAIN-P.W.Board			C723	08S45232Y17	CAP,CER 104K-B0J -CP
MAIN-P.W.Board			C724	08S45232Y04	CAP,CER 681K-B1H -CP
MAIN-P.W.Board			C725	08S45232Y12	CAP,CER 153K-B1C -CP
MAIN-P.W.Board			C726	08S45232Y17	CAP,CER 104K-B0J -CP
MAIN-P.W.Board			C727	08S45232Y05	CAP,CER 102K-B1H -CP
MAIN-P.W.Board			C728	08S65668Y03	CAP,CER 823KX5R1A-CP
MAIN-P.W.Board			C729	08S35374W07	CAP,CER 334K-B1C -CP
MAIN-P.W.Board			C730	08S45232Y05	CAP,CER 102K-B1H -CP

Mark Model Code

#1 CDE-102 Only,

\$1 CDE-102E (General Foreign) Only,

%1 CDE-102E (Chinese) Only,

&1 CDE-102L Only,

Others:Common.

NOTE:The part that has not PART NUMBER will not be supplied.

P.W.Board	MIS	MODEL	Ref.	Parts No.	Parts Name
-----------	-----	-------	------	-----------	------------

MAIN-P.W.Board			C731	08S65668Y04	CAP,CER 104KX5R1A-CP
MAIN-P.W.Board			C732	08S45232Y17	CAP,CER 104K-B0J -CP
MAIN-P.W.Board			C733	08S35349Y09	CAP,CER 122K-B1H -CP
MAIN-P.W.Board			C734	08S35349Y09	CAP,CER 122K-B1H -CP
MAIN-P.W.Board			C735	08S45231Y16	CAP,CER 18RJ-CH1H-CP
MAIN-P.W.Board			C736	08S45231Y16	CAP,CER 18RJ-CH1H-CP
MAIN-P.W.Board			C739	08S45676W80	CAP,CER 223K-B1E -CP
MAIN-P.W.Board			C741	08S45676W85	CAP,CER 104K-B1C -CP
MAIN-P.W.Board			C742	08S65670Y01	CAP,CER 106KX5R1C-CP
MAIN-P.W.Board			C746	08S45676W73	CAP,CER.103K-B1H -CP
MAIN-P.W.Board			C748	08S45232Y17	CAP,CER 104K-B0J -CP
MAIN-P.W.Board			C749	08S45232Y17	CAP,CER 104K-B0J -CP
MAIN-P.W.Board			C751	08S45232Y17	CAP,CER 104K-B0J -CP
MAIN-P.W.Board			C752	08S45676W68	CAP,CER.392K-B1H -CP
MAIN-P.W.Board			C753	08S45232Y09	CAP,CER 472K-B1E -CP
MAIN-P.W.Board			C754	08S45676W72	CAP,CER 822K-B1H -CP
MAIN-P.W.Board			C755	08S45676W85	CAP,CER 104K-B1C -CP
MAIN-P.W.Board			C756	08S45232Y17	CAP,CER 104K-B0J -CP
MAIN-P.W.Board			C757	08S45232Y17	CAP,CER 104K-B0J -CP
MAIN-P.W.Board			C765	08S45676W73	CAP,CER.103K-B1H -CP
MAIN-P.W.Board			C766	08S45676W73	CAP,CER.103K-B1H -CP
MAIN-P.W.Board			C767	08S45676W73	CAP,CER.103K-B1H -CP
MAIN-P.W.Board			C801	08S45676W85	CAP,CER 104K-B1C -CP
MAIN-P.W.Board			C803	08S45676W73	CAP,CER.103K-B1H -CP
MAIN-P.W.Board			C804	08S45676W85	CAP,CER 104K-B1C -CP
MAIN-P.W.Board			C806	08S45676W80	CAP,CER 223K-B1E -CP
MAIN-P.W.Board			C809	08S65128F88	CAP,CER 104K-B1H -CP
MAIN-P.W.Board			C811	08S45676W80	CAP,CER 223K-B1E -CP
MAIN-P.W.Board			C812	08S45676W80	CAP,CER 223K-B1E -CP
MAIN-P.W.Board			C813	08S45676W85	CAP,CER 104K-B1C -CP
MAIN-P.W.Board			C814	08S65128F88	CAP,CER 104K-B1H -CP
MAIN-P.W.Board			C817	08S45676W85	CAP,CER 104K-B1C -CP
MAIN-P.W.Board			C818	08S35349Y11	CAP,CER 223K-B1H -CP
MAIN-P.W.Board			C820	08S65128F78	CAP,CER.223K-B1H -CP
MAIN-P.W.Board			C823	08S45539Y04	CAP,CER 103KX7R2J-CP
MAIN-P.W.Board			C825	08S45676W73	CAP,CER.103K-B1H -CP
MAIN-P.W.Board			C826	08S45676W80	CAP,CER 223K-B1E -CP
MAIN-P.W.Board			C827	08S45539Y04	CAP,CER 103KX7R2J-CP
MAIN-P.W.Board			C829	08S65128F88	CAP,CER 104K-B1H -CP
MAIN-P.W.Board			C831	08S65667Y01	CAP,CER 224KX5R1C-CP
MAIN-P.W.Board			C833	08S45676W67	CAP,CER.332K-B1H -CP
MAIN-P.W.Board			C834	08S45676W67	CAP,CER.332K-B1H -CP
MAIN-P.W.Board			C835	08S65667Y01	CAP,CER 224KX5R1C-CP
MAIN-P.W.Board			C836	08S35350Y04	CAP,CER 105K-B1C -CP

Mark Model Code

#1 CDE-102 Only,

\$1 CDE-102E (General Foreign) Only,

%1 CDE-102E (Chinese) Only,

&1 CDE-102L Only,

Others:Common.

NOTE:The part that has not PART NUMBER will not be supplied.

P.W.Board	MIS	MODEL	Ref.	Parts No.	Parts Name
-----------	-----	-------	------	-----------	------------

MAIN-P.W.Board			C838	08S45676W85	CAP,CER 104K-B1C -CP
MAIN-P.W.Board			C840	08S45676W85	CAP,CER 104K-B1C -CP
MAIN-P.W.Board			C841	08S45676W85	CAP,CER 104K-B1C -CP
MAIN-P.W.Board			C842	08S65128F88	CAP,CER 104K-B1H -CP
MAIN-P.W.Board			CB200	09T25738Y11	WTB,53254-1170 -DB
MAIN-P.W.Board			CB704	09-09312Z02	FFC,IMSA9663S-15Y-EQ
MAIN-P.W.Board			CB705	09T55174Y11	FFC,IMSA9616S-11Y-ED
MAIN-P.W.Board			CB803	24-02502Z02	ASSY,W277A001 -DB
MAIN-P.W.Board			CH500	09-14071Z01	BTB,144201120K4 -DB
MAIN-P.W.Board			D001	48T85357W01	DIO,1PS226 -CP
MAIN-P.W.Board			D202	48T85357W01	DIO,1PS226 -CP
MAIN-P.W.Board			D302	48-07015Z01	DIO,KDS160-RTK -CP
MAIN-P.W.Board			D500	48T85357W01	DIO,1PS226 -CP
MAIN-P.W.Board			D7000	48-07015Z01	DIO,KDS160-RTK -CP
MAIN-P.W.Board			D7003	48-07015Z01	DIO,KDS160-RTK -CP
MAIN-P.W.Board			D800	48-07015Z01	DIO,KDS160-RTK -CP
MAIN-P.W.Board			D802	48T75527Y01	DIO,1SR154-400 -E1
MAIN-P.W.Board			D803	48T75527Y01	DIO,1SR154-400 -E1
MAIN-P.W.Board			D804	48T75527Y01	DIO,1SR154-400 -E1
MAIN-P.W.Board			E001	23S65134W23	CAP,ELY 101-1A(6)-E6
MAIN-P.W.Board			E002	23S65134W31	CAP,ELY 10R-1C(4)-E2
MAIN-P.W.Board			E003	23S65134W53	CAP,ELY 4R7-1V(4)-E2
MAIN-P.W.Board			E201	23S65134W23	CAP,ELY 101-1A(6)-E6
MAIN-P.W.Board			E202	23S65134W41	CAP,ELY 4R7-1E(3)-E2
MAIN-P.W.Board			E203	23S65134W51	CAP,ELY 2R2-1V(3)-E2
MAIN-P.W.Board			E204	23S65134W51	CAP,ELY 2R2-1V(3)-E2
MAIN-P.W.Board			E205	23S65134W51	CAP,ELY 2R2-1V(3)-E2
MAIN-P.W.Board			E206	23S65134W51	CAP,ELY 2R2-1V(3)-E2
MAIN-P.W.Board			E209	23S65134W41	CAP,ELY 4R7-1E(3)-E2
MAIN-P.W.Board			E210	23S65134W41	CAP,ELY 4R7-1E(3)-E2
MAIN-P.W.Board			E211	23S65134W41	CAP,ELY 4R7-1E(3)-E2
MAIN-P.W.Board			E212	23S65134W41	CAP,ELY 4R7-1E(3)-E2
MAIN-P.W.Board			E213	23S65134W41	CAP,ELY 4R7-1E(3)-E2
MAIN-P.W.Board			E214	23S65134W41	CAP,ELY 4R7-1E(3)-E2
MAIN-P.W.Board			E215	23S65134W41	CAP,ELY 4R7-1E(3)-E2
MAIN-P.W.Board			E216	23S65134W41	CAP,ELY 4R7-1E(3)-E2
MAIN-P.W.Board			E300	23S65134W32	CAP,ELY 22R-1C(5)-E3
MAIN-P.W.Board			E301	23S65134W44	CAP,ELY 22R-1E(6)-E6
MAIN-P.W.Board			E302	23S65134W34	CAP,ELY 47R-1C(6)-E6
MAIN-P.W.Board			E303	23S65134W65	CAP,ELY 1R0-1H(3)-E2
MAIN-P.W.Board			E304	23S65134W64	CAP,ELY R47-1H(3)-E2
MAIN-P.W.Board			E305	23S65134W32	CAP,ELY 22R-1C(5)-E3
MAIN-P.W.Board			E306	23S65134W64	CAP,ELY R47-1H(3)-E2
MAIN-P.W.Board			E307	23S65134W64	CAP,ELY R47-1H(3)-E2

Mark Model Code

#1 CDE-102 Only,

\$1 CDE-102E (General Foreign) Only,

%1 CDE-102E (Chinese) Only,

&1 CDE-102L Only,

Others:Common.

NOTE:The part that has not PART NUMBER will not be supplied.

P.W.Board	MIS	MODEL	Ref.	Parts No.	Parts Name
-----------	-----	-------	------	-----------	------------

MAIN-P.W.Board			E308	23S65134W64	CAP,ELY R47-1H(3)-E2
MAIN-P.W.Board			E309	23S65134W64	CAP,ELY R47-1H(3)-E2
MAIN-P.W.Board			E4	23S65134W31	CAP,ELY 10R-1C(4)-E2
MAIN-P.W.Board			E6	23S65134W12	CAP,ELY 47R-0J(5)-E3
MAIN-P.W.Board			E7000	23S65134W23	CAP,ELY 101-1A(6)-E6
MAIN-P.W.Board			E7001	23S65134W24	CAP,ELY 221-1A(8)-E6
MAIN-P.W.Board			E7002	23S65134W31	CAP,ELY 10R-1C(4)-E2
MAIN-P.W.Board			E7003	23S65134W23	CAP,ELY 101-1A(6)-E6
MAIN-P.W.Board			E702	23T65679Y11	CAP,CD 47R-0J -E2
MAIN-P.W.Board			E703	23S65134W34	CAP,ELY 47R-1C(6)-E6
MAIN-P.W.Board			E704	23S65134W23	CAP,ELY 101-1A(6)-E6
MAIN-P.W.Board			E706	23S65134W12	CAP,ELY 47R-0J(5)-E3
MAIN-P.W.Board			E708	23S65134W32	CAP,ELY 22R-1C(5)-E3
MAIN-P.W.Board			E709	23S65134W23	CAP,ELY 101-1A(6)-E6
MAIN-P.W.Board			E710	23S65134W12	CAP,ELY 47R-0J(5)-E3
MAIN-P.W.Board			E711	23S65134W32	CAP,ELY 22R-1C(5)-E3
MAIN-P.W.Board			E713	23S65134W34	CAP,ELY 47R-1C(6)-E6
MAIN-P.W.Board			E801	23S65134W32	CAP,ELY 22R-1C(5)-E3
MAIN-P.W.Board			E802	23S65134W32	CAP,ELY 22R-1C(5)-E3
MAIN-P.W.Board			E803	23S65134W23	CAP,ELY 101-1A(6)-E6
MAIN-P.W.Board			E808	23T65114Y15	CAP,FK 681-1A-F -EA
MAIN-P.W.Board			E809	23T65114Y21	CAP,FK 221-1C-D8-E6
MAIN-P.W.Board			E811	23T55378W03	CAP,KMG 471-1A -R2
MAIN-P.W.Board			E812	23S65134W31	CAP,ELY 10R-1C(4)-E2
MAIN-P.W.Board			E813	23S65134W31	CAP,ELY 10R-1C(4)-E2
MAIN-P.W.Board			E815	23S65134W32	CAP,ELY 22R-1C(5)-E3
MAIN-P.W.Board			E816	23T75325Y01	CAP,VB 332-1C +
MAIN-P.W.Board			E817	23S65134W31	CAP,ELY 10R-1C(4)-E2
MAIN-P.W.Board			E818	23S65134W23	CAP,ELY 101-1A(6)-E6
MAIN-P.W.Board			E819	23T65114Y21	CAP,FK 221-1C-D8-E6
MAIN-P.W.Board			E820	23T65114Y07	CAP,FK 331-0J-D8-E6
MAIN-P.W.Board			E821	23T65114Y06	CAP,FK 221-0J-D -E6
MAIN-P.W.Board			E822	23S65134W54	CAP,ELY 10R-1V(5)-E3
MAIN-P.W.Board			E823	23S65134W54	CAP,ELY 10R-1V(5)-E3
MAIN-P.W.Board			IC200	51T15192Y01	TC74VHC14FT-EL -SE5
MAIN-P.W.Board			IC201	51-13600Z01	TDA7717 -QT
MAIN-P.W.Board			IC301	51-14188Z01	LV47006P-E -ZS
MAIN-P.W.Board			IC501	51-14912Z01	IC,MN101E16YBEUB -QT
MAIN-P.W.Board			IC502	51-09817Z03	341S2307 -LE6
MAIN-P.W.Board			IC505	51T75063Y06	BD5228G-TR -CP
MAIN-P.W.Board			IC7000	51-13857Z01	RT9711DGB -CP
MAIN-P.W.Board			IC7001	51-14572Z01	IC,MN103SH7JUB -QT
MAIN-P.W.Board			IC701	51-09762Z07	MN6627971AH -QT
MAIN-P.W.Board			IC702	51-06020Z01	AN41023A-E1 -SEA

Mark Model Code

#1 CDE-102 Only,

\$1 CDE-102E (General Foreign) Only,


%1 CDE-102E (Chinese) Only,

&1 CDE-102L Only,

Others:Common.

NOTE:The part that has not PART NUMBER will not be supplied.

P.W.Board	MIS	MODEL	Ref.	Parts No.	Parts Name
-----------	-----	-------	------	-----------	------------

MAIN-P.W.Board			IC703	51-11810Z01	KIC7WZ32FK-RTK -CP
MAIN-P.W.Board			IC705	51T35410Y01	S-817A33ANB-T2 -CP
MAIN-P.W.Board			IC706	51T25330Y01	TC7WH123FU-TE12L-SE1
MAIN-P.W.Board			IC801	51-11433Z01	RT9702AGB -CP
MAIN-P.W.Board			IC803	51-13711Z01	TB2920HQ -ZS
MAIN-P.W.Board			IC805	51-05862Z01	NJM2845DL1-33-TE1NE5
MAIN-P.W.Board			IC806	51-11631Z01	RT9198-15GBR -CP
MAIN-P.W.Board			IC807	51-02248Z01	BD9781HFP-TR -NEA
MAIN-P.W.Board			JK201	09-11353Z01	RCA,YKC21-4817N -DB
MAIN-P.W.Board			L001	24T25164Y21	IND,FSLM2520 4R7J-CP
MAIN-P.W.Board			L002	24T16403W29	COI,IND.15R-M -CP
MAIN-P.W.Board			L003	24T35286Y02	IND,MG56 332J -DB
MAIN-P.W.Board			L004	24T55488Y20	IND,LLQ1608 R027J-CP
MAIN-P.W.Board			L005	24T55488Y24	IND,LLQ1608 R039J-CP
MAIN-P.W.Board			L501	24T95456W27	FBI,BLM18PG181SH1-CP
MAIN-P.W.Board			L7000	24T93615F03	IND,NL 10RJ -CP
MAIN-P.W.Board			L800	24-04484Z06	IND,7B12HJ 101M -EA
MAIN-P.W.Board			Q200	48-02302Z02	TR,XP0331200L -CP
MAIN-P.W.Board			Q202	48T25317Y01	TR,XN0F256-TX -CP
MAIN-P.W.Board			Q204	48T25317Y01	TR,XN0F256-TX -CP
MAIN-P.W.Board			Q301	48-04929Z02	TR,KRC102S-RTK -CP
MAIN-P.W.Board			Q302	48-02302Z02	TR,XP0331200L -CP
MAIN-P.W.Board			Q303	48-04929Z03	TR,KRC103S-RTK -CP
MAIN-P.W.Board			Q304	48-04929Z02	TR,KRC102S-RTK -CP
MAIN-P.W.Board			Q305	48-11160Z01	TR,2SC5950G0L-TX -CP
MAIN-P.W.Board			Q306	48-04929Z03	TR,KRC103S-RTK -CP
MAIN-P.W.Board			Q500	48-09583Z04	TR,KTA1504S-GRRTK-CP
MAIN-P.W.Board			Q501	48-04929Z02	TR,KRC102S-RTK -CP
MAIN-P.W.Board			Q700	48-12535Z02	TR,XP0111200-L -CP
MAIN-P.W.Board			Q7000	48-04929Z03	TR,KRC103S-RTK -CP
MAIN-P.W.Board			Q701	48T73022F01	TR ,2SB766A -E2
MAIN-P.W.Board			Q703	48-07989Z02	TR,UNR5212J-TX -CP
MAIN-P.W.Board			Q704	48-02302Z02	TR,XP0331200L -CP
MAIN-P.W.Board			Q705	48-07987Z02	TR,UNR5112J-TX -CP
MAIN-P.W.Board			Q801	48-04929Z02	TR,KRC102S-RTK -CP
MAIN-P.W.Board			Q802	48-12536Z02	TR,XP0121200-L -CP
MAIN-P.W.Board			Q804	48-02302Z02	TR,XP0331200L -CP
MAIN-P.W.Board			Q812	48-02302Z02	TR,XP0331200L -CP
MAIN-P.W.Board			Q813	48-05471Z01	TR,XPONG8A00-L -CP
MAIN-P.W.Board			Q814	48-04929Z03	TR,KRC103S-RTK -CP
MAIN-P.W.Board			Q815	48-08602Z01	TR,2SA2071-Q-T100-E2
MAIN-P.W.Board			Q816	48-04929Z18	TR,KRC119S-RTK -CP
MAIN-P.W.Board			R001	06S55361Y17	RES,RK 10RJ 1/4 -CP
MAIN-P.W.Board			R002	06S70072F78	RES,CP .2R2-J-1/4-CP

Mark Model Code

#1 CDE-102 Only,

\$1 CDE-102E (General Foreign) Only,

%1 CDE-102E (Chinese) Only,

&1 CDE-102L Only,

Others:Common.

NOTE:The part that has not PART NUMBER will not be supplied.

P.W.Board	MIS	MODEL	Ref.	Parts No.	Parts Name
-----------	-----	-------	------	-----------	------------

MAIN-P.W.Board			R018	06S45674W19	RES,RK 27RJ 1/10 -CP
MAIN-P.W.Board			R019	06S45674W19	RES,RK 27RJ 1/10 -CP
MAIN-P.W.Board			R13	06S45674W89	RES,RK 223J 1/10 -CP
MAIN-P.W.Board			R200	06S15593Y87	RES,RK 393F 1/10 -CP
MAIN-P.W.Board			R203	06S45675W02	RES,RK 683J 1/10 -CP
MAIN-P.W.Board			R204	06S45675W02	RES,RK 683J 1/10 -CP
MAIN-P.W.Board			R205	06S45675W02	RES,RK 683J 1/10 -CP
MAIN-P.W.Board			R206	06S45675W02	RES,RK 683J 1/10 -CP
MAIN-P.W.Board			R207	06S15594Y15	RES,RK 514F 1/10 -CP
MAIN-P.W.Board			R208	06S45674W97	RES,RK 473J 1/10 -CP
MAIN-P.W.Board			R209	06S64995F37	RES,RK 221J 1/8 -CP
MAIN-P.W.Board			R212	06S64995F37	RES,RK 221J 1/8 -CP
MAIN-P.W.Board			R213	06S64995F37	RES,RK 221J 1/8 -CP
MAIN-P.W.Board			R214	06S64995F37	RES,RK 221J 1/8 -CP
MAIN-P.W.Board			R216	06S64995F26	RES,RK 75RJ 1/8 -CP
MAIN-P.W.Board			R217	06S64995F26	RES,RK 75RJ 1/8 -CP
MAIN-P.W.Board			R219	06S64995F26	RES,RK 75RJ 1/8 -CP
MAIN-P.W.Board			R220	06S64995F26	RES,RK 75RJ 1/8 -CP
MAIN-P.W.Board			R221	06S70072F53	RES,CP .102-J-1/4-CP
MAIN-P.W.Board			R222	06S70072F53	RES,CP .102-J-1/4-CP
MAIN-P.W.Board			R223	06S55361Y65	RES,RK 102J 1/4 -CP
MAIN-P.W.Board			R224	06S55361Y65	RES,RK 102J 1/4 -CP
MAIN-P.W.Board			R225	06S55361Y65	RES,RK 102J 1/4 -CP
MAIN-P.W.Board			R229	06S35083Y45	RES,RK 473F 1/4 -CP
MAIN-P.W.Board			R230	06S55365Y59	RES,RK 561J 1/10 -CP
MAIN-P.W.Board			R231	06S55365Y59	RES,RK 561J 1/10 -CP
MAIN-P.W.Board			R232	06S35083Y45	RES,RK 473F 1/4 -CP
MAIN-P.W.Board			R233	06S35083Y45	RES,RK 473F 1/4 -CP
MAIN-P.W.Board			R234	06S70072F53	RES,CP .102-J-1/4-CP
MAIN-P.W.Board			R236	06S45674W97	RES,RK 473J 1/10 -CP
MAIN-P.W.Board			R244	06S45674W33	RES,RK 101J 1/10 -CP
MAIN-P.W.Board			R245	06S45674W57	RES,RK 102J 1/10 -CP
MAIN-P.W.Board			R300	06S55362Y01	RES,RK 303J 1/4 -CP
MAIN-P.W.Board			R301	06S45674W81	RES,RK 103J 1/10 -CP
MAIN-P.W.Board			R302	06S45674W81	RES,RK 103J 1/10 -CP
MAIN-P.W.Board			R303	06S45674W41	RES,RK 221J 1/10 -CP
MAIN-P.W.Board			R304	06S45674W85	RES,RK 153J 1/10 -CP
MAIN-P.W.Board			R305	06S70072F29	RES,CP .101-J-1/4-CP
MAIN-P.W.Board			R306	06S45674W81	RES,RK 103J 1/10 -CP
MAIN-P.W.Board			R307	06S45674W33	RES,RK 101J 1/10 -CP
MAIN-P.W.Board			R308	06S45674W57	RES,RK 102J 1/10 -CP
MAIN-P.W.Board			R310	06S45674W85	RES,RK 153J 1/10 -CP
MAIN-P.W.Board			R501	06S45674W61	RES,RK 152J 1/10 -CP
MAIN-P.W.Board		\$1	R503	06S45675W34	RES,RK 225J 1/10 -CP

Mark Model Code

#1 CDE-102 Only,

\$1 CDE-102E (General Foreign) Only,

%1 CDE-102E (Chinese) Only,

&1 CDE-102L Only,

Others:Common.

NOTE:The part that has not PART NUMBER will not be supplied.

P.W.Board	MIS	MODEL	Ref.	Parts No.	Parts Name
-----------	-----	-------	------	-----------	------------

MAIN-P.W.Board		%1	R503	06S45675W34	RES,RK 225J 1/10 -CP
MAIN-P.W.Board			R508	06S45674W75	RES,RK 562J 1/10 -CP
MAIN-P.W.Board			R510	06S45674W33	RES,RK 101J 1/10 -CP
MAIN-P.W.Board			R511	06S45674W33	RES,RK 101J 1/10 -CP
MAIN-P.W.Board			R512	06S45674W33	RES,RK 101J 1/10 -CP
MAIN-P.W.Board			R514	06S45674W33	RES,RK 101J 1/10 -CP
MAIN-P.W.Board			R515	06S45674W57	RES,RK 102J 1/10 -CP
MAIN-P.W.Board			R516	06S45674W89	RES,RK 223J 1/10 -CP
MAIN-P.W.Board			R522	06S45674W33	RES,RK 101J 1/10 -CP
MAIN-P.W.Board			R524	06S45674W57	RES,RK 102J 1/10 -CP
MAIN-P.W.Board			R527	06S45674W90	RES,RK 243J 1/10 -CP
MAIN-P.W.Board			R528	06S45674W75	RES,RK 562J 1/10 -CP
MAIN-P.W.Board			R529	06S45674W75	RES,RK 562J 1/10 -CP
MAIN-P.W.Board			R530	06S45674W93	RES,RK 333J 1/10 -CP
MAIN-P.W.Board		\$1	R531	06S45675W43	RES,RK JUMPER1/10-CP
MAIN-P.W.Board		%1	R531	06S45675W43	RES,RK JUMPER1/10-CP
MAIN-P.W.Board			R532	06S64995F53	RES,RK 102J 1/8 -CP
MAIN-P.W.Board			R534	06S45674W33	RES,RK 101J 1/10 -CP
MAIN-P.W.Board			R535	06S45674W81	RES,RK 103J 1/10 -CP
MAIN-P.W.Board			R536	06S45674W81	RES,RK 103J 1/10 -CP
MAIN-P.W.Board			R537	06S45674W89	RES,RK 223J 1/10 -CP
MAIN-P.W.Board			R538	06S45674W89	RES,RK 223J 1/10 -CP
MAIN-P.W.Board			R539	06S45674W33	RES,RK 101J 1/10 -CP
MAIN-P.W.Board			R540	06S45674W33	RES,RK 101J 1/10 -CP
MAIN-P.W.Board			R541	06S45674W33	RES,RK 101J 1/10 -CP
MAIN-P.W.Board			R542	06S45674W33	RES,RK 101J 1/10 -CP
MAIN-P.W.Board		\$1	R543	06S45674W33	RES,RK 101J 1/10 -CP
MAIN-P.W.Board		%1	R543	06S45674W33	RES,RK 101J 1/10 -CP
MAIN-P.W.Board			R544	06S45674W89	RES,RK 223J 1/10 -CP
MAIN-P.W.Board			R545	06S45674W65	RES,RK 222J 1/10 -CP
MAIN-P.W.Board			R547	06S45674W33	RES,RK 101J 1/10 -CP
MAIN-P.W.Board			R553	06S64995F53	RES,RK 102J 1/8 -CP
MAIN-P.W.Board			R554	06S45674W89	RES,RK 223J 1/10 -CP
MAIN-P.W.Board			R555	06S15593Y97	RES,RK 104F 1/10 -CP
MAIN-P.W.Board			R556	06S45674W89	RES,RK 223J 1/10 -CP
MAIN-P.W.Board			R557	06S45674W33	RES,RK 101J 1/10 -CP
MAIN-P.W.Board			R561	06S45674W89	RES,RK 223J 1/10 -CP
MAIN-P.W.Board			R562	06S45674W57	RES,RK 102J 1/10 -CP
MAIN-P.W.Board			R566	06S45674W33	RES,RK 101J 1/10 -CP
MAIN-P.W.Board			R567	06S45674W33	RES,RK 101J 1/10 -CP
MAIN-P.W.Board			R569	06S45674W89	RES,RK 223J 1/10 -CP
MAIN-P.W.Board			R570	06S64995F77	RES,RK 103J 1/8 -CP
MAIN-P.W.Board			R571	06S45674W89	RES,RK 223J 1/10 -CP
MAIN-P.W.Board			R572	06S45674W81	RES,RK 103J 1/10 -CP

Mark Model Code

#1 CDE-102 Only,

\$1 CDE-102E (General Foreign) Only,

%1 CDE-102E (Chinese) Only,

&1 CDE-102L Only,

Others:Common.

NOTE:The part that has not PART NUMBER will not be supplied.

P.W.Board	MIS	MODEL	Ref.	Parts No.	Parts Name
-----------	-----	-------	------	-----------	------------

MAIN-P.W.Board			R573	06S45674W33	RES,RK 101J 1/10 -CP
MAIN-P.W.Board			R574	06S45674W33	RES,RK 101J 1/10 -CP
MAIN-P.W.Board			R575	06S45674W89	RES,RK 223J 1/10 -CP
MAIN-P.W.Board			R576	06S45674W75	RES,RK 562J 1/10 -CP
MAIN-P.W.Board			R578	06S45674W57	RES,RK 102J 1/10 -CP
MAIN-P.W.Board			R579	06S45675W02	RES,RK 683J 1/10 -CP
MAIN-P.W.Board			R580	06S45674W65	RES,RK 222J 1/10 -CP
MAIN-P.W.Board			R583	06S45674W89	RES,RK 223J 1/10 -CP
MAIN-P.W.Board		\$1	R586	06S45674W89	RES,RK 223J 1/10 -CP
MAIN-P.W.Board		%1	R586	06S45674W89	RES,RK 223J 1/10 -CP
MAIN-P.W.Board		#1	R587	06S45674W89	RES,RK 223J 1/10 -CP
MAIN-P.W.Board		&1	R587	06S45674W89	RES,RK 223J 1/10 -CP
MAIN-P.W.Board			R589	06S64995F53	RES,RK 102J 1/8 -CP
MAIN-P.W.Board			R591	06S45674W69	RES,RK 332J 1/10 -CP
MAIN-P.W.Board			R594	06S64995F53	RES,RK 102J 1/8 -CP
MAIN-P.W.Board			R595	06S64995F53	RES,RK 102J 1/8 -CP
MAIN-P.W.Board		\$1	R596	06S64995F53	RES,RK 102J 1/8 -CP
MAIN-P.W.Board		%1	R596	06S64995F53	RES,RK 102J 1/8 -CP
MAIN-P.W.Board			R597	06S64995F53	RES,RK 102J 1/8 -CP
MAIN-P.W.Board			R598	06S64995F53	RES,RK 102J 1/8 -CP
MAIN-P.W.Board			R599	06S64995F53	RES,RK 102J 1/8 -CP
MAIN-P.W.Board			R600	06S64995F53	RES,RK 102J 1/8 -CP
MAIN-P.W.Board			R601	06S64995F53	RES,RK 102J 1/8 -CP
MAIN-P.W.Board			R603	06S45674W99	RES,RK 563J 1/10 -CP
MAIN-P.W.Board			R614	06S45674W89	RES,RK 223J 1/10 -CP
MAIN-P.W.Board			R627	06S64996F02	RES,RK 104J 1/8 -CP
MAIN-P.W.Board			R645	06S45674W89	RES,RK 223J 1/10 -CP
MAIN-P.W.Board			R700	06S45674W89	RES,RK 223J 1/10 -CP
MAIN-P.W.Board			R7000	06S55361Y65	RES,RK 102J 1/4 -CP
MAIN-P.W.Board			R7004	06S45674W97	RES,RK 473J 1/10 -CP
MAIN-P.W.Board			R7005	06S45674W33	RES,RK 101J 1/10 -CP
MAIN-P.W.Board			R7006	06S45674W89	RES,RK 223J 1/10 -CP
MAIN-P.W.Board			R7009	06S55366Y39	RES,RK JUMPER1/10-CP
MAIN-P.W.Board			R7010	06S45674W81	RES,RK 103J 1/10 -CP
MAIN-P.W.Board			R7012	06S45674W81	RES,RK 103J 1/10 -CP
MAIN-P.W.Board			R7014	06S45674W57	RES,RK 102J 1/10 -CP
MAIN-P.W.Board			R7015	06S45674W57	RES,RK 102J 1/10 -CP
MAIN-P.W.Board			R7016	06S45674W73	RES,RK 472J 1/10 -CP
MAIN-P.W.Board			R7017	06S45674W73	RES,RK 472J 1/10 -CP
MAIN-P.W.Board			R7018	06S55366Y39	RES,RK JUMPER1/10-CP
MAIN-P.W.Board			R7019	06S45674W33	RES,RK 101J 1/10 -CP
MAIN-P.W.Board			R702	06S45674W89	RES,RK 223J 1/10 -CP
MAIN-P.W.Board			R7020	06S55366Y39	RES,RK JUMPER1/10-CP
MAIN-P.W.Board			R7021	06S45674W33	RES,RK 101J 1/10 -CP

Mark Model Code

#1 CDE-102 Only,

\$1 CDE-102E (General Foreign) Only,

%1 CDE-102E (Chinese) Only,

&1 CDE-102L Only,

Others:Common.

NOTE:The part that has not PART NUMBER will not be supplied.

P.W.Board	MIS	MODEL	Ref.	Parts No.	Parts Name
-----------	-----	-------	------	-----------	------------

MAIN-P.W.Board			R7022	06S45674W33	RES,RK 101J 1/10 -CP
MAIN-P.W.Board			R7023	06S45674W99	RES,RK 563J 1/10 -CP
MAIN-P.W.Board			R704	06S55362Y39	RES,RK JUMPER 1/4-CP
MAIN-P.W.Board			R710	06S45674W94	RES,RK 363J 1/10 -CP
MAIN-P.W.Board			R711	06S45674W87	RES,RK 183J 1/10 -CP
MAIN-P.W.Board			R712	06S45674W97	RES,RK 473J 1/10 -CP
MAIN-P.W.Board			R713	06S45674W33	RES,RK 101J 1/10 -CP
MAIN-P.W.Board			R714	06S45674W75	RES,RK 562J 1/10 -CP
MAIN-P.W.Board			R716	06S45674W75	RES,RK 562J 1/10 -CP
MAIN-P.W.Board			R717	06S45674W97	RES,RK 473J 1/10 -CP
MAIN-P.W.Board			R718	06S45674W33	RES,RK 101J 1/10 -CP
MAIN-P.W.Board			R719	06S45674W75	RES,RK 562J 1/10 -CP
MAIN-P.W.Board			R721	06S45674W57	RES,RK 102J 1/10 -CP
MAIN-P.W.Board			R722	06S45674W83	RES,RK 123J 1/10 -CP
MAIN-P.W.Board			R723	06S45674W33	RES,RK 101J 1/10 -CP
MAIN-P.W.Board			R724	06S45674W85	RES,RK 153J 1/10 -CP
MAIN-P.W.Board			R726	06S45674W75	RES,RK 562J 1/10 -CP
MAIN-P.W.Board			R727	06S45674W87	RES,RK 183J 1/10 -CP
MAIN-P.W.Board			R728	06S45674W33	RES,RK 101J 1/10 -CP
MAIN-P.W.Board			R729	06S45674W85	RES,RK 153J 1/10 -CP
MAIN-P.W.Board			R731	06S45674W75	RES,RK 562J 1/10 -CP
MAIN-P.W.Board			R732	06S45674W89	RES,RK 223J 1/10 -CP
MAIN-P.W.Board			R733	06S45674W89	RES,RK 223J 1/10 -CP
MAIN-P.W.Board			R734	06S45674W81	RES,RK 103J 1/10 -CP
MAIN-P.W.Board			R735	06S45674W81	RES,RK 103J 1/10 -CP
MAIN-P.W.Board			R743	06S45675W04	RES,RK 823J 1/10 -CP
MAIN-P.W.Board			R744	06S45674W55	RES,RK 821J 1/10 -CP
MAIN-P.W.Board			R745	06S45674W67	RES,RK 272J 1/10 -CP
MAIN-P.W.Board			R748	06S45674W53	RES,RK 681J 1/10 -CP
MAIN-P.W.Board			R749	06S45674W53	RES,RK 681J 1/10 -CP
MAIN-P.W.Board			R751	06S45674W97	RES,RK 473J 1/10 -CP
MAIN-P.W.Board			R752	06S45674W97	RES,RK 473J 1/10 -CP
MAIN-P.W.Board			R753	06S45675W30	RES,RK 105J 1/10 -CP
MAIN-P.W.Board			R754	06S45674W37	RES,RK 151J 1/10 -CP
MAIN-P.W.Board			R758	06S45674W81	RES,RK 103J 1/10 -CP
MAIN-P.W.Board			R759	06S45674W81	RES,RK 103J 1/10 -CP
MAIN-P.W.Board			R760	06S45674W81	RES,RK 103J 1/10 -CP
MAIN-P.W.Board			R761	06S45674W97	RES,RK 473J 1/10 -CP
MAIN-P.W.Board			R762	06S45674W97	RES,RK 473J 1/10 -CP
MAIN-P.W.Board			R763	06S45674W99	RES,RK 563J 1/10 -CP
MAIN-P.W.Board			R764	06S45674W33	RES,RK 101J 1/10 -CP
MAIN-P.W.Board			R765	06S45674W93	RES,RK 333J 1/10 -CP
MAIN-P.W.Board			R770	06S45674W97	RES,RK 473J 1/10 -CP
MAIN-P.W.Board			R771	06S45675W06	RES,RK 104J 1/10 -CP

Mark Model Code

#1 CDE-102 Only,

\$1 CDE-102E (General Foreign) Only,

%1 CDE-102E (Chinese) Only,

&1 CDE-102L Only,

Others:Common.

NOTE:The part that has not PART NUMBER will not be supplied.

P.W.Board	MIS	MODEL	Ref.	Parts No.	Parts Name
-----------	-----	-------	------	-----------	------------

MAIN-P.W.Board			R772	06S45675W06	RES,RK 104J 1/10 -CP
MAIN-P.W.Board			R773	06S45675W06	RES,RK 104J 1/10 -CP
MAIN-P.W.Board			R774	06S70072F90	RES,CP .1R0-J-1/4-CP
MAIN-P.W.Board			R781	06S45674W33	RES,RK 101J 1/10 -CP
MAIN-P.W.Board			R782	06S45674W81	RES,RK 103J 1/10 -CP
MAIN-P.W.Board			R784	06S45674W77	RES,RK 682J 1/10 -CP
MAIN-P.W.Board			R785	06S45674W81	RES,RK 103J 1/10 -CP
MAIN-P.W.Board			R786	06S45674W91	RES,RK 273J 1/10 -CP
MAIN-P.W.Board			R788	06S45675W28	RES,RK 824J 1/10 -CP
MAIN-P.W.Board			R791	06S45674W43	RES,RK 271J 1/10 -CP
MAIN-P.W.Board			R792	06S45675W14	RES,RK 224J 1/10 -CP
MAIN-P.W.Board			R797	06S45674W89	RES,RK 223J 1/10 -CP
MAIN-P.W.Board			R798	06S45674W89	RES,RK 223J 1/10 -CP
MAIN-P.W.Board			R800	06S45675W06	RES,RK 104J 1/10 -CP
MAIN-P.W.Board			R801	06S45674W73	RES,RK 472J 1/10 -CP
MAIN-P.W.Board			R802	06S45675W06	RES,RK 104J 1/10 -CP
MAIN-P.W.Board			R803	06S45675W06	RES,RK 104J 1/10 -CP
MAIN-P.W.Board			R804	06S55361Y47	RES,RK 181J 1/4 -CP
MAIN-P.W.Board			R805	06S45674W33	RES,RK 101J 1/10 -CP
MAIN-P.W.Board			R807	06S55361Y47	RES,RK 181J 1/4 -CP
MAIN-P.W.Board			R809	06S15593Y90	RES,RK 513F 1/10 -CP
MAIN-P.W.Board			R810	06S15593Y79	RES,RK 183F 1/10 -CP
MAIN-P.W.Board			R811	06S45675W06	RES,RK 104J 1/10 -CP
MAIN-P.W.Board			R812	06S45675W06	RES,RK 104J 1/10 -CP
MAIN-P.W.Board			R813	06S45674W92	RES,RK 303J 1/10 -CP
MAIN-P.W.Board			R814	06S70072F77	RES,CP .103-J-1/4-CP
MAIN-P.W.Board			R815	06S45674W85	RES,RK 153J 1/10 -CP
MAIN-P.W.Board			R818	06S15593Y76	RES,RK 133F 1/10 -CP
MAIN-P.W.Board			R819	06S15594Y10	RES,RK 334F 1/10 -CP
MAIN-P.W.Board			R820	06S35083Y43	RES,RK 333F 1/4 -CP
MAIN-P.W.Board			R821	06S35083Y34	RES,RK 562F 1/4 -CP
MAIN-P.W.Board			R823	06S15593Y49	RES,RK 102F 1/10 -CP
MAIN-P.W.Board			R824	06S15593Y57	RES,RK 222F 1/10 -CP
MAIN-P.W.Board			R825	06S15593Y96	RES,RK 913F 1/10 -CP
MAIN-P.W.Board			R826	06S15593Y93	RES,RK 683F 1/10 -CP
MAIN-P.W.Board			R828	06S15593Y73	RES,RK 103F 1/10 -CP
MAIN-P.W.Board			R829	06S15593Y56	RES,RK 202F 1/10 -CP
MAIN-P.W.Board			R830	06S15593Y93	RES,RK 683F 1/10 -CP
MAIN-P.W.Board			R832	06S15593Y74	RES,RK 113F 1/10 -CP
MAIN-P.W.Board			R834	06S45674W89	RES,RK 223J 1/10 -CP
MAIN-P.W.Board			R836	06S45674W89	RES,RK 223J 1/10 -CP
MAIN-P.W.Board			R839	06S45674W89	RES,RK 223J 1/10 -CP
MAIN-P.W.Board			R840	06S45674W89	RES,RK 223J 1/10 -CP
MAIN-P.W.Board			R841	06S45674W89	RES,RK 223J 1/10 -CP

Mark Model Code

#1 CDE-102 Only,

\$1 CDE-102E (General Foreign) Only,



%1 CDE-102E (Chinese) Only,

&1 CDE-102L Only,

Others:Common.

NOTE:The part that has not PART NUMBER will not be supplied.

P.W.Board	MIS	MODEL	Ref.	Parts No.	Parts Name
-----------	-----	-------	------	-----------	------------

MAIN-P.W.Board			R842	06S45674W89	RES,RK 223J 1/10 -CP
MAIN-P.W.Board			R845	06S15593Y89	RES,RK 473F 1/10 -CP
MAIN-P.W.Board			R847	06S15593Y97	RES,RK 104F 1/10 -CP
MAIN-P.W.Board			R852	06S70072F77	RES,CP .103-J-1/4-CP
MAIN-P.W.Board			R855	06S45674W81	RES,RK 103J 1/10 -CP
MAIN-P.W.Board			R856	06S70072F77	RES,CP .103-J-1/4-CP
MAIN-P.W.Board			R858	06S70072F61	RES,CP .222-J-1/4-CP
MAIN-P.W.Board			R859	06S55361Y98	RES,RK 243J 1/4 -CP
MAIN-P.W.Board			R860	06S70072F61	RES,CP .222-J-1/4-CP
MAIN-P.W.Board			R861	06T45541Y01	RES,RS 12RJ 2W +
MAIN-P.W.Board			RA500	06S45591W07	RES,ARY MNR101J 4-CP
MAIN-P.W.Board			RA502	06S45591W07	RES,ARY MNR101J 4-CP
MAIN-P.W.Board			RA503	06S45591W07	RES,ARY MNR101J 4-CP
MAIN-P.W.Board			RA504	06S45591W07	RES,ARY MNR101J 4-CP
MAIN-P.W.Board			RA705	06S45591W07	RES,ARY MNR101J 4-CP
MAIN-P.W.Board			RA706	06S45591W07	RES,ARY MNR101J 4-CP
MAIN-P.W.Board			RA708	06S45591W16	RES,ARY MNR223J 4-CP
MAIN-P.W.Board			RA709	06S45591W16	RES,ARY MNR223J 4-CP
MAIN-P.W.Board			RA711	06S45591W16	RES,ARY MNR223J 4-CP
MAIN-P.W.Board			SA001	48-00954Z01	VST,CSA30C201M-T -CP
MAIN-P.W.Board			SD800	48-13903Z01	DIO,SHT RB055L-40-E1
MAIN-P.W.Board			SW501	40T16096W03	SW ,TACT SKHHLW
MAIN-P.W.Board			TU601	TU-00887Z03	TUNER,MX-A210
MAIN-P.W.Board			VR800	18T25282Y28	VAR,EVM3VVSX50 104-CP
MAIN-P.W.Board			XL501	91-11385Z05	XTL,XI 8.000M -R5
MAIN-P.W.Board			XL502	91T95554W03	XTL,CM200S 32.76K-E5
MAIN-P.W.Board			XL503	91T95554W03	XTL,CM200S 32.76K-E5
MAIN-P.W.Board			XL7001	91-14119Z01	XTL,XQ 12.000M -E5
MAIN-P.W.Board			XL701	91-14119Z02	XTL,XQ 16.9344M -E5
MAIN-P.W.Board			Z802	91T65112W06	EMI,BK2125HM102 -CP
MAIN-P.W.Board			ZD200	48-11191Z09	DIO,ZEN MAZ8036GL-CP
MAIN-P.W.Board			ZD201	48-11191Z09	DIO,ZEN MAZ8036GL-CP
MAIN-P.W.Board			ZD700	48-11191Z60	DIO,ZEN MAZ8180GM-CP
MAIN-P.W.Board			ZD7000	48T15541Y49	DIO,ZEN MAZS0510M-CP
MAIN-P.W.Board			ZD7001	48T15541Y49	DIO,ZEN MAZS0510M-CP
MAIN-P.W.Board			ZD800	48-02592Z01	DIO,ZEN Z5W27VJ -EA
FRONT-P.W.Board			C401	08S65667Y03	CAP,CER 474KX5R1A-CP
FRONT-P.W.Board			C402	08S45676W89	CAP,CER 473K-B1E -CP
FRONT-P.W.Board			C403	08S45676W89	CAP,CER 473K-B1E -CP
FRONT-P.W.Board			C404	08S45677W58	CAP,CER 821J-CH1H-CP
FRONT-P.W.Board			C405	08S65667Y03	CAP,CER 474KX5R1A-CP
FRONT-P.W.Board			C406	08S45676W80	CAP,CER 223K-B1E -CP
FRONT-P.W.Board			C408	08S45676W80	CAP,CER 223K-B1E -CP
FRONT-P.W.Board		\$1	C409	08S35374W12	CAP,CER 106K-BOJ -CP

Mark Model Code

#1 CDE-102 Only,

\$1 CDE-102E (General Foreign) Only,




%1 CDE-102E (Chinese) Only,

&1 CDE-102L Only,

Others:Common.

NOTE:The part that has not PART NUMBER will not be supplied.

P.W.Board	MIS	MODEL	Ref.	Parts No.	Parts Name
-----------	-----	-------	------	-----------	------------

FRONT-P.W.Board		%1	C409	08S35374W12	CAP,CER 106K-B0J -CP
FRONT-P.W.Board			CB401	09-14087Z01	BTB,244202120K2 -S
FRONT-P.W.Board			D401	48-07015Z01	DIO,KDS160-RTK -CP
FRONT-P.W.Board			D404	48T81063F01	DIO,CP.MA159 / TX-CP
FRONT-P.W.Board			D405	48T94471F04	DIO,IMN10-T108 -CP
FRONT-P.W.Board			D407	48-06707Z01	DIO,MA3J147-TX -CP
FRONT-P.W.Board			D408	48-06707Z01	DIO,MA3J147-TX -CP
FRONT-P.W.Board			D409	48-06707Z01	DIO,MA3J147-TX -CP
FRONT-P.W.Board			D410	48-06707Z01	DIO,MA3J147-TX -CP
FRONT-P.W.Board			D411	48T94471F04	DIO,IMN10-T108 -CP
FRONT-P.W.Board		\$1	D413	48T85357W01	DIO,1PS226 -CP
FRONT-P.W.Board		%1	D413	48T85357W01	DIO,1PS226 -CP
FRONT-P.W.Board			IC401	51T02347K01	PT6583LQ(L) -QT
FRONT-P.W.Board		\$1	IC402	51-11731Z01	RPMS2381-H19-E4A-NE5
FRONT-P.W.Board		%1	IC402	51-11731Z01	RPMS2381-H19-E4A-NE5
FRONT-P.W.Board			JK400	09-14258Z01	JAC,LGT8502-0300F-DB
FRONT-P.W.Board			LCD401	65-13828Z01	LCD, TD0568M0TTN-F
FRONT-P.W.Board			LD400	48-13928Z01	LED,ARY QB.L.021 -DB
FRONT-P.W.Board			LD401	48-14200Z01	LED,BLU LNJ926W8C-CP
FRONT-P.W.Board			LD408	48-14200Z01	LED,BLU LNJ926W8C-CP
FRONT-P.W.Board			LD410	48-11414Z01	LED,RED KPT-1608S-CP
FRONT-P.W.Board			LD414	48-11414Z01	LED,RED KPT-1608S-CP
FRONT-P.W.Board			LD415	48-11414Z01	LED,RED KPT-1608S-CP
FRONT-P.W.Board			LD416	48-11414Z01	LED,RED KPT-1608S-CP
FRONT-P.W.Board			LD417	48-11414Z01	LED,RED KPT-1608S-CP
FRONT-P.W.Board			LD418	48-11414Z01	LED,RED KPT-1608S-CP
FRONT-P.W.Board			LD419	48-11414Z01	LED,RED KPT-1608S-CP
FRONT-P.W.Board			LD420	48-11414Z01	LED,RED KPT-1608S-CP
FRONT-P.W.Board			LD421	48-11414Z01	LED,RED KPT-1608S-CP
FRONT-P.W.Board			LD422	48-11414Z01	LED,RED KPT-1608S-CP
FRONT-P.W.Board			LD423	48-11414Z01	LED,RED KPT-1608S-CP
FRONT-P.W.Board			LD424	48-11414Z01	LED,RED KPT-1608S-CP
FRONT-P.W.Board			LD443	48-11414Z01	LED,RED KPT-1608S-CP
FRONT-P.W.Board			Q402	48T73023F01	TR ,2SD874A -E2
FRONT-P.W.Board			Q405	48-04929Z07	TR,KRC107S-RTK -CP
FRONT-P.W.Board			Q406	48-11160Z01	TR,2SC5950G0L-TX -CP
FRONT-P.W.Board			Q409	48T63788F04	TR,2SD1328-T-TX -CP
FRONT-P.W.Board			R412	06S15593Y93	RES,RK 683F 1/10 -CP
FRONT-P.W.Board			R413	06S15593Y49	RES,RK 102F 1/10 -CP
FRONT-P.W.Board			R414	06S15593Y87	RES,RK 393F 1/10 -CP
FRONT-P.W.Board			R415	06S45674W97	RES,RK 473J 1/10 -CP
FRONT-P.W.Board			R416	06S15593Y49	RES,RK 102F 1/10 -CP
FRONT-P.W.Board			R417	06S45674W73	RES,RK 472J 1/10 -CP
FRONT-P.W.Board			R418	06S45674W97	RES,RK 473J 1/10 -CP

Mark Model Code

#1 CDE-102 Only,

\$1 CDE-102E (General Foreign) Only,


%1 CDE-102E (Chinese) Only,

&1 CDE-102L Only,

Others:Common.

NOTE:The part that has not PART NUMBER will not be supplied.

P.W.Board	MIS	MODEL	Ref.	Parts No.	Parts Name
-----------	-----	-------	------	-----------	------------

FRONT-P.W.Board			R419	06S45674W97	RES,RK 473J 1/10 -CP
FRONT-P.W.Board			R420	06S45674W97	RES,RK 473J 1/10 -CP
FRONT-P.W.Board			R421	06S45674W97	RES,RK 473J 1/10 -CP
FRONT-P.W.Board			R424	06S55361Y49	RES,RK 221J 1/4 -CP
FRONT-P.W.Board			R426	06S55361Y57	RES,RK 471J 1/4 -CP
FRONT-P.W.Board			R429	06S55361Y63	RES,RK 821J 1/4 -CP
FRONT-P.W.Board			R430	06S55361Y73	RES,RK 222J 1/4 -CP
FRONT-P.W.Board			R431	06S45674W73	RES,RK 472J 1/10 -CP
FRONT-P.W.Board			R434	06S55361Y75	RES,RK 272J 1/4 -CP
FRONT-P.W.Board			R435	06S45674W61	RES,RK 152J 1/10 -CP
FRONT-P.W.Board			R436	06S55361Y79	RES,RK 392J 1/4 -CP
FRONT-P.W.Board			R437	06S55363Y65	RES,RK 102J 1/8 -CP
FRONT-P.W.Board			R438	06S55363Y65	RES,RK 102J 1/8 -CP
FRONT-P.W.Board			R439	06S55361Y79	RES,RK 392J 1/4 -CP
FRONT-P.W.Board			R440	06S55361Y79	RES,RK 392J 1/4 -CP
FRONT-P.W.Board			R441	06S35095Y08	RES,RK JUMPER 1/4-CP
FRONT-P.W.Board			R442	06S55361Y73	RES,RK 222J 1/4 -CP
FRONT-P.W.Board			R443	06S55361Y70	RES,RK 162J 1/4 -CP
FRONT-P.W.Board			R445	06S55361Y79	RES,RK 392J 1/4 -CP
FRONT-P.W.Board			R446	06S55361Y84	RES,RK 622J 1/4 -CP
FRONT-P.W.Board			R450	06S55363Y65	RES,RK 102J 1/8 -CP
FRONT-P.W.Board			R451	06S55363Y65	RES,RK 102J 1/8 -CP
FRONT-P.W.Board			R452	06S55363Y65	RES,RK 102J 1/8 -CP
FRONT-P.W.Board			R453	06S55363Y65	RES,RK 102J 1/8 -CP
FRONT-P.W.Board			R458	06S55361Y93	RES,RK 153J 1/4 -CP
FRONT-P.W.Board			R460	06S55361Y93	RES,RK 153J 1/4 -CP
FRONT-P.W.Board			R462	06S55361Y24	RES,RK 20RJ 1/4 -CP
FRONT-P.W.Board			R463	06S55361Y24	RES,RK 20RJ 1/4 -CP
FRONT-P.W.Board			R465	06S55361Y85	RES,RK 682J 1/4 -CP
FRONT-P.W.Board		\$1	R466	06S55363Y65	RES,RK 102J 1/8 -CP
FRONT-P.W.Board		%1	R466	06S55363Y65	RES,RK 102J 1/8 -CP
FRONT-P.W.Board		\$1	R467	06S64995F21	RES,RK 47RJ 1/8 -CP
FRONT-P.W.Board		%1	R467	06S64995F21	RES,RK 47RJ 1/8 -CP
FRONT-P.W.Board			R468	06S55361Y91	RES,RK 123J 1/4 -CP
FRONT-P.W.Board			RA401	06S45591W06	RES,ARY MNR102J 4-CP
FRONT-P.W.Board			RA402	06S45591W06	RES,ARY MNR102J 4-CP
FRONT-P.W.Board			RA403	06S45591W06	RES,ARY MNR102J 4-CP
FRONT-P.W.Board			SK400	09-14148Z01	SKT,YKF45-0042N -DB
FRONT-P.W.Board			SW401	40T65353Y01	SW,TACT SKRSPACE010E2
FRONT-P.W.Board			SW402	40T65353Y01	SW,TACT SKRSPACE010E2
FRONT-P.W.Board			SW403	40T65353Y01	SW,TACT SKRSPACE010E2
FRONT-P.W.Board			SW404	40T65353Y01	SW,TACT SKRSPACE010E2
FRONT-P.W.Board			SW405	40T65353Y01	SW,TACT SKRSPACE010E2
FRONT-P.W.Board			SW406	40T65353Y01	SW,TACT SKRSPACE010E2

Mark Model Code

#1 CDE-102 Only,

\$1 CDE-102E (General Foreign) Only,





%1 CDE-102E (Chinese) Only,

&1 CDE-102L Only,

Others:Common.

NOTE:The part that has not PART NUMBER will not be supplied.

P.W.Board	MIS	MODEL	Ref.	Parts No.	Parts Name
-----------	-----	-------	------	-----------	------------

FRONT-P.W.Board			SW407	40T65353Y01	SW,TACT SKRSPACE010E2
FRONT-P.W.Board			SW408	40T65353Y01	SW,TACT SKRSPACE010E2
FRONT-P.W.Board			SW409	40T65353Y01	SW,TACT SKRSPACE010E2
FRONT-P.W.Board			SW410	40T65353Y01	SW,TACT SKRSPACE010E2
FRONT-P.W.Board			SW411	40T65353Y01	SW,TACT SKRSPACE010E2
FRONT-P.W.Board			SW412	40T65353Y01	SW,TACT SKRSPACE010E2
FRONT-P.W.Board			SW413	40T65353Y01	SW,TACT SKRSPACE010E2
FRONT-P.W.Board			SW414	40T65353Y01	SW,TACT SKRSPACE010E2
FRONT-P.W.Board			SW415	40T65353Y01	SW,TACT SKRSPACE010E2
FRONT-P.W.Board			SW416	40T65353Y01	SW,TACT SKRSPACE010E2
FRONT-P.W.Board			SW417	40T65353Y01	SW,TACT SKRSPACE010E2
FRONT-P.W.Board			SW418	40-10735Z02	ENC,EC12D1524405 -DB
FRONT-P.W.Board			Z401	91T65123Y02	EMI,DLW21SN900SQ2-CP
FRONT-P.W.Board			ZD401	48-11191Z36	DIO,ZEN MAZ8082GH-CP
FRONT-P.W.Board			ZD403	48T15541Y49	DIO,ZEN MAZS0510M-CP
FRONT-P.W.Board			ZD404	48T15541Y49	DIO,ZEN MAZS0510M-CP
Miscellaneous			ET200	09-14128Z01	ASSY,ANID-0093-01A
SW(DP33U8BV)- P.W.Board			CB101	09-09314Z01	FFC,IMSA9664S-11Y-EQ
SW(DP33U8BV)- P.W.Board			PT1	48-13077Z01	PHT,TR KP3216P3BT-CP
SW(DP33U8BV)- P.W.Board			PT2	48-13077Z01	PHT,TR KP3216P3BT-CP
SW(DP33U8BV)- P.W.Board			PT3	48-13077Z01	PHT,TR KP3216P3BT-CP
SW(DP33U8BV)- P.W.Board			SW1	40T15494Y16	SW,DETCT SPVG1103-E6
FPC.PHOTO.VE- P.W.Board			C101	08S45677W42	CAP,CER.181J-CH1H-CP
FPC.PHOTO.VE- P.W.Board			C102	08S45677W42	CAP,CER.181J-CH1H-CP
FPC.PHOTO.VE- P.W.Board			C103	08S45677W42	CAP,CER.181J-CH1H-CP
FPC.PHOTO.VE- P.W.Board			LD101	48-13076Z01	LED,KPTD-3216F3C -CP
FPC.PHOTO.VE- P.W.Board			LD102	48-13076Z01	LED,KPTD-3216F3C -CP
FPC.PHOTO.VE- P.W.Board			LD103	48-13076Z01	LED,KPTD-3216F3C -CP
FPC.PHOTO.VE- P.W.Board			R101	06S45674W51	RES,RK 561J 1/10 -CP
FPC.PHOTO.VE- P.W.Board			R102	06S45674W51	RES,RK 561J 1/10 -CP
FPC.PHOTO.VE- P.W.Board			R103	06S45674W51	RES,RK 561J 1/10 -CP
Miscellaneous			HD1	EP-12502Z01	EP21A96T

Mark Model Code

#1 CDE-102 Only,

\$1 CDE-102E (General Foreign) Only,


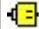
%1 CDE-102E (Chinese) Only,

&1 CDE-102L Only,

Others:Common.

NOTE:The part that has not PART NUMBER will not be supplied.

P.W.Board	MIS	MODEL	Ref.	Parts No.	Parts Name
-----------	-----	-------	------	-----------	------------

Miscellaneous			M1	66-09123Z07	ASSY,SPDL MTR AOTA
Miscellaneous			M2	66-13908Z44	ASSY,LD-SLED MTR AOTA 8BV

Mark Model Code

#1 CDE-102 Only,

\$1 CDE-102E (General Foreign) Only,

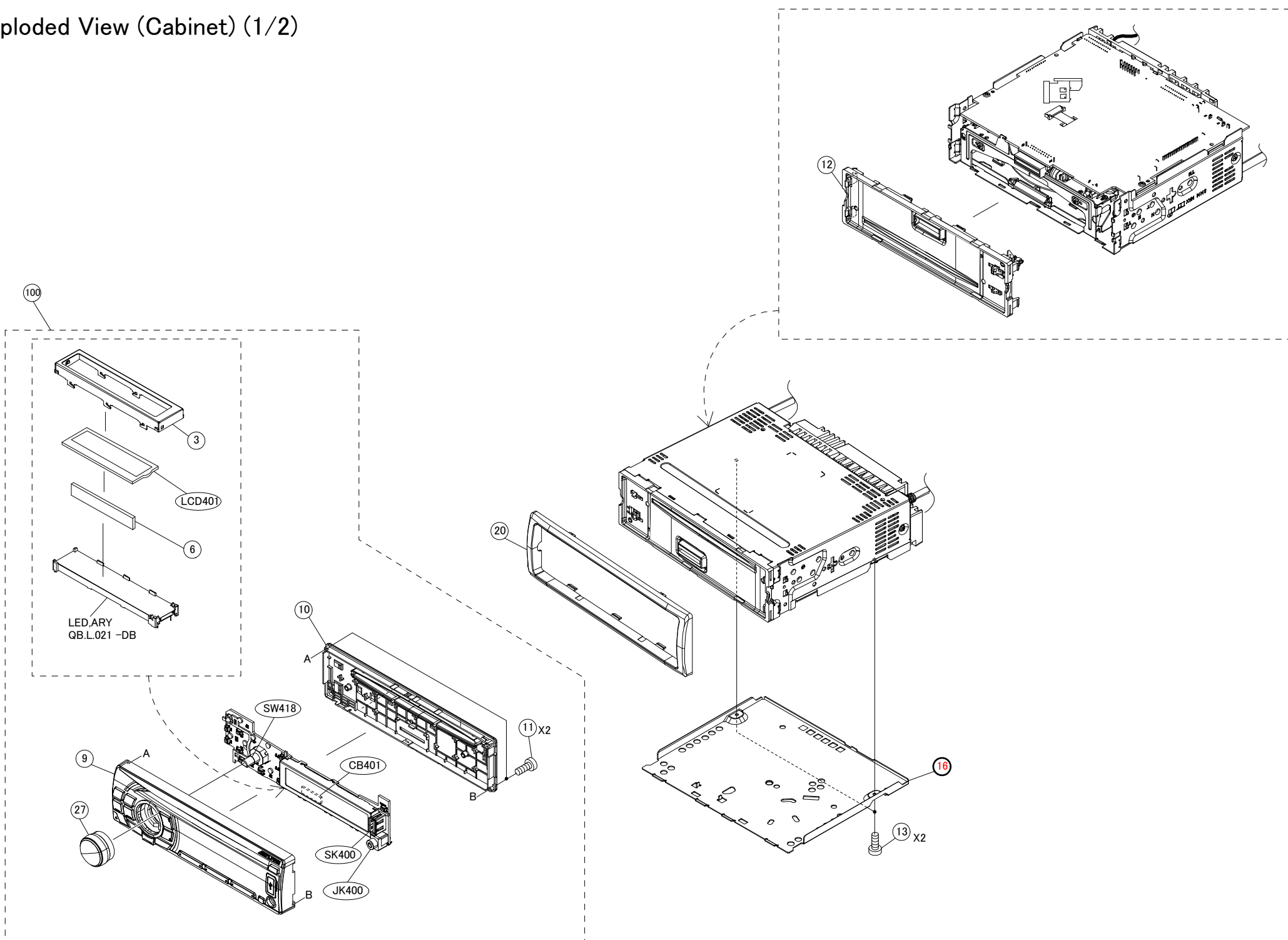
%1 CDE-102E (Chinese) Only,

&1 CDE-102L Only,

Others:Common.

NOTE:The part that has not PART NUMBER will not be supplied.

Exploded View (Cabinet) (1/2)



MODEL	Symbol No.	Parts No.	Description
	2	09T84840F01	LUG,STYLE 18MM
	3	15-13735Z01	COVER,LCD
	6	75-13740Z01	RUBBER,ELECTRONIC
	7	-----	BKT,CHAS REAR
	8	03S60825Y04	SCR,B-T 3X8 ZN A
#1	9	EN-13934Z01	NOSE,PIECE ASSY
\$1	9	EN-13934Z07	NOSE,PIECE ASSY
%1	9	EN-13934Z07	NOSE,PIECE ASSY
&1	9	EN-13934Z14	NOSE,PIECE ASSY
	10	13-13733Z01	NOSE,BOTTOM
	11	03-02876Z28	SCR,WEV 1.7X7 ZB A
	12	EN-13741Z01	NOSE,BASE ASSY
	13	03S60822Y13	SCR,S-T 2.6X6 ZN A
	15	-----	CHAS BASE TOP
	16	-----	COVER,BOTTOM
	17	-----	HEAT,SINK(A)
	19	14-08597Z01	INS,REAR
	20	33C04102K07	FACE,PLATE
	21	75-06068Z34	CUS,RUB 10X5XT1.65
	22	84-09445Z01	FPC,11PIN MECH
	23	DP-12685Z01	DP33U8BV
	27	36-10933Z01	KNOB,ROTARY ASSY
	28	14-14558Z01	INS,COVER MECH
	29	75-06068Z64	CUS,RUB 14X4XT1.2
#1	100	SU-14650Z01	SERVICE_NOSE_102
\$1	100	SU-14642Z01	SERVICE_NOSE_102E
%1	100	SU-14642Z01	SERVICE_NOSE_102E
&1	100	SU-14651Z01	SERVICE_NOSE_102L
	ANT001	09-06103Z04	ASSY,ANID-0035-04A
	CB401	09-14087Z01	BTB,244202120K2 -S
	CB803	24-02502Z02	ASSY,W277A001 -DB
	CH500	09-14071Z01	BTB,144201120K4 -DB
	ET200	09-14128Z01	ASSY,ANID-0093-01A
	JK201	09-11353Z01	RCA,YKC21-4817N -DB
	JK400	09-14258Z01	JAC,LGT8502-0300F-DB
	LCD401	65-13828Z01	LCD, TD0568M0TTN-F
	SK400	09-14148Z01	SKT,YKF45-0042N -DB
	SW418	40-10735Z02	ENC,EC12D1524405 -DB
	SW501	40T16096W03	SW ,TACT SKHHLW
	TU601	TU-00887Z03	TUNER,MX-A210

Mark Model Code

#1 CDE-102 Only,

\$1 CDE-102E (General Foreign) Only,

%1 CDE-102E (Chinese) Only,

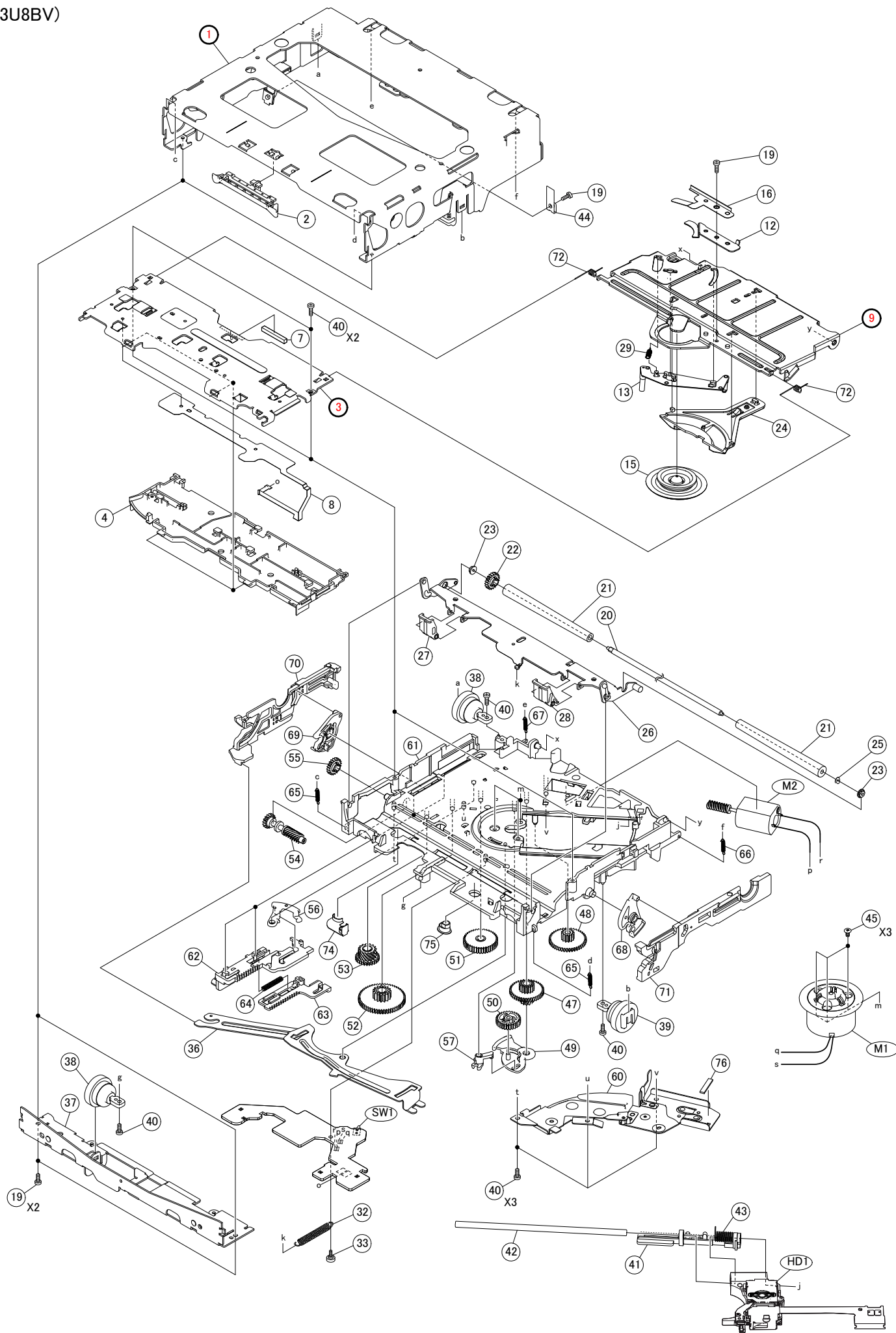
&1 CDE-102L Only,

Others:Common.

NOTE:The part that has not PART NUMBER will not be supplied.

Exploded View (CD Deck Mechanism)

(DP33U8BV)



MODEL	Symbol No.	Parts No.	Description
	1	-----	CHAS,BASE DP-U
	2	15-08614Z01	GUIDE, TOP 2 DP-U
	3	-----	CHAS, TOP 8LS
	4	15-10062Z05	GUIDE, TOP 8LS
	7	14-06145Z26	INS,CVR 12X2.7XT2
	8	84-14334Z01	FPC, PHOTO VE
	9	-----	ARM, CLAPM 8LS
	12	07-04871Z05	BKT, CLAMPER
	13	45-10065Z04	LEVER, ACTUATOR 8LS
	15	43-08616Z04	TABLE, CLAMPER DP-U
	16	41-13531Z01	SPG, CLAMPER VE
	19	03S60822Y43	SCR, S-T 2X3 ZN A
	20	47-04894Z02	SHAFT, ROLLER DP-U
	21	49-07008Z02	ROLLER, DP-U
	22	44-08626Z01	GEAR, ROLLER
	23	43-08617Z01	BUSH, ROLLER DP-U
	24	15-10063Z04	GUARD, DISC
	25	04S40075G88	WAS, LOC 1.7X4.5X0.25
	26	45-10061Z04	ARM, DISC GUIDE 8LS
	27	45-08642Z01	ARM, FENCE L
	28	45-08643Z01	ARM, FENCE R
	29	41-05867Z14	SPRING, ACTUATOR-2
	32	41-05867Z11	SPRING, ROLLER AOTA 2
	33	03-10564Z01	SCR, SPG. ROLLER AOTA2
	36	45-08510Z04	LEVER, LINK DRIVE
	37	07-04867Z02	BKT, DAMPER
	38	75-13914Z01	DAMPER, DP-U VE Z01
	39	75-13914Z02	DAMPER, DP-U VE Z02
	40	03S70693Y06	SCR, P-T 2X6 ZB A
	41	44-08628Z01	RACK, SLED
	42	47-04895Z01	SHAFT, PICK DP-U
	43	41-05866Z02	SPRING, SLED
	44	41-09325Z01	SPRING, RATTLE L
	45	03S60820Y72	SCR, MCH 1.7X3 ZN A
	47	44-08618Z01	GEAR, A
	48	44-08619Z01	GEAR, B
	49	45-08631Z01	LEVER, TIMING GEAR
	50	44-08620Z01	GEAR, C
	51	44-08621Z01	GEAR, D
	52	44-08622Z01	GEAR, E
	53	44-08623Z01	GEAR, F
	54	44-08624Z01	GEAR, G
	55	44-09654Z01	GEAR, H-2
	56	45-08632Z01	LEVER, LOCK DP-U
	57	45-08630Z01	LEVER, TIMING PICK

Mark Model Code

#1 CDE-102 Only,

\$1 CDE-102E (General Foreign) Only,

%1 CDE-102E (Chinese) Only,

&1 CDE-102L Only,

Others: Common.

NOTE: The part that has not PART NUMBER will not be supplied.

MODEL	Symbol No.	Parts No.	Description
	60	07-05523Z02	ASSY,RIV COVER MTR
	61	27-10064Z03	CHAS,PICK 8LS
	62	45-08633Z01	SLIDER,LOAD DP-U
	63	45-08634Z01	SLIDER,TIMING_LOAD
	64	41-05874Z02	SPRING,TIMING
	65	41-05867Z02	SPRING,DRIVE F
	66	41-05867Z13	SPRING,DRIVE RR-2
	67	41-05867Z04	SPRING,DRIVE RL
	68	45-08639Z01	ARM,LOCK R DP-U
	69	45-08637Z01	ARM,LOCK L DP-U
	70	45-10066Z06	SLIDER,LOCK L 8LS
	71	45-10067Z06	SLIDER,LOCK R 8LS
	72	41-05871Z02	SPRING,ARM CLAMP
	74	07-15192Z01	BKT,COVER SUN A
	75	07-15193Z01	BKT,COVER SUN B
	76	14-06145Z92	INS,CVR 12X3XT1
	HD1	EP-12502Z01	EP21A96T
	M1	66-09123Z07	ASSY,SPDL MTR AOTA
	M2	66-13908Z44	ASSY,LD-SLED MTR AOTA 8BV
	SW1	40T15494Y16	SW,DETCT SPVG1103-E6

Mark Model Code

#1 CDE-102 Only,

\$1 CDE-102E (General Foreign) Only,

%1 CDE-102E (Chinese) Only,

&1 CDE-102L Only,

Others:Common.

NOTE:The part that has not PART NUMBER will not be supplied.