

MODEL	MARK	MODEL	MARK	MODEL	MARK	MODEL	MARK
DNX7250DAB	E1	DNX7710BT	R1	DNX771HD	K1	DNX891HD	K0

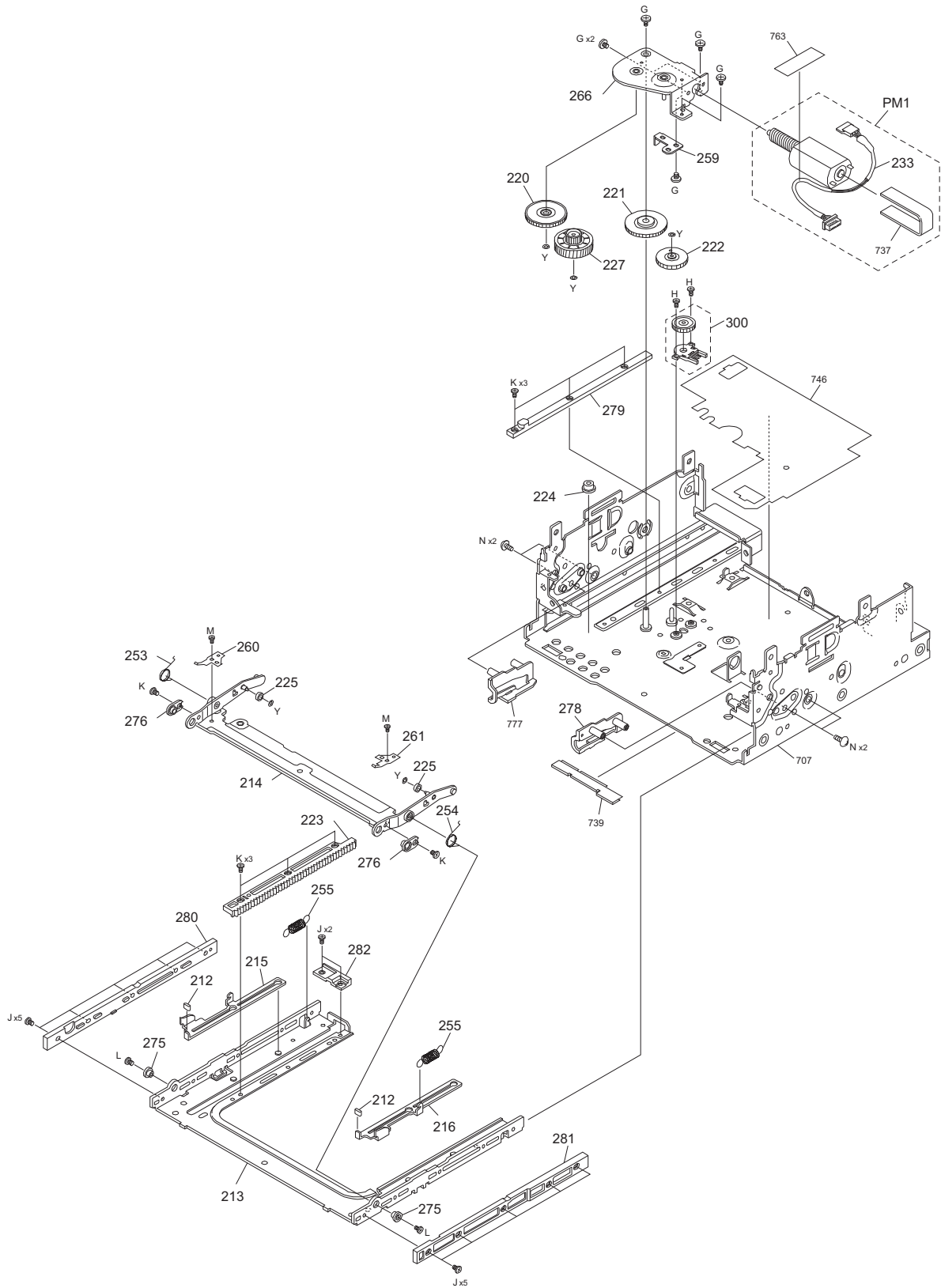
Safe	Symbol No.	Parts No.	Parts Name	Description	QTY	Local
EXPLODED VIEW (UNIT) <200>						
△	DC1	QAM1572-001	DC CORD		1	R1,K1,K0
△	DC2	QAM1354-001	DC CORD		1	E1
△	F1	QMFZ064-100-J1	FUSE	10A	1	
	FC1	WJT0353-001A-E	E-CARD WIRE		1	
	FC2	WJT0359-001A-E	E-CARD WIRE		1	
	FC3	WJT0354-001A-E	E-CARD WIRE		1	
	FC4	WJT0360-001A-E	E-CARD WIRE		1	
	FC6	WJT0350-001A-E	E-CARD WIRE		1	E1
	FPC1	QAL1552-001	FPC		1	
	FPC2	QAL1551-001	FPC		1	
	LCD1	QLD0737-001	LCD MODULE		1	
	PA1	LV11922-003A	FRONT PANEL		1	E1
	PA1	LV11922-002A	FRONT PANEL		1	R1
	PA1	LV11922-004A	FRONT PANEL		1	K1
	PA1	LV11922-001A	FRONT PANEL		1	K0
	PME1	A10-5582-11	CHASSIS ASSY		1	
	RC1	QAL1553-001	REMOTE CONTROL UNIT		1	R1,K0
	VME1	FD2-2C10NXN	DVD MECHA MODULE		1	
	A	LV45552-003A	SPECIAL SCREW		4	
	B	N09-6489-05	MACHINE SCREW		13	E1
	B	N09-6489-05	MACHINE SCREW		7	R1,K1,K0
	C	N09-6490-05	STEPPED SCREW		2	
	D	N09-6825-05	MACHINE SCREW		5	E1
	E	QYSDST2606ZA	TAP SCREW	M2.6 x 6mm	20	E1,R1,K1
	E	QYSDST2606ZA	TAP SCREW	M2.6 x 6mm	21	K0
	F	QYSDSP2004ZA	SCREW	M2 x 4mm	1	E1
	G	GE40377-002A	SCREW		10	
	H	QYSDSF2608ZA	TAP SCREW	M2.6 x 8mm	1	
	J	N09-6939-05	TAPTITE SCREW		4	
	K	QYSDSG3006ZA	TAP SCREW	M3 x 6mm	2	
	L	QYSDST3006MA	TAP SCREW	M3 x 6mm	1	
	M	QYSDST2610ZA	TAP SCREW	M2.6 x 10mm	2	
	N	QYSPSG3008ZA	TAP SCREW	M3 x 8mm	3	
	P	QYSPST2614ZA	TAP SCREW	M2.6 x 14mm	4	
	S	QYSDSP2003ZA	SCREW	M2 x 3mm	4	
	T	QYSDST2606MA	TAP SCREW	M2.6 x 6mm	5	
	U	LV45552-002A	SPECIAL SCREW		6	
	V	QYSDSF2006MA	TAP SCREW	M2 x 6mm	9	E1
	W	LV45942-001A	SPECIAL SCREW		1	E1
	Y	LV45701-004A	SPECIAL SCREW		4	R1,K1,K0
	Z	QYSDSF2005ZA	TAP SCREW	M2 x 5mm	2	R1,K1,K0
	203	CB-DNXSOC2KD	SOC2 PWB		1	E1,K1
	203	CB-DNXSOC1KD	SOC2 PWB		1	R1,K0
	204	CB-DNNSWKD	PANEL1 PWB		1	
	206	CB-DNNHDMIKD	HDMI PWB		1	
	217	LV45959-001A	CAP		1	E1,K1
	217	LV45959-001A	CAP		2	R1,K0
	218	QAM1599-001	CAR CABLE		1	E1
	218	QAM1603-001	CAR CABLE		1	R1,K0
	218	QAM1600-001	CAR CABLE		1	K1
	222	QAM1617-003	MEMORY CARD		1	E1
	222	QAM1620-003	MEMORY CARD		1	R1
	222	QAM1618-003	MEMORY CARD		1	K1
	222	QAM1616-003	MEMORY CARD		1	K0
	226	F07-2289-03	COVER		1	
	228	LV3A678-001A	SOLE CAP		1	
△	230	QAR0521-001	COOLING FAN		1	
	231	LV11945-003A	SUB PANEL ASSY		1	E1
	231	LV11945-002A	SUB PANEL ASSY		1	R1
	231	LV11945-005A	SUB PANEL ASSY		1	K1
	231	LV11945-004A	SUB PANEL ASSY		1	K0
	232	J90-1199-01	RAIL		1	
	233	J90-1200-01	RAIL		1	
	250	LV23097-003A	DRESS PANEL(L)		1	E1,K1
	250	LV23097-001A	DRESS PANEL(L)		1	R1,K0
	251	LV23099-002A	BUTTON(VOL)		1	E1,K1
	251	LV23099-001A	BUTTON(VOL)		1	R1,K0
	252	LV23100-004A	BTN(NAV/AV)		1	E1,K1
	252	LV23100-001A	BTN(NAV/AV)		1	R1,K0
	253	LV3A428-003A	DRESS PANEL(C)		1	E1,K1
	253	LV3A428-001A	DRESS PANEL(C)		1	R1,K0
	254	LV45999-001A	BADGE		1	
	255	LV23101-004A	BTN(MENU/AUD)		1	E1,K1
	255	LV23101-002A	BTN(MENU/AUD)		1	R1,K0
	256	LV23102-004A	BTN(HOME/MENU)		1	E1,K1
	256	LV23102-002A	BTN(HOME/MENU)		1	R1,K0
	257	LV23103-004A	BTN(BACK/TEL)		1	E1,K1
	257	LV23103-002A	BTN(BACK/TEL)		1	R1,K0
	258	LV3A430-002A	BUTTON(EJECT)		1	E1,K1
	258	LV3A430-001A	BUTTON(EJECT)		1	R1,K0
	259	LV23098-006A	DRESS PANEL(R)		1	E1,K1
	259	LV23098-004A	DRESS PANEL(R)		1	R1,K0
	260	B10-7055-03	FRONT GLASS		1	
	262	LV11923-001A	KNOB BASE(L)		1	
	263	LV11924-001A	KNOB BASE(R)		1	
	265	QAL1535-001	TOUCH PANEL		1	
	270	LV23156-001A	M.H ASSY		1	R1,K1,K0
	273	K24-5305-03	PUSH KNOB		1	
	278	LV11948-002A	REAR COVER		1	E1
	278	LV11920-002A	REAR COVER		1	R1,K1,K0
	288	LV45945-001A	TOR SPRING		1	E1
	289	K24-5072-03	PUSH KNOB		1	E1
	291	LV11949-001A	COVER		1	E1

MODEL	MARK	MODEL	MARK	MODEL	MARK	MODEL	MARK
DNX7250DAB	E1	DNX7710BT	R1	DNX771HD	K1	DNX891HD	K0

Safe	Symbol No.	Parts No.	Parts Name	Description	QTY	Local
294		LV23134-001A	M.H ASSY		1	E1
351		LV22876-001A	SLEEVE ASSY		1	
352		B07-3237-31	ESCUTCHEON		1	
354		QAL1550-001	ANTENNA		1	
355		LV45939-001A	GPS BRACKET		1	
356		QAN0137-001	MICROPHONE		1	
357		QAM1611-001	CAR CABLE		1	E1,K1
357		QAM1610-001	CAR CABLE		1	R1,K0
358		LV46002-001A	COMPACT DISC		1	E1
360		N34-5006-48	TR.HEAD M.SCREW		6	R1,K1,K0
361		N32-5007-48	MACHINE SCREW		6	R1,K1,K0
362		QYSDSP2008MA	SCREW	M2 x 8mm	1	E1
363		LV45516-001A	LEVER		2	
367		LV45104-001A	SOFT CASE		1	E1
368		LV45559-001A	W-FACED TAPE		1	K0
370		QAM1606-001	CAR CABLE		1	E1,K1
370		QAM1607-001	CAR CABLE		1	R1,K0
371		GE40101-001A	PIN CAP		5	E1,K1
371		GE40101-001A	PIN CAP		6	R1,K0
373		LV23141-001A	ESCUTCHEON		1	K0
501		LVT2548-001B	QSG	ENG	1	E1
501		LVT2547-001B	QSG	ENG SPA	1	R1,K1,K0
502		LVT2548-002B	QSG	FRE GER DUT	1	E1
502		LVT2547-002B	QSG	FRE	1	K1,K0
503		LVT2548-003B	QSG	SPA ITA	1	E1
503		LVT2547-003B	QSG	POR	1	R1

EXPLODED VIEW (PANEL MECHA ASSY: A10-5582-11)

Block No.100



Parts with the exploded numbers larger than 700 are not supplied.

MODEL	MARK	MODEL	MARK	MODEL	MARK	MODEL	MARK
DNX7250DAB	E1	DNX7710BT	R1	DNX771HD	K1	DNX891HD	K0

Safe	Symbol No.	Parts No.	Parts Name	Description	QTY	Local
------	------------	-----------	------------	-------------	-----	-------

EXPLODED VIEW (PANEL MECHA ASSY: A10-5582-11) <100>

PM1	T42-1368-04	MOTOR ASSY			1	
G	N09-6361-05	MACHINE SCREW	M2X2.5 #0		6	
H	N09-6363-05	MACHINE SCREW	M1.7X3.7		2	
J	N09-6375-05	MACHINE SCREW	M2X2.5 TYPE3 #0		12	
K	N09-6376-05	MACHINE SCREW	M2X3.5 TYPE3 #0		8	
L	N09-6377-05	MACHINE SCREW	M2X2.5TYPE1 #0		2	
M	N09-6378-05	TAPTITE SCREW	STITE 2X2 TYPE1 #0		2	
N	N09-6379-05	MACHINE SCREW	M2.6X4 BIND		4	
Y	N19-2321-04	FLAT WASHER			5	
212	B09-0541-04	CAP			2	
213	D10-4895-32	SLIDER ASSY			1	
214	D10-4897-13	ARM ASSY			1	
215	D10-4899-03	LEVER			1	
216	D10-4900-03	LEVER			1	
220	D13-2394-04	GEAR			1	
221	D13-2395-04	GEAR			1	
222	D13-2396-04	GEAR			1	
223	D13-2397-03	RACK (GEAR)			1	
224	D14-1010-04	ROLLER			1	
225	D14-1011-14	ROLLER			2	
227	D19-0653-23	CLUTCH ASSY			1	
233	E39-1174-05	WIRING HARNESS			1	
253	G01-3288-04	TORSION COIL			1	
		SPRING				
254	G01-3289-04	TORSION COIL			1	
		SPRING				
255	G01-3290-04	EXTENSION SPRING			2	
259	G02-1539-04	FLAT SPRING			1	
260	G02-1544-04	FLAT SPRING			1	
261	G02-1545-04	FLAT SPRING			1	
266	J22-0444-13	MOUNTING HARDWARE MOTOR BKT C ASSY			1	
		ASSY				
275	J31-1075-14	COLLAR	ARM COLLAR		2	
276	J31-1077-04	COLLAR	PANEL COLLAR		2	
278	J90-1126-13	GUIDE ASSY			1	
279	J90-1128-03	RAIL			1	
280	J90-1129-23	RAIL			1	
281	J90-1130-23	RAIL			1	
282	J90-1131-03	GUIDE			1	
300	R31-0248-05	VARIABLE RESISTOR	RDC504007A		1	

MODEL	MARK	MODEL	MARK	MODEL	MARK	MODEL	MARK
DNX7250DAB	E1	DNX7710BT	R1	DNX771HD	K1	DNX891HD	K0

Safe	Symbol No.	Parts No.	Parts Name	Description	QTY	Local
------	------------	-----------	------------	-------------	-----	-------

EXPLODED VIEW (DVD MECHANISM: FD2-2C10NXN) <150>

VM1	CM-FD2-ALM	LOADING M ASSY			1	
VT1	CM-FD2-ATM2	TM ASSY			1	
A	LV44959-002A	SPECIAL SCREW			16	
B	LV45727-001A	GEAR SCREW			2	
C	QYSPSPU1425MA	SCREW		M1.4 x 2.5mm	2	
D	VKZ4539-054	MINI SCREW			3	
F	LV44586-001A	SPECIAL SCREW			1	
4	LV45709-001A	CLAMP SPRING			1	
7	LV23006-002A	GUIDE 2 L			1	
8	LV23007-002A	GUIDE 2 R			1	
9	LV11842-003A	DISC GUIDE			1	
14	LV45704-001A	DAMPER SHAFT			4	
15	LV45724-001A	RUBBER ROLLER			2	
17	LV37652-002A	SHAFT GUIDE			1	
18	LV39938-001A	GEAR RETAINER			1	
19	LV45730-001A	ROLLER C WASHER			1	
20	CM-FD2-AROS	RO SHAFT ASSY			1	
21	LV45731-001A	ROLLER WASHER			1	
22	LV45718-001A	ROLLER RETAINER			1	
23	LV23003-001A	ROLLER HOLDER			1	
24	LV45713-001A	ROLLER SPRING R			1	
26	LV39932-002A	TRIGGER SLIDER			1	
27	LV45715-001A	TRIGGER SPRING			1	
28	LV23004-003A	SLIDER			1	
29	LV39935-002A	SLIDER SPRING			1	
31	LV39929-001A	DRIVE GEAR 4			1	
32	LV39928-001A	DRIVE GEAR 3			3	
33	LV39927-001A	DRIVE GEAR 2			1	
34	LV39926-001A	DRIVE GEAR 1			1	
35	LV23005-001A	GEAR HOLDER			1	
36	LV39923-002A	UD LEVER			1	
37	LV45712-003A	ROLLER SPRING L			1	
38	LV39934-001A	DAMPER			4	
39	LV45719-001A	PU FPC SHEET			1	

MODEL	MARK	MODEL	MARK	MODEL	MARK	MODEL	MARK
DNX7250DAB	E1	DNX7710BT	R1	DNX771HD	K1	DNX891HD	K0

Safe	Symbol No.	Parts No.	Parts Name	Description	QTY	Local
SYSCOM PWB ASSY (LVA11312-xxA) <SY>						
	IC11	R1270S001B-X	IC		1	
	IC31	AN33012UA-X	IC		1	
	IC81	TPS54240-X	ANALOG IC		1	
	IC82	TC7SZ125FUF	MOS IC		1	
	IC101	NJM2819ADL333-X	IC		1	
	IC102	XC6223B331PG-X	IC		1	
	IC103	XC6503D331PG-X	IC		1	
	IC104	NJM2819ADL333-X	IC		1	
	IC105	XC6503D501PG-X	IC		1	
	IC106	XC6213B502NG-X	IC		1	
	IC107	NJM2819ADL305X	IC		1	
	IC108	XC6213B502NG-X	IC		1	
	IC171	XC6223B331PG-X	IC		1	
	IC172	BA4560RF-X	IC		1	
	IC191	XC6213B332N-G	MOS IC		1	
	IC201	TPS2065CDBV-X	IC		1	
	IC202	NJM2819ADL352X	IC		1	
	IC203	XC6120N412NG-X	IC		1	
	IC211	AK4388AET-X	IC		1	
	IC501	W10-0885-08	IC(MCU)	PROGRAMED IC	1	
	IC502	XC6120N282NG-X	IC		1	
	IC535	TC7SH08FU-X	IC(DIGITAL)		1	K1,K0
	IC536	TC7SET08FU-J-X	IC(DIGITAL)		1	K1,K0
	IC541	TC7SH08FU-X	IC(DIGITAL)		1	
	IC565	TC7SH08FU-X	IC(DIGITAL)		1	
	IC566	TC7SH08FU-X	IC(DIGITAL)		1	E1
	IC567	TC7SZ125FUF	MOS IC		1	E1
	IC571	M24C08-RDW6-X	IC		1	
	IC701	TPS2065CDBV-X	IC		1	R1,K0
	IC702	NJM2819ADL352X	IC		1	
	IC703	XC6120N412NG-X	IC		1	
	IC704	TPS2065CDBV-X	IC		1	
	IC719	AK4388AET-X	IC		1	
	IC720	AK4388AET-X	IC		1	
	IC721	XC6209B502PG-X	IC		1	
	IC751	TC7SZ125FUF	MOS IC		1	R1,K0
	IC871	NJW1341VC3-W	IC		1	
	IC901	MM1503XN-X	IC		1	
	IC902	NJM2584AM-X	SV-ANALOGUE IC		1	
	IC921	NJG1143UA2-W	IC		1	
	IC922	XC6213B332N-G	MOS IC		1	
	IC923	NAU0020-001X	RF MODULE		1	
	Q5	LSAR523EBFS8	TRANSISTOR		1	
	Q6	LTC014YEBFS8	DIGI TRANSISTOR		1	
	Q7	LSAR523EBFS8	TRANSISTOR		1	
	Q8	RT1E040RP-W	MOS FET		1	
	Q11	SSM3K15AMFV-X	MOS FET		1	
	Q12	LTC014YEBFS8	DIGI TRANSISTOR		1	
	Q31	MTM98140-X	TRANSISTOR		1	
	Q51	MTM98140-X	TRANSISTOR		1	
	Q82	LTC014YEBFS8	DIGI TRANSISTOR		1	
	Q101	LTC014YEBFS8	DIGI TRANSISTOR		1	
	Q102	LTA014YEB-X	DIGI TRANSISTOR		1	
	Q121	LSCR523EBFS8	TRANSISTOR		1	
	Q122	LSAR523EBFS8	TRANSISTOR		1	
	Q123	LTA014TUB-X	DIGI TRANSISTOR		1	
	Q124	LSCR523EBFS8	TRANSISTOR		1	
	Q125	LSAR523EBFS8	TRANSISTOR		1	
	Q126	LTC014YEBFS8	DIGI TRANSISTOR		1	
	Q127	LTC014YEBFS8	DIGI TRANSISTOR		1	
	Q201	LTC014YEBFS8	DIGI TRANSISTOR		1	
	Q211	LTC043TUB-X	DIGI TRANSISTOR		1	
	Q212	LTC043TUB-X	DIGI TRANSISTOR		1	
	Q213	LTA043ZUB-X	DIGI TRANSISTOR		1	
	Q214	LTC014YEBFS8	DIGI TRANSISTOR		1	
	Q301	LTC014TUB-X	DIGI TRANSISTOR		1	R1,K0
	Q302	2SAR533D-X	TRANSISTOR		1	R1,K0
	Q303	LSCR523UBFS8	TRANSISTOR		1	R1,K0
	Q304	LSAR523UBFS8	TRANSISTOR		1	R1,K0
	Q305	LSCR523UBFS8	TRANSISTOR		1	R1,K0
	Q306	LSCR523UBFS8	TRANSISTOR		1	R1,K0
	Q321	LTA014YEB-X	DIGI TRANSISTOR		1	
	Q322	LSCR523UBFS8	TRANSISTOR		1	
	Q323	LSCR523UBFS8	TRANSISTOR		1	
	Q331	LTC024EUBFS8	DIGI TRANSISTOR		1	
	Q501	2SB1689-X	TRANSISTOR		1	
	Q502	LTC014YEBFS8	DIGI TRANSISTOR		1	
	Q503	LSAR523EBFS8	TRANSISTOR		1	
	Q504	LSAR523EBFS8	TRANSISTOR		1	
	Q505	LTC044EEBFS8	DIGI TRANSISTOR		1	
	Q506	LTC014YEBFS8	DIGI TRANSISTOR		1	
	Q507	LTC014YEBFS8	DIGI TRANSISTOR		1	
	Q541	LTC014TUB-X	DIGI TRANSISTOR		1	
	Q542	LTA014YEB-X	DIGI TRANSISTOR		1	
	Q543	LTA014YEB-X	DIGI TRANSISTOR		1	
	Q611	LTC043ZEBFS8	DIGI TRANSISTOR		1	
	Q751	LTC043TUB-X	DIGI TRANSISTOR		1	
	Q752	LTA014YEB-X	DIGI TRANSISTOR		1	
	Q753	LTC043TUB-X	DIGI TRANSISTOR		1	
	Q801	LSCR523UBFS8	TRANSISTOR		1	
	Q802	LSAR523UBFS8	TRANSISTOR		1	

MODEL	MARK	MODEL	MARK	MODEL	MARK	MODEL	MARK
DNX7250DAB	E1	DNX7710BT	R1	DNX771HD	K1	DNX891HD	K0

Safe	Symbol No.	Parts No.	Parts Name	Description	QTY	Local
	Q803	LSCR523UBFS8	TRANSISTOR		1	
	Q804	LSAR523UBFS8	TRANSISTOR		1	
	Q821	LSCR523UBFS8	TRANSISTOR		1	
	D1	GS1J-LTP-X	SI DIODE		1	
	D2	GS1J-LTP-X	SI DIODE		1	
	D12	RB080L-30-X	SB DIODE		1	
	D13	DA2J101	DIODE		1	
	D31	RB080L-30-X	SB DIODE		1	
	D51	RB080L-30-X	SB DIODE		1	
	D81	RB080L-30-X	SB DIODE		1	
	D101	GS1J-LTP-X	SI DIODE		1	
	D102	DA2J101	DIODE		1	
	D104	GS1J-LTP-X	SI DIODE		1	
	D105	GS1J-LTP-X	SI DIODE		1	
	D106	DA2J101	DIODE		1	
	D107	GS1J-LTP-X	SI DIODE		1	
	D108	DA2J101	DIODE		1	
	D154	MC2850-1	DIODE ARRAY		1	
	D171	GS1J-LTP-X	SI DIODE		1	
	D201	DA2J101	DIODE		1	
	D202	DA2J101	DIODE		1	
	D251	NAF0043-8R0X	VARIATOR(ZNR)		1	E1,K1,K0
	D252	NAF0043-8R0X	VARIATOR(ZNR)		1	E1,K1,K0
	D253	NAF0043-8R0X	VARIATOR(ZNR)		1	E1,K1,K0
	D260	DZ2J056M	Z DIODE		1	K1,K0
	D261	DZ2J056M	Z DIODE		1	K1,K0
	D301	GS1J-LTP-X	SI DIODE		1	R1,K0
	D302	GS1J-LTP-X	SI DIODE		1	R1,K0
	D321	DA2J101	DIODE		1	
	D332	DA2J101	DIODE		1	
	D410	NAF0044-270X	VARIATOR(ZNR)		1	
	D411	NAF0044-270X	VARIATOR(ZNR)		1	
	D412	NAF0044-270X	VARIATOR(ZNR)		1	
	D413	NAF0044-270X	VARIATOR(ZNR)		1	
	D414	NAF0044-270X	VARIATOR(ZNR)		1	
	D612	KLB-16B-RS	LED		1	
	D701	DA2J101	DIODE		1	
	D702	DA2J101	DIODE		1	
	D781	NAF0044-270X	VARIATOR(ZNR)		1	
	D782	NAF0043-8R0X	VARIATOR(ZNR)		1	
	D783	NAF0043-8R0X	VARIATOR(ZNR)		1	
	D784	NAF0044-270X	VARIATOR(ZNR)		1	
	D801	DA2J101	DIODE		1	
	D802	NAF0044-270X	VARIATOR(ZNR)		1	
	D823	NAF0044-270X	VARIATOR(ZNR)		1	
	D824	NAF0044-270X	VARIATOR(ZNR)		1	R1,K0
	D832	NAF0044-270X	VARIATOR(ZNR)		1	
	D835	NAF0044-270X	VARIATOR(ZNR)		1	
	D836	NAF0043-8R0X	VARIATOR(ZNR)		1	
	D837	NAF0043-8R0X	VARIATOR(ZNR)		1	
	D838	NAF0043-8R0X	VARIATOR(ZNR)		1	
	D852	NAF0043-8R0X	VARIATOR(ZNR)		1	
	D921	NAF0029-002X	ESD SUPPRESSOR		1	
	C1	NCB31HK-104X	C CAPACITOR	0.1uF 50V K	1	
	C2	NCB31HK-104X	C CAPACITOR	0.1uF 50V K	1	
	C4	CK73HBB1H222K	C CAPACITOR	2200pF 50V K	1	
	C6	CE32BM1E101M	E CAPACITOR	100uF 25V M	1	
	C7	CK73GBB1H103K	C CAPACITOR	0.01uF 50V K	1	
	C8	NCB31HK-104X	C CAPACITOR	0.1uF 50V K	1	
	C9	NCB31HK-104X	C CAPACITOR	0.1uF 50V K	1	
	C10	NCB31HK-104X	C CAPACITOR	0.1uF 50V K	1	
	C12	NCB31HK-104X	C CAPACITOR	0.1uF 50V K	1	
	C13	CK73HBB1E103K	C CAPACITOR	0.01uF 25V K	1	
	C14	CK73EXR1E106K	C CAPACITOR	10uF 25V K	1	
	C15	CK73EXR1E106K	C CAPACITOR	10uF 25V K	1	
	C16	NCB31HK-104X	C CAPACITOR	0.1uF 50V K	1	
	C17	CK73HBB1E103K	C CAPACITOR	0.01uF 25V K	1	
	C18	CK73HBB1E103K	C CAPACITOR	0.01uF 25V K	1	
	C19	CC73HCH1H221J	C CAPACITOR	220pF 50V J	1	
	C20	CK73FBB1E474K	C CAPACITOR	0.47uF 25V K	1	
	C21	CC73HCH1H471J	C CAPACITOR	470pF 50V J	1	
	C22	CK73HBB1E103K	C CAPACITOR	0.01uF 25V K	1	
	C23	CK73HBB1A104K	C CAPACITOR	0.1uF 10V K	1	
	C24	NCJ20JM-226X-A	C CAPACITOR	22uF 6.3V M	1	
	C25	NCJ20JM-226X-A	C CAPACITOR	22uF 6.3V M	1	
	C27	CC73HCH1H471J	C CAPACITOR	470pF 50V J	1	
	C31	NCB31HK-104X	C CAPACITOR	0.1uF 50V K	1	
	C32	CK73HBB1E103K	C CAPACITOR	0.01uF 25V K	1	
	C33	CK73EXR1E106K	C CAPACITOR	10uF 25V K	1	
	C34	CK73EXR1E106K	C CAPACITOR	10uF 25V K	1	
	C35	NCB31HK-104X	C CAPACITOR	0.1uF 50V K	1	
	C36	CK73HBB1E103K	C CAPACITOR	0.01uF 25V K	1	
	C39	CK73HBB1H332K	C CAPACITOR	3300pF 50V K	1	
	C40	CK73HBB1E103K	C CAPACITOR	0.01uF 25V K	1	
	C41	CK73HBB1A104K	C CAPACITOR	0.1uF 10V K	1	
	C42	NCJ21CK-106X-R	C CAPACITOR	10uF 16V K	1	
	C43	CE32BM1A151M	E CAPACITOR	150uF 10V M	1	
	C44	CK73HBB1H332K	C CAPACITOR	3300pF 50V K	1	
	C45	CC73HCH1H181J	C CAPACITOR	180pF 50V J	1	
	C46	NCBA1HK-682W	C CAPACITOR	6800pF 50V K	1	
	C51	NCB31HK-104X	C CAPACITOR	0.1uF 50V K	1	
	C52	CK73HBB1E103K	C CAPACITOR	0.01uF 25V K	1	

MODEL	MARK	MODEL	MARK	MODEL	MARK	MODEL	MARK
DNX7250DAB	E1	DNX7710BT	R1	DNX771HD	K1	DNX891HD	K0

Safe	Symbol No.	Parts No.	Parts Name	Description	QTY	Local
C53		CK73EXR1E106K	C CAPACITOR	10uF 25V K	1	
C54		CK73EXR1E106K	C CAPACITOR	10uF 25V K	1	
C55		NCB31HK-104X	C CAPACITOR	0.1uF 50V K	1	
C56		CK73HBB1E103K	C CAPACITOR	0.01uF 25V K	1	
C59		CK73HBB1H332K	C CAPACITOR	3300pF 50V K	1	
C60		CK73HBB1E103K	C CAPACITOR	0.01uF 25V K	1	
C61		CK73HBB1A104K	C CAPACITOR	0.1uF 10V K	1	
C62		NCJ20JM-226X-A	C CAPACITOR	22uF 6.3V M	1	
C63		CE32BM0J221M	E CAPACITOR	220uF 6.3V M	1	
C64		CK73HBB1H332K	C CAPACITOR	3300pF 50V K	1	
C65		CC73HCH1H181J	C CAPACITOR	180pF 50V J	1	
C66		NCBA1HK-682W	C CAPACITOR	6800pF 50V K	1	
C67		CC73GCH1H050C	C CAPACITOR	5pF 50V C	1	
C68		CC73GCH1H050C	C CAPACITOR	5pF 50V C	1	
C69		CC73GCH1H050C	C CAPACITOR	5pF 50V C	1	
C71		CK73FXR1E475K	C CAPACITOR	4.7uF 25V K	1	
C72		NCB31HK-104X	C CAPACITOR	0.1uF 50V K	1	
C73		CK73HBB1C473K	C CAPACITOR	0.047uF 16V K	1	
C74		CK73HBB1A104K	C CAPACITOR	0.1uF 10V K	1	
C75		CC73HCH1H470J	C CAPACITOR	47pF 50V J	1	
C76		CK73HBB1A104K	C CAPACITOR	0.1uF 10V K	1	
C77		NCB31AK-105X	C CAPACITOR	1uF 10V K	1	
C78		CK73HBB1C473K	C CAPACITOR	0.047uF 16V K	1	
C81		NCB31HK-104X	C CAPACITOR	0.1uF 50V K	1	
C82		CK73HBB1E103K	C CAPACITOR	0.01uF 25V K	1	
C83		CK73EXR1E106K	C CAPACITOR	10uF 25V K	1	
C84		CK73EXR1E106K	C CAPACITOR	10uF 25V K	1	
C85		NCB31HK-104X	C CAPACITOR	0.1uF 50V K	1	
C86		CK73HBB1E103K	C CAPACITOR	0.01uF 25V K	1	
C87		NCB31HK-104X	C CAPACITOR	0.1uF 50V K	1	
C88		CK73HBB1E103K	C CAPACITOR	0.01uF 25V K	1	
C90		CK73HBB1H332K	C CAPACITOR	3300pF 50V K	1	
C91		CK73HBB1H332K	C CAPACITOR	3300pF 50V K	1	
C92		CK73HBB1E103K	C CAPACITOR	0.01uF 25V K	1	
C93		CK73HBB1A104K	C CAPACITOR	0.1uF 10V K	1	
C94		CK73EXR0J476M	C CAPACITOR	47uF 6.3V M	1	
C95		CK73EXR0J476M	C CAPACITOR	47uF 6.3V M	1	
C97		CK73HBB1A104K	C CAPACITOR	0.1uF 10V K	1	
C101		NCB21AK-475X	C CAPACITOR	4.7uF 10V K	1	
C102		CK73GXR0J475K	C CAPACITOR	4.7uF 6.3V K	1	
C103		NCB31AK-105X	C CAPACITOR	1uF 10V K	1	
C104		CK73HXR0J105K	C CAPACITOR	1uF 6.3V K	1	
C105		NCB31AK-105X	C CAPACITOR	1uF 10V K	1	
C106		CK73HXR0J105K	C CAPACITOR	1uF 6.3V K	1	
C107		NCB21AK-475X	C CAPACITOR	4.7uF 10V K	1	
C108		CK73GXR0J475K	C CAPACITOR	4.7uF 6.3V K	1	
C109		NCB31AK-105X	C CAPACITOR	1uF 10V K	1	
C110		NCB31AK-105X	C CAPACITOR	1uF 10V K	1	
C111		NCB31AK-105X	C CAPACITOR	1uF 10V K	1	
C112		NCB31AK-105X	C CAPACITOR	1uF 10V K	1	
C113		NCJ21CK-106X-R	C CAPACITOR	10uF 16V K	1	
C115		NCJ21CK-106X-R	C CAPACITOR	10uF 16V K	1	
C116		NCJ20JM-226X-A	C CAPACITOR	22uF 6.3V M	1	
C117		NCB31AK-105X	C CAPACITOR	1uF 10V K	1	
C118		NCB31AK-105X	C CAPACITOR	1uF 10V K	1	
C171		NCB31AK-105X	C CAPACITOR	1uF 10V K	1	
C172		CK73HXR0J105K	C CAPACITOR	1uF 6.3V K	1	
C173		CK73GXR0J106M	C CAPACITOR	10uF 6.3V M	1	
C174		CK73HBB1A104K	C CAPACITOR	0.1uF 10V K	1	
C175		CK73HXR0J105K	C CAPACITOR	1uF 6.3V K	1	
C176		CK73HXR0J105K	C CAPACITOR	1uF 6.3V K	1	
C177		NCB31AK-105X	C CAPACITOR	1uF 10V K	1	
C178		NCB31AK-105X	C CAPACITOR	1uF 10V K	1	
C179		NCB31AK-105X	C CAPACITOR	1uF 10V K	1	
C180		NCB31AK-105X	C CAPACITOR	1uF 10V K	1	
C181		CC73HCH1H470J	C CAPACITOR	47pF 50V J	1	
C182		CC73HCH1H470J	C CAPACITOR	47pF 50V J	1	
C185		CK73HBB1A104K	C CAPACITOR	0.1uF 10V K	1	
C186		CC73HCH1H470J	C CAPACITOR	47pF 50V J	1	
C187		CC73HCH1H470J	C CAPACITOR	47pF 50V J	1	
C188		NCJ21CK-106X-R	C CAPACITOR	10uF 16V K	1	
C190		CK73HXR0J105K	C CAPACITOR	1uF 6.3V K	1	
C191		NCB31AK-105X	C CAPACITOR	1uF 10V K	1	
C201		CK73HBB1A104K	C CAPACITOR	0.1uF 10V K	1	
C202		CK73HBB1A104K	C CAPACITOR	0.1uF 10V K	1	
C203		NCJ21CK-106X-R	C CAPACITOR	10uF 16V K	1	
C204		NCJ21CK-106X-R	C CAPACITOR	10uF 16V K	1	
C205		CK73HBB1A104K	C CAPACITOR	0.1uF 10V K	1	
C206		CK73HBB1E103K	C CAPACITOR	0.01uF 25V K	1	
C207		CK73HBB1E103K	C CAPACITOR	0.01uF 25V K	1	
C208		CK73HBB1E103K	C CAPACITOR	0.01uF 25V K	1	
C209		CK73HBB1E103K	C CAPACITOR	0.01uF 25V K	1	
C210		CK73HBB1E103K	C CAPACITOR	0.01uF 25V K	1	
C211		CK73GXR0J475K	C CAPACITOR	4.7uF 6.3V K	1	
C212		CK73GXR0J475K	C CAPACITOR	4.7uF 6.3V K	1	
C213		CK73HBB1H222K	C CAPACITOR	2200pF 50V K	1	
C214		CK73HBB1H222K	C CAPACITOR	2200pF 50V K	1	
C215		CK73HBB1H222K	C CAPACITOR	2200pF 50V K	1	
C216		CK73HBB1H222K	C CAPACITOR	2200pF 50V K	1	
C217		CK73HBB1A104K	C CAPACITOR	0.1uF 10V K	1	
C218		CK73GXR0J106M	C CAPACITOR	10uF 6.3V M	1	
C219		CK73GXR0J106M	C CAPACITOR	10uF 6.3V M	1	
C231		CK73EXR0J476M	C CAPACITOR	47uF 6.3V M	1	

MODEL	MARK	MODEL	MARK	MODEL	MARK	MODEL	MARK
DNX7250DAB	E1	DNX7710BT	R1	DNX771HD	K1	DNX891HD	K0

Safe	Symbol No.	Parts No.	Parts Name	Description	QTY	Local
	C232	CK73HBB1A104K	C CAPACITOR	0.1uF 10V K	1	
	C233	CK73GXR0J106M	C CAPACITOR	10uF 6.3V M	1	
	C251	NCB31AK-105X	C CAPACITOR	1uF 10V K	1	K1,K0
	C252	NCB31AK-105X	C CAPACITOR	1uF 10V K	1	K1,K0
	C253	NCB31AK-105X	C CAPACITOR	1uF 10V K	1	K1,K0
	C254	CK73GBB1H103K	C CAPACITOR	0.01uF 50V K	1	K1,K0
	C255	CK73HBB1H102K	C CAPACITOR	1000pF 50V K	1	E1
	C301	CK73GBB1H473K	C CAPACITOR	0.047uF 50V K	1	R1,K0
	C302	CK73GXR1E105K	C CAPACITOR	1uF 25V K	1	R1,K0
	C321	NCB30JK-225X	C CAPACITOR	2.2uF 6.3V K	1	
	C331	CK73HBB1E103K	C CAPACITOR	0.01uF 25V K	1	
	C401	CE32CC1E470M	E CAPACITOR	47uF 25V M	1	
	C402	CK73EXR1E106K	C CAPACITOR	10uF 25V K	1	
	C404	CC73HCH1H471J	C CAPACITOR	470pF 50V J	1	
	C405	NCJA1EK-104W-G	C CAPACITOR	0.1uF 25V K	1	
	C406	CK73HBB1E103K	C CAPACITOR	0.01uF 25V K	1	
	C411	CK73HBB1A104K	C CAPACITOR	0.1uF 10V K	1	
	C412	CK73HBB1E103K	C CAPACITOR	0.01uF 25V K	1	
	C413	CK73HBB1E103K	C CAPACITOR	0.01uF 25V K	1	
	C414	NCB31AK-105X	C CAPACITOR	1uF 10V K	1	
	C415	CC73HCH1H470J	C CAPACITOR	47pF 50V J	1	
	C418	NCJ21CK-106X-R	C CAPACITOR	10uF 16V K	1	
	C421	CK73HBB1E103K	C CAPACITOR	0.01uF 25V K	1	E1
	C422	CK73HBB1E103K	C CAPACITOR	0.01uF 25V K	1	E1
	C501	NEZ0065-227X	E CAPACITOR	220uF	1	
	C502	NEZ0065-227X	E CAPACITOR	220uF	1	
	C503	CK73GXR0J106M	C CAPACITOR	10uF 6.3V M	1	
	C504	CK73HBB1H222K	C CAPACITOR	2200pF 50V K	1	
	C505	CK73HXR0J105K	C CAPACITOR	1uF 6.3V K	1	
	C506	CK73HXR0J105K	C CAPACITOR	1uF 6.3V K	1	
	C507	CC73HCH1H220J	C CAPACITOR	22pF 50V J	1	
	C508	CC73HCH1H220J	C CAPACITOR	22pF 50V J	1	
	C509	CC73HCH1H180J	C CAPACITOR	18pF 50V J	1	
	C510	CC73HCH1H060D	C CAPACITOR	6pF 50V D	1	
	C511	CK73HBB1A104K	C CAPACITOR	0.1uF 10V K	1	
	C512	CK73HBB1A104K	C CAPACITOR	0.1uF 10V K	1	
	C513	CK73HXR0J105K	C CAPACITOR	1uF 6.3V K	1	
	C514	CK73HBB1A104K	C CAPACITOR	0.1uF 10V K	1	
	C515	CK73HBB1A104K	C CAPACITOR	0.1uF 10V K	1	
	C516	CK73HBB1A104K	C CAPACITOR	0.1uF 10V K	1	
	C517	CK73HBB1A104K	C CAPACITOR	0.1uF 10V K	1	
	C535	CK73HBB1E103K	C CAPACITOR	0.01uF 25V K	1	K1,K0
	C536	CK73HBB1E103K	C CAPACITOR	0.01uF 25V K	1	K1,K0
	C541	CK73HBB1E103K	C CAPACITOR	0.01uF 25V K	1	
	C565	CK73HBB1E103K	C CAPACITOR	0.01uF 25V K	1	
	C566	CK73HBB1E103K	C CAPACITOR	0.01uF 25V K	1	E1
	C567	CK73HBB1E103K	C CAPACITOR	0.01uF 25V K	1	E1
	C571	CK73HBB1E103K	C CAPACITOR	0.01uF 25V K	1	
	C572	CK73HBB1A104K	C CAPACITOR	0.1uF 10V K	1	
	C573	CK73HBB1E103K	C CAPACITOR	0.01uF 25V K	1	
	C574	CK73HBB1E103K	C CAPACITOR	0.01uF 25V K	1	
	C611	CK73HBB1E103K	C CAPACITOR	0.01uF 25V K	1	
	C612	CK73HBB1E103K	C CAPACITOR	0.01uF 25V K	1	
	C613	CK73HBB1E103K	C CAPACITOR	0.01uF 25V K	1	
	C614	CK73HBB1E103K	C CAPACITOR	0.01uF 25V K	1	
	C615	CK73HBB1E103K	C CAPACITOR	0.01uF 25V K	1	
	C701	CK73HBB1E103K	C CAPACITOR	0.01uF 25V K	1	
	C702	CK73HBB1A104K	C CAPACITOR	0.1uF 10V K	1	
	C703	CK73HBB1A104K	C CAPACITOR	0.1uF 10V K	1	
	C704	CK73HBB1A104K	C CAPACITOR	0.1uF 10V K	1	
	C705	CK73HBB1A104K	C CAPACITOR	0.1uF 10V K	1	
	C706	CK73GXR0J106M	C CAPACITOR	10uF 6.3V M	1	
	C709	NEZ0065-227X	E CAPACITOR	220uF	1	R1,K0
	C710	NCJ21CK-106X-R	C CAPACITOR	10uF 16V K	1	R1,K0
	C711	NEZ0065-227X	E CAPACITOR	220uF	1	
	C712	NCJ21CK-106X-R	C CAPACITOR	10uF 16V K	1	
	C713	CK73HBB1A104K	C CAPACITOR	0.1uF 10V K	1	
	C714	NCJ21CK-106X-R	C CAPACITOR	10uF 16V K	1	
	C715	CK73HBB1A104K	C CAPACITOR	0.1uF 10V K	1	
	C716	CK73HBB1A104K	C CAPACITOR	0.1uF 10V K	1	
	C719	CK73HBB1E103K	C CAPACITOR	0.01uF 25V K	1	
	C720	CK73HBB1A104K	C CAPACITOR	0.1uF 10V K	1	
	C722	CK73HBB1A104K	C CAPACITOR	0.1uF 10V K	1	
	C723	CK73GXR0J106M	C CAPACITOR	10uF 6.3V M	1	
	C725	CK73HBB1H102K	C CAPACITOR	1000pF 50V K	1	
	C726	CK73HBB1A104K	C CAPACITOR	0.1uF 10V K	1	
	C727	CK73HBB1A104K	C CAPACITOR	0.1uF 10V K	1	
	C728	CK73GXR0J106M	C CAPACITOR	10uF 6.3V M	1	
	C729	CK73GXR0J106M	C CAPACITOR	10uF 6.3V M	1	
	C730	CK73GXR0J106M	C CAPACITOR	10uF 6.3V M	1	
	C731	CK73GXR0J106M	C CAPACITOR	10uF 6.3V M	1	
	C732	NCB31AK-105X	C CAPACITOR	1uF 10V K	1	
	C733	CK73HBB1C473K	C CAPACITOR	0.047uF 16V K	1	
	C734	CK73HBB1H222K	C CAPACITOR	2200pF 50V K	1	
	C735	CK73HBB1H222K	C CAPACITOR	2200pF 50V K	1	
	C736	CK73HBB1H222K	C CAPACITOR	2200pF 50V K	1	
	C737	CK73HBB1H222K	C CAPACITOR	2200pF 50V K	1	
	C738	CK73HBB1A104K	C CAPACITOR	0.1uF 10V K	1	
	C751	CK73GXR0J106M	C CAPACITOR	10uF 6.3V M	1	
	C752	CK73HBB1E103K	C CAPACITOR	0.01uF 25V K	1	
	C753	CC73HCH1H102J	C CAPACITOR	1000pF 50V J	1	
	C754	CE32CA1C100M	E CAPACITOR	10uF 16V M	1	

MODEL	MARK	MODEL	MARK	MODEL	MARK	MODEL	MARK
DNX7250DAB	E1	DNX7710BT	R1	DNX771HD	K1	DNX891HD	K0

Safe	Symbol No.	Parts No.	Parts Name	Description	QTY	Local
	C755	CK73HBB1E103K	C CAPACITOR	0.01uF 25V K	1	
	C756	CE32CA1C100M	E CAPACITOR	10uF 16V M	1	
	C758	CK73GXR0J106M	C CAPACITOR	10uF 6.3V M	1	
	C759	CK73HBB1A104K	C CAPACITOR	0.1uF 10V K	1	R1,K0
	C760	CC73HCH1H470J	C CAPACITOR	47pF 50V J	1	R1,K0
	C761	CK73HBB1A104K	C CAPACITOR	0.1uF 10V K	1	
	C762	CK73HBB1E103K	C CAPACITOR	0.01uF 25V K	1	
	C763	CE32CA1C101M	E CAPACITOR	100uF 16V M	1	
	C764	CK73HBB1A104K	C CAPACITOR	0.1uF 10V K	1	R1,K0
	C765	NCJ20JM-226X-A	C CAPACITOR	22uF 6.3V M	1	
	C785	CK73HBB1H102K	C CAPACITOR	1000pF 50V K	1	
	C786	CK73HBB1H102K	C CAPACITOR	1000pF 50V K	1	
	C801	CC73HCH1H101J	C CAPACITOR	100pF 50V J	1	
	C821	CK73GXR0J106M	C CAPACITOR	10uF 6.3V M	1	
	C831	CK73HBB1E103K	C CAPACITOR	0.01uF 25V K	1	
	C832	NCJ20JM-226X-A	C CAPACITOR	22uF 6.3V M	1	
	C833	CK73GBB1C224K	C CAPACITOR	0.22uF 16V K	1	
	C834	CK73HBB1A104K	C CAPACITOR	0.1uF 10V K	1	
	C835	CC73HCH1H070D	C CAPACITOR	7pF 50V D	1	
	C877	NCJ20JM-226X-A	C CAPACITOR	22uF 6.3V M	1	
	C879	CK73HXR0J105K	C CAPACITOR	1uF 6.3V K	1	
	C880	CK73HXR0J105K	C CAPACITOR	1uF 6.3V K	1	
	C881	CK73HXR0J105K	C CAPACITOR	1uF 6.3V K	1	
	C882	CK73HXR0J105K	C CAPACITOR	1uF 6.3V K	1	
	C884	CK73HXR0J105K	C CAPACITOR	1uF 6.3V K	1	
	C885	CK73HXR0J105K	C CAPACITOR	1uF 6.3V K	1	R1,K0
	C886	CK73HXR0J105K	C CAPACITOR	1uF 6.3V K	1	
	C887	CK73HXR0J105K	C CAPACITOR	1uF 6.3V K	1	
	C888	CK73HXR0J105K	C CAPACITOR	1uF 6.3V K	1	
	C889	CK73HXR0J105K	C CAPACITOR	1uF 6.3V K	1	E1,K1
	C890	CK73HBB1A104K	C CAPACITOR	0.1uF 10V K	1	
	C891	CK73HXR0J105K	C CAPACITOR	1uF 6.3V K	1	
	C892	CE32BJ1C470M	E CAPACITOR	47uF 16V M	1	
	C893	CK73HBB1A104K	C CAPACITOR	0.1uF 10V K	1	
	C895	CK73HXR0J105K	C CAPACITOR	1uF 6.3V K	1	
	C901	CK73HXR0J105K	C CAPACITOR	1uF 6.3V K	1	
	C902	CK73HXR0J105K	C CAPACITOR	1uF 6.3V K	1	
	C903	CK73HXR0J105K	C CAPACITOR	1uF 6.3V K	1	
	C904	CK73HXR0J105K	C CAPACITOR	1uF 6.3V K	1	
	C905	CK73HBB1A104K	C CAPACITOR	0.1uF 10V K	1	
	C906	CK73GXR0J106M	C CAPACITOR	10uF 6.3V M	1	
	C907	CK73HXR0J105K	C CAPACITOR	1uF 6.3V K	1	
	C908	CK73HXR0J105K	C CAPACITOR	1uF 6.3V K	1	
	C909	CK73HXR0J105K	C CAPACITOR	1uF 6.3V K	1	
	C910	CK73HXR0J105K	C CAPACITOR	1uF 6.3V K	1	
	C912	CK73GXR0J106M	C CAPACITOR	10uF 6.3V M	1	
	C913	CK73HBB1A104K	C CAPACITOR	0.1uF 10V K	1	
	C923	CC73HCH1H470J	C CAPACITOR	47pF 50V J	1	
	C924	NDCA1HG-2R7W	C CAPACITOR	2.7pF 50V G	1	
	C925	CK73HXR0J105K	C CAPACITOR	1uF 6.3V K	1	
	C926	NCB31AK-105X	C CAPACITOR	1uF 10V K	1	
	C927	CK73HXR0J105K	C CAPACITOR	1uF 6.3V K	1	
	C928	CK73HBB1E103K	C CAPACITOR	0.01uF 25V K	1	
	C929	CC73HCH1H102J	C CAPACITOR	1000pF 50V J	1	
	C930	CC73HCH1H100D	C CAPACITOR	10pF 50V D	1	
	C931	NCB30JK-225X	C CAPACITOR	2.2uF 6.3V K	1	
	C932	CK73HXR0J105K	C CAPACITOR	1uF 6.3V K	1	
	C933	CK73HXR0J105K	C CAPACITOR	1uF 6.3V K	1	
	C934	CK73HXR0J105K	C CAPACITOR	1uF 6.3V K	1	
	C935	CK73HBB1H102K	C CAPACITOR	1000pF 50V K	1	
	C936	CC73HCH1H070D	C CAPACITOR	7pF 50V D	1	
	C937	CC73HCH1H070D	C CAPACITOR	7pF 50V D	1	
	C939	CC73HCH1H020C	C CAPACITOR	2pF 50V C	1	
	C940	CK73HXR0J105K	C CAPACITOR	1uF 6.3V K	1	
	R6	RK73HB1J823J	MG RESISTOR	82kΩ 1/16W J	1	
	R7	RK73HB1J103J	MG RESISTOR	10kΩ 1/16W J	1	
	R8	RK73HB1J224J	MG RESISTOR	220kΩ 1/16W J	1	
	R9	RK73HB1J333J	MG RESISTOR	33kΩ 1/16W J	1	
	R10	RK73HB1J274J	MG RESISTOR	270kΩ 1/16W J	1	
	R11	RK73GB2A000J	MG RESISTOR	0Ω 1/10W J	1	
	R12	RK73HB1J434J	MG RESISTOR	430kΩ 1/16W J	1	
	R13	RK73HH1J164D	MG RESISTOR	160kΩ 1/16W D	1	
	R14	RK73HB1J000J	MG RESISTOR	0Ω 1/16W J	1	
	R15	RK73HH1J164D	MG RESISTOR	160kΩ 1/16W D	1	
	R16	RK73HH1J624D	MG RESISTOR	620kΩ 1/16W D	1	
	R17	RK73HB1J474J	MG RESISTOR	470kΩ 1/16W J	1	
	R18	RK73HB1J000J	MG RESISTOR	0Ω 1/16W J	1	
	R19	RK73HB1J392J	MG RESISTOR	3.9kΩ 1/16W J	1	
	R20	RK73HB1J103J	MG RESISTOR	10kΩ 1/16W J	1	
	R21	RK73HB1J000J	MG RESISTOR	0Ω 1/16W J	1	
	R22	RK73HB1J000J	MG RESISTOR	0Ω 1/16W J	1	
	R23	RK73HB1J470J	MG RESISTOR	47Ω 1/16W J	1	
	R24	RK73HB1J474J	MG RESISTOR	470kΩ 1/16W J	1	
	R25	RK73HB1J224J	MG RESISTOR	220kΩ 1/16W J	1	
	R31	NRZ0126-R033X	MG RESISTOR	0.033Ω	1	
	R32	NRZ0126-R033X	MG RESISTOR	0.033Ω	1	
	R33	NRZ0126-R033X	MG RESISTOR	0.033Ω	1	
	R34	NRZ0126-R033X	MG RESISTOR	0.033Ω	1	
	R35	RK73HB1J000J	MG RESISTOR	0Ω 1/16W J	1	
	R36	RK73PB2H160J	MG RESISTOR	16Ω 1/2W J	1	
	R37	RK73HH1J303D	MG RESISTOR	30kΩ 1/16W D	1	
	R38	RK73HB1J103J	MG RESISTOR	10kΩ 1/16W J	1	

MODEL	MARK	MODEL	MARK	MODEL	MARK	MODEL	MARK
DNX7250DAB	E1	DNX7710BT	R1	DNX771HD	K1	DNX891HD	K0

Safe	Symbol No.	Parts No.	Parts Name	Description	QTY	Local
R39		RK73HH1J562D	MG RESISTOR	5.6kΩ 1/16W D	1	
R40		RK73HH1J621D	MG RESISTOR	620Ω 1/16W D	1	
R41		RK73HB1J332J	MG RESISTOR	3.3kΩ 1/16W J	1	
R51		NRZ0126-R033X	MG RESISTOR	0.033Ω	1	
R52		NRZ0126-R033X	MG RESISTOR	0.033Ω	1	
R53		NRZ0126-R033X	MG RESISTOR	0.033Ω	1	
R54		NRZ0126-R033X	MG RESISTOR	0.033Ω	1	
R55		RK73HB1J000J	MG RESISTOR	0Ω 1/16W J	1	
R56		RK73PB2H160J	MG RESISTOR	16Ω 1/2W J	1	
R57		RK73HH1J303D	MG RESISTOR	30kΩ 1/16W D	1	
R58		RK73HB1J103J	MG RESISTOR	10kΩ 1/16W J	1	
R59		RK73HH1J682D	MG RESISTOR	6.8kΩ 1/16W D	1	
R60		RK73HH1J511D	MG RESISTOR	510Ω 1/16W D	1	
R61		RK73HB1J332J	MG RESISTOR	3.3kΩ 1/16W J	1	
R62		RK73HB1J100J	MG RESISTOR	10Ω 1/16W J	1	
R71		RK73GB2A2R2J	MG RESISTOR	2.2Ω 1/10W J	1	
R72		RK73HH1J164D	MG RESISTOR	160kΩ 1/16W D	1	
R73		RK73HH1J273D	MG RESISTOR	27kΩ 1/16W D	1	
R74		RK73HB1J000J	MG RESISTOR	0Ω 1/16W J	1	
R75		RK73HB1J000J	MG RESISTOR	0Ω 1/16W J	1	
R76		RK73HB1J000J	MG RESISTOR	0Ω 1/16W J	1	
R77		RK73HB1J000J	MG RESISTOR	0Ω 1/16W J	1	
R81		RK73HB1J274J	MG RESISTOR	270kΩ 1/16W J	1	
R82		RK73HB1J113J	MG RESISTOR	11kΩ 1/16W J	1	
R83		RK73HB1J163J	MG RESISTOR	16kΩ 1/16W J	1	
R84		RK73PB2H160J	MG RESISTOR	16Ω 1/2W J	1	
R85		RK73HH1J333D	MG RESISTOR	33kΩ 1/16W D	1	
R86		RK73HH1J473D	MG RESISTOR	47kΩ 1/16W D	1	
R87		RK73HH1J751D	MG RESISTOR	750Ω 1/16W D	1	
R88		RK73HB1J000J	MG RESISTOR	0Ω 1/16W J	1	
R89		RK73GB2A101J	MG RESISTOR	100Ω 1/10W J	1	
R90		RK73HB1J223J	MG RESISTOR	22kΩ 1/16W J	1	
R92		RK73HB1J101J	MG RESISTOR	100Ω 1/16W J	1	
R93		RK73HB1J000J	MG RESISTOR	0Ω 1/16W J	1	
R101		RK73GB2A000J	MG RESISTOR	0Ω 1/10W J	1	R1,K0
R102		RK73GB2A000J	MG RESISTOR	0Ω 1/10W J	1	
R103		RK73GB2A000J	MG RESISTOR	0Ω 1/10W J	1	
R104		RK73GB2A000J	MG RESISTOR	0Ω 1/10W J	1	
R106		RK73GB2A000J	MG RESISTOR	0Ω 1/10W J	1	
R107		RK73GB2A000J	MG RESISTOR	0Ω 1/10W J	1	
R108		RK73GB2A000J	MG RESISTOR	0Ω 1/10W J	1	
R109		RK73GB2A000J	MG RESISTOR	0Ω 1/10W J	1	
R110		RK73GB2A000J	MG RESISTOR	0Ω 1/10W J	1	
R111		RK73GB2A000J	MG RESISTOR	0Ω 1/10W J	1	
R112		RK73GB2A000J	MG RESISTOR	0Ω 1/10W J	1	
R113		RK73GB2A000J	MG RESISTOR	0Ω 1/10W J	1	
R114		RK73GB2A000J	MG RESISTOR	0Ω 1/10W J	1	
R115		RK73GB2A000J	MG RESISTOR	0Ω 1/10W J	1	
R116		RK73GB2A000J	MG RESISTOR	0Ω 1/10W J	1	
R117		RK73GB2A000J	MG RESISTOR	0Ω 1/10W J	1	
R118		RK73GB2A000J	MG RESISTOR	0Ω 1/10W J	1	
R119		RK73HB1J104J	MG RESISTOR	100kΩ 1/16W J	1	
R120		RK73HB1J473J	MG RESISTOR	47kΩ 1/16W J	1	
R121		RK73HH1J104D	MG RESISTOR	100kΩ 1/16W D	1	
R122		RK73HH1J513D	MG RESISTOR	51kΩ 1/16W D	1	
R123		RK73HH1J333D	MG RESISTOR	33kΩ 1/16W D	1	
R124		RK73HB1J224J	MG RESISTOR	220kΩ 1/16W J	1	
R125		RK73HB1J224J	MG RESISTOR	220kΩ 1/16W J	1	
R126		RK73HH1J822D	MG RESISTOR	8.2kΩ 1/16W D	1	
R127		RK73HH1J104D	MG RESISTOR	100kΩ 1/16W D	1	
R128		RK73HH1J913D	MG RESISTOR	91kΩ 1/16W D	1	
R129		RK73HB1J224J	MG RESISTOR	220kΩ 1/16W J	1	
R130		RK73HB1J224J	MG RESISTOR	220kΩ 1/16W J	1	
R131		RK73HH1J304D	MG RESISTOR	300kΩ 1/16W D	1	
R132		RK73HH1J304D	MG RESISTOR	300kΩ 1/16W D	1	
R150		RK73GB2A000J	MG RESISTOR	0Ω 1/10W J	1	
R157		RK73GB2A000J	MG RESISTOR	0Ω 1/10W J	1	
R158		RK73GB2A000J	MG RESISTOR	0Ω 1/10W J	1	
R160		RK73GB2A000J	MG RESISTOR	0Ω 1/10W J	1	
R161		RK73HB1J000J	MG RESISTOR	0Ω 1/16W J	1	
R164		RK73GB2A000J	MG RESISTOR	0Ω 1/10W J	1	
R173		RK73HB1J000J	MG RESISTOR	0Ω 1/16W J	1	
R174		RK73HB1J000J	MG RESISTOR	0Ω 1/16W J	1	
R175		RK73HB1J000J	MG RESISTOR	0Ω 1/16W J	1	
R176		RK73HB1J000J	MG RESISTOR	0Ω 1/16W J	1	
R177		RK73HB1J472J	MG RESISTOR	4.7kΩ 1/16W J	1	
R178		RK73HB1J472J	MG RESISTOR	4.7kΩ 1/16W J	1	
R179		RK73HB1J330J	MG RESISTOR	33Ω 1/16W J	1	
R180		RK73HB1J330J	MG RESISTOR	33Ω 1/16W J	1	
R181		RK73HB1J330J	MG RESISTOR	33Ω 1/16W J	1	
R182		RK73HB1J330J	MG RESISTOR	33Ω 1/16W J	1	
R183		RK73HB1J330J	MG RESISTOR	33Ω 1/16W J	1	
R184		RK73HB1J472J	MG RESISTOR	4.7kΩ 1/16W J	1	
R185		RK73HB1J222J	MG RESISTOR	2.2kΩ 1/16W J	1	
R186		RK73HB1J222J	MG RESISTOR	2.2kΩ 1/16W J	1	
R187		RK73HB1J223J	MG RESISTOR	22kΩ 1/16W J	1	
R188		RK73HB1J223J	MG RESISTOR	22kΩ 1/16W J	1	
R189		RK73HB1J223J	MG RESISTOR	22kΩ 1/16W J	1	
R190		RK73HB1J223J	MG RESISTOR	22kΩ 1/16W J	1	
R191		RK73HB1J223J	MG RESISTOR	22kΩ 1/16W J	1	
R192		RK73HB1J223J	MG RESISTOR	22kΩ 1/16W J	1	
R193		RK73HB1J223J	MG RESISTOR	22kΩ 1/16W J	1	
R194		RK73HB1J223J	MG RESISTOR	22kΩ 1/16W J	1	

MODEL	MARK	MODEL	MARK	MODEL	MARK	MODEL	MARK
DNX7250DAB	E1	DNX7710BT	R1	DNX771HD	K1	DNX891HD	K0

Safe	Symbol No.	Parts No.	Parts Name	Description	QTY	Local
	R195	RK73GB2A2R2J	MG RESISTOR	2.2Ω 1/10W J	1	
	R196	RK73HB1J222J	MG RESISTOR	2.2kΩ 1/16W J	1	
	R197	RK73HB1J222J	MG RESISTOR	2.2kΩ 1/16W J	1	
	R202	RK73HB1J272J	MG RESISTOR	2.7kΩ 1/16W J	1	
	R203	RK73HB1J473J	MG RESISTOR	47kΩ 1/16W J	1	
	R206	RK73HB1J473J	MG RESISTOR	47kΩ 1/16W J	1	
	R207	RK73GB2A000J	MG RESISTOR	0Ω 1/10W J	1	
	R211	RK73HB1J473J	MG RESISTOR	47kΩ 1/16W J	1	
	R212	RK73HB1J473J	MG RESISTOR	47kΩ 1/16W J	1	
	R215	RK73HB1J221J	MG RESISTOR	220Ω 1/16W J	1	
	R216	RK73HB1J221J	MG RESISTOR	220Ω 1/16W J	1	
	R217	RK73HB1J221J	MG RESISTOR	220Ω 1/16W J	1	
	R218	RK73HB1J221J	MG RESISTOR	220Ω 1/16W J	1	
	R219	RK73GB2A2R2J	MG RESISTOR	2.2Ω 1/10W J	1	
	R221	RK73HB1J223J	MG RESISTOR	22kΩ 1/16W J	1	
	R222	RK73HB1J220J	MG RESISTOR	22Ω 1/16W J	1	
	R223	RK73HB1J220J	MG RESISTOR	22Ω 1/16W J	1	
	R224	RK73HB1J220J	MG RESISTOR	22Ω 1/16W J	1	
	R225	RK73HB1J000J	MG RESISTOR	0Ω 1/16W J	1	
	R226	RK73HB1J220J	MG RESISTOR	22Ω 1/16W J	1	
	R227	RK73HB1J220J	MG RESISTOR	22Ω 1/16W J	1	
	R228	RK73HB1J223J	MG RESISTOR	22kΩ 1/16W J	1	
	R229	RK73HB1J272J	MG RESISTOR	2.7kΩ 1/16W J	1	
	R230	RK73HB1J000J	MG RESISTOR	0Ω 1/16W J	1	
	R231	RK73HB1J101J	MG RESISTOR	100Ω 1/16W J	1	
	R232	RK73HB1J101J	MG RESISTOR	100Ω 1/16W J	1	
	R233	RK73HB1J101J	MG RESISTOR	100Ω 1/16W J	1	
	R234	RK73HB1J101J	MG RESISTOR	100Ω 1/16W J	1	
	R235	RK73HB1J101J	MG RESISTOR	100Ω 1/16W J	1	
	R236	RK73HB1J470J	MG RESISTOR	47Ω 1/16W J	1	
	R237	RK73HB1J223J	MG RESISTOR	22kΩ 1/16W J	1	
	R251	RK73HB1J100J	MG RESISTOR	10Ω 1/16W J	1	K1,K0
	R252	RK73HB1J100J	MG RESISTOR	10Ω 1/16W J	1	K1,K0
	R253	RK73HB1J200J	MG RESISTOR	20Ω 1/16W J	1	K1,K0
	R254	RK73HB1J200J	MG RESISTOR	20Ω 1/16W J	1	K1,K0
	R255	RK73HB1J101J	MG RESISTOR	100Ω 1/16W J	1	E1
	R257	RK73HB1J000J	MG RESISTOR	0Ω 1/16W J	1	E1
	R258	RK73HB1J220J	MG RESISTOR	22Ω 1/16W J	1	K1,K0
	R259	RK73HB1J220J	MG RESISTOR	22Ω 1/16W J	1	K1,K0
	R271	RK73HB1J101J	MG RESISTOR	100Ω 1/16W J	1	
	R272	RK73HB1J101J	MG RESISTOR	100Ω 1/16W J	1	
	R273	RK73HB1J101J	MG RESISTOR	100Ω 1/16W J	1	
	R274	RK73HB1J101J	MG RESISTOR	100Ω 1/16W J	1	
	R301	RK73HB1J272J	MG RESISTOR	2.7kΩ 1/16W J	1	R1,K0
	R302	RK73HB1J223J	MG RESISTOR	22kΩ 1/16W J	1	R1,K0
	R303	RK73EB2E152J	MG RESISTOR	1.5kΩ 1/4W J	1	R1,K0
	R304	RK73HB1J621J	MG RESISTOR	620Ω 1/16W J	1	R1,K0
	R305	RK73GB2A242J	MG RESISTOR	2.4kΩ 1/10W J	1	R1,K0
	R306	RK73PB2H2R0J	MG RESISTOR	2Ω 1/2W J	1	R1,K0
	R307	RK73PB2H2R0J	MG RESISTOR	2Ω 1/2W J	1	R1,K0
	R308	RK73HB1J473J	MG RESISTOR	47kΩ 1/16W J	1	R1,K0
	R309	RK73HB1J124J	MG RESISTOR	120kΩ 1/16W J	1	R1,K0
	R310	RK73HB1J472J	MG RESISTOR	4.7kΩ 1/16W J	1	R1,K0
	R311	RK73HB1J103J	MG RESISTOR	10kΩ 1/16W J	1	R1,K0
	R321	RK73HB1J471J	MG RESISTOR	470Ω 1/16W J	1	
	R322	RK73HB1J473J	MG RESISTOR	47kΩ 1/16W J	1	
	R323	RK73HB1J223J	MG RESISTOR	22kΩ 1/16W J	1	
	R324	RK73HB1J473J	MG RESISTOR	47kΩ 1/16W J	1	
	R325	RK73HB1J473J	MG RESISTOR	47kΩ 1/16W J	1	
	R326	RK73HB1J223J	MG RESISTOR	22kΩ 1/16W J	1	
	R331	RK73GB2A272J	MG RESISTOR	2.7kΩ 1/10W J	1	
	R332	RK73HB1J102J	MG RESISTOR	1kΩ 1/16W J	1	
	R401	RK73GB2A123J	MG RESISTOR	12kΩ 1/10W J	1	
	R402	RK73GB2A123J	MG RESISTOR	12kΩ 1/10W J	1	
	R414	RK73HB1J000J	MG RESISTOR	0Ω 1/16W J	1	
	R415	RK73HB1J101J	MG RESISTOR	100Ω 1/16W J	1	
	R416	RK73HB1J470J	MG RESISTOR	47Ω 1/16W J	1	
	R417	RK73HB1J470J	MG RESISTOR	47Ω 1/16W J	1	
	R418	RK73HB1J100J	MG RESISTOR	10Ω 1/16W J	1	
	R419	RK73HB1J101J	MG RESISTOR	100Ω 1/16W J	1	
	R422	RK73HB1J101J	MG RESISTOR	100Ω 1/16W J	1	
	R423	RK73HB1J101J	MG RESISTOR	100Ω 1/16W J	1	
	R424	RK73HB1J101J	MG RESISTOR	100Ω 1/16W J	1	
	R425	RK73HB1J101J	MG RESISTOR	100Ω 1/16W J	1	
	R426	RK73HB1J101J	MG RESISTOR	100Ω 1/16W J	1	
	R427	RK73HB1J100J	MG RESISTOR	10Ω 1/16W J	1	
	R428	RK73HB1J100J	MG RESISTOR	10Ω 1/16W J	1	
	R429	RK73HB1J100J	MG RESISTOR	10Ω 1/16W J	1	
	R430	RK73HB1J101J	MG RESISTOR	100Ω 1/16W J	1	
	R431	RK73HB1J100J	MG RESISTOR	10Ω 1/16W J	1	
	R432	RK73HB1J472J	MG RESISTOR	4.7kΩ 1/16W J	1	
	R437	RK73HH1J470D	MG RESISTOR	47Ω 1/16W D	1	
	R438	RK73HH1J470D	MG RESISTOR	47Ω 1/16W D	1	
	R439	RK73HH1J470D	MG RESISTOR	47Ω 1/16W D	1	
	R440	RK73HH1J100D	MG RESISTOR	10Ω 1/16W D	1	
	R441	RK73HH1J100D	MG RESISTOR	10Ω 1/16W D	1	
	R443	RK73HB1J100J	MG RESISTOR	10Ω 1/16W J	1	R1,K1,K0
	R445	RK73HB1J104J	MG RESISTOR	100kΩ 1/16W J	1	E1
	R448	RK73HB1J101J	MG RESISTOR	100Ω 1/16W J	1	
	R449	RK73HB1J470J	MG RESISTOR	47Ω 1/16W J	1	
	R451	RK73HB1J101J	MG RESISTOR	100Ω 1/16W J	1	E1
	R453	RK73HB1J470J	MG RESISTOR	47Ω 1/16W J	1	

MODEL	MARK	MODEL	MARK	MODEL	MARK	MODEL	MARK
DNX7250DAB	E1	DNX7710BT	R1	DNX771HD	K1	DNX891HD	K0

Safe	Symbol No.	Parts No.	Parts Name	Description	QTY	Local
	R454	RK73HB1J101J	MG RESISTOR	100Ω 1/16W J	1	
	R456	RK73HB1J101J	MG RESISTOR	100Ω 1/16W J	1	
	R501	RK73HB1J102J	MG RESISTOR	1kΩ 1/16W J	1	
	R502	RK73HB1J101J	MG RESISTOR	100Ω 1/16W J	1	
	R503	RK73HB1J473J	MG RESISTOR	47kΩ 1/16W J	1	
	R504	RK73HB1J101J	MG RESISTOR	100Ω 1/16W J	1	
	R505	RK73HB1J101J	MG RESISTOR	100Ω 1/16W J	1	
	R506	RK73HB1J101J	MG RESISTOR	100Ω 1/16W J	1	
	R507	RK73HB1J154J	MG RESISTOR	150kΩ 1/16W J	1	
	R508	RK73HB1J000J	MG RESISTOR	0Ω 1/16W J	1	
	R509	RK73HB1J471J	MG RESISTOR	470Ω 1/16W J	1	
	R511	RK73HB1J103J	MG RESISTOR	10kΩ 1/16W J	1	
	R512	RK73HB1J103J	MG RESISTOR	10kΩ 1/16W J	1	
	R513	RK73HB1J473J	MG RESISTOR	47kΩ 1/16W J	1	
	R514	RK73HB1J103J	MG RESISTOR	10kΩ 1/16W J	1	
	R515	RK73HB1J101J	MG RESISTOR	100Ω 1/16W J	1	
	R516	RK73HB1J473J	MG RESISTOR	47kΩ 1/16W J	1	
	R517	RK73HB1J473J	MG RESISTOR	47kΩ 1/16W J	1	
	R518	RK73HB1J101J	MG RESISTOR	100Ω 1/16W J	1	
	R519	RK73HB1J272J	MG RESISTOR	2.7kΩ 1/16W J	1	
	R520	RK73HB1J223J	MG RESISTOR	22kΩ 1/16W J	1	
	R521	RK73HB1J101J	MG RESISTOR	100Ω 1/16W J	1	
	R522	RK73HB1J101J	MG RESISTOR	100Ω 1/16W J	1	
	R523	RK73HB1J101J	MG RESISTOR	100Ω 1/16W J	1	
	R524	RK73HB1J000J	MG RESISTOR	0Ω 1/16W J	1	
	R525	RK73HB1J272J	MG RESISTOR	2.7kΩ 1/16W J	1	
	R527	RK73HB1J472J	MG RESISTOR	4.7kΩ 1/16W J	1	
	R528	RK73HB1J101J	MG RESISTOR	100Ω 1/16W J	1	
	R529	RK73HB1J472J	MG RESISTOR	4.7kΩ 1/16W J	1	
	R530	RK73HB1J101J	MG RESISTOR	100Ω 1/16W J	1	
	R531	RK73HB1J101J	MG RESISTOR	100Ω 1/16W J	1	
	R532	RK73HB1J101J	MG RESISTOR	100Ω 1/16W J	1	
	R533	RK73HB1J473J	MG RESISTOR	47kΩ 1/16W J	1	
	R534	RK73HB1J101J	MG RESISTOR	100Ω 1/16W J	1	
	R535	RK73GB2A473J	MG RESISTOR	47kΩ 1/10W J	1	K1,K0
	R536	RK73HB1J101J	MG RESISTOR	100Ω 1/16W J	1	K1,K0
	R539	RK73HB1J000J	MG RESISTOR	0Ω 1/16W J	1	
	R540	RK73HB1J101J	MG RESISTOR	100Ω 1/16W J	1	
	R541	RK73HB1J272J	MG RESISTOR	2.7kΩ 1/16W J	1	
	R542	RK73HB1J272J	MG RESISTOR	2.7kΩ 1/16W J	1	
	R543	RK73HB1J472J	MG RESISTOR	4.7kΩ 1/16W J	1	
	R544	RK73HB1J472J	MG RESISTOR	4.7kΩ 1/16W J	1	
	R545	RK73HB1J101J	MG RESISTOR	100Ω 1/16W J	1	
	R546	RK73HB1J101J	MG RESISTOR	100Ω 1/16W J	1	
	R547	RK73HB1J473J	MG RESISTOR	47kΩ 1/16W J	1	
	R548	RK73HB1J680J	MG RESISTOR	68Ω 1/16W J	1	
	R549	RK73HB1J511J	MG RESISTOR	510Ω 1/16W J	1	
	R550	RK73HB1J101J	MG RESISTOR	100Ω 1/16W J	1	
	R551	RK73HB1J104J	MG RESISTOR	100kΩ 1/16W J	1	
	R552	RK73HB1J101J	MG RESISTOR	100Ω 1/16W J	1	
	R553	RK73HB1J104J	MG RESISTOR	100kΩ 1/16W J	1	
	R554	RK73HB1J101J	MG RESISTOR	100Ω 1/16W J	1	
	R555	RK73HB1J473J	MG RESISTOR	47kΩ 1/16W J	1	
	R556	RK73HB1J472J	MG RESISTOR	4.7kΩ 1/16W J	1	
	R557	RK73HB1J101J	MG RESISTOR	100Ω 1/16W J	1	
	R559	RK73HB1J473J	MG RESISTOR	47kΩ 1/16W J	1	
	R560	RK73HB1J104J	MG RESISTOR	100kΩ 1/16W J	1	
	R561	RK73HB1J104J	MG RESISTOR	100kΩ 1/16W J	1	
	R562	RK73HB1J101J	MG RESISTOR	100Ω 1/16W J	1	
	R563	RK73HB1J101J	MG RESISTOR	100Ω 1/16W J	1	
	R564	RK73HB1J101J	MG RESISTOR	100Ω 1/16W J	1	
	R565	RK73HB1J473J	MG RESISTOR	47kΩ 1/16W J	1	
	R566	RK73HB1J101J	MG RESISTOR	100Ω 1/16W J	1	
	R567	RK73HB1J101J	MG RESISTOR	100Ω 1/16W J	1	E1
	R568	RK73HB1J223J	MG RESISTOR	22kΩ 1/16W J	1	
	R569	RK73HB1J101J	MG RESISTOR	100Ω 1/16W J	1	E1
	R570	RK73HB1J101J	MG RESISTOR	100Ω 1/16W J	1	
	R571	RK73HB1J222J	MG RESISTOR	2.2kΩ 1/16W J	1	
	R572	RK73HB1J222J	MG RESISTOR	2.2kΩ 1/16W J	1	
	R573	RK73HB1J473J	MG RESISTOR	47kΩ 1/16W J	1	
	R574	RK73HB1J101J	MG RESISTOR	100Ω 1/16W J	1	
	R575	RK73HB1J101J	MG RESISTOR	100Ω 1/16W J	1	
	R576	RK73HB1J101J	MG RESISTOR	100Ω 1/16W J	1	
	R577	RK73HB1J101J	MG RESISTOR	100Ω 1/16W J	1	
	R578	RK73HB1J101J	MG RESISTOR	100Ω 1/16W J	1	
	R579	RK73HB1J101J	MG RESISTOR	100Ω 1/16W J	1	
	R580	RK73HB1J104J	MG RESISTOR	100kΩ 1/16W J	1	
	R581	RK73HB1J101J	MG RESISTOR	100Ω 1/16W J	1	E1
	R583	RK73HB1J101J	MG RESISTOR	100Ω 1/16W J	1	
	R584	RK73HB1J104J	MG RESISTOR	100kΩ 1/16W J	1	
	R585	RK73HH1J104D	MG RESISTOR	100kΩ 1/16W D	1	
	R586	RK73HH1J244D	MG RESISTOR	240kΩ 1/16W D	1	E1,R1,K1
	R587	RK73HH1J104D	MG RESISTOR	100kΩ 1/16W D	1	
	R588	RK73HH1J134D	MG RESISTOR	130kΩ 1/16W D	1	E1
	R588	RK73HH1J244D	MG RESISTOR	240kΩ 1/16W D	1	R1
	R589	RK73HB1J101J	MG RESISTOR	100Ω 1/16W J	1	
	R594	RK73HB1J101J	MG RESISTOR	100Ω 1/16W J	1	
	R595	RK73HB1J101J	MG RESISTOR	100Ω 1/16W J	1	
	R596	RK73HB1J272J	MG RESISTOR	2.7kΩ 1/16W J	1	
	R597	RK73HB1J104J	MG RESISTOR	100kΩ 1/16W J	1	
	R601	RK73HB1J101J	MG RESISTOR	100Ω 1/16W J	1	
	R602	RK73HB1J101J	MG RESISTOR	100Ω 1/16W J	1	
	R603	RK73HB1J101J	MG RESISTOR	100Ω 1/16W J	1	

MODEL	MARK	MODEL	MARK	MODEL	MARK	MODEL	MARK
DNX7250DAB	E1	DNX7710BT	R1	DNX771HD	K1	DNX891HD	K0

Safe	Symbol No.	Parts No.	Parts Name	Description	QTY	Local
	R604	RK73HB1J272J	MG RESISTOR	2.7kΩ 1/16W J	1	
	R605	RK73HB1J101J	MG RESISTOR	100Ω 1/16W J	1	
	R606	RK73HB1J272J	MG RESISTOR	2.7kΩ 1/16W J	1	
	R611	RK73HB1J101J	MG RESISTOR	100Ω 1/16W J	1	
	R615	RK73HB1J104J	MG RESISTOR	100kΩ 1/16W J	1	
	R616	RK73HB1J101J	MG RESISTOR	100Ω 1/16W J	1	
	R617	RK73HB1J473J	MG RESISTOR	47kΩ 1/16W J	1	
	R618	RK73HB1J104J	MG RESISTOR	100kΩ 1/16W J	1	
	R620	RK73HB1J473J	MG RESISTOR	47kΩ 1/16W J	1	
	R621	RK73HB1J473J	MG RESISTOR	47kΩ 1/16W J	1	
	R625	RK73HB1J561J	MG RESISTOR	560Ω 1/16W J	1	
	R627	RK73HB1J473J	MG RESISTOR	47kΩ 1/16W J	1	
	R628	RK73HB1J104J	MG RESISTOR	100kΩ 1/16W J	1	
	R629	RK73HB1J473J	MG RESISTOR	47kΩ 1/16W J	1	
	R702	RK73HB1J222J	MG RESISTOR	2.2kΩ 1/16W J	1	R1,K0
	R703	RK73HB1J272J	MG RESISTOR	2.7kΩ 1/16W J	1	R1,K0
	R704	RK73HB1J222J	MG RESISTOR	2.2kΩ 1/16W J	1	
	R705	RK73HB1J473J	MG RESISTOR	47kΩ 1/16W J	1	
	R706	RK73HB1J272J	MG RESISTOR	2.7kΩ 1/16W J	1	
	R708	RK73GB2A000J	MG RESISTOR	0Ω 1/10W J	1	
	R719	RK73HB1J000J	MG RESISTOR	0Ω 1/16W J	1	E1,K1,K0
	R720	RK73HB1J000J	MG RESISTOR	0Ω 1/16W J	1	E1,K1,K0
	R721	RK73HB1J272J	MG RESISTOR	2.7kΩ 1/16W J	1	
	R724	RK73HB1J000J	MG RESISTOR	0Ω 1/16W J	1	
	R725	RK73HB1J223J	MG RESISTOR	22kΩ 1/16W J	1	
	R726	RK73HB1J223J	MG RESISTOR	22kΩ 1/16W J	1	
	R727	RK73HB1J223J	MG RESISTOR	22kΩ 1/16W J	1	
	R728	RK73HB1J223J	MG RESISTOR	22kΩ 1/16W J	1	
	R729	RK73HB1J220J	MG RESISTOR	22Ω 1/16W J	1	
	R730	RK73HB1J220J	MG RESISTOR	22Ω 1/16W J	1	
	R731	RK73HB1J220J	MG RESISTOR	22Ω 1/16W J	1	
	R732	RK73HB1J220J	MG RESISTOR	22Ω 1/16W J	1	
	R733	RK73HB1J220J	MG RESISTOR	22Ω 1/16W J	1	
	R734	RK73HB1J220J	MG RESISTOR	22Ω 1/16W J	1	
	R735	RK73HB1J220J	MG RESISTOR	22Ω 1/16W J	1	
	R736	RK73HB1J220J	MG RESISTOR	22Ω 1/16W J	1	
	R737	RK73HB1J220J	MG RESISTOR	22Ω 1/16W J	1	
	R738	RK73HB1J220J	MG RESISTOR	22Ω 1/16W J	1	
	R739	RK73GB2A2R2J	MG RESISTOR	2.2Ω 1/10W J	1	
	R740	RK73GB2A2R2J	MG RESISTOR	2.2Ω 1/10W J	1	
	R741	RK73GB2A221J	MG RESISTOR	220Ω 1/10W J	1	
	R742	RK73GB2A221J	MG RESISTOR	220Ω 1/10W J	1	
	R743	RK73HB1J221J	MG RESISTOR	220Ω 1/16W J	1	
	R744	RK73GB2A221J	MG RESISTOR	220Ω 1/10W J	1	
	R745	RK73GB2A221J	MG RESISTOR	220Ω 1/10W J	1	
	R746	RK73GB2A2R2J	MG RESISTOR	2.2Ω 1/10W J	1	
	R747	RK73HB1J000J	MG RESISTOR	0Ω 1/16W J	1	
	R748	RK73HB1J000J	MG RESISTOR	0Ω 1/16W J	1	
	R749	RK73HB1J000J	MG RESISTOR	0Ω 1/16W J	1	
	R755	RK73HB1J471J	MG RESISTOR	470Ω 1/16W J	1	
	R756	RK73HB1J223J	MG RESISTOR	22kΩ 1/16W J	1	
	R759	RK73HB1J223J	MG RESISTOR	22kΩ 1/16W J	1	
	R760	RK73HB1J471J	MG RESISTOR	470Ω 1/16W J	1	
	R761	RK73HB1J470J	MG RESISTOR	47Ω 1/16W J	1	R1,K0
	R763	RK73HB1J910J	MG RESISTOR	91Ω 1/16W J	1	R1,K0
	R764	RK73HB1J331J	MG RESISTOR	330Ω 1/16W J	1	R1,K0
	R783	RK73HB1J620J	MG RESISTOR	62Ω 1/16W J	1	
	R785	RK73HB1J4R7J	MG RESISTOR	4.7Ω 1/16W J	1	
	R786	RK73HB1J100J	MG RESISTOR	10Ω 1/16W J	1	
	R787	RK73HB1J223J	MG RESISTOR	22kΩ 1/16W J	1	
	R788	RK73HB1J4R7J	MG RESISTOR	4.7Ω 1/16W J	1	
	R789	RK73HB1J223J	MG RESISTOR	22kΩ 1/16W J	1	
	R790	RK73HB1J100J	MG RESISTOR	10Ω 1/16W J	1	
	R801	RK73HB1J472J	MG RESISTOR	4.7kΩ 1/16W J	1	
	R802	RK73HB1J472J	MG RESISTOR	4.7kΩ 1/16W J	1	
	R803	RK73GB2A111J	MG RESISTOR	110Ω 1/10W J	1	
	R804	RK73HB1J472J	MG RESISTOR	4.7kΩ 1/16W J	1	
	R805	RK73HB1J182J	MG RESISTOR	1.8kΩ 1/16W J	1	
	R806	RK73HB1J103J	MG RESISTOR	10kΩ 1/16W J	1	
	R807	RK73HB1J243J	MG RESISTOR	24kΩ 1/16W J	1	
	R808	RK73HB1J473J	MG RESISTOR	47kΩ 1/16W J	1	
	R809	RK73HB1J103J	MG RESISTOR	10kΩ 1/16W J	1	
	R810	RK73HB1J473J	MG RESISTOR	47kΩ 1/16W J	1	
	R811	RK73HB1J223J	MG RESISTOR	22kΩ 1/16W J	1	
	R822	RK73HB1J100J	MG RESISTOR	10Ω 1/16W J	1	R1,K0
	R823	RK73HB1J303J	MG RESISTOR	30kΩ 1/16W J	1	
	R824	RK73HB1J272J	MG RESISTOR	2.7kΩ 1/16W J	1	
	R825	RK73GB2A000J	MG RESISTOR	0Ω 1/10W J	1	
	R826	RK73HB1J100J	MG RESISTOR	10Ω 1/16W J	1	
	R827	RK73HH1J750D	MG RESISTOR	75Ω 1/16W D	1	
	R828	RK73HH1J750D	MG RESISTOR	75Ω 1/16W D	1	R1,K0
	R829	RK73HB1J303J	MG RESISTOR	30kΩ 1/16W J	1	
	R831	RK73HB1J102J	MG RESISTOR	1kΩ 1/16W J	1	
	R833	RK73HB1J100J	MG RESISTOR	10Ω 1/16W J	1	
	R834	RK73HB1J000J	MG RESISTOR	0Ω 1/16W J	1	
	R835	RK73HH1J750D	MG RESISTOR	75Ω 1/16W D	1	
	R836	RK73HB1J100J	MG RESISTOR	10Ω 1/16W J	1	
	R837	RK73HB1J4R7J	MG RESISTOR	4.7Ω 1/16W J	1	
	R838	RK73HB1J100J	MG RESISTOR	10Ω 1/16W J	1	
	R839	RK73HB1J750J	MG RESISTOR	75Ω 1/16W J	1	
	R840	RK73HB1J100J	MG RESISTOR	10Ω 1/16W J	1	
	R841	RK73HB1J300J	MG RESISTOR	30Ω 1/16W J	1	

MODEL	MARK	MODEL	MARK	MODEL	MARK	MODEL	MARK
DNX7250DAB	E1	DNX7710BT	R1	DNX771HD	K1	DNX891HD	K0

Safe	Symbol No.	Parts No.	Parts Name	Description	QTY	Local
	R852	RK73HB1J101J	MG RESISTOR	100Ω 1/16W J	1	
	R854	RK73FB2B101J	MG RESISTOR	100Ω 1/8W J	1	
	R858	RK73HB1J000J	MG RESISTOR	0Ω 1/16W J	1	
	R872	RK73HB1J000J	MG RESISTOR	0Ω 1/16W J	1	
	R873	RK73HB1J000J	MG RESISTOR	0Ω 1/16W J	1	
	R874	RK73HB1J000J	MG RESISTOR	0Ω 1/16W J	1	
	R875	RK73HB1J000J	MG RESISTOR	0Ω 1/16W J	1	
	R876	RK73HB1J000J	MG RESISTOR	0Ω 1/16W J	1	R1,K0
	R877	RK73HB1J100J	MG RESISTOR	10Ω 1/16W J	1	
	R878	RK73HH1J391D	MG RESISTOR	390Ω 1/16W D	1	
	R879	RK73HH1J201D	MG RESISTOR	200Ω 1/16W D	1	
	R884	RK73HB1J100J	MG RESISTOR	10Ω 1/16W J	1	
	R886	RK73HB1J220J	MG RESISTOR	22Ω 1/16W J	1	
	R887	RK73HB1J220J	MG RESISTOR	22Ω 1/16W J	1	
	R888	RK73HB1J000J	MG RESISTOR	0Ω 1/16W J	1	
	R889	RK73HH1J683D	MG RESISTOR	68kΩ 1/16W D	1	
	R890	RK73HH1J683D	MG RESISTOR	68kΩ 1/16W D	1	
	R901	RK73HB1J330J	MG RESISTOR	33Ω 1/16W J	1	
	R902	RK73HB1J000J	MG RESISTOR	0Ω 1/16W J	1	
	R903	RK73HB1J330J	MG RESISTOR	33Ω 1/16W J	1	
	R904	RK73HB1J000J	MG RESISTOR	0Ω 1/16W J	1	
	R905	RK73HH1J201D	MG RESISTOR	200Ω 1/16W D	1	
	R906	RK73HH1J750D	MG RESISTOR	75Ω 1/16W D	1	
	R907	RK73HH1J201D	MG RESISTOR	200Ω 1/16W D	1	
	R908	RK73HH1J750D	MG RESISTOR	75Ω 1/16W D	1	
	R909	RK73HH1J750D	MG RESISTOR	75Ω 1/16W D	1	
	R910	RK73HH1J201D	MG RESISTOR	200Ω 1/16W D	1	
	R911	RK73HB1J000J	MG RESISTOR	0Ω 1/16W J	1	
	R912	RK73HB1J330J	MG RESISTOR	33Ω 1/16W J	1	
	R913	RK73GB2A000J	MG RESISTOR	0Ω 1/10W J	1	
	R914	RK73HB1J105J	MG RESISTOR	1MΩ 1/16W J	1	
	R915	RK73HB1J105J	MG RESISTOR	1MΩ 1/16W J	1	
	R916	RK73HH1J201D	MG RESISTOR	200Ω 1/16W D	1	
	R917	RK73HB1J101J	MG RESISTOR	100Ω 1/16W J	1	
	R918	RK73HH1J102D	MG RESISTOR	1kΩ 1/16W D	1	
	R919	RK73HB1J000J	MG RESISTOR	0Ω 1/16W J	1	
	R920	RK73HB1J000J	MG RESISTOR	0Ω 1/16W J	1	
	R921	RK73HB1J220J	MG RESISTOR	22Ω 1/16W J	1	
	R922	RK73HB1J220J	MG RESISTOR	22Ω 1/16W J	1	
	R923	RK73HB1J000J	MG RESISTOR	0Ω 1/16W J	1	
	R924	RK73HB1J000J	MG RESISTOR	0Ω 1/16W J	1	
	R925	RK73HB1J103J	MG RESISTOR	10kΩ 1/16W J	1	
	R926	RK73HB1J000J	MG RESISTOR	0Ω 1/16W J	1	
	R927	RK73HB1J272J	MG RESISTOR	2.7kΩ 1/16W J	1	
	R928	RK73HB1J220J	MG RESISTOR	22Ω 1/16W J	1	
	L13	NQLQ1EM-100X	COIL	10uH M	1	
	L32	NQR0723-001X	CHOKE COIL		1	
	L52	NQR0723-001X	CHOKE COIL		1	
	L82	NQLQ1EM-100X	COIL	10uH M	1	
	L401	NQLQ2EN-5R1X	COIL	5.1uH N	1	
	L402	LR79Z0AG100M	COIL	10uH	1	
	L501	NQR0199-003X	FERRITE BEADS		1	
	L535	NQR0199-003X	FERRITE BEADS		1	K1,K0
	L751	LR79Z0AG100M	COIL	10uH	1	
	L871	NQL77GK-100X	COIL	10uH K	1	
	L901	NQL77GK-100X	COIL	10uH K	1	
	L921	NQLP9AJ-27N X	COIL	27nH J	1	
	L922	NQLP7AG-8N2X	COIL	8.2nH G	1	
	L923	NQLZ021-9N1X	COIL	9.1nH	1	
	L924	NQR0593-001X	FERRITE BEADS		1	
	L925	NQR0593-001X	FERRITE BEADS		1	
	L926	NAX1261-001X	SAW FILTER		1	
	A171	NAU0027-004X	RF MODULE		1	E1,K1
	A171	NAU0029-004X	RF MODULE		1	R1,K0
	CN101	QGA2001C1-02	CONNECTOR	W-B (1-2)	1	
	CN201	QGB0811L2-40X	CONNECTOR	B-B (1-40)	1	
	CN231	QGF0534F7-14X	CONNECTOR	FFC/FPC (1-14)	1	
	CN251	QGF0534F7-50X	CONNECTOR	FFC/FPC (1-50)	1	
	CN252	QGA2021F1-04	CONNECTOR	W-B (1-4)	1	K1,K0
	CN271	QGA1002F1-08X	CONNECTOR	W-B (1-8)	1	
	CN301	QGB0812M9-70X	CONNECTOR	B-B (1-70)	1	
	CN311	QGA2504F2-04	CONNECTOR	W-B (1-4)	1	
	CN401	QGF0572F1-60X	CONNECTOR	FFC/FPC (1-60)	1	
	CN402	QGA1002F1-04X	CONNECTOR	W-B (1-4)	1	
	CN701	QGB0812L4-70X	CONNECTOR	B-B (1-70)	1	
	CN751	QGF0534F7-40X	CONNECTOR	FFC/FPC (1-40)	1	
	CN801	QGA2015F1-14	CONNECTOR	W-B (1-14)	1	
	CN901	QGF0534F7-60X	CONNECTOR	FFC/FPC (1-60)	1	
△	F401	NMFZ031-1R6X-H	FUSE	1.6A	1	
△	F402	NMFZ031-1R6X-H	FUSE	1.6A	1	
	J231	NNZ0239-001X	SD CARD CONNE		1	
	J251	QNS0071-001	3.5 JACK		1	E1,K1,K0
	J781	QNS0291-001	3.5 JACK		1	
	J851	QNS0071-001	3.5 JACK		1	
	J921	QNZ1055-001	COAXIAL JACK		1	
	X501	NAX1256-001X	CRYSTAL		1	
	X502	NAX1201-001X	CRYSTAL		1	
	X921	NAX1235-001X	CXO		1	
	X922	NAX1248-001X	CRYSTAL		1	
	SOC2 PWB ASSY (LVA11314-xxA) <SO>					
	IC1	-----	IC		1	
	IC2	NJM2561F1	BIPOLAR IC		1	

MODEL	MARK	MODEL	MARK	MODEL	MARK	MODEL	MARK
DNX7250DAB	E1	DNX7710BT	R1	DNX771HD	K1	DNX891HD	K0

Safe	Symbol No.	Parts No.	Parts Name	Description	QTY	Local
	IC3	TC7SG86FU-X	IC(DIGITAL)		1	
	IC4	THS8136PHP-W	IC		1	
	IC5	TC7SG04FU-X	IC		1	
	IC8	XC6223B331PG-X	IC		1	
	IC101	MST7901SD-I	IC		1	
	IC102	W10-0884-08	IC	PROGRAMED IC	1	
	IC400	XC6220B121PG-X	IC		1	
	IC500	W10-0883-08	IC	PROGRAMED IC	1	
	IC501	-----	IC		1	
	IC502	-----	IC		1	
	IC503	-----	IC		1	
	IC504	-----	IC		1	
	IC505	XC6223B331PG-X	IC		1	
	IC506	XC6213B182N-G	MOS IC		1	
	IC507	XC6223B181PG-X	IC		1	
	IC508	XC6602B181PG-X	IC		1	
	IC700	TC7W08FUF	MOS IC		1	
	Q2	LSAR523EBFS8	TRANSISTOR		1	
	Q100	LTC014YEBFS8	DIGI TRANSISTOR		1	
	Q101	LTA014YEB-X	DIGI TRANSISTOR		1	
	Q700	LTC014YEBFS8	DIGI TRANSISTOR		1	
	Q701	LTC014YEBFS8	DIGI TRANSISTOR		1	
	Q703	LSCR523EBFS8	TRANSISTOR		1	
	C1	NCJ20JM-226X-A	C CAPACITOR	22uF 6.3V M	1	
	C2	NCJ20JM-226X-A	C CAPACITOR	22uF 6.3V M	1	
	C4	NCJ20JM-226X-A	C CAPACITOR	22uF 6.3V M	1	
	C5	NCJ20JM-226X-A	C CAPACITOR	22uF 6.3V M	1	
	C6	CK73HXR0J105K	C CAPACITOR	1uF 6.3V K	1	
	C7	CK73HBB1A104K	C CAPACITOR	0.1uF 10V K	1	
	C12	NCJ21CK-106X-R	C CAPACITOR	10uF 16V K	1	
	C13	NCJ21CK-106X-R	C CAPACITOR	10uF 16V K	1	
	C14	CK73HBB1A104K	C CAPACITOR	0.1uF 10V K	1	
	C23	CK73HBB1A104K	C CAPACITOR	0.1uF 10V K	1	
	C28	CK73HBB1A104K	C CAPACITOR	0.1uF 10V K	1	
	C33	CK73HBB1A104K	C CAPACITOR	0.1uF 10V K	1	
	C34	CK73HBB1A104K	C CAPACITOR	0.1uF 10V K	1	
	C38	NCJ21CK-106X-R	C CAPACITOR	10uF 16V K	1	
	C39	CK73HBB1A104K	C CAPACITOR	0.1uF 10V K	1	
	C50	CK73HBB1A104K	C CAPACITOR	0.1uF 10V K	1	
	C51	CK73HBB1A104K	C CAPACITOR	0.1uF 10V K	1	
	C55	CK73HXR0J105K	C CAPACITOR	1uF 6.3V K	1	
	C56	CK73HXR0J105K	C CAPACITOR	1uF 6.3V K	1	
	C71	NCJ20JM-226X-A	C CAPACITOR	22uF 6.3V M	1	
	C101	CC73HCH1H080D	C CAPACITOR	8pF 50V D	1	
	C102	CC73HCH1H120J	C CAPACITOR	12pF 50V J	1	
	C103	NCJ21CK-106X-R	C CAPACITOR	10uF 16V K	1	
	C104	NCJ20JM-226X-A	C CAPACITOR	22uF 6.3V M	1	
	C105	CK73HBB1A104K	C CAPACITOR	0.1uF 10V K	1	
	C106	CK73HBB1A104K	C CAPACITOR	0.1uF 10V K	1	
	C107	CK73HBB1H102K	C CAPACITOR	1000pF 50V K	1	
	C108	CK73HBB1A104K	C CAPACITOR	0.1uF 10V K	1	
	C109	CK73HBB1A104K	C CAPACITOR	0.1uF 10V K	1	
	C110	CK73HBB1A104K	C CAPACITOR	0.1uF 10V K	1	
	C111	CK73HBB1A104K	C CAPACITOR	0.1uF 10V K	1	
	C112	CK73HBB1A104K	C CAPACITOR	0.1uF 10V K	1	
	C113	CK73HBB1A104K	C CAPACITOR	0.1uF 10V K	1	
	C114	CK73HBB1H102K	C CAPACITOR	1000pF 50V K	1	
	C115	NCJ21CK-106X-R	C CAPACITOR	10uF 16V K	1	
	C116	CK73HBB1H102K	C CAPACITOR	1000pF 50V K	1	
	C117	CK73HBB1A104K	C CAPACITOR	0.1uF 10V K	1	
	C118	CK73HBB1A104K	C CAPACITOR	0.1uF 10V K	1	
	C119	NCJ21CK-106X-R	C CAPACITOR	10uF 16V K	1	
	C120	CK73HBB1A104K	C CAPACITOR	0.1uF 10V K	1	
	C121	CK73HBB1A104K	C CAPACITOR	0.1uF 10V K	1	
	C122	CK73HBB1A104K	C CAPACITOR	0.1uF 10V K	1	
	C130	CK73HBB1A104K	C CAPACITOR	0.1uF 10V K	1	
	C131	CK73HBB1E103K	C CAPACITOR	0.01uF 25V K	1	
	C200	CK73HBB1A104K	C CAPACITOR	0.1uF 10V K	1	
	C201	CK73HBB1A104K	C CAPACITOR	0.1uF 10V K	1	
	C202	CK73HBB1A104K	C CAPACITOR	0.1uF 10V K	1	
	C203	NCJ21CK-106X-R	C CAPACITOR	10uF 16V K	1	
	C204	CK73HBB1A104K	C CAPACITOR	0.1uF 10V K	1	
	C205	CK73HBB1A104K	C CAPACITOR	0.1uF 10V K	1	
	C206	CK73HBB1A104K	C CAPACITOR	0.1uF 10V K	1	
	C207	CK73HBB1E103K	C CAPACITOR	0.01uF 25V K	1	
	C208	NCJ21CK-106X-R	C CAPACITOR	10uF 16V K	1	
	C209	CK73HBB1A104K	C CAPACITOR	0.1uF 10V K	1	
	C210	CK73HBB1A104K	C CAPACITOR	0.1uF 10V K	1	
	C211	CK73HBB1A104K	C CAPACITOR	0.1uF 10V K	1	
	C212	CK73HBB1E103K	C CAPACITOR	0.01uF 25V K	1	
	C213	CK73HBB1A104K	C CAPACITOR	0.1uF 10V K	1	
	C215	CK73HBB1A104K	C CAPACITOR	0.1uF 10V K	1	
	C216	CK73HBB1A104K	C CAPACITOR	0.1uF 10V K	1	
	C217	NCJ21CK-106X-R	C CAPACITOR	10uF 16V K	1	
	C218	CK73HBB1A104K	C CAPACITOR	0.1uF 10V K	1	
	C219	CK73HBB1A104K	C CAPACITOR	0.1uF 10V K	1	
	C220	CK73HBB1A104K	C CAPACITOR	0.1uF 10V K	1	
	C221	CK73HBB1E103K	C CAPACITOR	0.01uF 25V K	1	
	C222	CK73HBB1A104K	C CAPACITOR	0.1uF 10V K	1	
	C224	CK73HBB1A104K	C CAPACITOR	0.1uF 10V K	1	
	C225	NCJ21CK-106X-R	C CAPACITOR	10uF 16V K	1	
	C226	CK73HBB1A104K	C CAPACITOR	0.1uF 10V K	1	
	C227	CK73HBB1A104K	C CAPACITOR	0.1uF 10V K	1	

MODEL	MARK	MODEL	MARK	MODEL	MARK	MODEL	MARK
DNX7250DAB	E1	DNX7710BT	R1	DNX771HD	K1	DNX891HD	K0

Safe	Symbol No.	Parts No.	Parts Name	Description	QTY	Local
	C228	CK73HBB1A104K	C CAPACITOR	0.1uF 10V K	1	
	C229	CK73HBB1E103K	C CAPACITOR	0.01uF 25V K	1	
	C230	CK73HBB1A104K	C CAPACITOR	0.1uF 10V K	1	
	C232	CK73HBB1A104K	C CAPACITOR	0.1uF 10V K	1	
	C233	CK73HBB1A104K	C CAPACITOR	0.1uF 10V K	1	
	C234	NCJ21CK-106X-R	C CAPACITOR	10uF 16V K	1	
	C235	CK73HBB1A104K	C CAPACITOR	0.1uF 10V K	1	
	C236	CK73HBB1A104K	C CAPACITOR	0.1uF 10V K	1	
	C237	CK73HBB1A104K	C CAPACITOR	0.1uF 10V K	1	
	C238	CK73HBB1E103K	C CAPACITOR	0.01uF 25V K	1	
	C239	CK73HBB1A104K	C CAPACITOR	0.1uF 10V K	1	
	C241	CK73HBB1A104K	C CAPACITOR	0.1uF 10V K	1	
	C242	CK73HBB1A104K	C CAPACITOR	0.1uF 10V K	1	
	C243	CK73HBB1A104K	C CAPACITOR	0.1uF 10V K	1	
	C244	CK73HBB1A104K	C CAPACITOR	0.1uF 10V K	1	
	C245	NCJ21CK-106X-R	C CAPACITOR	10uF 16V K	1	
	C246	CK73HBB1A104K	C CAPACITOR	0.1uF 10V K	1	
	C247	CK73HBB1A104K	C CAPACITOR	0.1uF 10V K	1	
	C248	CK73HBB1A104K	C CAPACITOR	0.1uF 10V K	1	
	C249	CK73HBB1E103K	C CAPACITOR	0.01uF 25V K	1	
	C250	NCJ21CK-106X-R	C CAPACITOR	10uF 16V K	1	
	C251	CK73HBB1A104K	C CAPACITOR	0.1uF 10V K	1	
	C252	CK73HBB1A104K	C CAPACITOR	0.1uF 10V K	1	
	C253	CK73HBB1A104K	C CAPACITOR	0.1uF 10V K	1	
	C254	CK73HBB1E103K	C CAPACITOR	0.01uF 25V K	1	
	C255	CK73HBB1A104K	C CAPACITOR	0.1uF 10V K	1	
	C256	CK73HBB1A104K	C CAPACITOR	0.1uF 10V K	1	
	C257	CK73HBB1A104K	C CAPACITOR	0.1uF 10V K	1	
	C258	CK73HBB1A104K	C CAPACITOR	0.1uF 10V K	1	
	C259	CK73HBB1A104K	C CAPACITOR	0.1uF 10V K	1	
	C260	CK73HBB1A104K	C CAPACITOR	0.1uF 10V K	1	
	C261	CK73HBB1A104K	C CAPACITOR	0.1uF 10V K	1	
	C262	NCJ21CK-106X-R	C CAPACITOR	10uF 16V K	1	
	C263	CK73HBB1A104K	C CAPACITOR	0.1uF 10V K	1	
	C264	CK73HBB1A104K	C CAPACITOR	0.1uF 10V K	1	
	C265	CK73HBB1A104K	C CAPACITOR	0.1uF 10V K	1	
	C266	CK73HBB1E103K	C CAPACITOR	0.01uF 25V K	1	
	C267	CK73HBB1A104K	C CAPACITOR	0.1uF 10V K	1	
	C268	CK73HBB1A104K	C CAPACITOR	0.1uF 10V K	1	
	C269	NCJ21CK-106X-R	C CAPACITOR	10uF 16V K	1	
	C270	CK73HBB1A104K	C CAPACITOR	0.1uF 10V K	1	
	C271	CK73HBB1E103K	C CAPACITOR	0.01uF 25V K	1	
	C273	NCJ21CK-106X-R	C CAPACITOR	10uF 16V K	1	
	C274	NCJ21CK-106X-R	C CAPACITOR	10uF 16V K	1	
	C275	CK73HBB1A104K	C CAPACITOR	0.1uF 10V K	1	
	C276	CK73HBB1A104K	C CAPACITOR	0.1uF 10V K	1	
	C277	CK73HBB1E103K	C CAPACITOR	0.01uF 25V K	1	
	C278	CK73HBB1E103K	C CAPACITOR	0.01uF 25V K	1	
	C279	CK73HBB1A104K	C CAPACITOR	0.1uF 10V K	1	
	C280	CK73HBB1A104K	C CAPACITOR	0.1uF 10V K	1	
	C281	CK73HBB1A104K	C CAPACITOR	0.1uF 10V K	1	
	C282	CK73HBB1A104K	C CAPACITOR	0.1uF 10V K	1	
	C283	CK73HBB1A104K	C CAPACITOR	0.1uF 10V K	1	
	C284	CK73HBB1A104K	C CAPACITOR	0.1uF 10V K	1	
	C285	NCJ21CK-106X-R	C CAPACITOR	10uF 16V K	1	
	C286	CK73HBB1A104K	C CAPACITOR	0.1uF 10V K	1	
	C287	CK73HBB1A104K	C CAPACITOR	0.1uF 10V K	1	
	C288	CK73HBB1A104K	C CAPACITOR	0.1uF 10V K	1	
	C289	CK73HBB1E103K	C CAPACITOR	0.01uF 25V K	1	
	C290	CK73HBB1A104K	C CAPACITOR	0.1uF 10V K	1	
	C291	CK73HBB1A104K	C CAPACITOR	0.1uF 10V K	1	
	C292	NCJ21CK-106X-R	C CAPACITOR	10uF 16V K	1	
	C293	CK73HBB1A104K	C CAPACITOR	0.1uF 10V K	1	
	C294	CK73HBB1A104K	C CAPACITOR	0.1uF 10V K	1	
	C295	CK73HBB1A104K	C CAPACITOR	0.1uF 10V K	1	
	C296	CK73HBB1E103K	C CAPACITOR	0.01uF 25V K	1	
	C297	CK73HBB1A104K	C CAPACITOR	0.1uF 10V K	1	
	C405	CK73HBB1A104K	C CAPACITOR	0.1uF 10V K	1	
	C422	CK73HXR0J105K	C CAPACITOR	1uF 6.3V K	1	
	C423	NCJ20JM-226X-A	C CAPACITOR	22uF 6.3V M	1	
	C430	NCJ20JM-226X-A	C CAPACITOR	22uF 6.3V M	1	
	C431	NCJ20JM-226X-A	C CAPACITOR	22uF 6.3V M	1	
	C493	CK73HXR0J105K	C CAPACITOR	1uF 6.3V K	1	
	C494	NCJ20JM-226X-A	C CAPACITOR	22uF 6.3V M	1	
	C496	NCJ21CK-106X-R	C CAPACITOR	10uF 16V K	1	
	C497	NCJ21CK-106X-R	C CAPACITOR	10uF 16V K	1	
	C498	CK73HXR0J105K	C CAPACITOR	1uF 6.3V K	1	
	C500	NCJ21CK-106X-R	C CAPACITOR	10uF 16V K	1	
	C501	CK73HBB1A104K	C CAPACITOR	0.1uF 10V K	1	
	C502	CK73HBB1A104K	C CAPACITOR	0.1uF 10V K	1	
	C503	CK73HBB1A104K	C CAPACITOR	0.1uF 10V K	1	
	C504	CK73HBB1A104K	C CAPACITOR	0.1uF 10V K	1	
	C505	CK73HBB1A104K	C CAPACITOR	0.1uF 10V K	1	
	C508	CK73HBB1E103K	C CAPACITOR	0.01uF 25V K	1	
	C509	CK73HBB1A104K	C CAPACITOR	0.1uF 10V K	1	
	C510	NCJ21CK-106X-R	C CAPACITOR	10uF 16V K	1	
	C511	CK73HBB1A104K	C CAPACITOR	0.1uF 10V K	1	
	C512	CK73HBB1A104K	C CAPACITOR	0.1uF 10V K	1	
	C514	CK73HBB1A104K	C CAPACITOR	0.1uF 10V K	1	
	C515	CK73HBB1A104K	C CAPACITOR	0.1uF 10V K	1	
	C516	CK73HXR0J105K	C CAPACITOR	1uF 6.3V K	1	
	C517	CK73HXR0J105K	C CAPACITOR	1uF 6.3V K	1	

MODEL	MARK	MODEL	MARK	MODEL	MARK	MODEL	MARK
DNX7250DAB	E1	DNX7710BT	R1	DNX771HD	K1	DNX891HD	K0

Safe	Symbol No.	Parts No.	Parts Name	Description	QTY	Local
C518		CK73HBB1A104K	C CAPACITOR	0.1uF 10V K	1	
C519		CK73HBB1A104K	C CAPACITOR	0.1uF 10V K	1	
C520		CK73HXR0J105K	C CAPACITOR	1uF 6.3V K	1	
C521		CK73HXR0J105K	C CAPACITOR	1uF 6.3V K	1	
C522		CK73HXR0J105K	C CAPACITOR	1uF 6.3V K	1	
C523		CK73HXR0J105K	C CAPACITOR	1uF 6.3V K	1	
C524		CK73HBB1A104K	C CAPACITOR	0.1uF 10V K	1	
C525		CK73HBB1A104K	C CAPACITOR	0.1uF 10V K	1	
C526		CK73HXR0J105K	C CAPACITOR	1uF 6.3V K	1	
C527		CK73HXR0J105K	C CAPACITOR	1uF 6.3V K	1	
C528		CK73HXR0J105K	C CAPACITOR	1uF 6.3V K	1	
C529		CK73HXR0J105K	C CAPACITOR	1uF 6.3V K	1	
C530		CK73HXR0J105K	C CAPACITOR	1uF 6.3V K	1	
C531		CK73HXR0J105K	C CAPACITOR	1uF 6.3V K	1	
C532		CK73HBB1A104K	C CAPACITOR	0.1uF 10V K	1	
C533		CK73HBB1A104K	C CAPACITOR	0.1uF 10V K	1	
C534		CK73HXR0J105K	C CAPACITOR	1uF 6.3V K	1	
C535		CK73HXR0J105K	C CAPACITOR	1uF 6.3V K	1	
C536		CK73HBB1A104K	C CAPACITOR	0.1uF 10V K	1	
C537		CK73HBB1A104K	C CAPACITOR	0.1uF 10V K	1	
C538		CK73HXR0J105K	C CAPACITOR	1uF 6.3V K	1	
C539		CK73HXR0J105K	C CAPACITOR	1uF 6.3V K	1	
C540		CK73HBB1A104K	C CAPACITOR	0.1uF 10V K	1	
C541		CK73HBB1A104K	C CAPACITOR	0.1uF 10V K	1	
C542		CK73HXR0J105K	C CAPACITOR	1uF 6.3V K	1	
C543		CK73HXR0J105K	C CAPACITOR	1uF 6.3V K	1	
C544		CK73HBB1A104K	C CAPACITOR	0.1uF 10V K	1	
C545		CK73HBB1A104K	C CAPACITOR	0.1uF 10V K	1	
C546		CK73HXR0J105K	C CAPACITOR	1uF 6.3V K	1	
C547		CK73HXR0J105K	C CAPACITOR	1uF 6.3V K	1	
C548		CK73HXR0J105K	C CAPACITOR	1uF 6.3V K	1	
C549		CK73HXR0J105K	C CAPACITOR	1uF 6.3V K	1	
C550		NCJ21CK-106X-R	C CAPACITOR	10uF 16V K	1	
C551		NCJ21CK-106X-R	C CAPACITOR	10uF 16V K	1	
C552		CK73EXR0J476M	C CAPACITOR	47uF 6.3V M	1	
C553		CK73EXR0J476M	C CAPACITOR	47uF 6.3V M	1	
C554		CK73EXR0J476M	C CAPACITOR	47uF 6.3V M	1	
C555		CK73EXR0J476M	C CAPACITOR	47uF 6.3V M	1	
C556		CK73HBB1A104K	C CAPACITOR	0.1uF 10V K	1	
C557		CK73HBB1A104K	C CAPACITOR	0.1uF 10V K	1	
C558		CK73HXR0J105K	C CAPACITOR	1uF 6.3V K	1	
C559		CK73HBB1A104K	C CAPACITOR	0.1uF 10V K	1	
C560		CK73HBB1A104K	C CAPACITOR	0.1uF 10V K	1	
C561		CK73HXR0J105K	C CAPACITOR	1uF 6.3V K	1	
C562		CK73HBB1A104K	C CAPACITOR	0.1uF 10V K	1	
C563		CK73HBB1A104K	C CAPACITOR	0.1uF 10V K	1	
C564		CK73HXR0J105K	C CAPACITOR	1uF 6.3V K	1	
C565		CK73HXR0J105K	C CAPACITOR	1uF 6.3V K	1	
C566		CK73HXR0J105K	C CAPACITOR	1uF 6.3V K	1	
C567		CK73HXR0J105K	C CAPACITOR	1uF 6.3V K	1	
C568		CK73HXR0J105K	C CAPACITOR	1uF 6.3V K	1	
C569		CK73HBB1A104K	C CAPACITOR	0.1uF 10V K	1	
C570		CK73HBB1A104K	C CAPACITOR	0.1uF 10V K	1	
C571		CK73HXR0J105K	C CAPACITOR	1uF 6.3V K	1	
C572		CK73HXR0J105K	C CAPACITOR	1uF 6.3V K	1	
C573		CK73HXR0J105K	C CAPACITOR	1uF 6.3V K	1	
C574		CK73HXR0J105K	C CAPACITOR	1uF 6.3V K	1	
C575		CK73HXR0J105K	C CAPACITOR	1uF 6.3V K	1	
C576		CK73HBB1A104K	C CAPACITOR	0.1uF 10V K	1	
C577		CK73HBB1A104K	C CAPACITOR	0.1uF 10V K	1	
C578		CK73HXR0J105K	C CAPACITOR	1uF 6.3V K	1	
C579		CK73HXR0J105K	C CAPACITOR	1uF 6.3V K	1	
C580		CK73HBB1A104K	C CAPACITOR	0.1uF 10V K	1	
C581		CK73HBB1A104K	C CAPACITOR	0.1uF 10V K	1	
C582		CK73HXR0J105K	C CAPACITOR	1uF 6.3V K	1	
C583		CK73HXR0J105K	C CAPACITOR	1uF 6.3V K	1	
C584		CK73HXR0J105K	C CAPACITOR	1uF 6.3V K	1	
C585		CK73HBB1A104K	C CAPACITOR	0.1uF 10V K	1	
C586		CK73HBB1A104K	C CAPACITOR	0.1uF 10V K	1	
C587		CK73HXR0J105K	C CAPACITOR	1uF 6.3V K	1	
C588		CK73HBB1A104K	C CAPACITOR	0.1uF 10V K	1	
C589		CK73HBB1A104K	C CAPACITOR	0.1uF 10V K	1	
C590		CK73HXR0J105K	C CAPACITOR	1uF 6.3V K	1	
C591		CK73HXR0J105K	C CAPACITOR	1uF 6.3V K	1	
C600		CK73HXR0J105K	C CAPACITOR	1uF 6.3V K	1	
C601		CK73HXR0J105K	C CAPACITOR	1uF 6.3V K	1	
C634		NCJ21CK-106X-R	C CAPACITOR	10uF 16V K	1	
C635		CK73HXR0J105K	C CAPACITOR	1uF 6.3V K	1	
C636		CK73HBB1A104K	C CAPACITOR	0.1uF 10V K	1	
C700		CC73HCH1H470J	C CAPACITOR	47pF 50V J	1	
C701		CC73HCH1H820J	C CAPACITOR	82pF 50V J	1	
C702		CC73HCH1H470J	C CAPACITOR	47pF 50V J	1	
C703		CC73HCH1H470J	C CAPACITOR	47pF 50V J	1	
C704		CC73HCH1H470J	C CAPACITOR	47pF 50V J	1	
C705		CC73HCH1H470J	C CAPACITOR	47pF 50V J	1	
C706		CK73HBB1A104K	C CAPACITOR	0.1uF 10V K	1	
C709		CC73HCH1H220J	C CAPACITOR	22pF 50V J	1	
C710		CC73HCH1H220J	C CAPACITOR	22pF 50V J	1	
C711		CC73HCH1H150J	C CAPACITOR	15pF 50V J	1	
C712		CC73HCH1H050C	C CAPACITOR	5pF 50V C	1	
C713		CK73HBB1E103K	C CAPACITOR	0.01uF 25V K	1	
C714		CK73HBB1E103K	C CAPACITOR	0.01uF 25V K	1	
C717		CK73HBB1E103K	C CAPACITOR	0.01uF 25V K	1	

MODEL	MARK	MODEL	MARK	MODEL	MARK	MODEL	MARK
DNX7250DAB	E1	DNX7710BT	R1	DNX771HD	K1	DNX891HD	K0

Safe	Symbol No.	Parts No.	Parts Name	Description	QTY	Local
	C719	CK73HBB1E103K	C CAPACITOR	0.01uF 25V K	1	
	C752	CC73HCH1H470J	C CAPACITOR	47pF 50V J	1	
	C918	CK73HBB1A104K	C CAPACITOR	0.1uF 10V K	1	
	C919	CK73HXR0J105K	C CAPACITOR	1uF 6.3V K	1	
	C920	NCJ21CK-106X-R	C CAPACITOR	10uF 16V K	1	
	C925	CK73HBB1H102K	C CAPACITOR	1000pF 50V K	1	R1,K0
	C950	CK73EXR0J476M	C CAPACITOR	47uF 6.3V M	1	
	C952	CK73HBB1H102K	C CAPACITOR	1000pF 50V K	1	R1,K0
	C953	CK73HBB1H102K	C CAPACITOR	1000pF 50V K	1	
	R2	RK73GB2A000J	MG RESISTOR	0Ω 1/10W J	1	
	R3	RK73GB2A000J	MG RESISTOR	0Ω 1/10W J	1	
	R7	RK73HH1J750D	MG RESISTOR	75Ω 1/16W D	1	
	R8	RK73HH1J750D	MG RESISTOR	75Ω 1/16W D	1	
	R10	RK73HH1J471D	MG RESISTOR	470Ω 1/16W D	1	
	R15	RK73HB1J223J	MG RESISTOR	22kΩ 1/16W J	1	
	R21	RK73HB1J223J	MG RESISTOR	22kΩ 1/16W J	1	
	R28	RK73GH2A362D	MG RESISTOR	3.6kΩ 1/10W D	1	
	R30	RK73HB1J223J	MG RESISTOR	22kΩ 1/16W J	1	
	R31	RK73HB1J223J	MG RESISTOR	22kΩ 1/16W J	1	
	R32	RK73GH2A201D	MG RESISTOR	200Ω 1/10W D	1	
	R33	RK73HB1J102J	MG RESISTOR	1kΩ 1/16W J	1	
	R36	RK73HB1J102J	MG RESISTOR	1kΩ 1/16W J	1	
	R38	RK73HH1J750D	MG RESISTOR	75Ω 1/16W D	1	
	R39	RK73HH1J750D	MG RESISTOR	75Ω 1/16W D	1	
	R43	RK73HH1J750D	MG RESISTOR	75Ω 1/16W D	1	
	R44	RK73HB1J000J	MG RESISTOR	0Ω 1/16W J	1	
	R45	RK73HB1J000J	MG RESISTOR	0Ω 1/16W J	1	
	R46	RK73HB1J000J	MG RESISTOR	0Ω 1/16W J	1	
	R55	RK73HB1J103J	MG RESISTOR	10kΩ 1/16W J	1	R1,K0
	R58	RK73HH1J122D	MG RESISTOR	1.2kΩ 1/16W D	1	
	R60	RK73HB1J220J	MG RESISTOR	22Ω 1/16W J	1	
	R61	RK73HB1J220J	MG RESISTOR	22Ω 1/16W J	1	
	R62	RK73HB1J220J	MG RESISTOR	22Ω 1/16W J	1	
	R63	RK73HB1J220J	MG RESISTOR	22Ω 1/16W J	1	
	R64	RK73HB1J272J	MG RESISTOR	2.7kΩ 1/16W J	1	
	R65	RK73HB1J272J	MG RESISTOR	2.7kΩ 1/16W J	1	E1,K1
	R66	RK73HB1J272J	MG RESISTOR	2.7kΩ 1/16W J	1	
	R67	RK73HB1J220J	MG RESISTOR	22Ω 1/16W J	1	
	R68	RK73HB1J330J	MG RESISTOR	33Ω 1/16W J	1	
	R69	RK73HB1J330J	MG RESISTOR	33Ω 1/16W J	1	
	R70	RK73HB1J330J	MG RESISTOR	33Ω 1/16W J	1	
	R72	RK73HB1J272J	MG RESISTOR	2.7kΩ 1/16W J	1	
	R80	RK73GB2A000J	MG RESISTOR	0Ω 1/10W J	1	
	R81	RK73HB1J000J	MG RESISTOR	0Ω 1/16W J	1	
	R83	RK73HB1J151J	MG RESISTOR	150Ω 1/16W J	1	
	R84	RK73FB2B101J	MG RESISTOR	100Ω 1/8W J	1	
	R85	RK73GB2A000J	MG RESISTOR	0Ω 1/10W J	1	
	R86	RK73GB2A000J	MG RESISTOR	0Ω 1/10W J	1	
	R101	RK73HB1J122J	MG RESISTOR	1.2kΩ 1/16W J	1	
	R102	RK73HB1J105J	MG RESISTOR	1MΩ 1/16W J	1	
	R104	RK73HB1J330J	MG RESISTOR	33Ω 1/16W J	1	
	R111	RK73HB1J000J	MG RESISTOR	0Ω 1/16W J	1	
	R113	RK73HB1J000J	MG RESISTOR	0Ω 1/16W J	1	
	R114	RK73HB1J000J	MG RESISTOR	0Ω 1/16W J	1	
	R115	RK73HB1J330J	MG RESISTOR	33Ω 1/16W J	1	
	R116	RK73HB1J101J	MG RESISTOR	100Ω 1/16W J	1	
	R117	RK73HB1J272J	MG RESISTOR	2.7kΩ 1/16W J	1	
	R118	RK73HB1J101J	MG RESISTOR	100Ω 1/16W J	1	
	R119	RK73HB1J330J	MG RESISTOR	33Ω 1/16W J	1	
	R120	RK73HB1J330J	MG RESISTOR	33Ω 1/16W J	1	
	R122	RK73HB1J330J	MG RESISTOR	33Ω 1/16W J	1	
	R123	RK73HB1J330J	MG RESISTOR	33Ω 1/16W J	1	
	R124	RK73HB1J272J	MG RESISTOR	2.7kΩ 1/16W J	1	
	R125	RK73HB1J680J	MG RESISTOR	68Ω 1/16W J	1	
	R126	RK73HB1J680J	MG RESISTOR	68Ω 1/16W J	1	
	R127	RK73HB1J000J	MG RESISTOR	0Ω 1/16W J	1	
	R128	RK73HB1J471J	MG RESISTOR	470Ω 1/16W J	1	
	R129	RK73HB1J220J	MG RESISTOR	22Ω 1/16W J	1	
	R130	RK73HB1J220J	MG RESISTOR	22Ω 1/16W J	1	
	R317	RK73HB1J000J	MG RESISTOR	0Ω 1/16W J	1	
	R318	RK73HB1J000J	MG RESISTOR	0Ω 1/16W J	1	
	R396	RK73HH1J103D	MG RESISTOR	10kΩ 1/16W D	1	
	R397	RK73HH1J103D	MG RESISTOR	10kΩ 1/16W D	1	
	R400	RK73HB1J223J	MG RESISTOR	22kΩ 1/16W J	1	
	R402	RK73HB1J473J	MG RESISTOR	47kΩ 1/16W J	1	
	R403	RK73HB1J473J	MG RESISTOR	47kΩ 1/16W J	1	
	R405	RK73HB1J473J	MG RESISTOR	47kΩ 1/16W J	1	
	R412	RK73HB1J000J	MG RESISTOR	0Ω 1/16W J	1	
	R491	RK73HB1J151J	MG RESISTOR	150Ω 1/16W J	1	
	R492	RK73GB2A221J	MG RESISTOR	220Ω 1/10W J	1	
	R500	RK73HB1J332J	MG RESISTOR	3.3kΩ 1/16W J	1	
	R501	RK73HB1J220J	MG RESISTOR	22Ω 1/16W J	1	
	R502	RK73HB1J220J	MG RESISTOR	22Ω 1/16W J	1	
	R503	RK73HB1J220J	MG RESISTOR	22Ω 1/16W J	1	
	R504	RK73HB1J220J	MG RESISTOR	22Ω 1/16W J	1	
	R505	RK73HB1J220J	MG RESISTOR	22Ω 1/16W J	1	
	R506	RK73HB1J220J	MG RESISTOR	22Ω 1/16W J	1	
	R507	RK73HB1J220J	MG RESISTOR	22Ω 1/16W J	1	
	R508	RK73HB1J220J	MG RESISTOR	22Ω 1/16W J	1	
	R509	RK73HB1J272J	MG RESISTOR	2.7kΩ 1/16W J	1	
	R510	RK73HB1J220J	MG RESISTOR	22Ω 1/16W J	1	
	R511	RK73HB1J220J	MG RESISTOR	22Ω 1/16W J	1	

MODEL	MARK	MODEL	MARK	MODEL	MARK	MODEL	MARK
DNX7250DAB	E1	DNX7710BT	R1	DNX771HD	K1	DNX891HD	K0

Safe	Symbol No.	Parts No.	Parts Name	Description	QTY	Local
	R512	RK73HB1J220J	MG RESISTOR	22Ω 1/16W J	1	
	R513	RK73HB1J220J	MG RESISTOR	22Ω 1/16W J	1	
	R514	RK73HB1J272J	MG RESISTOR	2.7kΩ 1/16W J	1	
	R515	RK73HB1J220J	MG RESISTOR	22Ω 1/16W J	1	
	R516	RK73HB1J220J	MG RESISTOR	22Ω 1/16W J	1	
	R517	RK73HB1J220J	MG RESISTOR	22Ω 1/16W J	1	
	R518	RK73HB1J223J	MG RESISTOR	22kΩ 1/16W J	1	
	R519	RK73HB1J223J	MG RESISTOR	22kΩ 1/16W J	1	
	R520	RK73HB1J223J	MG RESISTOR	22kΩ 1/16W J	1	
	R521	RK73HB1J223J	MG RESISTOR	22kΩ 1/16W J	1	
	R522	RK73HB1J223J	MG RESISTOR	22kΩ 1/16W J	1	
	R523	RK73HB1J220J	MG RESISTOR	22Ω 1/16W J	1	
	R526	RK73HB1J220J	MG RESISTOR	22Ω 1/16W J	1	
	R527	RK73HB1J101J	MG RESISTOR	100Ω 1/16W J	1	
	R528	RK73HB1J220J	MG RESISTOR	22Ω 1/16W J	1	
	R529	RK73HB1J220J	MG RESISTOR	22Ω 1/16W J	1	
	R536	RK73HB1J220J	MG RESISTOR	22Ω 1/16W J	1	
	R537	RK73HB1J220J	MG RESISTOR	22Ω 1/16W J	1	
	R538	RK73HB1J220J	MG RESISTOR	22Ω 1/16W J	1	
	R539	RK73HB1J220J	MG RESISTOR	22Ω 1/16W J	1	
	R540	RK73HB1J220J	MG RESISTOR	22Ω 1/16W J	1	
	R541	RK73HB1J330J	MG RESISTOR	33Ω 1/16W J	1	
	R542	RK73HB1J220J	MG RESISTOR	22Ω 1/16W J	1	
	R543	RK73HB1J000J	MG RESISTOR	0Ω 1/16W J	1	
	R544	RK73HB1J220J	MG RESISTOR	22Ω 1/16W J	1	
	R545	RK73HB1J220J	MG RESISTOR	22Ω 1/16W J	1	
	R546	RK73HB1J220J	MG RESISTOR	22Ω 1/16W J	1	
	R547	RK73HB1J220J	MG RESISTOR	22Ω 1/16W J	1	
	R548	RK73HB1J220J	MG RESISTOR	22Ω 1/16W J	1	
	R549	RK73HB1J220J	MG RESISTOR	22Ω 1/16W J	1	
	R550	RK73HB1J220J	MG RESISTOR	22Ω 1/16W J	1	
	R551	RK73HB1J220J	MG RESISTOR	22Ω 1/16W J	1	
	R552	RK73HB1J220J	MG RESISTOR	22Ω 1/16W J	1	
	R553	RK73HB1J220J	MG RESISTOR	22Ω 1/16W J	1	
	R554	RK73HB1J220J	MG RESISTOR	22Ω 1/16W J	1	
	R555	RK73HB1J220J	MG RESISTOR	22Ω 1/16W J	1	
	R556	RK73HB1J000J	MG RESISTOR	0Ω 1/16W J	1	
	R557	RK73HB1J000J	MG RESISTOR	0Ω 1/16W J	1	
	R558	RK73HB1J220J	MG RESISTOR	22Ω 1/16W J	1	
	R559	RK73HB1J220J	MG RESISTOR	22Ω 1/16W J	1	
	R560	RK73HB1J220J	MG RESISTOR	22Ω 1/16W J	1	
	R561	RK73HB1J220J	MG RESISTOR	22Ω 1/16W J	1	
	R562	RK73HB1J220J	MG RESISTOR	22Ω 1/16W J	1	
	R563	RK73HB1J220J	MG RESISTOR	22Ω 1/16W J	1	
	R564	RK73HB1J000J	MG RESISTOR	0Ω 1/16W J	1	
	R565	RK73HB1J000J	MG RESISTOR	0Ω 1/16W J	1	
	R566	RK73HB1J220J	MG RESISTOR	22Ω 1/16W J	1	
	R567	RK73HB1J220J	MG RESISTOR	22Ω 1/16W J	1	
	R568	RK73HB1J220J	MG RESISTOR	22Ω 1/16W J	1	
	R569	RK73HH1J241D	MG RESISTOR	240Ω 1/16W D	1	
	R570	RK73HB1J103J	MG RESISTOR	10kΩ 1/16W J	1	
	R571	RK73HH1J103D	MG RESISTOR	10kΩ 1/16W D	1	
	R572	RK73HH1J103D	MG RESISTOR	10kΩ 1/16W D	1	
	R575	RK73HB1J272J	MG RESISTOR	2.7kΩ 1/16W J	1	
	R577	RK73HB1J220J	MG RESISTOR	22Ω 1/16W J	1	
	R578	RK73HB1J220J	MG RESISTOR	22Ω 1/16W J	1	
	R579	RK73HB1J220J	MG RESISTOR	22Ω 1/16W J	1	
	R580	RK73HB1J220J	MG RESISTOR	22Ω 1/16W J	1	
	R581	RK73HB1J220J	MG RESISTOR	22Ω 1/16W J	1	
	R582	RK73HB1J220J	MG RESISTOR	22Ω 1/16W J	1	
	R583	RK73HB1J220J	MG RESISTOR	22Ω 1/16W J	1	
	R584	RK73HB1J220J	MG RESISTOR	22Ω 1/16W J	1	
	R585	RK73HB1J220J	MG RESISTOR	22Ω 1/16W J	1	
	R586	RK73HB1J220J	MG RESISTOR	22Ω 1/16W J	1	
	R587	RK73HB1J220J	MG RESISTOR	22Ω 1/16W J	1	
	R588	RK73HB1J220J	MG RESISTOR	22Ω 1/16W J	1	
	R589	RK73HB1J220J	MG RESISTOR	22Ω 1/16W J	1	
	R590	RK73HB1J220J	MG RESISTOR	22Ω 1/16W J	1	
	R591	RK73HB1J220J	MG RESISTOR	22Ω 1/16W J	1	
	R592	RK73HB1J220J	MG RESISTOR	22Ω 1/16W J	1	
	R593	RK73HB1J101J	MG RESISTOR	100Ω 1/16W J	1	
	R594	RK73HB1J220J	MG RESISTOR	22Ω 1/16W J	1	
	R595	RK73HB1J220J	MG RESISTOR	22Ω 1/16W J	1	
	R596	RK73HB1J220J	MG RESISTOR	22Ω 1/16W J	1	
	R597	RK73HB1J220J	MG RESISTOR	22Ω 1/16W J	1	
	R598	RK73HB1J220J	MG RESISTOR	22Ω 1/16W J	1	
	R599	RK73HB1J220J	MG RESISTOR	22Ω 1/16W J	1	
	R600	RK73HB1J102J	MG RESISTOR	1kΩ 1/16W J	1	
	R601	RK73HB1J272J	MG RESISTOR	2.7kΩ 1/16W J	1	
	R602	RK73HB1J103J	MG RESISTOR	10kΩ 1/16W J	1	
	R603	RK73HB1J472J	MG RESISTOR	4.7kΩ 1/16W J	1	
	R650	RK73HB1J220J	MG RESISTOR	22Ω 1/16W J	1	
	R670	RK73HB1J220J	MG RESISTOR	22Ω 1/16W J	1	
	R700	RK73HB1J220J	MG RESISTOR	22Ω 1/16W J	1	
	R701	RK73HB1J470J	MG RESISTOR	47Ω 1/16W J	1	
	R703	RK73HB1J223J	MG RESISTOR	22kΩ 1/16W J	1	
	R704	RK73HB1J223J	MG RESISTOR	22kΩ 1/16W J	1	
	R708	RK73HB1J220J	MG RESISTOR	22Ω 1/16W J	1	
	R709	RK73HB1J272J	MG RESISTOR	2.7kΩ 1/16W J	1	
	R710	RK73HB1J272J	MG RESISTOR	2.7kΩ 1/16W J	1	
	R711	RK73HB1J272J	MG RESISTOR	2.7kΩ 1/16W J	1	
	R712	RK73HB1J272J	MG RESISTOR	2.7kΩ 1/16W J	1	

MODEL	MARK	MODEL	MARK	MODEL	MARK	MODEL	MARK
DNX7250DAB	E1	DNX7710BT	R1	DNX771HD	K1	DNX891HD	K0

Safe	Symbol No.	Parts No.	Parts Name	Description	QTY	Local
	R713	RK73HB1J272J	MG RESISTOR	2.7kΩ 1/16W J	1	
	R714	RK73HB1J223J	MG RESISTOR	22kΩ 1/16W J	1	
	R716	RK73HB1J220J	MG RESISTOR	22Ω 1/16W J	1	
	R717	RK73HB1J220J	MG RESISTOR	22Ω 1/16W J	1	
	R718	RK73HB1J223J	MG RESISTOR	22kΩ 1/16W J	1	
	R719	RK73HB1J223J	MG RESISTOR	22kΩ 1/16W J	1	
	R720	RK73HB1J272J	MG RESISTOR	2.7kΩ 1/16W J	1	
	R721	RK73HB1J220J	MG RESISTOR	22Ω 1/16W J	1	
	R722	RK73HB1J220J	MG RESISTOR	22Ω 1/16W J	1	
	R727	RK73HB1J220J	MG RESISTOR	22Ω 1/16W J	1	
	R728	RK73HB1J220J	MG RESISTOR	22Ω 1/16W J	1	
	R729	RK73HB1J220J	MG RESISTOR	22Ω 1/16W J	1	
	R730	RK73HB1J220J	MG RESISTOR	22Ω 1/16W J	1	
	R732	RK73HB1J220J	MG RESISTOR	22Ω 1/16W J	1	
	R733	RK73HB1J220J	MG RESISTOR	22Ω 1/16W J	1	
	R735	RK73HB1J220J	MG RESISTOR	22Ω 1/16W J	1	
	R736	RK73HB1J220J	MG RESISTOR	22Ω 1/16W J	1	
	R737	RK73HB1J220J	MG RESISTOR	22Ω 1/16W J	1	
	R738	RK73HB1J101J	MG RESISTOR	100Ω 1/16W J	1	
	R739	RK73HB1J101J	MG RESISTOR	100Ω 1/16W J	1	
	R740	RK73HB1J101J	MG RESISTOR	100Ω 1/16W J	1	
	R741	RK73HB1J220J	MG RESISTOR	22Ω 1/16W J	1	
	R743	RK73HB1J220J	MG RESISTOR	22Ω 1/16W J	1	
	R746	RK73HB1J220J	MG RESISTOR	22Ω 1/16W J	1	
	R747	RK73HB1J220J	MG RESISTOR	22Ω 1/16W J	1	
	R750	RK73HB1J220J	MG RESISTOR	22Ω 1/16W J	1	
	R751	RK73HB1J220J	MG RESISTOR	22Ω 1/16W J	1	
	R754	RK73HB1J220J	MG RESISTOR	22Ω 1/16W J	1	
	R758	RK73HB1J101J	MG RESISTOR	100Ω 1/16W J	1	
	R759	RK73HB1J101J	MG RESISTOR	100Ω 1/16W J	1	
	R760	RK73HB1J101J	MG RESISTOR	100Ω 1/16W J	1	
	R761	RK73HB1J220J	MG RESISTOR	22Ω 1/16W J	1	
	R762	RK73HB1J220J	MG RESISTOR	22Ω 1/16W J	1	
	R767	RK73HB1J220J	MG RESISTOR	22Ω 1/16W J	1	
	R768	RK73HB1J220J	MG RESISTOR	22Ω 1/16W J	1	
	R769	RK73HB1J220J	MG RESISTOR	22Ω 1/16W J	1	
	R770	RK73HB1J220J	MG RESISTOR	22Ω 1/16W J	1	
	R771	RK73HB1J103J	MG RESISTOR	10kΩ 1/16W J	1	
	R775	RK73HH1J44R2D	MG RESISTOR	44.2Ω 1/16W D	1	
	R776	RK73HH1J44R2D	MG RESISTOR	44.2Ω 1/16W D	1	
	R777	RK73HB1J472J	MG RESISTOR	4.7kΩ 1/16W J	1	
	R778	RK73HB1J472J	MG RESISTOR	4.7kΩ 1/16W J	1	
	R779	RK73HB1J472J	MG RESISTOR	4.7kΩ 1/16W J	1	
	R781	RK73HB1J222J	MG RESISTOR	2.2kΩ 1/16W J	1	
	R782	RK73HB1J222J	MG RESISTOR	2.2kΩ 1/16W J	1	
	R784	RK73HB1J220J	MG RESISTOR	22Ω 1/16W J	1	
	R789	RK73HB1J222J	MG RESISTOR	2.2kΩ 1/16W J	1	
	R790	RK73GB2A106J	MG RESISTOR	10MΩ 1/10W J	1	
	R791	RK73HB1J334J	MG RESISTOR	330kΩ 1/16W J	1	
	R792	RK73HB1J182J	MG RESISTOR	1.8kΩ 1/16W J	1	
	R793	RK73HB1J182J	MG RESISTOR	1.8kΩ 1/16W J	1	
	R794	RK73HB1J223J	MG RESISTOR	22kΩ 1/16W J	1	
	R795	RK73HB1J223J	MG RESISTOR	22kΩ 1/16W J	1	
	R796	RK73HB1J223J	MG RESISTOR	22kΩ 1/16W J	1	
	R799	RK73HB1J105J	MG RESISTOR	1MΩ 1/16W J	1	
	R800	RK73HB1J000J	MG RESISTOR	0Ω 1/16W J	1	
	R801	RK73HB1J102J	MG RESISTOR	1kΩ 1/16W J	1	
	R804	RK73HB1J102J	MG RESISTOR	1kΩ 1/16W J	1	
	R806	RK73HB1J102J	MG RESISTOR	1kΩ 1/16W J	1	
	R807	RK73HB1J103J	MG RESISTOR	10kΩ 1/16W J	1	
	R808	RK73HB1J223J	MG RESISTOR	22kΩ 1/16W J	1	
	R809	RK73HB1J220J	MG RESISTOR	22Ω 1/16W J	1	
	R810	RK73HB1J223J	MG RESISTOR	22kΩ 1/16W J	1	
	R811	RK73HB1J220J	MG RESISTOR	22Ω 1/16W J	1	
	R812	RK73HB1J473J	MG RESISTOR	47kΩ 1/16W J	1	
	R813	RK73HB1J220J	MG RESISTOR	22Ω 1/16W J	1	
	R814	RK73HB1J222J	MG RESISTOR	2.2kΩ 1/16W J	1	
	R817	RK73HB1J220J	MG RESISTOR	22Ω 1/16W J	1	
	R818	RK73HB1J220J	MG RESISTOR	22Ω 1/16W J	1	
	R819	RK73HB1J473J	MG RESISTOR	47kΩ 1/16W J	1	
	R820	RK73HB1J220J	MG RESISTOR	22Ω 1/16W J	1	
	R821	RK73HB1J220J	MG RESISTOR	22Ω 1/16W J	1	
	R823	RK73HB1J220J	MG RESISTOR	22Ω 1/16W J	1	
	R824	RK73HB1J222J	MG RESISTOR	2.2kΩ 1/16W J	1	
	R828	RK73HB1J220J	MG RESISTOR	22Ω 1/16W J	1	
	R829	RK73HB1J220J	MG RESISTOR	22Ω 1/16W J	1	
	R830	RK73HB1J220J	MG RESISTOR	22Ω 1/16W J	1	
	R831	RK73HB1J220J	MG RESISTOR	22Ω 1/16W J	1	
	R832	RK73HB1J220J	MG RESISTOR	22Ω 1/16W J	1	
	R833	RK73HB1J473J	MG RESISTOR	47kΩ 1/16W J	1	
	R834	RK73HB1J220J	MG RESISTOR	22Ω 1/16W J	1	
	R835	RK73HB1J220J	MG RESISTOR	22Ω 1/16W J	1	
	R836	RK73HB1J220J	MG RESISTOR	22Ω 1/16W J	1	
	R837	RK73HB1J220J	MG RESISTOR	22Ω 1/16W J	1	
	R840	RK73HB1J272J	MG RESISTOR	2.7kΩ 1/16W J	1	
	R841	RK73HB1J102J	MG RESISTOR	1kΩ 1/16W J	1	
	R842	RK73HB1J102J	MG RESISTOR	1kΩ 1/16W J	1	
	R844	RK73HB1J220J	MG RESISTOR	22Ω 1/16W J	1	
	R845	RK73HB1J220J	MG RESISTOR	22Ω 1/16W J	1	
	R846	RK73HB1J220J	MG RESISTOR	22Ω 1/16W J	1	
	R847	RK73HB1J220J	MG RESISTOR	22Ω 1/16W J	1	
	R848	RK73HB1J223J	MG RESISTOR	22kΩ 1/16W J	1	
	R849	RK73HB1J220J	MG RESISTOR	22Ω 1/16W J	1	

MODEL	MARK	MODEL	MARK	MODEL	MARK	MODEL	MARK
DNX7250DAB	E1	DNX7710BT	R1	DNX771HD	K1	DNX891HD	K0

Safe	Symbol No.	Parts No.	Parts Name	Description	QTY	Local
	R851	RK73HB1J223J	MG RESISTOR	22kΩ 1/16W J	1	
	R852	RK73HB1J223J	MG RESISTOR	22kΩ 1/16W J	1	
	R853	RK73HB1J220J	MG RESISTOR	22Ω 1/16W J	1	
	R870	RK73HB1J272J	MG RESISTOR	2.7kΩ 1/16W J	1	
	R871	RK73HB1J223J	MG RESISTOR	22kΩ 1/16W J	1	
	R901	RK73HB1J223J	MG RESISTOR	22kΩ 1/16W J	1	
	R910	RK73HB1J272J	MG RESISTOR	2.7kΩ 1/16W J	1	
	R925	RK73HB1J473J	MG RESISTOR	47kΩ 1/16W J	1	
	R936	RK73HB1J000J	MG RESISTOR	0Ω 1/16W J	1	
	R937	RK73HB1J000J	MG RESISTOR	0Ω 1/16W J	1	
	R939	RK73HB1J000J	MG RESISTOR	0Ω 1/16W J	1	
	R940	RK73HB1J000J	MG RESISTOR	0Ω 1/16W J	1	
	R946	RK73HB1J220J	MG RESISTOR	22Ω 1/16W J	1	R1,K0
	R947	RK73HB1J220J	MG RESISTOR	22Ω 1/16W J	1	R1,K0
	R948	RK73GB2A000J	MG RESISTOR	0Ω 1/10W J	1	R1,K0
	R949	RK73GB2A000J	MG RESISTOR	0Ω 1/10W J	1	
	R950	RK73HB1J223J	MG RESISTOR	22kΩ 1/16W J	1	
	RA3	RK74HB1J220J	NET RESISTOR	22Ω 1/16W J	1	
	RA4	RK74HB1J220J	NET RESISTOR	22Ω 1/16W J	1	
	RA5	RK74HB1J220J	NET RESISTOR	22Ω 1/16W J	1	
	RA6	RK74HB1J220J	NET RESISTOR	22Ω 1/16W J	1	
	RA7	RK74HB1J220J	NET RESISTOR	22Ω 1/16W J	1	
	RA8	RK74HB1J220J	NET RESISTOR	22Ω 1/16W J	1	
	RA101	RK74HB1J330J	NET RESISTOR	33Ω 1/16W J	1	
	RA102	RK74HB1J330J	NET RESISTOR	33Ω 1/16W J	1	
	RA400	RK74HB1J473J	NET RESISTOR	47kΩ 1/16W J	1	
	RA501	RK74HB1J220J	NET RESISTOR	22Ω 1/16W J	1	
	RA502	RK74HB1J220J	NET RESISTOR	22Ω 1/16W J	1	
	RA503	RK74HB1J220J	NET RESISTOR	22Ω 1/16W J	1	
	RA504	RK74HB1J220J	NET RESISTOR	22Ω 1/16W J	1	
	RA505	RK74HB1J220J	NET RESISTOR	22Ω 1/16W J	1	
	RA506	RK74HB1J220J	NET RESISTOR	22Ω 1/16W J	1	
	RA507	RK74HB1J220J	NET RESISTOR	22Ω 1/16W J	1	
	RA508	RK74HB1J220J	NET RESISTOR	22Ω 1/16W J	1	
	RA700	RK74HB1J220J	NET RESISTOR	22Ω 1/16W J	1	
	RA900	RK74HB1J473J	NET RESISTOR	47kΩ 1/16W J	1	
	L1	LB73G0BK-002	CHIP FERRITE		1	
	L2	LB73G0BK-002	CHIP FERRITE		1	
	L3	LB73G0BK-002	CHIP FERRITE		1	
	L10	LB73G0BK-002	CHIP FERRITE		1	
	L101	LB73G0BK-002	CHIP FERRITE		1	
	L102	LB73G0BK-002	CHIP FERRITE		1	
	L103	LB73G0BK-002	CHIP FERRITE		1	
	L200	LB73G0BK-002	CHIP FERRITE		1	
	L202	LB73G0BK-002	CHIP FERRITE		1	
	L203	LB73G0BK-002	CHIP FERRITE		1	
	L204	LB73G0BK-002	CHIP FERRITE		1	
	L205	LB73G0BK-002	CHIP FERRITE		1	
	L206	LB73G0BK-002	CHIP FERRITE		1	
	L208	LB73G0BK-002	CHIP FERRITE		1	
	L209	LB73G0BK-002	CHIP FERRITE		1	
	L211	LB73G0BK-002	CHIP FERRITE		1	
	L212	LB73G0BK-002	CHIP FERRITE		1	
	L213	LB73G0BK-002	CHIP FERRITE		1	
	L215	LB73G0BK-002	CHIP FERRITE		1	
	L500	LB73G0BK-002	CHIP FERRITE		1	
	L501	LB73G0BK-002	CHIP FERRITE		1	
	L502	LB73G0BK-002	CHIP FERRITE		1	
	L503	LB73G0BK-002	CHIP FERRITE		1	
	L504	LB73G0BK-002	CHIP FERRITE		1	
	L700	LB73G0BK-002	CHIP FERRITE		1	
	L901	LB73G0BK-002	CHIP FERRITE		1	
	L904	NQR0654-001X	EMI FILTER		1	
	L905	NQR0654-001X	EMI FILTER		1	R1,K0
	CN101	QGF0534F7-60X	CONNECTOR	FFC/FPC (1-60)	1	
	CN102	QGA1002C1-04X	CONNECTOR	W-B (1-4)	1	
	CN400	QGF0534F7-20X	CONNECTOR	FFC/FPC (1-20)	1	
	CN601	QGB0812M9-70X	CONNECTOR	B-B (1-70)	1	
	CN604	QGF0534F7-14X	CONNECTOR	FFC/FPC (1-14)	1	
	CN901	QGA1217F1-10X	CONNECTOR	W-B (1-10)	1	R1,K0
	CN903	QGA2001F6-05X	CONNECTOR	W-B (1-5)	1	
	CN904	QGA1002C1-04X	CONNECTOR	W-B (1-4)	1	
	J900	NNZ0303-001X	MICRO SD CONNE		1	
	X101	NAX1260-001X	CRYSTAL		1	
	X700	NAX1256-001X	CRYSTAL		1	
	X701	NAX1240-001X	CRYSTAL		1	
HDMI PWB ASSY (LVA11315-01A) <HD>						
	IC100	-----	IC		1	
	IC101	THS8136PHP-W	IC		1	
	IC103	TC7SG04FU-X	IC		1	
	IC104	XC6213B182N-G	MOS IC		1	
	IC105	TC7SG86FU-X	IC(DIGITAL)		1	
	IC106	XC6220B121PG-X	IC		1	
	IC107	TC74VCX16244-X	IC		1	
	IC108	TC74VCX16244-X	IC		1	
	IC109	SII1292ACNUC	IC		1	
	IC111	XC6223B331PG-X	IC		1	
	Q100	SSM3K15AMFV-X	MOS FET		1	
	Q102	SSM3K15AMFV-X	MOS FET		1	
	Q103	LTA014YUB-X	DIGI TRANSISTOR		1	
	Q104	LTC014YUB-X	DIGI TRANSISTOR		1	
	Q105	2SB1697-W	SV-TRANSISTOR		1	

MODEL	MARK	MODEL	MARK	MODEL	MARK	MODEL	MARK
DNX7250DAB	E1	DNX7710BT	R1	DNX771HD	K1	DNX891HD	K0

Safe	Symbol No.	Parts No.	Parts Name	Description	QTY	Local
	D100	DA2J101	DIODE		1	
	D101	DA2J101	DIODE		1	
	D102	DA2J101	DIODE		1	
	D103	NAF0042-270X	VARISTOR(ZNR)		1	
	D105	DA2J101	DIODE		1	
	D106	NAF0042-270X	VARISTOR(ZNR)		1	
	D110	NAF0031-001X	SV--		1	
	D111	NAF0031-001X	SV--		1	
	C100	CK73HBB1A104K	C CAPACITOR	0.1uF 10V K	1	
	C101	CK73HBB1A104K	C CAPACITOR	0.1uF 10V K	1	
	C102	NCJ20JM-226X-A	C CAPACITOR	22uF 6.3V M	1	
	C103	CK73HBB1A104K	C CAPACITOR	0.1uF 10V K	1	
	C104	CK73HBB1A104K	C CAPACITOR	0.1uF 10V K	1	
	C105	CK73HBB1A104K	C CAPACITOR	0.1uF 10V K	1	
	C107	CK73HBB1A104K	C CAPACITOR	0.1uF 10V K	1	
	C109	CK73HBB1A104K	C CAPACITOR	0.1uF 10V K	1	
	C110	CK73GXR0J106M	C CAPACITOR	10uF 6.3V M	1	
	C111	CK73HXR0J105K	C CAPACITOR	1uF 6.3V K	1	
	C112	CK73HXR0J105K	C CAPACITOR	1uF 6.3V K	1	
	C113	CK73GXR0J106M	C CAPACITOR	10uF 6.3V M	1	
	C114	CK73HBB1A104K	C CAPACITOR	0.1uF 10V K	1	
	C115	CK73GXR0J106M	C CAPACITOR	10uF 6.3V M	1	
	C116	CK73HBB1A104K	C CAPACITOR	0.1uF 10V K	1	
	C117	NCJ20JM-226X-A	C CAPACITOR	22uF 6.3V M	1	
	C118	NCJ20JM-226X-A	C CAPACITOR	22uF 6.3V M	1	
	C119	CK73GXR0J106M	C CAPACITOR	10uF 6.3V M	1	
	C120	CC73HCH1H470J	C CAPACITOR	47pF 50V J	1	
	C121	CC73HCH1H470J	C CAPACITOR	47pF 50V J	1	
	C122	CK73GXR0J106M	C CAPACITOR	10uF 6.3V M	1	
	C123	CK73HXR0J105K	C CAPACITOR	1uF 6.3V K	1	
	C124	CK73HXR0J105K	C CAPACITOR	1uF 6.3V K	1	
	C125	CK73HBB1A104K	C CAPACITOR	0.1uF 10V K	1	
	C126	CK73HBB1A104K	C CAPACITOR	0.1uF 10V K	1	
	C127	CK73HBB1A104K	C CAPACITOR	0.1uF 10V K	1	
	C128	CK73HBB1A104K	C CAPACITOR	0.1uF 10V K	1	
	C129	CK73HBB1A104K	C CAPACITOR	0.1uF 10V K	1	
	C130	CK73HBB1A104K	C CAPACITOR	0.1uF 10V K	1	
	C131	CK73HBB1A104K	C CAPACITOR	0.1uF 10V K	1	
	C132	CK73HBB1A104K	C CAPACITOR	0.1uF 10V K	1	
	C133	CK73HBB1A104K	C CAPACITOR	0.1uF 10V K	1	
	C134	CK73HBB1A104K	C CAPACITOR	0.1uF 10V K	1	
	C135	CK73HBB1H102K	C CAPACITOR	1000pF 50V K	1	
	C136	CC73HCH1H100D	C CAPACITOR	10pF 50V D	1	
	C137	CC73HCH1H120J	C CAPACITOR	12pF 50V J	1	
	C138	NEZ0064-227X	OS E CAPACITOR	220uF	1	
	C139	CK73HBB1A104K	C CAPACITOR	0.1uF 10V K	1	
	C140	CK73HBB1E103K	C CAPACITOR	0.01uF 25V K	1	
	C141	CK73HBB1E103K	C CAPACITOR	0.01uF 25V K	1	
	C142	CK73HBB1E103K	C CAPACITOR	0.01uF 25V K	1	
	C143	CK73HBB1E103K	C CAPACITOR	0.01uF 25V K	1	
	C144	CK73HBB1A104K	C CAPACITOR	0.1uF 10V K	1	
	C145	CK73GXR0J106M	C CAPACITOR	10uF 6.3V M	1	
	C146	CK73HBB1C473K	C CAPACITOR	0.047uF 16V K	1	
	C147	CK73GXR0J106M	C CAPACITOR	10uF 6.3V M	1	
	C148	CK73HBB1H102K	C CAPACITOR	1000pF 50V K	1	
	C149	CK73HBB1A104K	C CAPACITOR	0.1uF 10V K	1	
	C150	CK73HBB1A104K	C CAPACITOR	0.1uF 10V K	1	
	C151	CK73HBB1E103K	C CAPACITOR	0.01uF 25V K	1	
	C152	CK73HBB1E103K	C CAPACITOR	0.01uF 25V K	1	
	C153	CK73HBB1E103K	C CAPACITOR	0.01uF 25V K	1	
	C154	CK73GXR0J106M	C CAPACITOR	10uF 6.3V M	1	
	C156	CK73HXR0J105K	C CAPACITOR	1uF 6.3V K	1	
	C157	CK73HXR0J105K	C CAPACITOR	1uF 6.3V K	1	
	R100	RK73HB1J000J	MG RESISTOR	0Ω 1/16W J	1	
	R101	RK73HB1J000J	MG RESISTOR	0Ω 1/16W J	1	
	R102	RK73HB1J000J	MG RESISTOR	0Ω 1/16W J	1	
	R103	RK73HH1J750D	MG RESISTOR	75Ω 1/16W D	1	
	R104	RK73HH1J750D	MG RESISTOR	75Ω 1/16W D	1	
	R105	RK73HH1J750D	MG RESISTOR	75Ω 1/16W D	1	
	R106	RK73HH1J201D	MG RESISTOR	200Ω 1/16W D	1	
	R107	RK73HB1J223J	MG RESISTOR	22kΩ 1/16W J	1	
	R108	RK73GB2A000J	MG RESISTOR	0Ω 1/10W J	1	
	R109	RK73HB1J223J	MG RESISTOR	22kΩ 1/16W J	1	
	R110	RK73GH2A362D	MG RESISTOR	3.6kΩ 1/10W D	1	
	R111	RK73HB1J100J	MG RESISTOR	10Ω 1/16W J	1	
	R116	RK73HB1J223J	MG RESISTOR	22kΩ 1/16W J	1	
	R117	RK73HB1J223J	MG RESISTOR	22kΩ 1/16W J	1	
	R118	RK73GB2A000J	MG RESISTOR	0Ω 1/10W J	1	
	R119	RK73GB2A000J	MG RESISTOR	0Ω 1/10W J	1	
	R120	RK73GB2A000J	MG RESISTOR	0Ω 1/10W J	1	
	R121	RK73HB1J220J	MG RESISTOR	22Ω 1/16W J	1	
	R122	RK73GB2A000J	MG RESISTOR	0Ω 1/10W J	1	
	R123	RK73HB1J220J	MG RESISTOR	22Ω 1/16W J	1	
	R124	RK73HB1J220J	MG RESISTOR	22Ω 1/16W J	1	
	R125	RK73HB1J470J	MG RESISTOR	47Ω 1/16W J	1	
	R126	RK73HB1J470J	MG RESISTOR	47Ω 1/16W J	1	
	R127	RK73HB1J220J	MG RESISTOR	22Ω 1/16W J	1	
	R128	RK73HB1J220J	MG RESISTOR	22Ω 1/16W J	1	
	R129	RK73HB1J220J	MG RESISTOR	22Ω 1/16W J	1	
	R130	RK73HB1J220J	MG RESISTOR	22Ω 1/16W J	1	
	R131	RK73HB1J220J	MG RESISTOR	22Ω 1/16W J	1	
	R132	RK73HB1J101J	MG RESISTOR	100Ω 1/16W J	1	

MODEL	MARK	MODEL	MARK	MODEL	MARK	MODEL	MARK
DNX7250DAB	E1	DNX7710BT	R1	DNX771HD	K1	DNX891HD	K0

Safe	Symbol No.	Parts No.	Parts Name	Description	QTY	Local
R133		RK73HB1J473J	MG RESISTOR	47kΩ 1/16W J	1	
R134		RK73HB1J472J	MG RESISTOR	4.7kΩ 1/16W J	1	
R135		RK73HB1J471J	MG RESISTOR	470Ω 1/16W J	1	
R136		RK73HB1J101J	MG RESISTOR	100Ω 1/16W J	1	
R137		RK73HB1J101J	MG RESISTOR	100Ω 1/16W J	1	
R139		RK73HB1J472J	MG RESISTOR	4.7kΩ 1/16W J	1	
R141		RK73HB1J472J	MG RESISTOR	4.7kΩ 1/16W J	1	
R143		RK73HB1J472J	MG RESISTOR	4.7kΩ 1/16W J	1	
R144		RK73HB1J472J	MG RESISTOR	4.7kΩ 1/16W J	1	
R145		RK73HB1J472J	MG RESISTOR	4.7kΩ 1/16W J	1	
R146		RK73HB1J182J	MG RESISTOR	1.8kΩ 1/16W J	1	
R149		RK73HB1J182J	MG RESISTOR	1.8kΩ 1/16W J	1	
R150		RK73HB1J102J	MG RESISTOR	1kΩ 1/16W J	1	
R151		RK73HB1J182J	MG RESISTOR	1.8kΩ 1/16W J	1	
R152		RK73HB1J222J	MG RESISTOR	2.2kΩ 1/16W J	1	
R153		RK73HB1J182J	MG RESISTOR	1.8kΩ 1/16W J	1	
R154		RK73FB2B000J	MG RESISTOR	0Ω 1/8W J	1	
R155		RK73HB1J5R1J	MG RESISTOR	5.1Ω 1/16W J	1	
R156		RK73HB1J101J	MG RESISTOR	100Ω 1/16W J	1	
R157		RK73HB1J5R1J	MG RESISTOR	5.1Ω 1/16W J	1	
R158		RK73HB1J101J	MG RESISTOR	100Ω 1/16W J	1	
R159		RK73HB1J5R1J	MG RESISTOR	5.1Ω 1/16W J	1	
R160		RK73HB1J5R1J	MG RESISTOR	5.1Ω 1/16W J	1	
R161		RK73HB1J103J	MG RESISTOR	10kΩ 1/16W J	1	
R162		RK73HB1J5R1J	MG RESISTOR	5.1Ω 1/16W J	1	
R163		RK73HB1J103J	MG RESISTOR	10kΩ 1/16W J	1	
R164		RK73HB1J5R1J	MG RESISTOR	5.1Ω 1/16W J	1	
R165		RK73HB1J5R1J	MG RESISTOR	5.1Ω 1/16W J	1	
R166		RK73HB1J5R1J	MG RESISTOR	5.1Ω 1/16W J	1	
R167		RK73HB1J101J	MG RESISTOR	100Ω 1/16W J	1	
R168		RK73GB2A000J	MG RESISTOR	0Ω 1/10W J	1	
R169		RK73HB1J104J	MG RESISTOR	100kΩ 1/16W J	1	
R170		RK73GB2A000J	MG RESISTOR	0Ω 1/10W J	1	
R171		RK73HB1J220J	MG RESISTOR	22Ω 1/16W J	1	
R172		RK73HB1J220J	MG RESISTOR	22Ω 1/16W J	1	
R173		RK73HB1J512J	MG RESISTOR	5.1kΩ 1/16W J	1	
R174		RK73HB1J472J	MG RESISTOR	4.7kΩ 1/16W J	1	
R175		RK73GB2A000J	MG RESISTOR	0Ω 1/10W J	1	
R176		RK73GB2A391J	MG RESISTOR	390Ω 1/10W J	1	
R177		RK73HB1J223J	MG RESISTOR	22kΩ 1/16W J	1	
R181		RK73HB1J000J	MG RESISTOR	0Ω 1/16W J	1	
R182		RK73HB1J220J	MG RESISTOR	22Ω 1/16W J	1	
R183		RK73HB1J000J	MG RESISTOR	0Ω 1/16W J	1	
R186		RK73GB2A000J	MG RESISTOR	0Ω 1/10W J	1	
R187		RK73GB2A000J	MG RESISTOR	0Ω 1/10W J	1	
R188		RK73GB2A000J	MG RESISTOR	0Ω 1/10W J	1	
R189		RK73GB2A000J	MG RESISTOR	0Ω 1/10W J	1	
R198		RK73GB2A102J	MG RESISTOR	1kΩ 1/10W J	1	
RA100		RK74HB1J220J	NET RESISTOR	22Ω 1/16W J	1	
RA101		RK74HB1J220J	NET RESISTOR	22Ω 1/16W J	1	
RA102		RK74HB1J220J	NET RESISTOR	22Ω 1/16W J	1	
RA103		RK74HB1J220J	NET RESISTOR	22Ω 1/16W J	1	
RA104		RK74HB1J220J	NET RESISTOR	22Ω 1/16W J	1	
RA105		RK74HB1J220J	NET RESISTOR	22Ω 1/16W J	1	
CN100		QGB0803J2-40X	CONNECTOR	B-B (1-40)	1	
J100		NNZ0292-001X	HDMI CONNECTOR		1	
X100		NAX1135-001X	CRYSTAL		1	

AUDIO PWB ASSY (LVA11316-xxA) <AU>

IC1		LV5680NPVC	IC		1	
IC41		XC6223B331PG-X	IC		1	
IC101		JCV8031	IC		1	
IC201		TDA7715	IC		1	
IC261		AN15863UA-X	IC		1	
IC301		XC6223B331PG-X	IC		1	
IC361		W10-0886-08	IC(MCU)	PROGRAMED IC	1	E1
IC401		SI4706-D50-GMX	IC		1	
IC511		TC7SET32FU-X	IC(DIGITAL)	OR	1	E1,K1,K0
IC512		TC7SH17FU-X	IC(DIGITAL)		1	E1,K1,K0
IC601		NJW1240V-X	IC		1	E1,R1,K0
IC701		AK7601AVQ-W	IC		1	E1,R1,K0
IC702		AK7600VF-X	IC		1	K1
IC781		BA6956AN	IC		1	
IC801		AK4113VF-X	IC		1	R1,K0
Q31		LSCR523UBFS8	TRANSISTOR		1	
Q51		LTC024EUBFS8	DIGI TRANSISTOR		1	
Q151		LTC014YUB-X	DIGI TRANSISTOR		1	
Q152		LTA043ZUB-X	DIGI TRANSISTOR		1	
Q155		LTC014YUB-X	DIGI TRANSISTOR		1	
Q156		LTA043ZUB-X	DIGI TRANSISTOR		1	
Q161		LTC043TUB-X	DIGI TRANSISTOR		1	
Q162		LTC043TUB-X	DIGI TRANSISTOR		1	
Q163		LTC043TUB-X	DIGI TRANSISTOR		1	
Q164		LTC043TUB-X	DIGI TRANSISTOR		1	
Q165		LTC043TUB-X	DIGI TRANSISTOR		1	
Q191		LTA043ZUB-X	DIGI TRANSISTOR		1	
Q193		LTC043TUB-X	DIGI TRANSISTOR		1	
Q194		LTC043TUB-X	DIGI TRANSISTOR		1	
Q271		SSM3K15AMFV-X	MOS FET		1	
Q272		SSM3K15AMFV-X	MOS FET		1	
Q451		3SK291-W	MOS FET		1	
Q731		2SB1689-X	TRANSISTOR		1	
Q732		LTC014YUB-X	DIGI TRANSISTOR		1	

MODEL	MARK	MODEL	MARK	MODEL	MARK	MODEL	MARK
DNX7250DAB	E1	DNX7710BT	R1	DNX771HD	K1	DNX891HD	K0

Safe	Symbol No.	Parts No.	Parts Name	Description	QTY	Local
	Q781	LTC014YUB-X	DIGI TRANSISTOR		1	
	D1	1N5402-BPC04	SI DIODE		1	
	D31	DA2J101	DIODE		1	
	D32	DZ2J056M	Z DIODE		1	
	D41	GS1J-LTP-X	SI DIODE		1	
	D42	GS1J-LTP-X	SI DIODE		1	R1,K1,K0
	D43	GS1J-LTP-X	SI DIODE		1	
	D44	GS1J-LTP-X	SI DIODE		1	R1,K1,K0
	D61	DZ2J062M	Z DIODE		1	
	D71	MC2846-X	SI DIODE		1	
	D101	MC2846-X	SI DIODE		1	
	D151	MC2846-X	SI DIODE		1	
	D155	MC2846-X	SI DIODE		1	
	D171	NAF0045-180X	VARIATOR(ZNR)		1	
	D172	NAF0045-180X	VARIATOR(ZNR)		1	
	D173	NAF0045-180X	VARIATOR(ZNR)		1	
	D174	NAF0045-180X	VARIATOR(ZNR)		1	
	D175	NAF0045-180X	VARIATOR(ZNR)		1	
	D177	NAF0045-180X	VARIATOR(ZNR)		1	
	D191	MC2846-X	SI DIODE		1	
	D195	NAF0045-180X	VARIATOR(ZNR)		1	
	D196	NAF0045-180X	VARIATOR(ZNR)		1	
	D197	NAF0045-180X	VARIATOR(ZNR)		1	
	D201	DA2J101	DIODE		1	
	D202	DA2J101	DIODE		1	
	D203	MC2846-X	SI DIODE		1	
	D204	MC2846-X	SI DIODE		1	
	D205	MC2846-X	SI DIODE		1	
	D301	NAF0029-002X	ESD SUPPRESSOR		1	
	D302	GS1J-LTP-X	SI DIODE		1	
	D351	NAF0029-002X	ESD SUPPRESSOR		1	E1
	D381	DZ2J033/M/-X	Z DIODE		1	E1
	D501	NAF0045-180X	VARIATOR(ZNR)		1	K1,K0
	D502	NAF0045-180X	VARIATOR(ZNR)		1	K1,K0
	D503	NAF0045-180X	VARIATOR(ZNR)		1	K1,K0
	D511	NAF0042-270X	VARIATOR(ZNR)		1	E1,K1,K0
	D512	NAF0042-270X	VARIATOR(ZNR)		1	E1,K1,K0
	D513	NAF0042-270X	VARIATOR(ZNR)		1	E1,K1,K0
	D781	DZ2J051M	Z DIODE		1	
	C1	CD04AZ1C332M2	E CAPACITOR	3300uF 16V M	1	
	C5	NCZ1114-333X	C CAPACITOR	0.033uF	1	E1
	C11	CE32CB1V101M	E CAPACITOR	100uF 35V M	1	
	C12	CK73HBB1E103K	C CAPACITOR	0.01uF 25V K	1	
	C13	CE32CB1C470M	E CAPACITOR	47uF 16V M	1	
	C14	CE32CB1C470M	E CAPACITOR	47uF 16V M	1	
	C15	CE32CB1A101M	E CAPACITOR	100uF 10V M	1	
	C16	CE32CC1C221M	E CAPACITOR	220uF 16V M	1	
	C18	CK73EXR1E106K	C CAPACITOR	10uF 25V K	1	
	C19	CK73EXR1E106K	C CAPACITOR	10uF 25V K	1	
	C21	NCB31HK-104X	C CAPACITOR	0.1uF 50V K	1	
	C23	NCB31CK-105X	C CAPACITOR	1uF 16V K	1	
	C24	NCB31HK-104X	C CAPACITOR	0.1uF 50V K	1	
	C25	CK73GBB1C224K	C CAPACITOR	0.22uF 16V K	1	
	C26	CK73HBB1A104K	C CAPACITOR	0.1uF 10V K	1	
	C31	CK73FBB1E474K	C CAPACITOR	0.47uF 25V K	1	
	C41	NCB30JK-225X	C CAPACITOR	2.2uF 6.3V K	1	
	C42	NCB30JK-225X	C CAPACITOR	2.2uF 6.3V K	1	
	C51	CK73HBB1E103K	C CAPACITOR	0.01uF 25V K	1	
	C52	CK73HXR0J105K	C CAPACITOR	1uF 6.3V K	1	
	C71	NCJA1EK-104W-G	C CAPACITOR	0.1uF 25V K	1	
	C100	CE32CB1C100M	E CAPACITOR	10uF 16V M	1	
	C101	CK73GBB1C224K	C CAPACITOR	0.22uF 16V K	1	
	C102	CK73GBB1C224K	C CAPACITOR	0.22uF 16V K	1	
	C103	CK73GBB1C224K	C CAPACITOR	0.22uF 16V K	1	
	C104	CK73GBB1C224K	C CAPACITOR	0.22uF 16V K	1	
	C109	NCB31CK-105X	C CAPACITOR	1uF 16V K	1	
	C122	CK73HBB1H221K	C CAPACITOR	220pF 50V K	1	
	C131	CK73HBB1H221K	C CAPACITOR	220pF 50V K	1	
	C133	CK73HBB1H221K	C CAPACITOR	220pF 50V K	1	
	C134	CK73HBB1H221K	C CAPACITOR	220pF 50V K	1	
	C135	CK73HBB1H221K	C CAPACITOR	220pF 50V K	1	
	C136	CK73HBB1H221K	C CAPACITOR	220pF 50V K	1	
	C137	CK73HBB1H221K	C CAPACITOR	220pF 50V K	1	
	C138	CK73HBB1H221K	C CAPACITOR	220pF 50V K	1	
	C145	CK73HXR0J105K	C CAPACITOR	1uF 6.3V K	1	
	C146	CK73HXR0J105K	C CAPACITOR	1uF 6.3V K	1	
	C151	CE32CA1C100M	E CAPACITOR	10uF 16V M	1	
	C152	CE32CA1C100M	E CAPACITOR	10uF 16V M	1	
	C153	NCB11CK-106X	C CAPACITOR	10uF 16V K	1	
	C154	NCB11CK-106X	C CAPACITOR	10uF 16V K	1	
	C155	NCB11CK-106X	C CAPACITOR	10uF 16V K	1	
	C171	CK73HBB1H102K	C CAPACITOR	1000pF 50V K	1	
	C172	CK73HBB1H102K	C CAPACITOR	1000pF 50V K	1	
	C173	CK73HBB1H102K	C CAPACITOR	1000pF 50V K	1	
	C174	CK73HBB1H102K	C CAPACITOR	1000pF 50V K	1	
	C175	CK73HBB1H102K	C CAPACITOR	1000pF 50V K	1	
	C191	NCB11CK-106X	C CAPACITOR	10uF 16V K	1	
	C192	NCB11CK-106X	C CAPACITOR	10uF 16V K	1	
	C195	CK73HBB1H102K	C CAPACITOR	1000pF 50V K	1	
	C196	CK73HBB1H102K	C CAPACITOR	1000pF 50V K	1	
	C201	CE32CB1C470M	E CAPACITOR	47uF 16V M	1	
	C202	CK73HBB1E103K	C CAPACITOR	0.01uF 25V K	1	

MODEL	MARK	MODEL	MARK	MODEL	MARK	MODEL	MARK
DNX7250DAB	E1	DNX7710BT	R1	DNX771HD	K1	DNX891HD	K0

Safe	Symbol No.	Parts No.	Parts Name	Description	QTY	Local
	C203	CK73HBB1E103K	C CAPACITOR	0.01uF 25V K	1	
	C204	CE32CB1C470M	E CAPACITOR	47uF 16V M	1	
	C205	CK73HXR0J105K	C CAPACITOR	1uF 6.3V K	1	
	C206	CK73HXR0J105K	C CAPACITOR	1uF 6.3V K	1	
	C207	NCJAJ0JK-474W-R	C CAPACITOR	0.47uF 6.3V K	1	
	C208	CK73HXR0J105K	C CAPACITOR	1uF 6.3V K	1	
	C209	NCJAJ0JK-474W-R	C CAPACITOR	0.47uF 6.3V K	1	
	C210	CK73GXR0J475K	C CAPACITOR	4.7uF 6.3V K	1	
	C211	NCB31CK-105X	C CAPACITOR	1uF 16V K	1	
	C212	NCB31CK-105X	C CAPACITOR	1uF 16V K	1	
	C213	NCB31CK-105X	C CAPACITOR	1uF 16V K	1	
	C214	NCB31CK-105X	C CAPACITOR	1uF 16V K	1	
	C215	NCB31CK-105X	C CAPACITOR	1uF 16V K	1	
	C216	NCB31CK-105X	C CAPACITOR	1uF 16V K	1	
	C217	NCB31CK-105X	C CAPACITOR	1uF 16V K	1	
	C218	NCB31CK-105X	C CAPACITOR	1uF 16V K	1	
	C221	CE32CA1C100M	E CAPACITOR	10uF 16V M	1	
	C222	CE32CA1C100M	E CAPACITOR	10uF 16V M	1	
	C223	NCB31CK-105X	C CAPACITOR	1uF 16V K	1	
	C224	NCB31CK-105X	C CAPACITOR	1uF 16V K	1	
	C225	NCJ21CK-106X-R	C CAPACITOR	10uF 16V K	1	
	C227	NCB31CK-105X	C CAPACITOR	1uF 16V K	1	
	C228	NCB31CK-105X	C CAPACITOR	1uF 16V K	1	
	C229	NCJ21CK-106X-R	C CAPACITOR	10uF 16V K	1	
	C261	NCJ21CK-106X-R	C CAPACITOR	10uF 16V K	1	
	C262	NCJ21CK-106X-R	C CAPACITOR	10uF 16V K	1	
	C263	NCB31HK-104X	C CAPACITOR	0.1uF 50V K	1	
	C264	NCB31HK-104X	C CAPACITOR	0.1uF 50V K	1	
	C265	NCJ21CK-106X-R	C CAPACITOR	10uF 16V K	1	
	C273	NCB31CK-105X	C CAPACITOR	1uF 16V K	1	
	C274	NCB31CK-105X	C CAPACITOR	1uF 16V K	1	
	C275	NCB31CK-105X	C CAPACITOR	1uF 16V K	1	
	C276	NCB31CK-105X	C CAPACITOR	1uF 16V K	1	
	C277	NCB31CK-105X	C CAPACITOR	1uF 16V K	1	
	C278	NCB31CK-105X	C CAPACITOR	1uF 16V K	1	
	C279	NCB31CK-105X	C CAPACITOR	1uF 16V K	1	
	C284	CK73GXR0J475K	C CAPACITOR	4.7uF 6.3V K	1	
	C285	NCB31CK-105X	C CAPACITOR	1uF 16V K	1	
	C286	CK73GXR0J475K	C CAPACITOR	4.7uF 6.3V K	1	
	C291	NCB31CK-105X	C CAPACITOR	1uF 16V K	1	E1,R1
	C292	NCB31CK-105X	C CAPACITOR	1uF 16V K	1	E1,R1
	C293	NCB31CK-105X	C CAPACITOR	1uF 16V K	1	E1,R1
	C297	NCB31CK-105X	C CAPACITOR	1uF 16V K	1	E1,R1
	C298	NCB31CK-105X	C CAPACITOR	1uF 16V K	1	E1,R1
	C299	NCB31CK-105X	C CAPACITOR	1uF 16V K	1	E1,R1
	C302	CK73GXR1C225K	C CAPACITOR	2.2uF 16V K	1	
	C303	NCB31HK-104X	C CAPACITOR	0.1uF 50V K	1	
	C304	CK73HBB1H102K	C CAPACITOR	1000pF 50V K	1	
	C305	CK73HBB1A104K	C CAPACITOR	0.1uF 10V K	1	
	C306	NCJ21CK-106X-R	C CAPACITOR	10uF 16V K	1	
	C308	CK73HBB1A104K	C CAPACITOR	0.1uF 10V K	1	
	C309	CK73HBB1E103K	C CAPACITOR	0.01uF 25V K	1	
	C321	CK73HBB1A104K	C CAPACITOR	0.1uF 10V K	1	
	C322	CK73HBB1E103K	C CAPACITOR	0.01uF 25V K	1	
	C358	CK73HBB1A104K	C CAPACITOR	0.1uF 10V K	1	E1
	C359	CK73HBB1E103K	C CAPACITOR	0.01uF 25V K	1	E1
	C361	CK73HXR0J105K	C CAPACITOR	1uF 6.3V K	1	E1
	C362	CK73HBB1A104K	C CAPACITOR	0.1uF 10V K	1	E1
	C363	NCJAJ0JK-474W-R	C CAPACITOR	0.47uF 6.3V K	1	E1
	C371	CK73HBB1E103K	C CAPACITOR	0.01uF 25V K	1	E1
	C402	CK73HBB1H102K	C CAPACITOR	1000pF 50V K	1	
	C403	NCJ21CK-106X-R	C CAPACITOR	10uF 16V K	1	
	C404	CK73HBB1E223K	C CAPACITOR	0.022uF 25V K	1	
	C405	NCJ21CK-106X-R	C CAPACITOR	10uF 16V K	1	
	C406	CK73HBB1A104K	C CAPACITOR	0.1uF 10V K	1	
	C407	CC73GCH1H330J	C CAPACITOR	33pF 50V J	1	
	C411	CC73GCH1H150J	C CAPACITOR	15pF 50V J	1	
	C421	NCB31HK-104X	C CAPACITOR	0.1uF 50V K	1	
	C431	CC73GCH1H220J	C CAPACITOR	22pF 50V J	1	
	C432	CC73GCH1H220J	C CAPACITOR	22pF 50V J	1	
	C451	CC73GCH1H060D	C CAPACITOR	6pF 50V D	1	
	C452	CC73GCH1H040C	C CAPACITOR	4pF 50V C	1	
	C453	CK73GGB1H102K	C CAPACITOR	1000pF 50V K	1	
	C454	CC73GCH1H560J	C CAPACITOR	56pF 50V J	1	
	C455	CC73GCH1H080D	C CAPACITOR	8pF 50V D	1	
	C462	CK73HBB1E103K	C CAPACITOR	0.01uF 25V K	1	
	C463	CK73HBB1H102K	C CAPACITOR	1000pF 50V K	1	
	C464	CC73GCH1H030C	C CAPACITOR	3pF 50V C	1	
	C501	NCB31CK-105X	C CAPACITOR	1uF 16V K	1	K1,K0
	C502	NCB31CK-105X	C CAPACITOR	1uF 16V K	1	K1,K0
	C503	NCB31CK-105X	C CAPACITOR	1uF 16V K	1	K1,K0
	C511	NCB31HK-104X	C CAPACITOR	0.1uF 50V K	1	E1,K1,K0
	C512	NCB31HK-104X	C CAPACITOR	0.1uF 50V K	1	E1,K1,K0
	C601	CE32CA1C100M	E CAPACITOR	10uF 16V M	1	E1,R1,K0
	C602	CE32CA1C100M	E CAPACITOR	10uF 16V M	1	E1,R1,K0
	C603	NCB11CK-106X	C CAPACITOR	10uF 16V K	1	E1,R1,K0
	C604	NCB11CK-106X	C CAPACITOR	10uF 16V K	1	E1,R1,K0
	C605	NCB11CK-106X	C CAPACITOR	10uF 16V K	1	E1,R1,K0
	C610	NCB11CK-106X	C CAPACITOR	10uF 16V K	1	E1,R1,K0
	C611	CK73HBB1E103K	C CAPACITOR	0.01uF 25V K	1	E1,R1,K0
	C612	NCB31CK-105X	C CAPACITOR	1uF 16V K	1	E1,R1,K0
	C613	NCB31CK-105X	C CAPACITOR	1uF 16V K	1	E1,R1,K0
	C614	NCB31CK-105X	C CAPACITOR	1uF 16V K	1	E1,R1,K0

MODEL	MARK	MODEL	MARK	MODEL	MARK	MODEL	MARK
DNX7250DAB	E1	DNX7710BT	R1	DNX771HD	K1	DNX891HD	K0

Safe	Symbol No.	Parts No.	Parts Name	Description	QTY	Local
	C616	NCB31CK-105X	C CAPACITOR	1uF 16V K	1	E1,R1,K0
	C618	NCB31CK-105X	C CAPACITOR	1uF 16V K	1	E1,R1,K0
	C619	CK73GBB1H102K	C CAPACITOR	1000pF 50V K	1	E1,R1,K0
	C701	CK73HBB1H222K	C CAPACITOR	2200pF 50V K	1	
	C702	CK73HBB1H222K	C CAPACITOR	2200pF 50V K	1	
	C703	CK73HBB1H222K	C CAPACITOR	2200pF 50V K	1	
	C704	CK73HBB1H222K	C CAPACITOR	2200pF 50V K	1	
	C705	CK73HBB1H222K	C CAPACITOR	2200pF 50V K	1	
	C706	CK73HBB1H222K	C CAPACITOR	2200pF 50V K	1	
	C711	CK73GXR0J475K	C CAPACITOR	4.7uF 6.3V K	1	
	C712	CK73GXR0J475K	C CAPACITOR	4.7uF 6.3V K	1	
	C713	CK73GXR0J475K	C CAPACITOR	4.7uF 6.3V K	1	
	C714	CK73GXR0J475K	C CAPACITOR	4.7uF 6.3V K	1	
	C715	CK73GXR0J475K	C CAPACITOR	4.7uF 6.3V K	1	
	C716	CK73GXR0J475K	C CAPACITOR	4.7uF 6.3V K	1	
	C721	CK73GXR0J475K	C CAPACITOR	4.7uF 6.3V K	1	
	C722	CK73GXR0J475K	C CAPACITOR	4.7uF 6.3V K	1	
	C723	CK73GXR0J475K	C CAPACITOR	4.7uF 6.3V K	1	E1,R1,K0
	C731	NCJ21CK-106X-R	C CAPACITOR	10uF 16V K	1	E1,R1,K0
	C732	NCB31HK-104X	C CAPACITOR	0.1uF 50V K	1	E1,R1,K0
	C733	NCJ21CK-106X-R	C CAPACITOR	10uF 16V K	1	E1,R1,K0
	C734	NCB31HK-104X	C CAPACITOR	0.1uF 50V K	1	E1,R1,K0
	C735	NCB30JK-225X	C CAPACITOR	2.2uF 6.3V K	1	E1,R1,K0
	C736	NCB31HK-104X	C CAPACITOR	0.1uF 50V K	1	E1,R1,K0
	C741	NCJ21CK-106X-R	C CAPACITOR	10uF 16V K	1	E1,R1,K0
	C742	CK73HBB1A104K	C CAPACITOR	0.1uF 10V K	1	E1,R1,K0
	C743	NCB30JK-225X	C CAPACITOR	2.2uF 6.3V K	1	E1,R1,K0
	C744	NCB31HK-104X	C CAPACITOR	0.1uF 50V K	1	E1,R1,K0
	C747	NCB31CK-105X	C CAPACITOR	1uF 16V K	1	E1,R1,K0
	C751	CC73HCH1H100D	C CAPACITOR	10pF 50V D	1	
	C752	CC73HCH1H100D	C CAPACITOR	10pF 50V D	1	
	C761	NCJ21CK-106X-R	C CAPACITOR	10uF 16V K	1	K1
	C762	NCB31HK-104X	C CAPACITOR	0.1uF 50V K	1	K1
	C763	NCJ21CK-106X-R	C CAPACITOR	10uF 16V K	1	K1
	C764	NCB31HK-104X	C CAPACITOR	0.1uF 50V K	1	K1
	C765	NCB30JK-225X	C CAPACITOR	2.2uF 6.3V K	1	K1
	C766	NCB31HK-104X	C CAPACITOR	0.1uF 50V K	1	K1
	C767	NCJ21CK-106X-R	C CAPACITOR	10uF 16V K	1	K1
	C768	NCB31HK-104X	C CAPACITOR	0.1uF 50V K	1	K1
	C769	NCB31CK-105X	C CAPACITOR	1uF 16V K	1	K1
	C781	CE32CB1V101M	E CAPACITOR	100uF 35V M	1	
	C797	CC73HCH1H050C	C CAPACITOR	5pF 50V C	1	
	C798	CC73HCH1H050C	C CAPACITOR	5pF 50V C	1	
	C799	CK73HBB1H102K	C CAPACITOR	1000pF 50V K	1	
	C811	CK73HBB1A104K	C CAPACITOR	0.1uF 10V K	1	R1,K0
	C813	CC73HCH1H100D	C CAPACITOR	10pF 50V D	1	R1,K0
	C814	CK73HBB1A104K	C CAPACITOR	0.1uF 10V K	1	R1,K0
	C832	CK73HBB1A104K	C CAPACITOR	0.1uF 10V K	1	R1,K0
	C838	CK73HBB1E103K	C CAPACITOR	0.01uF 25V K	1	R1,K0
	C841	NCJ21CK-106X-R	C CAPACITOR	10uF 16V K	1	R1,K0
	C842	NCJ21CK-106X-R	C CAPACITOR	10uF 16V K	1	R1,K0
	C843	CK73HBB1A104K	C CAPACITOR	0.1uF 10V K	1	R1,K0
	C844	CK73HBB1A104K	C CAPACITOR	0.1uF 10V K	1	R1,K0
	C862	NCB31CK-105X	C CAPACITOR	1uF 16V K	1	R1,K0
	R11	RK73GB2A000J	MG RESISTOR	0Ω 1/10W J	1	
	R12	RK73GH2A224D	MG RESISTOR	220kΩ 1/10W D	1	
	R15	RK73GH2A273D	MG RESISTOR	27kΩ 1/10W D	1	
	R17	RK73GH2A472D	MG RESISTOR	4.7kΩ 1/10W D	1	
	R18	RK73HB1J101J	MG RESISTOR	100Ω 1/16W J	1	
	R19	RK73HB1J000J	MG RESISTOR	0Ω 1/16W J	1	
	R23	RK73FB2B000J	MG RESISTOR	0Ω 1/8W J	1	
	R24	RK73FB2B000J	MG RESISTOR	0Ω 1/8W J	1	
	R25	RK73FB2B000J	MG RESISTOR	0Ω 1/8W J	1	
	R26	RK73FB2B000J	MG RESISTOR	0Ω 1/8W J	1	
	R27	RK73FB2B000J	MG RESISTOR	0Ω 1/8W J	1	
	R31	RK73EB2E622J	MG RESISTOR	6.2kΩ 1/4W J	1	
	R32	RK73EB2E622J	MG RESISTOR	6.2kΩ 1/4W J	1	
	R33	RK73EB2E153J	MG RESISTOR	15kΩ 1/4W J	1	
	R34	RK73HB1J153J	MG RESISTOR	15kΩ 1/16W J	1	
	R40	RK73GB2A000J	MG RESISTOR	0Ω 1/10W J	1	E1
	R41	RK73FB2B472J	MG RESISTOR	4.7kΩ 1/8W J	1	
	R42	RK73FB2B472J	MG RESISTOR	4.7kΩ 1/8W J	1	R1,K1,K0
	R51	RK73HB1J102J	MG RESISTOR	1kΩ 1/16W J	1	
	R52	RK73GB2A202J	MG RESISTOR	2kΩ 1/10W J	1	
	R61	RK73GB2A152J	MG RESISTOR	1.5kΩ 1/10W J	1	
	R72	RK73HB1J123J	MG RESISTOR	12kΩ 1/16W J	1	
	R73	RK73HB1J683J	MG RESISTOR	68kΩ 1/16W J	1	
	R74	RK73HB1J103J	MG RESISTOR	10kΩ 1/16W J	1	
	R141	RK73GB2A562J	MG RESISTOR	5.6kΩ 1/10W J	1	
	R142	RK73HB1J331J	MG RESISTOR	330Ω 1/16W J	1	
	R143	RK73HB1J223J	MG RESISTOR	22kΩ 1/16W J	1	
	R144	RK73HB1J182J	MG RESISTOR	1.8kΩ 1/16W J	1	
	R145	RK73HB1J333J	MG RESISTOR	33kΩ 1/16W J	1	
	R146	RK73HB1J6R8J	MG RESISTOR	6.8Ω 1/16W J	1	
	R147	RK73GB2A000J	MG RESISTOR	0Ω 1/10W J	1	
	R148	RK73GB2A000J	MG RESISTOR	0Ω 1/10W J	1	
	R151	RK73HB1J471J	MG RESISTOR	470Ω 1/16W J	1	
	R152	RK73HB1J471J	MG RESISTOR	470Ω 1/16W J	1	
	R153	RK73HB1J471J	MG RESISTOR	470Ω 1/16W J	1	
	R154	RK73HB1J471J	MG RESISTOR	470Ω 1/16W J	1	
	R155	RK73HB1J471J	MG RESISTOR	470Ω 1/16W J	1	
	R156	RK73HB1J473J	MG RESISTOR	47kΩ 1/16W J	1	

MODEL	MARK	MODEL	MARK	MODEL	MARK	MODEL	MARK
DNX7250DAB	E1	DNX7710BT	R1	DNX771HD	K1	DNX891HD	K0

Safe	Symbol No.	Parts No.	Parts Name	Description	QTY	Local
	R159	RK73HB1J473J	MG RESISTOR	47kΩ 1/16W J	1	
	R161	RK73HB1J223J	MG RESISTOR	22kΩ 1/16W J	1	
	R162	RK73HB1J223J	MG RESISTOR	22kΩ 1/16W J	1	
	R163	RK73HB1J223J	MG RESISTOR	22kΩ 1/16W J	1	
	R164	RK73HB1J223J	MG RESISTOR	22kΩ 1/16W J	1	
	R165	RK73HB1J223J	MG RESISTOR	22kΩ 1/16W J	1	
	R171	RK73GB2A101J	MG RESISTOR	100Ω 1/10W J	1	
	R172	RK73GB2A101J	MG RESISTOR	100Ω 1/10W J	1	
	R173	RK73GB2A101J	MG RESISTOR	100Ω 1/10W J	1	
	R174	RK73GB2A101J	MG RESISTOR	100Ω 1/10W J	1	
	R175	RK73GB2A101J	MG RESISTOR	100Ω 1/10W J	1	
	R181	RK73HB1J000J	MG RESISTOR	0Ω 1/16W J	1	K1
	R182	RK73HB1J000J	MG RESISTOR	0Ω 1/16W J	1	K1
	R183	RK73HB1J000J	MG RESISTOR	0Ω 1/16W J	1	K1
	R184	RK73HB1J000J	MG RESISTOR	0Ω 1/16W J	1	K1
	R185	RK73HB1J000J	MG RESISTOR	0Ω 1/16W J	1	K1
	R191	RK73HB1J471J	MG RESISTOR	470Ω 1/16W J	1	
	R192	RK73HB1J471J	MG RESISTOR	470Ω 1/16W J	1	
	R193	RK73HB1J223J	MG RESISTOR	22kΩ 1/16W J	1	
	R194	RK73HB1J223J	MG RESISTOR	22kΩ 1/16W J	1	
	R195	RK73GB2A101J	MG RESISTOR	100Ω 1/10W J	1	
	R196	RK73GB2A101J	MG RESISTOR	100Ω 1/10W J	1	
	R201	RK73GB2A2R2J	MG RESISTOR	2.2Ω 1/10W J	1	
	R202	RK73HB1J102J	MG RESISTOR	1kΩ 1/16W J	1	
	R204	RK73HB1J103J	MG RESISTOR	10kΩ 1/16W J	1	
	R205	RK73HB1J101J	MG RESISTOR	100Ω 1/16W J	1	
	R206	RK73HB1J101J	MG RESISTOR	100Ω 1/16W J	1	
	R207	RK73GB2A683J	MG RESISTOR	68kΩ 1/10W J	1	
	R208	RK73GB2A362J	MG RESISTOR	3.6kΩ 1/10W J	1	
	R261	RK73GB2A2R2J	MG RESISTOR	2.2Ω 1/10W J	1	
	R262	RK73HB1J473J	MG RESISTOR	47kΩ 1/16W J	1	
	R263	RK73HB1J223J	MG RESISTOR	22kΩ 1/16W J	1	
	R271	RK73HB1J101J	MG RESISTOR	100Ω 1/16W J	1	
	R272	RK73HB1J472J	MG RESISTOR	4.7kΩ 1/16W J	1	
	R273	RK73HB1J101J	MG RESISTOR	100Ω 1/16W J	1	
	R274	RK73HB1J472J	MG RESISTOR	4.7kΩ 1/16W J	1	
	R301	RK73HB1J473J	MG RESISTOR	47kΩ 1/16W J	1	
	R331	RK73GB2A000J	MG RESISTOR	0Ω 1/10W J	1	K1,K0
	R332	RK73GB2A000J	MG RESISTOR	0Ω 1/10W J	1	K1,K0
	R333	RK73GB2A000J	MG RESISTOR	0Ω 1/10W J	1	K1,K0
	R334	RK73GB2A000J	MG RESISTOR	0Ω 1/10W J	1	K1,K0
	R361	RK73GB2A2R2J	MG RESISTOR	2.2Ω 1/10W J	1	E1
	R362	RK73HB1J473J	MG RESISTOR	47kΩ 1/16W J	1	E1
	R363	RK73HB1J102J	MG RESISTOR	1kΩ 1/16W J	1	E1
	R364	RK73HB1J473J	MG RESISTOR	47kΩ 1/16W J	1	E1
	R365	RK73HB1J473J	MG RESISTOR	47kΩ 1/16W J	1	E1
	R366	RK73HB1J473J	MG RESISTOR	47kΩ 1/16W J	1	E1
	R367	RK73HB1J473J	MG RESISTOR	47kΩ 1/16W J	1	E1
	R371	RK73HB1J472J	MG RESISTOR	4.7kΩ 1/16W J	1	E1
	R372	RK73HB1J472J	MG RESISTOR	4.7kΩ 1/16W J	1	E1
	R373	RK73HB1J102J	MG RESISTOR	1kΩ 1/16W J	1	E1
	R374	RK73HB1J472J	MG RESISTOR	4.7kΩ 1/16W J	1	E1
	R375	RK73HB1J472J	MG RESISTOR	4.7kΩ 1/16W J	1	E1
	R377	RK73HB1J103J	MG RESISTOR	10kΩ 1/16W J	1	E1
	R378	RK73HB1J000J	MG RESISTOR	0Ω 1/16W J	1	E1
	R379	RK73HB1J102J	MG RESISTOR	1kΩ 1/16W J	1	E1
	R383	RK73HB1J472J	MG RESISTOR	4.7kΩ 1/16W J	1	E1
	R385	RK73HB1J472J	MG RESISTOR	4.7kΩ 1/16W J	1	E1
	R387	RK73HB1J562J	MG RESISTOR	5.6kΩ 1/16W J	1	E1
	R391	RK73GB2A000J	MG RESISTOR	0Ω 1/10W J	1	E1
	R402	RK73HB1J103J	MG RESISTOR	10kΩ 1/16W J	1	
	R421	RK73HB1J202J	MG RESISTOR	2kΩ 1/16W J	1	
	R422	RK73HB1J272J	MG RESISTOR	2.7kΩ 1/16W J	1	
	R423	RK73HB1J471J	MG RESISTOR	470Ω 1/16W J	1	
	R424	RK73HB1J471J	MG RESISTOR	470Ω 1/16W J	1	
	R425	RK73HB1J221J	MG RESISTOR	220Ω 1/16W J	1	
	R426	RK73HB1J272J	MG RESISTOR	2.7kΩ 1/16W J	1	
	R432	RK73GB2A202J	MG RESISTOR	2kΩ 1/10W J	1	
	R452	RK73GB2A683J	MG RESISTOR	68kΩ 1/10W J	1	
	R453	RK73GB2A153J	MG RESISTOR	15kΩ 1/10W J	1	
	R454	RK73GB2A393J	MG RESISTOR	39kΩ 1/10W J	1	
	R455	RK73GB2A623J	MG RESISTOR	62kΩ 1/10W J	1	
	R456	RK73GB2A472J	MG RESISTOR	4.7kΩ 1/10W J	1	
	R457	RK73GB2A200J	MG RESISTOR	20Ω 1/10W J	1	
	R471	RK73GB2A000J	MG RESISTOR	0Ω 1/10W J	1	
	R501	RK73GB2A100J	MG RESISTOR	10Ω 1/10W J	1	K1,K0
	R502	RK73GB2A100J	MG RESISTOR	10Ω 1/10W J	1	K1,K0
	R503	RK73GB2A4R7J	MG RESISTOR	4.7Ω 1/10W J	1	K1,K0
	R504	RK73GB2A102J	MG RESISTOR	1kΩ 1/10W J	1	K1,K0
	R511	RK73GB2A101J	MG RESISTOR	100Ω 1/10W J	1	E1,K1,K0
	R512	RK73GB2A101J	MG RESISTOR	100Ω 1/10W J	1	E1,K1,K0
	R513	RK73GB2A101J	MG RESISTOR	100Ω 1/10W J	1	E1,K1,K0
	R514	RK73GB2A2R2J	MG RESISTOR	2.2Ω 1/10W J	1	E1,K1,K0
	R515	RK73HB1J272J	MG RESISTOR	2.7kΩ 1/16W J	1	E1,K1,K0
	R516	RK73HB1J473J	MG RESISTOR	47kΩ 1/16W J	1	E1,K1,K0
	R517	RK73HB1J272J	MG RESISTOR	2.7kΩ 1/16W J	1	E1,K1,K0
	R611	RK73GB2A2R2J	MG RESISTOR	2.2Ω 1/10W J	1	E1,R1,K0
	R612	RK73HB1J103J	MG RESISTOR	10kΩ 1/16W J	1	E1,R1,K0
	R614	RK73HB1J102J	MG RESISTOR	1kΩ 1/16W J	1	E1,R1,K0
	R615	RK73HB1J100J	MG RESISTOR	10Ω 1/16W J	1	E1,R1,K0
	R616	RK73HB1J684J	MG RESISTOR	680kΩ 1/16W J	1	E1,R1,K0
	R701	RK73HB1J471J	MG RESISTOR	470Ω 1/16W J	1	

MODEL	MARK	MODEL	MARK	MODEL	MARK	MODEL	MARK
DNX7250DAB	E1	DNX7710BT	R1	DNX771HD	K1	DNX891HD	K0

Safe	Symbol No.	Parts No.	Parts Name	Description	QTY	Local	
	R702	RK73HB1J471J	MG RESISTOR	470Ω 1/16W J	1		
	R703	RK73HB1J471J	MG RESISTOR	470Ω 1/16W J	1		
	R704	RK73HB1J471J	MG RESISTOR	470Ω 1/16W J	1		
	R705	RK73HB1J471J	MG RESISTOR	470Ω 1/16W J	1		
	R706	RK73HB1J471J	MG RESISTOR	470Ω 1/16W J	1		
	R731	RK73HB1J473J	MG RESISTOR	47kΩ 1/16W J	1		
	R732	RK73HB1J472J	MG RESISTOR	4.7kΩ 1/16W J	1		
	R734	RK73GB2A2R2J	MG RESISTOR	2.2Ω 1/10W J	1	E1,R1,K0	
	R735	RK73GB2A102J	MG RESISTOR	1kΩ 1/10W J	1		
	R736	RK73GB2A2R2J	MG RESISTOR	2.2Ω 1/10W J	1	E1,R1,K0	
	R737	RK73GB2A2R2J	MG RESISTOR	2.2Ω 1/10W J	1	K1	
	R742	RK73HB1J100J	MG RESISTOR	10Ω 1/16W J	1	E1,R1,K0	
	R743	RK73HB1J100J	MG RESISTOR	10Ω 1/16W J	1	E1,R1,K0	
	R751	RK73HB1J105J	MG RESISTOR	1MΩ 1/16W J	1		
	R752	RK73HB1J101J	MG RESISTOR	100Ω 1/16W J	1		
	R761	RK73HB1J101J	MG RESISTOR	100Ω 1/16W J	1	E1,R1,K0	
	R762	RK73HB1J101J	MG RESISTOR	100Ω 1/16W J	1	E1,R1,K0	
	R763	RK73HB1J101J	MG RESISTOR	100Ω 1/16W J	1	E1,R1,K0	
	R764	RK73HB1J473J	MG RESISTOR	47kΩ 1/16W J	1	E1,R1,K0	
	R765	RK73HB1J473J	MG RESISTOR	47kΩ 1/16W J	1	E1,R1,K0	
	R766	RK73HB1J473J	MG RESISTOR	47kΩ 1/16W J	1	K1	
	R767	RK73HB1J101J	MG RESISTOR	100Ω 1/16W J	1	K1	
	R768	RK73HB1J101J	MG RESISTOR	100Ω 1/16W J	1	K1	
	R769	RK73HB1J101J	MG RESISTOR	100Ω 1/16W J	1	K1	
	R771	RK73HB1J000J	MG RESISTOR	0Ω 1/16W J	1	E1	
	R772	RK73HB1J000J	MG RESISTOR	0Ω 1/16W J	1	E1	
	R773	RK73HB1J000J	MG RESISTOR	0Ω 1/16W J	1	E1	
	R781	RK73GB2A102J	MG RESISTOR	1kΩ 1/10W J	1		
	R782	RK73HB1J222J	MG RESISTOR	2.2kΩ 1/16W J	1		
	R787	RK73HB1J105J	MG RESISTOR	1MΩ 1/16W J	1		
	R801	RK73GB2A620J	MG RESISTOR	62Ω 1/10W J	1	R1,K0	
	R802	RK73GB2A620J	MG RESISTOR	62Ω 1/10W J	1	R1,K0	
	R803	RK73GB2A620J	MG RESISTOR	62Ω 1/10W J	1	R1,K0	
	R811	RK73GB2A620J	MG RESISTOR	62Ω 1/10W J	1	R1,K0	
	R839	RK73HB1J100J	MG RESISTOR	10Ω 1/16W J	1	R1,K0	
	R840	RK73HB1J473J	MG RESISTOR	47kΩ 1/16W J	1	R1,K0	
	R841	RK73HB1J473J	MG RESISTOR	47kΩ 1/16W J	1	R1,K0	
	R842	RK73HB1J153J	MG RESISTOR	15kΩ 1/16W J	1	R1,K0	
	R843	RK73HB1J103J	MG RESISTOR	10kΩ 1/16W J	1	R1,K0	
	R844	RK73HB1J103J	MG RESISTOR	10kΩ 1/16W J	1	R1,K0	
	R845	RK73HB1J473J	MG RESISTOR	47kΩ 1/16W J	1	R1,K0	
	R846	RK73HB1J473J	MG RESISTOR	47kΩ 1/16W J	1	R1,K0	
	R847	RK73HB1J473J	MG RESISTOR	47kΩ 1/16W J	1	R1,K0	
	R848	RK73HB1J473J	MG RESISTOR	47kΩ 1/16W J	1	R1,K0	
	R849	RK73GB2A2R2J	MG RESISTOR	2.2Ω 1/10W J	1	R1,K0	
	R861	RK73HB1J101J	MG RESISTOR	100Ω 1/16W J	1	R1,K0	
	R969	RK73GB2A000J	MG RESISTOR	0Ω 1/10W J	1		
	R970	RK73GB2A000J	MG RESISTOR	0Ω 1/10W J	1		
	L1	QQR1909-001	CHOKE COIL		1		
	L301	NQL77GM-4R7X	COIL	4.7uH M	1		
	L401	LB73G0BF-002	CHIP FERRITE		1		
	L411	NQLD8DJ-R15X	COIL	0.15uH J	1		
	L412	NQLQ3DG-22NX	COIL	22nH G	1		
	L451	NQLD8DJ-R56X	COIL	0.56uH J	1		
	L452	NQLD8DJ-R15X	COIL	0.15uH J	1		
	L461	LB73G0BF-002	CHIP FERRITE		1		
	L601	LK73G0AQ1R0K	P COIL	1uH	1	E1,R1,K0	
	A301	QAU0567-001	TUNER		1	E1	
	A301	QAU0563-001	TUNER		1	R1	
	A301	QAU0565-001	TUNER		1	K1,K0	
	CN201	QGF0534F7-50X	CONNECTOR	FFC/FPC (1-50)	1		
	CN301	QGB0812L4-70X	CONNECTOR	B-B (1-70)	1		
	CN781	QGA1201C2-05X	CONNECTOR	W-B (1-5)	1		
	J1	QNZ0607-001	CAR CONNECTOR		1		
	J151	QNN0889-001	PIN JACK		1	E1,K1	
	J151	QNN0888-001	PIN JACK		1	R1,K0	
	J191	QNS0071-001	3.5 JACK		1		
	J351	QNB0353-001	ANT TERMINAL		1	E1	
	J501	QNZ0907-001	CIR CONNECTOR		1	E1,K1,K0	
	TH101	NAF0048-471X	P THERMISTOR		1		
	W301	QAM1637-001	CAR CABLE		1		
	X431	NAX1256-001X	CRYSTAL		1		
	X701	NAX1172-001X	CRYSTAL		1	E1,R1,K0	
	X701	NAX1262-001X	CRYSTAL		1	K1	
	LCD1 PWB ASSY (LVA11317-xxA) <LC>						
	IC201	XC6120N352NG-X	IC		1		
	IC202	W10-0887-08	IC	PROGRAMED IC	1		
	IC205	XC6223B331PG-X	IC		1		
	IC206	TC7WH34FK-F-X	IC		1	E1	
	IC207	MF1337S3959-X	IC		1		
	IC301	W10-0898-08	IC	PROGRAMED IC	1		
	IC302	TC7SH08FU-X	IC(DIGITAL)		1		
	IC303	XC6223B331PG-X	IC		1		
	IC304	NJM2107F-X	IC		1		
	IC305	XC6223B121PG-X	IC		1		
	IC306	XC6223B331PG-X	IC		1		
	IC307	MST7912MD-I	IC		1		
	IC308	XC6213B502NG-X	IC		1		
	IC400	LM3481MMX-X	IC		1		
	IC401	XC6216B332MR-X	IC		1		
	IC402	TC7SH17FU-X	IC(DIGITAL)		1		
	IC403	TC7WH08FK-F-X	IC(DIGITAL)		1		
	IC405	74AHC1G32GW-X	IC(DIGITAL)		1		
	IC700	R1154N092B-X	IC		1		

MODEL	MARK	MODEL	MARK	MODEL	MARK	MODEL	MARK
DNX7250DAB	E1	DNX7710BT	R1	DNX771HD	K1	DNX891HD	K0

Safe	Symbol No.	Parts No.	Parts Name	Description	QTY	Local
	Q1	LSCR523UBFS8	TRANSISTOR		1	E1
	Q2	LTA014YEB-X	DIGI TRANSISTOR		1	E1
	Q3	LSAR523UBFS8	TRANSISTOR		1	E1
	Q4	RT1E040RP-W	MOS FET		1	E1
	Q103	LSCR523UBFS8	TRANSISTOR		1	
	Q104	LSCR523UBFS8	TRANSISTOR		1	
	Q105	LSCR523UBFS8	TRANSISTOR		1	
	Q110	LTA014YEB-X	DIGI TRANSISTOR		1	E1
	Q112	LTC014YEBFS8	DIGI TRANSISTOR		1	E1
	Q113	LTA014YEB-X	DIGI TRANSISTOR		1	E1
	Q114	LSCR523UBFS8	TRANSISTOR		1	E1
	Q115	LSAR523UBFS8	TRANSISTOR		1	E1
	Q116	SSM3J334R-X	MOS FET		1	E1
	Q205	LSCR523UBFS8	TRANSISTOR		1	
	Q206	LTC014YEBFS8	DIGI TRANSISTOR		1	
	Q207	LTC014YEBFS8	DIGI TRANSISTOR		1	
	Q208	LTC014YEBFS8	DIGI TRANSISTOR		1	
	Q209	LTC014YEBFS8	DIGI TRANSISTOR		1	
	Q210	LTC014YEBFS8	DIGI TRANSISTOR		1	
	Q211	LTC014YEBFS8	DIGI TRANSISTOR		1	
	Q301	LSAR523UBFS8	TRANSISTOR		1	
	Q306	LSCR523UBFS8	TRANSISTOR		1	
	Q307	LSAR523UBFS8	TRANSISTOR		1	
	Q308	LTC014YEBFS8	DIGI TRANSISTOR		1	
	Q309	LSCR523UBFS8	TRANSISTOR		1	
	Q417	LSCR523UBFS8	TRANSISTOR		1	
	Q418	LSCR523UBFS8	TRANSISTOR		1	
	Q419	LSAR523UBFS8	TRANSISTOR		1	
	Q420	LSCR523UBFS8	TRANSISTOR		1	
	Q421	RTQ035N03-W	MOS FET		1	
	Q422	LSAR523UBFS8	TRANSISTOR		1	
	Q423	LSAR523UBFS8	TRANSISTOR		1	
	Q424	LTC014YEBFS8	DIGI TRANSISTOR		1	
	Q425	LSCR523UBFS8	TRANSISTOR		1	
	Q426	LSCR523UBFS8	TRANSISTOR		1	
	Q427	LSCR523UBFS8	TRANSISTOR		1	
	Q428	LTC043ZEBFS8	DIGI TRANSISTOR		1	
	Q429	LTC043ZEBFS8	DIGI TRANSISTOR		1	
	Q501	2SC5585-E-X	TRANSISTOR		1	
	Q502	2SC5585-E-X	TRANSISTOR		1	
	Q503	2SA2018/F-X	TRANSISTOR		1	
	Q504	2SA2018/F-X	TRANSISTOR		1	
	Q505	LTA014YEB-X	DIGI TRANSISTOR		1	
	Q506	LSCR523UBFS8	TRANSISTOR		1	
	Q507	LSCR523UBFS8	TRANSISTOR		1	
	Q509	LSAR523UBFS8	TRANSISTOR		1	
	Q510	LTC043ZEBFS8	DIGI TRANSISTOR		1	
	Q700	LSCR523UBFS8	TRANSISTOR		1	
	Q701	LSAR523UBFS8	TRANSISTOR		1	
	Q702	LSAR523UBFS8	TRANSISTOR		1	
	Q703	LSCR523UBFS8	TRANSISTOR		1	
	Q704	LTC014YEBFS8	DIGI TRANSISTOR		1	
	Q705	LSAR523UBFS8	TRANSISTOR		1	
	Q706	LSCR523UBFS8	TRANSISTOR		1	
	Q707	LTC014YEBFS8	DIGI TRANSISTOR		1	
	Q708	LTA014YEB-X	DIGI TRANSISTOR		1	
	Q709	LTC014YEBFS8	DIGI TRANSISTOR		1	
	Q710	LSCR523UBFS8	TRANSISTOR		1	
	Q711	LSCR523UBFS8	TRANSISTOR		1	
	Q712	LSCR523UBFS8	TRANSISTOR		1	
	Q809	RT1E040RP-W	MOS FET		1	E1
	Q810	LSCR523UBFS8	TRANSISTOR		1	E1
	Q811	LTA014YEB-X	DIGI TRANSISTOR		1	E1
	Q812	LSAR523UBFS8	TRANSISTOR		1	E1
	D1	NAF0008-800X	VARIATOR(ZNR)		1	
	D2	NAF0008-800X	VARIATOR(ZNR)		1	
	D3	NAF0008-800X	VARIATOR(ZNR)		1	
	D4	NAF0008-800X	VARIATOR(ZNR)		1	
	D5	NAF0008-800X	VARIATOR(ZNR)		1	
	D102	NAF0042-270X	VARIATOR(ZNR)		1	
	D103	NAF0042-270X	VARIATOR(ZNR)		1	
	D111	NAF0043-8R0X	VARIATOR(ZNR)		1	
	D112	NAF0043-8R0X	VARIATOR(ZNR)		1	
	D113	NAF0043-8R0X	VARIATOR(ZNR)		1	
	D114	NAF0043-8R0X	VARIATOR(ZNR)		1	
	D117	RB521S-30	SCHOTTKY DIODE		1	E1
	D118	RB521S-30	SCHOTTKY DIODE		1	E1
	D203	RB521S-30	SCHOTTKY DIODE		1	
	D302	DA2J101	DIODE		1	
	D400	SJPE-H4-X	SB DIODE		1	
	D401	DA2J101	DIODE		1	
	D402	DA2J101	DIODE		1	
	D404	DA2J101	DIODE		1	
	D405	DZ2J062M	Z DIODE		1	
	D503	NAF0042-270X	VARIATOR(ZNR)		1	
	D504	NAF0042-270X	VARIATOR(ZNR)		1	
	D505	NAF0042-270X	VARIATOR(ZNR)		1	
	D506	NAF0042-270X	VARIATOR(ZNR)		1	
	D801	RB521S-30	SCHOTTKY DIODE		1	E1
	D802	RB521S-30	SCHOTTKY DIODE		1	E1
	C1	CK73HXR0J105K	C CAPACITOR	1uF 6.3V K	1	E1
	C2	NCB31AK-105X	C CAPACITOR	1uF 10V K	1	E1

MODEL	MARK	MODEL	MARK	MODEL	MARK	MODEL	MARK
DNX7250DAB	E1	DNX7710BT	R1	DNX771HD	K1	DNX891HD	K0

Safe	Symbol No.	Parts No.	Parts Name	Description	QTY	Local
	C102	CK73HBB1A104K	C CAPACITOR	0.1uF 10V K	1	
	C103	CK73HBB1A104K	C CAPACITOR	0.1uF 10V K	1	
	C104	CK73HBB1A104K	C CAPACITOR	0.1uF 10V K	1	
	C105	NCJ20JM-226X-A	C CAPACITOR	22uF 6.3V M	1	
	C108	CK73HBB1H102K	C CAPACITOR	1000pF 50V K	1	
	C109	NCB31HK-104X	C CAPACITOR	0.1uF 50V K	1	
	C110	CK73HBB1E103K	C CAPACITOR	0.01uF 25V K	1	
	C117	CK73EXR1E106K	C CAPACITOR	10uF 25V K	1	E1
	C118	NCB31HK-104X	C CAPACITOR	0.1uF 50V K	1	E1
	C201	CC73HCH1H101J	C CAPACITOR	100pF 50V J	1	
	C202	CK73HBB1A104K	C CAPACITOR	0.1uF 10V K	1	
	C203	CK73HBB1A104K	C CAPACITOR	0.1uF 10V K	1	
	C204	CK73HBB1A104K	C CAPACITOR	0.1uF 10V K	1	
	C205	CK73HBB1A104K	C CAPACITOR	0.1uF 10V K	1	
	C206	CC73HCH1H150J	C CAPACITOR	15pF 50V J	1	
	C207	CC73HCH1H070D	C CAPACITOR	7pF 50V D	1	
	C208	CK73HBB1A104K	C CAPACITOR	0.1uF 10V K	1	
	C212	CK73GXR0J106M	C CAPACITOR	10uF 6.3V M	1	
	C213	CK73HXR0J105K	C CAPACITOR	1uF 6.3V K	1	
	C214	CK73HXR0J105K	C CAPACITOR	1uF 6.3V K	1	
	C215	CK73GXR0J106M	C CAPACITOR	10uF 6.3V M	1	
	C219	CK73HXR0J105K	C CAPACITOR	1uF 6.3V K	1	
	C220	CK73HXR0J105K	C CAPACITOR	1uF 6.3V K	1	
	C221	CC73HCH1H221J	C CAPACITOR	220pF 50V J	1	
	C222	CK73HBB1A104K	C CAPACITOR	0.1uF 10V K	1	E1
	C223	CK73HBB1A104K	C CAPACITOR	0.1uF 10V K	1	
	C225	CK73HBB1A104K	C CAPACITOR	0.1uF 10V K	1	
	C227	CC73HCH1H101J	C CAPACITOR	100pF 50V J	1	
	C228	CC73HCH1H101J	C CAPACITOR	100pF 50V J	1	
	C229	CC73HCH1H101J	C CAPACITOR	100pF 50V J	1	
	C230	CC73HCH1H101J	C CAPACITOR	100pF 50V J	1	
	C302	CK73HBB1A104K	C CAPACITOR	0.1uF 10V K	1	
	C303	CK73GXR0J106M	C CAPACITOR	10uF 6.3V M	1	
	C304	CK73HBB1A104K	C CAPACITOR	0.1uF 10V K	1	
	C305	CK73HXR0J105K	C CAPACITOR	1uF 6.3V K	1	
	C307	CK73HBB1E103K	C CAPACITOR	0.01uF 25V K	1	
	C308	CC73HCH1H101J	C CAPACITOR	100pF 50V J	1	
	C309	CK73GXR0J106M	C CAPACITOR	10uF 6.3V M	1	
	C310	CK73GXR0J106M	C CAPACITOR	10uF 6.3V M	1	
	C311	CK73HBB1A104K	C CAPACITOR	0.1uF 10V K	1	
	C313	CK73HXR0J105K	C CAPACITOR	1uF 6.3V K	1	
	C314	CK73HXR0J105K	C CAPACITOR	1uF 6.3V K	1	
	C315	CK73HBB1A104K	C CAPACITOR	0.1uF 10V K	1	
	C316	CK73HXR0J105K	C CAPACITOR	1uF 6.3V K	1	
	C317	CK73HBB1A104K	C CAPACITOR	0.1uF 10V K	1	
	C318	NCJ20JM-226X-A	C CAPACITOR	22uF 6.3V M	1	
	C319	CK73HBB1A104K	C CAPACITOR	0.1uF 10V K	1	
	C320	CK73HBB1A104K	C CAPACITOR	0.1uF 10V K	1	
	C321	CK73HBB1A104K	C CAPACITOR	0.1uF 10V K	1	
	C322	CK73HBB1A104K	C CAPACITOR	0.1uF 10V K	1	
	C324	CC73HCH1H470J	C CAPACITOR	47pF 50V J	1	
	C328	CK73HBB1A104K	C CAPACITOR	0.1uF 10V K	1	
	C329	CK73HBB1A104K	C CAPACITOR	0.1uF 10V K	1	
	C330	CK73HBB1E103K	C CAPACITOR	0.01uF 25V K	1	
	C331	CK73HBB1A104K	C CAPACITOR	0.1uF 10V K	1	
	C332	CK73HBB1A104K	C CAPACITOR	0.1uF 10V K	1	
	C333	CK73HXR0J105K	C CAPACITOR	1uF 6.3V K	1	
	C334	CK73HBB1A104K	C CAPACITOR	0.1uF 10V K	1	
	C335	CC73HCH1H101J	C CAPACITOR	100pF 50V J	1	
	C336	CC73HCH1H101J	C CAPACITOR	100pF 50V J	1	
	C337	CK73HBB1A104K	C CAPACITOR	0.1uF 10V K	1	
	C338	CC73HCH1H120J	C CAPACITOR	12pF 50V J	1	
	C339	CC73HCH1H070D	C CAPACITOR	7pF 50V D	1	
	C342	CK73HXR0J105K	C CAPACITOR	1uF 6.3V K	1	
	C343	CK73HBB1A104K	C CAPACITOR	0.1uF 10V K	1	
	C344	CK73HBB1A104K	C CAPACITOR	0.1uF 10V K	1	
	C345	CK73HBB1H102K	C CAPACITOR	1000pF 50V K	1	
	C347	NCB31AK-105X	C CAPACITOR	1uF 10V K	1	
	C348	CK73HBB1A104K	C CAPACITOR	0.1uF 10V K	1	
	C349	CK73HBB1H102K	C CAPACITOR	1000pF 50V K	1	
	C350	CK73HBB1H102K	C CAPACITOR	1000pF 50V K	1	
	C351	CK73HBB1H102K	C CAPACITOR	1000pF 50V K	1	
	C352	CK73HBB1H102K	C CAPACITOR	1000pF 50V K	1	
	C353	CK73HBB1H102K	C CAPACITOR	1000pF 50V K	1	
	C354	CK73HBB1H102K	C CAPACITOR	1000pF 50V K	1	
	C355	CK73HBB1H102K	C CAPACITOR	1000pF 50V K	1	
	C356	CC73HCH1H101J	C CAPACITOR	100pF 50V J	1	
	C357	CK73HBB1H102K	C CAPACITOR	1000pF 50V K	1	
	C358	CK73HBB1A104K	C CAPACITOR	0.1uF 10V K	1	
	C359	CK73HBB1A104K	C CAPACITOR	0.1uF 10V K	1	
	C360	CK73HBB1A104K	C CAPACITOR	0.1uF 10V K	1	
	C361	CK73HBB1A104K	C CAPACITOR	0.1uF 10V K	1	
	C362	CK73HBB1A104K	C CAPACITOR	0.1uF 10V K	1	
	C363	CK73HBB1A104K	C CAPACITOR	0.1uF 10V K	1	
	C364	CK73HBB1A104K	C CAPACITOR	0.1uF 10V K	1	
	C365	CK73HBB1A104K	C CAPACITOR	0.1uF 10V K	1	
	C366	CK73HBB1H102K	C CAPACITOR	1000pF 50V K	1	
	C367	CK73HXR0J105K	C CAPACITOR	1uF 6.3V K	1	
	C368	CK73HXR0J105K	C CAPACITOR	1uF 6.3V K	1	
	C369	CK73HBB1A104K	C CAPACITOR	0.1uF 10V K	1	
	C370	CK73HBB1A104K	C CAPACITOR	0.1uF 10V K	1	
	C400	CK73GXR1E105K	C CAPACITOR	1uF 25V K	1	E1

MODEL	MARK	MODEL	MARK	MODEL	MARK	MODEL	MARK
DNX7250DAB	E1	DNX7710BT	R1	DNX771HD	K1	DNX891HD	K0

Safe	Symbol No.	Parts No.	Parts Name	Description	QTY	Local
	C401	CK730BP1H471J	C CAPACITOR	470pF 50V J	1	
	C403	CK730DH1H104K	C CAPACITOR	0.1uF 50V K	1	
	C404	CK730BG1E106K	C CAPACITOR	10uF 25V K	1	
	C405	CK730CW1E103K	C CAPACITOR	0.01uF 25V K	1	
	C406	CK730DH1H104K	C CAPACITOR	0.1uF 50V K	1	
	C407	CK730BG1E106K	C CAPACITOR	10uF 25V K	1	
	C408	CK730BG1E106K	C CAPACITOR	10uF 25V K	1	
	C410	CK730CW1A104K	C CAPACITOR	0.1uF 10V K	1	
	C411	CK730AV0J105K	C CAPACITOR	1uF 6.3V K	1	
	C412	CC73GCH1H391J	C CAPACITOR	390pF 50V J	1	
	C413	NCJ21EK-475X-G	C CAPACITOR	4.7uF 25V K	1	R1,K1,K0
	C414	CK730AV0J105K	C CAPACITOR	1uF 6.3V K	1	
	C416	CK730BG1E106K	C CAPACITOR	10uF 25V K	1	
	C417	CK730CW1A104K	C CAPACITOR	0.1uF 10V K	1	
	C418	CK730DH1H104K	C CAPACITOR	0.1uF 50V K	1	
	C419	CK730CW1A104K	C CAPACITOR	0.1uF 10V K	1	
	C420	CK730CW1A104K	C CAPACITOR	0.1uF 10V K	1	
	C422	CK730AV0J105K	C CAPACITOR	1uF 6.3V K	1	
	C423	CK730BG1E106K	C CAPACITOR	10uF 25V K	1	
	C424	CK730BG1E106K	C CAPACITOR	10uF 25V K	1	
	C425	CK730CW1E103K	C CAPACITOR	0.01uF 25V K	1	
	C426	NCJ20JM-226X-A	C CAPACITOR	22uF 6.3V M	1	
	C427	NCJ20JM-226X-A	C CAPACITOR	22uF 6.3V M	1	
	C428	CK73GXR1E105K	C CAPACITOR	1uF 25V K	1	
	C503	CK73GXR0J106M	C CAPACITOR	10uF 6.3V M	1	
	C601	CK73HXR0J105K	C CAPACITOR	1uF 6.3V K	1	
	C602	NCJ21EK-475X-G	C CAPACITOR	4.7uF 25V K	1	
	C603	NCB31HK-104X	C CAPACITOR	0.1uF 50V K	1	
	C604	CK73HBB1E103K	C CAPACITOR	0.01uF 25V K	1	
	C605	NCJ21EK-475X-G	C CAPACITOR	4.7uF 25V K	1	
	C606	CK73HBB1A104K	C CAPACITOR	0.1uF 10V K	1	
	C607	CK73HBB1E103K	C CAPACITOR	0.01uF 25V K	1	
	C610	CK73GXR0J106M	C CAPACITOR	10uF 6.3V M	1	
	C611	CK73HBB1A104K	C CAPACITOR	0.1uF 10V K	1	
	C612	CK73HBB1E103K	C CAPACITOR	0.01uF 25V K	1	
	C616	NCJ21CK-106X-R	C CAPACITOR	10uF 16V K	1	
	C617	NCJ21CK-106X-R	C CAPACITOR	10uF 16V K	1	
	C618	NCB31HK-104X	C CAPACITOR	0.1uF 50V K	1	
	C619	CK73HBB1E103K	C CAPACITOR	0.01uF 25V K	1	
	C620	CK73HBB1A104K	C CAPACITOR	0.1uF 10V K	1	
	C621	CK73HBB1A104K	C CAPACITOR	0.1uF 10V K	1	
	C622	CK73HBB1A104K	C CAPACITOR	0.1uF 10V K	1	
	C623	CK73HBB1A104K	C CAPACITOR	0.1uF 10V K	1	
	C624	CK73HBB1A104K	C CAPACITOR	0.1uF 10V K	1	
	C625	CK73HBB1A104K	C CAPACITOR	0.1uF 10V K	1	
	C626	CK73HBB1A104K	C CAPACITOR	0.1uF 10V K	1	
	C627	CK73HBB1A104K	C CAPACITOR	0.1uF 10V K	1	
	C628	NCB31HK-104X	C CAPACITOR	0.1uF 50V K	1	
	C629	NCB31HK-104X	C CAPACITOR	0.1uF 50V K	1	
	C700	CK73GXR1E105K	C CAPACITOR	1uF 25V K	1	
	C701	NCJ21CK-106X-R	C CAPACITOR	10uF 16V K	1	
	C702	NCJ21EK-475X-G	C CAPACITOR	4.7uF 25V K	1	
	C703	NCB31HK-104X	C CAPACITOR	0.1uF 50V K	1	
	C704	NCB31AK-105X	C CAPACITOR	1uF 10V K	1	
	C705	NCJ21CK-106X-R	C CAPACITOR	10uF 16V K	1	
	C802	CK73HXR0J105K	C CAPACITOR	1uF 6.3V K	1	E1
	C803	CK73HBB1A104K	C CAPACITOR	0.1uF 10V K	1	E1
	C902	NCJ20JM-226X-A	C CAPACITOR	22uF 6.3V M	1	
	C903	NCJ20JM-226X-A	C CAPACITOR	22uF 6.3V M	1	
	R1	RK73HB1J103J	MG RESISTOR	10kΩ 1/16W J	1	E1
	R2	RK73HB1J473J	MG RESISTOR	47kΩ 1/16W J	1	E1
	R3	RK73HB1J101J	MG RESISTOR	100Ω 1/16W J	1	E1
	R4	RK73HB1J103J	MG RESISTOR	10kΩ 1/16W J	1	E1
	R5	RK73HB1J471J	MG RESISTOR	470Ω 1/16W J	1	E1
	R6	RK73HB1J104J	MG RESISTOR	100kΩ 1/16W J	1	E1
	R101	RK73HB1J000J	MG RESISTOR	0Ω 1/16W J	1	
	R102	RK73HB1J100J	MG RESISTOR	10Ω 1/16W J	1	
	R103	RK73HB1J100J	MG RESISTOR	10Ω 1/16W J	1	
	R104	RK73HB1J100J	MG RESISTOR	10Ω 1/16W J	1	
	R108	RK73HB1J000J	MG RESISTOR	0Ω 1/16W J	1	
	R110	RK73HB1J101J	MG RESISTOR	100Ω 1/16W J	1	E1
	R141	RK73GB2A000J	MG RESISTOR	0Ω 1/10W J	1	R1,K1,K0
	R142	RK73HB1J101J	MG RESISTOR	100Ω 1/16W J	1	
	R143	RK73HB1J101J	MG RESISTOR	100Ω 1/16W J	1	
	R145	RK73HB1J101J	MG RESISTOR	100Ω 1/16W J	1	
	R154	RK73HB1J470J	MG RESISTOR	47Ω 1/16W J	1	
	R155	RK73GB2A470J	MG RESISTOR	47Ω 1/10W J	1	
	R157	RK73GB2A000J	MG RESISTOR	0Ω 1/10W J	1	R1,K1,K0
	R158	RK73HB1J473J	MG RESISTOR	47kΩ 1/16W J	1	
	R159	RK73HB1J473J	MG RESISTOR	47kΩ 1/16W J	1	
	R160	RK73HB1J473J	MG RESISTOR	47kΩ 1/16W J	1	
	R161	RK73GB2A100J	MG RESISTOR	10Ω 1/10W J	1	
	R162	RK73GB2A100J	MG RESISTOR	10Ω 1/10W J	1	
	R163	RK73GB2A101J	MG RESISTOR	100Ω 1/10W J	1	
	R164	RK73GB2A100J	MG RESISTOR	10Ω 1/10W J	1	
	R165	RK73GB2A100J	MG RESISTOR	10Ω 1/10W J	1	
	R166	RK73GB2A100J	MG RESISTOR	10Ω 1/10W J	1	
	R167	RK73GB2A100J	MG RESISTOR	10Ω 1/10W J	1	
	R168	RK73GB2A100J	MG RESISTOR	10Ω 1/10W J	1	
	R169	RK73GB2A100J	MG RESISTOR	10Ω 1/10W J	1	
	R170	RK73GB2A100J	MG RESISTOR	10Ω 1/10W J	1	
	R171	RK73GB2A221J	MG RESISTOR	220Ω 1/10W J	1	
	R172	RK73GB2A100J	MG RESISTOR	10Ω 1/10W J	1	

MODEL	MARK	MODEL	MARK	MODEL	MARK	MODEL	MARK
DNX7250DAB	E1	DNX7710BT	R1	DNX771HD	K1	DNX891HD	K0

Safe	Symbol No.	Parts No.	Parts Name	Description	QTY	Local
	R174	RK73HH1J301D	MG RESISTOR	300Ω 1/16W D	1	
	R176	RK73HH1J301D	MG RESISTOR	300Ω 1/16W D	1	
	R178	RK73HH1J301D	MG RESISTOR	300Ω 1/16W D	1	
	R180	RK73HB1J101J	MG RESISTOR	100Ω 1/16W J	1	
	R185	RK73HB1J101J	MG RESISTOR	100Ω 1/16W J	1	
	R188	RK73HB1J101J	MG RESISTOR	100Ω 1/16W J	1	
	R199	RK73GB2A100J	MG RESISTOR	10Ω 1/10W J	1	R1,K1,K0
	R200	RK73GB2A152J	MG RESISTOR	1.5kΩ 1/10W J	1	E1
	R201	RK73HB1J473J	MG RESISTOR	47kΩ 1/16W J	1	
	R202	RK73HB1J473J	MG RESISTOR	47kΩ 1/16W J	1	
	R203	RK73HB1J473J	MG RESISTOR	47kΩ 1/16W J	1	
	R204	RK73HB1J272J	MG RESISTOR	2.7kΩ 1/16W J	1	
	R205	RK73HB1J272J	MG RESISTOR	2.7kΩ 1/16W J	1	
	R206	RK73HB1J101J	MG RESISTOR	100Ω 1/16W J	1	
	R207	RK73HB1J101J	MG RESISTOR	100Ω 1/16W J	1	
	R208	RK73HB1J101J	MG RESISTOR	100Ω 1/16W J	1	
	R209	RK73HB1J101J	MG RESISTOR	100Ω 1/16W J	1	
	R210	RK73HB1J103J	MG RESISTOR	10kΩ 1/16W J	1	
	R211	RK73HB1J103J	MG RESISTOR	10kΩ 1/16W J	1	
	R212	RK73HB1J101J	MG RESISTOR	100Ω 1/16W J	1	
	R213	RK73HB1J101J	MG RESISTOR	100Ω 1/16W J	1	
	R214	RK73HB1J101J	MG RESISTOR	100Ω 1/16W J	1	
	R215	RK73HB1J473J	MG RESISTOR	47kΩ 1/16W J	1	
	R217	RK73HB1J101J	MG RESISTOR	100Ω 1/16W J	1	
	R218	RK73HB1J473J	MG RESISTOR	47kΩ 1/16W J	1	
	R220	RK73HB1J101J	MG RESISTOR	100Ω 1/16W J	1	
	R221	RK73HB1J473J	MG RESISTOR	47kΩ 1/16W J	1	
	R222	RK73HB1J101J	MG RESISTOR	100Ω 1/16W J	1	
	R224	RK73HB1J473J	MG RESISTOR	47kΩ 1/16W J	1	
	R225	RK73HB1J101J	MG RESISTOR	100Ω 1/16W J	1	
	R228	RK73HB1J473J	MG RESISTOR	47kΩ 1/16W J	1	
	R229	RK73HB1J103J	MG RESISTOR	10kΩ 1/16W J	1	
	R231	RK73HB1J101J	MG RESISTOR	100Ω 1/16W J	1	
	R232	RK73HB1J272J	MG RESISTOR	2.7kΩ 1/16W J	1	
	R233	RK73HB1J101J	MG RESISTOR	100Ω 1/16W J	1	
	R234	RK73HB1J222J	MG RESISTOR	2.2kΩ 1/16W J	1	
	R235	RK73HB1J473J	MG RESISTOR	47kΩ 1/16W J	1	
	R236	RK73HB1J101J	MG RESISTOR	100Ω 1/16W J	1	
	R237	RK73HB1J000J	MG RESISTOR	0Ω 1/16W J	1	
	R238	RK73HB1J470J	MG RESISTOR	47Ω 1/16W J	1	
	R239	RK73HB1J472J	MG RESISTOR	4.7kΩ 1/16W J	1	
	R240	RK73HB1J101J	MG RESISTOR	100Ω 1/16W J	1	
	R241	RK73HB1J154J	MG RESISTOR	150kΩ 1/16W J	1	
	R242	RK73HB1J472J	MG RESISTOR	4.7kΩ 1/16W J	1	
	R243	RK73HB1J101J	MG RESISTOR	100Ω 1/16W J	1	
	R244	RK73HB1J101J	MG RESISTOR	100Ω 1/16W J	1	
	R245	RK73GB2A100J	MG RESISTOR	10Ω 1/10W J	1	
	R246	RK73HB1J104J	MG RESISTOR	100kΩ 1/16W J	1	E1
	R247	RK73HB1J101J	MG RESISTOR	100Ω 1/16W J	1	
	R248	RK73HB1J473J	MG RESISTOR	47kΩ 1/16W J	1	
	R249	RK73HB1J101J	MG RESISTOR	100Ω 1/16W J	1	E1
	R250	RK73HB1J153J	MG RESISTOR	15kΩ 1/16W J	1	E1
	R251	RK73HB1J620J	MG RESISTOR	62Ω 1/16W J	1	E1
	R252	RK73HB1J101J	MG RESISTOR	100Ω 1/16W J	1	
	R253	RK73HB1J302J	MG RESISTOR	3kΩ 1/16W J	1	E1
	R254	RK73HB1J471J	MG RESISTOR	470Ω 1/16W J	1	E1
	R255	RK73HB1J470J	MG RESISTOR	47Ω 1/16W J	1	
	R256	RK73HB1J102J	MG RESISTOR	1kΩ 1/16W J	1	
	R257	RK73HB1J101J	MG RESISTOR	100Ω 1/16W J	1	
	R258	RK73HB1J274J	MG RESISTOR	270kΩ 1/16W J	1	E1
	R259	RK73HB1J101J	MG RESISTOR	100Ω 1/16W J	1	E1
	R261	RK73HB1J101J	MG RESISTOR	100Ω 1/16W J	1	
	R263	RK73HB1J123J	MG RESISTOR	12kΩ 1/16W J	1	
	R264	RK73HB1J473J	MG RESISTOR	47kΩ 1/16W J	1	
	R265	RK73HB1J104J	MG RESISTOR	100kΩ 1/16W J	1	
	R277	RK73HB1J101J	MG RESISTOR	100Ω 1/16W J	1	
	R278	RK73HB1J473J	MG RESISTOR	47kΩ 1/16W J	1	E1
	R279	RK73HB1J473J	MG RESISTOR	47kΩ 1/16W J	1	E1
	R280	RK73HB1J473J	MG RESISTOR	47kΩ 1/16W J	1	E1
	R281	RK73HB1J472J	MG RESISTOR	4.7kΩ 1/16W J	1	
	R282	RK73HB1J103J	MG RESISTOR	10kΩ 1/16W J	1	
	R283	RK73HB1J101J	MG RESISTOR	100Ω 1/16W J	1	
	R284	RK73HB1J472J	MG RESISTOR	4.7kΩ 1/16W J	1	
	R285	RK73HB1J472J	MG RESISTOR	4.7kΩ 1/16W J	1	
	R286	RK73HB1J104J	MG RESISTOR	100kΩ 1/16W J	1	
	R287	RK73HB1J103J	MG RESISTOR	10kΩ 1/16W J	1	
	R288	RK73HB1J101J	MG RESISTOR	100Ω 1/16W J	1	
	R289	RK73HB1J000J	MG RESISTOR	0Ω 1/16W J	1	R1,K1,K0
	R290	RK73HB1J000J	MG RESISTOR	0Ω 1/16W J	1	R1,K1,K0
	R291	RK73HB1J000J	MG RESISTOR	0Ω 1/16W J	1	R1,K1,K0
	R294	RK73HB1J123J	MG RESISTOR	12kΩ 1/16W J	1	
	R299	RK73HB1J101J	MG RESISTOR	100Ω 1/16W J	1	
	R301	RK73HB1J473J	MG RESISTOR	47kΩ 1/16W J	1	
	R302	RK73HB1J473J	MG RESISTOR	47kΩ 1/16W J	1	
	R304	RK73HB1J101J	MG RESISTOR	100Ω 1/16W J	1	
	R305	RK73HB1J101J	MG RESISTOR	100Ω 1/16W J	1	
	R306	RK73HB1J473J	MG RESISTOR	47kΩ 1/16W J	1	
	R307	RK73HB1J101J	MG RESISTOR	100Ω 1/16W J	1	
	R308	RK73HB1J473J	MG RESISTOR	47kΩ 1/16W J	1	
	R309	RK73HB1J102J	MG RESISTOR	1kΩ 1/16W J	1	
	R310	RK73HH1J123D	MG RESISTOR	12kΩ 1/16W D	1	
	R311	RK73HH1J392D	MG RESISTOR	3.9kΩ 1/16W D	1	

MODEL	MARK	MODEL	MARK	MODEL	MARK	MODEL	MARK
DNX7250DAB	E1	DNX7710BT	R1	DNX771HD	K1	DNX891HD	K0

Safe	Symbol No.	Parts No.	Parts Name	Description	QTY	Local
	R312	RK73HH1J472D	MG RESISTOR	4.7kΩ 1/16W D	1	
	R313	RK73HH1J512D	MG RESISTOR	5.1kΩ 1/16W D	1	
	R314	RK73HB1J473J	MG RESISTOR	47kΩ 1/16W J	1	
	R315	RK73HB1J473J	MG RESISTOR	47kΩ 1/16W J	1	
	R317	RK73HB1J101J	MG RESISTOR	100Ω 1/16W J	1	
	R318	RK73HB1J101J	MG RESISTOR	100Ω 1/16W J	1	
	R321	RK73HB1J473J	MG RESISTOR	47kΩ 1/16W J	1	
	R322	RK73HB1J473J	MG RESISTOR	47kΩ 1/16W J	1	
	R323	RK73HB1J330J	MG RESISTOR	33Ω 1/16W J	1	
	R324	RK73HB1J330J	MG RESISTOR	33Ω 1/16W J	1	
	R325	RK73HB1J330J	MG RESISTOR	33Ω 1/16W J	1	
	R327	RK73HB1J103J	MG RESISTOR	10kΩ 1/16W J	1	
	R328	RK73HB1J472J	MG RESISTOR	4.7kΩ 1/16W J	1	
	R329	RK73HB1J472J	MG RESISTOR	4.7kΩ 1/16W J	1	
	R330	RK73HB1J101J	MG RESISTOR	100Ω 1/16W J	1	
	R331	RK73HB1J102J	MG RESISTOR	1kΩ 1/16W J	1	
	R332	RK73HB1J472J	MG RESISTOR	4.7kΩ 1/16W J	1	
	R333	RK73HB1J102J	MG RESISTOR	1kΩ 1/16W J	1	
	R334	RK73HB1J101J	MG RESISTOR	100Ω 1/16W J	1	
	R335	RK73FB2B392J	MG RESISTOR	3.9kΩ 1/8W J	1	
	R337	RK73HB1J104J	MG RESISTOR	100kΩ 1/16W J	1	
	R338	RK73HB1J101J	MG RESISTOR	100Ω 1/16W J	1	
	R339	RK73HB1J101J	MG RESISTOR	100Ω 1/16W J	1	
	R340	RK73HB1J101J	MG RESISTOR	100Ω 1/16W J	1	
	R341	RK73HB1J000J	MG RESISTOR	0Ω 1/16W J	1	
	R342	RK73HH1J330D	MG RESISTOR	33Ω 1/16W D	1	
	R344	RK73HB1J101J	MG RESISTOR	100Ω 1/16W J	1	
	R345	RK73HB1J101J	MG RESISTOR	100Ω 1/16W J	1	
	R346	RK73HB1J102J	MG RESISTOR	1kΩ 1/16W J	1	
	R347	RK73HH1J131D	MG RESISTOR	130Ω 1/16W D	1	
	R348	RK73HH1J131D	MG RESISTOR	130Ω 1/16W D	1	
	R349	RK73HH1J131D	MG RESISTOR	130Ω 1/16W D	1	
	R350	RK73HB1J101J	MG RESISTOR	100Ω 1/16W J	1	
	R351	RK73HB1J101J	MG RESISTOR	100Ω 1/16W J	1	
	R352	RK73HB1J101J	MG RESISTOR	100Ω 1/16W J	1	
	R353	RK73HB1J000J	MG RESISTOR	0Ω 1/16W J	1	
	R354	RK73HH1J330D	MG RESISTOR	33Ω 1/16W D	1	
	R355	RK73HB1J000J	MG RESISTOR	0Ω 1/16W J	1	
	R356	RK73HH1J330D	MG RESISTOR	33Ω 1/16W D	1	
	R357	RK73HB1J102J	MG RESISTOR	1kΩ 1/16W J	1	
	R358	RK73HB1J220J	MG RESISTOR	22Ω 1/16W J	1	
	R359	RK73HB1J000J	MG RESISTOR	0Ω 1/16W J	1	
	R360	RK73HH1J330D	MG RESISTOR	33Ω 1/16W D	1	
	R361	RK73HB1J470J	MG RESISTOR	47Ω 1/16W J	1	
	R362	RK73HB1J121J	MG RESISTOR	120Ω 1/16W J	1	
	R363	RK73HB1J105J	MG RESISTOR	1MΩ 1/16W J	1	
	R364	RK73HB1J222J	MG RESISTOR	2.2kΩ 1/16W J	1	
	R365	RK73HB1J101J	MG RESISTOR	100Ω 1/16W J	1	
	R366	RK73HB1J101J	MG RESISTOR	100Ω 1/16W J	1	
	R368	RK73HB1J101J	MG RESISTOR	100Ω 1/16W J	1	
	R369	RK73HB1J121J	MG RESISTOR	120Ω 1/16W J	1	
	R370	RK73HB1J470J	MG RESISTOR	47Ω 1/16W J	1	
	R371	RK73HB1J101J	MG RESISTOR	100Ω 1/16W J	1	
	R372	RK73HB1J101J	MG RESISTOR	100Ω 1/16W J	1	
	R373	RK73HB1J101J	MG RESISTOR	100Ω 1/16W J	1	
	R375	RK73HB1J101J	MG RESISTOR	100Ω 1/16W J	1	
	R385	RK73HB1J472J	MG RESISTOR	4.7kΩ 1/16W J	1	
	R386	RK73HB1J472J	MG RESISTOR	4.7kΩ 1/16W J	1	
	R387	RK73HB1J472J	MG RESISTOR	4.7kΩ 1/16W J	1	
	R388	RK73HB1J102J	MG RESISTOR	1kΩ 1/16W J	1	
	R389	RK73HB1J470J	MG RESISTOR	47Ω 1/16W J	1	
	R391	RK73HB1J430J	MG RESISTOR	43Ω 1/16W J	1	
	R395	RK73HB1J470J	MG RESISTOR	47Ω 1/16W J	1	
	R397	RK73HB1J101J	MG RESISTOR	100Ω 1/16W J	1	
	R398	RK73HB1J680J	MG RESISTOR	68Ω 1/16W J	1	
	R399	RK73HB1J680J	MG RESISTOR	68Ω 1/16W J	1	
	R400	RK73HB1J101J	MG RESISTOR	100Ω 1/16W J	1	
	R401	RK73HB1J101J	MG RESISTOR	100Ω 1/16W J	1	
	R402	RK73HB1J101J	MG RESISTOR	100Ω 1/16W J	1	
	R403	RK73HB1J473J	MG RESISTOR	47kΩ 1/16W J	1	
	R404	RK73HB1J000J	MG RESISTOR	0Ω 1/16W J	1	
	R405	RK73HH1J222D	MG RESISTOR	2.2kΩ 1/16W D	1	
	R406	RK73HH1J562D	MG RESISTOR	5.6kΩ 1/16W D	1	
	R407	RK73HB1J104J	MG RESISTOR	100kΩ 1/16W J	1	
	R409	RK73HB1J101J	MG RESISTOR	100Ω 1/16W J	1	
	R431	RK73GH2A391D	MG RESISTOR	390Ω 1/10W D	1	
	R432	RK73GH2A391D	MG RESISTOR	390Ω 1/10W D	1	
	R433	RK73GH2A391D	MG RESISTOR	390Ω 1/10W D	1	
	R434	RK73GH2A391D	MG RESISTOR	390Ω 1/10W D	1	
	R435	RK73GH2A391D	MG RESISTOR	390Ω 1/10W D	1	
	R436	RK73HB1J472J	MG RESISTOR	4.7kΩ 1/16W J	1	
	R437	RK73HB1J101J	MG RESISTOR	100Ω 1/16W J	1	
	R438	RK73HB1J101J	MG RESISTOR	100Ω 1/16W J	1	
	R439	RK73HB1J473J	MG RESISTOR	47kΩ 1/16W J	1	
	R440	RK73HB1J101J	MG RESISTOR	100Ω 1/16W J	1	
	R442	RK73HB1J472J	MG RESISTOR	4.7kΩ 1/16W J	1	
	R466	RK73HB1J000J	MG RESISTOR	0Ω 1/16W J	1	
	R467	RK73HB1J101J	MG RESISTOR	100Ω 1/16W J	1	
	R468	RK73HB1J101J	MG RESISTOR	100Ω 1/16W J	1	
	R469	RK73GH2A301D	MG RESISTOR	300Ω 1/10W D	1	
	R470	RK73GH2A301D	MG RESISTOR	300Ω 1/10W D	1	
	R471	RK73GH2A391D	MG RESISTOR	390Ω 1/10W D	1	

MODEL	MARK	MODEL	MARK	MODEL	MARK	MODEL	MARK
DNX7250DAB	E1	DNX7710BT	R1	DNX771HD	K1	DNX891HD	K0

Safe	Symbol No.	Parts No.	Parts Name	Description	QTY	Local
	R472	RK73GH2A391D	MG RESISTOR	390Ω 1/10W D	1	
	R473	RK73HB1J102J	MG RESISTOR	1kΩ 1/16W J	1	
	R475	RK73GB2A511J	MG RESISTOR	510Ω 1/10W J	1	
	R476	RK73GB2A511J	MG RESISTOR	510Ω 1/10W J	1	
	R477	RK73EB2E200J	MG RESISTOR	20Ω 1/4W J	1	
	R478	RK73EB2E200J	MG RESISTOR	20Ω 1/4W J	1	
	R479	RK73HH1J394D	MG RESISTOR	390kΩ 1/16W D	1	
	R480	RK73HH1J104D	MG RESISTOR	100kΩ 1/16W D	1	
	R481	RK73HH1J393D	MG RESISTOR	39kΩ 1/16W D	1	
	R482	RK73HH1J152D	MG RESISTOR	1.5kΩ 1/16W D	1	
	R483	RK73HH1J223D	MG RESISTOR	22kΩ 1/16W D	1	
	R484	RK73HH1J122D	MG RESISTOR	1.2kΩ 1/16W D	1	
	R485	RK73HH1J391D	MG RESISTOR	390Ω 1/16W D	1	
	R486	RK73HB1J101J	MG RESISTOR	100Ω 1/16W J	1	
	R487	RK73HH1J563D	MG RESISTOR	56kΩ 1/16W D	1	
	R488	RK73HB1J4R7J	MG RESISTOR	4.7Ω 1/16W J	1	
	R489	RK73HB1J000J	MG RESISTOR	0Ω 1/16W J	1	
	R490	NRZ0126-R033X	MG RESISTOR	0.033Ω	1	
	R491	RK73HB1J103J	MG RESISTOR	10kΩ 1/16W J	1	
	R492	RK73HH1J473D	MG RESISTOR	47kΩ 1/16W D	1	
	R493	RK73GH2A302D	MG RESISTOR	3kΩ 1/10W D	1	
	R494	RK73HB1J473J	MG RESISTOR	47kΩ 1/16W J	1	
	R495	RK73HB1J473J	MG RESISTOR	47kΩ 1/16W J	1	
	R496	RK73FB2B101J	MG RESISTOR	100Ω 1/8W J	1	R1,K1,K0
	R497	RK73GB2A000J	MG RESISTOR	0Ω 1/10W J	1	E1
	R498	RK73HB1J101J	MG RESISTOR	100Ω 1/16W J	1	
	R499	RK73HB1J101J	MG RESISTOR	100Ω 1/16W J	1	
	R500	RK73HB1J101J	MG RESISTOR	100Ω 1/16W J	1	
	R501	RK73GH2A220D	MG RESISTOR	22Ω 1/10W D	1	
	R502	RK73GH2A100D	MG RESISTOR	10Ω 1/10W D	1	
	R503	RK73GH2A220D	MG RESISTOR	22Ω 1/10W D	1	
	R504	RK73GH2A100D	MG RESISTOR	10Ω 1/10W D	1	
	R505	RK73GH2A301D	MG RESISTOR	300Ω 1/10W D	1	
	R506	RK73GH2A301D	MG RESISTOR	300Ω 1/10W D	1	
	R507	RK73HB1J222J	MG RESISTOR	2.2kΩ 1/16W J	1	
	R508	RK73HB1J222J	MG RESISTOR	2.2kΩ 1/16W J	1	
	R509	RK73GH2A301D	MG RESISTOR	300Ω 1/10W D	1	
	R510	RK73GH2A391D	MG RESISTOR	390Ω 1/10W D	1	
	R511	RK73HB1J473J	MG RESISTOR	47kΩ 1/16W J	1	
	R512	RK73HB1J473J	MG RESISTOR	47kΩ 1/16W J	1	
	R513	RK73GH2A391D	MG RESISTOR	390Ω 1/10W D	1	
	R514	RK73GH2A391D	MG RESISTOR	390Ω 1/10W D	1	
	R515	RK73HB1J222J	MG RESISTOR	2.2kΩ 1/16W J	1	
	R516	RK73HB1J222J	MG RESISTOR	2.2kΩ 1/16W J	1	
	R517	RK73HB1J473J	MG RESISTOR	47kΩ 1/16W J	1	
	R518	RK73HB1J473J	MG RESISTOR	47kΩ 1/16W J	1	
	R519	RK73HB1J473J	MG RESISTOR	47kΩ 1/16W J	1	
	R520	RK73HB1J473J	MG RESISTOR	47kΩ 1/16W J	1	
	R521	RK73HB1J103J	MG RESISTOR	10kΩ 1/16W J	1	
	R522	RK73HB1J473J	MG RESISTOR	47kΩ 1/16W J	1	
	R523	RK73HB1J473J	MG RESISTOR	47kΩ 1/16W J	1	
	R525	RK73HB1J473J	MG RESISTOR	47kΩ 1/16W J	1	
	R526	RK73HB1J473J	MG RESISTOR	47kΩ 1/16W J	1	
	R528	RK73HB1J102J	MG RESISTOR	1kΩ 1/16W J	1	
	R529	RK73HH1J621D	MG RESISTOR	620Ω 1/16W D	1	
	R530	RK73HB1J473J	MG RESISTOR	47kΩ 1/16W J	1	
	R531	RK73GB2A511J	MG RESISTOR	510Ω 1/10W J	1	
	R532	RK73EB2E150J	MG RESISTOR	15Ω 1/4W J	1	
	R533	RK73EB2E150J	MG RESISTOR	15Ω 1/4W J	1	
	R534	RK73EB2E150J	MG RESISTOR	15Ω 1/4W J	1	
	R535	RK73EB2E150J	MG RESISTOR	15Ω 1/4W J	1	
	R536	RK73EB2E150J	MG RESISTOR	15Ω 1/4W J	1	
	R537	RK73EB2E150J	MG RESISTOR	15Ω 1/4W J	1	
	R538	RK73EB2E150J	MG RESISTOR	15Ω 1/4W J	1	
	R539	RK73EB2E150J	MG RESISTOR	15Ω 1/4W J	1	
	R541	NRZ0134-560X	MG RESISTOR	56Ω	1	
	R542	RK73GB2A100J	MG RESISTOR	10Ω 1/10W J	1	
	R543	RK73GB2A100J	MG RESISTOR	10Ω 1/10W J	1	
	R544	RK73GB2A100J	MG RESISTOR	10Ω 1/10W J	1	
	R545	RK73GB2A100J	MG RESISTOR	10Ω 1/10W J	1	
	R546	RK73HB1J102J	MG RESISTOR	1kΩ 1/16W J	1	
	R551	RK73GB2A224J	MG RESISTOR	220kΩ 1/10W J	1	
	R552	RK73HB1J000J	MG RESISTOR	0Ω 1/16W J	1	
	R601	RK73HB1J101J	MG RESISTOR	100Ω 1/16W J	1	
	R602	RK73EB2E392J	MG RESISTOR	3.9kΩ 1/4W J	1	
	R603	RK73HB1J000J	MG RESISTOR	0Ω 1/16W J	1	
	R604	RK73HB1J000J	MG RESISTOR	0Ω 1/16W J	1	
	R606	RK73HH1J620D	MG RESISTOR	62Ω 1/16W D	1	
	R607	RK73HH1J161D	MG RESISTOR	160Ω 1/16W D	1	
	R608	RK73HH1J430D	MG RESISTOR	43Ω 1/16W D	1	
	R609	RK73HH1J390D	MG RESISTOR	39Ω 1/16W D	1	
	R610	RK73HH1J101D	MG RESISTOR	100Ω 1/16W D	1	
	R611	RK73HH1J161D	MG RESISTOR	160Ω 1/16W D	1	
	R612	RK73HH1J101D	MG RESISTOR	100Ω 1/16W D	1	
	R613	RK73HH1J390D	MG RESISTOR	39Ω 1/16W D	1	
	R614	RK73HH1J430D	MG RESISTOR	43Ω 1/16W D	1	
	R615	RK73HH1J161D	MG RESISTOR	160Ω 1/16W D	1	
	R616	RK73HH1J820D	MG RESISTOR	82Ω 1/16W D	1	
	R617	RK73EB2E102J	MG RESISTOR	1kΩ 1/4W J	1	
	R618	RK73HB1J472J	MG RESISTOR	4.7kΩ 1/16W J	1	
	R628	RK73HB1J472J	MG RESISTOR	4.7kΩ 1/16W J	1	
	R700	RK73HB1J103J	MG RESISTOR	10kΩ 1/16W J	1	
	R701	RK73HB1J272J	MG RESISTOR	2.7kΩ 1/16W J	1	

MODEL	MARK	MODEL	MARK	MODEL	MARK	MODEL	MARK
DNX7250DAB	E1	DNX7710BT	R1	DNX771HD	K1	DNX891HD	K0

Safe	Symbol No.	Parts No.	Parts Name	Description	QTY	Local
	R702	RK73HB1J332J	MG RESISTOR	3.3kΩ 1/16W J	1	
	R703	RK73HB1J272J	MG RESISTOR	2.7kΩ 1/16W J	1	
	R704	RK73HH1J822D	MG RESISTOR	8.2kΩ 1/16W D	1	
	R705	RK73HH1J182D	MG RESISTOR	1.8kΩ 1/16W D	1	
	R706	RK73HH1J133D	MG RESISTOR	13kΩ 1/16W D	1	
	R707	RK73HH1J512D	MG RESISTOR	5.1kΩ 1/16W D	1	
	R708	RK73HB1J472J	MG RESISTOR	4.7kΩ 1/16W J	1	
	R709	RK73HB1J104J	MG RESISTOR	100kΩ 1/16W J	1	
	R710	RK73HB1J103J	MG RESISTOR	10kΩ 1/16W J	1	
	R711	RK73HB1J000J	MG RESISTOR	0Ω 1/16W J	1	
	R712	RK73EB2E360J	MG RESISTOR	36Ω 1/4W J	1	
	R713	RK73EB2E360J	MG RESISTOR	36Ω 1/4W J	1	
	R716	RK73HB1J104J	MG RESISTOR	100kΩ 1/16W J	1	
	R717	RK73HB1J104J	MG RESISTOR	100kΩ 1/16W J	1	
	R718	RK73HH1J561D	MG RESISTOR	560Ω 1/16W D	1	
	R719	RK73HH1J103D	MG RESISTOR	10kΩ 1/16W D	1	
	R720	RK73HH1J621D	MG RESISTOR	620Ω 1/16W D	1	
	R721	RK73HH1J103D	MG RESISTOR	10kΩ 1/16W D	1	
	R722	RK73HH1J272D	MG RESISTOR	2.7kΩ 1/16W D	1	
	R723	RK73HB1J000J	MG RESISTOR	0Ω 1/16W J	1	
	R801	RK73HB1J102J	MG RESISTOR	1kΩ 1/16W J	1	E1
	R802	RK73HB1J473J	MG RESISTOR	47kΩ 1/16W J	1	
	R818	RK73HB1J101J	MG RESISTOR	100Ω 1/16W J	1	E1
	R819	RK73HB1J473J	MG RESISTOR	47kΩ 1/16W J	1	E1
	R820	RK73HB1J153J	MG RESISTOR	15kΩ 1/16W J	1	E1
	R821	RK73HB1J101J	MG RESISTOR	100Ω 1/16W J	1	E1
	R822	RK73HB1J102J	MG RESISTOR	1kΩ 1/16W J	1	E1
	R823	RK73HB1J471J	MG RESISTOR	470Ω 1/16W J	1	E1
	R824	RK73HB1J204J	MG RESISTOR	200kΩ 1/16W J	1	E1
	R825	RK73GB2A000J	MG RESISTOR	0Ω 1/10W J	1	R1,K1,K0
	R923	RK73GB2A000J	MG RESISTOR	0Ω 1/10W J	1	
	R925	RK73GB2A000J	MG RESISTOR	0Ω 1/10W J	1	
	R926	RK73GB2A000J	MG RESISTOR	0Ω 1/10W J	1	
	R927	RK73GB2A2R2J	MG RESISTOR	2.2Ω 1/10W J	1	
	R928	RK73GB2A2R2J	MG RESISTOR	2.2Ω 1/10W J	1	
	R932	RK73GB2A000J	MG RESISTOR	0Ω 1/10W J	1	
	RA301	RK74HB1J101J	NET RESISTOR	100Ω 1/16W J	1	
	RA302	RK74HB1J101J	NET RESISTOR	100Ω 1/16W J	1	
	RA303	RK74HB1J101J	NET RESISTOR	100Ω 1/16W J	1	
	L100	LB73G0BF-003	CHIP FERRITE		1	
	L201	LB73G0BF-002	CHIP FERRITE		1	
	L301	LB73G0BF-003	CHIP FERRITE		1	
	L302	LB73G0BF-003	CHIP FERRITE		1	
	L318	LB73G0BF-003	CHIP FERRITE		1	
	L319	LB73G0BF-003	CHIP FERRITE		1	
	L326	LB73G0BF-003	CHIP FERRITE		1	
	L400	NQR0719-001X	CHOKE COIL		1	
	L401	NQR0716-001X	FERRITE CORE		1	
	L402	NQL77GK-100X	COIL	10uH K	1	
	L501	NQL77GK-100X	COIL	10uH K	1	
	L604	NQR0717-001X	FERRITE CORE		1	
	CN101	QGF0572F1-60X	CONNECTOR	FFC/FPC (1-60)	1	
	CN102	QGF0534F7-22X	CONNECTOR	FFC/FPC (1-22)	1	
	CN201	QGF0545F2-10X	CONNECTOR	FFC/FPC (1-10)	1	
	CN402	QGA1002F1-02X	CONNECTOR	W-B (1-2)	1	
	CN501	QGF1039F5-04X	CONNECTOR	FFC/FPC (1-4)	1	
	CN601	QGF0534F7-60X	CONNECTOR	FFC/FPC (1-60)	1	
	S101	NSW0355-001X	DETECT SWITCH		1	E1
	X201	NAX1201-001X	CRYSTAL		1	
	X301	NAX1260-001X	CRYSTAL		1	
PANEL1 PWB ASSY (LVA11319-01A) <PA>						
	IC1	PIC95603-X	IR DETECT UNIT		1	
	D2	SML-D12V8W/NPQX	LED		1	
	D4	NSSM124T-W	LED		1	
	D5	NSSM124T-W	LED		1	
	D6	NSSM124T-W	LED		1	
	D7	NSSM124T-W	LED		1	
	C2	NCB31AK-105X	C CAPACITOR	1uF 10V K	1	
	C4	NCB31AK-105X	C CAPACITOR	1uF 10V K	1	
	C5	NCB31AK-105X	C CAPACITOR	1uF 10V K	1	
	C6	NCB31AK-105X	C CAPACITOR	1uF 10V K	1	
	C8	NCB31AK-105X	C CAPACITOR	1uF 10V K	1	
	C9	NCB31AK-105X	C CAPACITOR	1uF 10V K	1	
	C10	NCB31AK-105X	C CAPACITOR	1uF 10V K	1	
	R1	RK73GB2A303J	MG RESISTOR	30kΩ 1/10W J	1	
	R2	RK73GB2A103J	MG RESISTOR	10kΩ 1/10W J	1	
	R3	RK73GB2A512J	MG RESISTOR	5.1kΩ 1/10W J	1	
	R4	RK73GB2A302J	MG RESISTOR	3kΩ 1/10W J	1	
	CN1	QGF0545F2-17X	CONNECTOR	FFC/FPC (1-17)	1	
	S1	NSW0342-001X	TACT SWITCH		1	
	S2	NSW0335-001X	TACT SWITCH		1	
	S3	NSW0335-001X	TACT SWITCH		1	
	S4	NSW0335-001X	TACT SWITCH		1	
	S5	NSW0335-001X	TACT SWITCH		1	
	S6	NSW0335-001X	TACT SWITCH		1	
	S7	NSW0335-001X	TACT SWITCH		1	
	S8	NSW0335-001X	TACT SWITCH		1	
TDF PWB ASSY (LVA11323-01A) <TD>						
	Q1	LSCR523UBFS8	TRANSISTOR		1	E1
	D5	NAF0043-8R0X	VARIATOR(ZNR)		1	E1
	D6	NAF0042-270X	VARIATOR(ZNR)		1	E1

MODEL	MARK	MODEL	MARK	MODEL	MARK	MODEL	MARK
DNX7250DAB	E1	DNX7710BT	R1	DNX771HD	K1	DNX891HD	K0

Safe	Symbol No.	Parts No.	Parts Name	Description	QTY	Local
	D7	NAF0042-270X	VARISTOR(ZNR)		1	E1
	D8	NAF0043-8R0X	VARISTOR(ZNR)		1	E1
	D9	NAF0043-8R0X	VARISTOR(ZNR)		1	E1
	D10	NAF0008-800X	VARISTOR(ZNR)		1	E1
	D11	NAF0043-8R0X	VARISTOR(ZNR)		1	E1
	D12	NAF0043-8R0X	VARISTOR(ZNR)		1	E1
	D13	NAF0043-8R0X	VARISTOR(ZNR)		1	E1
	D14	NAF0008-800X	VARISTOR(ZNR)		1	E1
	D15	NAF0008-800X	VARISTOR(ZNR)		1	E1
	D16	NAF0008-800X	VARISTOR(ZNR)		1	E1
	D17	NAF0008-800X	VARISTOR(ZNR)		1	E1
	D18	NAF0043-8R0X	VARISTOR(ZNR)		1	E1
	D19	NAF0042-270X	VARISTOR(ZNR)		1	E1
	D20	NAF0043-8R0X	VARISTOR(ZNR)		1	E1
	D21	NAF0042-270X	VARISTOR(ZNR)		1	E1
	D22	NAF0043-8R0X	VARISTOR(ZNR)		1	E1
	D23	NAF0043-8R0X	VARISTOR(ZNR)		1	E1
	D24	NAF0043-8R0X	VARISTOR(ZNR)		1	E1
	D25	NAF0043-8R0X	VARISTOR(ZNR)		1	E1
	D26	NAF0043-8R0X	VARISTOR(ZNR)		1	E1
	D204	NAF0043-8R0X	VARISTOR(ZNR)		1	E1
	D205	SML-D12V8W/NPQX	LED		1	E1
	D206	NAF0043-8R0X	VARISTOR(ZNR)		1	E1
	D207	NAF0042-270X	VARISTOR(ZNR)		1	E1
	D208	NAF0042-270X	VARISTOR(ZNR)		1	E1
	D209	NAF0043-8R0X	VARISTOR(ZNR)		1	E1
	D210	NAF0043-8R0X	VARISTOR(ZNR)		1	E1
	D211	NAF0008-800X	VARISTOR(ZNR)		1	E1
	D212	NAF0043-8R0X	VARISTOR(ZNR)		1	E1
	D213	NAF0043-8R0X	VARISTOR(ZNR)		1	E1
	D214	NAF0043-8R0X	VARISTOR(ZNR)		1	E1
	D215	NAF0008-800X	VARISTOR(ZNR)		1	E1
	D216	NAF0008-800X	VARISTOR(ZNR)		1	E1
	D217	NAF0008-800X	VARISTOR(ZNR)		1	E1
	D218	NAF0042-270X	VARISTOR(ZNR)		1	E1
	D219	NAF0043-8R0X	VARISTOR(ZNR)		1	E1
	D220	NAF0042-270X	VARISTOR(ZNR)		1	E1
	D221	NAF0043-8R0X	VARISTOR(ZNR)		1	E1
	D222	NAF0042-270X	VARISTOR(ZNR)		1	E1
	D223	NAF0043-8R0X	VARISTOR(ZNR)		1	E1
	D224	NAF0043-8R0X	VARISTOR(ZNR)		1	E1
	D225	NAF0043-8R0X	VARISTOR(ZNR)		1	E1
	D226	NAF0043-8R0X	VARISTOR(ZNR)		1	E1
	D227	NAF0043-8R0X	VARISTOR(ZNR)		1	E1
	R2	RK73HB1J102J	MG RESISTOR	1kΩ 1/16W J	1	E1
	R3	RK73HB1J104J	MG RESISTOR	100kΩ 1/16W J	1	E1
	R201	RK73GB2A100J	MG RESISTOR	10Ω 1/10W J	1	E1
	CN1	QGF0572F1-60X	CONNECTOR	FFC/FPC (1-60)	1	E1
	CN200	QGF0572F1-60X	CONNECTOR	FFC/FPC (1-60)	1	E1
	J1	QGZ2203M1-20X	CONNECTOR	(1-20)	1	E1
	J2	QGZ2203M1-20X	CONNECTOR	(1-20)	1	E1
	J200	QGZ2203L2-20X	CONNECTOR	(1-20)	1	E1
	J201	QGZ2203L2-20X	CONNECTOR	(1-20)	1	E1

DVD MECHA PWB ASSY (LVA11172-07A) IN DVD MECHA <DV>

IC1	AN41250A-X	IC			1	
IC2	M12L128168A6TG	SV-DRAM IC			1	
IC3	JVM697C	PROGRAMED IC			1	
IC4	MN2DS0041MD	IC			1	
IC5	BD12KA5FP-X	IC			1	
Q1	2SK3019-X	MOS FET			1	
Q2	2SK3019-X	MOS FET			1	
Q3	LSCR523EBFS8	TRANSISTOR			1	
Q4	2SB1709-X	TRANSISTOR			1	
Q5	LSCR523EBFS8	TRANSISTOR			1	
Q6	2SB1709-X	TRANSISTOR			1	
Q11	LTA014TEB-X	DIGI TRANSISTOR			1	
Q12	LTA014TEB-X	DIGI TRANSISTOR			1	
D1	TAN1102W-22-X	IR LED			1	
D4	TAN1102W-22-X	IR LED			1	
C1	CK73HBB1E103K	C CAPACITOR	0.01uF 25V K		1	
C2	NCB20JK-106X	C CAPACITOR	10uF 6.3V K		1	
C6	NCJ20JM-226X-A	C CAPACITOR	22uF 6.3V M		1	
C7	CK73HBB1E103K	C CAPACITOR	0.01uF 25V K		1	
C8	CK73HBB1E103K	C CAPACITOR	0.01uF 25V K		1	
C10	NCJ30JK-475X-A	C CAPACITOR	4.7uF 6.3V K		1	
C12	NCB20JK-106X	C CAPACITOR	10uF 6.3V K		1	
C13	NCB20JK-106X	C CAPACITOR	10uF 6.3V K		1	
C14	CK73HBB1A104K	C CAPACITOR	0.1uF 10V K		1	
C16	CK73HBB1C333K	C CAPACITOR	0.033uF 16V K		1	
C17	CK73HBB1A104K	C CAPACITOR	0.1uF 10V K		1	
C18	CC73HCH1H120J	C CAPACITOR	12pF 50V J		1	
C19	CK73HBB1A104K	C CAPACITOR	0.1uF 10V K		1	
C20	CK73HBB1A104K	C CAPACITOR	0.1uF 10V K		1	
C21	CK73HBB1A104K	C CAPACITOR	0.1uF 10V K		1	
C22	CK73HBB1A104K	C CAPACITOR	0.1uF 10V K		1	
C23	CC73HCH1H120J	C CAPACITOR	12pF 50V J		1	
C24	NCJAOJK-105W-A	C CAPACITOR	1uF 6.3V K		1	
C25	NCJAOJK-105W-A	C CAPACITOR	1uF 6.3V K		1	
C26	CC73HCH1H102J	C CAPACITOR	1000pF 50V J		1	
C28	NCB20JK-106X	C CAPACITOR	10uF 6.3V K		1	
C29	NCB20JK-106X	C CAPACITOR	10uF 6.3V K		1	
C31	NCJ30JK-475X-A	C CAPACITOR	4.7uF 6.3V K		1	
C33	NCBA1HK-682W	C CAPACITOR	6800pF 50V K		1	
C34	NCBA1HK-682W	C CAPACITOR	6800pF 50V K		1	

MODEL	MARK	MODEL	MARK	MODEL	MARK	MODEL	MARK
DNX7250DAB	E1	DNX7710BT	R1	DNX771HD	K1	DNX891HD	K0

Safe	Symbol No.	Parts No.	Parts Name	Description	QTY	Local
	C35	CC73HCH1H681J	C CAPACITOR	680pF 50V J	1	
	C36	CC73HCH1H471J	C CAPACITOR	470pF 50V J	1	
	C37	NCB20JK-106X	C CAPACITOR	10uF 6.3V K	1	
	C38	NCB20JK-106X	C CAPACITOR	10uF 6.3V K	1	
	C45	CK73HBB1A104K	C CAPACITOR	0.1uF 10V K	1	
	C47	CK73HBB1A104K	C CAPACITOR	0.1uF 10V K	1	
	C48	CK73HBB1H222K	C CAPACITOR	2200pF 50V K	1	
	C49	CK73HBB1A104K	C CAPACITOR	0.1uF 10V K	1	
	C50	CK73HBB1H222K	C CAPACITOR	2200pF 50V K	1	
	C51	CK73HBB1H472K	C CAPACITOR	4700pF 50V K	1	
	C52	CK73HBB1E103K	C CAPACITOR	0.01uF 25V K	1	
	C53	CK73HBB1H222K	C CAPACITOR	2200pF 50V K	1	
	C55	CK73HBB1A104K	C CAPACITOR	0.1uF 10V K	1	
	C56	CK73HBB1H222K	C CAPACITOR	2200pF 50V K	1	
	C57	CK73HBB1E103K	C CAPACITOR	0.01uF 25V K	1	
	C58	CK73HBB1E103K	C CAPACITOR	0.01uF 25V K	1	
	C59	CK73HBB1A104K	C CAPACITOR	0.1uF 10V K	1	
	C60	CK73HBB1A104K	C CAPACITOR	0.1uF 10V K	1	
	C61	CK73HBB1A104K	C CAPACITOR	0.1uF 10V K	1	
	C62	CK73HBB1A104K	C CAPACITOR	0.1uF 10V K	1	
	C63	CK73HBB1A104K	C CAPACITOR	0.1uF 10V K	1	
	C64	CK73HBB1A104K	C CAPACITOR	0.1uF 10V K	1	
	C65	CK73HBB1A104K	C CAPACITOR	0.1uF 10V K	1	
	C66	CK73HBB1A104K	C CAPACITOR	0.1uF 10V K	1	
	C67	CK73HBB1A104K	C CAPACITOR	0.1uF 10V K	1	
	C68	CK73HBB1E103K	C CAPACITOR	0.01uF 25V K	1	
	C70	NCJAOJK-105W-A	C CAPACITOR	1uF 6.3V K	1	
	C71	CK73HBB1A104K	C CAPACITOR	0.1uF 10V K	1	
	C74	CK73HBB1A104K	C CAPACITOR	0.1uF 10V K	1	
	C75	CC73HCH1H101J	C CAPACITOR	100pF 50V J	1	
	C76	NCJ20JM-226X-A	C CAPACITOR	22uF 6.3V M	1	
	C77	CK73HBB1A104K	C CAPACITOR	0.1uF 10V K	1	
	C78	NCJ30JK-475X-A	C CAPACITOR	4.7uF 6.3V K	1	
	C79	CK73HBB1H222K	C CAPACITOR	2200pF 50V K	1	
	C80	CK73HBB1H222K	C CAPACITOR	2200pF 50V K	1	
	C81	NCJAOJK-105W-A	C CAPACITOR	1uF 6.3V K	1	
	C82	NCJAOJK-105W-A	C CAPACITOR	1uF 6.3V K	1	
	C84	NCB20JK-106X	C CAPACITOR	10uF 6.3V K	1	
	C85	CK73HBB1A104K	C CAPACITOR	0.1uF 10V K	1	
	C86	CK73HBB1A104K	C CAPACITOR	0.1uF 10V K	1	
	C87	CK73HBB1A104K	C CAPACITOR	0.1uF 10V K	1	
	C88	CK73HBB1A104K	C CAPACITOR	0.1uF 10V K	1	
	C89	CK73HBB1A104K	C CAPACITOR	0.1uF 10V K	1	
	C90	CK73HBB1A104K	C CAPACITOR	0.1uF 10V K	1	
	C91	CK73HBB1A104K	C CAPACITOR	0.1uF 10V K	1	
	C92	CK73HBB1A104K	C CAPACITOR	0.1uF 10V K	1	
	C93	CK73HBB1A104K	C CAPACITOR	0.1uF 10V K	1	
	C94	NCJ20JM-226X-A	C CAPACITOR	22uF 6.3V M	1	
	C95	NCJ20JM-226X-A	C CAPACITOR	22uF 6.3V M	1	
	C96	NCJ20JM-226X-A	C CAPACITOR	22uF 6.3V M	1	
	C101	NCJ20JM-226X-A	C CAPACITOR	22uF 6.3V M	1	
	C102	NCJ20JM-226X-A	C CAPACITOR	22uF 6.3V M	1	
	C103	CK73HBB1H222K	C CAPACITOR	2200pF 50V K	1	
	C104	CK73HBB1H222K	C CAPACITOR	2200pF 50V K	1	
	C105	CC73HCH1H150J	C CAPACITOR	15pF 50V J	1	
	R1	RK73GB2A561J	MG RESISTOR	560Ω 1/10W J	1	
	R2	RK73HB1J271J	MG RESISTOR	270Ω 1/16W J	1	
	R3	RK73HB1J301J	MG RESISTOR	300Ω 1/16W J	1	
	R4	RK73GB2A561J	MG RESISTOR	560Ω 1/10W J	1	
	R5	RK73HB1J163J	MG RESISTOR	16kΩ 1/16W J	1	
	R6	RK73HB1J103J	MG RESISTOR	10kΩ 1/16W J	1	
	R7	RK73HB1J103J	MG RESISTOR	10kΩ 1/16W J	1	
	R8	RK73HB1J103J	MG RESISTOR	10kΩ 1/16W J	1	
	R9	RK73HB1J333J	MG RESISTOR	33kΩ 1/16W J	1	
	R10	RK73HB1J103J	MG RESISTOR	10kΩ 1/16W J	1	
	R11	RK73HB1J103J	MG RESISTOR	10kΩ 1/16W J	1	
	R12	RK73HB1J103J	MG RESISTOR	10kΩ 1/16W J	1	
	R13	RK73HB1J101J	MG RESISTOR	100Ω 1/16W J	1	
	R14	RK73HB1J101J	MG RESISTOR	100Ω 1/16W J	1	
	R15	RK73HB1J102J	MG RESISTOR	1kΩ 1/16W J	1	
	R16	RK73HB1J122J	MG RESISTOR	1.2kΩ 1/16W J	1	
	R17	RK73HB1J105J	MG RESISTOR	1MΩ 1/16W J	1	
	R18	RK73HH1J303D	MG RESISTOR	30kΩ 1/16W D	1	
	R19	RK73HB1J223J	MG RESISTOR	22kΩ 1/16W J	1	
	R20	RK73HB1J471J	MG RESISTOR	470Ω 1/16W J	1	
	R21	RK73HB1J100J	MG RESISTOR	10Ω 1/16W J	1	
	R22	RK73HB1J560J	MG RESISTOR	56Ω 1/16W J	1	
	R23	RK73HB1J2R2J	MG RESISTOR	2.2Ω 1/16W J	1	
	R25	RK73HB1J471J	MG RESISTOR	470Ω 1/16W J	1	
	R27	RK73HB1J471J	MG RESISTOR	470Ω 1/16W J	1	
	R28	RK73HB1J100J	MG RESISTOR	10Ω 1/16W J	1	
	R29	RK73HB1J560J	MG RESISTOR	56Ω 1/16W J	1	
	R30	RK73HB1J2R2J	MG RESISTOR	2.2Ω 1/16W J	1	
	R31	RK73PB2H270J	MG RESISTOR	27Ω 1/2W J	1	
	R32	RK73HB1J203J	MG RESISTOR	20kΩ 1/16W J	1	
	R33	RK73HB1J333J	MG RESISTOR	33kΩ 1/16W J	1	
	R34	RK73HB1J471J	MG RESISTOR	470Ω 1/16W J	1	
	R35	RK73PB2H270J	MG RESISTOR	27Ω 1/2W J	1	
	R51	RK73HB1J223J	MG RESISTOR	22kΩ 1/16W J	1	
	R52	RK73HB1J223J	MG RESISTOR	22kΩ 1/16W J	1	
	R53	NR20098-R27X	MG RESISTOR	0.27Ω	1	
	R54	RK73HB1J103J	MG RESISTOR	10kΩ 1/16W J	1	

MODEL	MARK	MODEL	MARK	MODEL	MARK	MODEL	MARK
DNX7250DAB	E1	DNX7710BT	R1	DNX771HD	K1	DNX891HD	K0

Safe	Symbol No.	Parts No.	Parts Name	Description	QTY	Local
	R55	RK73HB1J101J	MG RESISTOR	100Ω 1/16W J	1	
	R56	RK73HB1J103J	MG RESISTOR	10kΩ 1/16W J	1	
	R57	RK73HB1J103J	MG RESISTOR	10kΩ 1/16W J	1	
	R58	RK73HB1J103J	MG RESISTOR	10kΩ 1/16W J	1	
	R59	RK73HB1J103J	MG RESISTOR	10kΩ 1/16W J	1	
	R60	RK73HB1J821J	MG RESISTOR	820Ω 1/16W J	1	
	R61	RK73HB1J242J	MG RESISTOR	2.4kΩ 1/16W J	1	
	R62	RK73HB1J103J	MG RESISTOR	10kΩ 1/16W J	1	
	R63	RK73HB1J332J	MG RESISTOR	3.3kΩ 1/16W J	1	
	R64	RK73HB1J202J	MG RESISTOR	2kΩ 1/16W J	1	
	R65	RK73HB1J102J	MG RESISTOR	1kΩ 1/16W J	1	
	R66	RK73HB1J102J	MG RESISTOR	1kΩ 1/16W J	1	
	R69	RK73HB1J101J	MG RESISTOR	100Ω 1/16W J	1	
	R70	RK73HB1J102J	MG RESISTOR	1kΩ 1/16W J	1	
	R71	RK73HB1J330J	MG RESISTOR	33Ω 1/16W J	1	
	R73	RK73HB1J472J	MG RESISTOR	4.7kΩ 1/16W J	1	
	R74	RK73HB1J4R7J	MG RESISTOR	4.7Ω 1/16W J	1	
	R76	RK73HB1J472J	MG RESISTOR	4.7kΩ 1/16W J	1	
	R77	RK73HB1J4R7J	MG RESISTOR	4.7Ω 1/16W J	1	
	R78	RK73HB1J221J	MG RESISTOR	220Ω 1/16W J	1	
	R79	RK73HB1J221J	MG RESISTOR	220Ω 1/16W J	1	
	R80	RK73HB1J103J	MG RESISTOR	10kΩ 1/16W J	1	
	R85	RK73HB1J820J	MG RESISTOR	82Ω 1/16W J	1	
	R86	RK73HB1J102J	MG RESISTOR	1kΩ 1/16W J	1	
	R87	RK73HB1J102J	MG RESISTOR	1kΩ 1/16W J	1	
	R88	RK73HB1J102J	MG RESISTOR	1kΩ 1/16W J	1	
	R90	RK73HB1J470J	MG RESISTOR	47Ω 1/16W J	1	
	R91	RK73HB1J470J	MG RESISTOR	47Ω 1/16W J	1	
	R92	RK73HB1J103J	MG RESISTOR	10kΩ 1/16W J	1	
	R95	RK73HB1J470J	MG RESISTOR	47Ω 1/16W J	1	
	R96	RK73HB1J103J	MG RESISTOR	10kΩ 1/16W J	1	
	R105	RK73HB1J101J	MG RESISTOR	100Ω 1/16W J	1	
	R106	RK73HB1J103J	MG RESISTOR	10kΩ 1/16W J	1	
	R107	RK73HB1J221J	MG RESISTOR	220Ω 1/16W J	1	
	R108	RK73HB1J221J	MG RESISTOR	220Ω 1/16W J	1	
	R113	RK73HB1J470J	MG RESISTOR	47Ω 1/16W J	1	
	CN1	QGF0534F7-26X	CONNECTOR	FFC/FPC (1-26)	1	
	CN4	QGF0534F7-40X	CONNECTOR	FFC/FPC (1-40)	1	
	CN5	QGF0534F7-18X	CONNECTOR	FFC/FPC (1-18)	1	
	PH1	PS1192HB-22-X	PHOTO TRANSISTOR		1	
	PH2	PS1192HB-22-X	PHOTO TRANSISTOR		1	
	S1	NSW0351-001X	LEVER SWITCH		1	
	TH1	NAD0055-103X	N THERMISTOR	10kΩ	1	
	X1	NAX1177-001X	CRYSTAL		1	