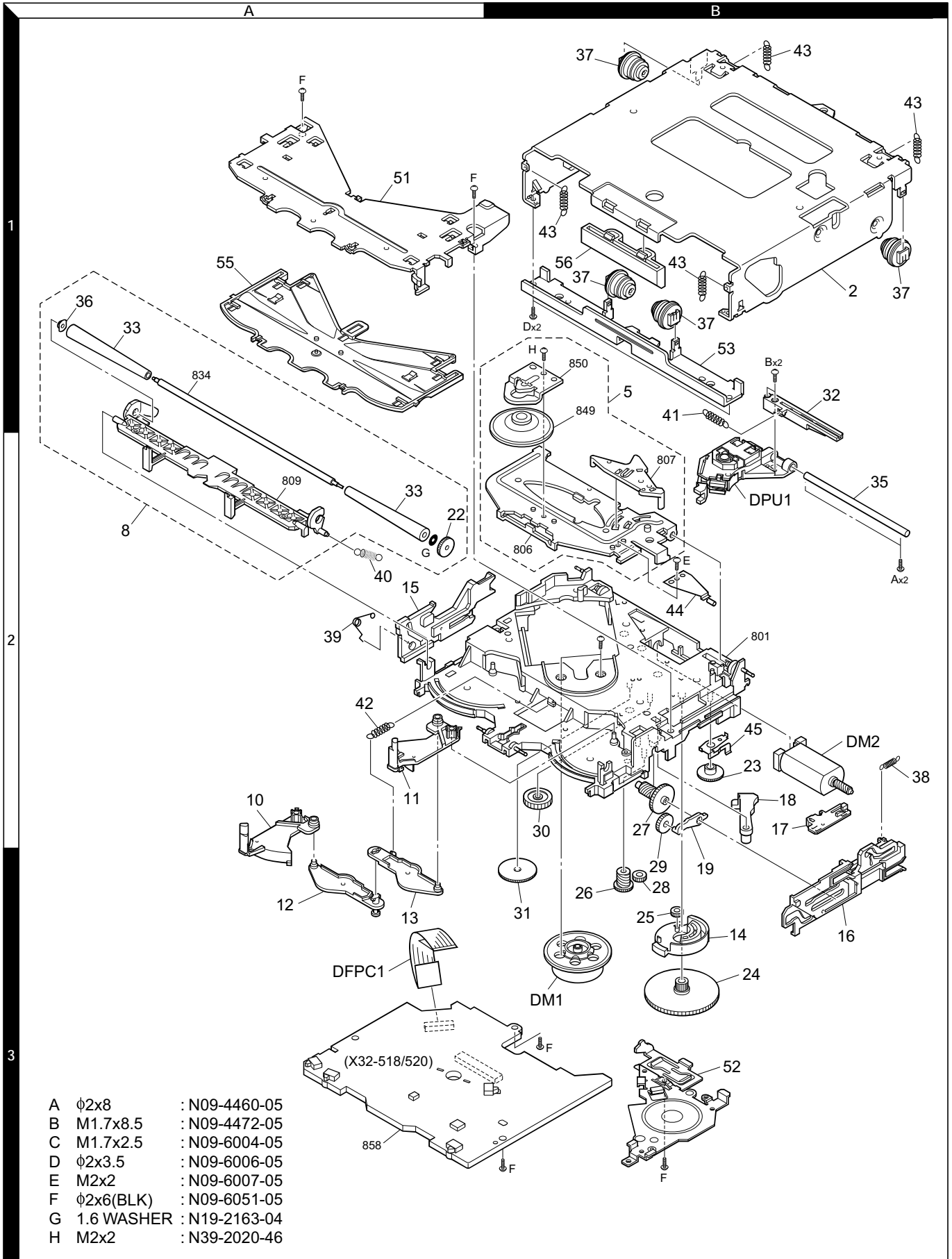


EXPLODED VIEW



Parts with the exploded numbers larger than 700 are not supplied.

KDC-319/4019,5020

PARTS LIST

*New Parts

Parts without **Part No.** are not supplied.

Les articles non mentionnés dans le **Parts No.** ne sont pas fournis.

Teile ohne **Parts No.** werden nicht geliefert.

Ref. No.	A d d	N e w	Parts No.	Description	Desti- nation
KDC-319/4019,5020					
200	1A		A02-1486-13	PLASTIC CABINET ASSY	
202	1B		A52-0806-02	TOP PLATE	
203	3A	*	A21-4172-04	DRESSING PANEL	
204	3A	*	A21-4173-03	DRESSING PANEL	
205	3B	*	A22-2932-02	SUB PANEL ASSY	
207	2A	*	A46-1754-01	REAR COVER	
PA1	3A	*	A64-2594-02	PANEL ASSY	K5
PA1	3A	*	A64-2595-02	PANEL ASSY	K6
PA1	3A	*	A64-2598-02	PANEL ASSY	M2
RC1	1A		A70-2025-05	REMOTE CONTROLLER ASSY (RC-410)	
213	1A		B07-3055-02	ESCUTCHEON	K6M2
213	1A		B07-3060-02	ESCUTCHEON	K5
214	3A	*	B10-4172-01	FRONT GLASS	K5
214	3A	*	B10-4173-01	FRONT GLASS	K6
214	3A	*	B10-4176-01	FRONT GLASS	M2
216	3A	*	B19-2138-03	LIGHTING BOARD	
217	3A		B43-1284-04	BADGE	
-			B46-0100-50	WARRANTY CARD	
-			B46-0606-04	ID CARD	K5K6
-			B46-0612-14	ID CARD	M2
-			B46-0645-03	USER CARD	K5K6
-		*	B64-2243-00	INST. MANUAL (ENG,FRE,SPA)	K5K6
-		*	B64-2244-00	INST. MANUAL (ENG,T-CHI)	M2
-		*	B64-2245-00	INST. MANUAL (ARABIC)	M2
222	1A		D10-4589-04	LEVER	
223	3B	*	D10-4666-04	LEVER	
224	3B	*	D10-4667-04	LEVER	
225	3B	*	D10-4668-04	LEVER	
226	3B	*	D10-4669-03	LEVER	
227	3B	*	D10-4673-04	LEVER ASSY	
228	3B	*	D13-2232-04	GEAR	
229	3B	*	D21-2404-04	SHAFT	
230	3B	*	D21-2405-04	SHAFT	
231	3B	*	D39-0255-05	DAMPER	
235	3A	*	E29-1881-02	CONDUCTIVE RUBBER	
236	1B	*	E30-6050-05	CORD WITH PINPLUG	K5M2
236	1B	*	E30-6052-05	CORD WITH PINPLUG	K6
DC1	1A		E30-4784-05	DC CORD	
FC1	1A	*	E39-0438-05	FLAT CABLE	
242	1B		F29-0049-05	INSULATING COVER	
F1	2B		F52-0006-05	FUSE (MINI BLADE TYPE) (10A)	
F1	2B		F52-0011-05	FUSE (MINI BLADE TYPE) (10A)	
247	3B	*	G01-3128-04	EXTENSION SPRING	
248	3A	*	G01-3129-04	COMPRESSION SPRING	
249	3B	*	G02-1425-04	FLAT SPRING	
250	3B	*	G02-1426-04	FLAT SPRING	
-		*	H10-4806-12	POLYSTYRENE FOAMED FIXTURE	
-			H25-0329-04	PROTECTION BAG (280X450X0.03)	
-			H25-0337-04	PROTECTION BAG (180X300X0.03)	
-		*	H54-2357-03	ITEM CARTON CASE (KDC-319)	K5
-		*	H54-2358-03	ITEM CARTON CASE (KDC-4019)	K6
-		*	H54-2361-03	ITEM CARTON CASE (KDC-5020)	M2

Ref. No.	A d d	N e w	Parts No.	Description	Desti- nation
255	3A	*	J19-5138-02	HOLDER	
256	1A		J21-9716-03	MOUNTING HARDWARE ASSY	
257	3B	*	J21-9809-04	MOUNTING HARDWARE ASSY	
264	3A	*	K24-3831-04	KNOB (RELEASE)	
265	3B	*	K24-3832-04	KNOB (EJECT)	
266	3A	*	K25-1409-03	KNOB (PRESET)	
267	3A	*	K25-1410-03	KNOB (SRC)	
268	3A	*	K25-1411-03	KNOB (ATT)	
269	3A	*	K25-1412-03	KNOB (FM/AM)	
270	3A	*	K25-1413-03	KNOB (DISP)	
271	3A	*	K25-1414-03	KNOB (VOL)	
276	1A		N99-1656-05	SCREW SET	
277	1A		N99-1719-05	SCREW SET	
A	3B		N19-2106-04	FLAT WASHER	
B	3B		N24-3020-46	E TYPE RETAINING RING	
C	3A		N80-2005-46	PAN HEAD TAPTITE SCREW	
D	2A		N80-2008-45	PAN HEAD TAPTITE SCREW	
E	1B		N83-3005-46	PAN HEAD TAPTITE SCREW	
F	3B		N84-2005-46	PAN HEAD TAPTITE SCREW	
G	3B		N84-2606-45	PAN HEAD TAPTITE SCREW	
H	3B		N84-2606-46	PAN HEAD TAPTITE SCREW	
DME1	1B	*	X92-4430-00	MECHANISM ASSY	
SWITCH UNIT (X16-1630-12)					
285	2A	*	B11-1367-04	OPTICAL DIFFUSER	
286	2A	*	B11-1366-04	REFLECTION SHEET	
287	2A	*	B19-2135-03	LIGHTING BOARD	
D1 -13			B30-1533-05	LED (PG)	
D18 ,19			B30-1564-05	LED (BLUE)	
D20 ,21			B30-1571-05	LED (WHITE)	
ED1	2A	*	B38-1091-05	LIQUID CRYSTAL	
C1			CK73GB1H102K	CHIP C 1000PF	K
C2 ,3			CK73GB1E473K	CHIP C 0.047UF	K
C4			CK73GB1H103K	CHIP C 0.010UF	K
C5			CK73FB1A225K	CHIP C 2.2UF	K
C11 -14			CK73GB1H103K	CHIP C 0.010UF	K
288	2A	*	E29-1882-04	CONDUCTIVE RUBBER	
J1			E59-0829-05	RECTANGULAR PLUG	
CP3			R90-1016-05	MULTI-COMP 470	X4
R1 ,2			RK73GB2A102J	CHIP R 1.0K	J 1/10W
R8			RK73GB2A563J	CHIP R 56K	J 1/10W
R9			RK73GB2A392J	CHIP R 3.9K	J 1/10W
R12			RK73GB2A473J	CHIP R 47K	J 1/10W
R13 -15			RK73FB2B331J	CHIP R 330	J 1/8W
R16			RK73FB2B511J	CHIP R 510	J 1/8W
R17 ,18			RK73FB2B361J	CHIP R 360	J 1/8W
R20			RK73FB2B271J	CHIP R 270	J 1/8W
R27			RK73GB2A4R7J	CHIP R 4.7	J 1/10W
R28			RK73GB2A101J	CHIP R 100	J 1/10W
IC1			LC75883E	MOS-IC	
IC2			RS-171	ANALOGUE IC	
Q1 ,2			DTA114EUA	DIGITAL TRANSISTOR	
Q1 ,2			KRA302	DIGITAL TRANSISTOR	

E : Europe K : North America M : Other Areas

K5 : KDC-319

K6 : KDC-4019

M2 : KDC-5020

⚠ indicates safety critical components.

KDC-319/4019,5020

PARTS LIST

*New Parts

Parts without Part No. are not supplied.

Les articles non mentionnés dans le Parts No. ne sont pas fournis.

Teile ohne Parts No. werden nicht geliefert.

(X25-921x-xx)

Ref. No.	A d d	N e w	Parts No.	Description	Desti- nation	Ref. No.	A d d	N e w	Parts No.	Description	Desti- nation
ELECTRIC UNIT (X25-921x-xx)											
D912			B30-1567-05	LED (RED)		C702			CK73GB1H103K	CHIP C 0.010UF	K
C1			CE04NW1C100M	ELECTRO 10UF 16WV		C703			CE04NW1C100M	ELECTRO 10UF	16WV
C2			CK73GB1H103K	CHIP C 0.010UF		C704			CE04NW0J101M	ELECTRO 100UF	6.3WV
C3			CE04NW1C100M	ELECTRO 10UF 16WV		C705			CK73GB1H103K	CHIP C 0.010UF	K
C4			CK73GB1H103K	CHIP C 0.010UF		C706			CE04NW1C101M	ELECTRO 100UF	16WV
C5			CE04NW1A101M	ELECTRO 100UF 10WV		C707			CE04CW1A221M	ELECTRO 220UF	10WV
C6			CK73GB1H103K	CHIP C 0.010UF		C708			CE04NW1A101M	ELECTRO 100UF	10WV
C8			CE04NW1A101M	ELECTRO 100UF 10WV		CN1			E40-3241-05	PIN ASSY	K5M2
C9			CK73GB1H103K	CHIP C 0.010UF		CN1			E40-5066-05	PIN ASSY	K6
C17			CK73GB1C104K	CHIP C 0.10UF		CN2	*		E41-0168-05	FLAT CABLE CONNECTOR	
C18			CK73GB1H103K	CHIP C 0.010UF		CN3	*		E41-0167-05	PIN ASSY	
C101,102			CK73GB1H103K	CHIP C 0.010UF		J1			E58-0863-15	RECTANGULAR RECEPTACLE	
C201-204			CE04NW1HR47M	ELECTRO 0.47UF 50WV		J4			E56-0834-05	CYLINDRICAL RECEPTACLE	
C205			CE04NW1A470M	ELECTRO 47UF 10WV		P1			E23-0745-05	TERMINAL	
C207-216			CE04NW1C100M	ELECTRO 10UF 16WV	K6	W1 -31			E31-0001-00	JUMPER WIRE	
C211-214			CE04NW1C100M	ELECTRO 10UF 16WV	K5M2	WH1			E30-4804-05	CORD WITH PLUG	
C217-220			C90-5296-05	NP-ELECT 0.22UF 50WV		WH1			E30-4932-05	CORD WITH PLUG	
C401			CE04NW1A470M	ELECTRO 47UF 10WV		L1			L33-1123-05	LINE FILTER COIL	
C402			CK73GB1H103K	CHIP C 0.010UF		L5 ,6			L40-4795-91	SMALL FIXED INDUCTOR(4.7UH,J)	
C403			CE04NW1H2R2M	ELECTRO 2.2UF 50WV		L401			L40-4795-91	SMALL FIXED INDUCTOR(4.7UH,J)	
C404			CK73GB1E333K	CHIP C 0.033UF		L501			L33-1170-05	CHOKE COIL ASSY	
C405			CK73GB1A474K	CHIP C 0.47UF		L601			L40-4795-34	SMALL FIXED INDUCTOR	
C406			CK73GB1C104K	CHIP C 0.10UF		L601			L40-4795-68	SMALL FIXED INDUCTOR(4.7UH)	
C407			CC73GCH1H151J	CHIP C 150PF		X1			L78-0863-05	RESONATOR (12MHZ)	
C408			CK73GB1H103K	CHIP C 0.010UF		X2			L77-2738-05	CRYSTAL RESONATOR	
C409			CK73GB1C104K	CHIP C 0.10UF		E	2B		N83-3005-46	PAN HEAD TAPTITE SCREW	
C410			CE04NW1C100M	ELECTRO 10UF 16WV	K6	J	2B		N80-3008-46	PAN HEAD TAPTITE SCREW	
C411			CK73GB1H103K	CHIP C 0.010UF	K6	K	2B		N83-3012-46	PAN HEAD TAPTITE SCREW	
C412			CE04NW1HR47M	ELECTRO 0.47UF 50WV		L	2B		N86-2606-46	BINDING HEAD TAPTITE SCREW	
C413			CE04NW1C220M	ELECTRO 22UF 16WV		CP60			R90-0725-05	MULTI-COMP 1K X2	
C414			CK73GB1C104K	CHIP C 0.10UF		R1			RK73EB2E102J	CHIP R 1.0K J 1/4W	
C415			CE04NW1H010M	ELECTRO 1.0UF 50WV		R2			RK73GB2A223J	CHIP R 22K J 1/10W	
C416-418			CK73FB1E104K	CHIP C 0.10UF	K6	R3			RK73EB2E102J	CHIP R 1.0K J 1/4W	
C416,417			CK73FB1E104K	CHIP C 0.10UF	K5M2	R4			RK73GB2A223J	CHIP R 22K J 1/10W	
C501			CK73GB1H103K	CHIP C 0.010UF		R101			RK73GB2A471J	CHIP R 470 J 1/10W	
C502			C90-5235-05	ELECTRO 2200UF 16WV		R102,103			RK73GB2A104J	CHIP R 100K J 1/10W	
C503			CK73GB1H102K	CHIP C 1000PF		R104			RK73GB2A471J	CHIP R 470 J 1/10W	
C504,505			CK73GB1H103K	CHIP C 0.010UF		R105			RK73GB2A104J	CHIP R 100K J 1/10W	
C506			CE04NW1V3R3M	ELECTRO 3.3UF 35WV		R106			RK73GB2A222J	CHIP R 2.2K J 1/10W	
C507			CK73GB1C683K	CHIP C 0.068UF		R107			RK73EB2E101J	CHIP R 100 J 1/4W	
C507			CK73GB1H683K	CHIP C 0.068UF		R108-112			RK73EB2E472J	CHIP R 4.7K J 1/4W	
C508			CE04NW1H0R1M	ELECTRO 0.1UF 50WV		R113,114			RK73EB2E101J	CHIP R 100 J 1/4W	
C601			CE04NW0J470M	ELECTRO 47UF 6.3WV		R201-204			RK73FB2B223J	CHIP R 22K J 1/8W	K6
C602			CK73GB0J105K	CHIP C 1.0UF		R205-216			RK73GB2A223J	CHIP R 22K J 1/10W	K6
C603			CK73GB1H103K	CHIP C 0.010UF		R217-220			RK73FB2B361J	CHIP R 360 J 1/8W	
C604			CC73GCH1H220J	CHIP C 22PF		R221,222			RK73GB2A361J	CHIP R 360 J 1/10W	K6
C605			CC73GCH1H330J	CHIP C 33PF		R223-226			RK73FB2B223J	CHIP R 22K J 1/8W	
C606			CK73GB1H102K	CHIP C 1000PF		R227,228			RK73GB2A223J	CHIP R 22K J 1/10W	K6
C607			CK73FB1C224K	CHIP C 0.22UF		R229-232			RK73EB2E181J	CHIP R 180 J 1/4W	K5M2
C608,609			CK73GB1H103K	CHIP C 0.010UF		R229-234			RK73EB2E181J	CHIP R 180 J 1/4W	K6
C611			CK73GB1H103K	CHIP C 0.010UF		R235,236			RK73GB2A473J	CHIP R 47K J 1/10W	K6
C701			C90-2866-05	ELECTRO 220UF 16WV		R237-240			RK73GB2A223J	CHIP R 22K J 1/10W	
						R241,242			RK73EB2E100J	CHIP R 10 J 1/4W	
						R243			RK73EB2E4R7J	CHIP R 4.7 J 1/4W	

K5 : KDC-319

K6 : KDC-4019

M2 : KDC-5020

⚠ indicates safety critical components.

KDC-319/4019,5020

PARTS LIST

*New Parts

Parts without Part No. are not supplied.

Les articles non mentionnés dans le Parts No. ne sont pas fournis.

Teile ohne Parts No. werden nicht geliefert.

(X25-921x-xx)

Ref. No.	A d d	N e w	Parts No.	Description	Desti- nation	Ref. No.	A d d	N e w	Parts No.	Description	Desti- nation
R401			RK73GB2A103J	CHIP R 10K J 1/10W	K6	R705			RK73GB2A103J	CHIP R 10K J 1/10W	K6
R402			RK73GB2A472J	CHIP R 4.7K J 1/10W		R706			RK73GB2A102J	CHIP R 1.0K J 1/10W	
R404,405			RK73GB2A472J	CHIP R 4.7K J 1/10W		R707,708			RD14DB2H2R2J	SMALL-RD 2.2 J 1/2W	
R406			RK73GB2A102J	CHIP R 1.0K J 1/10W		R709			RK73GB2A102J	CHIP R 1.0K J 1/10W	
R407			RK73GB2A101J	CHIP R 100 J 1/10W		R901			RK73GB2A473J	CHIP R 47K J 1/10W	
R408,409			RK73GB2A103J	CHIP R 10K J 1/10W		R902,903			RK73EB2E102J	CHIP R 1.0K J 1/4W	
R410			RK73GB2A473J	CHIP R 47K J 1/10W		R904			RK73EB2E472J	CHIP R 4.7K J 1/4W	
R411			RK73GB2A152J	CHIP R 1.5K J 1/10W		R905,906			RK73EB2E102J	CHIP R 1.0K J 1/4W	
R412			RK73GB2A332J	CHIP R 3.3K J 1/10W		R907			RK73EB2E471J	CHIP R 470 J 1/4W	
R501			RK73FB2B243J	CHIP R 24K J 1/8W		R908			RK73EB2E102J	CHIP R 1.0K J 1/4W	
R502,503			RK73GB2A103J	CHIP R 10K J 1/10W	R910			RK73EB2E101J	CHIP R 100 J 1/4W		
R504			RK73GB2A223J	CHIP R 22K J 1/10W	R911,912			RK73EB2E471J	CHIP R 470 J 1/4W		
R505			RD14DB2H332J	SMALL-RD 3.3K J 1/2W	R913			RK73FB2B241J	CHIP R 240 J 1/8W		
R507			RK73GB2A223J	CHIP R 22K J 1/10W	R914			RK73EB2E241J	CHIP R 240 J 1/4W		
R508			RK73GB2A104J	CHIP R 100K J 1/10W	S1			S74-0811-05	MICRO SWITCH		
R510,511			RD14DB2H102J	SMALL-RD 1.0K J 1/2W	D1			IMSA-6801	SURGE ABSORBER		
R512			RK73FB2B223J	CHIP R 22K J 1/8W	D100-103			HZS6C1	ZENER DIODE		
R514			RD14DB2H102J	SMALL-RD 1.0K J 1/2W	D100-103			MA4062-L	ZENER DIODE		
R516			RD14DB2H102J	SMALL-RD 1.0K J 1/2W	D201-205			MA4068(N)-M	ZENER DIODE		
R601			RK73GB2A104J	CHIP R 100K J 1/10W	D207-214			AM01Z	DIODE		
R602			RK73GB2A473J	CHIP R 47K J 1/10W	D401			MTZJ4.3(B)	ZENER DIODE		
R603			RK73GB2A102J	CHIP R 1.0K J 1/10W	D402-405			1SS133	DIODE		
R604,605			RK73GB2A104J	CHIP R 100K J 1/10W	D402,403			1SS133	DIODE		
R607			RK73GB2A104J	CHIP R 100K J 1/10W	D406			DAP202U	DIODE		
R608			RK73GB2A471J	CHIP R 470 J 1/10W	D408			1SS133	DIODE		
R609,610			RK73GB2A222J	CHIP R 2.2K J 1/10W	D501			1N5393G-M5	DIODE		
R613,614			RK73GB2A222J	CHIP R 2.2K J 1/10W	D502,503			MA4068(N)-M	ZENER DIODE		
R615			RK73GB2A104J	CHIP R 100K J 1/10W	D504,505			AM01Z	DIODE		
R616			RK73GB2A102J	CHIP R 1.0K J 1/10W	D507			AM01Z	DIODE		
R617			RK73GB2A104J	CHIP R 100K J 1/10W	D508			1SS133	DIODE		
R618			RK73GB2A104J	CHIP R 100K J 1/10W	D601			1SS133	DIODE		
R620			RK73GB2A104J	CHIP R 100K J 1/10W	D701			AM01Z	DIODE		
R620,621			RK73GB2A104J	CHIP R 100K J 1/10W	D702			MA4056(N)-M	ZENER DIODE		
R622			RK73GB2A104J	CHIP R 100K J 1/10W	D703			MA4091(N)-L	ZENER DIODE		
R624,625			RK73GB2A104J	CHIP R 100K J 1/10W	D704			MA4082(N)-L	ZENER DIODE		
R626			RK73GB2A474J	CHIP R 470K J 1/10W	D901			HZS11B2	ZENER DIODE		
R627,628			RK73GB2A471J	CHIP R 470 J 1/10W	D901			MA4110-L	ZENER DIODE		
R629			RK73GB2A102J	CHIP R 1.0K J 1/10W	D902-906			DAN202U	DIODE		
R630-633			RK73GB2A471J	CHIP R 470 J 1/10W	D907-911			DAP202U	DIODE		
R634,635			RK73GB2A472J	CHIP R 4.7K J 1/10W	D913			MA3062	ZENER DIODE		
R636			RK73GB2A101J	CHIP R 100 J 1/10W	IC1		*	UPD784225GC157	MI-COM IC		
R637-640			RK73GB2A102J	CHIP R 1.0K J 1/10W	IC2			TDA7407D	ANALOGUE IC		
R641			RK73GB2A222J	CHIP R 2.2K J 1/10W	IC3			HD74HC02FP	MOS-IC		
R643			RK73GB2A104J	CHIP R 100K J 1/10W	IC3			TC74HC02AF	MOS-IC		
R644			RK73GB2A103J	CHIP R 10K J 1/10W	IC4			TA8273H	ANALOGUE IC		
R645,646			RK73GB2A104J	CHIP R 100K J 1/10W	IC5			NJM2123V-TE2	ANALOGUE IC		
R647			RK73GB2A103J	CHIP R 10K J 1/10W	IC8			S-80830ANNP	MOS-IC		
R648			RK73GB2A473J	CHIP R 47K J 1/10W	Q1			DTC124EUA	DIGITAL TRANSISTOR		
R649,650			RK73GB2A102J	CHIP R 1.0K J 1/10W	Q1			UN5212	DIGITAL TRANSISTOR		
R652			RK73GB2A104J	CHIP R 100K J 1/10W	Q2			2SB1277(Q,R)	TRANSISTOR		
R654			RK73GB2A222J	CHIP R 2.2K J 1/10W	Q2			2SB1434	TRANSISTOR		
R655			RK73GB2A225J	CHIP R 2.2M J 1/10W	Q3			DTC124EUA	DIGITAL TRANSISTOR		
R702			RK73GB2A101J	CHIP R 100 J 1/10W	Q3			UN5212	DIGITAL TRANSISTOR		
R703			RK73GB2A223J	CHIP R 22K J 1/10W	Q4			2SB1277(Q,R)	TRANSISTOR		
R704			RK73GB2A222J	CHIP R 2.2K J 1/10W							

K5 : KDC-319

K6 : KDC-4019

M2 : KDC-5020

E : Europe K : North America M : Other Areas

⚠ indicates safety critical components.

KDC-319/4019,5020

PARTS LIST

*New Parts

Parts without **Part No.** are not supplied.

Les articles non mentionnes dans le **Parts No.** ne sont pas fournis.

Teile ohne **Parts No.** werden nicht geliefert.

Ref. No.	A d d	N e w	Parts No.	Description	Desti- nation	Ref. No.	A d d	N e w	Parts No.	Description	Desti- nation
Q4			2SB1434	TRANSISTOR							
Q201-204			DTC143TUA	DIGITAL TRANSISTOR							
Q205,206			2SD2114K	TRANSISTOR	K6						
Q401			DTC124EUA	DIGITAL TRANSISTOR							
Q401			UN5212	DIGITAL TRANSISTOR							
Q402			DTC143TUA	DIGITAL TRANSISTOR							
Q403			DTA124EUA	DIGITAL TRANSISTOR	K5M2						
Q403			KRA303	DIGITAL TRANSISTOR	K5M2						
Q403,404			DTA124EUA	DIGITAL TRANSISTOR	K6						
Q403,404			KRA303	DIGITAL TRANSISTOR	K6						
Q501,502			2SC4081	TRANSISTOR							
Q501,502			2SD1819A	TRANSISTOR							
Q503			2SB1277(Q,R)	TRANSISTOR							
Q503			2SB1434	TRANSISTOR							
Q504			DTC114YUA	DIGITAL TRANSISTOR							
Q504			UN5214	DIGITAL TRANSISTOR							
Q505			2SB1277(Q,R)	TRANSISTOR							
Q505			2SB1434	TRANSISTOR							
Q506			2SA1576A	TRANSISTOR							
Q506			2SB1218A	TRANSISTOR							
Q507			DTA124EUA	DIGITAL TRANSISTOR							
Q507			KRA303	DIGITAL TRANSISTOR							
Q508			DTC114YUA	DIGITAL TRANSISTOR							
Q508			UN5214	DIGITAL TRANSISTOR							
Q701			2SA2057	TRANSISTOR							
Q702			2SC4081	TRANSISTOR							
Q702			2SD1819A	TRANSISTOR							
Q703			2SA1576A	TRANSISTOR							
Q703			2SB1218A	TRANSISTOR							
Q704			DTC124EUA	DIGITAL TRANSISTOR							
Q704			UN5212	DIGITAL TRANSISTOR							
Q705			DTA124EUA	DIGITAL TRANSISTOR							
Q705			KRA303	DIGITAL TRANSISTOR							
Q706			2SA2057	TRANSISTOR							
Q707			2SC4081	TRANSISTOR							
Q707			2SD1819A	TRANSISTOR							
Q708			2SD2375	TRANSISTOR							
Q901			DTC124EUA	DIGITAL TRANSISTOR							
Q901			UN5212	DIGITAL TRANSISTOR							
Q902			DTA124EUA	DIGITAL TRANSISTOR							
Q902			KRA303	DIGITAL TRANSISTOR							
Q903			2SD1760	TRANSISTOR							
Q905-907			DTA114YUA	DIGITAL TRANSISTOR							
Q905-907			KRA307	DIGITAL TRANSISTOR							
TH1			PTH9C42BD471Q	POSITIVE RESISTOR							
A1	2B		X86-3240-11	TUNER UNIT							
DAUGHTER UNIT (X89-2510-10)											
CN1		*	E41-0169-05	SOCKET FOR PIN ASSY							
J1			E58-0865-05	RECTANGULAR RECEPTACLE							
S1			S70-0877-05	TACT SWITCH							

E : Europe K : North America M : Other Areas

K5 : KDC-319
K6 : KDC-4019
M2 : KDC-5020

⚠ indicates safety critical components.

X92-4430-0x X92-4450-0x

PARTS LIST

* New Parts

Parts without **Parts No.** are not supplied.

Les articles non mentionnes dans le **Parts No.** ne sont pas fournis.

Teile ohne **Parts No.** werden nicht geliefert.

Ref. No.	A d d	N e w	Parts No.	Description	Dest inati on
CD PLAYER UNIT (X32-5180-0X, X32-5200-0X)					
C1 ,2			CK73GB0J105K	CHIP C 1.0UF K	
C3			CK73FB1A225K	CHIP C 2.2UF K	
C4			C92-0566-05	CHIP-TAN 10UF 6.3WV	
C5			CC73GCH1H220J	CHIP C 22PF J	
C6			CC73GCH1H030C	CHIP C 3.0PF C	
C7			CK73GB1C104K	CHIP C 0.10UF K	
C8			CK73GB0J105K	CHIP C 1.0UF K	
C10			CK73GB1H472K	CHIP C 4700PF K	
C11			CK73GB1H682K	CHIP C 6800PF K	
C12			CK73GB1H332K	CHIP C 3300PF K	
C13			CK73GB1C333K	CHIP C 0.033UF K	
C14			CK73GB1H472K	CHIP C 4700PF K	
C15			CK73GB1E473K	CHIP C 0.047UF K	
C16			CC73GCH1H221J	CHIP C 220PF J	
C17			CK73GB1H472K	CHIP C 4700PF K	
C18			CC73GCH1H331J	CHIP C 330PF J	
C19 ,20			CK73GB1C104K	CHIP C 0.10UF K	
C21			CK73FB1A225K	CHIP C 2.2UF K	
C23			CK73GB1H102K	CHIP C 1000PF K	
C24			CK73GB1E223K	CHIP C 0.022UF K	
C25			CK73GB1H153K	CHIP C 0.015UF K	
C26			CK73GB0J105K	CHIP C 1.0UF K	
C28			CK73GB0J105K	CHIP C 1.0UF K	
C29			CK73GB1C104K	CHIP C 0.10UF K	
C33			CK73GB1C104K	CHIP C 0.10UF K	
C35			CK73GB1C104K	CHIP C 0.10UF K	
C39			CK73GB1H152K	CHIP C 1500PF K	
C40			CK73GB1H103K	CHIP C 0.010UF K	
C41			CK73EB1C225K	CHIP C 2.2UF K	
C42			CK73GB1H152K	CHIP C 1500PF K	
C44			CK73GB1H103K	CHIP C 0.010UF K	
C46			CK73GB1E473K	CHIP C 0.047UF K	
C51			CK73GB1C104K	CHIP C 0.10UF K	
C55			CK73GB1C104K	CHIP C 0.10UF K	
C67 ,68			CK73GB1C104K	CHIP C 0.10UF K	
C71 ,72			CK73GB1H471K	CHIP C 470PF K	
C77 ,78			CC73GCH1H680J	CHIP C 68PF J	
C79 ,80			CK73GB1H222K	CHIP C 2200PF K	
C85			CK73GB1C104K	CHIP C 0.10UF K	
C89			CK73GB1H222K	CHIP C 2200PF K	
CN1			E40-9536-05	FLAT CABLE CONNECTOR	
CN1			E41-0193-05	FLAT CABLE CONNECTOR	
CN2			E40-9527-05	FLAT CABLE CONNECTOR	
CN2		*	E41-0213-05	FLAT CABLE CONNECTOR	
X1		*	L78-0851-05	RESONATOR (16.93MHZ)	
CP1			R90-1019-05	MULTI-COMP 100 X2	
CP2			R90-1014-05	MULTI-COMP 100 X4	
R3			RK73GB2A272J	CHIP R 2.7K J 1/10W	
R5			RK73GB2A361J	CHIP R 360 J 1/10W	
R6			RK73GB2A272J	CHIP R 2.7K J 1/10W	
R9			RK73FB2B100J	CHIP R 10 J 1/8W	
R10 ,11			RK73GB2A562J	CHIP R 5.6K J 1/10W	

A : X92-4430-00 (DXM-6010W) **A1** : X92-4430-01 (DXM-6011W)
A2 : X92-4430-02 (DXM-6012W) **A3** : X92-4430-03 (DXM-6013W)

Ref. No.	A d d	N e w	Parts No.	Description	Dest inati on
R12			RK73GB2A682J	CHIP R 6.8K J 1/10W	
R13			RK73GB2A392J	CHIP R 3.9K J 1/10W	
R15			RK73GB2A824J	CHIP R 820K J 1/10W	
R16			RK73GB2A223J	CHIP R 22K J 1/10W	
R17			RK73GB2A393J	CHIP R 39K J 1/10W	
R18			RK73GB2A392J	CHIP R 3.9K J 1/10W	
R19			RK73GB2A473J	CHIP R 47K J 1/10W	
R20			RK73GB2A104J	CHIP R 100K J 1/10W	
R21			RK73GB2A244J	CHIP R 240K J 1/10W	
R22		*	RK73GB2A623J	CHIP R 62K J 1/10W	
R32			RK73GB2A683J	CHIP R 68K J 1/10W	
R34			RK73GB2A363J	CHIP R 36K J 1/10W	
R35			RK73GB2A104J	CHIP R 100K J 1/10W	
R36			RK73GB2A151J	CHIP R 150 J 1/10W	
R37			RK73GB2A471J	CHIP R 470 J 1/10W	
R38			RK73GB2A224J	CHIP R 220K J 1/10W	
R40			RK73GB2A133J	CHIP R 13K J 1/10W	
R46			RK73GB2A102J	CHIP R 1.0K J 1/10W	
R47			RK73GB2A103J	CHIP R 10K J 1/10W	
R49			RK73GB2A472J	CHIP R 4.7K J 1/10W	
R52			RK73GB2A104J	CHIP R 100K J 1/10W	
R53			RK73GB2A103J	CHIP R 10K J 1/10W	
R54			RK73GB2A104J	CHIP R 100K J 1/10W	
R70			RK73GB2A103J	CHIP R 10K J 1/10W	
R71			RK73GB2A183J	CHIP R 18K J 1/10W	
R73			RK73GB2A683J	CHIP R 68K J 1/10W	
R74			RK73GB2A123J	CHIP R 12K J 1/10W	
R75			RK73GB2A333J	CHIP R 33K J 1/10W	
R76			RK73GB2A103J	CHIP R 10K J 1/10W	
R79 ,80			RK73GB2A103J	CHIP R 10K J 1/10W	
R81			RK73GB2A333J	CHIP R 33K J 1/10W	
R82			RK73GB2A223J	CHIP R 22K J 1/10W	
R84			RK73GB2A103J	CHIP R 10K J 1/10W	
R101,102			RK73GB2A332J	CHIP R 3.3K J 1/10W	
R103,104			RK73GB2A562J	CHIP R 5.6K J 1/10W	
R107,108			RK73FB2B331J	CHIP R 330 J 1/8W	
R110			RK73FB2B201J	CHIP R 200 J 1/8W	
R117,118			RK73FB2B203J	CHIP R 20K J 1/8W	
R121,122			RK73FB2B203J	CHIP R 20K J 1/8W	
R125,126			RK73FB2B203J	CHIP R 20K J 1/8W	
R202			RK73GB2A104J	CHIP R 100K J 1/10W	
R213			RK73GB2A104J	CHIP R 100K J 1/10W	BB1B2
R213			RK73GB2A104J	CHIP R 100K J 1/10W	B3
R214			RK73GB2A104J	CHIP R 100K J 1/10W	AA1A2
R214			RK73GB2A104J	CHIP R 100K J 1/10W	A3
R218			RK73GB2A473J	CHIP R 47K J 1/10W	
R233			RK73GB2A622J	CHIP R 6.2K J 1/10W	
R234			RK73GB2A103J	CHIP R 10K J 1/10W	
S1 ,2			S68-0863-05	PUSH SWITCH	
S3			S68-0862-05	PUSH SWITCH	
S4			S68-0864-05	PUSH SWITCH	A2A3B2
S4			S68-0864-05	PUSH SWITCH	B3
D1			DAN202U	DIODE	
D2			MA8051-L	ZENER DIODE	

B : X92-4450-00 (DXM-6110W) **B1** : X92-4450-01 (DXM-6111W)
B2 : X92-4450-02 (DXM-6112W) **B3** : X92-4450-03 (DXM-6113W)

PARTS LIST

* New Parts

Parts without **Parts No.** are not supplied.

Les articles non mentionnes dans le **Parts No.** ne sont pas fournis.

Teile ohne **Parts No.** werden nicht geliefert.

CD PLAYER UNIT (X32-5180-0X, X32-5200-0X)

Ref. No.	A d d	N e w	Parts No.	Description	D e s t i n a t i o n
D3			DA204U	DIODE	
D4			DAN202U	DIODE	
IC1			AN22000AA	ANALOGUE IC	
IC2		*	MN662773KH2	MOS-IC	BB1B2
IC2		*	MN662773KH2	MOS-IC	B3
IC2			MN662774KJ2	MOS-IC	AA1A2
IC2			MN662774KJ2	MOS-IC	A3
IC4			BA5824FP	ANALOGUE IC	
IC6			NJM4580M1	ANALOGUE IC	
Q1			MCH6101	TRANSISTOR	
Q2			DTC124EUA	DIGITAL TRANSISTOR	
Q3			DTA143XUA	DIGITAL TRANSISTOR	
Q4			2SA1362(Y)	TRANSISTOR	
Q5			DTC124EUA	DIGITAL TRANSISTOR	
CD MECHANISM ASSY (X92-4430-0X, X92-4450-0X)					
2	1B		A10-4827-12	CHASSIS (OUTER)	
5	1B		D10-4576-23	ARM ASSY (CLAMPER ASSY)	
8	2A		D10-4579-03	LEVER ASSY (ROLLER ASSY)	
10	3A		D10-4581-13	ARM (DISC L)	
11	2A		D10-4582-13	ARM (DISC L)	
12	3A		D10-4583-03	ARM (JOINT L)	
13	3A		D10-4584-03	ARM (JOINT R)	
14	3B		D10-4585-03	ARM (CARRIER)	
15	2A		D10-4586-03	SLIDER (L)	
16	3B	*	D10-4587-12	SLIDER (R)	
17	3B		D10-4588-03	SLIDER (TRIG)	
18	3B		D10-4595-04	ARM (LOCK)	
19	3B		D10-4596-04	ARM (ROLLER)	
22	2A		D13-2151-04	GEAR (ROLLER)	
23	2B		D13-2152-04	GEAR (HELICAL 1)	
24	3B		D13-2153-04	GEAR (SUN)	
25	3B		D13-2154-04	GEAR (PLANET)	
26	3B		D13-2155-04	WORM (2)	
27	3B		D13-2156-04	GEAR (HELICAL 2)	
28	3B		D13-2157-04	GEAR (LOAD 1)	
29	3B		D13-2158-04	GEAR (LOAD 2)	
30	3B		D13-2168-04	GEAR (PICK 1)	
31	3B		D13-2171-04	GEAR (PICK 2)	
32	2B		D13-2172-03	RACK (GEAR)	
33	2A		D14-0759-04	ROLLER (N100X3DIES)	
35	2B		D21-2382-04	SHAFT (PICK)	
36	1A		D23-0954-04	RETAINER	
37	1B		D39-0246-05	DAMPER	
38	2B		G01-3072-04	EXTENSION SPRING (TRIGGER)	
39	2A		G01-3073-04	TORSION COIL SPRING (ROLLER L)	
40	2A		G01-3074-04	EXTENSION SPRING (ROLLER R)	
41	2B		G01-3075-04	EXTENSION SPRING (PICKUP)	
42	2A		G01-3076-04	EXTENSION SPRING (JOINT SP)	
43	1B		G01-3077-04	EXTENSION SPRING (FLOATING)	
44	2B		G02-1399-04	FLAT SPRING (CLAMP)	
45	2B		G02-1408-04	FLAT SPRING (WORM)	
51	1A		J21-9676-12	MOUNTING HARDWARE (GUIDE BKT)	
52	3B		J21-9677-02	MOUNTING HARDWARE (GEAR BKT)	

Ref. No.	A d d	N e w	Parts No.	Description	D e s t i n a t i o n
53	1B		J21-9678-03	MOUNTING HARDWARE (DAMPER BKT)	
55	1A		J90-1001-11	GUIDE (1)	
56	1B		J90-1023-03	GUIDE (2)	
DFPC1	2B		J84-0128-15	FLEXIBLE P. W. B. (PICKUP FPC)	
A	2B		N09-4460-05	TAPTITE SCREW (OVAL P TAPTIT)	
B	1B		N09-4472-05	MACHINE SCREW (M1.7X8.5)	
C	2B		N09-6004-05	MACHINE SCREW (M1.7X2.5 IB-L)	
D	1B		N09-6006-05	TAPTITE SCREW (PAN ST 2X3.5T)	
E	2B		N09-6007-05	MACHINE SCREW (PAN M2X2)	
F	1A		N09-6051-05	TAPTITE SCREW (BIND P 2X5)	
G	2A		N19-2163-04	FLAT WASHER (1.6X0.25X6)	
H	1B		N39-2020-46	PAN HEAD MACHIN SCREW (M2X2)	
DM1	3B		T42-1066-04	DC MOTOR ASSY (SP)	
DM2	2B		T42-1067-04	DC MOTOR ASSY (LO)	
DPU1	2B		T25-0105-15	OPTICAL PICKUP HEAD	

A : X92-4430-00 (DXM-6010W) A1 : X92-4430-01 (DXM-6011W)
A2 : X92-4430-02 (DXM-6012W) A3 : X92-4430-03 (DXM-6013W)

B : X92-4450-00 (DXM-6110W) B1 : X92-4450-01 (DXM-6111W)
B2 : X92-4450-02 (DXM-6112W) B3 : X92-4450-03 (DXM-6113W)