

KENWOOD

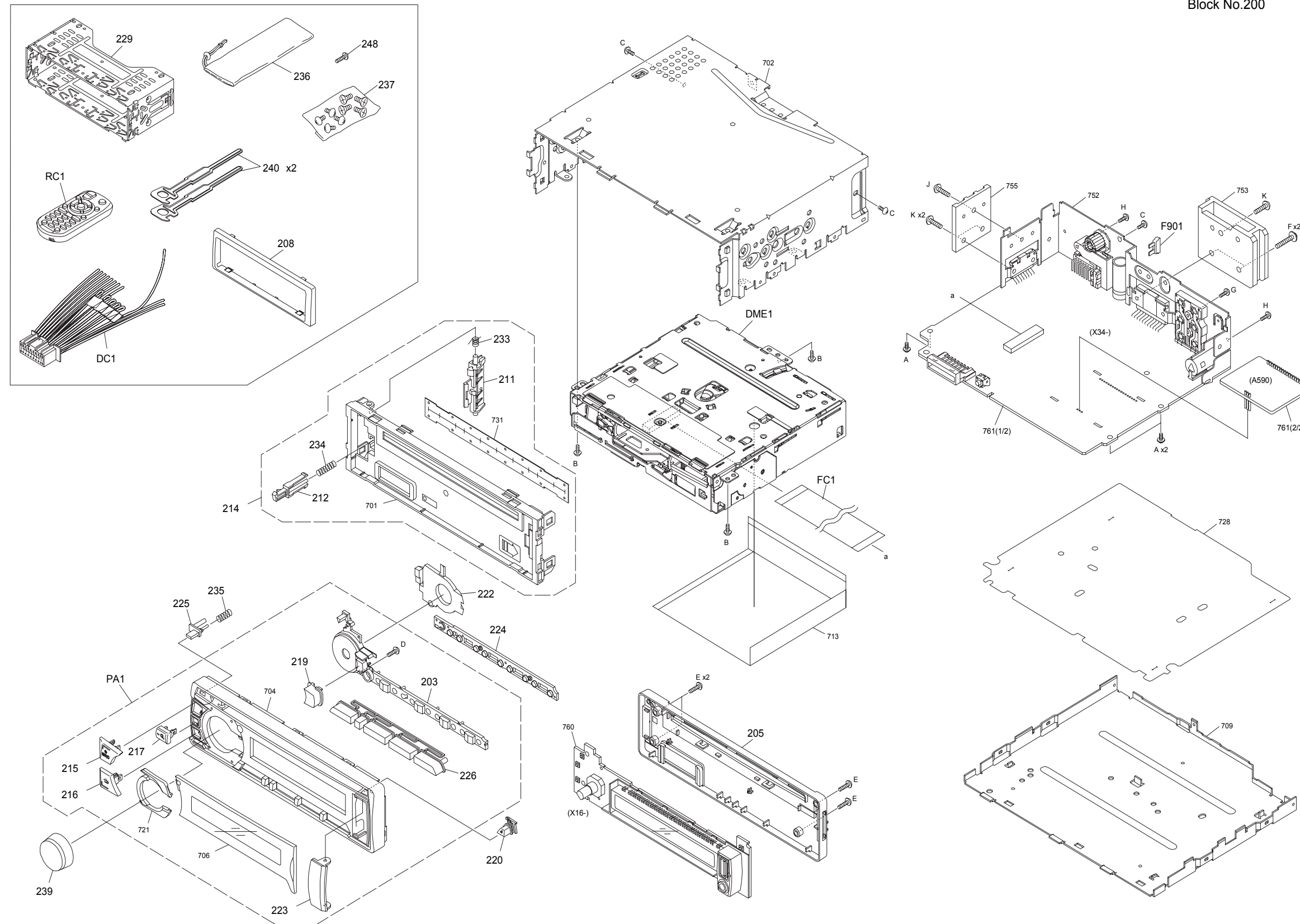
PARTS LIST

CD RECEIVER

KDC-X596

EXPLODED VIEW (UNIT)

Block No.200



Parts with the exploded numbers larger than 700 are not supplied.

MODEL	MARK
KDC-X596	

Safe	Symbol No.	Parts No.	Parts Name	Description	QTY	Local
EXPLODED VIEW (UNIT) <200>						
	DC1	QAM1341-001	CAR CABLE		1	
	DME1	X92-6740-00	MECHANISM ASSY (HCS-1100W)	HCS-1100W	1	
△	F901	QMFZ064-100-J1	FUSE	10A	1	
	FC1	WJT0295-001A-E	E-CARD WIRE		1	
	PA1	GE20290-017A	F. PANEL ASSY		1	
	RC1	QAL1303-001	REMOTE CONTROL UNIT (RC-405)		1	
	A	GE40377-002A	SCREW		3	
	B	QYSDST2604ZA	TAP SCREW	TOP C + MEC	3	
	C	QYSDST2606ZA	TAP SCREW	RBKT + TOP	3	
	D	QYSPSF2006ZA	TAP SCREW	M2 x 6mm	1	
	E	QYSPSF2008ZA	TAP SCREW	M2 x 8mm	4	
	F	GE40377-005A	SPECIAL SCREW		2	
	G	QYSDSF2608ZA	TAP SCREW	M2.6 x 8mm	1	
	H	QYSDSG3006ZA	TAP SCREW	M3 x 6mm	2	
	J	QYSDST2608ZA	TAP SCREW	M2.6 x 8mm	1	
	K	QYSDST2610ZA	TAP SCREW	M2.6 x 10mm	3	
	203	GE10309-001A	LIGHT GUIDE		1	
	205	GE10313-001A	REAR COVER		1	
	208	GE20291-001A	TRIM PLATE		1	
	211	GE34045-001A	LOCK LEVER		1	
	212	GE34046-001A	RELEASE LEVER		1	
	214	GE34074-001A	F.CHASSIS ASSY	20PIN	1	
	215	GE34291-001A	SRC BUTTON		1	
	216	GE34292-001A	BACK BUTTON		1	
	217	GE34293-002A	SEARCH BTN		1	
	219	GE34496-003A	ACC BTN (HD)	HD	1	
	220	GE34497-001A	EJECT BUTTON		1	
	222	GE34500-001A	LIGHTING LENS		1	
	223	GE34502-001A	USB DOOR COVER		1	
	224	GE34504-001A	CONDUCT. RUBBER		1	
	225	GE34505-001A	DETACH BUTTON		1	
	226	GE34517-001A	PRESET BTN		1	
	229	GE34826-001A	M.SLEEVE ASSY		1	
	233	GE40504-001A	SPRING		1	
	234	GE40505-001A	SPRING		1	
	235	GE40505-002A	SPRING		1	
	236	GE40520-001A	CARRYING CASE		1	
	237	GE40536-001A	SCREW SET		1	
	239	GE40562-003A	VOL KNOB RUBBER		1	
	240	GE40578-001A	HOOK		2	
	248	QYSPSF2008MA	TAP SCREW	ANTI THEFT	1	
	-	GET0752-001B	INST BOOK	ENG FRE SPA	1	
	-	GE34576-002A	INNER CARTON		1	

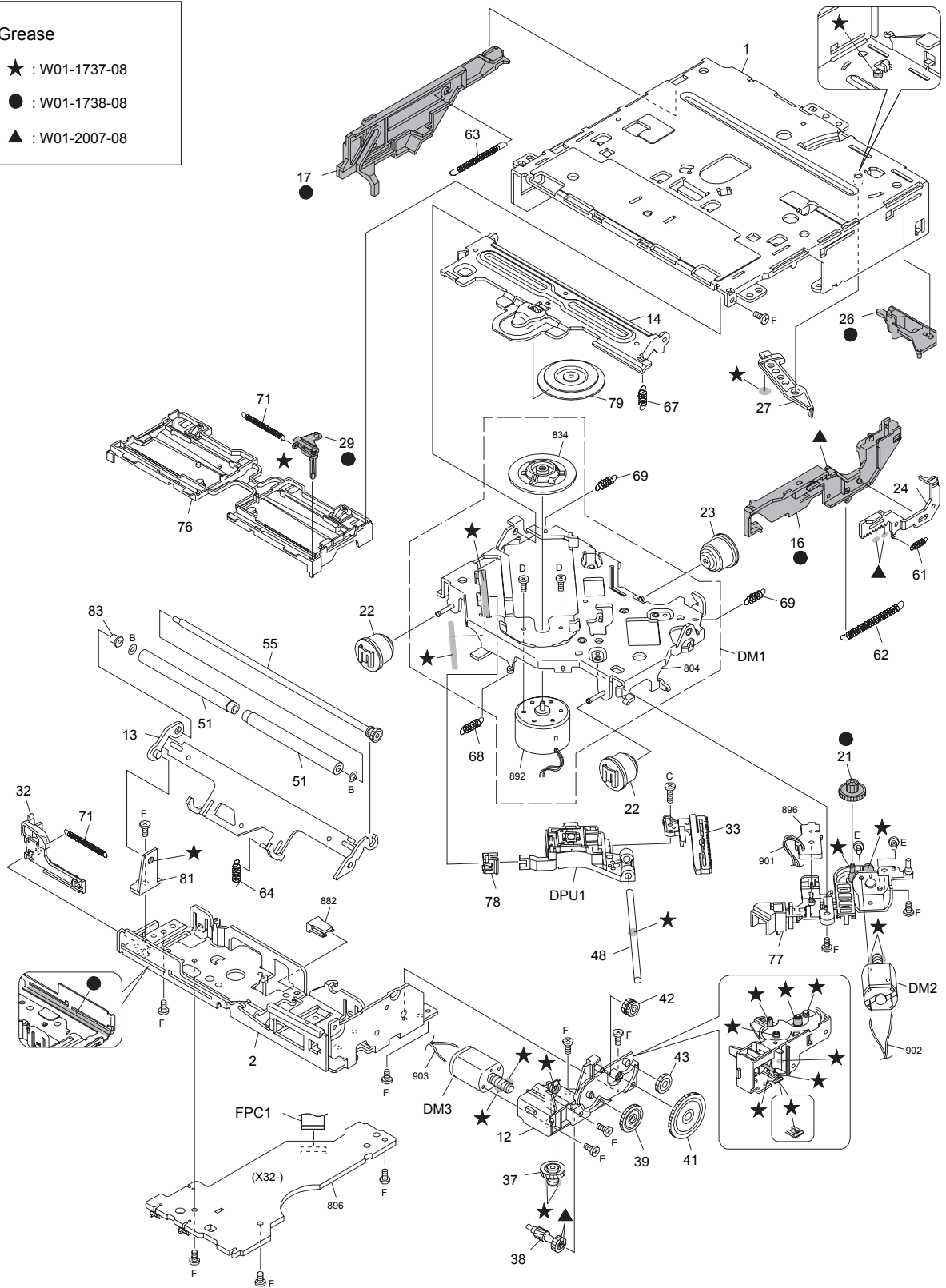
EXPLODED VIEW (CD MECHANISM)

Block No.130

HCS-1100W

Grease

- ★ : W01-1737-08
- : W01-1738-08
- ▲ : W01-2007-08



Parts with the exploded numbers larger than 700 are not supplied.

MODEL	MARK
KDC-X596	

Safe	Symbol No.	Parts No.	Parts Name	Description	QTY	Local
EXPLODED VIEW (CD MECHANISM) <130>						
	DM1	X94-2150-00	SPINDLE MOTOR ASSY	SERVICE	1	
	DM2	X94-2160-00	FEED MOTOR ASSY	SERVICE	1	
	DM3	X94-2170-00	LOADING MOTOR ASSY	SERVICE	1	
	DPU1	QAL1226-001	PICK UP		1	
	FPC1	QAL0817-003	FPC		1	
	B	LV45449-001A	WASHER		2	
	C	QYSPSGT1745ZA	TAP SCREW	M1.7 x 4.5mm	1	
	D	LV45568-001A	MINI SCREW		2	
	E	QYSPSPT2025MA	SCREW	M2 x 2.5mm	4	
	F	VKZ4539-054	MINI SCREW		11	
	1	LV11685-503A	TOP FRAME		1	
	2	LV11686-501A	BOTTOM FRAME		1	
	12	LV11688-501A	LOADING BASE		1	
	13	LV11690-501A	ROLLER ARM		1	
	14	LV22825-502A	HC CLAMPER BASE		1	
	16	LV22826-502A	LOAD CAM		1	
	17	LV22827-501A	FL SLIDER(L)		1	
	21	LV36815-501A	F WHEEL GEAR		1	
	22	LV36904-001A	DAMPER		2	
	23	LV37061-001A	DAMPER		1	
	24	LV38951-501A	TRIGGER RACK		1	
	26	LV38952-501A	FL SLIDER(B)		1	
	27	LV38953-501A	TRIGGER PLATE		1	
	29	LV38957-501A	SW SLIDER(R)		1	
	32	LV39496-502A	SW ACTUATOR (2)		1	
	33	LV38960-501A	FEED RACK		1	
	37	LV38964-501A	D.WHEEL GEAR		1	
	38	LV38965-501A	ACT GEAR(1)		1	
	39	LV38966-501A	ACT GEAR(2)		1	
	41	LV38967-501A	ACT GEAR(3)		1	
	42	LV38968-501A	ROLLER ACT GEAR		1	
	43	LV38969-501A	DRIVE GEAR		1	
	48	LV44555-001A	MAIN SHAFT		1	
	51	LV45424-001A	HC ROLLER		2	
	55	X94-2190-00	ROLLER SHAFT ASSY	SERVICE	1	
	61	LV45415-501A	TRIGGER SPRING		1	
	62	LV45416-501A	LOAD CAM SPRING		1	
	63	LV45417-501A	FL SLIDER SPRING		1	
	64	LV45418-501A	R.ARM SPRING		1	
	67	LV45421-501A	HC CL SPRING		1	
	68	LV45422-501A	SUS SPRING(F)		1	
	69	LV45423-501A	SUS SPRING(B)		2	
	71	LV45505-502A	SW ACT SPRING		2	
	76	LV11689-501A	DISC GUIDE		1	
	77	LV22828-501A	FEED BRACKET		1	
	78	LV36813-501A	SUB GUIDE CAP		1	
	79	LV36819-502A	CLAMPER		1	
	81	LV38954-501A	R.ARM GUIDE		1	
	83	LV45648-501A	RA COLLAR (L) 2		1	
ELECTRIC UNIT (X34-7270-11) <X34>						
△	IC1	TDA7706	INTEGRATED	CIRCUIT(MOS-IC)	1	
	IC80	MFI341S2162-X	IC		1	
	IC161	TDA7720-X	IC		1	
△	IC301	TB2926CHQ	IC		1	
△	IC501	LV8281VR-X	INTEGRATED	CIRCUIT(MOS-IC)	1	
	IC530	XC6213B332NG-X	IC		1	
	IC531	XC6213B152NG-X	IC		1	
	IC532	XC6213B152NG-X	IC		1	
△	IC540	JCV8022	IC		1	
△	IC701	W10-0733-08	INTEGRATED	CIRCUIT(MCU)	1	
	IC702	XC6120N282NG-X	INTEGRATED	CIRCUIT(MOS-IC)	1	
	IC771	BR24T256FJ-W-X	INTEGRATED	CIRCUIT(ROM)	1	
△	IC901	LV5680P	IC		1	
△	IC910	NJM2855DL1-33X	IC		1	
△	IC912	XC6222B121PG-X	IC		1	
	IC922	TC7WBL126AFK-X	INTEGRATED	CIRCUIT(MOS-IC)	1	
	IC931	XC6213B332NG-X	IC		1	
	IC981	BD9673EFJ-X	INTEGRATED	CIRCUIT(MOS-IC)	1	
△	IC983	NJM2855DL1-05X	IC		1	
	Q251	IMX9-W	PAIR TRANSISTOR		1	
	Q321	IMX9-W	PAIR TRANSISTOR		1	
	Q341	IMX9-W	PAIR TRANSISTOR		1	
	Q540	2SA2188/F-X	TRANSISTOR		1	
	Q701	DRA2114Y-X	DIGI TRANSISTOR		1	
	Q780	DRA2124E-X	DIGI TRANSISTOR		1	
	Q781	DRA2124E-X	DIGI TRANSISTOR		1	
	Q782	DRC2124E-X	DIGI TRANSISTOR		1	
	Q951	2SA812A/5-6/-X	TRANSISTOR		1	
	Q952	DRC2144E-X	DIGI TRANSISTOR		1	
	Q963	DRC2144E-X	DIGI TRANSISTOR		1	
	Q964	RSQ025P03-W	TRANSISTOR		1	
	Q965	DRC2144E-X	DIGI TRANSISTOR		1	
	Q966	RSQ025P03-W	TRANSISTOR		1	
	Q970	2SC1623A/5-6/X	TRANSISTOR		1	
	Q971	2SC1623A/5-6/X	TRANSISTOR		1	

MODEL	MARK
KDC-X596	

Safe	Symbol No.	Parts No.	Parts Name	Description	QTY	Local
	D1	RN731V-X	SI DIODE		1	
	D3	RN731V-X	SI DIODE		1	
	D5	NAF0024-001X	ESD SUPPRESSOR		1	
	D100	DZ2J062/M/-X	Z DIODE		1	
	D101	DZ2J062/M/-X	Z DIODE		1	
	D110	DZ2J062/M/-X	Z DIODE		1	
	D111	DZ2J062/M/-X	Z DIODE		1	
	D251	BAW56-TP-X	SI DIODE		1	
	D321	BAW56-TP-X	SI DIODE		1	
	D341	BAW56-TP-X	SI DIODE		1	
	D502	GS1J-LTP-X	DIODE		1	
	D540	RKS801KF-X	SI DIODE		1	
	D704	RKZ6.2B2KG-X	Z DIODE		1	
	D780	BAW56-TP-X	SI DIODE		1	
	D781	BAW56-TP-X	SI DIODE		1	
	D782	RKS801KF-X	SI DIODE		1	
	D783	BAW56-TP-X	SI DIODE		1	
	D891	BAW56-TP-X	SI DIODE		1	
△	D901	1N5401-BPC04	SI DIODE		1	
	D931	MBRX130-TP-X	SB DIODE		1	
	D937	MBRX130-TP-X	SB DIODE		1	
	D939	GS1J-LTP-X	DIODE		1	
	D941	MBRX130-TP-X	SB DIODE		1	
	D942	MBRX130-TP-X	SB DIODE		1	
	D970	RKZ6.8B2KG-X	Z DIODE		1	
	D971	RKZ6.8B2KG-X	Z DIODE		1	
	D981	DB22306-X	SB DIODE		1	
	C1	NDC31HJ-330X	C CAPACITOR	33pF 50V J	1	
	C3	NCB31EK-473X	C CAPACITOR	0.047uF 25V K	1	
	C4	NCB31HK-102X	C CAPACITOR	1000pF 50V K	1	
	C6	NDC31HJ-390X	C CAPACITOR	39pF 50V J	1	
	C7	NDC31HJ-471X	C CAPACITOR	470pF 50V J	1	
	C8	NDC31HJ-6R0X	C CAPACITOR	6pF 50V J	1	
	C9	NCB31HK-102X	C CAPACITOR	1000pF 50V K	1	
	C10	NCB31HK-103X	C CAPACITOR	0.01uF 50V K	1	
	C14	NCB31HK-472X	C CAPACITOR	4700pF 50V K	1	
	C17	NCJ11EK-106X-R	C CAPACITOR	10uF 25V	1	
	C18	NCB31HK-103X	C CAPACITOR	0.01uF 50V K	1	
	C19	NDC31HJ-221X	C CAPACITOR	220pF 50V J	1	
	C21	NCB20JK-106X	C CAPACITOR	10uF 6.3V K	1	
	C22	NCB31CK-104X	C CAPACITOR	0.1uF 16V	1	
	C23	NDC31HJ-101X	C CAPACITOR	100pF 50V J	1	
	C24	NCBA1CK-104W	C CAPACITOR	0.1uF 16V K	1	
	C25	NCBA1EK-103W	C CAPACITOR	0.01uF 25V K	1	
	C26	NDC31HJ-820X	C CAPACITOR	82pF 50V J	1	
	C27	NCB31CK-105X	C CAPACITOR	1uF 16V K	1	
	C28	NCB20JK-106X	C CAPACITOR	10uF 6.3V K	1	
	C29	NDC31HJ-471X	C CAPACITOR	470pF 50V J	1	
	C30	NCB31HK-103X	C CAPACITOR	0.01uF 50V K	1	
	C31	NCB31CK-224X	C CAPACITOR	0.22uF 16V K	1	
	C32	NCBA1CK-104W	C CAPACITOR	0.1uF 16V K	1	
	C33	NCB31HK-472X	C CAPACITOR	4700pF 50V K	1	
	C34	NCB31HK-104X	C CAPACITOR	0.1uF 50V K	1	
	C35	NDC31HJ-100X	C CAPACITOR	10pF 50V J	1	
	C36	NCBA1EK-103W	C CAPACITOR	0.01uF 25V K	1	
	C40	NCB31HK-102X	C CAPACITOR	1000pF 50V K	1	
	C41	NCB31HK-102X	C CAPACITOR	1000pF 50V K	1	
	C42	NCB31CK-105X	C CAPACITOR	1uF 16V K	1	
	C43	QEKJ1HM-475Z	E CAPACITOR	4.7uF 50V M	1	
	C44	QEKJ1HM-475Z	E CAPACITOR	4.7uF 50V M	1	
	C45	NCBA1CK-104W	C CAPACITOR	0.1uF 16V K	1	
	C46	NDC31HJ-7R0X	C CAPACITOR	7pF 50V J	1	
	C47	NDC31HJ-7R0X	C CAPACITOR	7pF 50V J	1	
	C48	NCB31HK-104X	C CAPACITOR	0.1uF 50V K	1	
	C49	NCB31HK-104X	C CAPACITOR	0.1uF 50V K	1	
	C51	NCBA1CK-104W	C CAPACITOR	0.1uF 16V K	1	
	C53	NCBA1CK-104W	C CAPACITOR	0.1uF 16V K	1	
	C58	NDC31HJ-2R0X	C CAPACITOR	2pF 50V J	1	
	C59	NDC31HJ-5R0X	C CAPACITOR	5pF 50V J	1	
	C63	NCB31CK-105X	C CAPACITOR	1uF 16V K	1	
	C64	NCBA1CK-104W	C CAPACITOR	0.1uF 16V K	1	
	C65	NCB31CK-474X	C CAPACITOR	0.47uF 16V K	1	
	C66	NCBA1EK-103W	C CAPACITOR	0.01uF 25V K	1	
	C67	NCBA1EK-103W	C CAPACITOR	0.01uF 25V K	1	
	C69	NCB31AK-105X	C CAPACITOR	1uF 10V K	1	
	C71	NCB31HK-102X	C CAPACITOR	1000pF 50V K	1	
	C72	NDC31HJ-4R0X	C CAPACITOR	4pF 50V J	1	
	C73	NDC31HJ-120X	C CAPACITOR	12pF 50V J	1	
	C74	QEKJ1CM-107Z	E CAPACITOR	100uF 16V M	1	
	C80	NCB31EK-473X	C CAPACITOR	0.047uF 25V K	1	
	C101	NCB31CK-105X	C CAPACITOR	1uF 16V K	1	
	C102	NCB31CK-105X	C CAPACITOR	1uF 16V K	1	
	C111	NCB31CK-105X	C CAPACITOR	1uF 16V K	1	
	C112	NCB31CK-104X	C CAPACITOR	0.1uF 16V	1	
	C160	QEKJ1CM-106Z	E CAPACITOR	10uF 16V M	1	
	C166	NCB31CK-104X	C CAPACITOR	0.1uF 16V	1	
	C168	NCB31CK-104X	C CAPACITOR	0.1uF 16V	1	
	C169	NCB31AK-105X	C CAPACITOR	1uF 10V K	1	
	C170	NCB31AK-105X	C CAPACITOR	1uF 10V K	1	
	C171	NCB31AK-105X	C CAPACITOR	1uF 10V K	1	
	C172	QEKJ1CM-107Z	E CAPACITOR	100uF 16V M	1	
	C177	NCB31AK-105X	C CAPACITOR	1uF 10V K	1	

MODEL	MARK
KDC-X596	

Safe	Symbol No.	Parts No.	Parts Name	Description	QTY	Local
	C251	QEKJ1HM-106Z	E CAPACITOR	10uF 50V M	1	
	C252	QEKJ1HM-106Z	E CAPACITOR	10uF 50V M	1	
	C253	NDC31HJ-101X	C CAPACITOR	100pF 50V J	1	
	C254	NDC31HJ-101X	C CAPACITOR	100pF 50V J	1	
	C301	NCB21CK-224X-A	C CAPACITOR	0.22uF 16V K	1	
	C302	NCB21CK-224X-A	C CAPACITOR	0.22uF 16V K	1	
	C303	NCB21CK-224X-A	C CAPACITOR	0.22uF 16V K	1	
	C304	NCB21CK-224X-A	C CAPACITOR	0.22uF 16V K	1	
	C309	QEKJ1CM-226Z	E CAPACITOR	22uF 16V M	1	
	C310	QERF1CM-106Z	E CAPACITOR	10uF 16V M	1	
	C311	NDC31HJ-680X	C CAPACITOR	68pF 50V J	1	
	C312	NDC31HJ-680X	C CAPACITOR	68pF 50V J	1	
	C313	NCB21AK-105X-A	C CAPACITOR	1uF 10V K	1	
	C314	NCB31AK-105X	C CAPACITOR	1uF 10V K	1	
	C315	NCB31AK-105X	C CAPACITOR	1uF 10V K	1	
	C316	NDC31HJ-150X	C CAPACITOR	15pF 50V J	1	
	C317	NDC31HJ-150X	C CAPACITOR	15pF 50V J	1	
	C320	QEKJ1HM-106Z	E CAPACITOR	10uF 50V M	1	
	C321	NDC31HJ-101X	C CAPACITOR	100pF 50V J	1	
	C330	QEKJ1HM-106Z	E CAPACITOR	10uF 50V M	1	
	C331	NDC31HJ-101X	C CAPACITOR	100pF 50V J	1	
	C340	QEKJ1HM-106Z	E CAPACITOR	10uF 50V M	1	
	C341	NDC31HJ-101X	C CAPACITOR	100pF 50V J	1	
	C350	QEKJ1HM-106Z	E CAPACITOR	10uF 50V M	1	
	C351	NDC31HJ-101X	C CAPACITOR	100pF 50V J	1	
	C403	NDC31HJ-101X	C CAPACITOR	100pF 50V J	1	
	C408	NDC31HJ-101X	C CAPACITOR	100pF 50V J	1	
	C504	NCB31HK-104X	C CAPACITOR	0.1uF 50V K	1	
	C505	NCB31HK-473X	C CAPACITOR	0.047uF 50V K	1	
	C506	NCB31CK-224X	C CAPACITOR	0.22uF 16V K	1	
	C507	NCB31HK-104X	C CAPACITOR	0.1uF 50V K	1	
	C508	NDC31HJ-471X	C CAPACITOR	470pF 50V J	1	
	C509	NDC31HJ-471X	C CAPACITOR	470pF 50V J	1	
	C510	NDC31HJ-471X	C CAPACITOR	470pF 50V J	1	
	C511	NCB31HK-472X	C CAPACITOR	4700pF 50V K	1	
	C512	NCB31HK-472X	C CAPACITOR	4700pF 50V K	1	
	C513	NCB31CK-104X	C CAPACITOR	0.1uF 16V	1	
	C514	QERF1AM-107Z	E CAPACITOR	100uF 10V M	1	
	C517	NCB31CK-104X	C CAPACITOR	0.1uF 16V	1	
	C530	QEKJ0JM-476Z	E CAPACITOR	47uF 6.3V M	1	
	C531	NCB31HK-104X	C CAPACITOR	0.1uF 50V K	1	
	C532	QEKJ0JM-476Z	E CAPACITOR	47uF 6.3V M	1	
	C533	NCB31CK-104X	C CAPACITOR	0.1uF 16V	1	
	C534	QEKJ0JM-476Z	E CAPACITOR	47uF 6.3V M	1	
	C535	NCBA1CK-104W	C CAPACITOR	0.1uF 16V K	1	
	C536	QERF0JM-337Z	E CAPACITOR	330uF 6.3V M	1	
	C537	NDC31HJ-2R0X	C CAPACITOR	2pF 50V J	1	
	C540	NCB31CK-104X	C CAPACITOR	0.1uF 16V	1	
	C541	NCB31HK-222X	C CAPACITOR	2200pF 50V K	1	
	C542	NCBA1CK-104W	C CAPACITOR	0.1uF 16V K	1	
	C543	NCBA1EK-103W	C CAPACITOR	0.01uF 25V K	1	
	C544	NCB31HK-332X	C CAPACITOR	3300pF 50V K	1	
	C545	NCB31CK-104X	C CAPACITOR	0.1uF 16V	1	
	C546	NCB31AK-105X	C CAPACITOR	1uF 10V K	1	
	C547	NCB31HK-153X	C CAPACITOR	0.015uF 50V K	1	
	C548	NDC31HJ-680X	C CAPACITOR	68pF 50V J	1	
	C549	NCB31CK-104X	C CAPACITOR	0.1uF 16V	1	
	C550	NCB20JK-106X	C CAPACITOR	10uF 6.3V K	1	
	C551	NCB31HK-104X	C CAPACITOR	0.1uF 50V K	1	
	C552	NCB31HK-333X	C CAPACITOR	0.033uF 50V K	1	
	C553	NCB31HK-472X	C CAPACITOR	4700pF 50V K	1	
	C554	NDC31HJ-331X	C CAPACITOR	330pF 50V J	1	
	C555	NDC31HJ-681X	C CAPACITOR	680pF 50V J	1	
	C556	NCB31CK-683X	C CAPACITOR	0.068uF 16V K	1	
	C557	NCB31HK-333X	C CAPACITOR	0.033uF 50V K	1	
	C558	NCBA1CK-104W	C CAPACITOR	0.1uF 16V K	1	
	C559	NCB31CK-104X	C CAPACITOR	0.1uF 16V	1	
	C560	NDCA1HJ-101W	C CAPACITOR	100pF 50V J	1	
	C561	NCB20JK-106X	C CAPACITOR	10uF 6.3V K	1	
	C562	NCB20JK-106X	C CAPACITOR	10uF 6.3V K	1	
	C563	NDCA1HJ-101W	C CAPACITOR	100pF 50V J	1	
	C564	NCB31HK-104X	C CAPACITOR	0.1uF 50V K	1	
	C565	NCBA1CK-104W	C CAPACITOR	0.1uF 16V K	1	
	C566	NCB31CK-104X	C CAPACITOR	0.1uF 16V	1	
	C567	NCB31AK-105X	C CAPACITOR	1uF 10V K	1	
	C568	NCB31CK-104X	C CAPACITOR	0.1uF 16V	1	
	C569	NCBA1CK-104W	C CAPACITOR	0.1uF 16V K	1	
	C570	NCB31HK-104X	C CAPACITOR	0.1uF 50V K	1	
	C571	NDCA1HJ-470W	C CAPACITOR	47pF 50V J	1	
	C572	NCB31HK-153X	C CAPACITOR	0.015uF 50V K	1	
	C573	NCB31CK-104X	C CAPACITOR	0.1uF 16V	1	
	C574	NCBA1EK-103W	C CAPACITOR	0.01uF 25V K	1	
	C576	NCB31HK-152X	C CAPACITOR	1500pF 50V K	1	
	C582	NDC31HJ-101X	C CAPACITOR	100pF 50V J	1	
	C583	NDC31HJ-101X	C CAPACITOR	100pF 50V J	1	
	C584	QEKJ1HM-475Z	E CAPACITOR	4.7uF 50V M	1	
	C586	QEKJ1HM-475Z	E CAPACITOR	4.7uF 50V M	1	
	C700	NCB31HK-472X	C CAPACITOR	4700pF 50V K	1	
	C701	NDC31HJ-100X	C CAPACITOR	10pF 50V J	1	
	C702	NDC31HJ-100X	C CAPACITOR	10pF 50V J	1	
	C703	NCB31HK-103X	C CAPACITOR	0.01uF 50V K	1	
	C704	QEKJ1CM-107Z	E CAPACITOR	100uF 16V M	1	
	C705	NCBA1CK-104W	C CAPACITOR	0.1uF 16V K	1	

MODEL	MARK
KDC-X596	

Safe	Symbol No.	Parts No.	Parts Name	Description	QTY	Local
	C706	NCBA1AK-104W	C CAPACITOR	0.1uF 10V K	1	
	C708	NCB31CK-104X	C CAPACITOR	0.1uF 16V	1	
	C711	NCB31CK-104X	C CAPACITOR	0.1uF 16V	1	
	C712	NCBA1CK-104W	C CAPACITOR	0.1uF 16V K	1	
	C713	NCBA1CK-104W	C CAPACITOR	0.1uF 16V K	1	
	C714	NCBA1CK-104W	C CAPACITOR	0.1uF 16V K	1	
	C715	NCB31CK-104X	C CAPACITOR	0.1uF 16V	1	
	C716	NCBA1CK-104W	C CAPACITOR	0.1uF 16V K	1	
	C717	NCBA1CK-104W	C CAPACITOR	0.1uF 16V K	1	
	C718	NCB31AK-474X	C CAPACITOR	0.47uF 10V K	1	
	C721	NCB31HK-472X	C CAPACITOR	4700pF 50V K	1	
	C722	NCJ11EK-106X-R	C CAPACITOR	10uF 25V	1	
	C724	NDC31HJ-180X	C CAPACITOR	18pF 50V J	1	
	C725	NDC31HJ-180X	C CAPACITOR	18pF 50V J	1	
	C728	NDC31HJ-471X	C CAPACITOR	470pF 50V J	1	
	C891	NCB31HK-104X	C CAPACITOR	0.1uF 50V K	1	
	C901	QEZ0934-338	E CAPACITOR	3300uF	1	
	C903	QEKJ1CM-226Z	E CAPACITOR	22uF 16V M	1	
	C904	QERF1AM-227Z	E CAPACITOR	220uF 10V M	1	
	C905	NCBA1CK-104W	C CAPACITOR	0.1uF 16V K	1	
	C906	QEKJ1CM-107Z	E CAPACITOR	100uF 16V M	1	
	C907	QEKJ1CM-107Z	E CAPACITOR	100uF 16V M	1	
	C910	QEKJ1EM-106Z	E CAPACITOR	10uF 25V M	1	
	C912	NCBA1CK-104W	C CAPACITOR	0.1uF 16V K	1	
	C913	NCBA1CK-104W	C CAPACITOR	0.1uF 16V K	1	
	C914	NCJ11EK-106X-R	C CAPACITOR	10uF 25V	1	
	C917	NCB31HK-472X	C CAPACITOR	4700pF 50V K	1	
	C918	QEKJ1HM-225Z	E CAPACITOR	2.2uF 50V M	1	
	C919	QERF1AM-107Z	E CAPACITOR	100uF 10V M	1	
	C920	NCB31HK-332X	C CAPACITOR	3300pF 50V K	1	
	C921	NCB31CK-105X	C CAPACITOR	1uF 16V K	1	
	C922	NCB21AK-106X	C CAPACITOR	10uF 10V K	1	
	C923	QEKJ1CM-107Z	E CAPACITOR	100uF 16V M	1	
	C924	NCB31CK-105X	C CAPACITOR	1uF 16V K	1	
	C925	NCJ11EK-106X-R	C CAPACITOR	10uF 25V	1	
	C931	NCB31CK-104X	C CAPACITOR	0.1uF 16V	1	
	C932	QERF0JM-337Z	E CAPACITOR	330uF 6.3V M	1	
	C933	NCB31CK-104X	C CAPACITOR	0.1uF 16V	1	
	C934	QERF0JM-337Z	E CAPACITOR	330uF 6.3V M	1	
	C941	NCB31HK-104X	C CAPACITOR	0.1uF 50V K	1	
	C954	NCB31CK-104X	C CAPACITOR	0.1uF 16V	1	
	C958	NCB31CK-105X	C CAPACITOR	1uF 16V K	1	
	C962	QERF1AM-227Z	E CAPACITOR	220uF 10V M	1	
	C963	QEKJ1CM-107Z	E CAPACITOR	100uF 16V M	1	
	C964	NCB31HK-104X	C CAPACITOR	0.1uF 50V K	1	
	C965	NCB31HK-103X	C CAPACITOR	0.01uF 50V K	1	
	C966	NDC31HJ-120X	C CAPACITOR	12pF 50V J	1	
	C970	NCB31HK-561X	C CAPACITOR	560pF 50V K	1	
	C981	NCJ11EK-106X-R	C CAPACITOR	10uF 25V	1	
	C983	NCB31HK-682X	C CAPACITOR	6800pF 50V K	1	
	C984	NCB31CK-104X	C CAPACITOR	0.1uF 16V	1	
	C985	NCJ11EK-106X-R	C CAPACITOR	10uF 25V	1	
	C986	NCJ11EK-106X-R	C CAPACITOR	10uF 25V	1	
	C987	NCJ11EK-106X-R	C CAPACITOR	10uF 25V	1	
	C988	NCB31HK-472X	C CAPACITOR	4700pF 50V K	1	
	C989	NCB31HK-104X	C CAPACITOR	0.1uF 50V K	1	
	C990	NCB31HK-104X	C CAPACITOR	0.1uF 50V K	1	
	C991	NDC31HJ-471X	C CAPACITOR	470pF 50V J	1	
	C992	NDC31HJ-471X	C CAPACITOR	470pF 50V J	1	
	C993	NDC31HJ-471X	C CAPACITOR	470pF 50V J	1	
	C994	NDC31HJ-471X	C CAPACITOR	470pF 50V J	1	
	C995	NDC31HJ-471X	C CAPACITOR	470pF 50V J	1	
	C996	NDC31HJ-471X	C CAPACITOR	470pF 50V J	1	
	C997	NDC31HJ-471X	C CAPACITOR	470pF 50V J	1	
	C998	NDC31HJ-471X	C CAPACITOR	470pF 50V J	1	
	R1	NRSA6AJ-221W	MG RESISTOR	220Ω 1/16W J	1	
	R3	NRSA6AJ-152W	MG RESISTOR	1.5kΩ 1/16W J	1	
	R4	NRSA63J-0R0X	MG RESISTOR	0Ω 1/10W J	1	
	R7	NRSA63J-0R0X	MG RESISTOR	0Ω 1/10W J	1	
	R9	NRSA63J-470X	MG RESISTOR	47Ω 1/16W J	1	
	R10	NRSA63J-470X	MG RESISTOR	47Ω 1/16W J	1	
	R11	NRSA63J-470X	MG RESISTOR	47Ω 1/16W J	1	
	R12	NRSA63J-470X	MG RESISTOR	47Ω 1/16W J	1	
	R13	NRSA63J-470X	MG RESISTOR	47Ω 1/16W J	1	
	R14	NRSA63J-511X	MG RESISTOR	510Ω 1/16W J	1	
	R16	NRSA63J-511X	MG RESISTOR	510Ω 1/16W J	1	
	R17	NRSA63J-511X	MG RESISTOR	510Ω 1/16W J	1	
	R18	NRSA63J-330X	MG RESISTOR	33Ω 1/16W J	1	
	R19	NRSA6AJ-471W	MG RESISTOR	470Ω 1/16W J	1	
	R20	NRSA6AJ-0R0W	MG RESISTOR	0Ω 1/16W J	1	
	R22	NRSA6AJ-681W	MG RESISTOR	680Ω 1/16W J	1	
	R24	NRS181J-0R0X	MG RESISTOR	0Ω 1/8W J	1	
	R25	NRSA63J-0R0X	MG RESISTOR	0Ω 1/10W J	1	
	R26	NRSA6AJ-101W	MG RESISTOR	100Ω 1/16W J	1	
	R27	NRSA6AJ-101W	MG RESISTOR	100Ω 1/16W J	1	
	R30	NRS181J-220X	MG RESISTOR	22Ω 1/8W J	1	
	R31	NRS181J-220X	MG RESISTOR	22Ω 1/8W J	1	
	R32	NRSA63J-471X	MG RESISTOR	470Ω 1/16W J	1	
	R33	NRSA63J-106X	MG RESISTOR	10MΩ 1/16W J	1	
	R34	NRSA63J-0R0X	MG RESISTOR	0Ω 1/10W J	1	
	R35	NRSA63J-0R0X	MG RESISTOR	0Ω 1/10W J	1	
	R36	NRS181J-0R0X	MG RESISTOR	0Ω 1/8W J	1	

MODEL	MARK
KDC-X596	

Safe	Symbol No.	Parts No.	Parts Name	Description	QTY	Local
	R37	NRSA63J-0R0X	MG RESISTOR	0Ω 1/10W J	1	
	R39	NRS181J-0R0X	MG RESISTOR	0Ω 1/8W J	1	
	R40	NRSA63J-0R0X	MG RESISTOR	0Ω 1/10W J	1	
	R41	NRSA63J-102X	MG RESISTOR	1kΩ 1/16W J	1	
	R43	NRSA63J-0R0X	MG RESISTOR	0Ω 1/10W J	1	
	R44	NRSA63J-0R0X	MG RESISTOR	0Ω 1/10W J	1	
	R45	NRSA63J-0R0X	MG RESISTOR	0Ω 1/10W J	1	
	R46	NRS181J-0R0X	MG RESISTOR	0Ω 1/8W J	1	
	R47	NRSA63J-0R0X	MG RESISTOR	0Ω 1/10W J	1	
	R48	NRSA63J-0R0X	MG RESISTOR	0Ω 1/10W J	1	
	R49	NRSA63J-0R0X	MG RESISTOR	0Ω 1/10W J	1	
	R50	NRSA63J-0R0X	MG RESISTOR	0Ω 1/10W J	1	
	R51	NRSA63J-0R0X	MG RESISTOR	0Ω 1/10W J	1	
	R52	NRS181J-0R0X	MG RESISTOR	0Ω 1/8W J	1	
	R53	NRSA63J-0R0X	MG RESISTOR	0Ω 1/10W J	1	
	R54	NRSA63J-0R0X	MG RESISTOR	0Ω 1/10W J	1	
	R55	NRSA63J-0R0X	MG RESISTOR	0Ω 1/10W J	1	
	R57	NRSA63J-0R0X	MG RESISTOR	0Ω 1/10W J	1	
	R59	NRSA63J-0R0X	MG RESISTOR	0Ω 1/10W J	1	
	R63	NRSA6AJ-105W	MG RESISTOR	1MΩ 1/16W J	1	
	R68	NRSA63J-474X	MG RESISTOR	470kΩ 1/16W J	1	
	R69	NRSA63J-474X	MG RESISTOR	470kΩ 1/16W J	1	
	R80	NRSA6AJ-101W	MG RESISTOR	100Ω 1/16W J	1	
	R81	NRSA6AJ-101W	MG RESISTOR	100Ω 1/16W J	1	
	R100	NRSA6AJ-0R0W	MG RESISTOR	0Ω 1/16W J	1	
	R101	NRSA6AJ-473W	MG RESISTOR	47kΩ 1/16W J	1	
	R102	NRSA6AJ-0R0W	MG RESISTOR	0Ω 1/16W J	1	
	R110	NRSA6AJ-0R0W	MG RESISTOR	0Ω 1/16W J	1	
	R111	NRSA6AJ-473W	MG RESISTOR	47kΩ 1/16W J	1	
	R112	NRSA63J-471X	MG RESISTOR	470Ω 1/16W J	1	
	R161	NRSA63J-103X	MG RESISTOR	10kΩ 1/16W J	1	
	R162	NRSA63J-0R0X	MG RESISTOR	0Ω 1/10W J	1	
	R163	NRSA63J-101X	MG RESISTOR	100Ω 1/16W J	1	
	R165	NRSA63J-101X	MG RESISTOR	100Ω 1/16W J	1	
	R167	NRSA63J-222X	MG RESISTOR	2.2kΩ 1/16W J	1	
	R168	NRSA6AJ-0R0W	MG RESISTOR	0Ω 1/16W J	1	
	R169	NRSA6AJ-0R0W	MG RESISTOR	0Ω 1/16W J	1	
	R170	NRSA6AJ-0R0W	MG RESISTOR	0Ω 1/16W J	1	
	R171	NRSA63J-0R0X	MG RESISTOR	0Ω 1/10W J	1	
	R173	NRS181J-0R0X	MG RESISTOR	0Ω 1/8W J	1	
	R175	NRSA6AJ-0R0W	MG RESISTOR	0Ω 1/16W J	1	
	R251	NRSA6AJ-472W	MG RESISTOR	4.7kΩ 1/16W J	1	
	R252	NRSA6AJ-472W	MG RESISTOR	4.7kΩ 1/16W J	1	
	R253	NRSA63J-331X	MG RESISTOR	330Ω 1/16W J	1	
	R254	NRSA63J-331X	MG RESISTOR	330Ω 1/16W J	1	
	R255	NRSA63J-223X	MG RESISTOR	22kΩ 1/16W J	1	
	R256	NRSA63J-223X	MG RESISTOR	22kΩ 1/16W J	1	
	R257	NRSA63J-181X	MG RESISTOR	180Ω 1/16W J	1	
	R258	NRSA63J-181X	MG RESISTOR	180Ω 1/16W J	1	
	R259	NRSA6AJ-0R0W	MG RESISTOR	0Ω 1/16W J	1	
	R260	NRSA6AJ-0R0W	MG RESISTOR	0Ω 1/16W J	1	
	R301	NRSA6AJ-473W	MG RESISTOR	47kΩ 1/16W J	1	
	R302	NRSA6AJ-473W	MG RESISTOR	47kΩ 1/16W J	1	
	R304	NRSA6AJ-0R0W	MG RESISTOR	0Ω 1/16W J	1	
	R307	NRSA63J-0R0X	MG RESISTOR	0Ω 1/10W J	1	
	R308	NRSA6AJ-0R0W	MG RESISTOR	0Ω 1/16W J	1	
	R310	NRS181J-100X	MG RESISTOR	10Ω 1/8W J	1	
	R311	NRSA63J-102X	MG RESISTOR	1kΩ 1/16W J	1	
	R312	NRSA63J-102X	MG RESISTOR	1kΩ 1/16W J	1	
	R313	NRSA63J-102X	MG RESISTOR	1kΩ 1/16W J	1	
	R314	NRSA63J-102X	MG RESISTOR	1kΩ 1/16W J	1	
	R315	NRSA63J-0R0X	MG RESISTOR	0Ω 1/10W J	1	
	R316	NRSA63J-0R0X	MG RESISTOR	0Ω 1/10W J	1	
	R317	NRSA63J-0R0X	MG RESISTOR	0Ω 1/10W J	1	
	R318	NRSA6AJ-0R0W	MG RESISTOR	0Ω 1/16W J	1	
	R320	NRSA63J-331X	MG RESISTOR	330Ω 1/16W J	1	
	R321	NRSA63J-223X	MG RESISTOR	22kΩ 1/16W J	1	
	R322	NRSA63J-181X	MG RESISTOR	180Ω 1/16W J	1	
	R323	NRSA6AJ-0R0W	MG RESISTOR	0Ω 1/16W J	1	
	R324	NRSA6AJ-0R0W	MG RESISTOR	0Ω 1/16W J	1	
	R326	NRSA6AJ-0R0W	MG RESISTOR	0Ω 1/16W J	1	
	R328	NRSA63J-0R0X	MG RESISTOR	0Ω 1/10W J	1	
	R330	NRSA63J-331X	MG RESISTOR	330Ω 1/16W J	1	
	R331	NRSA63J-223X	MG RESISTOR	22kΩ 1/16W J	1	
	R332	NRSA63J-181X	MG RESISTOR	180Ω 1/16W J	1	
	R333	NRSA6AJ-0R0W	MG RESISTOR	0Ω 1/16W J	1	
	R340	NRSA63J-331X	MG RESISTOR	330Ω 1/16W J	1	
	R341	NRSA63J-223X	MG RESISTOR	22kΩ 1/16W J	1	
	R342	NRSA63J-181X	MG RESISTOR	180Ω 1/16W J	1	
	R343	NRSA63J-0R0X	MG RESISTOR	0Ω 1/10W J	1	
	R347	NRSA6AJ-472W	MG RESISTOR	4.7kΩ 1/16W J	1	
	R349	NRSA6AJ-472W	MG RESISTOR	4.7kΩ 1/16W J	1	
	R350	NRSA63J-331X	MG RESISTOR	330Ω 1/16W J	1	
	R351	NRSA63J-223X	MG RESISTOR	22kΩ 1/16W J	1	
	R352	NRSA63J-181X	MG RESISTOR	180Ω 1/16W J	1	
	R353	NRSA63J-0R0X	MG RESISTOR	0Ω 1/10W J	1	
	R357	NRSA6AJ-472W	MG RESISTOR	4.7kΩ 1/16W J	1	
	R358	NRSA63J-472X	MG RESISTOR	4.7kΩ 1/16W J	1	
	R400	NRSA63J-0R0X	MG RESISTOR	0Ω 1/10W J	1	
	R401	NRSA63J-0R0X	MG RESISTOR	0Ω 1/10W J	1	
	R402	NRSA63J-0R0X	MG RESISTOR	0Ω 1/10W J	1	
	R409	NRSA63J-102X	MG RESISTOR	1kΩ 1/16W J	1	

MODEL	MARK
KDC-X596	

Safe	Symbol No.	Parts No.	Parts Name	Description	QTY	Local
	R410	NRSA63J-102X	MG RESISTOR	1kΩ 1/16W J	1	
	R411	NRSA63J-0R0X	MG RESISTOR	0Ω 1/10W J	1	
	R418	NRS181J-100X	MG RESISTOR	10Ω 1/8W J	1	
	R501	NRSA63J-114X	MG RESISTOR	110kΩ 1/16W J	1	
	R502	NRSA6AJ-101W	MG RESISTOR	100Ω 1/16W J	1	
	R503	NRSA6AJ-101W	MG RESISTOR	100Ω 1/16W J	1	
	R504	NRSA63J-274X	MG RESISTOR	270kΩ 1/16W J	1	
	R505	NRSA63J-104X	MG RESISTOR	100kΩ 1/16W J	1	
	R506	NRSA63J-303X	MG RESISTOR	30kΩ 1/16W J	1	
	R507	NRSA63J-563X	MG RESISTOR	56kΩ 1/16W J	1	
	R508	NRSA63J-0R0X	MG RESISTOR	0Ω 1/10W J	1	
	R509	NRSA63J-0R0X	MG RESISTOR	0Ω 1/10W J	1	
	R511	NRSA63J-133X	MG RESISTOR	13kΩ 1/16W J	1	
	R512	NRSA63J-0R0X	MG RESISTOR	0Ω 1/10W J	1	
	R513	NRS181J-0R0X	MG RESISTOR	0Ω 1/8W J	1	
	R516	NRSA63J-333X	MG RESISTOR	33kΩ 1/16W J	1	
	R517	NRSA63J-473X	MG RESISTOR	47kΩ 1/16W J	1	
	R519	NRSA6AJ-333W	MG RESISTOR	33kΩ 1/16W J	1	
	R520	NRSA63J-473X	MG RESISTOR	47kΩ 1/16W J	1	
	R530	NRSA6AJ-0R0W	MG RESISTOR	0Ω 1/16W J	1	
	R537	NRSA63J-300X	MG RESISTOR	30Ω 1/16W J	1	
	R540	NRSA63J-221X	MG RESISTOR	220Ω 1/16W J	1	
	R541	NRSA6AJ-0R0W	MG RESISTOR	0Ω 1/16W J	1	
	R542	NRSA63J-0R0X	MG RESISTOR	0Ω 1/10W J	1	
	R543	NRSA6AJ-0R0W	MG RESISTOR	0Ω 1/16W J	1	
	R545	NRSA63J-225X	MG RESISTOR	2.2MΩ 1/16W J	1	
	R547	NRSA63J-4R7X	MG RESISTOR	4.7Ω 1/16W J	1	
	R548	NRSA63J-104X	MG RESISTOR	100kΩ 1/16W J	1	
	R549	NRSA63J-102X	MG RESISTOR	1kΩ 1/16W J	1	
	R550	NRSA6AJ-472W	MG RESISTOR	4.7kΩ 1/16W J	1	
	R551	NRSA63J-0R0X	MG RESISTOR	0Ω 1/10W J	1	
	R552	NRSA63J-0R0X	MG RESISTOR	0Ω 1/10W J	1	
	R553	NRSA63J-473X	MG RESISTOR	47kΩ 1/16W J	1	
	R554	NRSA63J-4R7X	MG RESISTOR	4.7Ω 1/16W J	1	
	R555	NRSA63J-4R7X	MG RESISTOR	4.7Ω 1/16W J	1	
	R556	NRSA63J-0R0X	MG RESISTOR	0Ω 1/10W J	1	
	R557	NRSA63J-471X	MG RESISTOR	470Ω 1/16W J	1	
	R558	NRSA63J-105X	MG RESISTOR	1MΩ 1/16W J	1	
	R559	NRSA63J-101X	MG RESISTOR	100Ω 1/16W J	1	
	R560	NRSA63J-101X	MG RESISTOR	100Ω 1/16W J	1	
	R561	NRSA63J-101X	MG RESISTOR	100Ω 1/16W J	1	
	R562	NRSA63J-101X	MG RESISTOR	100Ω 1/16W J	1	
	R563	NRSA63J-101X	MG RESISTOR	100Ω 1/16W J	1	
	R564	NRSA63J-101X	MG RESISTOR	100Ω 1/16W J	1	
	R565	NRSA63J-103X	MG RESISTOR	10kΩ 1/16W J	1	
	R566	NRSA63J-103X	MG RESISTOR	10kΩ 1/16W J	1	
	R567	NRSA6AJ-101W	MG RESISTOR	100Ω 1/16W J	1	
	R568	NRSA6AJ-101W	MG RESISTOR	100Ω 1/16W J	1	
	R569	NRSA6AJ-101W	MG RESISTOR	100Ω 1/16W J	1	
	R570	NRSA6AJ-101W	MG RESISTOR	100Ω 1/16W J	1	
	R571	NRSA6AJ-103W	MG RESISTOR	10kΩ 1/16W J	1	
	R572	NRSA6AJ-104W	MG RESISTOR	100kΩ 1/16W J	1	
	R573	NRSA63J-334X	MG RESISTOR	330kΩ 1/16W J	1	
	R574	NRSA63J-153X	MG RESISTOR	15kΩ 1/16W J	1	
	R575	NRS181J-332X	MG RESISTOR	3.3kΩ 1/8W J	1	
	R576	NRSA63J-103X	MG RESISTOR	10kΩ 1/16W J	1	
	R577	NRSA63J-103X	MG RESISTOR	10kΩ 1/16W J	1	
	R580	NRSA6AJ-102W	MG RESISTOR	1kΩ 1/16W J	1	
	R586	NRSA6AJ-102W	MG RESISTOR	1kΩ 1/16W J	1	
	R595	NRSA6AJ-0R0W	MG RESISTOR	0Ω 1/16W J	1	
	R596	NRSA6AJ-0R0W	MG RESISTOR	0Ω 1/16W J	1	
	R600	NRS181J-0R0X	MG RESISTOR	0Ω 1/8W J	1	
	R698	NRSA63J-103X	MG RESISTOR	10kΩ 1/16W J	1	
	R699	NRSA6AJ-103W	MG RESISTOR	10kΩ 1/16W J	1	
	R700	NRSA63J-0R0X	MG RESISTOR	0Ω 1/10W J	1	
	R701	NRSA63J-472X	MG RESISTOR	4.7kΩ 1/16W J	1	
	R702	NRSA63J-222X	MG RESISTOR	2.2kΩ 1/16W J	1	
	R703	NRSA63J-101X	MG RESISTOR	100Ω 1/16W J	1	
	R704	NRSA63J-101X	MG RESISTOR	100Ω 1/16W J	1	
	R706	NRSA63J-101X	MG RESISTOR	100Ω 1/16W J	1	
	R707	NRSA6AJ-101W	MG RESISTOR	100Ω 1/16W J	1	
	R708	NRSA63J-101X	MG RESISTOR	100Ω 1/16W J	1	
	R709	NRSA6AJ-101W	MG RESISTOR	100Ω 1/16W J	1	
	R710	NRSA6AJ-101W	MG RESISTOR	100Ω 1/16W J	1	
	R711	NRSA63J-101X	MG RESISTOR	100Ω 1/16W J	1	
	R712	NRSA6AJ-101W	MG RESISTOR	100Ω 1/16W J	1	
	R713	NRSA63J-101X	MG RESISTOR	100Ω 1/16W J	1	
	R714	NRSA6AJ-101W	MG RESISTOR	100Ω 1/16W J	1	
	R715	NRSA63J-101X	MG RESISTOR	100Ω 1/16W J	1	
	R716	NRSA6AJ-101W	MG RESISTOR	100Ω 1/16W J	1	
	R717	NRSA6AJ-101W	MG RESISTOR	100Ω 1/16W J	1	
	R718	NRSA63J-473X	MG RESISTOR	47kΩ 1/16W J	1	
	R719	NRSA63J-473X	MG RESISTOR	47kΩ 1/16W J	1	
	R720	NRSA63J-473X	MG RESISTOR	47kΩ 1/16W J	1	
	R721	NRSA6AJ-105W	MG RESISTOR	1MΩ 1/16W J	1	
	R722	NRSA63J-473X	MG RESISTOR	47kΩ 1/16W J	1	
	R723	NRSA6AJ-473W	MG RESISTOR	47kΩ 1/16W J	1	
	R725	NRSA63J-473X	MG RESISTOR	47kΩ 1/16W J	1	
	R726	NRSA6AJ-473W	MG RESISTOR	47kΩ 1/16W J	1	
	R727	NRSA63J-473X	MG RESISTOR	47kΩ 1/16W J	1	
	R728	NRSA63J-473X	MG RESISTOR	47kΩ 1/16W J	1	
	R730	NRSA6AJ-473W	MG RESISTOR	47kΩ 1/16W J	1	
	R731	NRSA6AJ-473W	MG RESISTOR	47kΩ 1/16W J	1	

MODEL	MARK
KDC-X596	

Safe	Symbol No.	Parts No.	Parts Name	Description	QTY	Local
	R732	NRSA63J-472X	MG RESISTOR	4.7kΩ 1/16W J	1	
	R733	NRSA63J-473X	MG RESISTOR	47kΩ 1/16W J	1	
	R735	NRSA63J-473X	MG RESISTOR	47kΩ 1/16W J	1	
	R736	NRSA6AJ-473W	MG RESISTOR	47kΩ 1/16W J	1	
	R737	NRSA63J-101X	MG RESISTOR	100Ω 1/16W J	1	
	R738	NRSA6AJ-222W	MG RESISTOR	2.2kΩ 1/16W J	1	
	R739	NRSA6AJ-103W	MG RESISTOR	10kΩ 1/16W J	1	
	R740	NRSA6AJ-103W	MG RESISTOR	10kΩ 1/16W J	1	
	R741	NRSA63J-103X	MG RESISTOR	10kΩ 1/16W J	1	
	R742	NRSA6AJ-473W	MG RESISTOR	47kΩ 1/16W J	1	
	R743	NRSA63J-473X	MG RESISTOR	47kΩ 1/16W J	1	
	R745	NRSA6AJ-101W	MG RESISTOR	100Ω 1/16W J	1	
	R746	NRSA63J-473X	MG RESISTOR	47kΩ 1/16W J	1	
	R747	NRSA6AJ-243W	MG RESISTOR	24kΩ 1/16W J	1	
	R748	NRSA63J-473X	MG RESISTOR	47kΩ 1/16W J	1	
	R749	NRSA6AJ-332W	MG RESISTOR	3.3kΩ 1/16W J	1	
	R750	NRSA63J-332X	MG RESISTOR	3.3kΩ 1/16W J	1	
	R751	NRSA6AJ-223W	MG RESISTOR	22kΩ 1/16W J	1	
	R752	NRSA63J-223X	MG RESISTOR	22kΩ 1/16W J	1	
	R753	NRSA63J-332X	MG RESISTOR	3.3kΩ 1/16W J	1	
	R754	NRSA63J-332X	MG RESISTOR	3.3kΩ 1/16W J	1	
	R755	NRSA63J-473X	MG RESISTOR	47kΩ 1/16W J	1	
	R756	NRSA63J-473X	MG RESISTOR	47kΩ 1/16W J	1	
	R757	NRSA6AJ-104W	MG RESISTOR	100kΩ 1/16W J	1	
	R758	NRSA6AJ-104W	MG RESISTOR	100kΩ 1/16W J	1	
	R759	NRSA6AJ-473W	MG RESISTOR	47kΩ 1/16W J	1	
	R760	NRSA6AJ-821W	MG RESISTOR	820Ω 1/16W J	1	
	R761	NRSA63J-101X	MG RESISTOR	100Ω 1/16W J	1	
	R763	NRSA6AJ-473W	MG RESISTOR	47kΩ 1/16W J	1	
	R765	NRSA63J-393X	MG RESISTOR	39kΩ 1/16W J	1	
	R766	NRSA63J-473X	MG RESISTOR	47kΩ 1/16W J	1	
	R767	NRSA63J-822X	MG RESISTOR	8.2kΩ 1/16W J	1	
	R768	NRSA6AJ-473W	MG RESISTOR	47kΩ 1/16W J	1	
	R769	NRSA6AJ-473W	MG RESISTOR	47kΩ 1/16W J	1	
	R770	NRSA63J-0R0X	MG RESISTOR	0Ω 1/10W J	1	
	R771	NRSA63D-472X	MG RESISTOR	4.7kΩ 1/16W D	1	
	R772	NRSA6AJ-472W	MG RESISTOR	4.7kΩ 1/16W J	1	
	R773	NRSA63D-472X	MG RESISTOR	4.7kΩ 1/16W D	1	
	R774	NRSA63J-472X	MG RESISTOR	4.7kΩ 1/16W J	1	
	R775	NRSA63J-153X	MG RESISTOR	15kΩ 1/16W J	1	
	R776	NRSA63J-153X	MG RESISTOR	15kΩ 1/16W J	1	
	R777	NRSA63J-102X	MG RESISTOR	1kΩ 1/16W J	1	
	R778	NRSA6AJ-271W	MG RESISTOR	270Ω 1/16W J	1	
	R779	NRSA63J-271X	MG RESISTOR	270Ω 1/16W J	1	
	R780	NRSA6AJ-473W	MG RESISTOR	47kΩ 1/16W J	1	
	R781	NRSA6AJ-331W	MG RESISTOR	330Ω 1/16W J	1	
	R782	NRSA63J-104X	MG RESISTOR	100kΩ 1/16W J	1	
	R783	NRSA63J-103X	MG RESISTOR	10kΩ 1/16W J	1	
	R785	NRSA6AJ-273W	MG RESISTOR	27kΩ 1/16W J	1	
	R787	NRSA63J-0R0X	MG RESISTOR	0Ω 1/10W J	1	
	R790	NRSA6AJ-101W	MG RESISTOR	100Ω 1/16W J	1	
	R791	NRSA63J-472X	MG RESISTOR	4.7kΩ 1/16W J	1	
	R792	NRSA6AJ-103W	MG RESISTOR	10kΩ 1/16W J	1	
	R798	NRSA63J-270X	MG RESISTOR	27Ω 1/16W J	1	
	R799	NRSA63J-270X	MG RESISTOR	27Ω 1/16W J	1	
	R801	NRSA63J-0R0X	MG RESISTOR	0Ω 1/10W J	1	
	R891	NRSA63J-103X	MG RESISTOR	10kΩ 1/16W J	1	
	R892	NRSA63J-683X	MG RESISTOR	68kΩ 1/16W J	1	
	R893	NRSA63J-123X	MG RESISTOR	12kΩ 1/16W J	1	
	R894	NRSA63J-0R0X	MG RESISTOR	0Ω 1/10W J	1	
	R901	NRSA63J-103X	MG RESISTOR	10kΩ 1/16W J	1	
	R902	NRS181J-682X	MG RESISTOR	6.8kΩ 1/8W J	1	
	R903	NRS181J-682X	MG RESISTOR	6.8kΩ 1/8W J	1	
	R906	NRSA63J-562X	MG RESISTOR	5.6kΩ 1/16W J	1	
	R907	NRSA63J-155X	MG RESISTOR	1.5MΩ 1/16W J	1	
	R908	NRSA63D-472X	MG RESISTOR	4.7kΩ 1/16W D	1	
	R909	NRSA63D-273X	MG RESISTOR	27kΩ 1/16W D	1	
	R912	NRS181J-0R0X	MG RESISTOR	0Ω 1/8W J	1	
	R914	NRSA6AJ-0R0W	MG RESISTOR	0Ω 1/16W J	1	
	R915	NRS181J-0R0X	MG RESISTOR	0Ω 1/8W J	1	
	R928	NRSA63J-0R0X	MG RESISTOR	0Ω 1/10W J	1	
	R933	NRS124J-100X	MG RESISTOR	10Ω 1/2W J	1	
	R934	NRS124J-100X	MG RESISTOR	10Ω 1/2W J	1	
	R935	NRS124J-100X	MG RESISTOR	10Ω 1/2W J	1	
	R937	NRS124J-100X	MG RESISTOR	10Ω 1/2W J	1	
	R938	NRS124J-100X	MG RESISTOR	10Ω 1/2W J	1	
	R939	NRS124J-100X	MG RESISTOR	10Ω 1/2W J	1	
	R941	NRS181J-472X	MG RESISTOR	4.7kΩ 1/8W J	1	
	R950	NRSA63J-101X	MG RESISTOR	100Ω 1/16W J	1	
	R951	NRSA63J-102X	MG RESISTOR	1kΩ 1/16W J	1	
	R952	NRSA63J-331X	MG RESISTOR	330Ω 1/16W J	1	
	R954	NRSA63J-103X	MG RESISTOR	10kΩ 1/16W J	1	
	R955	NRSA63J-103X	MG RESISTOR	10kΩ 1/16W J	1	
	R961	NRSA63J-0R0X	MG RESISTOR	0Ω 1/10W J	1	
	R963	NRSA63J-0R0X	MG RESISTOR	0Ω 1/10W J	1	
	R970	NRSA63J-473X	MG RESISTOR	47kΩ 1/16W J	1	
	R971	NRSA63J-103X	MG RESISTOR	10kΩ 1/16W J	1	
	R972	NRSA63J-103X	MG RESISTOR	10kΩ 1/16W J	1	
	R973	NRSA63J-203X	MG RESISTOR	20kΩ 1/16W J	1	
	R974	NRSA6AJ-473W	MG RESISTOR	47kΩ 1/16W J	1	
	R975	NRSA63J-473X	MG RESISTOR	47kΩ 1/16W J	1	
	R976	NRSA63J-683X	MG RESISTOR	68kΩ 1/16W J	1	

MODEL	MARK
KDC-X596	

Safe	Symbol No.	Parts No.	Parts Name	Description	QTY	Local
	R983	NRSA63J-472X	MG RESISTOR	4.7kΩ 1/16W J	1	
	R986	NRSA63D-273X	MG RESISTOR	27kΩ 1/16W D	1	
	R987	NRSA63D-114X	MG RESISTOR	110kΩ 1/16W D	1	
	R989	NRSA63D-913X	MG RESISTOR	91kΩ 1/16W D	1	
	L1	NQLK15J-R15X	COIL	0.15uH J	1	
	L2	NQLK15J-R33X	COIL	0.33uH J	1	
	L3	NQL103J-10NX	COIL	10nH J	1	
	L5	NQL382M-470X	COIL	47uH M	1	
	L6	NQL114K-100X	PEAKING COIL	10uH K	1	
	L7	NQL093K-R47X	PEAKING COIL	0.47uH K	1	
	L8	NQL093K-1R8X	PEAKING COIL	1.8uH K	1	
	L9	NQL79GM-1R0X	COIL	1uH M	1	
	L10	NQL093K-R22X	PEAKING COIL	0.22uH K	1	
	L11	NQR0684-001X	FERRITE BEADS		1	
	L12	NQL103J-10NX	COIL	10nH J	1	
	L14	NQL79GM-1R0X	COIL	1uH M	1	
	L161	NQL553J-27NX	COIL	27nH J	1	
	L532	NQR0502-001X	FERRITE BEADS		1	
	L533	NQR0502-001X	FERRITE BEADS		1	
	L534	NQR0502-001X	FERRITE BEADS		1	
	L701	NQL79GM-4R7X	COIL	4.7uH M	1	
	L702	NQR0502-001X	FERRITE BEADS		1	
	L703	NQR0502-001X	FERRITE BEADS		1	
	L901	QQR1882-001	CHOKE COIL		1	
	L902	NQL79GM-101X	COIL	100uH M	1	
	L962	NQLH25M-4R7X	COIL	4.7uH M	1	
	L981	QQLA1AM-220	COIL	22uH M	1	
	L982	NQLH25M-4R7X	COIL	4.7uH M	1	
	CN502	QGF1049F-126X	CONNECTOR	FFC/FPC (1-26)	1	
	CN701	QGZ1102J1-20	CONNECTOR	(1-20)	1	
	CN901	QNZ0607-001	CAR CONNECTOR		1	
△	F902	NMFZ018-2R0X-E	FUSE	2A	1	
	F904	QAD0184-1R0Z	P THERMISTOR	1Ω	1	
	J1	QNB0190-001	ANT TERMINAL		1	
	J321	QNN0866-001	PIN JACK		1	
	S701	QSW0648-001Z	TACT SWITCH		1	
	X1	NAX1117-001X	CRYSTAL		1	
	X540	QAX0929-001Z	C RESONATOR		1	
	X701	QAX0966-001Z	CRYSTAL		1	
	X702	QAX0401-001	CRYSTAL	32.768KHz	1	
HD PROCESSOR UNIT (A590 IN X34-UNIT) <A590>						
△	IC101	STA680Q	MOS-IC		1	
△	IC151	GEU03533-01A	SV-ROM IC		1	
△	IC191	M12L1281687TG2	SV-DRAM IC		1	
	C101	CK73GB1C105K	CHIP C	1.0uF K	1	
	C102	CK73GB1H471K	CHIP C	470pF K	1	
	C103	CK73GB1C104K	CHIP C	0.10uF K	1	
	C104	CK73GB1C104K	CHIP C	0.10uF K	1	
	C105	CK73GB1C104K	CHIP C	0.10uF K	1	
	C106	CK73GB1C104K	CHIP C	0.10uF K	1	
	C107	CK73GB1C104K	CHIP C	0.10uF K	1	
	C108	CK73GB1C104K	CHIP C	0.10uF K	1	
	C109	CK73GB1C104K	CHIP C	0.10uF K	1	
	C110	CK73GB1C104K	CHIP C	0.10uF K	1	
	C111	CK73GB1C104K	CHIP C	0.10uF K	1	
	C112	CK73GB1C104K	CHIP C	0.10uF K	1	
	C113	CK73GB1C104K	CHIP C	0.10uF K	1	
	C114	CK73GB1C104K	CHIP C	0.10uF K	1	
	C115	CK73GB1C104K	CHIP C	0.10uF K	1	
	C116	CK73GB1C104K	CHIP C	0.10uF K	1	
	C117	CK73FB0J106K	CHIP C	10uF K	1	
	C118	CK73FB0J106K	CHIP C	10uF K	1	
	C119	CK73GB1C104K	CHIP C	0.10uF K	1	
	C120	CK73GB1C104K	CHIP C	0.10uF K	1	
	C121	CK73GB1C104K	CHIP C	0.10uF K	1	
	C122	CK73GB1C104K	CHIP C	0.10uF K	1	
	C124	CK73GB1C104K	CHIP C	0.10uF K	1	
	C125	CK73GB1C104K	CHIP C	0.10uF K	1	
	C126	CK73GB1C104K	CHIP C	0.10uF K	1	
	C127	CK73GB1C104K	CHIP C	0.10uF K	1	
	C128	CK73GB1C104K	CHIP C	0.10uF K	1	
	C129	CK73GB1C104K	CHIP C	0.10uF K	1	
	C130	CK73GB1C104K	CHIP C	0.10uF K	1	
	C131	CK73GB1C104K	CHIP C	0.10uF K	1	
	C132	CK73GB1C104K	CHIP C	0.10uF K	1	
	C133	CK73GB1C104K	CHIP C	0.10uF K	1	
	C134	CK73GB1C104K	CHIP C	0.10uF K	1	
	C135	CK73GB1C104K	CHIP C	0.10uF K	1	
	C136	CC73GCH1H030C	CHIP C	3.0pF C	1	
	C137	CC73GCH1H040C	CHIP C	4.0pF C	1	
	C138	CK73FB0J106K	CHIP C	10uF K	1	
	C144	CC73GCH1H680J	CHIP C	68pF J	1	
	C145	CC73GCH1H680J	CHIP C	68pF J	1	
	C146	CC73GCH1H680J	CHIP C	68pF J	1	
	C147	CK73GB1C104K	CHIP C	0.10uF K	1	
	C150	CK73GB1C104K	CHIP C	0.10uF K	1	
	C151	CK73GB1C104K	CHIP C	0.10uF K	1	
	C152	CK73GB1C104K	CHIP C	0.10uF K	1	
	C153	CK73GB1C104K	CHIP C	0.10uF K	1	
	C154	CK73GB1C104K	CHIP C	0.10uF K	1	
	C155	CK73GB1C104K	CHIP C	0.10uF K	1	
	C156	CK73GB1C104K	CHIP C	0.10uF K	1	

MODEL	MARK
KDC-X596	

Safe	Symbol No.	Parts No.	Parts Name	Description	QTY	Local
	R104	RK73GB2A470J	CHIP R	47Ω J 1/10W	1	
	R105	RK73GB2A470J	CHIP R	47Ω J 1/10W	1	
	R106	RK73GB2A471J	CHIP R	470Ω J 1/10W	1	
	R108	RK73GB2A470J	CHIP R	47Ω J 1/10W	1	
	R109	RK73GB2A470J	CHIP R	47Ω J 1/10W	1	
	R110	RK73GB2A103J	CHIP R	10kΩ J 1/10W	1	
	R111	RK73GB2A103J	CHIP R	10kΩ J 1/10W	1	
	R112	RK73GB2A103J	CHIP R	10kΩ J 1/10W	1	
	R113	RK73GB2A750J	CHIP R	75Ω J 1/10W	1	
	R114	RK73GB2A102J	CHIP R	1.0kΩ J 1/10W	1	
	R115	RK73GB2A270J	CHIP R	27Ω J 1/10W	1	
	R116	RK73GB2A470J	CHIP R	47Ω J 1/10W	1	
	R117	RK73GB2A103J	CHIP R	10kΩ J 1/10W	1	
	R118	RK73GB2A103J	CHIP R	10kΩ J 1/10W	1	
	R122	RK73GB2A000J	CHIP R	0.0Ω J 1/10W	1	
	RA101	RK74HB1J470J	CHIP-COM	47Ω J 1/16W	1	
	RA102	RK74HB1J470J	CHIP-COM	47Ω J 1/16W	1	
	RA103	RK74HB1J470J	CHIP-COM	47Ω J 1/16W	1	
	RA104	RK74HB1J470J	CHIP-COM	47Ω J 1/16W	1	
	RA105	RK74HB1J470J	CHIP-COM	47Ω J 1/16W	1	
	RA106	RK74HB1J470J	CHIP-COM	47Ω J 1/16W	1	
	RA107	RK74HB1J470J	CHIP-COM	47Ω J 1/16W	1	
	RA108	RK74HB1J470J	CHIP-COM	47Ω J 1/16W	1	
	RA109	RK74HB1J470J	CHIP-COM	47Ω J 1/16W	1	
	RA111	RK74HB1J470J	CHIP-COM	47Ω J 1/16W	1	
	RA112	RK74HB1J470J	CHIP-COM	47Ω J 1/16W	1	
	RA113	RK74HB1J470J	CHIP-COM	47Ω J 1/16W	1	
	L101	L40-1891-86	SMALL FIXED INDUCTOR		1	
	L102	L40-1891-86	SMALL FIXED INDUCTOR		1	
	CN101	E41-3220-08	FLAT CABLE CONNECTOR		1	
	CN102	E41-3221-08	PIN ASSY		1	
	X101	NAX1116-001X	CRYSTAL		1	
SWITCH UNIT (X16-7220-12) <X16>						
	IC601	PCA9633DP1-X	INTEGRATED CIRCUIT(MOS-IC)		1	
	IC602	KSM-2003TN5B	IR SENSOR		1	
	IC603	RT9715EGB-X	INTEGRATED CIRCUIT(MOS-IC)		1	
	Q601	LTA014EUB-X	DIGI TRANSISTOR		1	
	Q602	LTA014EUB-X	DIGI TRANSISTOR		1	
	Q603	LTA014EUB-X	DIGI TRANSISTOR		1	
	Q604	LTA014EUB-X	DIGI TRANSISTOR		1	
	Q605	LTC014EUB-X	DIGI TRANSISTOR		1	
	Q607	2SA2188/F-X	TRANSISTOR		1	
	Q608	LTC014EUB-X	DIGI TRANSISTOR		1	
	Q610	LSCR523UB-X	TRANSISTOR		1	
	Q611	LSCR523UB-X	TRANSISTOR		1	
	Q612	LSCR523UB-X	TRANSISTOR		1	
	D601	RKZ5.1B2KG-X	SB DIODE		1	
	D602	RKZ5.1B2KG-X	SB DIODE		1	
	D603	RKZ5.1B2KG-X	SB DIODE		1	
	D604	RKZ5.1B2KG-X	SB DIODE		1	
	D605	RKZ5.1B2KG-X	SB DIODE		1	
	D606	RKZ5.1B2KG-X	SB DIODE		1	
	D607	RKZ5.1B2KG-X	SB DIODE		1	
	D608	RKZ5.1B2KG-X	SB DIODE		1	
	D609	RKZ5.1B2KG-X	SB DIODE		1	
	D610	RKZ5.1B2KG-X	SB DIODE		1	
	D611	RKZ5.1B2KG-X	SB DIODE		1	
	D612	RKZ5.1B2KG-X	SB DIODE		1	
	D613	RKZ3.3B2KG-X	Z DIODE		1	
	D623	MBRX130-TP-X	SB DIODE		1	
	D651	CL-195SR-CD-X	LED		1	
	D652	SML-D12V8W-X	LED		1	
	D658	SMLE12WBCR1R2X	LED		1	
	D659	SMLE12WBCR1R2X	LED		1	
	D660	SMLE12WBCR1R2X	LED		1	
	D661	SMLE12WBCR1R2X	LED		1	
	D662	SMLE12WBCR1R2X	LED		1	
	D671	LRTBR98G-X	LED		1	
	D672	LRTBR98G-X	LED		1	
	D674	LRTBR98G-X	LED		1	
	D676	LRTBR98G-X	LED		1	
	D677	LRTBR98G-X	LED		1	
	D678	LRTBR98G-X	LED		1	
	C601	NCB31HK-472X	C CAPACITOR	4700pF 50V K	1	
	C602	NCB31HK-472X	C CAPACITOR	4700pF 50V K	1	
	C604	NCJ11EK-106X-R	C CAPACITOR	10uF 25V	1	
	C611	NCB31HK-102X	C CAPACITOR	1000pF 50V K	1	
	C612	NCB31HK-471X	C CAPACITOR	470pF 50V K	1	
	C614	NCB31HK-471X	C CAPACITOR	470pF 50V K	1	
	C615	NCB31HK-102X	C CAPACITOR	1000pF 50V K	1	
	C616	NCB31HK-104X	C CAPACITOR	0.1uF 50V K	1	
	C617	NCB31HK-104X	C CAPACITOR	0.1uF 50V K	1	
	C619	NCB31CK-105X	C CAPACITOR	1uF 16V K	1	
	C620	NCB31CK-105X	C CAPACITOR	1uF 16V K	1	
	C631	NDC31HJ-270X	C CAPACITOR	27pF 50V J	1	
	C632	NDC31HJ-270X	C CAPACITOR	27pF 50V J	1	
	C633	NCJ11EK-106X-R	C CAPACITOR	10uF 25V	1	

MODEL	MARK
KDC-X596	

Safe	Symbol No.	Parts No.	Parts Name	Description	QTY	Local	
	C641	NCB31HK-104X	C CAPACITOR	0.1uF 50V K	1		
	R609	NRSA63J-472X	MG RESISTOR	4.7kΩ 1/16W J	1		
	R610	NRSA63J-102X	MG RESISTOR	1kΩ 1/16W J	1		
	R611	NRSA63J-101X	MG RESISTOR	100Ω 1/16W J	1		
	R612	NRSA63J-101X	MG RESISTOR	100Ω 1/16W J	1		
	R613	NRSA63J-101X	MG RESISTOR	100Ω 1/16W J	1		
	R614	NRSA63J-101X	MG RESISTOR	100Ω 1/16W J	1		
	R615	NRSA63J-101X	MG RESISTOR	100Ω 1/16W J	1		
	R616	NRSA63J-473X	MG RESISTOR	47kΩ 1/16W J	1		
	R617	NRSA63J-101X	MG RESISTOR	100Ω 1/16W J	1		
	R618	NRSA63J-101X	MG RESISTOR	100Ω 1/16W J	1		
	R619	NRSA63J-101X	MG RESISTOR	100Ω 1/16W J	1		
	R620	NRSA63J-103X	MG RESISTOR	10kΩ 1/16W J	1		
	R621	NRSA63J-101X	MG RESISTOR	100Ω 1/16W J	1		
	R622	NRSA63J-101X	MG RESISTOR	100Ω 1/16W J	1		
	R623	NRSA63J-104X	MG RESISTOR	100kΩ 1/16W J	1		
	R624	NRSA63J-4R7X	MG RESISTOR	4.7Ω 1/16W J	1		
	R625	NRSA63J-473X	MG RESISTOR	47kΩ 1/16W J	1		
	R626	NRSA63J-473X	MG RESISTOR	47kΩ 1/16W J	1		
	R627	NRSA63J-473X	MG RESISTOR	47kΩ 1/16W J	1		
	R629	NRSA63J-103X	MG RESISTOR	10kΩ 1/16W J	1		
	R630	NRSA63J-272X	MG RESISTOR	2.7kΩ 1/16W J	1		
	R631	NRSA63J-272X	MG RESISTOR	2.7kΩ 1/16W J	1		
	R632	NRSA63J-272X	MG RESISTOR	2.7kΩ 1/16W J	1		
	R633	NRSA63J-103X	MG RESISTOR	10kΩ 1/16W J	1		
	R637	NRS181J-821X	MG RESISTOR	820Ω 1/8W J	1		
	R638	NRSA63J-822X	MG RESISTOR	8.2kΩ 1/16W J	1		
	R639	NRSA63J-332X	MG RESISTOR	3.3kΩ 1/16W J	1		
	R640	NRSA02J-2R0X	MG RESISTOR	2Ω 1/10W J	1		
	R641	NRSA63J-0R0X	MG RESISTOR	0Ω 1/10W J	1		
	R642	NRSA63J-0R0X	MG RESISTOR	0Ω 1/10W J	1		
	R643	NRSA02J-2R0X	MG RESISTOR	2Ω 1/10W J	1		
	R644	NRSA63J-0R0X	MG RESISTOR	0Ω 1/10W J	1		
	R645	NRSA63J-0R0X	MG RESISTOR	0Ω 1/10W J	1		
	R646	NRSA02J-2R0X	MG RESISTOR	2Ω 1/10W J	1		
	R647	NRSA02J-2R0X	MG RESISTOR	2Ω 1/10W J	1		
	R648	NRSA02J-2R0X	MG RESISTOR	2Ω 1/10W J	1		
	R649	NRSA02J-2R0X	MG RESISTOR	2Ω 1/10W J	1		
	R650	NRSA02J-1R8X	MG RESISTOR	1.8Ω 1/10W J	1		
	R651	NRSA02J-182X	MG RESISTOR	1.8kΩ 1/10W J	1		
	R653	NRSA02J-152X	MG RESISTOR	1.5kΩ 1/10W J	1		
	R654	NRSA02J-152X	MG RESISTOR	1.5kΩ 1/10W J	1		
	R655	NRSA02J-152X	MG RESISTOR	1.5kΩ 1/10W J	1		
	R657	NRSA02J-152X	MG RESISTOR	1.5kΩ 1/10W J	1		
	R662	NRSA02J-182X	MG RESISTOR	1.8kΩ 1/10W J	1		
	R664	NRSA02J-152X	MG RESISTOR	1.5kΩ 1/10W J	1		
	R666	NRSA02J-152X	MG RESISTOR	1.5kΩ 1/10W J	1		
	R670	NRSA63J-0R0X	MG RESISTOR	0Ω 1/10W J	1		
	R671	NRS181J-4R7X	MG RESISTOR	4.7Ω 1/8W J	1		
	R672	NRS181J-751X	MG RESISTOR	750Ω 1/8W J	1		
	R673	NRSA02J-751X	MG RESISTOR	750Ω 1/10W J	1		
	R674	NRSA02J-431X	MG RESISTOR	430Ω 1/10W J	1		
	R675	NRS181J-911X	MG RESISTOR	910Ω 1/8W J	1		
	R676	NRSA02J-122X	MG RESISTOR	1.2kΩ 1/10W J	1		
	R677	NRSA02J-122X	MG RESISTOR	1.2kΩ 1/10W J	1		
	R678	NRS181J-911X	MG RESISTOR	910Ω 1/8W J	1		
	R679	NRSA02J-122X	MG RESISTOR	1.2kΩ 1/10W J	1		
	R681	NRSA02J-751X	MG RESISTOR	750Ω 1/10W J	1		
	R682	NRS181J-751X	MG RESISTOR	750Ω 1/8W J	1		
	R683	NRSA02J-911X	MG RESISTOR	910Ω 1/10W J	1		
	R684	NRSA02J-911X	MG RESISTOR	910Ω 1/10W J	1		
	R685	NRSA63J-101X	MG RESISTOR	100Ω 1/16W J	1		
	R686	NRSA63J-101X	MG RESISTOR	100Ω 1/16W J	1		
	R698	NRSA63J-0R0X	MG RESISTOR	0Ω 1/10W J	1		
	R699	NRSA63J-0R0X	MG RESISTOR	0Ω 1/10W J	1		
	L601	NQR0007-002X	FERRITE BEADS		1		
	L602	NQR0007-002X	FERRITE BEADS		1		
	L603	NQR0007-002X	FERRITE BEADS		1		
	L604	NQR0022-005X	FERRITE BEADS		1		
	L605	NQR0499-001X	FERRITE BEADS		1		
	CN601	QGZ1102K2-20X	CONNECTOR	(1-20)	1		
	CN603	QNZ1076-001	USB CONNECTOR		1		
	EN601	QSW1288-001	ROTARY ENCODER		1		
	FL601	QLF0202-001	FL TUBE		1		
	J602	QNS0308-001	3.5 JACK		1		
	LF691	NQR0682-001X	CHOKO COIL		1		
	S611	NSW0246-001X	TACT SWITCH		1		
	S612	NSW0246-001X	TACT SWITCH		1		
	S613	NSW0246-001X	TACT SWITCH		1		
	S614	NSW0246-001X	TACT SWITCH		1		
	S615	NSW0246-001X	TACT SWITCH		1		
	CD PLAYER UNIT (X32-6530-00) IN CD MECHA <X32>						
	R1	NRSA63J-131X	MG RESISTOR	130Ω 1/16W J	1		
	B1	NRS181J-0R0X	MG RESISTOR	0Ω 1/8W J	1		
	CN101	QGF1044F2-26X	CONNECTOR	FFC/FPC (1-26)	1		
	CN102	QGF0522F3-15W	CONNECTOR	FFC/FPC (1-15)	1		
	SW1	S68-0157-05	PUSH SWITCH		1		
	SW2	S68-0157-05	PUSH SWITCH		1		
	SW3	S68-0157-05	PUSH SWITCH		1		
	SW4	S68-0157-05	PUSH SWITCH		1		