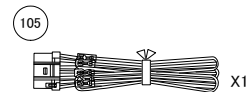
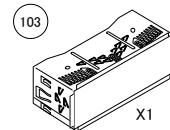
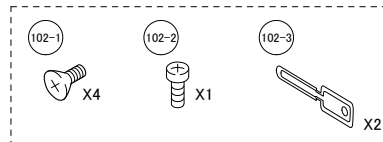
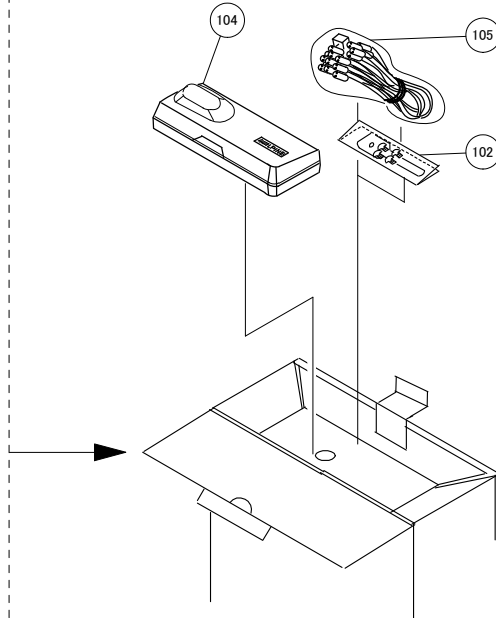
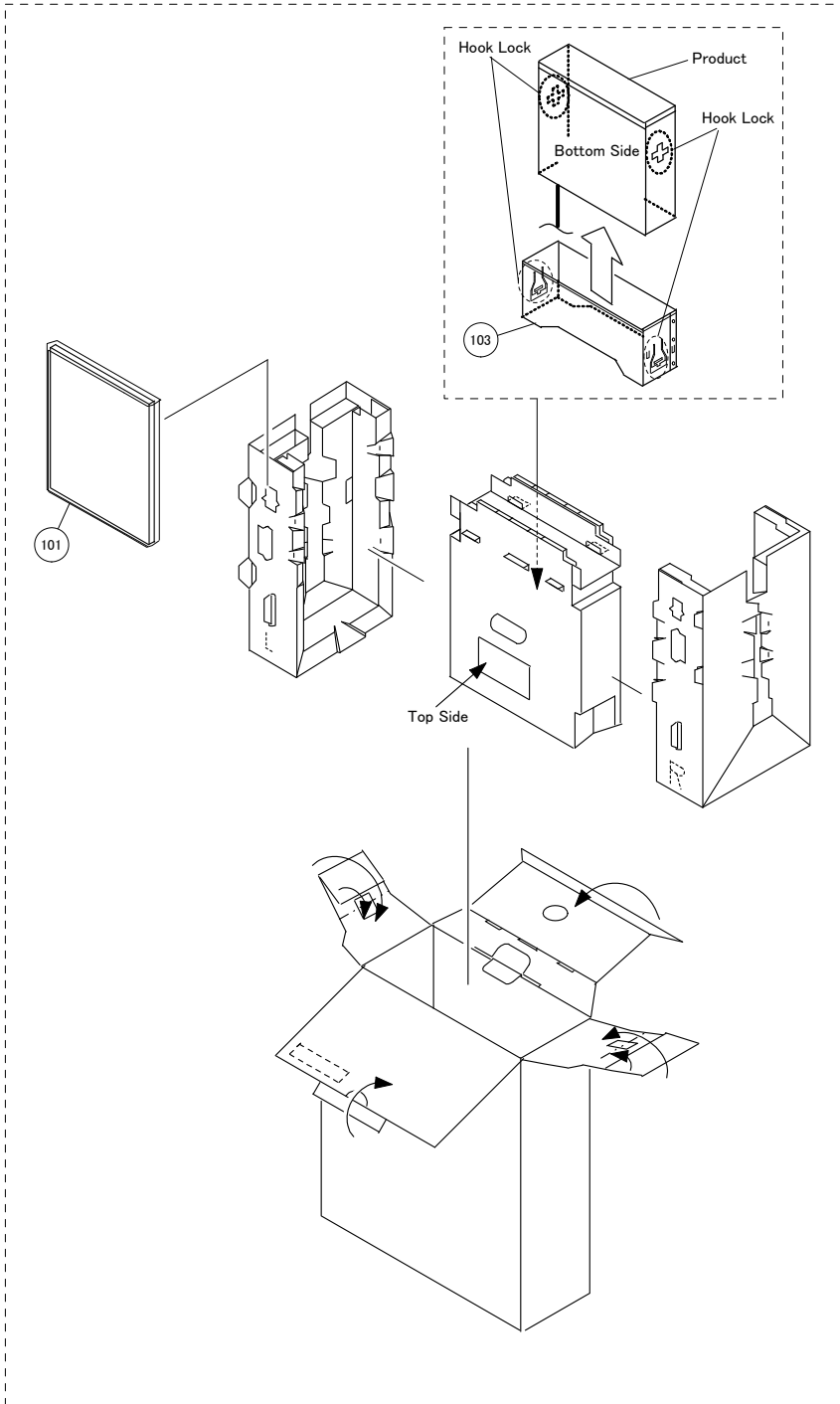
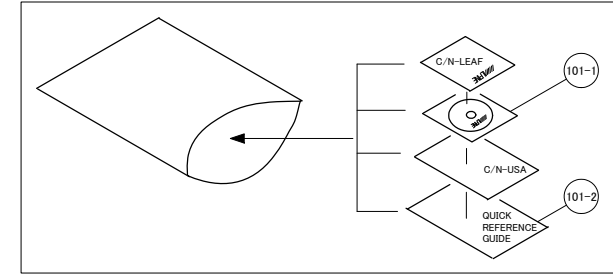


Packing Method View

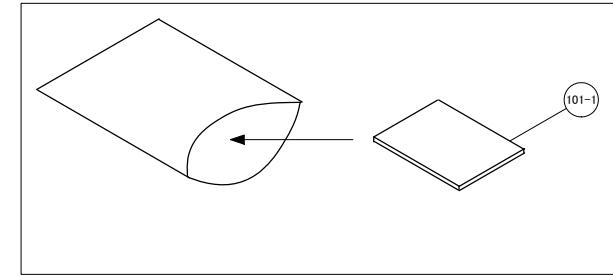


101

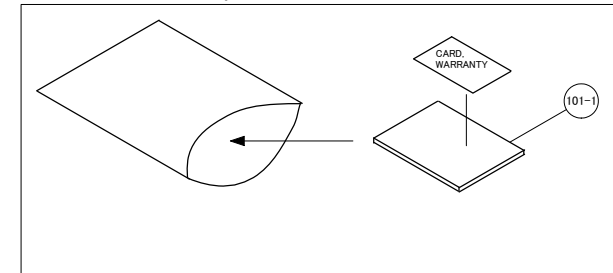
CDE-9872 Only



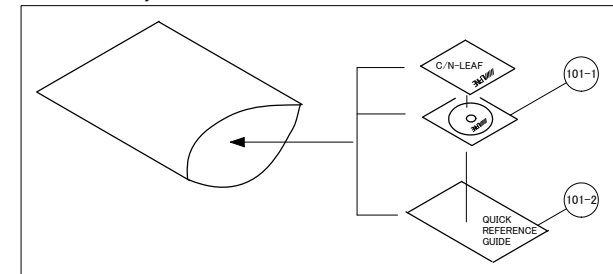
CDE-9872E (General Foreign) Only



CDE-9872E (Chinese) Only



CDE-9872L Only



MODEL	Symbol No.	Parts No.	Description
#1	101-1	68-10334Z03	O/M-CDROM BASIC1/2
\$1	101-1	68-09359Z38	O/M AAO AODN
%1	101-1	68-09359Z39	O/M AOCH AODN
&1	101-1	68-10334Z03	O/M-CDROM BASIC1/2
#1	101-2	68-09359Z53	C/N-QRG AOAM AODN
&1	101-2	68-09359Z55	C/N-QRG AOL AODN
	102-1	03S60820Y16	SCR,MCH 5X8 ZN A
	102-2	03S60824Y01	SCR,WEV 1.7X4 ZN A
	102-3	07-01964Z01	BKT,RELEASE
	103	15-01970Z01	CASE,INNER
	104	15D01798K04	CARRYING,CASE
#1	105	09-02256Z02	ASSY,ANIC-0008-02B
\$1	105	09-02256Z06	ASSY,ANIC-0008-06A
%1	105	09-02256Z06	ASSY,ANIC-0008-06A
&1	105	09-02256Z02	ASSY,ANIC-0008-02B

Mark Model Code

#1 CDE-9872 Only,

\$1 CDE-9872E (General Foreign) Only,

%1 CDE-9872E (Chinese) Only,

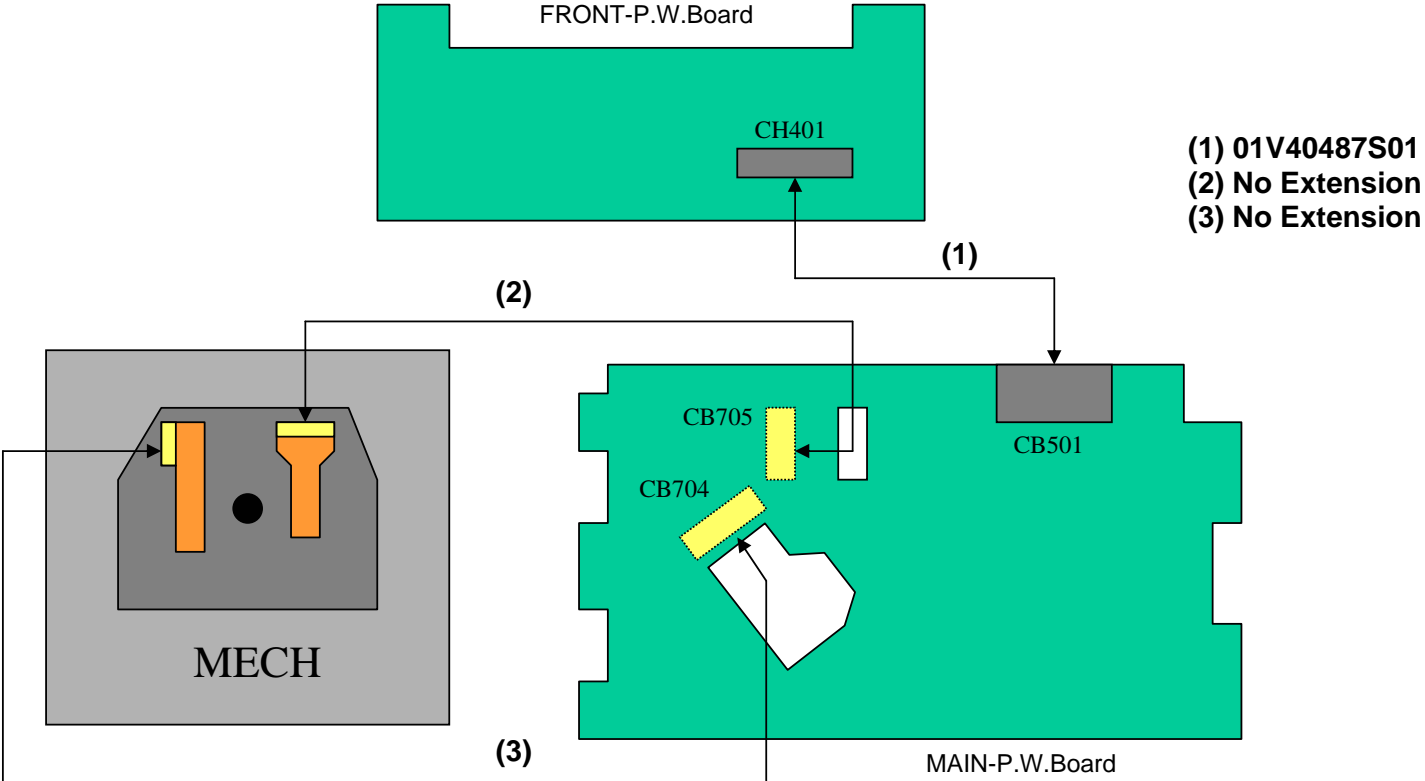
&1 CDE-9872L Only,


Others:Common.

NOTE:The part that has not PART NUMBER will not be supplied.

Extension Cable

*Always connect the Extension Cable when making checks of voltage and repair.



P.W.Board	MIS	MODEL	Ref.	Parts No.	Parts Name
MAIN-P.W.Board			ANT001	01T02127K08	ASSY,ANT CABLE 9805A
MAIN-P.W.Board			C001	08S45676W80	CAP,CER 223K-B1E -CP
MAIN-P.W.Board			C204	08S45677W60	CAP,CER 102J-CH1H-CP
MAIN-P.W.Board			C205	08S65676Y03	CAP,CER 225KX7R1C-CP
MAIN-P.W.Board			C207	08S45676W65	CAP,CER.222K-B1H -CP
MAIN-P.W.Board			C208	08S45676W65	CAP,CER.222K-B1H -CP
MAIN-P.W.Board			C209	08S45676W65	CAP,CER.222K-B1H -CP
MAIN-P.W.Board			C212	08S45676W70	CAP,CER 562K-B1H -CP
MAIN-P.W.Board			C301	08-02764Z03	CAP,TF 224K-1E -CP
MAIN-P.W.Board			C302	08-02764Z03	CAP,TF 224K-1E -CP
MAIN-P.W.Board			C303	08S45676W83	CAP,CER 473K-B1C -CP
MAIN-P.W.Board			C304	08-02764Z03	CAP,TF 224K-1E -CP
MAIN-P.W.Board			C305	08-02764Z03	CAP,TF 224K-1E -CP
MAIN-P.W.Board			C309	08T81833F07	CAP,CER 105K-B1C -CP
MAIN-P.W.Board			C500	08S45676W73	CAP,CER.103K-B1H -CP
MAIN-P.W.Board			C501	08S35349Y15	CAP,CER 474K-B1A -CP
MAIN-P.W.Board			C502	08S45676W85	CAP,CER 104K-B1C -CP
MAIN-P.W.Board			C503	08S45676W73	CAP,CER.103K-B1H -CP
MAIN-P.W.Board			C504	08S65667Y05	CAP,CER 105KX5R1A-CP
MAIN-P.W.Board			C505	08S45676W85	CAP,CER 104K-B1C -CP
MAIN-P.W.Board			C506	08S45676W70	CAP,CER 562K-B1H -CP
MAIN-P.W.Board			C507	08S45676W73	CAP,CER.103K-B1H -CP
MAIN-P.W.Board			C509	08S35350Y04	CAP,CER 105K-B1C -CP
MAIN-P.W.Board			C510	08S45676W85	CAP,CER 104K-B1C -CP
MAIN-P.W.Board			C511	08S45677W20	CAP,CER.22RJ-CH1H-CP
MAIN-P.W.Board			C512	08S45677W20	CAP,CER.22RJ-CH1H-CP
MAIN-P.W.Board			C513	08S45677W22	CAP,CER.27RJ-CH1H-CP
MAIN-P.W.Board			C514	08S45677W24	CAP,CER 33RJ-CH1H-CP
MAIN-P.W.Board			C515	08S45676W73	CAP,CER.103K-B1H -CP
MAIN-P.W.Board			C516	08S45676W85	CAP,CER 104K-B1C -CP
MAIN-P.W.Board			C517	08S45676W89	CAP,CER 473K-B1E -CP
MAIN-P.W.Board			C518	08S45676W80	CAP,CER 223K-B1E -CP
MAIN-P.W.Board			C519	08S45676W80	CAP,CER 223K-B1E -CP
MAIN-P.W.Board			C521	08S45676W70	CAP,CER 562K-B1H -CP
MAIN-P.W.Board			C604	08S65671Y01	CAP,CER 226KX5R1A-CP
MAIN-P.W.Board		\$1	C605	08S45676W80	CAP,CER 223K-B1E -CP
MAIN-P.W.Board		%1	C605	08S45676W80	CAP,CER 223K-B1E -CP
MAIN-P.W.Board			C701	08S45232Y17	CAP,CER 104K-B0J -CP
MAIN-P.W.Board			C704	08S45232Y17	CAP,CER 104K-B0J -CP
MAIN-P.W.Board			C705	08S45232Y17	CAP,CER 104K-B0J -CP
MAIN-P.W.Board			C706	08S35374W11	CAP,CER 475K-B0J -CP
MAIN-P.W.Board			C709	08S45232Y05	CAP,CER 102K-B1H -CP
MAIN-P.W.Board			C710	08S45232Y07	CAP,CER 222K-B1H -CP

Mark Model Code

#1 CDE-9872 Only,

\$1 CDE-9872E (General Foreign) Only,

%1 CDE-9872E (Chinese) Only,

&1 CDE-9872L Only,

Others:Common.

NOTE:The part that has not PART NUMBER will not be supplied.

P.W.Board	MIS	MODEL	Ref.	Parts No.	Parts Name
MAIN-P.W.Board			C711	08S45232Y07	CAP,CER 222K-B1H -CP
MAIN-P.W.Board			C712	08S45232Y07	CAP,CER 222K-B1H -CP
MAIN-P.W.Board			C715	08S65670Y01	CAP,CER 106KX5R1C-CP
MAIN-P.W.Board			C716	08S45232Y17	CAP,CER 104K-B0J -CP
MAIN-P.W.Board			C717	08S45232Y17	CAP,CER 104K-B0J -CP
MAIN-P.W.Board			C718	08S45232Y17	CAP,CER 104K-B0J -CP
MAIN-P.W.Board			C719	08S45676W91	CAP,CER 154K-B1A -CP
MAIN-P.W.Board			C720	08S45232Y13	CAP,CER 223K-B1C -CP
MAIN-P.W.Board			C721	08S45232Y08	CAP,CER 332K-B1H -CP
MAIN-P.W.Board			C722	08S35374W07	CAP,CER 334K-B1C -CP
MAIN-P.W.Board			C723	08S45232Y17	CAP,CER 104K-B0J -CP
MAIN-P.W.Board			C724	08S45232Y04	CAP,CER 681K-B1H -CP
MAIN-P.W.Board			C725	08S45232Y12	CAP,CER 153K-B1C -CP
MAIN-P.W.Board			C726	08S45232Y17	CAP,CER 104K-B0J -CP
MAIN-P.W.Board			C727	08S45232Y05	CAP,CER 102K-B1H -CP
MAIN-P.W.Board			C728	08S65668Y03	CAP,CER 823KX5R1A-CP
MAIN-P.W.Board			C729	08S35374W07	CAP,CER 334K-B1C -CP
MAIN-P.W.Board			C730	08S45232Y05	CAP,CER 102K-B1H -CP
MAIN-P.W.Board			C731	08S65668Y04	CAP,CER 104KX5R1A-CP
MAIN-P.W.Board			C732	08S45232Y17	CAP,CER 104K-B0J -CP
MAIN-P.W.Board			C733	08S45676W64	CAP,CER.182K-B1H -CP
MAIN-P.W.Board			C734	08S45676W64	CAP,CER.182K-B1H -CP
MAIN-P.W.Board			C735	08S45231Y15	CAP,CER 15RJ-CH1H-CP
MAIN-P.W.Board			C736	08S45231Y15	CAP,CER 15RJ-CH1H-CP
MAIN-P.W.Board			C739	08S45676W80	CAP,CER 223K-B1E -CP
MAIN-P.W.Board			C741	08S45676W85	CAP,CER 104K-B1C -CP
MAIN-P.W.Board			C746	08S45676W73	CAP,CER.103K-B1H -CP
MAIN-P.W.Board			C748	08S45232Y17	CAP,CER 104K-B0J -CP
MAIN-P.W.Board			C749	08S45232Y17	CAP,CER 104K-B0J -CP
MAIN-P.W.Board			C751	08S45232Y17	CAP,CER 104K-B0J -CP
MAIN-P.W.Board			C752	08S45676W68	CAP,CER.392K-B1H -CP
MAIN-P.W.Board			C753	08S45232Y09	CAP,CER 472K-B1E -CP
MAIN-P.W.Board			C754	08S45676W72	CAP,CER 822K-B1H -CP
MAIN-P.W.Board			C755	08S45676W85	CAP,CER 104K-B1C -CP
MAIN-P.W.Board			C756	08S45232Y17	CAP,CER 104K-B0J -CP
MAIN-P.W.Board			C757	08S45232Y17	CAP,CER 104K-B0J -CP
MAIN-P.W.Board			C758	08S60102F44	CAP,CER 474K-B1E -CP
MAIN-P.W.Board			C764	08S45539Y04	CAP,CER 103KX7R2J-CP
MAIN-P.W.Board			C765	08S45676W73	CAP,CER.103K-B1H -CP
MAIN-P.W.Board			C766	08S45676W73	CAP,CER.103K-B1H -CP
MAIN-P.W.Board			C767	08S45676W73	CAP,CER.103K-B1H -CP
MAIN-P.W.Board			C800	08S45676W80	CAP,CER 223K-B1E -CP
MAIN-P.W.Board			C801	08S45676W85	CAP,CER 104K-B1C -CP

Mark Model Code

#1 CDE-9872 Only,





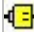
\$1 CDE-9872E (General Foreign) Only,

%1 CDE-9872E (Chinese) Only,

&1 CDE-9872L Only,

Others:Common.

NOTE:The part that has not PART NUMBER will not be supplied.

P.W.Board	MIS	MODEL	Ref.	Parts No.	Parts Name
MAIN-P.W.Board			C802	08S45676W85	CAP,CER 104K-B1C -CP
MAIN-P.W.Board			C803	08S45676W80	CAP,CER 223K-B1E -CP
MAIN-P.W.Board			C804	08T55390W34	CAP,TF 274J-1H -R5
MAIN-P.W.Board			C805	08S45676W85	CAP,CER 104K-B1C -CP
MAIN-P.W.Board			C806	08S45676W85	CAP,CER 104K-B1C -CP
MAIN-P.W.Board			C807	08S45676W85	CAP,CER 104K-B1C -CP
MAIN-P.W.Board			C808	08S45676W85	CAP,CER 104K-B1C -CP
MAIN-P.W.Board			C809	08S45676W85	CAP,CER 104K-B1C -CP
MAIN-P.W.Board			C810	08S65667Y01	CAP,CER 224KX5R1C-CP
MAIN-P.W.Board			C811	08S60102F44	CAP,CER 474K-B1E -CP
MAIN-P.W.Board			C812	08S45676W67	CAP,CER.332K-B1H -CP
MAIN-P.W.Board			C813	08S45676W67	CAP,CER.332K-B1H -CP
MAIN-P.W.Board			C814	08S65667Y01	CAP,CER 224KX5R1C-CP
MAIN-P.W.Board		#1	C815	08S35350Y04	CAP,CER 105K-B1C -CP
MAIN-P.W.Board		&1	C815	08S35350Y04	CAP,CER 105K-B1C -CP
MAIN-P.W.Board			C818	08S45676W73	CAP,CER.103K-B1H -CP
MAIN-P.W.Board			C820	08S65128F78	CAP,CER.223K-B1H -CP
MAIN-P.W.Board			C823	08S45539Y04	CAP,CER 103KX7R2J-CP
MAIN-P.W.Board			C825	08S45676W73	CAP,CER.103K-B1H -CP
MAIN-P.W.Board			C826	08S45676W80	CAP,CER 223K-B1E -CP
MAIN-P.W.Board			C827	08S45539Y04	CAP,CER 103KX7R2J-CP
MAIN-P.W.Board			C828	08S45676W85	CAP,CER 104K-B1C -CP
MAIN-P.W.Board			CB501	09-05560Z01	BTB,DF15-S -DB
MAIN-P.W.Board			CB704	09-09312Z02	FFC,IMSA9663S-15Y-EQ
MAIN-P.W.Board			CB705	09T45435W11	FFC,52207-1190 -E9
MAIN-P.W.Board			CB801	09T25738Y11	WTB,53254-1170 -DB
MAIN-P.W.Board		#1	CB803	24-02502Z02	ASSY,W277A001 -DB
MAIN-P.W.Board		\$1	CB803	24-05301Z01	ASSY,NLT2010 -DB
MAIN-P.W.Board		%1	CB803	24-05301Z01	ASSY,NLT2010 -DB
MAIN-P.W.Board		&1	CB803	24-02502Z02	ASSY,W277A001 -DB
MAIN-P.W.Board			D001	48T85357W01	DIO,1PS226 -CP
MAIN-P.W.Board			D301	48T75527Y01	DIO,1SR154-400 -E1
MAIN-P.W.Board			D302	48-07015Z01	DIO,KDS160-RTK -CP
MAIN-P.W.Board			D303	48T75527Y01	DIO,1SR154-400 -E1
MAIN-P.W.Board			D501	48T85357W01	DIO,1PS226 -CP
MAIN-P.W.Board			D503	48T85357W01	DIO,1PS226 -CP
MAIN-P.W.Board			D702	48T85357W01	DIO,1PS226 -CP
MAIN-P.W.Board			D703	48T85357W01	DIO,1PS226 -CP
MAIN-P.W.Board			D704	48T75527Y01	DIO,1SR154-400 -E1
MAIN-P.W.Board			D800	48T75527Y01	DIO,1SR154-400 -E1
MAIN-P.W.Board			D801	48T75527Y01	DIO,1SR154-400 -E1
MAIN-P.W.Board			D802	48T75527Y01	DIO,1SR154-400 -E1
MAIN-P.W.Board			D803	48T85357W01	DIO,1PS226 -CP

Mark Model Code

#1 CDE-9872 Only,

\$1 CDE-9872E (General Foreign) Only,

%1 CDE-9872E (Chinese) Only,

&1 CDE-9872L Only,

Others:Common.

NOTE:The part that has not PART NUMBER will not be supplied.

P.W.Board	MIS	MODEL	Ref.	Parts No.	Parts Name
MAIN-P.W.Board			D804	48T75527Y01	DIO,1SR154-400 -E1
MAIN-P.W.Board			D805	48T44813F03	DIO,MA165 -R5
MAIN-P.W.Board			D806	48T75527Y01	DIO,1SR154-400 -E1
MAIN-P.W.Board			D807	48-05828Z01	DIO,1N5406G-04 -
MAIN-P.W.Board			D808	48T75527Y01	DIO,1SR154-400 -E1
MAIN-P.W.Board			E001	23S65134W23	CAP,ELY 101-1A(6)-E6
MAIN-P.W.Board			E002	23S65134W41	CAP,ELY 4R7-1E(3)-E2
MAIN-P.W.Board			E003	23S65134W53	CAP,ELY 4R7-1V(4)-E2
MAIN-P.W.Board			E201	23S65134W53	CAP,ELY 4R7-1V(4)-E2
MAIN-P.W.Board			E202	23S65134W65	CAP,ELY 1R0-1H(3)-E2
MAIN-P.W.Board			E203	23S75373W14	CAP,ELY 2R2-1H -R2
MAIN-P.W.Board			E204	23S75373W14	CAP,ELY 2R2-1H -R2
MAIN-P.W.Board			E207	23S65134W64	CAP,ELY R47-1H(3)-E2
MAIN-P.W.Board			E208	23S65134W64	CAP,ELY R47-1H(3)-E2
MAIN-P.W.Board			E209	23S65134W41	CAP,ELY 4R7-1E(3)-E2
MAIN-P.W.Board			E210	23S65134W41	CAP,ELY 4R7-1E(3)-E2
MAIN-P.W.Board			E211	23S65134W41	CAP,ELY 4R7-1E(3)-E2
MAIN-P.W.Board			E216	23S65134W65	CAP,ELY 1R0-1H(3)-E2
MAIN-P.W.Board			E301	23S65134W32	CAP,ELY 22R-1C(5)-E3
MAIN-P.W.Board			E302	23S65134W34	CAP,ELY 47R-1C(6)-E6
MAIN-P.W.Board			E303	23S65134W65	CAP,ELY 1R0-1H(3)-E2
MAIN-P.W.Board			E304	23S65134W53	CAP,ELY 4R7-1V(4)-E2
MAIN-P.W.Board			E305	23S65134W54	CAP,ELY 10R-1V(5)-E3
MAIN-P.W.Board			E306	23S65134W53	CAP,ELY 4R7-1V(4)-E2
MAIN-P.W.Board			E307	23S65134W53	CAP,ELY 4R7-1V(4)-E2
MAIN-P.W.Board			E308	23S65134W53	CAP,ELY 4R7-1V(4)-E2
MAIN-P.W.Board			E309	23S65134W53	CAP,ELY 4R7-1V(4)-E2
MAIN-P.W.Board			E701	23S65134W45	CAP,ELY 33R-1E(6)-E6
MAIN-P.W.Board			E702	23T65679Y11	CAP,CD 47R-0J -E2
MAIN-P.W.Board			E703	23S65134W34	CAP,ELY 47R-1C(6)-E6
MAIN-P.W.Board			E704	23S65134W35	CAP,ELY 101-1C(8)-E6
MAIN-P.W.Board			E706	23S65134W34	CAP,ELY 47R-1C(6)-E6
MAIN-P.W.Board			E708	23S65134W32	CAP,ELY 22R-1C(5)-E3
MAIN-P.W.Board			E709	23S65134W35	CAP,ELY 101-1C(8)-E6
MAIN-P.W.Board			E710	23S65134W34	CAP,ELY 47R-1C(6)-E6
MAIN-P.W.Board			E711	23S65134W32	CAP,ELY 22R-1C(5)-E3
MAIN-P.W.Board			E713	23S65134W34	CAP,ELY 47R-1C(6)-E6
MAIN-P.W.Board			E800	23S65134W23	CAP,ELY 101-1A(6)-E6
MAIN-P.W.Board			E801	23S65134W26	CAP,ELY 471-1A(8)-EA
MAIN-P.W.Board			E802	23S65134W24	CAP,ELY 221-1A(8)-E6
MAIN-P.W.Board			E803	23S65134W36	CAP,ELY 221-1C(8)-EA
MAIN-P.W.Board			E804	23S65134W31	CAP,ELY 10R-1C(4)-E2
MAIN-P.W.Board			E806	23T55378W03	CAP,KMG 471-1A -R2

Mark Model Code

#1 CDE-9872 Only,

\$1 CDE-9872E (General Foreign) Only,

%1 CDE-9872E (Chinese) Only,

&1 CDE-9872L Only,

Others:Common.

NOTE:The part that has not PART NUMBER will not be supplied.

P.W.Board	MIS	MODEL	Ref.	Parts No.	Parts Name
MAIN-P.W.Board			E807	23S65134W31	CAP,ELY 10R-1C(4)-E2
MAIN-P.W.Board			E808	23S65134W31	CAP,ELY 10R-1C(4)-E2
MAIN-P.W.Board			E809	23S65134W24	CAP,ELY 221-1A(8)-E6
MAIN-P.W.Board			E816	23T75325Y01	CAP,VB 332-1C +
MAIN-P.W.Board			E817	23S65134W31	CAP,ELY 10R-1C(4)-E2
MAIN-P.W.Board			E818	23S65134W23	CAP,ELY 101-1A(6)-E6
MAIN-P.W.Board			E821	23S65134W15	CAP,ELY 331-0J(8)-E6
MAIN-P.W.Board			IC201	51-07764Z01	TDA7417 -QE6
MAIN-P.W.Board			IC301	51-04635Z01	TB2904HQ -ZS
MAIN-P.W.Board			IC302	51T25183Y02	TC7SET08FU-EL -CP
MAIN-P.W.Board			IC501	51-12177Z01	IC,MN101E16KXXX -QT
MAIN-P.W.Board			IC505	51T75063Y06	BD5228G-TR -CP
MAIN-P.W.Board			IC701	51-09762Z04	MN6627971AE -QT
MAIN-P.W.Board			IC702	51-06020Z01	AN41023A-E1 -SEA
MAIN-P.W.Board			IC703	51-11810Z01	KIC7WZ32FK-RTK -CP
MAIN-P.W.Board			IC704	51-11615Z01	BD7300EFV-E2 -SE6
MAIN-P.W.Board			IC705	51T35410Y01	S-817A33ANB-T2 -CP
MAIN-P.W.Board			IC706	51T25330Y01	TC7WH123FU-TE12L-SE1
MAIN-P.W.Board			IC801	51T65147Y01	HA13165 -ZS
MAIN-P.W.Board			IC802	51-05862Z01	NJM2845DL1-33-TE1NE5
MAIN-P.W.Board			IC803	51-11631Z01	RT9198-15GBR -CP
MAIN-P.W.Board			IC805	51-05862Z01	NJM2845DL1-33-TE1NE5
MAIN-P.W.Board	☒		JK201	09-11354Z01	RCA,YKC21-4818N -DB
MAIN-P.W.Board			L001	24T25164Y21	IND,FSLM2520 4R7J-CP
MAIN-P.W.Board			L002	24T16403W29	COI,IND.15R-M -CP
MAIN-P.W.Board			L003	24T35286Y02	IND,MG56 332J -DB
MAIN-P.W.Board			Q101	48T75031Y01	TR,2SB1440 -E2
MAIN-P.W.Board			Q102	48T64222F11	TR,UN221F-TX -CP
MAIN-P.W.Board			Q202	48T25317Y01	TR,XN0F256-TX -CP
MAIN-P.W.Board			Q301	48T64222F01	TR ,UN2211 10-10 -TX
MAIN-P.W.Board			Q302	48T45594W12	TR ,XN1A312 -TX-CP
MAIN-P.W.Board			Q303	48T64222F02	TR ,UN2212 22-22 -TX
MAIN-P.W.Board			Q304	48T64222F01	TR ,UN2211 10-10 -TX
MAIN-P.W.Board			Q306	48T64222F02	TR ,UN2212 22-22 -TX
MAIN-P.W.Board			Q500	48-09583Z04	TR,KTA1504S-GRRTK-CP
MAIN-P.W.Board			Q501	48T64222F01	TR ,UN2211 10-10 -TX
MAIN-P.W.Board			Q502	48T45594W12	TR ,XN1A312 -TX-CP
MAIN-P.W.Board			Q701	48T55462Y01	TR,2SB1132-QR-100-E2
MAIN-P.W.Board			Q702	48T45594W16	TR,XN1A311-TX -CP
MAIN-P.W.Board			Q703	48-07989Z02	TR,UNR5212J-TX -CP
MAIN-P.W.Board			Q704	48T45594W12	TR ,XN1A312 -TX-CP
MAIN-P.W.Board			Q705	48-07987Z02	TR,UNR5112J-TX -CP
MAIN-P.W.Board			Q800	48T75031Y01	TR,2SB1440 -E2

Mark Model Code

#1 CDE-9872 Only,

\$1 CDE-9872E (General Foreign) Only,

%1 CDE-9872E (Chinese) Only,

&1 CDE-9872L Only,

Others:Common.

NOTE:The part that has not PART NUMBER will not be supplied.

P.W.Board	MIS	MODEL	Ref.	Parts No.	Parts Name
-----------	-----	-------	------	-----------	------------

MAIN-P.W.Board			Q801	48T45594W12	TR ,XN1A312 -TX-CP
MAIN-P.W.Board			Q802	48T45594W12	TR ,XN1A312 -TX-CP
MAIN-P.W.Board			Q803	48T64222F12	TR,UN221L-TX -CP
MAIN-P.W.Board			Q806	48T64222F02	TR ,UN2212 22-22 -TX
MAIN-P.W.Board			Q807	48T75031Y03	TR,2SB1440-S -E2
MAIN-P.W.Board			Q808	48-04929Z05	TR,KRC105S-RTK -CP
MAIN-P.W.Board			Q809	48-04929Z18	TR,KRC119S-RTK -CP
MAIN-P.W.Board			Q810	48T45594W12	TR ,XN1A312 -TX-CP
MAIN-P.W.Board		\$1	Q811	48-05471Z01	TR,XPONG8A00-L -CP
MAIN-P.W.Board		%1	Q811	48-05471Z01	TR,XPONG8A00-L -CP
MAIN-P.W.Board		#1	Q813	48T64222F02	TR ,UN2212 22-22 -TX
MAIN-P.W.Board		&1	Q813	48T64222F02	TR ,UN2212 22-22 -TX
MAIN-P.W.Board			Q850	48T75031Y01	TR,2SB1440 -E2
MAIN-P.W.Board			Q851	48T64222F11	TR,UN221F-TX -CP
MAIN-P.W.Board			R001	06S70072F05	RES,CP .10R-J-1/4-CP
MAIN-P.W.Board			R002	06S70072F78	RES,CP .2R2-J-1/4-CP
MAIN-P.W.Board			R018	06S45674W19	RES,RK 27RJ 1/10 -CP
MAIN-P.W.Board			R019	06S45674W19	RES,RK 27RJ 1/10 -CP
MAIN-P.W.Board			R101	06S70072F77	RES,CP .103-J-1/4-CP
MAIN-P.W.Board			R102	06S70072F61	RES,CP .222-J-1/4-CP
MAIN-P.W.Board			R103	06S70072F61	RES,CP .222-J-1/4-CP
MAIN-P.W.Board			R203	06S45675W02	RES,RK 683J 1/10 -CP
MAIN-P.W.Board			R204	06S45675W02	RES,RK 683J 1/10 -CP
MAIN-P.W.Board			R209	06S64995F37	RES,RK 221J 1/8 -CP
MAIN-P.W.Board			R212	06S64995F37	RES,RK 221J 1/8 -CP
MAIN-P.W.Board			R216	06S64995F26	RES,RK 75RJ 1/8 -CP
MAIN-P.W.Board			R217	06S64995F26	RES,RK 75RJ 1/8 -CP
MAIN-P.W.Board			R223	06S35084Y37	RES,RK 103F 1/8 -CP
MAIN-P.W.Board			R224	06S35084Y37	RES,RK 103F 1/8 -CP
MAIN-P.W.Board			R225	06S35084Y37	RES,RK 103F 1/8 -CP
MAIN-P.W.Board			R229	06S35084Y37	RES,RK 103F 1/8 -CP
MAIN-P.W.Board			R230	06S55365Y59	RES,RK 561J 1/10 -CP
MAIN-P.W.Board			R231	06S55365Y59	RES,RK 561J 1/10 -CP
MAIN-P.W.Board			R232	06S35084Y37	RES,RK 103F 1/8 -CP
MAIN-P.W.Board			R233	06S35084Y37	RES,RK 103F 1/8 -CP
MAIN-P.W.Board			R301	06S45674W81	RES,RK 103J 1/10 -CP
MAIN-P.W.Board			R302	06S45674W81	RES,RK 103J 1/10 -CP
MAIN-P.W.Board			R303	06S45674W41	RES,RK 221J 1/10 -CP
MAIN-P.W.Board			R304	06S45674W97	RES,RK 473J 1/10 -CP
MAIN-P.W.Board			R305	06S70072F29	RES,CP .101-J-1/4-CP
MAIN-P.W.Board			R306	06S45674W81	RES,RK 103J 1/10 -CP
MAIN-P.W.Board			R307	06S45674W33	RES,RK 101J 1/10 -CP
MAIN-P.W.Board			R309	06S45674W77	RES,RK 682J 1/10 -CP

Mark Model Code

#1 CDE-9872 Only,

\$1 CDE-9872E (General Foreign) Only,

%1 CDE-9872E (Chinese) Only,

&1 CDE-9872L Only,

Others:Common.

NOTE:The part that has not PART NUMBER will not be supplied.

P.W.Board	MIS	MODEL	Ref.	Parts No.	Parts Name
-----------	-----	-------	------	-----------	------------

MAIN-P.W.Board			R501	06S45674W61	RES,RK 152J 1/10 -CP
MAIN-P.W.Board			R502	06S45674W57	RES,RK 102J 1/10 -CP
MAIN-P.W.Board			R503	06S45675W34	RES,RK 225J 1/10 -CP
MAIN-P.W.Board			R508	06S45674W75	RES,RK 562J 1/10 -CP
MAIN-P.W.Board			R510	06S45674W33	RES,RK 101J 1/10 -CP
MAIN-P.W.Board			R511	06S45674W33	RES,RK 101J 1/10 -CP
MAIN-P.W.Board			R512	06S45674W57	RES,RK 102J 1/10 -CP
MAIN-P.W.Board			R514	06S45674W33	RES,RK 101J 1/10 -CP
MAIN-P.W.Board			R515	06S45674W57	RES,RK 102J 1/10 -CP
MAIN-P.W.Board			R516	06S45674W89	RES,RK 223J 1/10 -CP
MAIN-P.W.Board			R517	06S45674W33	RES,RK 101J 1/10 -CP
MAIN-P.W.Board			R518	06S45674W33	RES,RK 101J 1/10 -CP
MAIN-P.W.Board			R519	06S45674W33	RES,RK 101J 1/10 -CP
MAIN-P.W.Board			R522	06S45674W33	RES,RK 101J 1/10 -CP
MAIN-P.W.Board			R524	06S45674W57	RES,RK 102J 1/10 -CP
MAIN-P.W.Board			R525	06S45674W33	RES,RK 101J 1/10 -CP
MAIN-P.W.Board			R526	06S45674W33	RES,RK 101J 1/10 -CP
MAIN-P.W.Board			R527	06S45674W91	RES,RK 273J 1/10 -CP
MAIN-P.W.Board			R528	06S45674W75	RES,RK 562J 1/10 -CP
MAIN-P.W.Board			R529	06S45674W75	RES,RK 562J 1/10 -CP
MAIN-P.W.Board			R530	06S45674W97	RES,RK 473J 1/10 -CP
MAIN-P.W.Board			R532	06S45674W57	RES,RK 102J 1/10 -CP
MAIN-P.W.Board			R533	06S45674W57	RES,RK 102J 1/10 -CP
MAIN-P.W.Board			R539	06S45674W33	RES,RK 101J 1/10 -CP
MAIN-P.W.Board			R540	06S45674W33	RES,RK 101J 1/10 -CP
MAIN-P.W.Board			R541	06S35084Y37	RES,RK 103F 1/8 -CP
MAIN-P.W.Board			R543	06S45674W33	RES,RK 101J 1/10 -CP
MAIN-P.W.Board			R544	06S45674W33	RES,RK 101J 1/10 -CP
MAIN-P.W.Board			R545	06S45674W65	RES,RK 222J 1/10 -CP
MAIN-P.W.Board			R546	06S45674W89	RES,RK 223J 1/10 -CP
MAIN-P.W.Board			R547	06S45674W33	RES,RK 101J 1/10 -CP
MAIN-P.W.Board			R549	06S45674W33	RES,RK 101J 1/10 -CP
MAIN-P.W.Board			R552	06S45675W06	RES,RK 104J 1/10 -CP
MAIN-P.W.Board			R554	06S45674W97	RES,RK 473J 1/10 -CP
MAIN-P.W.Board			R555	06S64995F53	RES,RK 102J 1/8 -CP
MAIN-P.W.Board			R556	06S45674W89	RES,RK 223J 1/10 -CP
MAIN-P.W.Board			R557	06S45674W33	RES,RK 101J 1/10 -CP
MAIN-P.W.Board			R558	06S45674W33	RES,RK 101J 1/10 -CP
MAIN-P.W.Board			R559	06S45674W33	RES,RK 101J 1/10 -CP
MAIN-P.W.Board			R560	06S45674W33	RES,RK 101J 1/10 -CP
MAIN-P.W.Board			R561	06S45674W89	RES,RK 223J 1/10 -CP
MAIN-P.W.Board			R562	06S45674W57	RES,RK 102J 1/10 -CP
MAIN-P.W.Board			R563	06S45674W33	RES,RK 101J 1/10 -CP

Mark Model Code

#1 CDE-9872 Only,

\$1 CDE-9872E (General Foreign) Only,

%1 CDE-9872E (Chinese) Only,

&1 CDE-9872L Only,

Others:Common.

NOTE:The part that has not PART NUMBER will not be supplied.

P.W.Board	MIS	MODEL	Ref.	Parts No.	Parts Name
-----------	-----	-------	------	-----------	------------

MAIN-P.W.Board			R564	06S45674W33	RES,RK 101J 1/10 -CP
MAIN-P.W.Board			R565	06S45674W33	RES,RK 101J 1/10 -CP
MAIN-P.W.Board			R566	06S45674W33	RES,RK 101J 1/10 -CP
MAIN-P.W.Board			R567	06S45674W33	RES,RK 101J 1/10 -CP
MAIN-P.W.Board			R569	06S35084Y37	RES,RK 103F 1/8 -CP
MAIN-P.W.Board			R570	06S64995F77	RES,RK 103J 1/8 -CP
MAIN-P.W.Board			R571	06S45674W89	RES,RK 223J 1/10 -CP
MAIN-P.W.Board			R572	06S45674W81	RES,RK 103J 1/10 -CP
MAIN-P.W.Board			R576	06S45674W75	RES,RK 562J 1/10 -CP
MAIN-P.W.Board			R577	06S45674W57	RES,RK 102J 1/10 -CP
MAIN-P.W.Board			R578	06S45674W57	RES,RK 102J 1/10 -CP
MAIN-P.W.Board			R579	06S45675W02	RES,RK 683J 1/10 -CP
MAIN-P.W.Board			R580	06S45674W65	RES,RK 222J 1/10 -CP
MAIN-P.W.Board			R583	06S45674W89	RES,RK 223J 1/10 -CP
MAIN-P.W.Board		\$1	R586	06S45674W89	RES,RK 223J 1/10 -CP
MAIN-P.W.Board		%1	R586	06S45674W89	RES,RK 223J 1/10 -CP
MAIN-P.W.Board		#1	R587	06S45674W89	RES,RK 223J 1/10 -CP
MAIN-P.W.Board		&1	R587	06S45674W89	RES,RK 223J 1/10 -CP
MAIN-P.W.Board			R596	06S64995F53	RES,RK 102J 1/8 -CP
MAIN-P.W.Board			R599	06S64995F53	RES,RK 102J 1/8 -CP
MAIN-P.W.Board			R600	06S64995F53	RES,RK 102J 1/8 -CP
MAIN-P.W.Board			R601	06S64995F53	RES,RK 102J 1/8 -CP
MAIN-P.W.Board			R602	06S45675W06	RES,RK 104J 1/10 -CP
MAIN-P.W.Board			R603	06S45674W99	RES,RK 563J 1/10 -CP
MAIN-P.W.Board			R604	06S64995F53	RES,RK 102J 1/8 -CP
MAIN-P.W.Board			R605	06S64995F53	RES,RK 102J 1/8 -CP
MAIN-P.W.Board		\$1	R613	06S45674W33	RES,RK 101J 1/10 -CP
MAIN-P.W.Board		%1	R613	06S45674W33	RES,RK 101J 1/10 -CP
MAIN-P.W.Board			R614	06S45674W89	RES,RK 223J 1/10 -CP
MAIN-P.W.Board			R625	06S45674W92	RES,RK 303J 1/10 -CP
MAIN-P.W.Board		\$1	R626	06S70072F77	RES,CP .103-J-1/4-CP
MAIN-P.W.Board		%1	R626	06S70072F77	RES,CP .103-J-1/4-CP
MAIN-P.W.Board			R627	06S64996F02	RES,RK 104J 1/8 -CP
MAIN-P.W.Board		\$1	R628	06S45674W85	RES,RK 153J 1/10 -CP
MAIN-P.W.Board		%1	R628	06S45674W85	RES,RK 153J 1/10 -CP
MAIN-P.W.Board		#1	R640	06S45674W33	RES,RK 101J 1/10 -CP
MAIN-P.W.Board		&1	R640	06S45674W33	RES,RK 101J 1/10 -CP
MAIN-P.W.Board			R645	06S45674W89	RES,RK 223J 1/10 -CP
MAIN-P.W.Board			R698	06S64995F29	RES,RK 101J 1/8 -CP
MAIN-P.W.Board			R700	06S45674W89	RES,RK 223J 1/10 -CP
MAIN-P.W.Board			R702	06S45674W97	RES,RK 473J 1/10 -CP
MAIN-P.W.Board			R710	06S45674W94	RES,RK 363J 1/10 -CP
MAIN-P.W.Board			R711	06S45674W87	RES,RK 183J 1/10 -CP

Mark Model Code

#1 CDE-9872 Only,

\$1 CDE-9872E (General Foreign) Only,

%1 CDE-9872E (Chinese) Only,

&1 CDE-9872L Only,

Others:Common.

NOTE:The part that has not PART NUMBER will not be supplied.

P.W.Board	MIS	MODEL	Ref.	Parts No.	Parts Name
MAIN-P.W.Board			R712	06S45674W97	RES,RK 473J 1/10 -CP
MAIN-P.W.Board			R713	06S45674W33	RES,RK 101J 1/10 -CP
MAIN-P.W.Board			R714	06S45674W75	RES,RK 562J 1/10 -CP
MAIN-P.W.Board			R716	06S45674W75	RES,RK 562J 1/10 -CP
MAIN-P.W.Board			R717	06S45674W97	RES,RK 473J 1/10 -CP
MAIN-P.W.Board			R718	06S45674W33	RES,RK 101J 1/10 -CP
MAIN-P.W.Board			R719	06S45674W75	RES,RK 562J 1/10 -CP
MAIN-P.W.Board			R721	06S45674W57	RES,RK 102J 1/10 -CP
MAIN-P.W.Board			R722	06S45674W83	RES,RK 123J 1/10 -CP
MAIN-P.W.Board			R723	06S45674W33	RES,RK 101J 1/10 -CP
MAIN-P.W.Board			R724	06S45674W85	RES,RK 153J 1/10 -CP
MAIN-P.W.Board			R726	06S45674W75	RES,RK 562J 1/10 -CP
MAIN-P.W.Board			R727	06S45674W87	RES,RK 183J 1/10 -CP
MAIN-P.W.Board			R728	06S45674W33	RES,RK 101J 1/10 -CP
MAIN-P.W.Board			R729	06S45674W85	RES,RK 153J 1/10 -CP
MAIN-P.W.Board			R731	06S45674W75	RES,RK 562J 1/10 -CP
MAIN-P.W.Board			R732	06S45674W89	RES,RK 223J 1/10 -CP
MAIN-P.W.Board			R733	06S45674W89	RES,RK 223J 1/10 -CP
MAIN-P.W.Board			R734	06S45674W81	RES,RK 103J 1/10 -CP
MAIN-P.W.Board			R735	06S45674W81	RES,RK 103J 1/10 -CP
MAIN-P.W.Board			R743	06S45675W04	RES,RK 823J 1/10 -CP
MAIN-P.W.Board			R744	06S45674W55	RES,RK 821J 1/10 -CP
MAIN-P.W.Board			R745	06S45674W67	RES,RK 272J 1/10 -CP
MAIN-P.W.Board			R748	06S45674W55	RES,RK 821J 1/10 -CP
MAIN-P.W.Board			R749	06S45674W55	RES,RK 821J 1/10 -CP
MAIN-P.W.Board			R751	06S45674W97	RES,RK 473J 1/10 -CP
MAIN-P.W.Board			R752	06S45674W97	RES,RK 473J 1/10 -CP
MAIN-P.W.Board			R753	06S45675W30	RES,RK 105J 1/10 -CP
MAIN-P.W.Board			R754	06S45674W37	RES,RK 151J 1/10 -CP
MAIN-P.W.Board			R758	06S45674W81	RES,RK 103J 1/10 -CP
MAIN-P.W.Board			R759	06S45674W81	RES,RK 103J 1/10 -CP
MAIN-P.W.Board			R760	06S45674W81	RES,RK 103J 1/10 -CP
MAIN-P.W.Board			R761	06S45674W97	RES,RK 473J 1/10 -CP
MAIN-P.W.Board			R762	06S45674W97	RES,RK 473J 1/10 -CP
MAIN-P.W.Board			R763	06S45674W99	RES,RK 563J 1/10 -CP
MAIN-P.W.Board			R764	06S45674W33	RES,RK 101J 1/10 -CP
MAIN-P.W.Board			R765	06S45674W93	RES,RK 333J 1/10 -CP
MAIN-P.W.Board			R766	06S45674W33	RES,RK 101J 1/10 -CP
MAIN-P.W.Board			R767	06S45674W33	RES,RK 101J 1/10 -CP
MAIN-P.W.Board			R768	06S45674W33	RES,RK 101J 1/10 -CP
MAIN-P.W.Board			R769	06S45674W33	RES,RK 101J 1/10 -CP
MAIN-P.W.Board			R770	06S45674W97	RES,RK 473J 1/10 -CP
MAIN-P.W.Board			R771	06S45675W04	RES,RK 823J 1/10 -CP

Mark Model Code

#1 CDE-9872 Only,

\$1 CDE-9872E (General Foreign) Only,

%1 CDE-9872E (Chinese) Only,

&1 CDE-9872L Only,

Others:Common.

NOTE:The part that has not PART NUMBER will not be supplied.

P.W.Board	MIS	MODEL	Ref.	Parts No.	Parts Name
MAIN-P.W.Board			R772	06S45675W04	RES,RK 823J 1/10 -CP
MAIN-P.W.Board			R773	06S45675W04	RES,RK 823J 1/10 -CP
MAIN-P.W.Board			R774	06S70072F90	RES,CP .1R0-J-1/4-CP
MAIN-P.W.Board			R781	06S45674W33	RES,RK 101J 1/10 -CP
MAIN-P.W.Board			R782	06S45674W81	RES,RK 103J 1/10 -CP
MAIN-P.W.Board			R784	06S45674W77	RES,RK 682J 1/10 -CP
MAIN-P.W.Board			R785	06S45674W81	RES,RK 103J 1/10 -CP
MAIN-P.W.Board			R786	06S45674W91	RES,RK 273J 1/10 -CP
MAIN-P.W.Board			R788	06S45675W28	RES,RK 824J 1/10 -CP
MAIN-P.W.Board			R791	06S45674W43	RES,RK 271J 1/10 -CP
MAIN-P.W.Board			R792	06S45675W14	RES,RK 224J 1/10 -CP
MAIN-P.W.Board			R797	06S45674W89	RES,RK 223J 1/10 -CP
MAIN-P.W.Board			R798	06S45674W89	RES,RK 223J 1/10 -CP
MAIN-P.W.Board			R799	06S45674W97	RES,RK 473J 1/10 -CP
MAIN-P.W.Board			R800	06S15594Y09	RES,RK 304F 1/10 -CP
MAIN-P.W.Board			R801	06S55362Y01	RES,RK 303J 1/4 -CP
MAIN-P.W.Board			R802	06S55365Y80	RES,RK 432J 1/10 -CP
MAIN-P.W.Board			R804	06S70072F58	RES,CF .162-J-1/4-CP
MAIN-P.W.Board			R805	06S70072F61	RES,CP .222-J-1/4-CP
MAIN-P.W.Board			R807	06S45675W22	RES,RK 474J 1/10 -CP
MAIN-P.W.Board			R808	06S35083Y33	RES,RK 472F 1/4 -CP
MAIN-P.W.Board			R809	06S35083Y29	RES,RK 222F 1/4 -CP
MAIN-P.W.Board			R811	06S70072F99	RES,RK 273J 1/4 -CP
MAIN-P.W.Board			R812	06S35095Y03	RES,RK 473J 1/4 -CP
MAIN-P.W.Board			R813	06S70072F58	RES,CF .162-J-1/4-CP
MAIN-P.W.Board			R814	06S70072F58	RES,CF .162-J-1/4-CP
MAIN-P.W.Board			R815	06S70072F58	RES,CF .162-J-1/4-CP
MAIN-P.W.Board			R816	06S70072F58	RES,CF .162-J-1/4-CP
MAIN-P.W.Board			R817	06S45674W90	RES,RK 243J 1/10 -CP
MAIN-P.W.Board			R818	06S70072F53	RES,CP .102-J-1/4-CP
MAIN-P.W.Board			R819	06S70072F53	RES,CP .102-J-1/4-CP
MAIN-P.W.Board			R820	06S70072F77	RES,CP .103-J-1/4-CP
MAIN-P.W.Board			R822	06S70072F53	RES,CP .102-J-1/4-CP
MAIN-P.W.Board			R823	06S45674W33	RES,RK 101J 1/10 -CP
MAIN-P.W.Board			R824	06S15594Y12	RES,RK 394F 1/10 -CP
MAIN-P.W.Board			R825	06S15593Y85	RES,RK 333F 1/10 -CP
MAIN-P.W.Board			R826	06S15594Y07	RES,RK 244F 1/10 -CP
MAIN-P.W.Board			R827	06S70072F77	RES,CP .103-J-1/4-CP
MAIN-P.W.Board			R828	06S70072F61	RES,CP .222-J-1/4-CP
MAIN-P.W.Board			R829	06S45674W81	RES,RK 103J 1/10 -CP
MAIN-P.W.Board		#1	R830	06S70072F77	RES,CP .103-J-1/4-CP
MAIN-P.W.Board		&1	R830	06S70072F77	RES,CP .103-J-1/4-CP
MAIN-P.W.Board			R831	06S45674W97	RES,RK 473J 1/10 -CP

Mark Model Code

#1 CDE-9872 Only,

\$1 CDE-9872E (General Foreign) Only,

%1 CDE-9872E (Chinese) Only,

&1 CDE-9872L Only,

Others:Common.

NOTE:The part that has not PART NUMBER will not be supplied.

P.W.Board	MIS	MODEL	Ref.	Parts No.	Parts Name
MAIN-P.W.Board			R833	06S70072F61	RES,CP .222-J-1/4-CP
MAIN-P.W.Board			R834	06S45674W89	RES,RK 223J 1/10 -CP
MAIN-P.W.Board			R835	06S55365Y80	RES,RK 432J 1/10 -CP
MAIN-P.W.Board			R836	06S45674W89	RES,RK 223J 1/10 -CP
MAIN-P.W.Board			R839	06S45674W89	RES,RK 223J 1/10 -CP
MAIN-P.W.Board			R840	06S45674W89	RES,RK 223J 1/10 -CP
MAIN-P.W.Board			R841	06S45674W89	RES,RK 223J 1/10 -CP
MAIN-P.W.Board			R842	06S45674W89	RES,RK 223J 1/10 -CP
MAIN-P.W.Board			R843	06S45674W33	RES,RK 101J 1/10 -CP
MAIN-P.W.Board			R846	06S45674W33	RES,RK 101J 1/10 -CP
MAIN-P.W.Board			R847	06S15593Y97	RES,RK 104F 1/10 -CP
MAIN-P.W.Board			R855	06S70072F61	RES,CP .222-J-1/4-CP
MAIN-P.W.Board			R856	06S70072F77	RES,CP .103-J-1/4-CP
MAIN-P.W.Board			R857	06S70072F61	RES,CP .222-J-1/4-CP
MAIN-P.W.Board			R858	06T45541Y01	RES,RS 12RJ 2W +
MAIN-P.W.Board			RA705	06S45591W07	RES,ARY MNR101J 4-CP
MAIN-P.W.Board			RA706	06S45591W07	RES,ARY MNR101J 4-CP
MAIN-P.W.Board			RA708	06S45591W16	RES,ARY MNR223J 4-CP
MAIN-P.W.Board			RA709	06S45591W16	RES,ARY MNR223J 4-CP
MAIN-P.W.Board			RA710	06S45591W16	RES,ARY MNR223J 4-CP
MAIN-P.W.Board			RA711	06S45591W16	RES,ARY MNR223J 4-CP
MAIN-P.W.Board			SA001	48T81048F02	PTT,DSP-201M -RD
MAIN-P.W.Board			SW501	40T16096W03	SW ,TACT SKHHLW
MAIN-P.W.Board			TU601	TU-00887Z02	TUNER,MX-A196
MAIN-P.W.Board			XL501	91-11385Z05	XTL,XI 8.000M -R5
MAIN-P.W.Board			XL502	91T15849W02	XTAL,32.768KHZ
MAIN-P.W.Board			XL701	91T45637Y08	XTL,CMR309T 16.9M-E9
MAIN-P.W.Board			Z802	91T65112W06	EMI,BK2125HM102 -CP
MAIN-P.W.Board			ZD802	48T25766W09	DIO,ZEN.HZS 6C3L -R5
FRONT-P.W.Board			C401	08S45677W60	CAP,CER 102J-CH1H-CP
FRONT-P.W.Board			C402	08S45676W89	CAP,CER 473K-B1E -CP
FRONT-P.W.Board			C403	08S45676W89	CAP,CER 473K-B1E -CP
FRONT-P.W.Board			C404	08S45676W89	CAP,CER 473K-B1E -CP
FRONT-P.W.Board			C405	08S45676W80	CAP,CER 223K-B1E -CP
FRONT-P.W.Board			C406	08S45676W80	CAP,CER 223K-B1E -CP
FRONT-P.W.Board		\$1	C407	08S35349Y12	CAP,CER 105K-B0J -CP
FRONT-P.W.Board		%1	C407	08S35349Y12	CAP,CER 105K-B0J -CP
FRONT-P.W.Board			C411	08S65667Y03	CAP,CER 474KX5R1A-CP
FRONT-P.W.Board			CH401	09-05559Z01	BTB,DF15-P -B
FRONT-P.W.Board			D400	48-07015Z01	DIO,KDS160-RTK -CP
FRONT-P.W.Board		\$1	D401	48T85357W01	DIO,1PS226 -CP
FRONT-P.W.Board		%1	D401	48T85357W01	DIO,1PS226 -CP
FRONT-P.W.Board			D406	48-06707Z01	DIO,MA3J147-TX -CP

Mark Model Code

#1 CDE-9872 Only,

\$1 CDE-9872E (General Foreign) Only,


%1 CDE-9872E (Chinese) Only,

&1 CDE-9872L Only,

Others:Common.

NOTE:The part that has not PART NUMBER will not be supplied.

P.W.Board	MIS	MODEL	Ref.	Parts No.	Parts Name
-----------	-----	-------	------	-----------	------------

FRONT-P.W.Board			D407	48-06707Z01	DIO,MA3J147-TX -CP
FRONT-P.W.Board			D408	48-06707Z01	DIO,MA3J147-TX -CP
FRONT-P.W.Board			IC401	51T02236K01	PT6523LQ -QT
FRONT-P.W.Board		\$1	IC402	51-01707Z01	RS-771 -NE2
FRONT-P.W.Board		%1	IC402	51-01707Z01	RS-771 -NE2
FRONT-P.W.Board			LCD401	65-09016Z01	LCD,TB0155M0TTN-F
FRONT-P.W.Board			LD400	48-11414Z02	LED,GRN KPT-1608P-CP
FRONT-P.W.Board			LD401	48-00415Z02	LED,WHT NESW505CT-E2
FRONT-P.W.Board			LD402	48-00415Z02	LED,WHT NESW505CT-E2
FRONT-P.W.Board			LD403	48-11414Z02	LED,GRN KPT-1608P-CP
FRONT-P.W.Board			LD430	48-11866Z01	LED,BLU SMLE12BC7TCP
FRONT-P.W.Board			LD435	48-11414Z02	LED,GRN KPT-1608P-CP
FRONT-P.W.Board			LD436	48-11414Z02	LED,GRN KPT-1608P-CP
FRONT-P.W.Board			LD437	48-11414Z02	LED,GRN KPT-1608P-CP
FRONT-P.W.Board			LD438	48-11414Z02	LED,GRN KPT-1608P-CP
FRONT-P.W.Board			LD439	48-11414Z02	LED,GRN KPT-1608P-CP
FRONT-P.W.Board			LD440	48-11414Z02	LED,GRN KPT-1608P-CP
FRONT-P.W.Board			LD441	48-11414Z02	LED,GRN KPT-1608P-CP
FRONT-P.W.Board			LD442	48-11414Z02	LED,GRN KPT-1608P-CP
FRONT-P.W.Board			LD443	48-11414Z01	LED,RED KPT-1608S-CP
FRONT-P.W.Board			LD444	48-11414Z02	LED,GRN KPT-1608P-CP
FRONT-P.W.Board			LD445	48-11414Z02	LED,GRN KPT-1608P-CP
FRONT-P.W.Board			LD446	48-11414Z02	LED,GRN KPT-1608P-CP
FRONT-P.W.Board			LD447	48-11414Z02	LED,GRN KPT-1608P-CP
FRONT-P.W.Board			LD448	48-11414Z02	LED,GRN KPT-1608P-CP
FRONT-P.W.Board			LD449	48-11414Z02	LED,GRN KPT-1608P-CP
FRONT-P.W.Board			LD450	48-11414Z02	LED,GRN KPT-1608P-CP
FRONT-P.W.Board			LD451	48-11414Z02	LED,GRN KPT-1608P-CP
FRONT-P.W.Board			LD452	48-11414Z02	LED,GRN KPT-1608P-CP
FRONT-P.W.Board			Q399	48T52438F04	TR ,2SD601A-S /TX-CP
FRONT-P.W.Board		#1	Q400	48T52438F04	TR ,2SD601A-S /TX-CP
FRONT-P.W.Board		&1	Q400	48T52438F04	TR ,2SD601A-S /TX-CP
FRONT-P.W.Board			R399	06S55363Y81	RES,RK 472J 1/8 -CP
FRONT-P.W.Board			R400	06S35084Y44	RES,RK 393F 1/8 -CP
FRONT-P.W.Board			R401	06S45674W97	RES,RK 473J 1/10 -CP
FRONT-P.W.Board			R402	06S55361Y66	RES,RK 112J 1/4 -CP
FRONT-P.W.Board			R403	06S70072F47	RES,CP .561-J-1/4-CP
FRONT-P.W.Board			R404	06S70072F47	RES,CP .561-J-1/4-CP
FRONT-P.W.Board		\$1	R405	06S64995F29	RES,RK 101J 1/8 -CP
FRONT-P.W.Board		%1	R405	06S64995F29	RES,RK 101J 1/8 -CP
FRONT-P.W.Board			R407	06S35084Y78	RES,RK 132F 1/8 -CP
FRONT-P.W.Board			R410	06S35084Y28	RES,RK 182F 1/8 -CP
FRONT-P.W.Board			R411	06S35084Y29	RES,RK 222F 1/8 -CP

Mark Model Code

#1 CDE-9872 Only,

\$1 CDE-9872E (General Foreign) Only,

%1 CDE-9872E (Chinese) Only,

&1 CDE-9872L Only,

Others:Common.

NOTE:The part that has not PART NUMBER will not be supplied.

P.W.Board	MIS	MODEL	Ref.	Parts No.	Parts Name
-----------	-----	-------	------	-----------	------------

FRONT-P.W.Board			R412	06S35084Y31	RES,RK 332F 1/8 -CP
FRONT-P.W.Board			R413	06S35084Y64	RES,RK 432F 1/8 -CP
FRONT-P.W.Board			R414	06S35084Y68	RES,RK 752F 1/8 -CP
FRONT-P.W.Board			R415	06S35084Y39	RES,RK 153F 1/8 -CP
FRONT-P.W.Board			R416	06S35084Y78	RES,RK 132F 1/8 -CP
FRONT-P.W.Board			R417	06S35084Y28	RES,RK 182F 1/8 -CP
FRONT-P.W.Board			R418	06S35084Y29	RES,RK 222F 1/8 -CP
FRONT-P.W.Board			R419	06S35084Y31	RES,RK 332F 1/8 -CP
FRONT-P.W.Board			R420	06S35084Y64	RES,RK 432F 1/8 -CP
FRONT-P.W.Board			R421	06S35084Y68	RES,RK 752F 1/8 -CP
FRONT-P.W.Board			R422	06S35084Y39	RES,RK 153F 1/8 -CP
FRONT-P.W.Board			R423	06S35084Y44	RES,RK 393F 1/8 -CP
FRONT-P.W.Board		\$1	R424	06S55363Y65	RES,RK 102J 1/8 -CP
FRONT-P.W.Board		%1	R424	06S55363Y65	RES,RK 102J 1/8 -CP
FRONT-P.W.Board			R426	06S55361Y91	RES,RK 123J 1/4 -CP
FRONT-P.W.Board			R427	06S55361Y64	RES,RK 911J 1/4 -CP
FRONT-P.W.Board		#1	R428	06S55361Y65	RES,RK 102J 1/4 -CP
FRONT-P.W.Board		\$1	R428	06S55362Y39	RES,RK JUMPER 1/4-CP
FRONT-P.W.Board		%1	R428	06S55362Y39	RES,RK JUMPER 1/4-CP
FRONT-P.W.Board		&1	R428	06S55361Y65	RES,RK 102J 1/4 -CP
FRONT-P.W.Board		#1	R429	06S55363Y81	RES,RK 472J 1/8 -CP
FRONT-P.W.Board		&1	R429	06S55363Y81	RES,RK 472J 1/8 -CP
FRONT-P.W.Board			R431	06S55361Y63	RES,RK 821J 1/4 -CP
FRONT-P.W.Board			R432	06S55361Y69	RES,RK 152J 1/4 -CP
FRONT-P.W.Board			R433	06S55361Y57	RES,RK 471J 1/4 -CP
FRONT-P.W.Board			R434	06S55361Y79	RES,RK 392J 1/4 -CP
FRONT-P.W.Board			R435	06S55361Y57	RES,RK 471J 1/4 -CP
FRONT-P.W.Board			R436	06S55361Y61	RES,RK 681J 1/4 -CP
FRONT-P.W.Board			R437	06S55361Y57	RES,RK 471J 1/4 -CP
FRONT-P.W.Board			R438	06S55361Y63	RES,RK 821J 1/4 -CP
FRONT-P.W.Board			R450	06S15593Y87	RES,RK 393F 1/10 -CP
FRONT-P.W.Board			R455	06S55363Y65	RES,RK 102J 1/8 -CP
FRONT-P.W.Board			R456	06S55363Y65	RES,RK 102J 1/8 -CP
FRONT-P.W.Board			R457	06S55363Y65	RES,RK 102J 1/8 -CP
FRONT-P.W.Board			SW400	40T65353Y01	SW,TACT SKRSPACE010E2
FRONT-P.W.Board			SW401	40T65353Y01	SW,TACT SKRSPACE010E2
FRONT-P.W.Board			SW402	40T65353Y01	SW,TACT SKRSPACE010E2
FRONT-P.W.Board			SW403	40T65353Y01	SW,TACT SKRSPACE010E2
FRONT-P.W.Board			SW404	40T65353Y01	SW,TACT SKRSPACE010E2
FRONT-P.W.Board			SW405	40T65353Y01	SW,TACT SKRSPACE010E2
FRONT-P.W.Board			SW406	40T65353Y01	SW,TACT SKRSPACE010E2
FRONT-P.W.Board			SW407	40T65353Y01	SW,TACT SKRSPACE010E2
FRONT-P.W.Board			SW408	40T65353Y01	SW,TACT SKRSPACE010E2

Mark Model Code

#1 CDE-9872 Only,

\$1 CDE-9872E (General Foreign) Only,

%1 CDE-9872E (Chinese) Only,

&1 CDE-9872L Only,

Others:Common.

NOTE:The part that has not PART NUMBER will not be supplied.

P.W.Board	MIS	MODEL	Ref.	Parts No.	Parts Name
FRONT-P.W.Board			SW409	40T65353Y01	SW,TACT SKRSPACE010E2
FRONT-P.W.Board			SW410	40T65353Y01	SW,TACT SKRSPACE010E2
FRONT-P.W.Board			SW411	40T65353Y01	SW,TACT SKRSPACE010E2
FRONT-P.W.Board			SW412	40T65353Y01	SW,TACT SKRSPACE010E2
FRONT-P.W.Board			SW413	40T65353Y01	SW,TACT SKRSPACE010E2
FRONT-P.W.Board			SW414	40T65353Y01	SW,TACT SKRSPACE010E2
FRONT-P.W.Board			SW415	40T65353Y01	SW,TACT SKRSPACE010E2
FRONT-P.W.Board			SW416	40T65353Y01	SW,TACT SKRSPACE010E2
FRONT-P.W.Board			SW417	40T65353Y01	SW,TACT SKRSPACE010E2
FRONT-P.W.Board			ZD402	48-11191Z19	DIO,ZEN MAZ8051GL-CP
Miscellaneous			ET801	09-08316Z01	ASSY,ANID-0045-01A
DP33U8BO			C101	08S45677W42	CAP,CER.181J-CH1H-CP
DP33U8BO			C102	08S45677W42	CAP,CER.181J-CH1H-CP
DP33U8BO			C103	08S45677W42	CAP,CER.181J-CH1H-CP
DP33U8BO			LD101	48-01591Z01	LED,AN1105W-1-TR -CP
DP33U8BO			LD102	48-01591Z01	LED,AN1105W-1-TR -CP
DP33U8BO			LD103	48-01591Z01	LED,AN1105W-1-TR -CP
DP33U8BO			R101	06S45674W51	RES,RK 561J 1/10 -CP
DP33U8BO			R102	06S45674W51	RES,RK 561J 1/10 -CP
DP33U8BO			R103	06S45674W51	RES,RK 561J 1/10 -CP
DP33U8BO			CB101	09-09314Z01	FFC,IMSA9664S-11Y-EQ
DP33U8BO			PT1	48-04836Z01	PHT,TR PS1191RB22-CP
DP33U8BO			PT2	48-04836Z01	PHT,TR PS1191RB22-CP
DP33U8BO			PT3	48-04836Z01	PHT,TR PS1191RB22-CP
DP33U8BO			HD1	EP-01327Z01	EP21A95T
DP33U8BO			M1	66-09123Z07	ASSY,SPDL MTR AOTA
DP33U8BO			M2	66-09123Z08	ASSY,LD-SLED MTR AOTA
DP33U8BO			SW1	40T15494Y16	SW,DETCT SPVG1103-E6

Mark Model Code

#1 CDE-9872 Only,

\$1 CDE-9872E (General Foreign) Only,

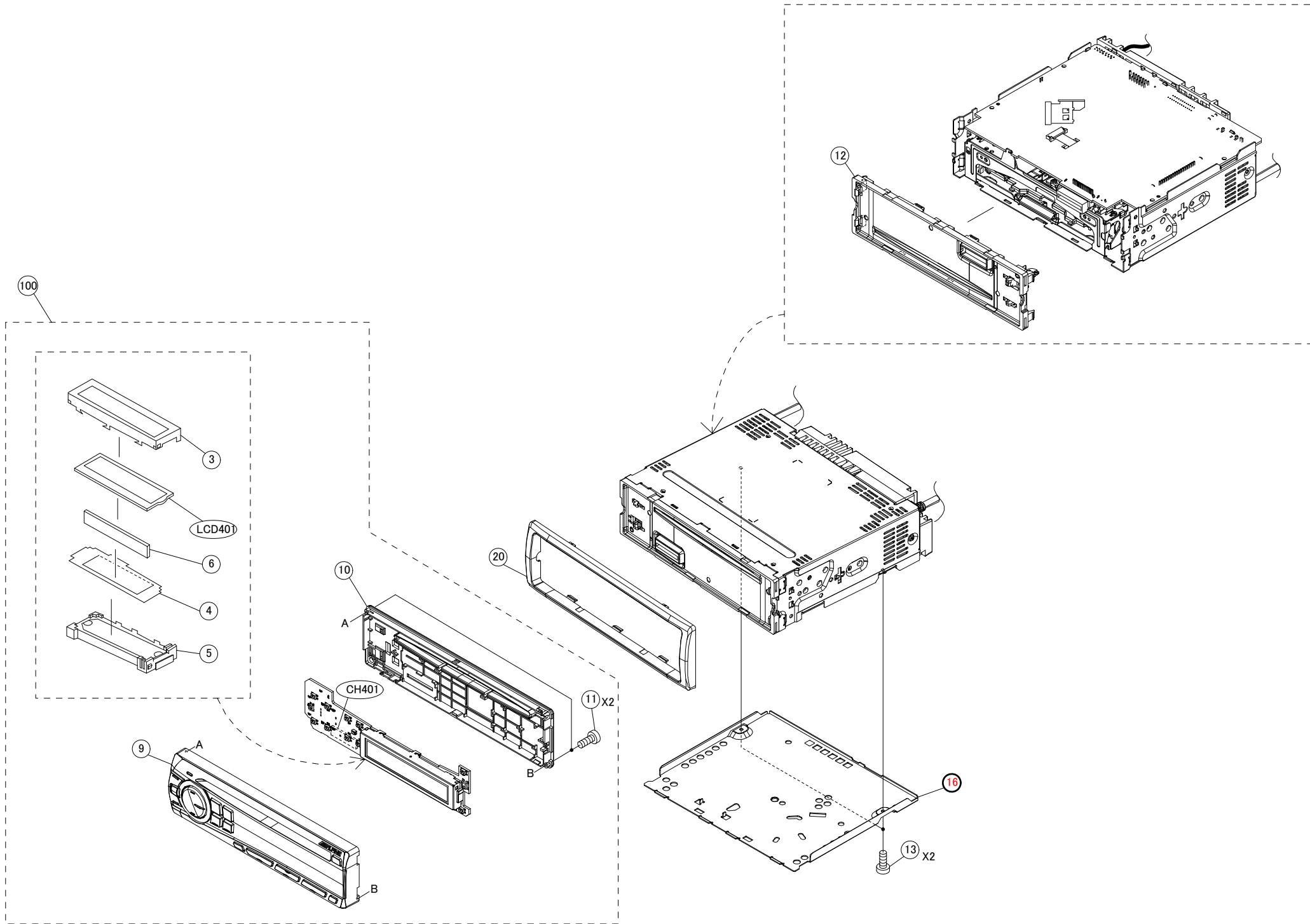
%1 CDE-9872E (Chinese) Only,

&1 CDE-9872L Only,

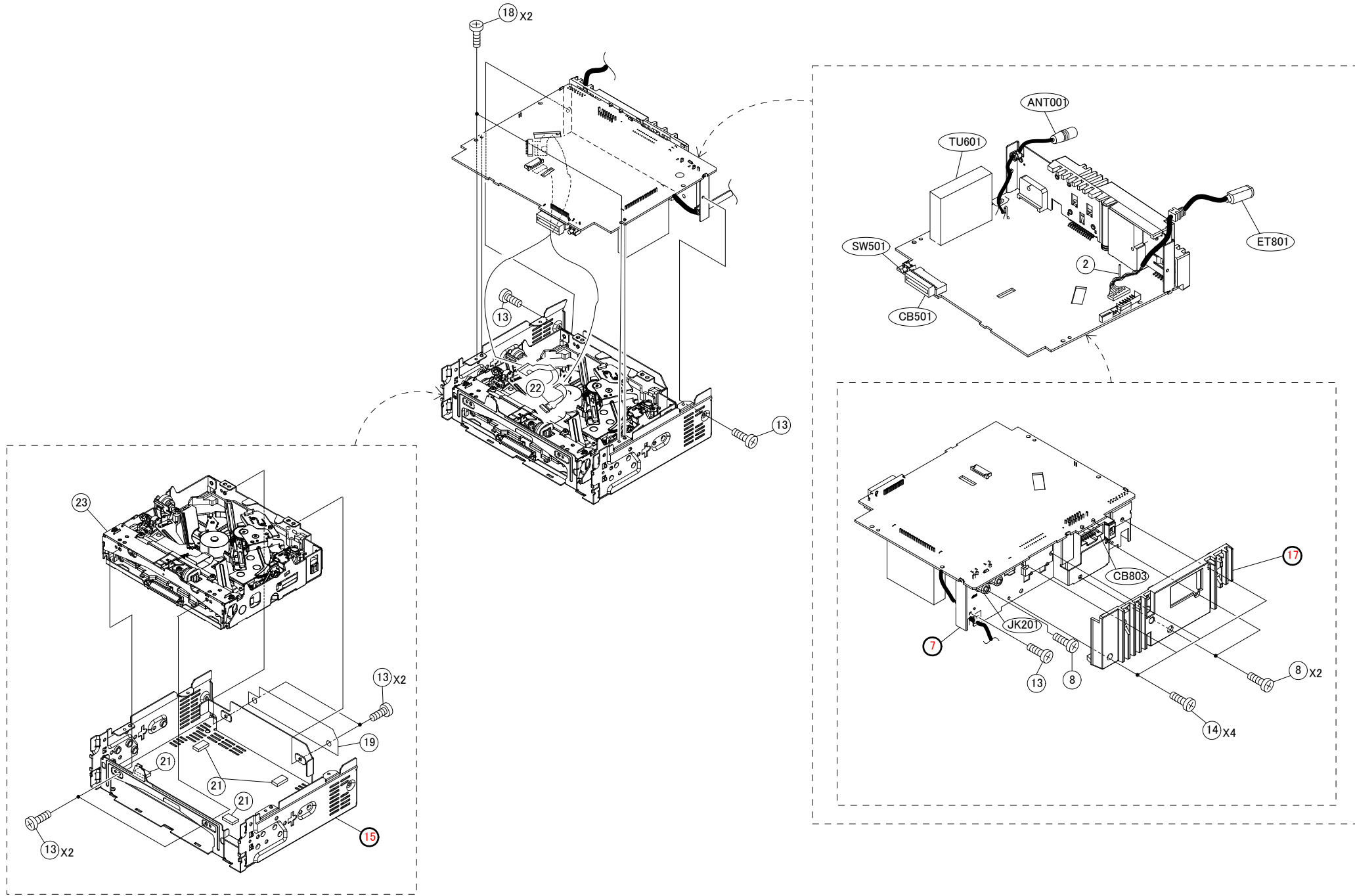
Others:Common.

NOTE:The part that has not PART NUMBER will not be supplied.

Exploded View (Cabinet) (1/2)



Exploded View (Cabinet) (2/2)



MODEL	Symbol No.	Parts No.	Description
	2	09T84840F01	LUG,STYLE 18MM
	3	15-01813Z01	COVER,LCD
	4	26-05513Z01	REFLECTOR,SHEET
	5	15-08596Z01	CASE,LCD ASSY
	6	75-02419Z01	RUBBER,ELECTRIC
	7	-----	BKT,CHAS REAR
	8	03S60825Y04	SCR,B-T 3X8 ZN A
#1	9	13-10936Z01	NOSE,PIECE ASSY(L)
\$1	9	13-10936Z06	NOSE,PIECE ASSY(L)
%1	9	13-10936Z06	NOSE,PIECE ASSY(L)
&1	9	13-10936Z07	NOSE,PIECE ASSY(L)
	10	13-08430Z01	NOSE,BOTTOM
	11	03-02876Z28	SCR,WEV 1.7X7 ZB A
	12	13-08439Z01	NOSE,BASE ASSY
	13	03S60822Y12	SCR,S-T 2.6X6 ZN A
	14	03S60822Y22	SCR,S-T 2.6X14 ZN A
	15	-----	CHAS BASE TOP
	16	-----	COVER,BOTTOM
	17	-----	HEAT,SINK(A)
	18	03T25225Y01	SCR,GND
	19	14-08597Z01	INS,REAR
	20	33C04102K01	FACE,PLATE
	21	75-06068Z34	CUS,RUB 10X5XT1.65
	22	84-09445Z01	FPC,11PIN MECH
	23	DP-08135Z01	DP33U8B0
#1	100	SU-12385Z01	SERVICE_NOSE_9872
\$1	100	SU-12386Z01	SERVICE_NOSE_9872E
%1	100	SU-12386Z01	SERVICE_NOSE_9872E
&1	100	SU-12388Z01	SERVICE_NOSE_9872L
	ANT001	01T02127K08	ASSY,ANT CABLE 9805A
	CB501	09-05560Z01	BTB,DF15-S -DB
#1	CB803	24-02502Z02	ASSY,W277A001 -DB
\$1	CB803	24-05301Z01	ASSY,NLT2010 -DB
%1	CB803	24-05301Z01	ASSY,NLT2010 -DB
&1	CB803	24-02502Z02	ASSY,W277A001 -DB
	CH401	09-05559Z01	BTB,DF15-P -B
	ET801	09-08316Z01	ASSY,ANID-0045-01A
	JK201	09-11354Z01	RCA,YKC21-4818N -DB
	LCD401	65-09016Z01	LCD,TB0155M0TTN-F
	SW501	40T16096W03	SW ,TACT SKHHLW
	TU601	TU-00887Z02	TUNER,MX-A196

Mark Model Code

#1 CDE-9872 Only,

\$1 CDE-9872E (General Foreign) Only,

%1 CDE-9872E (Chinese) Only,

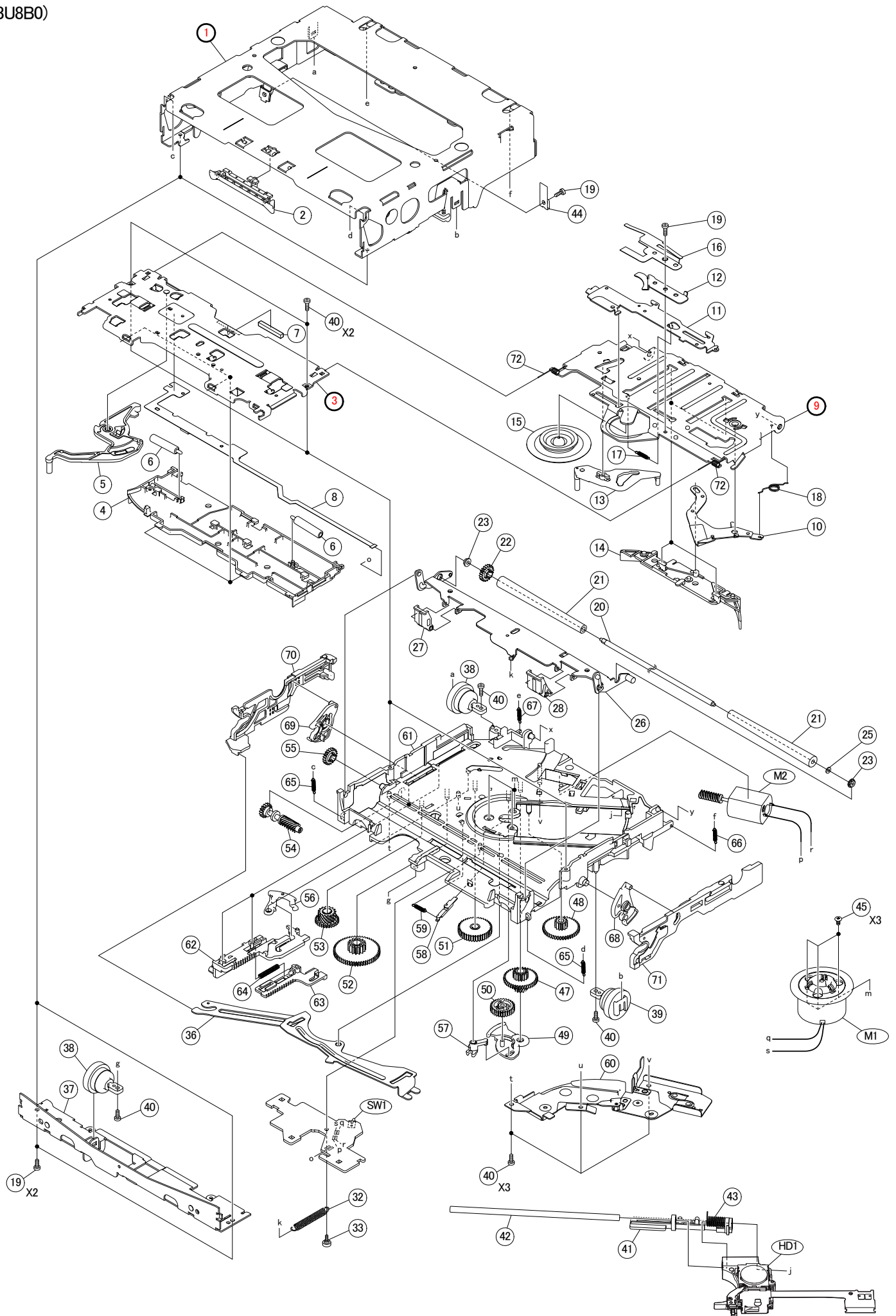
&1 CDE-9872L Only,

Others:Common.

NOTE:The part that has not PART NUMBER will not be supplied.

Exploded View(CD Deck Mechanism)

(DP33U8B0)



MODEL	Symbol No.	Parts No.	Description
	1	-----	CHAS,BASE DP-U
	2	15-08614Z01	GUIDE, TOP 2 DP-U
	3	-----	CHAS, TOP DP-U
	4	15-08613Z01	GUIDE, TOP DP-U
	5	45-08629Z01	LEVER, DISC DP-U
	6	49-08644Z01	ROLLER, TOP
	7	14-06145Z26	INS, CVR 12X2.7XT2
	8	84-05912Z01	FPC, PHOTO DP-U
	9	-----	ARM, CLAMP DP-U
	10	45-04869Z02	LEVER, RETURN
	11	45-08656Z01	LEVER, LOCK 8CM DP-U
	12	07-04871Z02	BKT, CLAMPER
	13	45-08635Z01	LEVER, ACTUATOR DP-U
	14	45-08636Z01	SLIDER, DISC DP-U
	15	43-08616Z01	TABLE, CLAMPER DP-U
	16	41-05525Z02	SPG, CLAMPER THRUST
	17	41-05867Z08	SPRING, LEV. LOCK 8CM
	18	41A11609Y02	SPRING, LEVER
	19	03S60822Y43	SCR, S-T 2X3 ZN A
	20	47-04894Z01	SHAFT, ROLLER DP-U
	21	49-07008Z02	ROLLER, DP-U
	22	44-08626Z01	GEAR, ROLLER
	23	43-08617Z01	BUSH, ROLLER DP-U
	25	04S40075G88	WAS, LOC 1.7X4.5X0.25
	26	45-08511Z01	ARM, DISC GUIDE AOTA
	27	45-08642Z01	ARM, FENCE L
	28	45-08643Z01	ARM, FENCE R
	32	41-05867Z11	SPRING, ROLLER AOTA 2
	33	03-10564Z01	SCR, SPG. ROLLER AOTA2
	36	45-08510Z01	LEVER, LINK DRIVE
	37	07-04867Z02	BKT, DAMPER
	38	75-03979Z03	DAMPER, DP-U Z03
	39	75-03979Z04	DAMPER, DP-U Z04
	40	03S70693Y06	SCR, P-T 2X6 ZB A
	41	44-08628Z01	RACK, SLED
	42	47-04895Z01	SHAFT, PICK DP-U
	43	41-05866Z01	SPRING, SLED
	44	41-09325Z01	SPRING, RATTLE L
	45	03S60820Y72	SCR, MCH 1.7X3 ZN A
	47	44-08618Z01	GEAR, A
	48	44-08619Z01	GEAR, B
	49	45-08631Z01	LEVER, TIMING GEAR
	50	44-08620Z01	GEAR, C
	51	44-08621Z01	GEAR, D
	52	44-08622Z01	GEAR, E

Mark Model Code

#1 CDE-9872 Only,

\$1 CDE-9872E (General Foreign) Only,

%1 CDE-9872E (Chinese) Only,

&1 CDE-9872L Only,

Others: Common.

NOTE: The part that has not PART NUMBER will not be supplied.

MODEL	Symbol No.	Parts No.	Description
	53	44-08623Z01	GEAR,F
	54	44-08624Z01	GEAR,G
	55	44-09654Z01	GEAR,H-2
	56	45-08632Z01	LEVER,LOCK DP-U
	57	45-08630Z01	LEVER,TIMING PICK
	58	45-08641Z01	LEVER,SPINDLE
	59	41-05867Z05	SPRING,SPINDLE
	60	07-05523Z02	ASSY,RIV COVER MTR
	61	27-08330Z01	CHAS,PICK DP-U AOTA
	62	45-08633Z01	SLIDER,LOAD DP-U
	63	45-08634Z01	SLIDER,TIMING_LOAD
	64	41-05874Z01	SPRING,TIMING
	65	41-05867Z02	SPRING,DRIVE F
	66	41-05867Z03	SPRING,DRIVE RR
	67	41-05867Z04	SPRING,DRIVE RL
	68	45-08639Z01	ARM,LOCK R DP-U
	69	45-08637Z01	ARM,LOCK L DP-U
	70	45-08638Z01	SLIDER,LOCK L DP-U
	71	45-08640Z01	SLIDER,LOCK R DP-U
	72	41-05871Z01	SPRING,ARM CLAMP
	HD1	EP-01327Z01	EP21A95T
	M1	66-09123Z07	ASSY,SPDL MTR AOTA
	M2	66-09123Z08	ASSY,LD-SLED MTR AOTA
	SW1	40T15494Y16	SW,DETCT SPVG1103-E6

Mark Model Code

#1 CDE-9872 Only,

\$1 CDE-9872E (General Foreign) Only,

%1 CDE-9872E (Chinese) Only,

&1 CDE-9872L Only,

Others:Common.

NOTE:The part that has not PART NUMBER will not be supplied.