

TK-2302/2302(V)/2306

PARTS LIST

* New Parts. Δ indicates safety critical components.

Parts without **Parts No.** are not supplied.

Les articles non mentionnés dans le **Parts No.** ne sont pas fournis.

Teile ohne **Parts No.** werden nicht geliefert.

L : Scandinavia

Y : PX (Far East, Hawaii)

Y : AAFES (Europe)

K : USA

T : England

X : Australia

P : Canada

E : Europe

M : Other Areas

TK-2302/2302(V)/2306 (Y50-634X-XX)

TX-RX UNIT (X57-7570-20)

Ref. No.	Address	New parts	Parts No.	Description	Destination
TK-2302/2302(V)/2306					
1	1A	*	A02-4040-03	PLASTIC CABINET ASSY	
2	3A	*	A10-4124-01	CHASSIS	
4	2C,2E	*	B09-0725-03	CAP ACCESSORY	
7	1C	*	B62-2109-00	INSTRUCTION MANUAL	AK,AM
7	1C	*	B62-2111-00	INSTRUCTION MANUAL	BM
7	1C,1E	*	B62-2139-00	INSTRUCTION MANUAL	AP,VK
9	1A		D10-0649-03	LEVER	
10	1A		D21-0863-04	SHAFT	
11	1A		D32-0441-13	STOPPER	
13	2B		E04-0477-05	ANTENNA CONNECTOR (SMA)	
14	3A		E23-1253-04	TERMINAL (BATT-)	
15	2A		E23-1254-04	TERMINAL (BATT+)	
16	2B	*	E37-1175-15	SP WIRE LEAD (BROWN)	
17	2B	*	E37-1176-15	SP WIRE LEAD (GREEN)	
19	3A		F20-3353-14	INSULATING SHEET (CHASSIS BATT+)	
21	1A		G01-4542-04	COIL SPRING (LEVER)	
22	1A		G01-4543-14	COIL SPRING (STOPPER)	
23	2A		G10-1330-04	FIBROUS SHEET (AUDIO IC)	
24	2A	*	G11-4465-04	RUBBER SHEET (FINAL FET)	
25	3B		G13-2009-04	CUSHION (CHASSIS)	
26	3A		G13-2033-04	CUSHION (BATT-)	
27	3A		G13-2034-14	CUSHION (CHASSIS-)	
28	3A		G13-2038-24	CUSHION (CHASSIS-CERAMIC FILTER)	
29	2A		G13-2039-14	CUSHION (PCB-CERAMIC FILTER)	
30	3A		G53-1604-03	PACKING (CHASSIS)	
31	2A		G53-1605-03	PACKING (BATT+)	
32	2A		G53-1609-14	PACKING (ECM)	
33	2B	*	G53-1799-03	PACKING (VOLUME/SELECTOR)	
34	1B	*	G53-1800-03	PACKING (SP/MIC)	
35	1B	*	G53-1801-03	PACKING (SPEAKER)	
36	2B	*	G53-1802-04	PACKING (SMA)	
38	2E	*	H12-4250-05	PACKING FIXTURE	AP
39	2D	*	H12-4251-05	PACKING FIXTURE	AK,VK,BM
39	2D	*	H12-4251-05	PACKING FIXTURE	AM
40	1F		H13-2109-03	CARTON BOARD	AP
42	3D	*	H52-2300-03	ITEM CARTON CASE	AK,VK,BM
42	3D	*	H52-2300-03	ITEM CARTON CASE	AM
43	3F	*	H52-2301-13	ITEM CARTON CASE	AP
46	2A		J19-5463-03	HOLDER (BATT+)	
47	2A		J19-5473-03	HOLDER ASSY (BATT+)	
48	2C,2E	*	J19-5521-03	HOLDER (SP/MIC) ACCESSORY	
49	2B	*	J19-5522-03	SPEAKER CLASP	
50	2C,1E		J29-0734-05	BELT HOOK ACCESSORY	
51	2A	*	J82-0121-05	FPC	
52	1A	*	J99-0737-04	ADHESIVE SHEET (PTT)	
54	1B	*	K29-9309-13	KNOB (VOLUME)	
55	1A	*	K29-9425-03	BUTTON KNOB (PTT)	
56	1A	*	K29-9426-03	BUTTON KNOB (MON/PF)	
57	1B	*	K29-9427-03	KNOB (SELECTOR)	
A	3B	*	N14-0848-05	CIRCULAR NUT (SELECTOR)	

Ref. No.	Address	New parts	Parts No.	Description	Destination
B	3B	*	N14-0849-05	CIRCULAR NUT (VOLUME)	
C	2B		N30-2604-48	PAN HEAD MACHINE SCREW (SMA)	
D	3A		N30-2606-48	PAN HEAD MACHINE SCREW	
E	2A,3A,2B		N83-2005-48	PAN HEAD TAPTITE SCREW	
61	2C,2E		N99-2046-05	SCREW SET ACCESSORY	
63	2A	*	R31-0670-15	VARIABLE RESISTOR	
65	2A	*	S60-0440-05	ROTARY SWITCH	
67	1B		T07-0369-15	SPEAKER	
68	2D,2E		T90-1036-15	HELICAL ANTENNA	
70	1F		W08-0970-35	AC ADAPTER (TRANSFORMER)	AP
71	1C		W08-0988-05	CHARGER (KSC-35)	AK,VK,AM
72	1D		W08-0989-15	AC ADAPTER (SWITCHING)	AK,VK
73	1D		W08-0992-05	AC ADAPTER (SWITCHING)	AM
74	1C,2F	*	W08-1067-05	CHARGER (KCS-31)	AP,BM
75	1D	*	W08-1075-05	AC ADAPTER (SWITCHING)	BM

TX-RX UNIT (X57-7570-20)

D303		*	B30-2315-05	LED (RED)	
D304		*	B30-2314-05	LED (GREEN)	
C1			CK73HB1H332K	CHIP C 3300PF	K
C2			CK73HB1C682K	CHIP C 6800PF	K
C3			CK73GB1A105K	CHIP C 1.0UF	K
C4			CK73HB1A104K	CHIP C 0.10UF	K
C5			CK73HB1H102K	CHIP C 1000PF	K
C6			CK73HB1E103K	CHIP C 0.010UF	K
C7			CC73HCH1H100D	CHIP C 10PF	D
C8-10			CC73HCH1H101J	CHIP C 100PF	J
C11			CK73FB0J106K	CHIP C 10UF	K
C12			CK73HB1H102K	CHIP C 1000PF	K
C13			CC73HCH1H100D	CHIP C 10PF	D
C14,15			CK73HB1E103K	CHIP C 0.010UF	K
C16			CC73HCH1H470J	CHIP C 47PF	J
C17			CK73HB1E103K	CHIP C 0.010UF	K
C18			CC73HCH1H180J	CHIP C 18PF	J
C23			CK73HB1E103K	CHIP C 0.010UF	K
C25			CC73HCH1H300J	CHIP C 30PF	J
C26			CC73HCH1H020B	CHIP C 2.0PF	B
C27			CS77AA1VR33M	CHIP TNTL 0.33UF	35WV
C29			CC73HCH1H270J	CHIP C 27PF	J
C30			CK73HB1H102K	CHIP C 1000PF	K
C31			CK73HB1E103K	CHIP C 0.010UF	K
C32			CS77CA1C3R3M	CHIP TNTL 3.3UF	16WV
C33			CK73HB1H471K	CHIP C 470PF	K
C35			CS77CA1V0R1M	CHIP TNTL 0.1UF	35WV
C36			CK73HB1H332K	CHIP C 3300PF	K
C39			CK73HB1C682K	CHIP C 6800PF	K
C40			CC73HCH1H060B	CHIP C 6.0PF	B
C41			CC73HCH1H040B	CHIP C 4.0PF	B
C42			CC73HCH1H060B	CHIP C 6.0PF	B

PARTS LIST

TX-RX UNIT (X57-7570-20)

Ref. No.	Address	New parts	Parts No.	Description	Desti-nation	Ref. No.	Address	New parts	Parts No.	Description	Desti-nation
C44,45			CK73GB1A105K	CHIP C 1.0UF K		C146			CC73GCH1H070B	CHIP C 7.0PF B	
C47			CC73HCH1H150J	CHIP C 15PF J		C148			CK73HB1H102K	CHIP C 1000PF K	
C49			CC73HCH1H0R5B	CHIP C 0.5PF B		C149			CC73GCH1H220J	CHIP C 22PF J	
C50			CK73HB1H471K	CHIP C 470PF K		C150			CK73GB1H102K	CHIP C 1000PF K	
C51			CC73HCH1H100D	CHIP C 10PF D		C151			CC73GCH1H100D	CHIP C 10PF D	
C52			CC73HCH1H121J	CHIP C 120PF J		C152			CC73GCH1H110J	CHIP C 11PF J	
C53			CC73HCH1H181J	CHIP C 180PF J		C153			CC73GCH1H100D	CHIP C 10PF D	
C56			CC73HCH1H060B	CHIP C 6.0PF B		C154			CC73GCH1H180J	CHIP C 18PF J	
C57			CC73HCH1H090B	CHIP C 9.0PF B		C155			CC73GCH1H120J	CHIP C 12PF J	
C58			CC73HCH1H020B	CHIP C 2.0PF B		C156			CC73GCH1H150J	CHIP C 15PF J	
C59			CC73HCH1H2R5B	CHIP C 2.5PF B		C157			CC73HCH1H330J	CHIP C 33PF J	
C60		*	CC73HCH1H4R5B	CHIP C 4.5PF B		C158			CC73GCH1H070B	CHIP C 7.0PF B	
C61			CC73HCH1H050B	CHIP C 5.0PF B		C201			CK73GB1C224K	CHIP C 0.22UF K	
C62			CK73HB1H471K	CHIP C 470PF K		C202			CK73FB0J106K	CHIP C 10UF K	
C63			CC73HCH1H050B	CHIP C 5.0PF B		C203			CK73HB1E103K	CHIP C 0.010UF K	
C64			CC73HCH1H060B	CHIP C 6.0PF B		C204			CK73HB1H102K	CHIP C 1000PF K	
C65			CC73HCH1H050B	CHIP C 5.0PF B		C205			CK73HB1H182K	CHIP C 1800PF K	
C66			CK73HB1H471K	CHIP C 470PF K		C206,207			CK73HB1H561K	CHIP C 560PF K	
C67			CC73HCH1H060B	CHIP C 6.0PF B		C208			CK73HB1A104K	CHIP C 0.10UF K	
C68			CK73HB1H471K	CHIP C 470PF K		C209			CC73HCH1H680J	CHIP C 68PF J	
C70,71			CC73HCH1H0R5B	CHIP C 0.5PF B		C210,211			CK73HB1A104K	CHIP C 0.10UF K	
C72,73			CK73HB1A104K	CHIP C 0.10UF K		C212			CK73HB1H102K	CHIP C 1000PF K	
C74			CK73HB1H102K	CHIP C 1000PF K		C213,214			CK73HB1A104K	CHIP C 0.10UF K	
C75			CK73HB1H471K	CHIP C 470PF K		C215			CC73HCH1H020B	CHIP C 2.0PF B	
C76			CS77CPOJ100M	CHIP TNL 10UF 6.3WV		C216,217			CK73HB1E103K	CHIP C 0.010UF K	
C77			CK73HB1H102K	CHIP C 1000PF K		C220			CC73HCH1H010B	CHIP C 1.0PF B	
C78			CC73HCH1H330J	CHIP C 33PF J		C221			CC73HCH1H120J	CHIP C 12PF J	
C79,80			CK73HB1H471K	CHIP C 470PF K		C223			CC73HCH1H070B	CHIP C 7.0PF B	
C81			CC73HCH1H150J	CHIP C 15PF J		C224			CC73HCH1H060B	CHIP C 6.0PF B	
C82,83			CK73HB1H471K	CHIP C 470PF K		C225			CK73HB1E103K	CHIP C 0.010UF K	
C84			CK73HB1H102K	CHIP C 1000PF K		C226			CC73HCH1H130J	CHIP C 13PF J	
C86-88			CK73HB1H102K	CHIP C 1000PF K		C227			CC73HCH1H070B	CHIP C 7.0PF B	
C89			CC73HCH1H101J	CHIP C 100PF J		C228			CK73HB1A104K	CHIP C 0.10UF K	
C101			CK73HB1H102K	CHIP C 1000PF K		C229			CC73HCH1H060B	CHIP C 6.0PF B	
C102			CC73HCH1H390J	CHIP C 39PF J		C230			CK73HB1E103K	CHIP C 0.010UF K	
C103			CK73GB1A105K	CHIP C 1.0UF K		C231			CK73HB1H102K	CHIP C 1000PF K	
C106,107			CK73HB1H102K	CHIP C 1000PF K		C232			CC73HCH1H120J	CHIP C 12PF J	
C108			CC73HCH1H390J	CHIP C 39PF J		C233			CK73HB1H102K	CHIP C 1000PF K	
C109			CK73HB1A104K	CHIP C 0.10UF K		C235			CK73HB1E103K	CHIP C 0.010UF K	
C110			CK73HB1H102K	CHIP C 1000PF K		C236			CK73HB1H102K	CHIP C 1000PF K	
C114			CK73HB1H102K	CHIP C 1000PF K		C237			CC73HCH1H060B	CHIP C 6.0PF B	
C118			CK73HB1H102K	CHIP C 1000PF K		C238			CK73HB1H102K	CHIP C 1000PF K	
C119			CC73HCH1H270J	CHIP C 27PF J		C243			CK73FB0J106K	CHIP C 10UF K	
C120			CK73HB1H102K	CHIP C 1000PF K		C244			CC73HCH1H030B	CHIP C 3.0PF B	
C122,123			CK73HB1H102K	CHIP C 1000PF K		C245			CK73HB1H102K	CHIP C 1000PF K	
C124			CK73GB1A105K	CHIP C 1.0UF K		C246			CC73HCH1H560J	CHIP C 56PF J	
C125			CK73HB1E103K	CHIP C 0.010UF K		C247			CC73HCH1H030B	CHIP C 3.0PF B	
C127			CK73GB1A105K	CHIP C 1.0UF K		C248			CK73HB1H102K	CHIP C 1000PF K	
C129,130			CK73HB1H102K	CHIP C 1000PF K		C249			CC73HCH1H2R5B	CHIP C 2.5PF B	
C131			CC73HCH1H101J	CHIP C 100PF J		C250			CC73HCH1H560J	CHIP C 56PF J	
C132			CC73GCH1H100D	CHIP C 10PF D		C251			CC73GCH1H050B	CHIP C 5.0PF B	
C134			CK73HB1H102K	CHIP C 1000PF K		C252			CK73HB1H102K	CHIP C 1000PF K	
C135			CK73HB1A104K	CHIP C 0.10UF K		C254,255			CK73HB1H102K	CHIP C 1000PF K	
C136			CK73HB1H471K	CHIP C 470PF K		C257			CC73HCH1H390J	CHIP C 39PF J	
C138			CC73GCH1H270J	CHIP C 27PF J		C258			CC73HCH1H040B	CHIP C 4.0PF B	
C139			CC73GCH1H680J	CHIP C 68PF J		C259			CC73HCH1H560J	CHIP C 56PF J	
C140			CK73HB1H102K	CHIP C 1000PF K		C260			CC73HCH1H040B	CHIP C 4.0PF B	
C141			CC73GCH1H270J	CHIP C 27PF J		C261			CK73HB1H102K	CHIP C 1000PF K	
C143			CC73GCH1H130J	CHIP C 13PF J		C262			CC73HCH1H040B	CHIP C 4.0PF B	
C145			CC73GCH1H820J	CHIP C 82PF J		C263			CC73HCH1H560J	CHIP C 56PF J	

PARTS LIST

TX-RX UNIT (X57-7570-20)

Ref. No.	Address	New parts	Parts No.	Description	Destination	Ref. No.	Address	New parts	Parts No.	Description	Destination
C264			CC73HCH1H050B	CHIP C 5.0PF B		C400			CK73FB0J106K	CHIP C 10UF K	
C265			CC73HCH1H300J	CHIP C 30PF J		C402			CK73HB1A104K	CHIP C 0.10UF K	
C303			CK73HB1H102K	CHIP C 1000PF K		C403			CK73HB1A473J	CHIP C 0.047UF J	
C304			CK73HB1A104K	CHIP C 0.10UF K		C404			CS77CC0J101M	CHIP TNL 100UF 6.3WV	
C305			CC73HCH1H101J	CHIP C 100PF J		C405			CC73HCH1H221J	CHIP C 220PF J	
C306			CK73GB1A105K	CHIP C 1.0UF K		C408			CK73HB1H102K	CHIP C 1000PF K	
C307			CC73HCH1H101J	CHIP C 100PF J		C413-415			CK73HB1H102K	CHIP C 1000PF K	
C310			CK73GB1A105K	CHIP C 1.0UF K		C418			CC73HCH1H390J	CHIP C 39PF J	
C311			CC73HCH1H101J	CHIP C 100PF J		TC1.2			C05-0384-05	CERAMIC TRIMMER CAP (10PF)	
C312			CK73HB1H102K	CHIP C 1000PF K		CN301			E40-6573-05	FLAT CABLE CONNECTOR	
C313			CC73HCH1H101J	CHIP C 100PF J		J301			E11-0703-05	PHONE JACK (2.5/3.5)	
C315			CC73HCH1H101J	CHIP C 100PF J		F301			F53-0324-05	FUSE (2.5A)	
C316			CK73HB1H102K	CHIP C 1000PF K		101	2A		J30-1282-14	SPACER	
C318			CK73HB1E103K	CHIP C 0.010UF K		CD201			L79-1866-05	TUNING COIL	
C319,320			CK73HB1H102K	CHIP C 1000PF K		CF201	2A		L72-0973-05	CERAMIC FILTER	
C321			CK73GB1A105K	CHIP C 1.0UF K		L1			L92-0138-05	CHIP FERRITE	
C322			CK73HB1H102K	CHIP C 1000PF K		L2			L40-4791-86	SMALL FIXED INDUCTOR (4.7UH)	
C323			CK73GB1A105K	CHIP C 1.0UF K		L4			L40-5681-86	SMALL FIXED INDUCTOR (0.56UH)	
C325			CK73HB1H102K	CHIP C 1000PF K		L6			L40-5681-86	SMALL FIXED INDUCTOR (0.56UH)	
C327			CK73HB1H102K	CHIP C 1000PF K		L7			L92-0138-05	CHIP FERRITE	
C331			CK73HB1A104K	CHIP C 0.10UF K		L8			L40-1875-71	SMALL FIXED INDUCTOR (18NH)	
C332			CC73HCH1H050B	CHIP C 5.0PF B		L9			L92-0470-05	CHIP FERRITE	
C334			CK73HB1E103K	CHIP C 0.010UF K		L10,11			L40-1885-92	SMALL FIXED INDUCTOR (180NH)	
C335			CK73FB0J106K	CHIP C 10UF K		L12			L40-3375-71	SMALL FIXED INDUCTOR (33NH)	
C337			CC73HCH1H050B	CHIP C 5.0PF B		L13,14			L40-1885-92	SMALL FIXED INDUCTOR (180NH)	
C339			CK73GB1A105K	CHIP C 1.0UF K		L15			L40-3378-67	SMALL FIXED INDUCTOR (33NH)	
C341			CK73HB1H102K	CHIP C 1000PF K		L16			L40-2278-67	SMALL FIXED INDUCTOR (22NH)	
C353,354			CK73HB1E103K	CHIP C 0.010UF K		L17,18			L41-2785-45	SMALL FIXED INDUCTOR (270NH)	
C356			CK73HB1H102K	CHIP C 1000PF K		L19,20			L40-1885-92	SMALL FIXED INDUCTOR (180NH)	
C358			CK73GB1C224K	CHIP C 0.22UF K		L21			L92-0138-05	CHIP FERRITE	
C359			CK73FB0J106K	CHIP C 10UF K		L22			L40-3975-71	SMALL FIXED INDUCTOR (39NH)	
C360			CK73HB1A104K	CHIP C 0.10UF K		L23			L92-0138-05	CHIP FERRITE	
C361			CK73GB1A105K	CHIP C 1.0UF K		L24			L40-8275-71	SMALL FIXED INDUCTOR (82NH)	
C362			CK73HB1H102K	CHIP C 1000PF K		L102			L40-4775-71	SMALL FIXED INDUCTOR (47NH)	
C363			CC73HCH1H820J	CHIP C 82PF J		L103			L41-1585-45	SMALL FIXED INDUCTOR (150NH)	
C364			CC73HCH1H120J	CHIP C 12PF J		L104	*		L92-0472-05	CHIP FERRITE	
C365			CC73HCH1H121J	CHIP C 120PF J		L105			L40-2275-92	SMALL FIXED INDUCTOR (22NH)	
C366			CK73HB1A104K	CHIP C 0.10UF K		L106			L34-4577-05	AIR-CORE COIL	
C367			CK73GB1A105K	CHIP C 1.0UF K		L107	*		L92-0472-05	CHIP FERRITE	
C368			CK73HB1H271K	CHIP C 270PF K		L108			L34-4563-05	AIR-CORE COIL	
C369,370			CK73HB1A104K	CHIP C 0.10UF K		L109			L34-4573-05	AIR-CORE COIL	
C371			CK73FB0J106K	CHIP C 10UF K		L110			L34-4575-05	AIR-CORE COIL	
C372			CK73HB1H102K	CHIP C 1000PF K		L111	*		L41-6885-39	SMALL FIXED INDUCTOR (0.68UH)	
C373			CC73HCH1H121J	CHIP C 120PF J		L112			L34-4576-05	AIR-CORE COIL	
C374-376			CK73HB1H102K	CHIP C 1000PF K		L113			L34-4575-05	AIR-CORE COIL	
C377			CK73HB1A683K	CHIP C 0.068UF K		L114			L34-4567-05	AIR-CORE COIL	
C378			CC73HCH1H820J	CHIP C 82PF J		L115			L40-1275-92	SMALL FIXED INDUCTOR (12NH)	
C379,380			CK73GB1A105K	CHIP C 1.0UF K		L116			L34-4566-05	AIR-CORE COIL	
C381			CK73HB1H391K	CHIP C 390PF K		L117			L41-1092-44	SMALL FIXED INDUCTOR (1UH)	
C382			CK73HB1C153K	CHIP C 0.015UF K		L201			L40-1091-86	SMALL FIXED INDUCTOR (1.0UH)	
C383-385			CK73HB1A104K	CHIP C 0.10UF K		L202,203			L40-3975-71	SMALL FIXED INDUCTOR (39NH)	
C386			CK73HB1E103K	CHIP C 0.010UF K		L204			L92-0138-05	CHIP FERRITE	
C388,389			CK73HB1H102K	CHIP C 1000PF K		L205			L41-5685-39	SMALL FIXED INDUCTOR (0.56UH)	
C390,391			CK73GB1A105K	CHIP C 1.0UF K		L206			L40-1885-92	SMALL FIXED INDUCTOR (180NH)	
C392			CK73HB1A333K	CHIP C 0.033UF K		L207			L40-1085-92	SMALL FIXED INDUCTOR (100NH)	
C393			CK73FB0J106K	CHIP C 10UF K		L209			L41-5678-14	SMALL FIXED INDUCTOR (56NH)	
C395			CC73HCH1H221J	CHIP C 220PF J		L210			L92-0138-05	CHIP FERRITE	
C396			CK73HB1A104K	CHIP C 0.10UF K		L211			L41-5678-14	SMALL FIXED INDUCTOR (56NH)	
C397			CK73GB1C474K	CHIP C 0.47UF K							
C399			CC73HCH1H101J	CHIP C 100PF J							

PARTS LIST

TX-RX UNIT (X57-7570-20)

Ref. No.	Address	New parts	Parts No.	Description	Destination	Ref. No.	Address	New parts	Parts No.	Description	Destination
L213			L41-5678-14	SMALL FIXED INDUCTOR (56NH)		R104			RK73HB1J220J	CHIP R 22 J 1/16W	
L214			L41-2778-14	SMALL FIXED INDUCTOR (27NH)		R105			RK73HB1J331J	CHIP R 330 J 1/16W	
L216			L41-2778-14	SMALL FIXED INDUCTOR (27NH)		R106			RK73HB1J180J	CHIP R 18 J 1/16W	
L301		*	L92-0472-05	CHIP FERRITE		R107			RK73HB1J331J	CHIP R 330 J 1/16W	
L302-304			L92-0138-05	CHIP FERRITE		R108			RK73HB1J473J	CHIP R 47K J 1/16W	
L305			L92-0140-05	CHIP FERRITE		R109			RK73HB1J271J	CHIP R 270 J 1/16W	
L306			L40-2775-71	SMALL FIXED INDUCTOR (27NH)		R110			RK73HB1J104J	CHIP R 100K J 1/16W	
X1		*	L77-3042-05	TCXO (12.8MHZ)		R111			RK73HB1J822J	CHIP R 8.2K J 1/16W	
X301		*	L78-1433-05	RESONATOR (14.746MHZ)		R113			RK73HB1J331J	CHIP R 330 J 1/16W	
XF201			L71-0619-05	MCF (38.85MHZ/6.5KH)		R114			RK73GB2A000J	CHIP R 0.0 J 1/10W	
CP1			RK75HA1J101J	CHIP-COM 100 J 1/16W		R116			RK73HB1J000J	CHIP R 0.0 J 1/16W	
CP201			RK75HA1J104J	CHIP-COM 100K J 1/16W		R117			RK73EB2ER39K	CHIP R 0.39 K 1/4W	
CP202			RK75HA1J474J	CHIP-COM 470K J 1/16W		R118			RK73HB1J222J	CHIP R 2.2K J 1/16W	
CP203			RK75HA1J104J	CHIP-COM 100K J 1/16W		R119			RK73HB1J473J	CHIP R 47K J 1/16W	
CP204			RK75HA1J474J	CHIP-COM 470K J 1/16W		R120			RK73EB2ER39K	CHIP R 0.39 K 1/4W	
CP301,302			RK75HA1J473J	CHIP-COM 47K J 1/16W		R121			RK73HB1J470J	CHIP R 47 J 1/16W	
CP303,304			RK75HA1J102J	CHIP-COM 1.0K J 1/16W		R122			RK73HB1J104J	CHIP R 100K J 1/16W	
R1			RK73HB1J223J	CHIP R 22K J 1/16W		R123			RK73EB2ER39K	CHIP R 0.39 K 1/4W	
R2			RK73HB1J103J	CHIP R 10K J 1/16W		R124,125			RK73GH2A154D	CHIP R 150K D 1/10W	
R3			RK73HB1J473J	CHIP R 47K J 1/16W		R126,127			RK73GH2A334D	CHIP R 330K D 1/10W	
R4			RK73HB1J104J	CHIP R 100K J 1/16W		R128			RK73HB1J105J	CHIP R 1.0M J 1/16W	
R5			RK73HB1J154J	CHIP R 150K J 1/16W		R129			RK73HB1J473J	CHIP R 47K J 1/16W	
R7			RK73HB1J000J	CHIP R 0.0 J 1/16W		R130			RK73HB1J000J	CHIP R 0.0 J 1/16W	
R8			RK73HB1J101J	CHIP R 100 J 1/16W		R131			RK73HB1J563J	CHIP R 56K J 1/16W	
R9			RK73HB1J222J	CHIP R 2.2K J 1/16W		R132			RK73HB1J104J	CHIP R 100K J 1/16W	
R10			RK73HB1J102J	CHIP R 1.0K J 1/16W		R133			RK73HB1J474J	CHIP R 470K J 1/16W	
R11			RK73HB1J334J	CHIP R 330K J 1/16W		R134			RK73GB2A151J	CHIP R 150 J 1/10W	
R12			RK73HB1J221J	CHIP R 220 J 1/16W		R201			RK73HB1J184J	CHIP R 180K J 1/16W	
R13			RK73HB1J101J	CHIP R 100 J 1/16W		R203			RK73HB1J472J	CHIP R 4.7K J 1/16W	
R14			RK73HB1J100J	CHIP R 10 J 1/16W		R204			RK73HB1J823J	CHIP R 82K J 1/16W	
R15			RK73HB1J561J	CHIP R 560 J 1/16W		R205			RK73HB1J100J	CHIP R 10 J 1/16W	
R16			RK73HB1J000J	CHIP R 0.0 J 1/16W		R206			RK73HB1J272J	CHIP R 2.7K J 1/16W	
R17			RK73HB1J152J	CHIP R 1.5K J 1/16W		R207			RK73HB1J332J	CHIP R 3.3K J 1/16W	
R18			RK73HB1J681J	CHIP R 680 J 1/16W		R208			RK73HB1J823J	CHIP R 82K J 1/16W	
R19			RK73HB1J223J	CHIP R 22K J 1/16W		R209			RK73HB1J332J	CHIP R 3.3K J 1/16W	
R20			RK73HB1J000J	CHIP R 0.0 J 1/16W		R210,211			RK73HB1J472J	CHIP R 4.7K J 1/16W	
R21,22			RK73HB1J103J	CHIP R 10K J 1/16W		R212			RK73HB1J101J	CHIP R 100 J 1/16W	
R26			RK73HB1J273J	CHIP R 27K J 1/16W		R213			RK73HB1J184J	CHIP R 180K J 1/16W	
R27			RK73HB1J824J	CHIP R 820K J 1/16W		R214			RK73HB1J471J	CHIP R 470 J 1/16W	
R28			RK73HB1J102J	CHIP R 1.0K J 1/16W		R215			RK73HB1J391J	CHIP R 390 J 1/16W	
R29			RK73HB1J154J	CHIP R 150K J 1/16W		R216			RK73HB1J561J	CHIP R 560 J 1/16W	
R30			RK73HB1J104J	CHIP R 100K J 1/16W		R217			RK73HB1J221J	CHIP R 220 J 1/16W	
R31			RK73HB1J274J	CHIP R 270K J 1/16W		R218,219			RK73HB1J104J	CHIP R 100K J 1/16W	
R32			RK73HB1J684J	CHIP R 680K J 1/16W		R220			RK73HB1J560J	CHIP R 56 J 1/16W	
R33			RK73HB1J101J	CHIP R 100 J 1/16W		R222,223			RK73HB1J000J	CHIP R 0.0 J 1/16W	
R34			RK73HB1J181J	CHIP R 180 J 1/16W		R224			RK73HB1J222J	CHIP R 2.2K J 1/16W	
R35			RK73HB1J680J	CHIP R 68 J 1/16W		R225			RK73HB1J470J	CHIP R 47 J 1/16W	
R36			RK73HB1J101J	CHIP R 100 J 1/16W		R226			RK73HB1J221J	CHIP R 220 J 1/16W	
R37			RK73HB1J472J	CHIP R 4.7K J 1/16W		R228			RK73HB1J563J	CHIP R 56K J 1/16W	
R38			RK73HB1J154J	CHIP R 150K J 1/16W		R229			RK73HB1J100J	CHIP R 10 J 1/16W	
R39			RK73HB1J101J	CHIP R 100 J 1/16W		R230			RK73HB1J000J	CHIP R 0.0 J 1/16W	
R40			RK73HB1J100J	CHIP R 10 J 1/16W		R231			RK73HB1J102J	CHIP R 1.0K J 1/16W	
R41			RK73HB1J102J	CHIP R 1.0K J 1/16W		R301			RK73HH1J474D	CHIP R 470K D 1/16W	
R42,43			RK73HB1J332J	CHIP R 3.3K J 1/16W		R302			RK73GB2A000J	CHIP R 0.0 J 1/10W	
R44			RK73HB1J220J	CHIP R 22 J 1/16W		R303			RK73HB1J101J	CHIP R 100 J 1/16W	
R45			RK73HB1J331J	CHIP R 330 J 1/16W		R304			RK73HB1J334J	CHIP R 330K J 1/16W	
R46			RK73HB1J222J	CHIP R 2.2K J 1/16W		R305			RK73HB1J474D	CHIP R 470K D 1/16W	
R47			RK73HB1J472J	CHIP R 4.7K J 1/16W		R306			RK73HB1J184J	CHIP R 180K J 1/16W	
R101,102			RK73HB1J103J	CHIP R 10K J 1/16W		R307			RK73GB2A271J	CHIP R 270 J 1/10W	
R103			RK73HB1J331J	CHIP R 330 J 1/16W		R308			RK73GB2A221J	CHIP R 220 J 1/10W	

PARTS LIST

TX-RX UNIT (X57-7570-20)

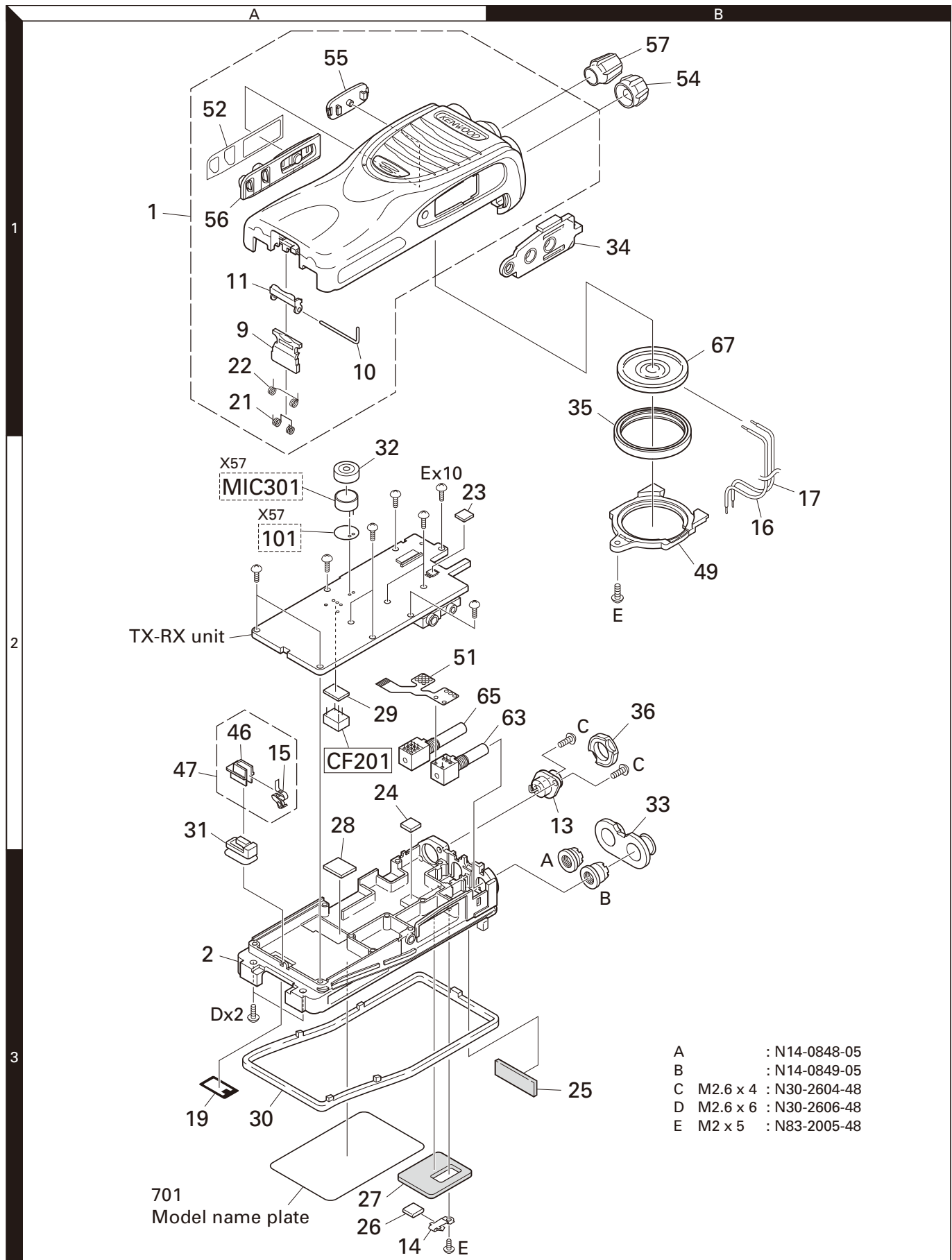
Ref. No.	Address	New parts	Parts No.	Description	Destination	Ref. No.	Address	New parts	Parts No.	Description	Destination
R309,310			RK73GB2A000J	CHIP R 0.0 J 1/10W		S1-3			S70-0414-05	TACT SWITCH	
R313			RK73HB1J102J	CHIP R 1.0K J 1/16W		MIC301	2A		T91-0651-15	MIC ELEMENT (ECM)	
R314,315			RK73HB1J103J	CHIP R 10K J 1/16W		D3,4			1SV325F	VARIABLE CAPACITANCE DIODE	
R316			RK73HB1J222J	CHIP R 2.2K J 1/16W		D6			1SV325F	VARIABLE CAPACITANCE DIODE	
R317			RK73HB1J472J	CHIP R 4.7K J 1/16W		D8			1SV325F	VARIABLE CAPACITANCE DIODE	
R318			RK73HB1J182J	CHIP R 1.8K J 1/16W		D9			1SV278F	VARIABLE CAPACITANCE DIODE	
R319			RK73HB1J000J	CHIP R 0.0 J 1/16W		D10			MC2858	DIODE	
R320			RK73HB1J123J	CHIP R 12K J 1/16W		D101			UDZW5.1(B)	ZENER DIODE	
R321			RK73HB1J103J	CHIP R 10K J 1/16W		D103			HSC277	DIODE	
R323			RK73HB1J102J	CHIP R 1.0K J 1/16W		D104,105			HVC131	DIODE	
R324,325			RK73HB1J472J	CHIP R 4.7K J 1/16W		D102-205			1SV305F	VARIABLE CAPACITANCE DIODE	
R340-342			RK73HB1J103J	CHIP R 10K J 1/16W		D301			GN1G	DIODE	
R344			RK73HB1J474J	CHIP R 470K J 1/16W		D302		*	HRC0203C	DIODE	
R345			RK73HB1J273J	CHIP R 27K J 1/16W		D306		*	KDR731	DIODE	
R347			RK73GB2A000J	CHIP R 0.0 J 1/10W		D307			MC2850	DIODE	
R348			RK73HB1J102J	CHIP R 1.0K J 1/16W		D308,309		*	KDR731	DIODE	
R349			RK73HB1J105J	CHIP R 1.0M J 1/16W		IC1			MB15A02PFV2E1	MOS-IC	
R350			RK73HB1J124J	CHIP R 120K J 1/16W		IC2			UPB1509GV	BI-POLAR IC	
R351			RK73HB1J334J	CHIP R 330K J 1/16W		IC101		*	BA2904FVM	MOS-IC	
R352			RK73HB1J104J	CHIP R 100K J 1/16W		IC201			TA31136FNG	MOS-IC	
R353			RK73HB1J123J	CHIP R 12K J 1/16W		IC301			BD4840FVE	MOS-IC	
R354			RK73HB1J334J	CHIP R 330K J 1/16W		IC303			XC6209B502PPR	MOS-IC	
R355			RK73HB1J124J	CHIP R 120K J 1/16W		IC304		*	XC6209B502MR	MOS-IC	
R356			RK73HB1J472J	CHIP R 4.7K J 1/16W		IC305			BR24L16F-W	ROM IC	
R357			RK73HB1J563J	CHIP R 56K J 1/16W		IC306		*	R5F212CCKCMB	MICRO CONTROL UNIT	
R358			RK73HB1J474J	CHIP R 470K J 1/16W		IC308			AQUA-L	MOS-IC	
R359			RK73HB1J473J	CHIP R 47K J 1/16W		IC309			TA7368FG	MOS-IC	
R360			RK73HB1J332J	CHIP R 3.3K J 1/16W		Q1		*	KTC4075E(Y,GR)	TRANSISTOR	
R361			RK73GB2A000J	CHIP R 0.0 J 1/10W		Q2		*	2SC4774	TRANSISTOR	
R362			RK73HB1J184J	CHIP R 180K J 1/16W		Q3			2SC5636	TRANSISTOR	
R363,364			RK73HB1J104J	CHIP R 100K J 1/16W		Q4,5			2SK1875-F(V)	FET	
R365			RK73HB1J332J	CHIP R 3.3K J 1/16W		Q6		*	KTC4075E(Y,GR)	TRANSISTOR	
R366			RK73HB1J154J	CHIP R 150K J 1/16W		Q7,8			RT1P430U	TRANSISTOR	
R367			RK73HB1J393J	CHIP R 39K J 1/16W		Q9			2SC5636	TRANSISTOR	
R368			RK73GB2A000J	CHIP R 0.0 J 1/10W		Q10		*	KTC4075E(Y,GR)	TRANSISTOR	
R369			RK73HB1J823J	CHIP R 82K J 1/16W		Q11			2SC5636	TRANSISTOR	
R370			RK73HB1J102J	CHIP R 1.0K J 1/16W		Q101			2SC4926YD	TRANSISTOR	
R371			RK73HB1J272J	CHIP R 2.7K J 1/16W		Q102			ROA0004PXDQS	FET	
R372			RK73HB1J000J	CHIP R 0.0 J 1/16W		Q103			RT1N441U	TRANSISTOR	
R373			RK73HB1J224J	CHIP R 220K J 1/16W		Q105			RD07MVS1BT122	FET	
R374			RK73HB1J123J	CHIP R 12K J 1/16W		Q106			RT1N441U	TRANSISTOR	
R375			RK73HB1J182J	CHIP R 1.8K J 1/16W		Q107			2SK1824-A	FET	
R376			RK73HB1J471J	CHIP R 470 J 1/16W		Q108			RT1P441U	TRANSISTOR	
R377			RK73HB1J473J	CHIP R 47K J 1/16W		Q201			RT1P441U	TRANSISTOR	
R378			RK73HB1J561J	CHIP R 560 J 1/16W		Q202		*	2SC4774	TRANSISTOR	
R379			RK73HB1J102J	CHIP R 1.0K J 1/16W		Q203,204			3SK318	FET	
R380			RK73HB1J474J	CHIP R 470K J 1/16W		Q301,302			RT1N441U	TRANSISTOR	
R381			RK73HB1J151J	CHIP R 150 J 1/16W		Q303			RT1P141U	TRANSISTOR	
R383			RK73HB1J563J	CHIP R 56K J 1/16W		Q304		*	DTB723YE	DIGITAL TRANSISTOR	
R384			RK73HB1J333J	CHIP R 33K J 1/16W		Q305,306			2SC4919	TRANSISTOR	
R385			RK73GB2A101J	CHIP R 100 J 1/10W		Q307			RT1N441U	TRANSISTOR	
R387			RK73HB1J104J	CHIP R 100K J 1/16W		Q308		*	KTC4075E(Y,GR)	TRANSISTOR	
R388			RK73HB1J101J	CHIP R 100 J 1/16W		Q310			2SC4116(GR)F	TRANSISTOR	
R389			RK73HB1J000J	CHIP R 0.0 J 1/16W		Q311			2SA1586(Y,GR)F	TRANSISTOR	
R390			RK73GB2A000J	CHIP R 0.0 J 1/10W		Q312			RT1N441U	TRANSISTOR	
R391			RK73HB1J102J	CHIP R 1.0K J 1/16W		Q313		*	2SB1694	TRANSISTOR	
R393			RK73GB2A000J	CHIP R 0.0 J 1/10W		Q314			RT1N441U	TRANSISTOR	
R394			RK73HB1J473J	CHIP R 47K J 1/16W		Q315,316			2SK3577-A	FET	
R398			RK73HB1J000J	CHIP R 0.0 J 1/16W							
VR1		*	R32-0737-05	SEMI FIXED VARIABLE RESISTOR							

PARTS LIST

TX-RX UNIT (X57-7570-20)

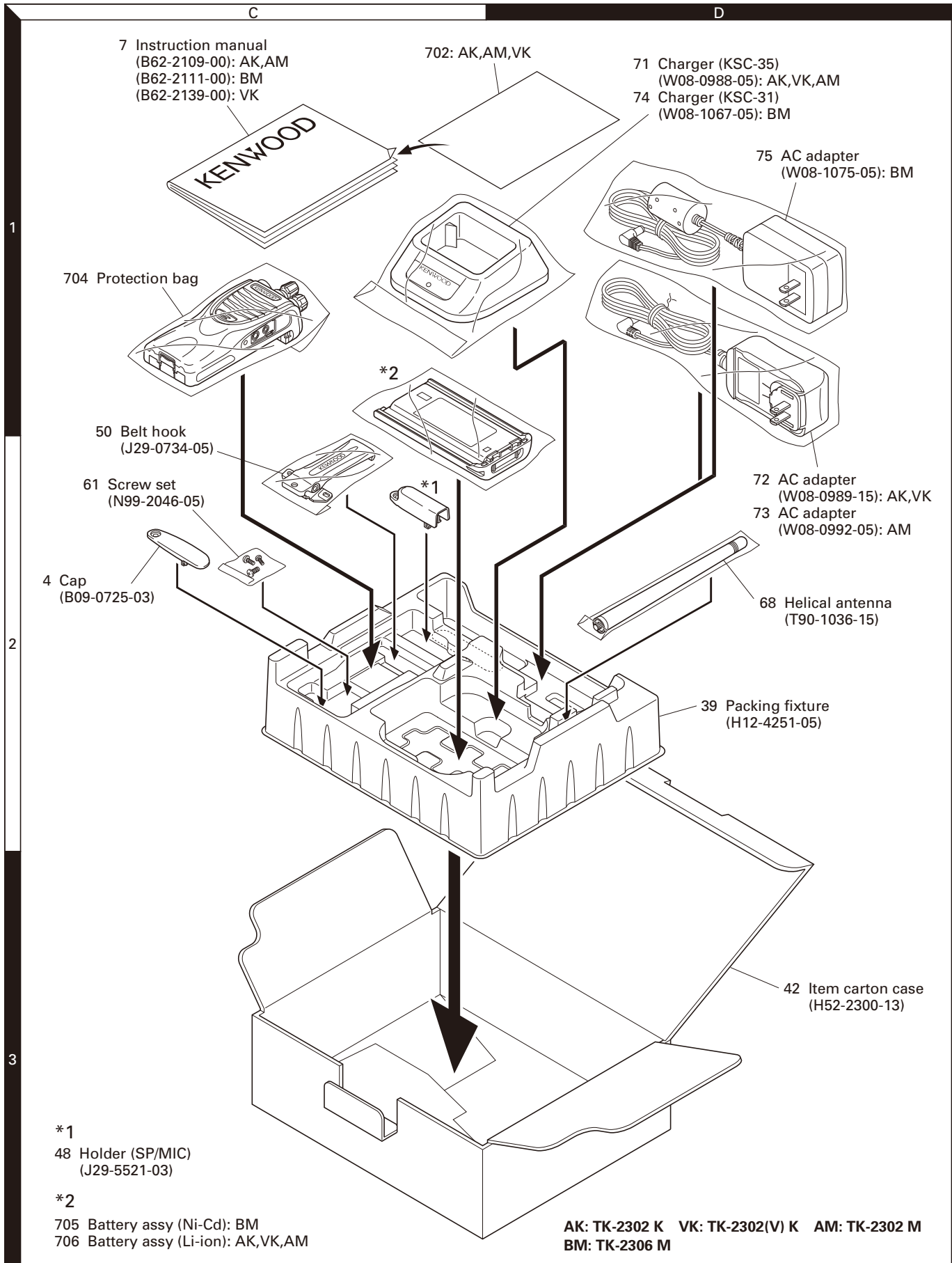
Ref. No.	Address	New parts	Parts No.	Description	Destination	Ref. No.	Address	New parts	Parts No.	Description	Destination
TH101			B57331V2104J	THERMISTOR							
TH201			B57331V2104J	THERMISTOR							

EXPLODED VIEW



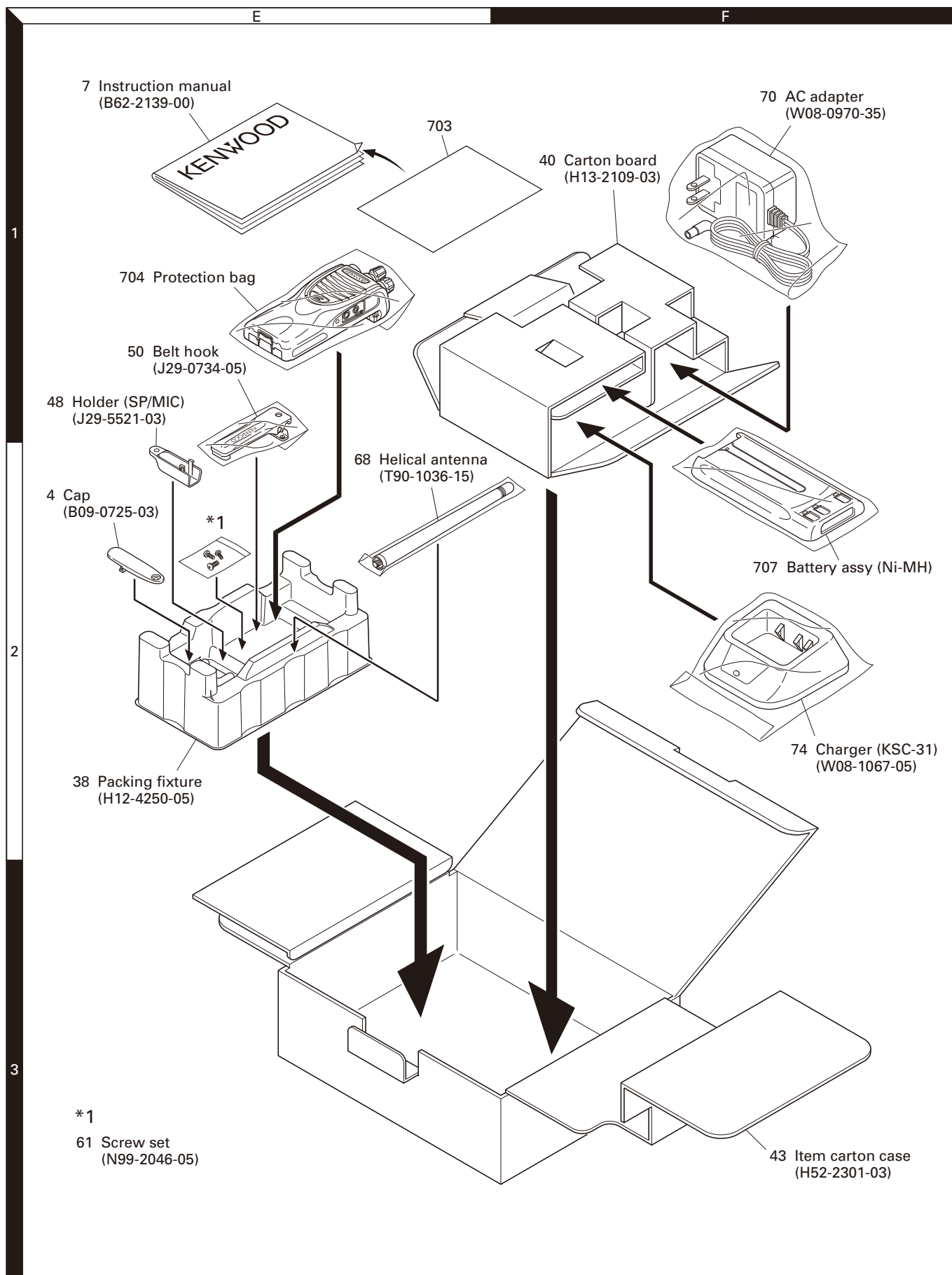
Parts with the exploded numbers larger than 700 are not supplied.
 If a part reference number is listed in a box on the exploded view of the PCB, that part does not come with the PCB.
 These parts must be ordered separately.

PACKING (K,M TYPE)



Parts with the exploded numbers larger than 700 are not supplied.

PACKING (P TYPE)



Parts with the exploded numbers larger than 700 are not supplied.