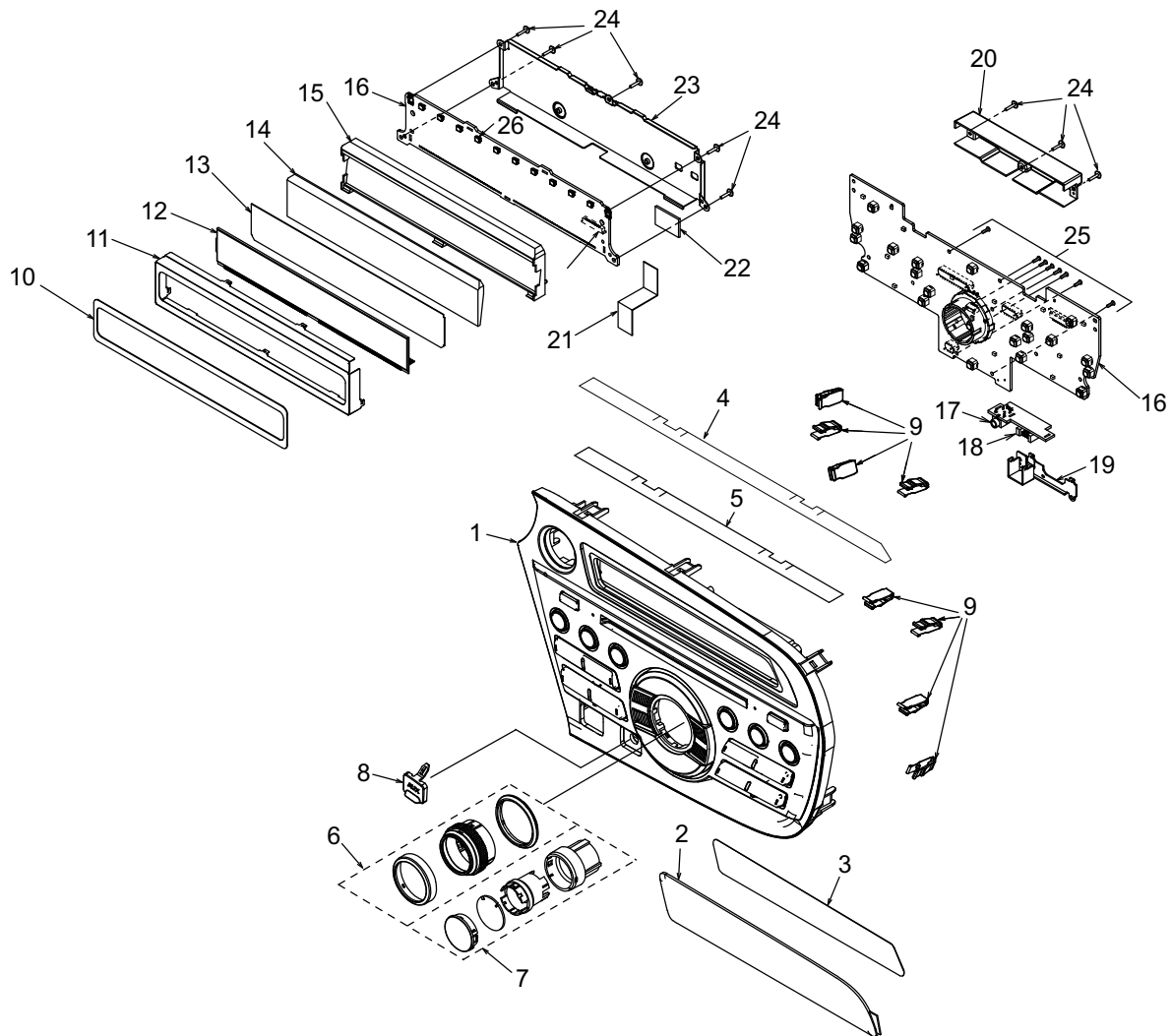


EXPLODED VIEW / PARTS LIST

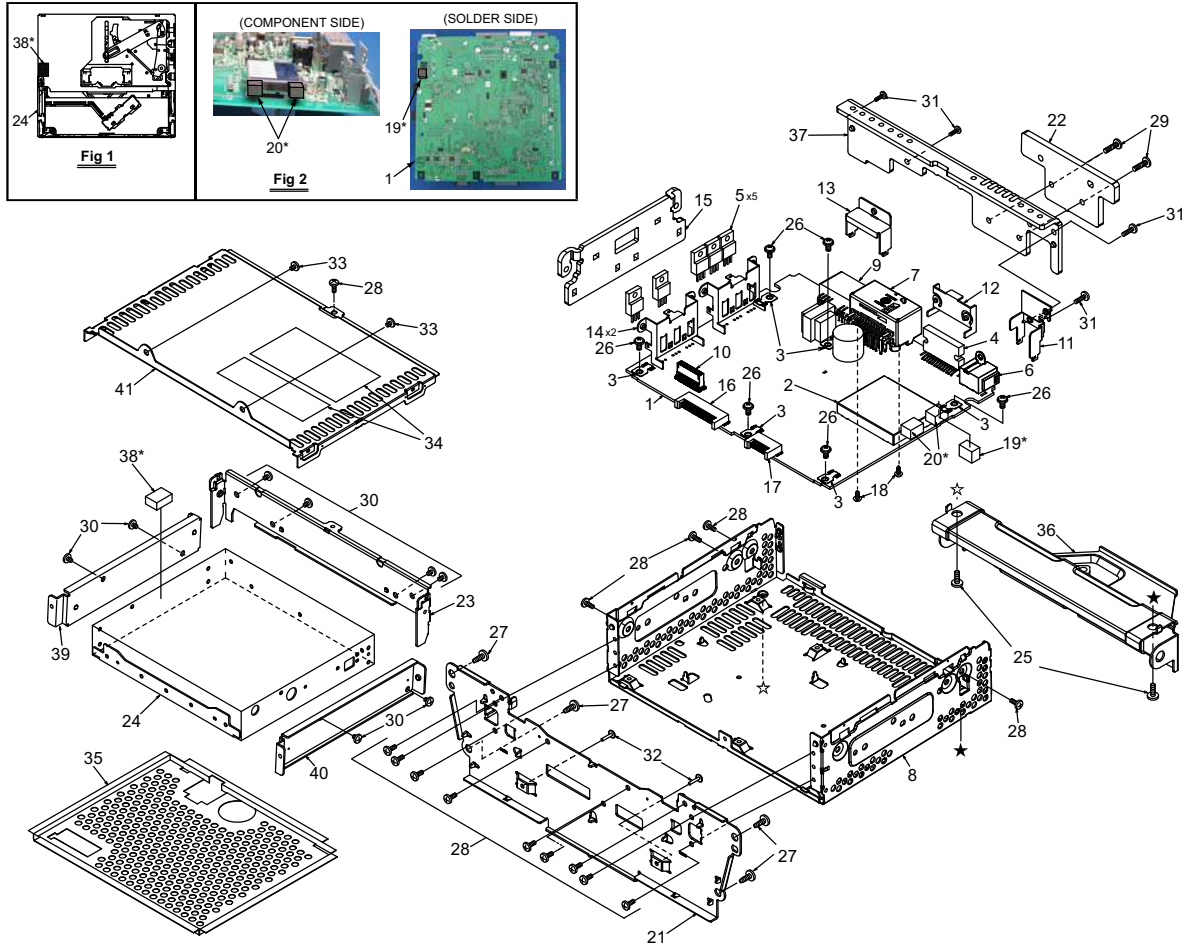
Escutcheon section



| NO. | PART NO. | DESCRIPTION | Q'TY |
|-----|-------------|-----------------|------|
| 1 | 940-8235-15 | ES-ASSY | 1 |
| 2 | 373-1177-01 | DIAL COVER | 1 |
| 3 | 347-8523-00 | CLEAR-SHEET | 1 |
| 4 | 347-8694-10 | CUSHION | 1 |
| 5 | 347-8638-01 | CUSHION | 1 |
| 6 | 948-0854-02 | KNOB-ASSY | 1 |
| 7 | 948-0853-04 | BUTTON-ASSY | 1 |
| 8 | 335-8460-01 | AUX CAP | 1 |
| 9 | 335-8461-00 | CLIP | 8 |
| 10 | 345-6232-00 | CUSHION | 1 |
| 11 | 331-4696-00 | LCD CVR | 1 |
| 12 | 379-1414-43 | INDICATOR (LCD) | 1 |
| 13 | 335-7636-20 | COLOR FILTER | 1 |

| NO. | PART NO. | DESCRIPTION | Q'TY |
|-----|-------------|-------------------|------|
| 14 | 335-7601-00 | LCD ILLUMI | 1 |
| 15 | 335-8464-02 | ILLUMI HOLDER | 1 |
| 16 | ----- | Switch PWB | 1 |
| 17 | 075-0306-00 | JACK | 1 |
| 18 | 076-3011-56 | PLUG (6P) | 1 |
| 19 | 331-4699-00 | AUX HOLDER | 1 |
| 20 | 335-8459-00 | AUX COVER | 1 |
| 21 | 816-3029-57 | FLAT WIRE | 1 |
| 22 | 345-6233-00 | CUSSION RUBBER | 1 |
| 23 | 331-4694-11 | LCD PLATE | 1 |
| 24 | 716-3615-00 | SP SCREW (M2x8) | 8 |
| 25 | 716-0778-51 | WAVE SCREW (M2x6) | 8 |

Main section



| NO. | PART NO. | DESCRIPTION | Q'TY | NO. | PART NO. | DESCRIPTION | Q'TY |
|-----|-------------|----------------------|------|-----|----------------------------|--|------|
| 1 | ----- | Main PWB | 1 | 22 | 313-2057-00 | HEAT SINK (B) | 1 |
| 2 | 880-2091G | TUNER PACK | 1 | 23 | 331-4695-01 | MECH BRKT | 1 |
| 3 | 073-0762-90 | TERMINAL | 6 | 24 | 929-5025-80 | DIGITAL MECH | 1 |
| 4 | 051-2042-00 | IC (TA8275HQ) | 1 | 25 | 714-5008-8B | MACHINE SCREW (M5x8) | 2 |
| 5 | 103-2394-00 | TRANSISTOR (2SD2394) | 5 | 26 | 716-0878-50 | MACHINE SCREW (M2.6x5) | 6 |
| 6 | 092-2238-00 | ANT-RECEPT | 1 | 27 | 778-4008-01 | SP SCREW (4x8) | 4 |
| 7 | 074-4026-24 | SOCKET (24P) | 1 | 28 | 714-2606-8B | MACHINE SCREW (M2.6x6) | 14 |
| 8 | 311-1943-10 | LOWER CASE | 1 | 29 | 780-2616-01 | MACHINE SCREW (M2.6x16) | 2 |
| 9 | 074-1168-14 | SOCKET (14P) | 1 | 30 | 714-2603-8B | MACHINE SCREW (M2.6x3) | 8 |
| 10 | 076-3028-40 | PLUG (40P) | 1 | 31 | 714-2608-89 | MACHINE SCREW (M2.6x8) | 4 |
| 11 | 331-4697-01 | ANT-HOLDER | 1 | 32 | 716-3615-00 | SP SCREW (M2x8) | 2 |
| 12 | 331-3459-00 | IC HOLDER | 1 | 33 | 780-2603-07 | SP SCREW (M2.6x3) | 2 |
| 13 | 331-3769-00 | OUTLET HOLDER | 1 | 34 | 286-6685-76 286-6685-77 | SETPLATE (PH-3084H-A) SETPLATE (PH-3084H-B) | 1 |
| 14 | 331-4066-00 | TR HOLDER | 2 | 35 | 347-8550-01 | MECH CVR | 1 |
| 15 | 313-2017-00 | SUB HEAT SINK | 1 | 36 | 300-8211-10 | MTG-BRKT (LO) | 1 |
| 16 | 076-3011-76 | PLUG (26P) | 1 | 37 | 313-2056-10 | HEAT SINK (A) | 1 |
| 17 | 076-3011-62 | PLUG (12P) | 1 | 38 | 345-6066-01 | GASKET | 1 |
| 18 | 778-3005-00 | TAP SCREW (M3x5) | 2 | 39 | 331-4832-00 | MECH BRKT (L) | 1 |
| 19 | 345-8720-01 | GASKET | 1 | 40 | 331-4833-00 | MECH BRKT (L) | 1 |
| 20 | 345-8581-03 | GASKET | 2 | 41 | 310-1891-00 | UPPER CASE | 1 |
| 21 | 331-4693-01 | ES PLATE | 1 | | | | |

ELECTRICAL PARTS LIST

Main PWB(B1) section

| REF No. | PART No. | DESCRIPTION | REF No. | PART No. | DESCRIPTION | REF No. | PART No. | DESCRIPTION |
|---------|-------------|---------------|---------|-------------|---------------|---------|-------------|------------------|
| ANT101 | 092-2238-00 | ANT RECEPT | C313 | 042-1737-90 | 6.3V 1000uF M | C472 | 168-2222-55 | 2200pF K |
| BL101 | 880-2091G | TUNER PACK | C316 | 166-8096-50 | 8pF D CH | C473 | 168-2222-55 | 2200pF K |
| C102 | 168-1032-55 | 0.01uF K | C317 | 168-1042-78 | 16V 0.1uF K | C474 | 165-2263-15 | 6.3V 22uF |
| C103 | 166-1011-50 | 100pF CH | C319 | 165-1063-35 | 16V 10uF | C475 | 168-1022-55 | 1000pF K |
| C104 | 166-2201-50 | 22pF CH | C320 | 168-1032-55 | 0.01uF K | C476 | 168-1042-78 | 16V 0.1uF K |
| C105 | 168-1032-55 | 0.01uF K | C323 | 168-1032-55 | 0.01uF K | C477 | 042-1767-90 | 16V 470uF |
| C106 | 166-1011-50 | 100pF CH | C371 | 168-1022-55 | 1000pF K | C478 | 168-1042-78 | 16V 0.1uF K |
| C107 | 043-0319-51 | 200pF J CH | C401 | 165-2253-65 | 50V 2.2uF | C479 | 042-2273-25 | 10V 220uF M |
| C109 | 168-1022-55 | 1000pF K | C402 | 165-2253-65 | 50V 2.2uF | C480 | 168-1042-78 | 16V 0.1uF K |
| C110 | 165-1073-35 | 16V 100uF | C403 | 165-2253-65 | 50V 2.2uF | C481 | 168-1022-55 | 1000pF K |
| C111 | 168-1022-55 | 1000pF K | C404 | 165-2253-65 | 50V 2.2uF | C505 | 165-2263-15 | 6.3V 22uF |
| C112 | 165-1073-35 | 16V 100uF | C405 | 165-2253-65 | 50V 2.2uF | C506 | 165-2263-15 | 6.3V 22uF |
| C114 | 168-1032-55 | 0.01uF K | C406 | 165-2253-65 | 50V 2.2uF | C507 | 165-2263-15 | 6.3V 22uF |
| C115 | 168-1022-55 | 1000pF K | C407 | 165-2253-65 | 50V 2.2uF | C508 | 165-2263-15 | 6.3V 22uF |
| C117 | 168-1022-55 | 1000pF K | C408 | 165-2253-65 | 50V 2.2uF | C509 | 165-2253-65 | 50V 2.2uF |
| C118 | 168-1022-55 | 1000pF K | C409 | 165-4753-55 | 35V 4.7uF | C510 | 165-2253-65 | 50V 2.2uF |
| C119 | 168-1022-55 | 1000pF K | C410 | 168-1042-78 | 16V 0.1uF K | C511 | 165-2253-65 | 50V 2.2uF |
| C120 | 168-1022-55 | 1000pF K | C411 | 166-1811-50 | 180pF CH | C512 | 165-2253-65 | 50V 2.2uF |
| C121 | 168-1022-55 | 1000pF K | C412 | 166-1007-50 | 10pF CH | C513 | 166-5611-50 | 560pF CH |
| C123 | 165-4763-35 | 16V 47uF | C413 | 166-1007-50 | 10pF CH | C514 | 166-5611-50 | 560pF CH |
| C124 | 168-1032-55 | 0.01uF K | C414 | 168-1022-55 | 1000pF K | C515 | 166-5611-50 | 560pF CH |
| C125 | 165-1063-35 | 16V 10uF | C415 | 166-1511-50 | 150pF CH | C516 | 166-5611-50 | 560pF CH |
| C126 | 168-1042-78 | 16V 0.1uF K | C416 | 166-1511-50 | 150pF CH | C517 | 166-5611-50 | 560pF CH |
| C127 | 165-1073-15 | 6.3V 100uF | C417 | 166-1511-50 | 150pF CH | C518 | 166-5611-50 | 560pF CH |
| C128 | 168-1042-78 | 16V 0.1uF K | C418 | 166-1511-50 | 150pF CH | C519 | 166-1011-50 | 100pF CH |
| C129 | 043-0554-90 | 25V 10uF | C419 | 166-1511-50 | 150pF CH | C520 | 166-1011-50 | 100pF CH |
| C130 | 168-3332-78 | 0.033uF K | C420 | 166-1511-50 | 150pF CH | C521 | 166-2201-50 | 22pF CH |
| C131 | 165-1073-15 | 6.3V 100uF | C421 | 166-1511-50 | 150pF CH | C522 | 166-2201-50 | 22pF CH |
| C132 | 168-1042-78 | 16V 0.1uF K | C422 | 166-1511-50 | 150pF CH | C523 | 166-2201-50 | 22pF CH |
| C133 | 168-1022-55 | 1000pF K | C423 | 165-4753-55 | 35V 4.7uF | C524 | 166-2201-50 | 22pF CH |
| C135 | 043-0554-90 | 25V 10uF | C424 | 168-1042-78 | 16V 0.1uF K | C525 | 166-1011-50 | 100pF CH |
| C137 | 168-1042-78 | 16V 0.1uF K | C425 | 165-4753-55 | 35V 4.7uF | C526 | 166-1011-50 | 100pF CH |
| C138 | 168-1042-78 | 16V 0.1uF K | C426 | 168-1042-78 | 16V 0.1uF K | C527 | 166-5611-50 | 560pF CH |
| C139 | 042-1767-90 | 16V 470uF | C427 | 168-1022-55 | 1000pF K | C528 | 166-5611-50 | 560pF CH |
| C140 | 043-0499-51 | 0.1uF | C428 | 168-1022-55 | 1000pF K | C529 | 166-5611-50 | 560pF CH |
| C141 | 166-1011-50 | 100pF CH | C429 | 166-1011-50 | 100pF CH | C530 | 166-5611-50 | 560pF CH |
| C142 | 168-4742-78 | 0.47uF K | C430 | 168-1042-78 | 16V 0.1uF K | C531 | 166-5611-50 | 560pF CH |
| C201 | 178-1022-78 | 1000pF | C431 | 168-1042-78 | 16V 0.1uF K | C532 | 166-5611-50 | 560pF CH |
| C202 | 178-1022-78 | 1000pF | C432 | 168-1042-78 | 16V 0.1uF K | C533 | 168-1042-78 | 16V 0.1uF K |
| C206 | 168-1032-55 | 0.01uF K | C433 | 168-5622-55 | 5600pF K | C534 | 165-1073-35 | 16V 100uF |
| C209 | 168-1042-78 | 16V 0.1uF K | C434 | 168-5622-55 | 5600pF K | C535 | 165-2263-15 | 6.3V 22uF |
| C213 | 166-1011-50 | 100pF CH | C435 | 165-4753-55 | 35V 4.7uF | C538 | 168-5612-55 | 560pF Z |
| C219 | 168-1042-78 | 16V 0.1uF K | C436 | 168-1042-78 | 16V 0.1uF K | C541 | 168-1545-56 | 0.15uF Z |
| C227 | 165-1073-15 | 6.3V 100uF | C437 | 168-2232-55 | 0.022uF K | C542 | 168-1545-56 | 0.15uF Z |
| C228 | 043-0554-90 | 25V 10uF | C438 | 165-1073-15 | 6.3V 100uF | C543 | 168-1545-56 | 0.15uF Z |
| C229 | 168-1042-78 | 16V 0.1uF K | C439 | 168-1042-78 | 16V 0.1uF K | C544 | 168-1545-56 | 0.15uF Z |
| C231 | 165-1073-15 | 6.3V 100uF | C440 | 043-0554-90 | 25V 10uF | C545 | 165-1063-35 | 16V 10uF |
| C232 | 165-4763-15 | 6.3V 47uF | C441 | 168-1042-78 | 16V 0.1uF K | C546 | 043-0499-51 | 0.1uF |
| C233 | 168-1042-78 | 16V 0.1uF K | C442 | 168-4732-78 | 0.047uF K | C548 | 168-2222-55 | 2200pF K |
| C234 | 165-4763-15 | 6.3V 47uF | C443 | 043-0504-50 | 10V 4.7uF | C549 | 168-2222-55 | 2200pF K |
| C235 | 168-1042-78 | 16V 0.1uF K | C444 | 165-2263-15 | 6.3V 22uF | C550 | 168-2222-55 | 2200pF K |
| C236 | 043-0554-90 | 25V 10uF | C445 | 168-1042-78 | 16V 0.1uF K | C551 | 168-2222-55 | 2200pF K |
| C237 | 043-0554-90 | 25V 10uF | C446 | 168-1042-78 | 16V 0.1uF K | C552 | 168-1032-55 | 0.01uF K |
| C238 | 168-1042-78 | 16V 0.1uF K | C447 | 168-1022-55 | 1000pF K | C553 | 172-4741-11 | 0.47uF |
| C239 | 168-1042-78 | 16V 0.1uF K | C448 | 165-4763-15 | 6.3V 47uF | C554 | 168-2222-55 | 2200pF K |
| C240 | 168-1042-78 | 16V 0.1uF K | C449 | 168-2232-55 | 0.022uF K | C555 | 168-2222-55 | 2200pF K |
| C241 | 042-1767-90 | 16V 470uF | C450 | 165-1063-35 | 16V 10uF | C556 | 165-3353-65 | 50V 3.3uF |
| C242 | 042-1768-90 | 16V 10uF | C451 | 178-1052-78 | 1uF | C557 | 168-2222-55 | 2200pF K |
| C243 | 168-1022-55 | 1000pF K | C452 | 168-1042-78 | 16V 0.1uF K | C558 | 168-2222-55 | 2200pF K |
| C291 | 168-2222-55 | 2200pF K | C453 | 168-1042-78 | 16V 0.1uF K | C559 | 168-2222-55 | 2200pF K |
| C301 | 166-1011-50 | 100pF CH | C454 | 168-3332-78 | 0.033uF K | C560 | 168-2222-55 | 2200pF K |
| C302 | 178-1052-78 | 1uF | C457 | 168-3322-55 | 3300pF K | C561 | 168-2222-55 | 2200pF K |
| C304 | 168-1032-55 | 0.01uF K | C458 | 168-3322-55 | 3300pF K | C562 | 168-2222-55 | 2200pF K |
| C305 | 168-1022-55 | 1000pF K | C459 | 178-1052-78 | 1uF | C563 | 043-0499-51 | 0.1uF |
| C306 | 168-1042-78 | 16V 0.1uF K | C460 | 168-2222-55 | 2200pF K | C564 | 189-3383-31 | 16V 3300uF |
| C307 | 165-4753-55 | 35V 4.7uF | C461 | 168-2222-55 | 2200pF K | C1301 | 165-1043-65 | 50V 0.1uF |
| C308 | 168-1022-55 | 1000pF K | C463 | 168-1042-78 | 16V 0.1uF K | C3000 | 168-1042-78 | 16V 0.1uF K |
| C309 | 168-1022-55 | 1000pF K | C464 | 168-1042-78 | 16V 0.1uF K | C3001 | 168-1042-78 | 16V 0.1uF K |
| C310 | 168-1042-78 | 16V 0.1uF K | C465 | 168-2232-55 | 0.022uF K | CCT3000 | 050-0140-54 | 1/32W 1k ohm x4J |
| C311 | 042-1737-90 | 6.3V 1000uF M | C467 | 168-2232-55 | 0.022uF K | CCT3001 | 050-0140-53 | 1/32W 0 ohm x4J |
| C312 | 165-4753-55 | 35V 4.7uF | C468 | 168-4712-55 | 470pF K | CCT3002 | 050-0140-53 | 1/32W 0 ohm x4J |

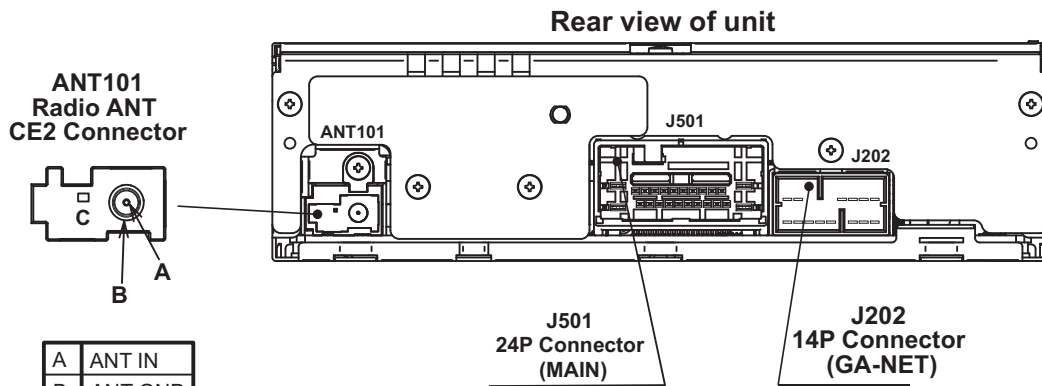
| REF No. | PART No. | DESCRIPTION | REF No. | PART No. | DESCRIPTION | REF No. | PART No. | DESCRIPTION |
|---------|-------------|--------------------|---------|-------------|----------------|---------|-------------|--------------------------------|
| D101 | 001-2403-90 | M1F60 | L412 | 010-3105-62 | 1k ohm/100MHz | R130 | 119-1011-15 | 1/10W 100 ohm |
| D102 | 001-2403-90 | M1F60 | L413 | 010-3105-62 | 1k ohm/100MHz | R131 | 116-5691-15 | 1/4W 5.6 ohm |
| D103 | 001-0516-90 | MA111 | L414 | 010-3105-62 | 1k ohm/100MHz | R132 | 119-1011-15 | 1/10W 100 ohm |
| D104 | 001-0529-47 | MA8091-M | L415 | 010-2198-51 | 0.22uH | R134 | 117-2721-15 | 1/8W 2.7k ohm |
| D106 | 001-0516-90 | MA111 | L416 | 010-3105-62 | 1k ohm/100MHz | R135 | 116-0000-05 | 1/4W 0 ohm JW |
| D107 | 001-0529-28 | MA8051-L | L2001 | 010-3406-66 | 22uH J | R137 | 119-0000-05 | 1/10W 0 ohm JW |
| D108 | 001-0529-47 | MA8091-M | L3002 | 010-3105-62 | 1k ohm/100MHz | R138 | 119-1031-15 | 1/10W 10k ohm |
| D109 | 001-0529-48 | MA8091-H | L5001 | 010-3105-62 | 1k ohm/100MHz | R140 | 116-2291-15 | 1/4W 2.2 ohm |
| D111 | 001-2403-90 | M1F60 | P2000 | 076-3028-40 | 40P | R141 | 116-2291-15 | 1/4W 2.2 ohm |
| D112 | 001-2403-90 | M1F60 | P3000 | 076-3011-76 | 26P | R142 | 116-1021-15 | 1/4W 1k ohm |
| D113 | 001-2403-90 | M1F60 | P3001 | 076-3011-62 | 12P | R143 | 116-6811-15 | 1/4W 680 ohm |
| D201 | 001-0529-69 | MA8180-M | Q101 | 192-4081-00 | 2SC4081 | R144 | 119-3321-15 | 1/10W 3.3k ohm |
| D202 | 001-0529-32 | MA8056-M | Q102 | 192-4081-00 | 2SC4081 | R145 | 119-1031-15 | 1/10W 10k ohm |
| D203 | 001-0529-32 | MA8056-M | Q103 | 125-2027-91 | DTC114EUA | R146 | 119-1031-15 | 1/10W 10k ohm |
| D205 | 001-0535-90 | MA729 | Q104 | 190-1736-00 | 2SA1736 | R147 | 119-4791-15 | 1/10W 4.7 ohm |
| D209 | 001-0516-90 | MA111 | Q106 | 103-2394-00 | 2SD2394 | R148 | 119-1031-15 | 1/10W 10k ohm |
| D210 | 001-0516-90 | MA111 | Q107 | 193-1664-00 | 2SD1664 | R149 | 119-4791-15 | 1/10W 4.7 ohm |
| D217 | 001-0535-90 | MA729 | Q108 | 192-4081-00 | 2SC4081 | R150 | 116-1221-15 | 1/4W 1.2k ohm |
| D219 | 001-0529-45 | MA8082-H | Q109 | 125-2027-91 | DTC114EUA | R151 | 116-1221-15 | 1/4W 1.2k ohm |
| D224 | 001-9210-50 | AVR-M1608C270 | Q110 | 191-1197-50 | 2SB1197K Q,R | R152 | 116-1221-15 | 1/4W 1.2k ohm |
| | | MTAAD | Q111 | 192-4081-00 | 2SC4081 | R153 | 116-1221-15 | 1/4W 1.2k ohm |
| D301 | 001-0516-90 | MA111 | Q112 | 103-2394-00 | 2SD2394 | R154 | 116-0000-05 | 1/4W 0 ohm JW |
| D302 | 001-0504-42 | HZS7 C3L | Q113 | 125-2027-90 | DTC143EU | R155 | 116-3011-15 | 1/4W 300 ohm |
| D303 | 001-0529-42 | MA8075-H | Q114 | 190-1736-00 | 2SA1736 | R156 | 116-3011-15 | 1/4W 300 ohm |
| D304 | 001-0516-90 | MA111 | Q115 | 125-2027-91 | DTC114EUA | R157 | 116-3011-15 | 1/4W 300 ohm |
| D305 | 001-0529-48 | MA8091-H | Q116 | 125-0021-92 | DTA124EUA | R158 | 116-3011-15 | 1/4W 300 ohm |
| D501 | 001-2403-90 | M1F60 | Q117 | 193-1664-00 | 2SD1664 | R201 | 116-1211-15 | 1/4W 120 ohm |
| D502 | 001-0592-00 | RM4Z | Q118 | 193-1664-00 | 2SD1664 | R202 | 119-1031-15 | 1/10W 10k ohm |
| IC101 | 051-3354-90 | BA33BC0WFP | Q119 | 125-2027-91 | DTC114EUA | R203 | 119-3321-15 | 1/10W 3.3k ohm |
| IC102 | 051-3218-90 | TA76431F | Q120 | 125-0021-91 | DTA114EUA | R204 | 116-6801-15 | 1/4W 68 ohm |
| IC103 | 051-3344-90 | BD3930FP-E2 | Q121 | 103-2394-00 | 2SD2394 | R205 | 116-1011-15 | 1/4W 100 ohm |
| IC202 | 051-6648-90 | HA12240FP-EL | Q122 | 103-2394-00 | 2SD2394 | R206 | 116-1011-15 | 1/4W 100 ohm |
| IC203 | 051-3408-90 | BA2903FV | Q123 | 125-2027-91 | DTC114EUA | R212 | 119-4721-15 | 1/10W 4.7k ohm |
| IC205 | 051-3364-90 | NJU7771F15 | Q124 | 125-0021-91 | DTA114EUA | R213 | 119-4721-15 | 1/10W 4.7k ohm |
| IC206 | 051-3364-90 | NJU7771F15 | Q125 | 125-2027-90 | DTC143EU | R215 | 032-0209-50 | 1/4W 82 ohm D |
| IC207 | 051-3354-90 | BA33BC0WFP | Q201 | 193-1664-00 | 2SD1664 | R217 | 032-0140-72 | 1/10W 470 ohm F |
| IC301 | 051-5423-38 | BD6329G-TR | Q210 | 192-4081-00 | 2SC4081 | R223 | 119-5641-15 | 1/10W 560k ohm |
| IC302 | 051-9423-90 | BR93L86REV-W E2 | Q211 | 103-2394-00 | 2SD2394 | R225 | 119-1021-15 | 1/10W 1k ohm |
| IC303 | 052-3217-71 | UPD70F3340GC-8EA-A | Q212 | 125-2027-91 | DTC114EUA | R226 | 119-4721-15 | 1/10W 4.7k ohm |
| | | L9637D | Q213 | 125-0021-91 | DTA114EUA | R229 | 119-1031-15 | 1/10W 10k ohm |
| IC304 | 051-5811-90 | SAF7730HV/N317F | Q301 | 125-2027-91 | DTC114EUA | R230 | 119-1031-15 | 1/10W 10k ohm |
| IC401 | ----- | BA4558RFV | Q302 | 125-0021-91 | DTA114EUA | R233 | 119-3331-15 | 1/10W 33k ohm |
| IC501 | 051-3057-90 | NJM2060V | Q303 | 192-4081-00 | 2SC4081 | R234 | 116-1021-15 | 1/4W 1k ohm |
| IC502 | 051-3019-90 | NJM2060V | Q304 | 192-4081-00 | 2SC4081 | R239 | 119-1031-15 | 1/10W 10k ohm |
| IC503 | 051-3019-90 | NJM2060V | Q306 | 192-2712-00 | 2SC2712 | R240 | 119-3331-15 | 1/10W 33k ohm |
| IC504 | 051-2042-00 | TA8275H | Q401 | 125-7005-90 | PHK04P02T | R241 | 119-3321-15 | 1/10W 3.3k ohm |
| J202 | 074-1168-14 | 14P | Q501 | 125-2027-91 | DTC114EUA | R242 | 119-1031-15 | 1/10W 10k ohm |
| J501 | 074-4026-24 | 24P | Q502 | 125-0021-91 | DTA114EUA | R243 | 119-3321-15 | 1/10W 3.3k ohm |
| L101 | 010-2003-04 | 30uH | Q509 | 125-2027-91 | DTC114EUA | R245 | 119-3331-15 | 1/10W 33k ohm |
| L102 | 010-4011-20 | 2.5mH +3/-3% | Q1001 | 190-1052-03 | 2SA1052 C | R246 | 119-1031-15 | 1/10W 10k ohm |
| L103 | 010-3104-50 | 30 ohm/100MHz | Q1005 | 193-1664-00 | 2SD1664 | R248 | 119-3331-15 | 1/10W 33k ohm |
| L104 | 010-3406-66 | 22uH J | R101 | 119-2221-15 | 1/10W 2.2k ohm | R250 | 119-1031-15 | 1/10W 10k ohm |
| L106 | 010-3104-50 | 30 ohm/100MHz | R102 | 119-1031-15 | 1/10W 10k ohm | R251 | 116-6811-15 | 1/4W 680 ohm |
| L203 | 010-2285-51 | 120 ohm/100MHz | R104 | 119-1521-15 | 1/10W 1.5k ohm | R271 | 119-4731-15 | 1/10W 47k ohm |
| L205 | 010-3104-50 | 30 ohm/100MHz | R105 | 119-1031-15 | 1/10W 10k ohm | R272 | 119-4731-15 | 1/10W 47k ohm |
| L206 | 010-3104-50 | 30 ohm/100MHz | R106 | 116-1521-15 | 1/4W 1.5k ohm | R301 | 119-1031-15 | 1/10W 10k ohm (Used 3084HB) |
| L207 | 010-3105-62 | 1k ohm/100MHz | R107 | 119-1031-15 | 1/10W 10k ohm | | | |
| L211 | 010-3105-62 | 1k ohm/100MHz | R108 | 116-0000-05 | 1/4W 0 ohm JW | R302 | 119-1031-15 | 1/10W 10k ohm (Used 3084HA) |
| L212 | 010-3105-62 | 1k ohm/100MHz | R109 | 116-0000-05 | 1/4W 0 ohm JW | | | |
| L301 | 010-3105-62 | 1k ohm/100MHz | R112 | 119-4731-15 | 1/10W 47k ohm | R305 | 119-1041-15 | 1/10W 100k ohm |
| L302 | 010-3406-66 | 22uH J | R115 | 119-1041-15 | 1/10W 100k ohm | R309 | 119-3331-15 | 1/10W 33k ohm |
| L303 | 010-3406-66 | 22uH J | R118 | 119-0000-05 | 1/10W 0 ohm JW | R310 | 119-3331-15 | 1/10W 33k ohm |
| L401 | 010-3105-62 | 1k ohm/100MHz | R119 | 117-3921-15 | 1/8W 3.9k ohm | R311 | 119-3331-15 | 1/10W 33k ohm |
| L402 | 010-3105-62 | 1k ohm/100MHz | R120 | 119-1011-15 | 1/10W 100 ohm | R312 | 119-3331-15 | 1/10W 33k ohm |
| L403 | 010-3105-62 | 1k ohm/100MHz | R121 | 119-1521-15 | 1/10W 1.5k ohm | R317 | 119-4731-15 | 1/10W 47k ohm |
| L404 | 010-3105-62 | 1k ohm/100MHz | R122 | 119-6821-15 | 1/10W 6.8k ohm | R319 | 119-3331-15 | 1/10W 33k ohm |
| L405 | 010-3105-62 | 1k ohm/100MHz | R123 | 119-6821-15 | 1/10W 6.8k ohm | R321 | 119-2241-15 | 1/10W 220k ohm |
| L406 | 010-3105-62 | 1k ohm/100MHz | R124 | 119-1011-15 | 1/10W 100 ohm | R322 | 119-3331-15 | 1/10W 33k ohm |
| L407 | 010-3105-62 | 1k ohm/100MHz | R125 | 119-1031-15 | 1/10W 10k ohm | R323 | 119-1021-15 | 1/10W 1k ohm |
| L408 | 010-3105-62 | 1k ohm/100MHz | R126 | 119-1011-15 | 1/10W 100 ohm | R324 | 119-3331-15 | 1/10W 33k ohm |
| L409 | 010-3105-62 | 1k ohm/100MHz | R127 | 119-1031-15 | 1/10W 10k ohm | R325 | 119-3331-15 | 1/10W 33k ohm |
| L410 | 010-3105-62 | 1k ohm/100MHz | R128 | 119-1011-15 | 1/10W 100 ohm | R326 | 119-3331-15 | 1/10W 33k ohm |
| L411 | 010-3105-62 | 1k ohm/100MHz | R129 | 119-1011-15 | 1/10W 100 ohm | R327 | 119-3331-15 | 1/10W 33k ohm |

| REF No. | PART No. | DESCRIPTION | REF No. | PART No. | DESCRIPTION | REF No. | PART No. | DESCRIPTION |
|---------|-------------|-----------------|---------|-------------|-----------------|---------|-------------|-------------------------|
| R328 | 119-5611-15 | 1/10W 560 ohm | R422 | 119-0000-05 | 1/10W 0 ohm JW | R544 | 119-2221-15 | 1/10W 2.2k ohm |
| R329 | 119-3331-15 | 1/10W 33k ohm | R423 | 119-5631-15 | 1/10W 56k ohm | R545 | 119-1041-15 | 1/10W 100k ohm |
| R330 | 119-1031-15 | 1/10W 10k ohm | R424 | 119-0000-05 | 1/10W 0 ohm JW | R546 | 119-3321-15 | 1/10W 3.3k ohm |
| R331 | 119-3331-15 | 1/10W 33k ohm | R425 | 119-1001-15 | 1/10W 10 ohm | R547 | 119-1041-15 | 1/10W 100k ohm |
| R332 | 119-6831-15 | 1/10W 68k ohm | R428 | 032-0140-52 | 1/10W 33k ohm F | R548 | 117-0000-05 | 1/8W 0 ohm JW |
| R333 | 119-6831-15 | 1/10W 68k ohm | R429 | 032-0140-52 | 1/10W 33k ohm F | R549 | 119-1041-15 | 1/10W 100k ohm |
| R334 | 119-2241-15 | 1/10W 220k ohm | R430 | 032-0140-52 | 1/10W 33k ohm F | R550 | 119-1041-15 | 1/10W 100k ohm |
| R335 | 119-1021-15 | 1/10W 1k ohm | R431 | 032-0140-52 | 1/10W 33k ohm F | R551 | 116-1031-15 | 1/4W 10k ohm |
| R336 | 119-4731-15 | 1/10W 47k ohm | R433 | 119-1031-15 | 1/10W 10k ohm | R552 | 119-4721-15 | 1/10W 4.7k ohm |
| R337 | 119-3331-15 | 1/10W 33k ohm | R434 | 119-1031-15 | 1/10W 10k ohm | R1001 | 119-1031-15 | 1/10W 10k ohm |
| R338 | 119-1021-15 | 1/10W 1k ohm | R435 | 119-1011-15 | 1/10W 100 ohm | R1002 | 119-1021-15 | 1/10W 1k ohm |
| R339 | 119-3331-15 | 1/10W 33k ohm | R436 | 119-1011-15 | 1/10W 100 ohm | R2000 | 119-1031-15 | 1/10W 10k ohm |
| R340 | 119-3331-15 | 1/10W 33k ohm | R437 | 119-0000-05 | 1/10W 0 ohm JW | R2002 | 119-4731-15 | 1/10W 47k ohm |
| R341 | 119-3331-15 | 1/10W 33k ohm | R438 | 119-1011-15 | 1/10W 100 ohm | R2013 | 119-4731-15 | 1/10W 47k ohm |
| R342 | 119-4731-15 | 1/10W 47k ohm | R439 | 119-1011-15 | 1/10W 100 ohm | R2019 | 119-0000-05 | 1/10W 0 ohm JW |
| R343 | 119-1011-15 | 1/10W 100 ohm | R440 | 119-1011-15 | 1/10W 100 ohm | R2020 | 119-0000-05 | 1/10W 0 ohm JW |
| R344 | 119-1011-15 | 1/10W 100 ohm | R441 | 119-1021-15 | 1/10W 1k ohm | R2021 | 119-0000-05 | 1/10W 0 ohm JW |
| R345 | 119-3331-15 | 1/10W 33k ohm | R442 | 119-1021-15 | 1/10W 1k ohm | R2022 | 119-0000-05 | 1/10W 0 ohm JW |
| R346 | 119-1031-15 | 1/10W 10k ohm | R443 | 119-0000-05 | 1/10W 0 ohm JW | R2023 | 119-0000-05 | 1/10W 0 ohm JW |
| R347 | 119-1031-15 | 1/10W 10k ohm | R444 | 119-1031-15 | 1/10W 10k ohm | R2024 | 119-0000-05 | 1/10W 0 ohm JW |
| R349 | 119-1011-15 | 1/10W 100 ohm | R445 | 119-0000-05 | 1/10W 0 ohm JW | R2025 | 119-0000-05 | 1/10W 0 ohm JW |
| R350 | 119-1011-15 | 1/10W 100 ohm | R446 | 119-1031-15 | 1/10W 10k ohm | R2026 | 119-0000-05 | 1/10W 0 ohm JW |
| R356 | 119-1031-15 | 1/10W 10k ohm | R447 | 119-0000-05 | 1/10W 0 ohm JW | R2027 | 119-0000-05 | 1/10W 0 ohm JW |
| R357 | 119-1031-15 | 1/10W 10k ohm | R448 | 119-1001-15 | 1/10W 10 ohm | R2028 | 119-0000-05 | 1/10W 0 ohm JW |
| R359 | 119-4731-15 | 1/10W 47k ohm | R450 | 119-1011-15 | 1/10W 100 ohm | R2034 | 119-0000-05 | 1/10W 0 ohm JW |
| R360 | 119-4731-15 | 1/10W 47k ohm | R451 | 119-0000-05 | 1/10W 0 ohm JW | R2039 | 119-0000-05 | 1/10W 0 ohm JW |
| R361 | 119-4731-15 | 1/10W 47k ohm | R471 | 119-2201-15 | 1/10W 22 ohm | R2042 | 119-0000-05 | 1/10W 0 ohm JW |
| R362 | 119-4731-15 | 1/10W 47k ohm | R501 | 119-1021-15 | 1/10W 1k ohm | R2047 | 119-0000-05 | 1/10W 0 ohm JW |
| R363 | 119-1031-15 | 1/10W 10k ohm | R502 | 119-1021-15 | 1/10W 1k ohm | R2050 | 119-0000-05 | 1/10W 0 ohm JW |
| R364 | 119-1031-15 | 1/10W 10k ohm | R503 | 119-1021-15 | 1/10W 1k ohm | R2051 | 119-0000-05 | 1/10W 0 ohm JW |
| R366 | 119-1031-15 | 1/10W 10k ohm | R504 | 119-1021-15 | 1/10W 1k ohm | R2052 | 119-0000-05 | 1/10W 0 ohm JW |
| R367 | 119-3321-15 | 1/10W 3.3k ohm | R505 | 119-4731-15 | 1/10W 47k ohm | R2053 | 119-0000-05 | 1/10W 0 ohm JW |
| R370 | 119-1041-15 | 1/10W 100k ohm | R506 | 119-4731-15 | 1/10W 47k ohm | R2054 | 119-0000-05 | 1/10W 0 ohm JW |
| R372 | 119-1041-15 | 1/10W 100k ohm | R507 | 119-4731-15 | 1/10W 47k ohm | R2055 | 119-0000-05 | 1/10W 0 ohm JW |
| R378 | 119-0000-05 | 1/10W 0 ohm JW | R508 | 119-4731-15 | 1/10W 47k ohm | R2056 | 119-0000-05 | 1/10W 0 ohm JW |
| R379 | 119-0000-05 | 1/10W 0 ohm JW | R509 | 119-0000-05 | 1/10W 0 ohm JW | R3001 | 119-3331-15 | 1/10W 33k ohm |
| R380 | 119-3331-15 | 1/10W 33k ohm | R510 | 119-0000-05 | 1/10W 0 ohm JW | R3002 | 119-3331-15 | 1/10W 33k ohm |
| R381 | 119-4721-15 | 1/10W 4.7k ohm | R511 | 119-0000-05 | 1/10W 0 ohm JW | R3003 | 119-1021-15 | 1/10W 1k ohm |
| R382 | 119-3331-15 | 1/10W 33k ohm | R512 | 119-0000-05 | 1/10W 0 ohm JW | R3020 | 119-0000-05 | 1/10W 0 ohm JW |
| R383 | 119-3331-15 | 1/10W 33k ohm | R513 | 119-6821-15 | 1/10W 6.8k ohm | R3021 | 119-0000-05 | 1/10W 0 ohm JW |
| R384 | 116-0000-05 | 1/4W 0 ohm JW | R514 | 119-6821-15 | 1/10W 6.8k ohm | R3022 | 119-0000-05 | 1/10W 0 ohm JW |
| R386 | 119-3331-15 | 1/10W 33k ohm | R515 | 119-6821-15 | 1/10W 6.8k ohm | R3023 | 119-0000-05 | 1/10W 0 ohm JW |
| R387 | 119-1031-15 | 1/10W 10k ohm | R516 | 119-6821-15 | 1/10W 6.8k ohm | R3024 | 119-0000-05 | 1/10W 0 ohm JW |
| R399 | 119-4721-15 | 1/10W 4.7k ohm | R517 | 119-6821-15 | 1/10W 6.8k ohm | R4001 | 119-0000-05 | 1/10W 0 ohm JW |
| R401 | 032-0140-52 | 1/10W 33k ohm F | R518 | 119-6821-15 | 1/10W 6.8k ohm | R4002 | 119-0000-05 | 1/10W 0 ohm JW |
| R402 | 032-0140-52 | 1/10W 33k ohm F | R519 | 119-1031-15 | 1/10W 10k ohm | R4005 | 119-3931-15 | 1/10W 39k ohm |
| R403 | 119-3331-15 | 1/10W 33k ohm | R522 | 119-1031-15 | 1/10W 10k ohm | R4006 | 119-3931-15 | 1/10W 39k ohm |
| R404 | 119-3331-15 | 1/10W 33k ohm | R523 | 119-1531-15 | 1/10W 15k ohm | SUP101 | 060-0122-91 | DSP-141N-S00B |
| R405 | 032-0140-52 | 1/10W 33k ohm F | R524 | 119-1531-15 | 1/10W 15k ohm | T501 | 009-0670-80 | 180uH |
| R406 | 032-0140-52 | 1/10W 33k ohm F | R525 | 119-1031-15 | 1/10W 10k ohm | TC301 | 004-1583-52 | 20pF RED |
| R407 | 032-0140-52 | 1/10W 33k ohm F | R526 | 119-1031-15 | 1/10W 10k ohm | TH101 | 002-0318-21 | THERMISTOR |
| R408 | 032-0140-52 | 1/10W 33k ohm F | R529 | 119-0000-05 | 1/10W 0 ohm JW | TM101 | 073-0762-90 | TERMINAL |
| R409 | 119-1031-15 | 1/10W 10k ohm | R530 | 119-0000-05 | 1/10W 0 ohm JW | TM102 | 073-0762-90 | TERMINAL |
| R410 | 119-1031-15 | 1/10W 10k ohm | R531 | 119-0000-05 | 1/10W 0 ohm JW | TM103 | 073-0762-90 | TERMINAL |
| R411 | 119-1031-15 | 1/10W 10k ohm | R532 | 119-0000-05 | 1/10W 0 ohm JW | TM201 | 073-0762-90 | TERMINAL |
| R412 | 119-1031-15 | 1/10W 10k ohm | R533 | 119-1531-15 | 1/10W 15k ohm | TM202 | 073-0762-90 | TERMINAL |
| R413 | 119-1031-15 | 1/10W 10k ohm | R534 | 119-1531-15 | 1/10W 15k ohm | TM501 | 073-0762-90 | TERMINAL |
| R414 | 119-1021-15 | 1/10W 1k ohm | R535 | 119-6821-15 | 1/10W 6.8k ohm | X301 | 061-3560-90 | 3.145728MHz AT-41CD2 |
| R416 | 119-0000-05 | 1/10W 0 ohm JW | R536 | 119-6821-15 | 1/10W 6.8k ohm | X401 | 061-3537-90 | 41.6MHz |
| R417 | 119-1031-15 | 1/10W 10k ohm | R537 | 119-4731-15 | 1/10W 47k ohm | PWB | 039-3346-00 | PWB(WITHOUT COMPONENTS) |
| R418 | 119-1031-15 | 1/10W 10k ohm | R538 | 119-4731-15 | 1/10W 47k ohm | | | |
| R419 | 119-5631-15 | 1/10W 56k ohm | R541 | 119-2221-15 | 1/10W 2.2k ohm | | | |
| R420 | 119-5631-15 | 1/10W 56k ohm | R542 | 119-2221-15 | 1/10W 2.2k ohm | | | |
| R421 | 119-5631-15 | 1/10W 56k ohm | R543 | 119-2221-15 | 1/10W 2.2k ohm | | | |

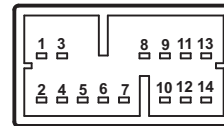
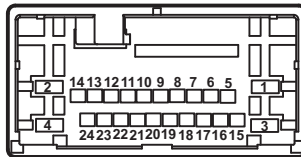
Switch PWB(B2) section

| REF No. | PART No. | DESCRIPTION | REF No. | PART No. | DESCRIPTION | REF No. | PART No. | DESCRIPTION |
|---------|-------------|-----------------|---------|-------------|------------------|---------|-------------|-------------------------|
| C600 | 166-1011-50 | 100pF CH | D673 | 001-9210-50 | AVR-M1608C270M | R642 | 119-0000-05 | 1/10W 0 ohm JW |
| C601 | 168-1042-78 | 16V 0.1uF K | | | TAAD | R643 | 119-0000-05 | 1/10W 0 ohm JW |
| C602 | 166-2201-50 | 22pF CH | D700 | 001-7110-92 | NESB064EE5TKML | R644 | 119-0000-05 | 1/10W 0 ohm JW |
| C603 | 166-1011-50 | 100pF CH | | | P4LP7 | R645 | 119-0000-05 | 1/10W 0 ohm JW |
| C604 | 166-2201-50 | 22pF CH | D701 | 001-7110-92 | NESB064EE5TKML | R646 | 119-0000-05 | 1/10W 0 ohm JW |
| C606 | 166-1011-50 | 100pF CH | | | P4LP7 | R647 | 119-8211-15 | 1/10W 820 ohm |
| C608 | 168-1042-78 | 16V 0.1uF K | D702 | 001-7110-92 | NESB064EE5TKML | R648 | 119-8211-15 | 1/10W 820 ohm |
| C609 | 168-1022-55 | 1000pF K | | | P4LP7 | R649 | 119-8211-15 | 1/10W 820 ohm |
| C630 | 166-2201-50 | 22pF CH | D703 | 001-7110-92 | NESB064EE5TKML | R650 | 119-8211-15 | 1/10W 820 ohm |
| C650 | 166-1007-50 | 10pF CH | | | P4LP7 | R651 | 119-0000-05 | 1/10W 0 ohm JW |
| C651 | 166-1007-50 | 10pF CH | D704 | 001-7110-92 | NESB064EE5TKML | R652 | 119-0000-05 | 1/10W 0 ohm JW |
| C660 | 168-1042-78 | 16V 0.1uF K | | | P4LP7 | R660 | 116-1521-15 | 1/4W 1.5k ohm |
| C700 | 168-1022-55 | 1000pF K | D705 | 001-7110-92 | NESB064EE5TKML | R670 | 119-0000-05 | 1/10W 0 ohm JW |
| C701 | 168-1022-55 | 1000pF K | | | P4LP7 | R692 | 119-0000-05 | 1/10W 0 ohm JW |
| C702 | 168-4732-78 | 0.047uF K | D706 | 001-7110-92 | NESB064EE5TKML | R700 | 119-2211-15 | 1/10W 220 ohm |
| C703 | 168-4732-78 | 0.047uF K | | | P4LP7 | R701 | 119-2211-15 | 1/10W 220 ohm |
| C704 | 168-4732-78 | 0.047uF K | D707 | 001-7110-92 | NESB064EE5TKML | R702 | 119-2211-15 | 1/10W 220 ohm |
| C705 | 168-4732-78 | 0.047uF K | | | P4LP7 | R703 | 119-2211-15 | 1/10W 220 ohm |
| C706 | 168-4732-78 | 0.047uF K | D708 | 001-7110-92 | NESB064EE5TKML | R704 | 119-2211-15 | 1/10W 220 ohm |
| C709 | 168-4732-78 | 0.047uF K | | | P4LP7 | R705 | 119-2211-15 | 1/10W 220 ohm |
| D600 | 001-7111-95 | NHSB046A | D709 | 001-7110-92 | NESB064EE5TKML | R706 | 119-0000-05 | 1/10W 0 ohm JW |
| D601 | 001-7111-95 | NHSB046A | | | P4LP7 | R707 | 119-0000-05 | 1/10W 0 ohm JW |
| D604 | 001-7111-95 | NHSB046A | IC103 | 051-7239-08 | TC74VHCT08AFT-EL | R708 | 119-0000-05 | 1/10W 0 ohm JW |
| D605 | 001-7111-95 | NHSB046A | | | | R709 | 119-4721-15 | 1/10W 4.7k ohm |
| D608 | 001-7111-95 | NHSB046A | IC700 | 051-6047-00 | LC75804W | R710 | 119-2731-15 | 1/10W 27k ohm |
| D609 | 001-7111-95 | NHSB046A | IC701 | 051-6047-00 | LC75804W | R711 | 119-2731-15 | 1/10W 27k ohm |
| D612 | 001-2630-90 | 1SS420-TPL3,F | J600 | 074-2229-26 | SOCKET (26P) | R712 | 119-0000-05 | 1/10W 0 ohm JW |
| D613 | 001-2630-90 | 1SS420-TPL3,F | J602 | 074-3014-56 | SOCKET (6P) | R713 | 119-0000-05 | 1/10W 0 ohm JW |
| D614 | 001-2630-90 | 1SS420-TPL3,F | J604 | 076-6000-56 | SOCKET (6P) | R714 | 119-0000-05 | 1/10W 0 ohm JW |
| D615 | 001-2630-90 | 1SS420-TPL3,F | J605 | 074-3014-76 | SOCKET (26P) | R715 | 119-0000-05 | 1/10W 0 ohm JW |
| D616 | 001-2630-90 | 1SS420-TPL3,F | J606 | 074-3014-62 | SOCKET (12P) | R716 | 119-0000-05 | 1/10W 0 ohm JW |
| D617 | 001-7111-96 | NHSB046A | J608 | 075-0306-00 | JACK | R717 | 119-0000-05 | 1/10W 0 ohm JW |
| D618 | 001-7111-96 | NHSB046A | J700 | 074-2229-26 | SOCKET (26P) | R718 | 119-0000-05 | 1/10W 0 ohm JW |
| D621 | 001-7111-96 | NHSB046A | L701 | 010-3105-62 | 1k ohm/100MHz | R719 | 119-0000-05 | 1/10W 0 ohm JW |
| D622 | 001-7111-96 | NHSB046A | LCD700 | 379-1414-43 | INDICATOR (LCD) | R720 | 119-0000-05 | 1/10W 0 ohm JW |
| D625 | 001-2630-90 | 1SS420-TPL3,F | P601 | 076-3011-56 | PLUG (6P) | R721 | 119-0000-05 | 1/10W 0 ohm JW |
| D626 | 001-2630-90 | 1SS420-TPL3,F | Q600 | 192-4081-00 | 2SC4081 | R723 | 116-1011-15 | 1/4W 100 ohm |
| D627 | 001-2630-90 | 1SS420-TPL3,F | Q601 | 192-4081-00 | 2SC4081 | R724 | 116-1011-15 | 1/4W 100 ohm |
| D628 | 001-2630-90 | 1SS420-TPL3,F | R600 | 119-1011-15 | 1/10W 100 ohm | R725 | 116-1011-15 | 1/4W 100 ohm |
| D629 | 001-2630-90 | 1SS420-TPL3,F | R601 | 119-1011-15 | 1/10W 100 ohm | R726 | 116-1011-15 | 1/4W 100 ohm |
| D630 | 001-7111-95 | NHSB046A | R602 | 119-1011-15 | 1/10W 100 ohm | R727 | 116-1011-15 | 1/4W 100 ohm |
| D631 | 001-7111-95 | NHSB046A | R603 | 119-1011-15 | 1/10W 100 ohm | S600 | 013-6201-53 | SKPMAPE010 |
| D634 | 001-2630-90 | 1SS420-TPL3,F | R604 | 119-1011-15 | 1/10W 100 ohm | S601 | 013-6201-53 | SKPMAPE010 |
| D635 | 001-2630-90 | 1SS420-TPL3,F | R605 | 119-1011-15 | 1/10W 100 ohm | S602 | 013-6201-53 | SKPMAPE010 |
| D636 | 001-2630-90 | 1SS420-TPL3,F | R606 | 119-1011-15 | 1/10W 100 ohm | S603 | 013-6201-53 | SKPMAPE010 |
| D637 | 001-2630-90 | 1SS420-TPL3,F | R607 | 119-1011-15 | 1/10W 100 ohm | S604 | 013-6201-53 | SKPMAPE010 |
| D638 | 001-2630-90 | 1SS420-TPL3,F | R608 | 119-1011-15 | 1/10W 100 ohm | S605 | 013-6201-53 | SKPMAPE010 |
| D639 | 001-7063-95 | RBR1102W D,E | R609 | 116-6811-15 | 1/4W 680 ohm | S606 | 013-6201-53 | SKPMAPE010 |
| D640 | 001-7103-91 | CL-191S-MG-D-T | R610 | 119-2211-15 | 1/10W 220 ohm | S607 | 013-6201-53 | SKPMAPE010 |
| D641 | 001-0529-36 | MA8062-H | R611 | 116-6811-15 | 1/4W 680 ohm | S608 | 013-6201-53 | SKPMAPE010 |
| D642 | 001-2630-90 | 1SS420-TPL3,F | R612 | 119-2211-15 | 1/10W 220 ohm | S609 | 013-6206-50 | SKPMAPE010 |
| D643 | 001-2630-90 | 1SS420-TPL3,F | R613 | 116-1021-15 | 1/4W 1k ohm | S610 | 013-6206-50 | SKPMAPE010 |
| D644 | 001-2630-90 | 1SS420-TPL3,F | R614 | 119-2211-15 | 1/10W 220 ohm | S611 | 013-6206-50 | SKPMAPE010 |
| D645 | 001-2630-90 | 1SS420-TPL3,F | R615 | 116-6811-15 | 1/4W 680 ohm | S612 | 013-6201-53 | SKPMAPE010 |
| D646 | 001-2630-90 | 1SS420-TPL3,F | R616 | 119-2211-15 | 1/10W 220 ohm | S613 | 013-6201-53 | SKPMAPE010 |
| D651 | 001-9210-50 | AVR-M1608C270M | R617 | 116-6811-15 | 1/4W 680 ohm | S614 | 013-6206-50 | SKPMAPE010 |
| | | TAAD | R619 | 116-1021-15 | 1/4W 1k ohm | S615 | 013-6206-50 | SKPMAPE010 |
| D652 | 001-9210-50 | AVR-M1608C270M | R621 | 119-2221-15 | 1/10W 2.2k ohm | S616 | 013-6206-50 | SKPMAPE010 |
| | | TAAD | R622 | 119-3321-15 | 1/10W 3.3k ohm | S617 | 013-6201-53 | SKPMAPE010 |
| D653 | 001-9210-50 | AVR-M1608C270M | R623 | 119-1811-15 | 1/10W 180 ohm | S618 | 013-6206-50 | SKPMAPE010 |
| | | TAAD | R624 | 119-1031-15 | 1/10W 10k ohm | S619 | 013-6206-50 | SKPMAPE010 |
| D654 | 001-9210-50 | AVR-M1608C270M | R625 | 119-1031-15 | 1/10W 10k ohm | S620 | 013-6207-50 | SKPMAPE010 |
| | | TAAD | R626 | 119-1031-15 | 1/10W 10k ohm | S650 | 016-7004-00 | ROTARY SWITCH |
| D655 | 001-9210-50 | AVR-M1608C270M | R627 | 116-1021-15 | 1/4W 1k ohm | TM602 | 073-0786-90 | TERMINAL |
| | | TAAD | R628 | 119-1031-15 | 1/10W 10k ohm | TM603 | 073-0786-90 | TERMINAL |
| D660 | 001-7111-97 | NHSB046A (BLUE) | R631 | 119-0000-05 | 1/10W 0 ohm JW | PWB | 039-3347-00 | PWB(WITHOUT COMPONENTS) |
| D670 | 001-9210-50 | AVR-M1608C270M | R632 | 119-0000-05 | 1/10W 0 ohm JW | | | |
| | | TAAD | R633 | 119-0000-05 | 1/10W 0 ohm JW | | | |
| D671 | 001-9210-50 | AVR-M1608C270M | R634 | 119-0000-05 | 1/10W 0 ohm JW | | | |
| | | TAAD | R639 | 119-0000-05 | 1/10W 0 ohm JW | | | |
| D672 | 001-9210-50 | AVR-M1608C270M | R640 | 119-0000-05 | 1/10W 0 ohm JW | | | |
| | | TAAD | R641 | 119-0000-05 | 1/10W 0 ohm JW | | | |

CONNECTIONS



| | |
|---|---------|
| A | ANT IN |
| B | ANT GND |
| C | ANT +B |



| | | | |
|----|------------|----|----------|
| 1 | MAIN GND | 13 | K-LINE |
| 2 | ILL- BULB | 14 | TEL MUTE |
| 3 | +B | 15 | FL+ |
| 4 | ILL+ | 16 | FL- |
| 5 | RL+ | 17 | N.C |
| 6 | RL- | 18 | N.C |
| 7 | N.C | 19 | FR+ |
| 8 | N.C | 20 | FR- |
| 9 | RR+ | 21 | N.C |
| 10 | RR- | 22 | REMOTE |
| 11 | REMOTE GND | 23 | VSP |
| 12 | SCTY | 24 | ACC |

| | |
|----|------------|
| 1 | +B |
| 2 | +B |
| 3 | SYS ACC |
| 4 | ILL |
| 5 | BUS+ |
| 6 | BUS- |
| 7 | MAIN GND |
| 8 | BUS GND |
| 9 | GND SHIELD |
| 10 | N.C |
| 11 | R+ |
| 12 | R- |
| 13 | L+ |
| 14 | L- |