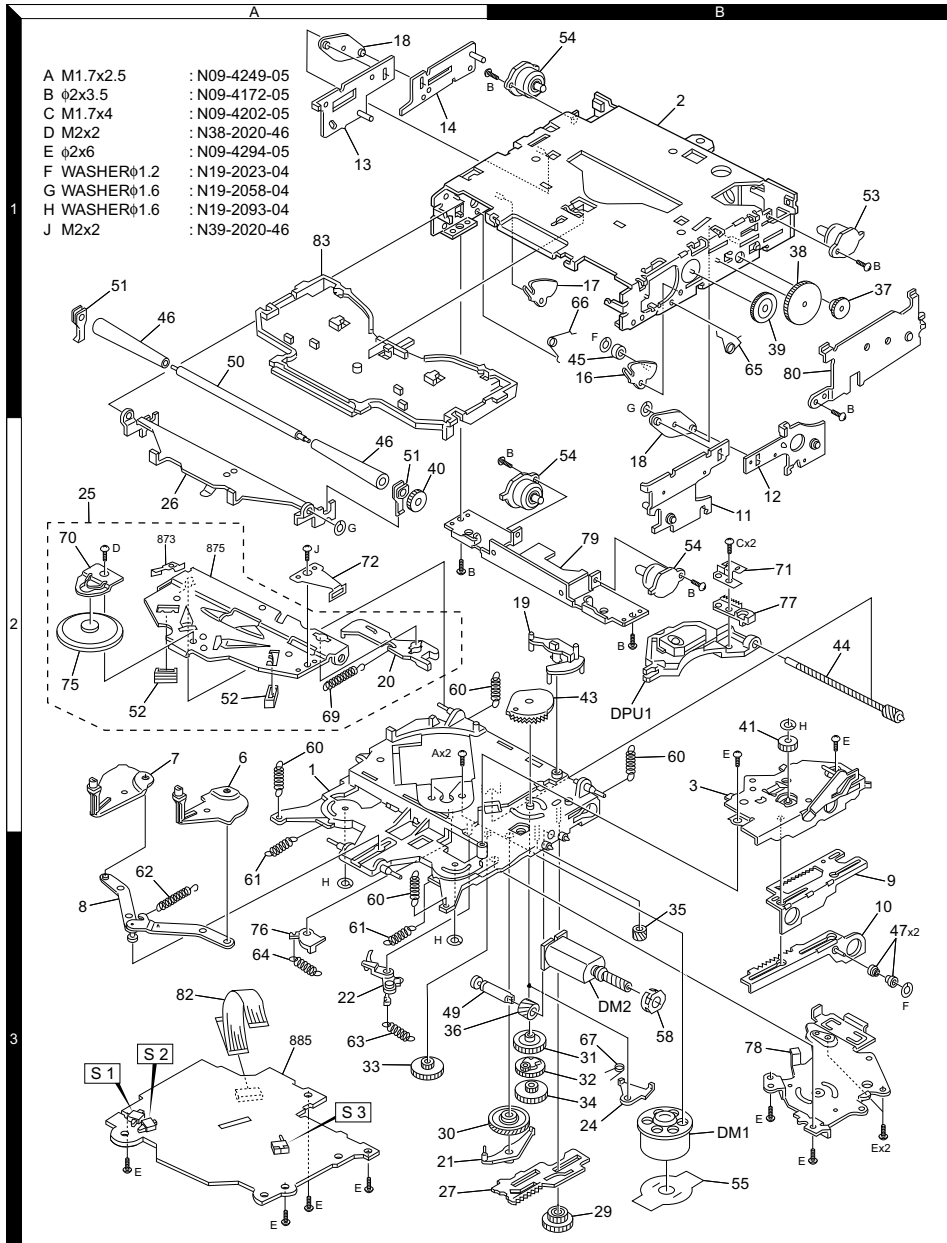
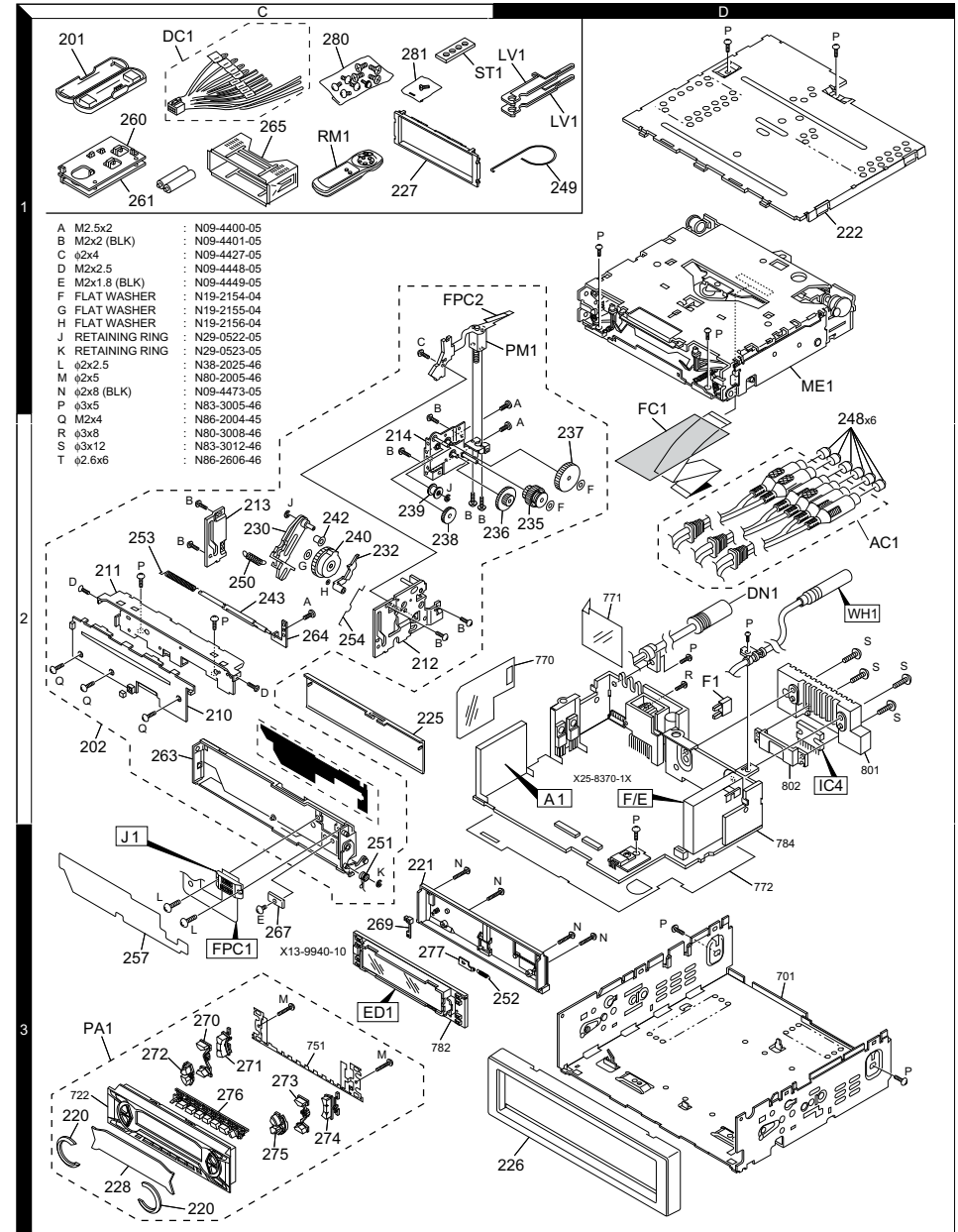


KDC-X917/X817/9017 EXPLODED VIEW (CD MECHANISM)



Parts with exploded numbers larger than 700 are not supplied.

KDC-X917/X817/9017 EXPLODED VIEW (UNIT)



Parts with exploded numbers larger than 700 are not supplied.

KDC-X917/X817/9017

PARTS LIST

* New Parts

Parts without Parts No. are not supplied.

Les articles non mentionnes dans le Parts No. ne sont pas fournis.

Teile ohne Parts No. werden nicht geliefert.

KDC-X917/X817/9017

Ref.No.	A d d	N e w	Parts No.	Description	Dest inati on
KDC-X917/X817/9017					
201	1C		A02-1497-03	PLASTIC CABINET ASSY	
202	2C	*	A10-4803-02	CHASSIS ASSY	
210	2C		A22-2865-03	SUB PANEL ASSY	
211	2C		A10-4805-02	CHASSIS	
212	2C		A10-4807-03	CHASSIS CALKING ASSY	
213	2C		A10-4812-03	CHASSIS	
214	2C		A10-4810-03	CHASSIS CALKING ASSY	
220	3C		A21-4069-03	DRESSING PANEL	
221	3C		A46-1690-01	REAR COVER	
222	1D		A52-0779-02	TOP PLATE	
PA1	3C	*	A64-2149-02	PANEL ASSY	K
PA1	3C	*	A64-2150-02	PANEL ASSY	K1
PA1	3C	*	A64-2151-02	PANEL ASSY	K2
RM1	1C		A70-0883-05	REMOTE CONTROLLER ASSY	K2
RM1	1C		A70-0894-05	REMOTE CONTROLLER ASSY	K,K1
225	2C		B03-3072-02	DRESSING PLATE	K,K1
225	2C		B03-3073-02	DRESSING PLATE	K2
226	3D		B07-3006-03	ESCUTCHEON ASSY	K,K1
226	3D		B07-3007-03	ESCUTCHEON ASSY	K2
227	1C		B07-3010-02	ESCUTCHEON	
228	3C	*	B10-3252-01	FRONT GLASS	K
228	3C	*	B10-3253-01	FRONT GLASS	K1
228	3C	*	B10-3254-01	FRONT GLASS	K2
-			B46-0100-50	WARRANTY CARD	
-			B46-0606-04	ID CARD	
-			B46-0631-13	USER CARD	K,K1
-			B58-1366-04	CAUTION CARD	
-		*	B64-1891-00	INSTRUCTION MANUAL E	
-		*	B64-1892-00	INSTRUCTION MANUAL F,S	
230	2C		D10-4563-04	ARM ASSY	
232	2C		D10-4590-04	ARM	
235	2D		D13-2135-04	GEAR ASSY	
236	2D		D13-2138-04	GEAR	
237	2D		D13-2139-04	GEAR	
238	2C		D13-2140-04	GEAR	
239	2C		D13-2141-04	GEAR ASSY	
240	2C		D13-2165-03	GEAR ASSY	
242	2C		D14-0754-04	ROLLER	
243	2C		D14-0760-03	ROLLER	
LV1	1D		D10-4562-04	LEVER	
AC1	2D		E30-4934-05	CORD WITH PINPLUG	K,K1
AC1	2D		E30-4935-05	CORD WITH PINPLUG	K2
DC1	1C		E30-4939-05	DC CORD	K,K1
DC1	1C		E30-4940-05	DC CORD	K2
DN1	2D		E30-4945-05	CORD WITH DIN CONNECTOR	
FC1	2D		E39-0375-05	FLAT CABLE	
J1	3C		E58-0903-05	RECTANGULAR REC	
248	2D		F29-0049-05	INSULATING COVER	
F1	2D		F52-0006-05	FUSE(MINI BLADE TYPE)	
F1	2D		F52-0011-05	FUSE(MINI BLADE TYPE)	
249	1D		G01-2924-04	TORSION COIL SPRING	

Ref.No.	A d d	N e w	Parts No.	Description	Dest inati on
250	2C		G01-3065-04	EXTENSION SPRING	
251	3C		G01-3066-04	TORSION COIL SPRING	
252	3C		G01-3069-04	EXTENSION SPRING	
253	2C		G01-3080-04	TORSION COIL SPRING	
254	2C		G09-2038-04	FORMED WIRE	
257	3C		G16-1177-04	SHEET	
-			H10-4764-02	POLYSTYRENE FOAMED FIXTURE	
-			H25-0329-04	PROTECTION BAG (280X450X0.03)	
-			H25-0337-04	PROTECTION BAG (180X300X0.03)	
-			H25-1108-04	PROTECTION BAG (100X300X0.03)	
-			H30-0544-04	ADHESIVE DOUBLE-COATED TAPE	
-		*	H54-2020-03	ITEM CARTON CASE	K
-		*	H54-2021-03	ITEM CARTON CASE	K1
-		*	H54-2022-03	ITEM CARTON CASE	K2
260	1C		J19-5051-03	BRACKET L	
261	1C		J19-5052-03	BRACKET R	
263	2C		J21-9651-03	MOUNTING HARDWARE ASSY	
264	2C		J21-9699-04	MOUNTING HARDWARE	
265	1C		J21-9716-03	MOUNTING HARDWARE ASSY	
267	3C		J90-0999-04	GUIDE	
FPC1	3C		J84-0121-12	FLEXIBLE PRINTED WIRING BOARD	
FPC2	1C		J84-0122-04	FLEXIBLE PRINTED WIRING BOARD	
ST1	1C		J54-0606-04	STAY	
269	3C		K24-3646-04	KNOB OPEN	
270	3C		K25-1215-03	KNOB EJECT	
271	3C		K25-1216-03	KNOB VOL	
272	3C		K25-1217-03	KNOB ATT	
273	3C		K25-1218-03	KNOB FM,AM	
274	3C		K25-1219-03	KNOB UP,DOWN	
275	3C		K25-1220-03	KNOB SRC	
276	3C		K25-1221-03	KNOB 1-6	
277	3C		K29-7017-03	KNOB LOCK	
280	1C		N99-1652-05	SCREW SET	
281	1D		N99-1704-05	SCREW SET	
A	2C		N09-4400-05	MACHINE SCREW	
B	2C		N09-4401-05	MACHINE SCREW	
C	1C		N09-4427-05	TAPTITE SCREW	
D	2C		N09-4448-05	MACHINE SCREW	
E	3C		N09-4449-05	MACHINE SCREW	
F	2D		N19-2154-04	FLAT WASHER	
G	2C		N19-2155-04	FLAT WASHER	
H	2C		N19-2156-04	FLAT WASHER	
J	2C		N29-0522-05	RETAINING RING	
K	3C		N29-0523-05	RETAINING RING	
L	3C		N38-2025-46	PAN HEAD MACHIN SCREW	
M	3C		N80-2005-46	PAN HEAD TAPTITE SCREW	
N	3D		N09-4473-05	MACHINE SCREW	
P	1D		N83-3005-46	PAN HEAD TAPTITE SCREW	
Q	2C		N86-2004-45	BINDING HEAD TAPTITE SCREW	
PM1	1C		T42-1034-04	MOTOR ASSY	
ME1	1D		X92-4100-00	MECHANISM ASSY	

K: KDC-X917 K1: KDC-X817 K2: KDC-9017

⚠ indicates safety critical components.

KDC-X917/X817/9017

PARTS LIST

* New Parts

Parts without Parts No. are not supplied.

Les articles non mentionnes dans le Parts No. ne sont pas fournis.

Teile ohne Parts No. werden nicht geliefert.

SWITCH UNIT(X13-9940-10)
SUB CIRCUIT UNIT(X16-1180-10)
ELECTRIC UNIT(X25-8730-1X)

Ref.No.	A d d	N e w	Parts No.	Description	Dest inati on
SWITCH UNIT (X13-9940-10)					
C1			CK73GB1H103K	CHIP C 0.010UF K	
C2			CK73GB0J105K	CHIP C 1.0UF K	
C3-7			CK73GB1H103K	CHIP C 0.010UF K	
C8,9			CK73FB1A225K	CHIP C 2.2UF K	
C10			CK73EB0J106K	CHIP C 10UF K	
C11			CK73FB1A225K	CHIP C 2.2UF K	
C12			C93-1174-05	CERAMIC CAPACITOR (TYPE 2)	
C14			CK73GB1C104K	CHIP C 0.10UF K	
C14			CK73GB1H104K	CHIP C 0.10UF K	
C15			CK73EB1A475K	CHIP C 4.7UF K	
C16			CK73GB0J105K	CHIP C 1.0UF K	
C17			CK73GB1H103K	CHIP C 0.010UF K	
C18			CK73GB1C104K	CHIP C 0.10UF K	
C18			CK73GB1H104K	CHIP C 0.10UF K	
C19			CC73GCH1H101J	CHIP C 100PF J	
J1			E59-0835-05	RECTANGULAR PLUG	
L1			L92-0332-05	CHIP FERRITE	
L8			L92-0332-05	CHIP FERRITE	
L9-11			L40-1015-34	SMALL FIXED INDUCTOR	
L12			L92-0332-05	CHIP FERRITE	
X1			L78-0821-05	RESONATOR	
CP1			R90-0714-05	MULTI-COMP 10K X4	
CP2			R90-1014-05	MULTI-COMP 100 X4	
CP3			R90-0724-05	MULTI-COMP 1K X4	
CP4			R90-1022-05	MULTI-COMP 470 X2	
CP13-16			R90-0748-05	MULTI-COMP 47K X4	
CP17-20			R90-1014-05	MULTI-COMP 100 X4	
CP21			R90-1020-05	MULTI-COMP 22K X2	
CP22			R90-1019-05	MULTI-COMP 100 X2	
R1			R92-2565-05	METAL GLAZE RESISTOR	
R2			R92-0365-05	CHIP R 1.0K J 1/2W	
R3			RK73GB1J153J	CHIP R 15K J 1/16W	
R4,5			RK73GB1J274J	CHIP R 270K J 1/16W	
R6			RK73GB1J103J	CHIP R 10K J 1/16W	
R7			RK73EB2B101J	CHIP R 100 J 1/8W	
R8			RK73GB1J103J	CHIP R 10K J 1/16W	
R9			RK73GB1J102J	CHIP R 1.0K J 1/16W	
R11			RK73GB1J104J	CHIP R 100K J 1/16W	
R12			RK73GB1J102J	CHIP R 1.0K J 1/16W	
R13			RK73GB1J512J	CHIP R 5.1K J 1/16W	
R14			RK73GB1J102J	CHIP R 1.0K J 1/16W	
R17			RK73FB2A100J	CHIP R 10 J 1/10W	
R18			RK73FB2A101J	CHIP R 100 J 1/10W	
R19			RK73GB1J102J	CHIP R 1.0K J 1/16W	
R20			RK73GB1J103J	CHIP R 10K J 1/16W	
R21			RK73GB1J225J	CHIP R 2.2M J 1/16W	
R22			RK73GB1J473J	CHIP R 47K J 1/16W	
R23			RK73GB1J103J	CHIP R 10K J 1/16W	
R24			RK73GB1J102J	CHIP R 1.0K J 1/16W	
R25			RK73FB2A220J	CHIP R 22 J 1/10W	
R26			RK73GB1J222J	CHIP R 2.2K J 1/16W	
R27,28			RK73GB1J104J	CHIP R 100K J 1/16W	

Ref.No.	A d d	N e w	Parts No.	Description	Dest inati on
R29			RK73GB1J103J	CHIP R 10K J 1/16W	
R30,31			RK73GB1J223J	CHIP R 22K J 1/16W	
R33-36			RK73GB1J101J	CHIP R 100 J 1/16W	
R39			RK73GB1J101J	CHIP R 100 J 1/16W	
R40			RK73GB1J102J	CHIP R 1.0K J 1/16W	
S1-18			S70-0856-05	TACT SWITCH	
S19,20			S70-0857-05	TACT SWITCH	
S21			S70-0851-05	TACT SWITCH	
S22			S70-0864-05	TACT SWITCH	
D1,2			DA227	DIODE	
D3			HZM5.6N(B2)	ZENER DIODE	
D3			MA3056-M	ZENER DIODE	
D3			O2CZ5.6-Y	ZENER DIODE	
D4,5			MA3062WA	ZENER DIODE	
D6			DA204U	DIODE	
D7			MA3062WA	ZENER DIODE	
ED1			MN14424A	FLUORESCENT INDICATOR TUBE	
IC1			UPD703033GC058	MI-COM IC	
IC2			BA3830F	ANALOGUE IC	
IC3			RS-171	ANALOGUE IC	
IC4			MSM531622F90TS	MEMORY IC	
IC5			LP2982-3.3	ANALOGUE IC	
IC6			TC74HC4050AFT	MOS-IC	
Q2			DTA144EUA	DIGITAL TRANSISTOR	
Q2			KRA304	DIGITAL TRANSISTOR	
Q3			DTA124EUA	DIGITAL TRANSISTOR	
Q3			KRA303	DIGITAL TRANSISTOR	
Q4-8			DTC114EUA	DIGITAL TRANSISTOR	
Q4-8			KRC402	DIGITAL TRANSISTOR	
SUB CIRCUIT UNIT (X16-1180-10)					
J1	3C		E58-0903-05	RECTANGULAR RECEPTACLE	
FPC1	3C	*	J84-0121-12	FLEXIBLE PRINTED WIRING BOARD	
ELECTRIC UNIT (X25-8730-1X)					
C1			C90-2822-05	ELECTRO 3900UF 16WV	K2
C1			C90-5377-05	ALMINIUM ELECTROLYTIC C.	K,K1
C2			CK73GB1H222K	CHIP C 2200PF K	
C3			C90-2866-05	ELECTRO 220UF 16WV	
C4			CK73GB1H103K	CHIP C 0.010UF K	
C5			C90-2594-05	ELECTRO 10UF 10WV	
C6			CE04CW0J101M	ELECTRO 100UF 6.3WV	
C7			CK73FB1C105K	CHIP C 1.0UF K	
C8			CE04CW1A221M	ELECTRO 220UF 10WV	
C9			CE04CW1A101M	ELECTRO 100UF 10WV	
C10			CK73GB1H103K	CHIP C 0.010UF K	
C11			C90-2962-05	ELECTRO 100UF 16WV	
C12			CK73GB1H103K	CHIP C 0.010UF K	
C13			C90-2962-05	ELECTRO 100UF 16WV	
C14			CK73FB1A225K	CHIP C 2.2UF K	
C15			C90-5375-05	ALMINIUM ELECTROLYTIC C.	
C17,18			CK73GB1H153K	CHIP C 0.015UF K	
C21			CK73GB1E223K	CHIP C 0.022UF K	
C21			CK73GB1H223K	CHIP C 0.022UF K	
C22			C90-2608-05	ELECTRO 1.0UF 50WV	

K: KDC-X917 K1: KDC-X817 K2: KDC-9017

▲ indicates safety critical components.

KDC-X917/X817/9017

PARTS LIST

* New Parts

Parts without Parts No. are not supplied.

Les articles non mentionnes dans le Parts No. ne sont pas fournis.

Teile ohne Parts No. werden nicht geliefert.

ELECTRIC UNIT(X25-8730-1X)

Ref.No.	A d d	N e w	Parts No.	Description	Dest inati on	Ref.No.	A d d	N e w	Parts No.	Description	Dest inati on
C23			C90-2595-05	ELECTRO 4.7UF 16WV		C114			CE04CW1C220M	ELECTRO 22UF 16WV	
C24			C90-2962-05	ELECTRO 100UF 16WV		C115			C90-2608-05	ELECTRO 1.0UF 50WV	
C25-28			CK73EB1C225K	CHIP C 2.2UF K		C116			C90-2606-05	ELECTRO 0.47UF 50WV	
C29			CE04CWJ470M	ELECTRO 22UF 16WV		C117-120			C90-5296-05	NP-ELECT 0.22UF 50WV	
C30			CK73GB1E223K	CHIP C 0.022UF K		C129			CK73GB1C104K	CHIP C 0.10UF K	
C30			CK73GB1H223K	CHIP C 0.022UF K		C129			CK73GB1H104K	CHIP C 0.10UF K	
C31			CK73GB1H103K	CHIP C 0.010UF K		C131			CK73GB1H103K	CHIP C 0.010UF K	
C32,33			C90-2595-05	ELECTRO 4.7UF 16WV		C133			CK73GB1H103K	CHIP C 0.010UF K	
C34			C90-2598-05	ELECTRO 3.3UF 25WV		C135			CK73GB1H103K	CHIP C 0.010UF K	
C35			CK73GB1C683K	CHIP C 0.068UF K		C137			CK73GB1H103K	CHIP C 0.010UF K	
C36			C90-2602-05	ELECTRO 0.10UF 50WV		C139			CK73GB1H103K	CHIP C 0.010UF K	
C37			CK73GB1H102K	CHIP C 1000PF K		C141			CC73GCH1H331J	CHIP C 330PF J	K,K1
C38,39			CK73GB1H103K	CHIP C 0.010UF K		C142,143			C90-2594-05	ELECTRO 10UF 10WV	K,K1
C40			CE04CWJ470M	ELECTRO 47UF 6.3WV		C144			CK73GB1H103K	CHIP C 0.010UF K	K,K1
C41			CK73GB1H103K	CHIP C 0.010UF K		C145,146			CC73GCH1H100D	CHIP C 10PF D	K,K1
C42			CC73GCH1H220J	CHIP C 22PF J		C147,148			CK73GB1A224K	CHIP C 0.22UF K	
C43			CC73GCH1H270J	CHIP C 27PF J		C149			CK73GB1C104K	CHIP C 0.10UF K	
C44,45			CK73GB0J105K	CHIP C 1.0UF K		C149			CK73GB1H104K	CHIP C 0.10UF K	
C46			CK73GB1H102K	CHIP C 1000PF K		C150			CK73GB1H222K	CHIP C 2200PF K	
C48			CK73GB1H103K	CHIP C 0.010UF K		CN1			E40-3241-05	PIN ASSY	K2
C49-53			C90-2595-05	ELECTRO 4.7UF 16WV		CN1			E40-5066-05	PIN ASSY	K,K1
C54			CK73GB1H103K	CHIP C 0.010UF K		CN2			E40-3237-05	PIN ASSY	
C55			CK73FB1C105K	CHIP C 1.0UF K		CN3			E40-3266-05	PIN ASSY	
C60			C90-2608-05	ELECTRO 1.0UF 50WV	K,K1	CN4			E40-3261-05	PIN ASSY	
C61			CE04CW1C470M	ELECTRO 47UF 16WV		CN5			E40-9550-05	FLAT CABLE CONNECTOR	
C62			CK73GB1H103K	CHIP C 0.010UF K		CN6			E40-9557-05	FLAT CABLE CONNECTOR	
C63			C90-2610-05	ELECTRO 2.2UF 50WV		CN7			E40-5031-05	FLAT CABLE CONNECTOR	
C65-68			C90-2606-05	ELECTRO 0.47UF 50WV		J1			E58-0863-15	RECTANGULAR RECEPTACLE	
C69			CE04CWJ470M	ELECTRO 47UF 6.3WV		WH1			E30-4804-05	CORD WITH PLUG	
C70			CK73GB1A474K	CHIP C 0.47UF K		WH1			E30-4932-05	CORD WITH PLUG	
C71			CC73GCH1H151J	CHIP C 150PF J		E1			J19-2826-05	HOLDER	
C72			CK73GB1E333K	CHIP C 0.033UF K		L1			L33-1170-05	CHOKE COIL ASSY	
C72			CK73GB1H333K	CHIP C 0.033UF K		L2			L33-1029-05	SMALL FIXED INDUCTOR	
C73			CK73GB1H103K	CHIP C 0.010UF K		L3			L40-2205-91	SMALL FIXED INDUCTOR(22UH,J)	
C74,75			CK73GB1C104K	CHIP C 0.10UF K		L4			L40-4795-91	SMALL FIXED INDUCTOR(4.7UH,J)	
C74,75			CK73GB1H104K	CHIP C 0.10UF K		L5			L92-0075-05	CHIP FERRITE	
C76-79			C90-2850-05	ELECTRO 10UF 10WV	K,K1	L6			L40-4795-91	SMALL FIXED INDUCTOR(4.7UH,J)	
C76,77			C90-2850-05	ELECTRO 10UF 10WV	K2	L7			L33-1039-05	LINE FILTER COIL	
C81,82			C90-2605-05	ELECTRO 0.33UF 50WV	K,K1	L9-13			L40-4795-91	SMALL FIXED INDUCTOR(4.7UH,J)	K2
C83,84			CK73FB1C334K	CHIP C 0.33UF K	K,K1	L9-14			L40-4795-91	SMALL FIXED INDUCTOR(4.7UH,J)	K,K1
C85,86			C90-5356-05	ALMINIUM ELECTROLYTIC C.	K,K1	X1			L78-0821-05	RESONATOR	
C87,88			CK73FB1C334K	CHIP C 0.33UF K	K,K1	X2			L77-2738-05	CRYSTAL RESONATOR	
C89-92			CK73GB1C104K	CHIP C 0.10UF K	K,K1	X3			L77-2002-05	CRYSTAL RESONATOR	K,K1
C89-92			CK73GB1H104K	CHIP C 0.10UF K	K,K1	P	2D		N83-3005-46	PAN HEAD TAPTITE SCREW	
C93,94			CE04CW1C220M	ELECTRO 22UF 16WV		R	2D		N80-3008-46	PAN HEAD TAPTITE SCREW	
C95,96			C90-2597-05	ELECTRO 10UF 16WV		S	2D		N83-3012-46	PAN HEAD TAPTITE SCREW	
C97,98			CK73GB1H222K	CHIP C 2200PF K		T	2D		N86-2606-46	BINDING HEAD TAPTITE SCREW	
C99,100			CE04CW1C220M	ELECTRO 22UF 16WV		R1			RK73FB2A223J	CHIP R 22K J 1/10W	
C101,102			C90-2597-05	ELECTRO 10UF 16WV		R2			RK73GB1J101J	CHIP R 100 J 1/16W	
C103,104			CK73GB1H222K	CHIP C 2200PF K		R3			RK73GB1J223J	CHIP R 22K J 1/16W	
C105,106			CE04CW1C220M	ELECTRO 22UF 16WV	K,K1	R4			RK73GB1J222J	CHIP R 2.2K J 1/16W	
C107,108			C90-2597-05	ELECTRO 10UF 16WV	K,K1	R6			RK73GB1J153J	CHIP R 15K J 1/16W	
C109,110			CK73GB1H222K	CHIP C 2200PF K	K,K1						
C111-113			CK73FB1H104K	CHIP C 0.10UF K	K,K1						
C111,112			CK73FB1H104K	CHIP C 0.10UF K	K2						

K: KDC-X917 K1: KDC-X817 K2: KDC-9017

⚠ indicates safety critical components.

KDC-X917/X817/9017

PARTS LIST

* New Parts

Parts without Parts No. are not supplied.

Les articles non mentionnés dans le Parts No. ne sont pas fournis.

Teile ohne Parts No. werden nicht geliefert.

ELECTRIC UNIT(X25-8730-1X)

Ref.No.	Added	Part No.	Description	Destination
R7		R92-3032-05	CHIP R 4.3K D 1/10W	
R8		R92-3047-05	CHIP R 24K D 1/10W	
R9,10		RK73FB2A152J	CHIP R 1.5K J 1/10W	
R11		R92-2104-05	CHIP R 2.2 J 1W	
R12		RK73FB2A103J	CHIP R 10K J 1/10W	
R13		RK73EB2B102J	CHIP R 1.0K J 1/8W	K,K1
R14		RK73FB2A561J	CHIP R 560 J 1/10W	K,K1
R16		RK73GB1J104J	CHIP R 100K J 1/16W	
R19		RK73EB2B103J	CHIP R 10K J 1/8W	
R20		RK73GB1J104J	CHIP R 100K J 1/16W	
R21		RK73FB2A102J	CHIP R 1.0K J 1/10W	
R22		RK73GB1J104J	CHIP R 100K J 1/16W	
R23		RK73GB1J750J	CHIP R 75 J 1/16W	
R24		RK73GB1J272J	CHIP R 2.7K J 1/16W	
R25		RK73GB1J470J	CHIP R 47 J 1/16W	
R26		RK73GB1J752J	CHIP R 7.5K J 1/16W	
R27		RK73GB1J563J	CHIP R 56K J 1/16W	
R28		RK73GB1J913J	CHIP R 91K J 1/16W	
R29		RK73GB1J470J	CHIP R 47 J 1/16W	
R30		RK73GB1J103J	CHIP R 10K J 1/16W	
R31,32		RK73GB1J913J	CHIP R 91K J 1/16W	
R33		RK73FB2A472J	CHIP R 4.7K J 1/10W	
R34		R92-0366-05	CHIP R 560 J 1W	
R36		RK73GB1J223J	CHIP R 22K J 1/16W	
R37		RK73FB2A472J	CHIP R 4.7K J 1/10W	
R38		RD14DB2H102J	SMALL-RD 1.0K J 1/2W	
R39		RK73FB2A223J	CHIP R 22K J 1/10W	
R40		RD14DB2H102J	SMALL-RD 1.0K J 1/2W	
R41		RK73FB2A123J	CHIP R 12K J 1/10W	
R42		RK73GB1J123J	CHIP R 12K J 1/16W	
R43		RK73GB1J562J	CHIP R 5.6K J 1/16W	
R44		RK73GB1J223J	CHIP R 22K J 1/16W	
R45		RD14DB2H332J	SMALL-RD 3.3K J 1/2W	
R47		RK73GB1J183J	CHIP R 18K J 1/16W	
R48		RK73GB1J104J	CHIP R 100K J 1/16W	
R49		RK73GB1J103J	CHIP R 10K J 1/16W	
R50		RK73GB1J102J	CHIP R 1.0K J 1/16W	
R51		RK73GB1J104J	CHIP R 100K J 1/16W	K1,K2
R52		RK73GB1J104J	CHIP R 100K J 1/16W	K
R53		RK73GB1J104J	CHIP R 100K J 1/16W	K1
R54		RK73GB1J104J	CHIP R 100K J 1/16W	K
R54,55		RK73GB1J104J	CHIP R 100K J 1/16W	K2
R56		RK73GB1J104J	CHIP R 100K J 1/16W	K,K1
R60		RK73GB1J104J	CHIP R 100K J 1/16W	
R62		RK73GB1J104J	CHIP R 100K J 1/16W	
R66,67		RK73GB1J104J	CHIP R 100K J 1/16W	
R69-74		RK73GB1J102J	CHIP R 1.0K J 1/16W	
R75		RK73GB1J222J	CHIP R 2.2K J 1/16W	
R77		RK73GB1J102J	CHIP R 1.0K J 1/16W	
R78		RK73GB1J105J	CHIP R 1.0M J 1/16W	
R79		RK73GB1J222J	CHIP R 2.2K J 1/16W	
R80		RK73GB1J102J	CHIP R 1.0K J 1/16W	
R81		RK73GB1J222J	CHIP R 2.2K J 1/16W	
R82		RK73GB1J102J	CHIP R 1.0K J 1/16W	
R83		RK73GB1J222J	CHIP R 2.2K J 1/16W	

Ref.No.	Added	Part No.	Description	Destination
R84		RK73GB1J102J	CHIP R 1.0K J 1/16W	
R85		RK73GB1J104J	CHIP R 100K J 1/16W	
R86		RK73GB1J222J	CHIP R 2.2K J 1/16W	
R88		RK73GB1J222J	CHIP R 2.2K J 1/16W	
R89-91		RK73GB1J102J	CHIP R 1.0K J 1/16W	K2
R91		RK73GB1J102J	CHIP R 1.0K J 1/16W	K,K1
R92,93		RK73GB1J104J	CHIP R 100K J 1/16W	
R94		RK73GB1J102J	CHIP R 1.0K J 1/16W	
R95		RK73GB1J104J	CHIP R 100K J 1/16W	K2
R97		RK73GB1J104J	CHIP R 100K J 1/16W	
R98		RK73GB1J472J	CHIP R 4.7K J 1/16W	
R99		RK73GB1J104J	CHIP R 100K J 1/16W	
R100,101		RK73GB1J222J	CHIP R 2.2K J 1/16W	
R102		RK73GB1J102J	CHIP R 1.0K J 1/16W	
R104		RK73GB1J104J	CHIP R 100K J 1/16W	
R107		RK73GB1J104J	CHIP R 100K J 1/16W	
R108		RK73GB1J471J	CHIP R 470 J 1/16W	
R109		RK73GB1J104J	CHIP R 100K J 1/16W	
R110		RK73GB1J471J	CHIP R 470 J 1/16W	
R113,114		RK73GB1J102J	CHIP R 1.0K J 1/16W	
R115		RK73GB1J471J	CHIP R 470 J 1/16W	
R116		RK73GB1J472J	CHIP R 4.7K J 1/16W	
R117		RK73GB1J471J	CHIP R 470 J 1/16W	
R118		RK73GB1J472J	CHIP R 4.7K J 1/16W	
R119		RK73GB1J102J	CHIP R 1.0K J 1/16W	
R120		RK73GB1J103J	CHIP R 10K J 1/16W	
R121		RK73GB1J102J	CHIP R 1.0K J 1/16W	
R122		RK73GB1J103J	CHIP R 10K J 1/16W	
R124		RK73GB1J103J	CHIP R 10K J 1/16W	
R125		RK73GB1J473J	CHIP R 47K J 1/16W	
R126		RK73GB1J104J	CHIP R 100K J 1/16W	
R127		RK73GB1J222J	CHIP R 2.2K J 1/16W	
R130,131		RK73EB2B472J	CHIP R 4.7K J 1/8W	
R132-134		RK73EB2B101J	CHIP R 100 J 1/8W	
R135-137		RK73EB2B472J	CHIP R 4.7K J 1/8W	
R140		RK73GB1J473J	CHIP R 47K J 1/16W	
R141		RK73GB1J153J	CHIP R 15K J 1/16W	
R142		RK73GB1J102J	CHIP R 1.0K J 1/16W	
R143		RK73GB1J473J	CHIP R 47K J 1/16W	
R144		RK73GB1J333J	CHIP R 33K J 1/16W	
R145		RK73GB1J473J	CHIP R 47K J 1/16W	
R146		RK73GB1J821J	CHIP R 820 J 1/16W	
R147,148		RK73GB1J103J	CHIP R 10K J 1/16W	
R150		RK73GB1J472J	CHIP R 4.7K J 1/16W	
R151		RK73GB1J103J	CHIP R 10K J 1/16W	
R152		RK73GB1J472J	CHIP R 4.7K J 1/16W	
R153,154		RK73GB1J334J	CHIP R 330K J 1/16W	
R155,156		RK73EB2B100J	CHIP R 10 J 1/8W	
R157		RK73EB2B4R7J	CHIP R 4.7 J 1/8W	
R158		RK73GB1J102J	CHIP R 1.0K J 1/16W	
R161,162		RK73FB2A361J	CHIP R 360 J 1/10W	
R163,164		RK73FB2A222J	CHIP R 2.2K J 1/10W	
R165,166		RK73FB2A103J	CHIP R 10K J 1/10W	
R167,168		RK73FB2A223J	CHIP R 22K J 1/10W	
R169,170		RK73FB2A820J	CHIP R 82 J 1/10W	

K: KDC-X917 K1: KDC-X817 K2: KDC-9017

▲ indicates safety critical components.

KDC-X917/X817/9017

PARTS LIST

* New Parts

Parts without Parts No. are not supplied.

Les articles non mentionnes dans le Parts No. ne sont pas fournis.

Teile ohne Parts No. werden nicht geliefert.

ELECTRIC UNIT(X25-8730-1X)

Ref.No.	A d d	N e w	Parts No.	Description	Dest inati on	Ref.No.	A d d	N e w	Parts No.	Description	Dest inati on
R171,172			RK73FB2A361J	CHIP R 360 J 1/10W		D21			DA204K	DIODE	
R173,174			RK73FB2A222J	CHIP R 2.2K J 1/10W		D21			KDS226	DIODE	
R175,176			RK73FB2A103J	CHIP R 10K J 1/10W		D22-24			HZS6C1	ZENER DIODE	
R177,178			RK73FB2A223J	CHIP R 22K J 1/10W		D22-24			MA4062-L	ZENER DIODE	
R179,180			RK73FB2A820J	CHIP R 82 J 1/10W		D25,26			RD6.8M(B2)	ZENER DIODE	
R181,182			RK73FB2A361J	CHIP R 360 J 1/10W	K,K1	D27,28			MA4068(N)-M	ZENER DIODE	
R183,184			RK73FB2A222J	CHIP R 2.2K J 1/10W	K,K1	D29			HZS6C1	ZENER DIODE	
R185,186			RK73FB2A103J	CHIP R 10K J 1/10W	K,K1	D29			MA4062-L	ZENER DIODE	
R187,188			RK73FB2A223J	CHIP R 22K J 1/10W	K,K1	D30-32			1SS133	DIODE	
R189,190			RK73FB2A820J	CHIP R 82 J 1/10W	K,K1	D33-36			1SR154-400	DIODE	
R200			RK73GB1J101J	CHIP R 100 J 1/16W		D38-41			1SR154-400	DIODE	
R201			RK73GB1J103J	CHIP R 10K J 1/16W		D44-50			DA204K	DIODE	
R202			RK73GB1J183J	CHIP R 18K J 1/16W		D44-50			KDS226	DIODE	
R203			RK73GB1J473J	CHIP R 47K J 1/16W		IC1			UPD703033GC051	MI-COM IC	
R204			RK73GB1J152J	CHIP R 1.5K J 1/16W		IC2			TDA7407	ANALOGUE IC	
R205-208			RK73GB1J223J	CHIP R 22K J 1/16W		IC3			M5237ML	IC(VOLTAGE REGULATOR)	
R211			RK73GB1J223J	CHIP R 22K J 1/16W		IC4			TA8273H	ANALOGUE IC	
R213			RK73GB1J223J	CHIP R 22K J 1/16W		IC5			TDA7401	ANALOGUE IC	K,K1
R214-216			RK73GB1J222J	CHIP R 2.2K J 1/16W	K,K1	IC6			ICL7660SIBA	ANALOGUE IC	K2
R220,221			RK73GB1J104J	CHIP R 100K J 1/16W		IC6			TC7662BEOA	ANALOGUE IC	K,K1
R223-225			RK73GB1J222J	CHIP R 2.2K J 1/16W		IC7			HD74HC02FP	MOS-IC	
R230			RK73GB1J472J	CHIP R 4.7K J 1/16W		IC7			TC74HC02AF	IC	
R231			RK73GB1J223J	CHIP R 22K J 1/16W		IC8			NJM4565M-TE2	ANALOGUE IC	
R232			RK73EB2B472J	CHIP R 4.7K J 1/8W		IC10-12			NJM4565M-TE2	ANALOGUE IC	K,K1
R233			RK73EB2B471J	CHIP R 470 J 1/8W		IC10,11			NJM4565M-TE2	ANALOGUE IC	K2
R234,235			RK73EB2B102J	CHIP R 1.0K J 1/8W		IC14			TDA7479D	ANALOGUE IC	K,K1
R236			RK73EB2B471J	CHIP R 470 J 1/8W		IC15			LB1930M	ANALOGUE IC	
R237			RK73EB2B102J	CHIP R 1.0K J 1/8W		IC16			S-80837ANNP	MOS-IC	
R239			RK73EB2B102J	CHIP R 1.0K J 1/8W		Q1			2SB1548(P)	TRANSISTOR	
R241			RK73GB1J102J	CHIP R 1.0K J 1/16W	K,K1	Q2			2SC4081	TRANSISTOR	
R242			RK73GB1J472J	CHIP R 4.7K J 1/16W	K,K1	Q2			2SD1819A	TRANSISTOR	
W1-6			R92-1252-05	CHIP R 0 OHM	K2	Q3			2SA1576A	TRANSISTOR	
D1			RM10ZLF	DIODE		Q3			2SB1218A	TRANSISTOR	
D2			RB160L-40	DIODE		Q4			2SB1548(P)	TRANSISTOR	
D3			MA4056(N)-M	ZENER DIODE		Q5			DTC144EUA	DIGITAL TRANSISTOR	
D4			HZS9A2L	ZENER DIODE		Q5			UN5213	DIGITAL TRANSISTOR	
D4			MA4082(N)-L	ZENER DIODE		Q6,7			DTA124EUA	DIGITAL TRANSISTOR	
D5			MA4100-L	ZENER DIODE		Q6,7			KRA303	DIGITAL TRANSISTOR	
D6			MA4051(N)-M	ZENER DIODE		Q8			DTC124EUA	DIGITAL TRANSISTOR	
D7			MA4056-M	ZENER DIODE		Q8			UN5212	DIGITAL TRANSISTOR	
D9			MA4110(N)-M	ZENER DIODE	K,K1	Q9			2SD2375	TRANSISTOR	
D10			MA4056(N)-M	ZENER DIODE		Q10			2SA1648-Z	TRANSISTOR	
D11			1SR154-400	DIODE		Q11			2SC4081	TRANSISTOR	
D12			AM01Z	DIODE		Q11			2SD1819A	TRANSISTOR	
D12			DSM1SD2	DIODE		Q12			DTC124EUA	DIGITAL TRANSISTOR	
D12			ERA15-02	DIODE		Q12			UN5212	DIGITAL TRANSISTOR	
D14			AM01Z	DIODE		Q13			DTA124EUA	DIGITAL TRANSISTOR	
D14			DSM1SD2	DIODE		Q13			KRA303	DIGITAL TRANSISTOR	
D14			ERA15-02	DIODE		Q14			DTA123JK	DIGITAL TRANSISTOR	K,K1
D15			1SS133	DIODE		Q14			KRA105S	DIGITAL TRANSISTOR	K,K1
D16			MA4056(N)-M	ZENER DIODE		Q15			DTC144EUA	DIGITAL TRANSISTOR	
D17			MA4062(N)-M	ZENER DIODE		Q15			UN5213	DIGITAL TRANSISTOR	
D18			1SS133	DIODE		Q16			2SB1443	TRANSISTOR	
D19,20			DAP202U	DIODE		Q17			2SC4081	TRANSISTOR	
						Q17			2SD1819A	TRANSISTOR	

K: KDC-X917 K1: KDC-X817 K2: KDC-9017

⚠ indicates safety critical components.

KDC-X917/X817/9017

PARTS LIST

* New Parts

Parts without Parts No. are not supplied.

Les articles non mentionnes dans le Parts No. ne sont pas fournis.

Teile ohne Parts No. werden nicht geliefert.

ELECTRIC UNIT(X25-8730-1X)
CD PLAYER UNIT(X32-5030-00)

Ref.No.	A d d	N e w	Parts No.	Description	Dest inati on
Q18			2SA1576A	TRANSISTOR	
Q18			2SB1218A	TRANSISTOR	
Q19			2SC4081	TRANSISTOR	
Q19			2SD1819A	TRANSISTOR	
Q20			2SA1576A	TRANSISTOR	
Q20			2SB1218A	TRANSISTOR	
Q21,22			2SC4081	TRANSISTOR	
Q21,22			2SD1819A	TRANSISTOR	
Q23			2SA1576A	TRANSISTOR	
Q23			2SB1218A	TRANSISTOR	
Q24			DTC114YUA	DIGITAL TRANSISTOR	
Q24			UN5214	DIGITAL TRANSISTOR	
Q25,26			2SB1277(Q,R)	TRANSISTOR	
Q27			2SA1576A	TRANSISTOR	
Q27			2SB1218A	TRANSISTOR	
Q28			DTA124EUA	DIGITAL TRANSISTOR	
Q28			KRA303	DIGITAL TRANSISTOR	
Q29			DTC114YUA	DIGITAL TRANSISTOR	
Q29			UN5214	DIGITAL TRANSISTOR	
Q30,31			2SC4081	TRANSISTOR	
Q30,31			2SD1819A	TRANSISTOR	
Q32,33			DTA124EUA	DIGITAL TRANSISTOR	
Q32,33			KRA303	DIGITAL TRANSISTOR	
Q34			2SC4081	TRANSISTOR	
Q34			2SD1819A	TRANSISTOR	
Q35			DTC124EUA	DIGITAL TRANSISTOR	
Q35			UN5212	DIGITAL TRANSISTOR	
Q36			2SC4081	TRANSISTOR	
Q36			2SD1819A	TRANSISTOR	
Q37-40			DTC143TUA	DIGITAL TRANSISTOR	K2
Q37-40			KRC410	DIGITAL TRANSISTOR	K2
Q37-42			DTC143TUA	DIGITAL TRANSISTOR	K,K1
Q37-42			KRC410	DIGITAL TRANSISTOR	K,K1
Q43			DTC124EUA	DIGITAL TRANSISTOR	
Q43			UN5212	DIGITAL TRANSISTOR	
Q44			2SB1188(Q,R)	TRANSISTOR	
Q45			DTC124EUA	DIGITAL TRANSISTOR	
Q45			UN5212	DIGITAL TRANSISTOR	
Q46			2SB1188(Q,R)	TRANSISTOR	
Q51			2SB1427	TRANSISTOR	
Q52			2SC4081	TRANSISTOR	K,K1
Q52			2SD1819A	TRANSISTOR	K,K1
TH1			PTH9C42BD471Q	POSITIVE RESISTOR	
A1			W02-3271-05	ELECTRIC CIRCUIT MODULE	
F/E			X86-3240-11	TUNER UNIT	
CD PLAYER UNIT (X32-5030-00)					
C1,2			CK73FB1C105K	CHIP C 1.0UF K	
C3			CK73FB0J475K	CHIP C 4.7UF K	
C4			C92-0566-05	CHIP-TAN 10UF 6.3VW	
C5			CC73GCH1H150J	CHIP C 15PF J	
C6			CC73GCH1H020C	CHIP C 2.0PF C	
C7			CK73GB1C104K	CHIP C 0.10UF K	
C8			CK73FB1C105K	CHIP C 1.0UF K	

Ref.No.	A d d	N e w	Parts No.	Description	Dest inati on
C10			CK73GB1H472K	CHIP C 4700PF K	
C11			CK73GB1H682K	CHIP C 6800PF K	
C12			CK73GB1H332K	CHIP C 3300PF K	
C13			CK73GB1C333K	CHIP C 0.033UF K	
C14			CK73GB1H472K	CHIP C 4700PF K	
C15			CK73GB1C473K	CHIP C 0.047UF K	
C16			CC73GCH1H151J	CHIP C 150PF J	
C17			CK73GB1H472K	CHIP C 4700PF K	
C18			CC73GCH1H221J	CHIP C 220PF J	
C19,20			CK73GB1C104K	CHIP C 0.10UF K	
C21			CK73FB0J475K	CHIP C 4.7UF K	
C23			CK73GB1H102K	CHIP C 1000PF K	
C24			CK73GB1E223K	CHIP C 0.022UF K	
C25			CK73GB1H153K	CHIP C 0.015UF K	
C26			CK73GB0J105K	CHIP C 1.0UF K	
C28			CK73GB0J105K	CHIP C 1.0UF K	
C29			CK73GB1C104K	CHIP C 0.10UF K	
C33-35			CK73GB1C104K	CHIP C 0.10UF K	
C41			CK73EB1C225K	CHIP C 2.2UF K	
C43			CK73GB1H153K	CHIP C 0.015UF K	
C45			CK73GB1H153K	CHIP C 0.015UF K	
C46			CK73GB1C473K	CHIP C 0.047UF K	
C51			CK73FB1C105K	CHIP C 1.0UF K	
C55			CK73GB1C104K	CHIP C 0.10UF K	
C63			C92-1359-05	CHIP-TAN 10UF 16VW	
C67,68			CK73GB0J105K	CHIP C 1.0UF K	
C71,72			CK73GB1H471K	CHIP C 470PF K	
C77,78			CC73GCH1H680J	CHIP C 68PF J	
C79,80			CK73GB1H222K	CHIP C 2200PF K	
C85			CK73GB1C104K	CHIP C 0.10UF K	
C89			CK73GB1H222K	CHIP C 2200PF K	
CN1			E40-9536-05	FLAT CABLE CONNECTOR	
CN2			E40-9339-05	FLAT CABLE CONNECTOR	
CN2			E41-0036-05	FLAT CABLE CONNECTOR	
CN2			E41-0129-05	FLAT CABLE CONNECTOR	
X1			L78-0572-05	RESONATOR (16.93MHZ)	
CP1-3			R90-1019-05	MULTI-COMP 100 X 2	
R3			RK73GB1J272J	CHIP R 2.7K J 1/16W	
R5			RK73GB1J361J	CHIP R 360 J 1/16W	
R6			RK73GB1J272J	CHIP R 2.7K J 1/16W	
R8			RK73EB2B4R7J	CHIP R 4.7 J 1/8W	
R9			RK73EB2B100J	CHIP R 10 J 1/8W	
R10,11			RK73GB1J103J	CHIP R 10K J 1/16W	
R12			RK73GB1J912J	CHIP R 9.1K J 1/16W	
R15			RK73GB1J824J	CHIP R 820K J 1/16W	
R16			RK73GB1J223J	CHIP R 22K J 1/16W	
R17			RK73GB1J513J	CHIP R 51K J 1/16W	
R18			RK73GB1J392J	CHIP R 3.9K J 1/16W	
R19			RK73GB1J513J	CHIP R 51K J 1/16W	
R20			RK73GB1J104J	CHIP R 100K J 1/16W	
R21			RK73GB1J304J	CHIP R 300K J 1/16W	
R32			RK73GB1J104J	CHIP R 100K J 1/16W	
R34			RK73GB1J683J	CHIP R 68K J 1/16W	

K: KDC-X917 K1: KDC-X817 K2: KDC-9017

▲ indicates safety critical components.

KDC-X917/X817/9017

PARTS LIST

* New Parts

Parts without Parts No. are not supplied.

Les articles non mentionnes dans le Parts No. ne sont pas fournis.

Teile ohne Parts No. werden nicht geliefert.

CD PLAYER UNIT(X32-5030-00)
CD MECHANISM ASSY(X92-4100-00)

Ref.No.	A d d	N e w	Parts No.	Description	Dest inati on
R36			RK73GB1J151J	CHIP R 150 J 1/16W	
R37			RK73GB1J471J	CHIP R 470 J 1/16W	
R38			RK73GB1J224J	CHIP R 220K J 1/16W	
R44			RK73GB1J512J	CHIP R 5.1K J 1/16W	
R45			RK73GB1J103J	CHIP R 10K J 1/16W	
R46			RK73GB1J102J	CHIP R 1.0K J 1/16W	
R47			RK73GB1J103J	CHIP R 10K J 1/16W	
R49			RK73GB1J472J	CHIP R 4.7K J 1/16W	
R52			RK73GB1J104J	CHIP R 100K J 1/16W	
R54			RK73GB1J104J	CHIP R 100K J 1/16W	
R71			RK73GB1J103J	CHIP R 10K J 1/16W	
R72			RK73GB1J102J	CHIP R 1.0K J 1/16W	
R73			RK73GB1J473J	CHIP R 47K J 1/16W	
R75			RK73GB1J333J	CHIP R 33K J 1/16W	
R76			RK73GB1J622J	CHIP R 6.2K J 1/16W	
R77			RK73GB1J563J	CHIP R 56K J 1/16W	
R78			RK73GB1J243J	CHIP R 24K J 1/16W	
R81			RK73GB1J333J	CHIP R 33K J 1/16W	
R82			RK73GB1J123J	CHIP R 12K J 1/16W	
R83			RK73GB1J102J	CHIP R 1.0K J 1/16W	
R101,102			RK73GB1J332J	CHIP R 3.3K J 1/16W	
R103,104			RK73GB1J562J	CHIP R 5.6K J 1/16W	
R107,108			RK73FB2A331J	CHIP R 330 J 1/10W	
R117,118			RK73FB2A203J	CHIP R 20K J 1/10W	
R121,122			RK73FB2A203J	CHIP R 20K J 1/10W	
R125,126			RK73FB2A203J	CHIP R 20K J 1/10W	
R202			RK73GB1J104J	CHIP R 100K J 1/16W	
R213			RK73GB1J104J	CHIP R 100K J 1/16W	
R218			RK73GB1J473J	CHIP R 47K J 1/16W	
R233			RK73GB1J622J	CHIP R 6.2K J 1/16W	
R234			RK73GB1J103J	CHIP R 10K J 1/16W	
W17			R92-2053-05	CHIP R 0 J 1/8W	
S1,2			S68-0838-05	PUSH SWITCH	
S3			S68-0859-05	PUSH SWITCH	
D1,2			DAN202U	DIODE	
D3			DA204U	DIODE	
D4			DAN202U	DIODE	
IC1			AN22000AA	ANALOGUE IC	
IC2			MN662773KF1	MOS-IC	
IC4			BA5917AFP	ANALOGUE IC	
IC5			TA78L05F	IC(VOLTAGE REGULATOR/ +5V)	
IC6			NJM4565MD	IC(OP AMP X2)	
Q1			MCH6101	TRANSISTOR	
Q2			DTC124EUA	DIGITAL TRANSISTOR	
Q3,4			2SA1362(Y)	TRANSISTOR	
Q5			DTC124EUA	DIGITAL TRANSISTOR	
CD MECHANISM ASSY (X92-4100-00)					
1	2A		A10-4482-01	CHASSIS	
2	1B		A10-4225-33	CHASSIS CALKING ASSY	
3	2B		A11-0915-43	SUB CHASSIS CALKING ASSY	
6	2A		D10-4306-04	ARM ASSY	
7	2A		D10-4305-04	ARM ASSY	
8	3A		D10-3087-44	ARM ASSY	

Ref.No.	A d d	N e w	Parts No.	Description	Dest inati on
9	3B		D10-3092-03	SLIDER	
10	3B		D10-3093-04	SLIDER ASSY	
11	2B		D10-3095-04	SLIDER ASSY	
12	2B		D10-3096-04	SLIDER ASSY	
13	1A		D10-3099-24	SLIDER ASSY	
14	1A		D10-3100-04	SLIDER ASSY	
16	1B		D10-4004-04	LEVER ASSY	
17	1B		D10-4006-04	LEVER	
18	1A		D10-4007-04	LEVER	
19	2B		D10-4008-14	LEVER	
20	2A		D10-4009-23	ARM	
21	3A		D10-4010-04	LEVER	
22	3A		D10-4307-04	LEVER ASSY	
24	3B		D10-4050-04	ARM	
25	3A		D10-4038-23	ARM ASSY	
26	2A		D10-4123-24	LEVER ASSY	
27	3A		D13-1442-03	RACK (GEAR)	
29	3B		D13-1231-04	GEAR	
30	3A		D13-1240-04	GEAR	
31	3B		D13-1233-04	GEAR	
32	3B		D13-1234-14	GEAR ASSY	
33	3A		D13-1441-03	GEAR	
34	3B		D13-1232-04	GEAR	
35	3B		D13-1241-04	GEAR	
36	3A		D13-1242-04	GEAR	
37	1B		D13-1243-04	GEAR	
38	1B		D13-1244-04	GEAR	
39	1B		D13-1245-14	GEAR	
40	2A		D13-1246-04	GEAR	
41	2B		D13-1247-04	GEAR	
43	2B		D13-1249-04	GEAR ASSY	
44	2B		D13-1341-04	GEAR ASSY (LEAD SCREW)	
45	1B		D14-0668-04	ROLLER	
46	2A		D14-0670-04	ROLLER	
47	3B		D14-0674-04	ROLLER	
49	3A		D21-2228-14	SHAFT	
50	1A		D21-2229-04	SHAFT	
51	1A		D23-0925-24	RETAINER	
52	2A		D32-0614-04	STOPPER	
53	1B		D39-0223-05	DAMPER (YELLOW)	
54	2B		D39-0224-05	DAMPER (BLACK)	
55	3B		F09-1246-04	SHEET	
58	3B		F09-1266-14	SHEET	
60	2A		G01-2770-04	EXTENSION SPRING	
61	3A		G01-2771-04	EXTENSION SPRING	
62	3A		G01-2772-24	EXTENSION SPRING	
63	3A		G01-2773-14	EXTENSION SPRING	
64	3A		G01-2774-34	EXTENSION SPRING	
65	1B		G01-2775-04	TORSION COIL SPRING	
66	1B		G01-2776-14	TORSION COIL SPRING	
67	3B		G01-2777-24	TORSION COIL SPRING	
69	2A		G01-2844-04	EXTENSION SPRING	
70	2A		G02-1231-04	FLAT SPRING	

K: KDC-X917 K1: KDC-X817 K2: KDC-9017

▲ indicates safety critical components.

KDC-X917/X817/9017

PARTS LIST

* New Parts

Parts without Parts No. are not supplied.

Les articles non mentionnes dans le Parts No. ne sont pas fournis.

Teile ohne Parts No. werden nicht geliefert.

CD MECHANISM ASSY(X92-4100-00)

Ref.No.	A d d	N e w	Parts No.	Description	Dest inati on
71	2B		G02-1232-24	FLAT SPRING	
72	2A		G02-1241-24	FLAT SPRING	
75	2A		J11-0613-13	CLAMPER	
76	3A		J19-4678-13	HOLDER	
77	2B		J19-4679-24	HOLDER	
78	3B		J21-7684-13	MOUNTING HARDWARE	
79	2B		J21-7686-13	MOUNTING HARDWARE	
80	1B		J21-7690-03	MOUNTING HARDWARE	
82	3A		J84-0107-05	FLEXIBLE PRINTED WIRING BOARD	
83	1A		J90-0757-22	GUIDE	
A	2A		N09-4249-05	MACHINE SCREW (M1.7X2.5,LOCK)	
B	1B		N09-4172-05	TAPPING SCREW (2X3.5,CTITE)	
C	2B		N09-4202-05	STEPPED SCREW	
D	2A		N38-2020-46	PAN HEAD MACHIN SCREW	
E	3A		N09-4294-05	TAPTITE SCREW (BIND P TAPTIT)	
F	3B		N19-2023-04	FLAT WASHER	
G	2A		N19-2058-04	FLAT WASHER	
H	3A		N19-2093-04	FLAT WASHER	
J	2A		N39-2020-46	PAN HEAD MACHIN SCREW	
DM1	3B		T42-0764-04	DC MOTOR ASSY	
DM2	3B		T42-0763-04	DC MOTOR ASSY	
DPU1	2B		T25-0215-05	OPTICAL PICKUP HEAD	

Ref.No.	A d d	N e w	Parts No.	Description	Dest inati on