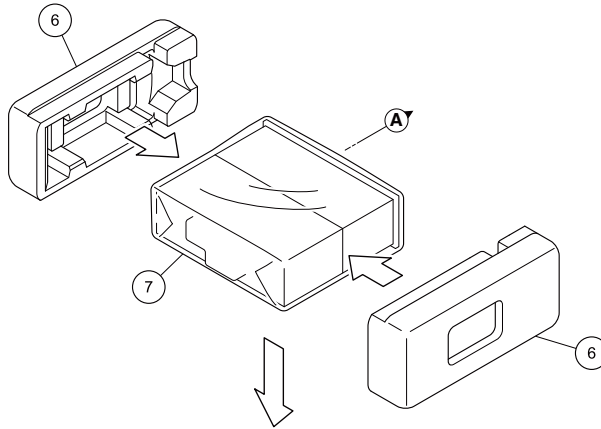


# 9. EXPLODED VIEWS AND PARTS LIST

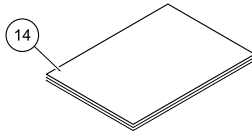
- NOTES :**
- Parts marked by "\*" are generally unavailable because they are not in our Master Spare Parts List.
  - The ⚠ mark found on some component parts indicates the importance of the safety factor of the part. Therefore, when replacing, be sure to use parts of identical designation.
  - Screw adjacent to ∇ mark on the product are used for disassembly.
  - For the applying amount of lubricants or glue, follow the instructions in this manual.  
(In the case of no amount instructions, apply as you think it appropriate.)

## 9.1 PACKING

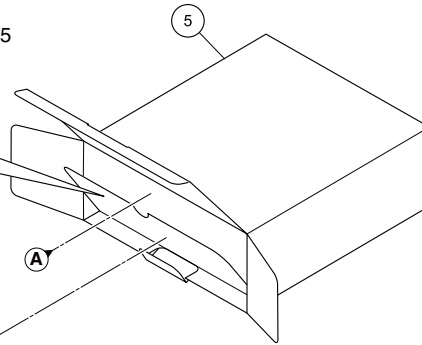
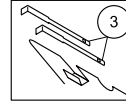
4800DAB/XNEW5  
X2800UI/XNUC  
2800UI/XNEW5  
X2850UI/XNGS  
X2850UI/XNCS



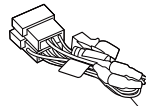
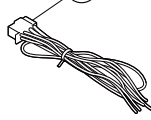
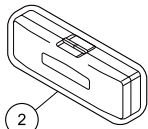
4800DAB/XNEW5  
X2800UI/XNUC  
2800UI/XNEW5  
X2850UI/XNGS  
X2850UI/XNCS



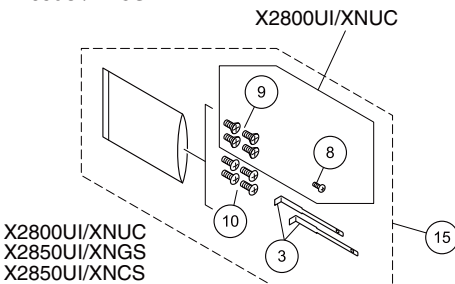
4800DAB/XNEW5  
2800UI/XNEW5



X2800UI/XNUC  
X2850UI/XNGS  
X2850UI/XNCS



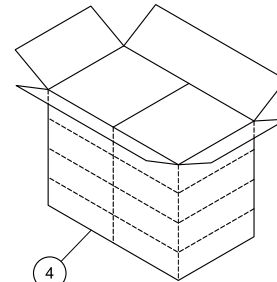
4800DAB/XNEW5  
2800UI/XNEW5  
X2850UI/XNGS  
X2850UI/XNCS



4800DAB/XNEW5  
2800UI/XNEW5



X2800UI/XNUC  
X2850UI/XNGS  
X2850UI/XNCS



4800DAB/XNEW5  
X2800UI/XNUC  
2800UI/XNEW5  
X2850UI/XNGS  
X2850UI/XNCS

**(1) PACKING SECTION PARTS LIST**

<u>Mark No.</u>	<u>Description</u>	<u>Part No.</u>	<u>Mark No.</u>	<u>Description</u>	<u>Part No.</u>
1	Cord Assy	See Contrast table (2)	10	Screw	See Contrast table (2)
2	Case Assy	See Contrast table (2)			
3	Handle	QNC3021	11	Card Remote Control Unit	See Contrast table (2)
4	Contain Box	See Contrast table (2)	12	.....	
5	Unit Box	See Contrast table (2)	13	.....	
			14-1	Owner's Manual	See Contrast table (2)
6	Protector	See Contrast table (2)	*	14-2 Warranty Card	See Contrast table (2)
7	Polyethylene Bag	See Contrast table (2)			
8	Screw	See Contrast table (2)	*	14-3 Caution Card	See Contrast table (2)
9	Screw	See Contrast table (2)	15	Accessory Assy	See Contrast table (2)

**(2) CONTRAST TABLE**

DEH-4800DAB/XNEW5, DEH-X2800UI/XNUC, DEH-2800UI/XNEW5, DEH-X2850UI/XNGS and DEH-X2850UI/XNCS are constructed the same except for the following:

Mark	No.	Description	DEH-4800DAB/XNEW5	DEH-X2800UI/XNUC	DEH-2800UI/XNEW5
	1	Cord Assy	QDP3070	CDP1480	QDP3070
	2	Case Assy	QXA3129	Not used	QXA3129
	4	Contain Box	QHL3801	QHL3803	QHL3802
	5	Unit Box	QHG3801	QHG3803	QHG3802
	6	Protector	QHP3046	QHP3046	QHP3046
	7	Polyethylene Bag	QEG3001	CEG1173	QEG3001
	8	Screw	Not used	BPZ20P060FTC	Not used
	9	Screw	Not used	CBA2383	Not used
	10	Screw	Not used	CBA2384	Not used
	11	Card Remote Control Unit	Not used	QXE1047	Not used
*	14-1	Owner's Manual	QRD3315	QRD3318	QRD3317
*	14-2	Warranty Card	CRY1376	QRY3001	CRY1376
	14-3	Caution Card	CRP1481	Not used	Not used
	15	Accessory Assy	Not used	QEA3337	Not used

Mark	No.	Description	DEH-X2850UI/XNGS	DEH-X2850UI/XNCS
	1	Cord Assy	CDP1480	CDP1480
	2	Case Assy	QXA3129	QXA3129
	4	Contain Box	QHL3805	QHL3806
	5	Unit Box	QHG3805	QHG3806
	6	Protector	QHP3046	QHP3046
	7	Polyethylene Bag	QEG3001	QEG3001
	8	Screw	Not used	Not used
	9	Screw	Not used	Not used
	10	Screw	CBA2384	CBA2384
	11	Card Remote Control Unit	QXE1047	QXE1047
*	14-1	Owner's Manual	QRD3320	QRD3319
*	14-2	Warranty Card	Not used	Not used
	14-3	Caution Card	Not used	Not used
	15	Accessory Assy	QEA3338	QEA3338

**Owner's Manual**

Part No.	Language
QRD3315	English, French, Italian, Spanish(Espanol), German, Dutch, Russian
QRD3317	English, French, Italian, Spanish(Espanol), German, Dutch, Russian
QRD3318	English, French, Spanish(Espanol)
QRD3319	English, Spanish(Espanol), Portuguese(B)
QRD3320	English, Traditional Chinese, Arabic, Persian



**(1) EXTERIOR SECTION PARTS LIST**

<u>Mark No.</u>	<u>Description</u>	<u>Part No.</u>	<u>Mark No.</u>	<u>Description</u>	<u>Part No.</u>
1	Detach Grille Assy	See Contrast table (2)	29	Screw	BPZ26P080FTC
2	Keyboard Unit	See Contrast table (2)	30	Screw	See Contrast table (2)
3	Lighting Conductor	QNV3114			
4	Contact Rubber	QNV3115	31	Holder	See Contrast table (2)
5	Rubber Connector	QNV3071	32	Antenna Cable Assy	See Contrast table (2)
			33	WWR Tuner Unit (U461)	See Contrast table (2)
6	Holder	QNC3108	34	Holder	See Contrast table (2)
7	Sheet	QNM3138	35	CD Mechanism Module (11.6VA_T07)	CXK5808
8	LCD (V1801)	CAW2056			
9	Grille Unit	See Contrast table (2)			
10	Grille	QNS3888	36	Cord Assy	See Contrast table (2)
			37	Screw	ASZ26P050FTC
11	Plate	QNS3900	38	Screw	BSZ26P120FTC
12	Double Side Tape	QNM3132	39	Screw	BSZ26P060FTC
13	Door	QAT3018	40	Screw	See Contrast table (2)
14	Button (SRC, LIST)	QAC3208			
15	Button (DISP, BACK)	QAC3209	41	Panel Assy	QXA3261
			42	Panel	QNS3126
16	Button (TRACK, 1-6)	QAC3210	43	Arm	QNV3025
17	Button (DETACH)	QAC3211	44	Button	QNV3026
18	Spring	CBH2210	45	Spring	QBH3001
19	Button	See Contrast table (2)			
20	Button (EJECT)	QAC3207	46	Cover	QNM3029
			47	Panel	QNS3568
21	Cover	QNS3943	48	Holder	QNC3020
22	Screw	BPZ20P100FTC	49	FFC	QDE3029
23	Knob Unit	See Contrast table (2)	50	Case	See Contrast table (2)
24	.....				
25	Tuner Amp Unit	See Contrast table (2)	51	Sheet	QNM3130
			52	Sheet	See Contrast table (2)
26	Heat Sink	See Contrast table (2)	53	Card Remote Control Unit	See Contrast table (2)
27	Screw	BSZ26P120FTC	54	Cover	See Contrast table (2)
⚠ 28	Fuse (10 A)	YEK5001			

**(2) CONTRAST TABLE**

DEH-4800DAB/XNEW5, DEH-X2800UI/XNUC, DEH-2800UI/XNEW5, DEH-X2850UI/XNGS and DEH-X2850UI/XNCS are constructed the same except for the following:

<u>Mark</u>	<u>No.</u>	<u>Description</u>	<u>DEH-4800DAB/XNEW5</u>	<u>DEH-X2800UI/XNUC</u>	<u>DEH-2800UI/XNEW5</u>
	1	Detach Grille Assy	QXA4500	QXA4502	QXA4501
	2	Keyboard Unit	QWM4124	QWM4122	QWM4122
	9	Grille Unit	QXA4440	QXA4442	QXA4441
	19	Button	QAC3214 (DAB)	QAC3215 (iPod)	QAC3215 (iPod)
	23	Knob Unit	QXA4414	QXA4414	QXA4413
	25	Tuner Amp Unit	QWM4080	QWM4055	QWM4054
	26	Heat Sink	QNR3010	QNR3010	QNR3010
	30	Screw	BSZ26P060FTC	Not used	Not used
	31	Holder	QNC3055	QNC3051	QNC3049
	32	Antenna Cable Assy	QXA4122	Not used	Not used
	33	WWR Tuner Unit (U461)	CWE2535	Not used	Not used
	34	Holder	CND7288	Not used	Not used
	36	Cord Assy	QDP3070	CDP1480	QDP3070
	40	Screw	BSZ26P080FTC	Not used	Not used
	50	Case	QNB3036	QNB3033	QNB3033
	52	Sheet	Not used	QNM3135	QNM3135
	53	Card Remote Control Unit	Not used	QXE1047	Not used
	54	Cover	Not used	CNS7068	Not used

Mark	No.	Description	DEH-X2850UI/XNGS	DEH-X2850UI/XNCS
A	1	Detach Grille Assy	QXA4504	QXA4504
	2	Keyboard Unit	QWM4122	QWM4122
	9	Grille Unit	QXA4444	QXA4444
	19	Button	QAC3215 (iPod)	QAC3215 (iPod)
	23	Knob Unit	QXA4414	QXA4414
	25	Tuner Amp Unit	QWM4057	QWM4056
	26	Heat Sink	QNR3002	QNR3010
	30	Screw	Not used	Not used
	31	Holder	QNC3049	QNC3049
	32	Antenna Cable Assy	Not used	Not used
B	33	WWR Tuner Unit (U461)	Not used	Not used
	34	Holder	Not used	Not used
	36	Cord Assy	CDP1480	CDP1480
	40	Screw	Not used	Not used
	50	Case	QNB3033	QNB3033
	52	Sheet	QNM3135	QNM3135
	53	Card Remote Control Unit	QXE1047	QXE1047
	54	Cover	CNS7068	CNS7068



## CD MECHANISM MODULE SECTION PARTS LIST

<u>Mark No.</u>	<u>Description</u>	<u>Part No.</u>	<u>Mark No.</u>	<u>Description</u>	<u>Part No.</u>
1	.....		50	Damper	CNW1198
2	Screw	BSZ20P040FTC	51	Arm	CNW1726
3	Screw(M2 x 4)	CBA1835	52	Motor Unit(M2)(LOAD/CRG)	CXC4026
4	Washer	CBF1038	53	Screw Unit	CXC8894
5	Spring	CBH3010	54	Arm Assy	CXE6232
6	Spring	CBH2855	55	Washer	CBF1037
7	Spring	CBH2856	56	Washer	CBF1038
8	Spring	CBH2860	57	Arm	CND6242
9	Screw	BSZ26P060FTC	58	Collar	CNW2444
10	Spring	CBH3011	59	Roller	CNW2500
11	Coil Spring	CBH3095	60	Gear Unit	CXE6225
12	Spring	CBH3014	61	Washer	YE15FTC
13	Spring	CBH3015	62	Chassis Unit	CXE4528
14	Spring	CBH3016	63	Motor Unit(M1)(SPDL)	CXE2273
15	Spring	CBH3017	64	Screw	JFZ20P025FTC
16	Spring	CBH3086	65	Screw	JGZ17P022FTC
17	Spring	CBH3019	66	Screw	EBA1028
18	.....		67	CD Core Unit (S11.6VA)	CWX4269
19	Leaf Spring	CBL1824	68	Chassis	CNA3373
20	PU Unit(P11)(Service)	CXX4754			
21	Bracket	CND4553			
22	Arm	CND6406			
23	Bracket	CND6127			
24	Bracket	CND5710			
25	Lever	CND5398			
26	Sheet	CNN3678			
27	Rack	CNV8342			
28	Guide	CNW2240			
29	Roller	CNW1172			
30	.....				
31	Arm	CNW2241			
32	Roller	CNW1175			
33	.....				
34	Arm	CNW1177			
35	Arm	CNW1178			
36	Gear	CNW1180			
37	Gear	CNW1181			
38	.....				
39	Gear	CNW1183			
40	Rack	CNW1184			
41	Gear	CNW1185			
42	Gear	CNW1186			
43	Gear	CNW1187			
44	Gear	CNW2287			
45	Clamper	CNW1190			
46	Arm	CNW1192			
47	Holder	CNW1193			
48	Holder	CNW1194			
49	Damper	CNW1197			

# 12. ELECTRICAL PARTS LIST

**NOTE:**

- Parts whose parts numbers are omitted are subject to being not supplied.
- The part numbers shown below indicate chip components.

Chip Resistor

RS1/○S○○○○J,RS1/○○S○○○○J

Chip Capacitor (except for CQS.....)

CKS....., CCS....., CSZS.....

- The  $\triangle$  mark found on some component parts indicates the importance of the safety factor of the part. Therefore, when replacing, be sure to use parts of identical designation.
- Meaning of the figures and others in the parentheses in the parts list.

Example) IC 301 is on the point (face A, 91 of x-axis, and 111 of y-axis) of the corresponding PC board.

IC 301 (A, 91, 111) IC NJM2068V

- The expression of the unit in this manual is shown by u instead of  $\mu$ . Please do not make a mistake.

	<u>Circuit Symbol and No.</u>	<u>Part No.</u>	<u>Circuit Symbol and No.</u>	<u>Part No.</u>
A:	DEH-4800DAB/XNEW5		IC 552 (A,102,27) PO Supply IC	BD2232G-G
C:	DEH-X2800UI/XNUC		IC 601 (A,94,87) Flash Blank UC IC	R5S726A0D216FP
D:	DEH-2800UI/XNEW5		IC 671 (A,111,70) IC	S-80827CNMC-B8M
E:	DEH-X2850UI/XNGS		IC 681(NSP)(A,93,106) FlashROM Unit	QWW3931
F:	DEH-X2850UI/XNCS		IC 801 (A,103,21) L-MOS And Gate	TC7SET08FUS1
Unit Number:	QWM4080(A)		IC 911 (A,144,28) Regulator IC	BA49183-V12
Unit Name :	Tuner Amp Unit		Q 251 (A,13,129) Transistor	EMH53
Unit Number:	QWM4055(C)		Q 252 (A,23,130) Transistor	EMH53
Unit Number:	QWM4054(D)		Q 301 (A,49,130) Transistor	EMD52
Unit Number:	QWM4057(E)		Q 481 (A,127,108) Transistor	2SAR293PGZE
Unit Number:	QWM4056(F)		Q 483 (A,121,106) Resistor Built-IN TR	LTC014EEB
Unit Name :	Tuner Amp Unit		Q 531 (A,78,100) Bipolar TR	LSAR523UB
Unit Number:	CWX4269		Q 751 (A,141,138) Transistor	X1049AG-TF2
Unit Name :	CD Core Unit (S11.6VA)		Q 752 (A,139,130) Transistor	EMD52
Unit Number:	QWM4124		Q 873 (A,89,40) Transistor	2SCR514PGZE
Unit Name :	Keyboard Unit		Q 874 (A,89,36) Transistor	EMD52
Unit Number:	QWM4080(A)		Q 876 (A,100,37) Transistor	2SAR502UB
Unit Name :	Tuner Amp Unit		Q 877 (A,98,34) Transistor	LTC143EUB
Unit Number:	CWX4269		Q 941 (A,118,102) Bipolar TR	LSCR523UB
Unit Name :	CD Core Unit (S11.6VA)		Q 951 (A,118,112) Bipolar TR	LSAR523UB
Unit Number:	QWM4124		D 301 (A,100,125) Diode	CRG03
Unit Name :	Keyboard Unit		D 302 (A,100,128) Diode	CRG03
Unit Number:	QWM4080(A)		D 501 (A,67,52) Diode	CRG03
Unit Name :	Tuner Amp Unit		D 503 (A,73,52) Diode	CRG03
Unit Number:	CWX4269		D 505 (A,86,54) Diode	CRG03
Unit Name :	CD Core Unit (S11.6VA)		D 507 (A,68,66) Diode	CRG03
Unit Number:	QWM4124		D 551 (A,83,38) Diode	CMS30I30A
Unit Name :	Keyboard Unit		D 552 (A,70,27) Diode	RB056L-40
Unit Number:	CWX4269		D 553 (A,83,45) Diode	CMS30I30A
Unit Name :	CD Core Unit (S11.6VA)		D 601 (A,111,95) Diode	RB751SM-40
Unit Number:	QWM4124		D 602 (A,73,90) Diode	RB751SM-40
Unit Name :	Keyboard Unit		D 751 (A,138,132) Diode	DZ2J082M0
Unit Number:	CWX4269		D 802 (A,92,17) Diode	DZ2S068C
Unit Name :	CD Core Unit (S11.6VA)		D 803 (A,125,13) Diode	DZ2S068C
Unit Number:	QWM4124		D 804 (A,119,13) Diode	DZ2S068C
Unit Name :	Keyboard Unit		D 805 (A,122,13) Diode	DZ2S068C
Unit Number:	CWX4269		D 806 (A,116,13) Diode	DZ2S068C
Unit Name :	CD Core Unit (S11.6VA)		D 807 (A,113,13) Diode	DZ2S068C
Unit Number:	QWM4124		D 871 (A,94,38) Diode	DZ2J100M0
Unit Name :	Keyboard Unit		D 901 (A,138,125) Diode	D1F60-5053

**MISCELLANEOUS**

IC 201	(A,78,115) E-VOL SYS LSI	PM9013A
IC 301	(A,78,141) Power AMP IC	PAL013A
IC 401	(A,142,87) Tuner IC	TEF6686HN
IC 451	(A,122,82) Regulator IC	MM3571A33P
IC 502	(A,80,60) Regulator IC	S-1172B12-E6
IC 503	(A,70,78) Regulator IC	MM3411A33N
IC 504	(A,72,71) Regulator IC	S-1155B33-U5
IC 531	(A,69,98) IC	337S3959
IC 551	(A,74,30) DC/DC CONV IC	KBD9876EFJ

5		6		7		8	
<u>Circuit Symbol and No.</u>		<u>Part No.</u>		<u>Circuit Symbol and No.</u>		<u>Part No.</u>	
D 902	(A,135,125) Diode		D1F60-5053				
D 911	(A,142,58) Diode		CRG03	R 416	(A,140,83)		RS1/16SS101J
D 912	(A,147,58) Diode		CRG03	R 420	(A,147,92)		RS1/16SS0R0J
D 941	(A,117,107) Diode		DZ2J075M0	R 427	(A,139,92)		RS1/16SS0R0J
D 951	(A,115,112) Diode		DAN202UM	R 434	(A,155,84)		RS1/10SR0R0J
L 201	(A,103,109) Inductor		CTF1793	R 451	(A,123,77)		RS1/16SS0R0J
L 202	(A,71,111) Inductor		CTF1793	R 461	(A,154,81)		RS1/16SS0R0J
L 301	(A,105,125) Inductor		CTF1488	R 462	(A,153,80)		RS1/16SS0R0J
L 402	(A,134,94) Inductor		LCTAW150J2520	R 463	(A,154,79)		RS1/16SS0R0J
L 404	(A,134,97) Inductor		CTF1389	R 464	(A,152,77)		RS1/16SS0R0J
L 408	(A,144,101) Inductor		LCMAR27J1608	R 465	(A,121,68)		RS1/16SS0R0J
L 551	(A,72,20) SMD SPL Inductor		CTH1584	R 466	(A,121,67)		RS1/16SS0R0J
L 801	(A,115,15) Inductor		CTF1713	R 467	(A,149,65)		RS1/16SS680J
L 901	(A,112,141) Choke Coil		CTH1620	R 468	(A,149,64)		RS1/16SS680J
L 951	(A,113,115) Chip Coil		BTH1101	R 469	(A,151,63)		RS1/16SS473J
T 401	(A,140,97) Variable Coil		CTC1215	R 470	(A,135,108)		RS1/4SA0R0J
X 401	(A,150,93) Crystal Resonator 9.216 MHz	CSS1864		R 471	(A,138,108)		RS1/4SA0R0J
X 601	(A,108,87) Crystal Resonator 12.0 MHz	CSS1847		R 483	(A,130,107)		RS1/16SS1003F
X 602	(A,101,101) Ceramic Resonator 16.934 MHz	CSS1603		R 484	(A,132,105)		RS1/16SS1802D
⚠ P251	(A,8,130) Fuse 3.0 A	CEK1286		R 485	(A,128,104)		RS1/4SA471J
P 401	(A,152,112) Surge Absorber	IMSA-6803-01Y900		R 486	(A,123,104)		RS1/4SA471J
P 482	(A,129,115) Polyswitch	FSMD020-R		R 487	(A,123,108)		RS1/10SR103J
VA801	(A,104,14) SMD Varistor	MLV0402ES012V0010N		R 502	(A,86,70)		RS1/16SS0R0J
VA802	(A,100,14) SMD Varistor	MLV0402ES012V0010N		R 503	(A,74,79)		RS1/16SS102J
U 461	(A,160,76) WWR Tuner Unit	CWE2535		R 506	(A,73,76)		RS1/16SS0R0J
CN701	(A,113,32) Connector	VKN1192		R 531	(A,65,99)		RS1/16SS473J
CN801	(A,109,3) Connector	CKS6452		R 532	(A,68,100)		RS1/16SS222J
JA251	(A,18,138) Jack	CKB1109		R 533	(A,74,97)		RS1/16SS222J
JA401	(A,157,128) Antenna Jack	YKS5041		R 534	(A,70,103)		RS1/16SS272J
JA891	(A,42,138) 3.5 DIA Jack	CKS6437		R 535	(A,68,103)		RS1/16SS472J
JA901	(A,113,141) Plug	CKM1624		R 536	(A,80,101)		RS1/16SS472J
⚠	Fuse 10 A	YEK5001		R 537	(A,70,100)		RS1/16SS101J
				R 538	(A,74,98)		RS1/16SS101J
				R 551	(A,74,24)		RS1/16SS682J
				R 552	(A,77,22)		RS1/16SS0R0J
				R 553	(A,77,25)		RS1/16SS1803D
<b>RESISTORS</b>							
R 251	(A,17,130)		RS1/16SS821J				
R 252	(A,9,129)		RS1/16SS821J	R 554	(A,76,25)		RS1/16SS4302D
R 253	(A,15,130)		RS1/16SS223J	R 555	(A,79,12)		RS1/10SR471J
R 254	(A,11,129)		RS1/16SS223J	R 601	(A,92,69)		RS1/16SS222J
R 255	(A,29,131)		RS1/16SS821J	R 604	(A,81,91)		RS1/16SS473J
				R 609	(A,108,77)		RS1/16SS473J
R 256	(A,18,131)		RS1/16SS821J				
R 257	(A,27,130)		RS1/16SS223J	R 610	(A,79,91)		RS1/16SS473J
R 258	(A,21,130)		RS1/16SS223J	R 611	(A,106,84)		RS1/16SS473J
R 305	(A,53,130)		RS1/16SS103J	R 613	(A,105,88)		RS1/16SS152J
R 306	(A,53,129)		RS1/16SS221J	R 614	(A,111,91)		RS1/16SS473J
				R 615	(A,91,76)		RS1/16SS473J
R 307	(A,52,130)		RS1/16SS223J				
R 309	(A,51,132)		RS1/16SS103J	R 616	(A,97,71)		RS1/16SS473J
R 401	(A,141,92)		RS1/16SS0R0J	R 617	(A,110,94)		RS1/16SS103J
R 402	(A,140,92)		RS1/16SS0R0J	R 618	(A,105,91)		RS1/16SS473J
R 403	(A,136,94)		RS1/16SS391J	R 622	(A,105,96)		RS1/16SS473J
				R 623	(A,108,100)		RAB4CQ473J
R 404	(A,132,99)		RS1/16SS105J				
R 405	(A,132,101)		RS1/16SS105J	R 625	(A,97,98)		RS1/16SS221J
R 406	(A,144,83)		RS1/16SS101J	R 626	(A,95,102)		RS1/16SS221J
R 407	(A,145,83)		RS1/16SS101J	R 627	(A,95,98)		RS1/16SS221J
R 408	(A,149,84)		RS1/16SS103J	R 628	(A,94,100)		RS1/16SS221J
				R 629	(A,94,98)		RS1/16SS221J
R 410	(A,148,83)		RS1/16SS103J				
R 412	(A,147,82)		RS1/10SR0R0J	R 630	(A,93,98)		RS1/16SS221J
R 413	(A,140,80)		RS1/16SS101J	R 631	(A,92,103)		RS1/16SS473J
R 414	(A,141,83)		RS1/16SS101J	R 632	(A,87,104)		RS1/16SS473J
R 415	(A,139,83)		RS1/16SS101J	R 633	(A,91,98)		RS1/16SS101J
				R 634	(A,84,101)		RS1/16SS102J

**Circuit Symbol and No.****Part No.****Circuit Symbol and No.****Part No.**

A	R 635	(A,82,99)	RS1/16SS102J	R 817	(A,94,17)	RS1/10SR222J
	R 636	(A,83,98)	RS1/16SS473J	R 851	(A,92,21)	RS1/16SS472J
	R 637	(A,85,97)	RS1/16SS473J	R 878	(A,98,32)	RS1/10SR473J
	R 638	(A,86,100)	RS1/16SS473J	R 879	(A,86,37)	RS1/16SS102J
	R 639	(A,80,96)	RS1/16SS472J	R 880	(A,97,38)	RS1/16SS103J
	R 640	(A,79,95)	RS1/16SS472J	R 881	(A,101,35)	RS1/16SS272J
	R 643	(A,82,90)	RS1/16SS104J	R 882	(A,97,37)	RS1/16SS473J
	R 644	(A,79,89)	RS1/16SS101J	R 891	(A,51,136)	RS1/16SS102J
	R 645	(A,80,88)	RS1/16SS101J	R 892	(A,51,137)	RS1/16SS102J
	R 646	(A,71,88)	RS1/16SS103J	R 911	(A,144,41)	RS1/10SR1R0J
	R 647	(A,78,87)	RS1/16SS101J	R 912	(A,139,40)	RS1/10SR1R0J
	R 648	(A,79,86)	RS1/16SS102J	R 913	(A,155,40)	RS1/16SS223J
	R 649	(A,83,85)	RS1/16SS102J	R 914	(A,128,39)	RS1/16SS223J
B	R 650	(A,87,76)	RS1/16SS102J	R 941	(A,118,105)	RS1/16SS223J
	R 651	(A,83,81)	RS1/16SS473J	R 942	(A,117,105)	RS1/16SS473J
	R 652	(A,82,78)	RS1/16SS222J	R 943	(A,115,103)	RS1/16SS333J
	R 653	(A,84,78)	RS1/16SS103J	R 944	(A,114,107)	RS1/4SA122J
	R 655	(A,98,71)	RS1/16SS0R0J	R 951	(A,118,109)	RS1/16SS102J
	R 656	(A,99,73)	RS1/16SS0R0J	R 952	(A,118,114)	RS1/16SS223J
	R 659	(A,109,66)	RS1/16SS153J	R 953	(A,113,113)	RS1/16SS153J
	R 660	(A,109,65)	RS1/16SS153J	<b>CAPACITORS</b>		
	R 664	(A,102,72)	RS1/16SS103J	C 201	(A,71,122)	CKSRYB105K10
	R 666	(A,76,95)	RS1/16SS0R0J	C 202	(A,84,121)	CKSRYB105K10
C	R 671	(A,112,73)	RS1/16SS104J	C 203	(A,71,119)	CKSRYB105K10
	R 681	(A,88,109)	RS1/16SS473J	C 204	(A,84,118)	CKSRYB105K10
	R 682	(A,87,107)	RS1/16SS473J	C 205	(A,71,120)	CKSRYB105K10
	R 683	(A,99,105)	RS1/16SS473J	C 206	(A,84,120)	CKSRYB105K10
	R 684	(A,87,106)	RS1/16SS473J	C 207	(A,69,117)	CKSSYB104K10
	R 685	(A,99,108)	RS1/16SS473J	C 208	(A,69,116)	CKSSYB104K10
	R 701	(A,106,36)	RS1/16SS473J	C 209	(A,68,114) 10 uF	CCG1192
	R 702	(A,114,37)	RS1/16SS104J	C 210	(A,71,115)	CCSSCH151J50
	R 703	(A,116,27)	RAB4CQ472J	C 211	(A,84,114)	CCSSCH151J50
	R 704	(A,109,39)	RS1/16SS104J	C 212	(A,87,115) 10 uF	CCG1192
	R 706	(A,104,36)	RS1/16SS221J	C 213	(A,86,113)	CKSSYB104K10
D	R 707	(A,107,36)	RS1/16SS221J	C 214	(A,86,112)	CKSSYB104K10
	R 708	(A,109,36)	RS1/16SS101J	C 215	(A,86,110)	CKSSYB102K50
	R 709	(A,110,36)	RS1/16SS221J	C 216	(A,68,110) 10 uF	CCG1192
	R 710	(A,112,36)	RS1/16SS101J	C 217	(A,72,109)	CKSSYB102K50
	R 711	(A,113,37)	RS1/16SS102J	C 218	(A,96,114)	XCEVW470M16
	R 715	(A,116,37)	RS1/16SS151J	C 219	(A,91,116) 10 uF	CCG1192
	R 716	(A,117,36)	RS1/16SS151J	C 220	(A,89,111) 10 uF	CCG1192
	R 717	(A,118,36)	RS1/16SS151J	C 224	(A,101,112)	CKSSYB104K10
	R 718	(A,121,36)	RS1/16SS221J	C 228	(A,91,114)	CKSSYB103K16
	R 719	(A,120,38)	RS1/16SS104J	C 230	(A,104,109)	CKSSYB104K10
	R 752	(A,142,133)	RS1/4SA391J	C 235	(A,87,124)	CKSSYB104K10
E	R 753	(A,105,36)	RS1/16SS473J	C 237	(A,72,113)	CKSSYB104K10
	R 754	(A,106,38)	RS1/16SS103J	C 239	(A,66,114)	CKSSYB102K50
	R 801	(A,124,19)	RS1/10SR222J	C 251	(A,36,128) 10 uF	CCG1192
	R 803	(A,122,16)	RS1/16SS223J	C 252	(A,32,126) 10 uF	CCG1192
	R 804	(A,120,16)	RS1/16SS223J	C 253	(A,16,130)	CCSSCH101J50
	R 805	(A,121,19)	RS1/10SR101J	C 254	(A,10,129)	CCSSCH101J50
	R 806	(A,119,19)	RS1/10SR101J	C 255	(A,34,131) 10 uF	CCG1192
	R 807	(A,120,19)	RS1/10SR101J	C 256	(A,30,129) 10 uF	CCG1192
	R 808	(A,123,19)	RS1/10SR222J	C 257	(A,26,131)	CCSSCH101J50
	R 809	(A,116,19)	RS1/10SR220J	C 258	(A,20,130)	CCSSCH101J50
F	R 810	(A,114,19)	RS1/10SR220J	C 261	(A,6,132)	CKSSYB103K16
	R 813	(A,104,19)	RS1/10SR222J	C 262	(A,35,135) 2.2 uF	CCG1205
	R 814	(A,100,18)	RS1/10SR222J	C 301	(A,72,128)	CKSRYB474K10
	R 815	(A,101,18)	RS1/16SS822J			
	R 816	(A,96,18)	RS1/10SR222J			

5		6		7		8	
<u>Circuit Symbol and No.</u>		<u>Part No.</u>		<u>Circuit Symbol and No.</u>		<u>Part No.</u>	
C 303	(A,81,128)	CKSRYB474K10		C 602	(A,93,74)	CKSSYB104K10	
C 305	(A,75,128)	CKSRYB474K10		C 603	(A,95,75)	CKSSYB104K10	
C 307	(A,78,128)	CKSRYB474K10		C 604	(A,97,74)	CKSSYB104K10	
C 313	(A,84,128) 2.2 uF	CCG1205		C 605	(A,103,74)	CKSSYB104K10	A
C 314	(A,137,134)	CKSRYB104K16		C 606	(A,106,82)	CKSSYB104K10	
C 318	(A,61,131) 10 uF/16 V	DCH1263		C 607	(A,110,86)	CCSSCH120J50	
C 327	(A,53,128)	CKSRYB105K10		C 608	(A,107,90)	CCSSCH120J50	
C 330	(A,87,126)	CKSRYB103K50		C 609	(A,110,83)	CKSSYB104K10	
C 402	(A,150,82)	CKSSYB472K25		C 610	(A,105,85)	CKSSYB104K10	
C 406	(A,151,82)	CKSSYB472K25		C 611	(A,105,89)	CKSSYB104K10	
C 407	(A,145,91)	CKSSYB104K10		C 612	(A,105,94)	CKSSYB104K10	
C 408	(A,146,93) 2.2 uF	CCG1205		C 613	(A,105,95)	CKSSYB104K10	
C 409	(A,144,93)	CKSSYB224K6R3		C 617	(A,124,44) 1 uF	DCH1246	
C 410	(A,142,101)	CCSSCH220J50		C 620	(A,98,98)	CKSSYB104K10	B
C 411	(A,139,101)	CCSSCH331J50		C 621	(A,92,100)	CKSSYB104K10	
C 412	(A,147,78)	CKSSYB104K10		C 622	(A,89,101)	CCSSCH220J50	
C 414	(A,134,91)	CKSSYB102K50		C 623	(A,87,102)	CKSSYB104K10	
C 420	(A,134,100)	CCSSCH471J50		C 624	(A,87,99)	CKSSYB104K10	
C 422	(A,137,89)	CKSSYB152K50		C 625	(A,85,101)	CKSSYB104K10	
C 423	(A,142,82) 1 uF	DCH1246		C 626	(A,83,89)	CKSSYB104K10	
C 425	(A,146,90)	CCSSCH390J50		C 627	(A,78,90)	CCSSCH220J50	
C 428	(A,138,91)	CKSSYB104K10		C 628	(A,77,89)	CCSSCH220J50	
C 430	(A,143,93)	CKSSYB102K50		C 629	(A,81,85)	CKSSYB104K10	
C 431	(A,147,80) 2.2 uF	CCG1205		C 630	(A,81,84)	CKSSYB104K10	
C 432	(A,146,95)	CKSSYB104K10		C 631	(A,77,86)	CCSSCH220J50	C
C 433	(A,146,96) 10 uF	CCG1192		C 638	(A,105,83) 1 uF	DCH1246	
C 434	(A,144,103)	CCSSCH100D50		C 639	(A,97,100)	CCSRCK1R0C50	
C 436	(A,147,84)	CKSRYB102K50		C 642	(A,82,95)	CCSSCH330J50	
C 437	(A,140,77) 2.2 uF	CCG1205		C 681	(A,100,108)	CKSSYB104K10	
C 438	(A,126,87)	CKSSYB102K50		C 701	(A,110,38)	CKSSYB103K16	
C 452	(A,120,78)	CKSRYB105K10		C 704	(A,119,37)	CCSSCH100D50	
C 453	(A,120,86)	CKSRYB105K10		C 705	(A,118,38)	CCSSCH100D50	
C 454	(A,123,91)	CKSRYB102K50		C 706	(A,116,38)	CCSSCH100D50	
C 455	(A,140,70) 10 uF	CCG1192		C 752	(A,140,133)	CKSSYB104K10	
C 462	(A,152,105)	CCSSCH101J50		C 753	(A,145,132) 10 uF	CCG1192	
C 463	(A,153,105)	CKSSYB104K16		C 754	(A,108,116)	CKSSYB102K50	D
C 474	(A,70,84)	CKSSYB104K10		C 801	(A,124,6)	CCSRCH102J50	
C 482	(A,131,107)	CKSSYB104K16		C 804	(A,94,26)	CKSRYB104K16	
C 503	(A,81,55) 10 uF	CCG1192		C 806	(A,124,9)	CKSRYB104K16	
C 504	(A,81,64) 10 uF	CCG1192		C 807	(A,123,12)	CKSRYB105K10	
C 505	(A,67,79) 4.7 uF	CCG1212		C 808	(A,112,19)	CKSRYB104K16	
C 506	(A,66,79)	CKSSYB102K50		C 809	(A,96,15)	CCSRCH221J50	
C 507	(A,73,79) 4.7 uF	CCG1212		C 810	(A,96,14)	CCSRCH221J50	
C 508	(A,71,67) 4.7 uF	CCG1212		C 871	(A,92,37)	CKSSYB104K16	
C 509	(A,71,65)	CKSSYB102K50		C 873	(A,97,32)	CCSRCH101J50	
C 510	(A,75,70) 4.7 uF	CCG1212		C 874	(A,103,20)	CKSSYB104K10	
C 531	(A,65,98)	CKSSYB104K10		C 875	(A,93,45)	CKSSYB102K50	E
C 532	(A,68,104)	CKSSYB104K10		C 891	(A,49,134)	CKSRYB104K16	
C 551	(A,78,42)	XCH3021		C 892	(A,49,137)	CKSRYB104K16	
C 552	(A,70,36)	CKSRYB105K16		C 901	(A,132,124) 2 200 uF/16 V	CCH1405	
C 553	(A,74,35)	CKSSYB103K16		C 911	(A,137,119)	CKSRYB104K16	
C 555	(A,75,25)	CKSSYB682K25		C 912	(A,151,40)	CKSSYB102K50	
C 556	(A,69,13)	CEVQW221M6R3		C 913	(A,132,39)	CKSSYB102K50	
C 557	(A,78,16)	CKSRYB105K10		C 914	(A,147,51)	XCEAT102M16	
C 560	(A,106,26)	CKSRYB105K10		C 915	(A,133,41)	CKSRYB104K16	
C 561	(A,97,27)	CKSRYB105K10		C 916	(A,142,44) 10 uF	CCG1192	
C 564	(A,77,16) 4.7 uF	CCG1212		C 917	(A,143,41)	CKSSYB102K50	F
C 565	(A,70,35) 4.7 uF	CCG1222		C 919	(A,151,42) 10 uF	CCG1192	
C 568	(A,81,30) 1 uF	DCH1246		C 921	(A,136,41) 10 uF	CCG1192	
C 601	(A,85,76)	CKSSYB104K10		C 923	(A,147,41) 10 uF	CCG1192	

1

**Circuit Symbol and No.**

C 926 (A,141,41) 10 uF  
 C 927 (A,138,41)  
 C 929 (A,157,40)

2

**Part No.**

CCG1192  
 CKSSYB102K50  
 CKSSYB102K50

3

**Circuit Symbol and No.**

L 151 (A,136,47) SMD SPL Inductor  
 L 152 (A,152,27) SMD SPL Inductor  
 L 552 (A,96,102) Inductor

4

**Part No.**

CTH1521  
 CTH1584  
 CTF1793

A

C 930 (A,138,121)  
 C 941 (A,116,105)

CKSSYB104K10  
 CKSRYB104K16

L 602 (A,143,106) Inductor(C,D,F)  
 L 603 (A,140,96) Chip Coil(E)  
 L 604 (A,141,92) Chip Coil(E)  
 L 605 (A,139,92) Inductor(C,D,F)  
 L 606 (A,147,78) Inductor(C,E)

CTF1389  
 LCTAWR27J2520  
 LCTAW3R3J2520  
 LCYC150K1608  
 CTF1786

**B****Unit Number: QWM4055(C)****Unit Number: QWM4054(D)****Unit Number: QWM4057(E)****Unit Number: QWM4056(F)****Unit Name : Tuner Amp Unit**

B

**MISCELLANEOUS**

IC 151 (A,152,46) PO Supply IC BD49101EFS  
 IC 351 (A,112,77) Flash Blank UC IC R5S726A0D216FP  
 IC 361 (A,133,75) IC S-80827CNMC-B8M  
 IC 371(NSP)(A,116,94) FlashROM Unit (C) QWW3926  
 IC 371(NSP)(A,116,94) FlashROM Unit (D) QWW3922  
 IC 371(NSP)(A,116,94) FlashROM Unit (E,F) QWW3924  
 IC 501 (A,95,85) IC 337S3959

IC 551 (A,103,107) E-VOL SYS LSI PM9013A  
 IC 601 (A,147,86) Tuner IC TEF6686HN  
 IC 801 (A,107,16) L-MOS And Gate TC7SET08FUS1  
 IC 851 (A,80,142) Power AMP IC PAL013A  
 Q 111 (A,98,122) Bipolar TR LSCR523UB

Q 131 (A,125,110) Bipolar TR(D) L5AR523UB  
 Q 151 (A,144,33) FET SSM3J332R  
 Q 301 (A,105,24) Transistor 2SAR502UB  
 Q 302 (A,98,33) Transistor 2SCR514PGZE  
 Q 303 (A,101,28) Transistor LTC143EUB

Q 501 (A,96,93) Bipolar TR L5AR523UB  
 Q 751 (A,16,129) Transistor(D,E,F) EMH53  
 Q 752 (A,24,130) Transistor EMH53  
 Q 781 (A,95,96) Bipolar TR(E) EMD53  
 Q 901 (A,88,127) Transistor EMD52

D 101 (A,143,127) Diode D1F60-5053  
 D 102 (A,139,127) Diode D1F60-5053  
 D 111 (A,95,125) Diode(C,E,F) DZ2J068M0  
 (A,95,125) Diode(D) DZ2J075M0  
 D 131 (A,124,113) Diode(D) DAN202UM  
 D 152 (A,153,70) Diode CRG03

D 153 (A,144,50) Diode RB162M-40  
 D 156 (A,147,32) Diode RB056L-40  
 D 157 (A,146,63) Diode CMS30130A  
 D 158 (A,162,63) Diode CRG03  
 D 301 (A,108,25) Diode DZ2J100M0

D 351 (A,132,82) Diode(D,E,F) RB751SM-40  
 D 352 (A,134,70) Diode(D,E,F) RB751SM-40  
 D 802 (A,94,17) Diode DZ2S068C  
 D 803 (A,130,14) Diode DZ2S068C  
 D 804 (A,121,14) Diode DZ2S068C

D 805 (A,122,14) Diode DZ2S068C  
 D 806 (A,119,14) Diode DZ2S068C  
 D 807 (A,116,14) Diode DZ2S068C  
 F D 911 (A,104,127) Diode CRG03  
 D 912 (A,106,127) Diode CRG03

L 101 (A,114,141) Choke Coil CTH1620  
 L 131 (A,124,115) Chip Coil(D) BTH1101

L 610 (A,152,104) Inductor LCMAR27J1608  
 L 611 (A,143,104) Inductor(E) ATL7033  
 L 613 (A,159,81) Inductor(E) CTF1786  
 L 701 (A,125,26) Inductor CTF1389  
 L 801 (A,117,14) Inductor CTF1713

T 601 (A,148,97) Variable Coil CTC1215  
 X 351 (A,129,76) Crystal Resonator 12.0 MHzCSS1847  
 X 352 (A,119,90) Ceramic Resonator 16.934 MHzCSS1603  
 X 601 (A,157,86) Crystal Resonator CSS1867  
 P 601 (A,157,109) Surge Absorber IMSA-6803-01Y900

△P753 (A,9,131) Fuse 3.0 A CEK1404  
 VA801 (A,107,13) SMD Varistor MLV0402ES012V0010N  
 VA802 (A,103,14) SMD Varistor MLV0402ES012V0010N  
 CN701 (A,116,32) Connector VKN1192  
 CN801 (A,111,4) Connector CKS6452

JA 101 (A,115,141) Plug CKM1624  
 JA 601 (A,160,129) Antennna Jack YKS5041  
 JA 751 (A,21,141) RCA Jack(C) CKB1115  
 (A,21,141) Jack(D,E,F) CKB1109  
 JA 782 (A,44,139) 3.5 DIA JACK(D,E,F) CKS6437

△ Fuse 10 A YEK5001

**RESISTORS**

R 111 (A,95,122) RS1/16SS223J  
 R 112 (A,96,122) RS1/16SS473J  
 R 113 (A,97,125) (C,E,F) RS1/16SS682J  
 (A,97,125) (D) RS1/16SS333J  
 R 114 (A,101,123) (C,E,F) RS1/4SA102J  
 (A,101,123) (D) RS1/4SA122J  
 R 131 (A,127,108) (D) RS1/16SS102J

R 132 (A,122,111) (D) RS1/16SS223J  
 R 133 (A,126,114) (D) RS1/16SS153J  
 R 151 (A,146,56) RS1/16SS8202D  
 R 156 (A,138,41) RS1/16SS102J  
 R 158 (A,137,41) RS1/16SS2403D

R 159 (A,139,39) RS1/16SS7502D  
 R 160 (A,143,46) RS1/16SS753J  
 R 161 (A,145,43) RS1/16SS4703D  
 R 162 (A,143,43) RS1/16SS4303D  
 R 163 (A,136,26) RS1/16SS3903D

R 164 (A,136,24) RS1/16SS6202D  
 R 165 (A,141,32) 30 ohm CCN1401  
 R 167 (A,159,56) RS1/16SS102J  
 R 168 (A,160,54) RS1/16SS102J  
 R 169 (A,160,56) RS1/16SS102J

R 172 (A,160,49) RS1/16SS393J  
 R 173 (A,164,50) RS1/16SS4703D  
 R 174 (A,163,48) RS1/16SS1503D  
 R 175 (A,108,44) RS1/16SS393J  
 R 176 (A,106,44) RS1/16SS103J

R 177 (A,156,35) RS1/16SS273J

1

2

3

4

5		6		7		8	
<u>Circuit Symbol and No.</u>		<u>Part No.</u>		<u>Circuit Symbol and No.</u>		<u>Part No.</u>	
R 178	(A,161,36)	RS1/16SS1003D		R 414	(A,97,78)	RS1/16SS101J	
R 179	(A,162,38)	RS1/16SS7503D		R 415	(A,101,78)	RS1/16SS101J	
R 180	(A,163,38)	RS1/16SS1603D		R 416	(A,97,76)	RS1/16SS102J	
R 182	(A,161,40)	RS1/16SS820J		R 418	(A,97,75)	RS1/16SS102J	A
				R 419	(A,98,74)	RS1/16SS102J	
R 184	(A,161,42)	RS1/16SS682J					
R 185	(A,159,34)	RS1/16SS102J		R 421	(A,100,71)	RS1/16SS473J	
R 187	(A,157,33)	RS1/16SS1203D		R 423	(A,98,69)	RS1/16SS222J	
R 188	(A,155,33)	RS1/16SS1802D		R 424	(A,100,69)	RS1/16SS222J	
R 189	(A,145,57)	RS1/16SS6802D		R 425	(A,102,63)	RS1/16SS103J	
				R 428	(A,108,95)	RS1/16SS0R0J	
R 190	(A,143,57)	RS1/16SS3903D					
R 301	(A,107,19)	RS1/10SR473J		R 501	(A,94,90)	RS1/16SS473J	
R 303	(A,102,25)	RS1/16SS103J		R 502	(A,93,88)	RS1/16SS222J	
R 304	(A,104,26)	RS1/16SS272J		R 503	(A,94,88)	RS1/16SS222J	
R 305	(A,99,27)	RS1/16SS473J		R 504	(A,97,88)	RS1/16SS272J	
				R 505	(A,98,88)	RS1/16SS472J	B
R 308	(A,113,26)	RS1/10SR102J					
R 352	(A,104,62) (E,F)	RS1/16SS473J		R 506	(A,99,88)	RS1/16SS472J	
R 355	(A,133,63)	RS1/16SS103J		R 507	(A,98,84)	RS1/16SS101J	
R 357	(A,128,69)	RS1/16SS473J		R 508	(A,98,83)	RS1/16SS101J	
R 359	(A,115,63)	RS1/16SS0R0J		R 603	(A,137,92) (C,D,F)	RS1/16SS391J	
					(A,137,92) (E)	RS1/16SS101J	
R 360	(A,116,66)	RS1/16SS0R0J		R 604	(A,146,109)	RS1/16SS105J	
R 362	(A,119,60) (D)	RS1/16SS473J					
R 364	(A,129,70)	RS1/16SS104J		R 605	(A,151,109)	RS1/16SS105J	
R 368	(A,123,69)	RS1/16SS102J		R 606	(A,149,81)	RS1/16SS101J	
R 369	(A,124,64)	RS1/16SS473J		R 607	(A,150,81)	RS1/16SS101J	
				R 608	(A,153,82)	RS1/16SS103J	
R 370	(A,124,66)	RS1/16SS473J		R 610	(A,152,82)	RS1/16SS103J	C
R 371	(A,127,68)	RS1/16SS473J					
R 373	(A,124,76)	RS1/16SS152J		R 622	(A,148,78) (C,D,F)	RS1/16SS0R0J	
R 374	(A,125,62)	RS1/16SS153J		R 637	(A,151,78)	RS1/16SS472J	
R 375	(A,125,61)	RS1/16SS153J		R 638	(A,150,78)	RS1/16SS472J	
				R 652	(A,163,86)	RS1/16SS0R0J	
R 376	(A,124,79)	RS1/16SS473J		R 653	(A,146,74) (C)	RS1/10SR0R0J	
R 377	(A,135,72)	RS1/16SS103J					
R 378	(A,127,82) (C,D)	RS1/16SS473J		R 655	(A,164,89)	RS1/16SS0R0J	
	(A,127,82) (E)	RS1/16SS103J		R 656	(A,144,75) (E)	RS1/16SS0R0J	
R 379	(A,128,82) (E,F)	RS1/16SS473J		R 660	(A,159,82) (C,D,F)	RS1/16SS0R0J	
R 380	(A,133,82)	RS1/16SS103J		R 701	(A,110,38)	RS1/16SS473J	
				R 702	(A,116,38)	RS1/16SS104J	
R 384	(A,127,87)	RS1/16SS473J					D
R 385	(A,132,85)	RAB4CQ473J		R 703	(A,121,28)	RAB4CQ472J	
R 386	(A,122,93)	RS1/16SS473J		R 704	(A,112,40)	RS1/16SS104J	
R 387	(A,122,96)	RS1/16SS473J		R 706	(A,110,36)	RS1/16SS221J	
R 388	(A,111,94)	RS1/16SS473J		R 707	(A,111,38)	RS1/16SS221J	
				R 708	(A,112,38)	RS1/16SS101J	
R 389	(A,112,91)	RS1/16SS473J					
R 390	(A,111,97)	RS1/16SS473J		R 709	(A,113,38)	RS1/16SS221J	
R 391	(A,115,90)	RS1/16SS221J		R 710	(A,114,38)	RS1/16SS101J	
R 392	(A,114,90)	RS1/16SS221J		R 711	(A,116,39)	RS1/16SS102J	
R 393	(A,114,88)	RS1/16SS221J		R 715	(A,119,36)	RS1/16SS331J	
				R 716	(A,120,36)	RS1/16SS331J	
R 394	(A,113,91)	RS1/16SS221J					
R 395	(A,111,92)	RS1/16SS221J		R 717	(A,121,36)	RS1/16SS331J	E
R 396	(A,112,89)	RS1/16SS221J		R 718	(A,124,36)	RS1/16SS221J	
R 397	(A,110,92)	RS1/16SS473J		R 719	(A,123,36)	RS1/16SS104J	
R 398	(A,107,91)	RS1/16SS473J		R 751	(A,19,123) (D,E,F)	RS1/16SS821J	
				R 752	(A,14,123) (D,E,F)	RS1/16SS821J	
R 399	(A,109,90)	RS1/16SS101J					
R 400	(A,94,65)	RS1/16SS473J		R 753	(A,17,124) (D,E,F)	RS1/16SS223J	
R 401	(A,105,89)	RS1/16SS102J		R 754	(A,14,125) (D,E,F)	RS1/16SS223J	
R 402	(A,106,92)	RS1/16SS473J		R 755	(A,27,126)	RS1/16SS821J	
R 403	(A,101,92)	RS1/16SS473J		R 756	(A,21,125)	RS1/16SS821J	
				R 757	(A,26,129)	RS1/16SS223J	
R 404	(A,103,88)	RS1/16SS473J					
R 409	(A,100,82)	RS1/16SS472J		R 758	(A,22,127)	RS1/16SS223J	F
R 411	(A,104,60)	RS1/16SS472J		R 764	(A,21,130)	RS1/16SS0R0J	
R 412	(A,96,80)	RS1/16SS104J		R 765	(A,19,126) (D,E,F)	RS1/16SS0R0J	
R 413	(A,100,79)	RS1/16SS101J		R 789	(A,51,132) (D,E,F)	RS1/16SS0R0J	
				R 795	(A,93,94) (E)	RS1/16SS471J	

	1	2	3	4
	<u>Circuit Symbol and No.</u>	<u>Part No.</u>	<u>Circuit Symbol and No.</u>	<u>Part No.</u>
			C 302 (A,110,18)	CCSRCH101J50
	R 796 (A,60,137) (D,E,F)	RS1/16SS102J		
	R 797 (A,60,134) (D,E,F)	RS1/16SS102J	C 303 (A,106,26)	CKSSYB104K16
A	R 799 (A,61,137) (E)	RS1/16SS471J	C 351 (A,107,66)	CKSSYB104K10
	R 801 (A,131,7)	RS1/10SR222J	C 352 (A,111,66)	CKSSYB104K10
	R 803 (A,122,18)	RS1/16SS223J	C 353 (A,113,66)	CKSSYB104K10
			C 354 (A,115,66)	CKSSYB104K10
	R 804 (A,119,18)	RS1/16SS223J		
	R 805 (A,122,20)	RS1/10SR101J	C 357 (A,118,66)	CKSSYB104K10
	R 806 (A,118,20)	RS1/10SR101J	C 359 (A,125,72) 1 uF	DCH1246
	R 807 (A,120,20)	RS1/10SR101J	C 361 (A,125,70)	CKSSYB104K10
	R 808 (A,130,9)	RS1/10SR222J	C 362 (A,123,74) (C,D,F)	CKSSYB104K10
			(A,123,74) (E)	CCSSCH101J50
	R 809 (A,117,19)	RS1/10SR220J	C 363 (A,123,75) (C,D,F)	CKSSYB104K10
	R 810 (A,115,19)	RS1/10SR220J	(A,123,75) (E)	CCSSCH102J50
	R 813 (A,109,14)	RS1/10SR222J		
B	R 814 (A,103,18)	RS1/10SR222J	C 364 (A,128,78) (E)	CCSSCH120J50
	R 815 (A,102,18)	RS1/16SS822J	C 365 (A,130,79) (C,D,F)	CCSSCH120J50
			C 366 (A,129,73)	CCSSCH120J50
	R 816 (A,98,19)	RS1/10SR222J	C 368 (A,123,78)	CKSSYB102K50
	R 817 (A,97,19)	RS1/10SR222J	C 369 (A,124,83)	CKSSYB104K10
	R 841 (A,95,20)	RS1/16SS472J		
	R 859 (A,91,125)	RS1/16SS103J	C 370 (A,125,83)	CKSSYB104K10
	R 901 (A,92,127)	RS1/16SS103J	C 377 (A,125,97)	CKSRYB105K16
			C 379 (A,122,94)	CCSSCJ3R0C50
	R 902 (A,92,129)	RS1/16SS221J	C 381 (A,116,88)	CKSSYB104K10
	R 903 (A,91,128)	RS1/16SS223J	C 383 (A,110,88)	CKSSYB104K10

**CAPACITORS**

C	C 101 (A,135,124) 2 200 uF/16 V	CCH1405	C 384 (A,107,93)	CCSSCH220J50
	C 111 (A,98,125)	CKSRYB104K50	C 385 (A,108,88)	CKSSYB104K10
	C 151 (A,146,69)	XCEVW221M16	C 386 (A,107,88)	CKSSYB104K10
	C 152 (A,142,63) 1 uF	CCG1396	C 387 (A,106,90)	CKSSYB104K10
	C 153 (A,141,65) 10 uF	CCG1236	C 388 (A,98,89)	CCSRCH330J50
			C 389 (A,101,80)	CKSSYB104K10
	C 154 (A,136,53)	CKSRYB105K10	C 390 (A,107,51)	CCSSCH100D50
	C 156 (A,160,70)	XCEAT102M16	C 391 (A,98,80)	CCSSCH220J50
	C 157 (A,155,64) 10 uF	CCG1236	C 392 (A,97,79)	CCSSCH220J50
	C 160 (A,141,54) 10 uF	CCG1236	C 393 (A,99,77)	CCSSCH220J50
	C 162 (A,139,41)	CCSSCH391J50		
D	C 163 (A,132,38)	CEVQW221M6R3	C 394 (A,101,75)	CKSSYB104K10
	C 164 (A,145,46)	CCSSCH471J50	C 395 (A,101,73)	CKSSYB103K16
	C 165 (A,143,45)	CCSSCH221J50	C 398 (A,130,95) 1 uF	DCH1246
	C 166 (A,138,37) 10 uF	CCG1192	C 399 (A,121,99)	CKSRYB104K16
	C 167 (A,132,29) 10 uF	CCG1192	C 400 (A,101,83)	CCSSCH100D50
			C 501 (A,94,89)	CKSSYB104K10
	C 169 (A,134,24) 10 uF	CCG1192	C 502 (A,95,88)	CKSSYB104K10
	C 171 (A,136,31) 10 uF	CCG1236	C 551 (A,103,117)	CKSRYB105K10
	C 172 (A,138,31) 10 uF	CCG1236	C 553 (A,95,116)	CKSRYB105K10
	C 173 (A,164,48)	CKSRYB105K10	C 554 (A,94,108) 1 uF	DCH1246
	C 174 (A,161,43)	CKSRYB105K10		
			C 555 (A,96,116)	CKSRYB105K10
			C 560 (A,109,113)	CKSRYB105K10
E	C 177 (A,158,80) 10 uF	CCG1192	C 561 (A,110,115)	CKSRYB105K10
	C 178 (A,157,36)	CCSSCH391J50	C 562 (A,106,117)	CKSRYB105K10
	C 179 (A,157,35)	CKSSYB102K50	C 563 (A,114,103) 10 uF	CCG1192
	C 180 (A,163,34) 10 uF	CCG1192		
	C 181 (A,161,28)	CEVQW221M6R3	C 564 (A,117,109)	XCEVW470M16
			C 565 (A,117,103)	CKSSYB104K10
	C 183 (A,162,41) 4.7 uF	CCG1212	C 568 (A,97,108)	CKSSYB104K10
	C 185 (A,143,24)	XCEVW221M10	C 569 (A,96,107)	CKSSYB104K10
	C 186 (A,157,34)	CCSSCH561J50	C 570 (A,95,104) 10 uF	CCG1192
	C 187 (A,130,22)	CCSRCH101J50		
	C 188 (A,135,17) (C)	CKSRYB105K10	C 572 (A,93,109) 1 uF	DCH1246
	(A,135,17) (D,E,F)	CKSRYB102K50	C 573 (A,112,112) 1 uF	DCH1246
			C 574 (A,111,112) 1 uF(E)	DCH1246
F	C 192 (A,148,20) 22 uF	CCG1254	C 575 (A,95,101) 10 uF	CCG1192
	C 194 (A,146,16) (D,E,F)	CKSRYB103K50	C 576 (A,97,100)	CKSSYB104K10
	C 253 (A,100,42)	CKSRYB104K16		
	C 255 (A,92,38) 10 uF	CCG1192	C 577 (A,108,99) 10 uF	CCG1192
			C 583 (A,110,109) 10 uF	CCG1192

5		6		7		8	
<u>Circuit Symbol and No.</u>		<u>Part No.</u>		<u>Circuit Symbol and No.</u>		<u>Part No.</u>	
C 584	(A,110,106)	CKSSYB104K10		C 857	(A,80,129)	CKSRBY474K10	
C 585	(A,110,105)	CKSSYB104K10		C 863	(A,86,130) 2.2 uF	CCG1205	
C 586	(A,110,103)	CKSSYB104K10		C 864	(A,140,121)	CKSRBY104K50	
C 587	(A,98,105)	CKSSYB102K50		C 868	(A,69,130) 10 uF/16 V	DCH1263	A
C 589	(A,93,102) 1 uF	DCH1246		C 901	(A,90,130)	CKSRBY105K10	
C 590	(A,112,104)	CKSRBY105K10		C 913	(A,108,127)	CKSRBY104K50	
C 602	(A,141,100) (E)	CCSSCK2R0C50		C 915	(A,97,28)	CKSRBY104K16	
C 603	(A,141,101) (E)	CCSSCK1R0C50					
C 604	(A,142,98) (E)	CCSSCK1R0C50					
C 605	(A,143,99) (E)	CCSSCH120J50					
C 607	(A,142,89)	CKSSYB102K50					
C 610	(A,142,86)	CKSSYB152K50					
C 611	(A,148,105)	CCSSCH331J50					
C 612	(A,149,105)	CCSSCH220J50					
C 613	(A,156,104)	CCSSCH100D50		IC 201	(B,24,38) IC	PEQ094A	B
C 615	(A,145,91)	CKSSYB104K10		IC 301	(A,37,12) IC	BD8223EFV	
C 617	(A,150,93)	CKSSYB102K50		Q 101	(B,12,54) Transistor	2SA1577	
C 618	(A,150,92)	CKSSYB224K6R3		Q 102	(B,16,55) Chip Digital Transistor	LTA123JUB	
C 620	(A,154,92)	CKSSYB104K10		X 201	(B,25,50) Ceramic Resonator 16.934 MHz	CSS1603	
C 621	(A,152,90)	CCSSCH390J50		S 901	(A,43,54) Spring Switch(HOME)	CSN1080	
C 624	(A,161,82) (C,D,F)	CKSRBY105K10		S 903	(B,22,13) Spring Switch(DSCSNS)	CSN1081	
C 625	(A,164,82) (C,D,F)	CKSRBY105K10		CN101	(A,17,58) Connector	CKS4808	
C 626	(A,146,80) 10 uF	CCG1192		CN701	(A,26,30) Connector	CKS6146	
C 630	(A,146,77) 1 uF	DCH1246					
C 631	(A,142,82)	CKSSYB102K50					
C 632	(A,152,107)	CKSRBY104K16		R 101	(B,7,59)	RS1/10SR2R4J	C
C 635	(A,143,78) (D,E,F)	CCSSCH101J50		R 102	(B,8,59)	RS1/10SR2R4J	
C 636	(A,146,76) (C)	CKSSYB102K50		R 103	(B,10,59)	RS1/10SR2R7J	
C 637	(A,143,75) (C,D,F)	CKSSYB104K10		R 108	(B,14,58)	RS1/16SS105J	
C 639	(A,149,108)	CCSSCH471J50		R 109	(B,15,50)	RS1/16SS152J	
C 701	(A,113,40)	CKSSYB103K16		R 214	(B,18,28)	RS1/16SS103J	
C 702	(A,127,30)	CKSSYB103K16		R 215	(B,17,28)	RS1/16SS393J	
C 704	(A,122,39)	CCSSCH100D50		R 216	(B,13,36)	RS1/16SS102J	
C 705	(A,120,39)	CCSSCH100D50		R 217	(B,10,33)	RS1/16SS562J	
C 706	(A,118,40)	CCSSCH100D50		R 218	(B,10,36)	RS1/16SS472J	
C 709	(A,107,43)	CKSRBY104K16		R 229	(B,13,35)	RS1/16SS471J	D
C 751	(A,22,123) 10 uF(D,E,F)	CCG1192		R 232	(A,31,55)	RS1/16SS0R0J	
C 752	(A,17,121) 10 uF(D,E,F)	CCG1192		R 237	(B,34,45)	RS1/16SS221J	
C 753	(A,17,125) (D,E,F)	CCSSCH101J50		R 240	(B,35,40)	RS1/16SS473J	
C 754	(A,14,127) (D,E,F)	CCSSCH101J50		R 245	(A,34,46)	RS1/16SS104J	
C 755	(A,30,126) 10 uF	DCH1201		R 254	(A,37,56)	RS1/16SS104J	
C 756	(A,24,125) 10 uF	CCG1192		R 260	(B,30,27)	RS1/16SS103J	
C 757	(A,26,130)	CCSSCH101J50		R 264	(A,22,9)	RS1/16SS102J	
C 758	(A,22,128)	CCSSCH101J50		R 281	(B,34,38)	RS1/16SS560J	
C 760	(A,38,131)	CKSSYB104K10		R 282	(B,34,39)	RS1/16SS560J	
C 761	(A,9,132)	CKSSYB103K16		R 291	(B,34,35)	RS1/16SS560J	
C 787	(A,54,137) (D,E,F)	CKSRBY104K16		R 294	(B,28,49)	RS1/16SS471J	E
C 788	(A,37,132) (D,E,F)	CKSRBY104K16		R 303	(A,28,12)	RS1/16SS123J	
C 801	(A,126,6)	CCSRCH102J50		R 304	(A,29,11)	RS1/16SS123J	
C 803	(A,91,18)	CKSRBY105K10		R 305	(A,27,9)	RS1/16SS102J	
C 804	(A,127,14)	CKSRBY105K10		R 306	(A,27,12)	RS1/16SS472J	
C 806	(A,126,9)	CKSRBY104K16		R 307	(A,26,9)	RS1/16SS102J	
C 807	(A,124,14)	CKSRBY105K10		R 308	(A,26,12)	RS1/16SS472J	
C 808	(A,110,13)	CKSRBY104K16		R 309	(A,35,7)	RS1/16SS473J	
C 809	(A,98,16)	CCSRCH221J50		R 310	(B,31,9)	RS1/16SS472J	
C 810	(A,98,13)	CCSRCH221J50		R 311	(B,31,10)	RS1/16SS472J	
C 811	(A,105,18)	CKSSYB104K10		R 312	(B,31,11)	RS1/16SS472J	F
C 851	(A,72,129)	CKSRBY474K10		R 313	(B,31,12)	RS1/16SS472J	
C 853	(A,82,129)	CKSRBY474K10		R 701	(A,22,38)	RS1/16SS101J	
C 855	(A,74,129)	CKSRBY474K10		R 702	(A,24,38)	RS1/16SS101J	

**C**  
**Unit Number : CWX4269**  
**Unit Name : CD Core Unit(S11.6VA)**

**MISCELLANEOUS**

IC 201	(B,24,38) IC	PEQ094A
IC 301	(A,37,12) IC	BD8223EFV
Q 101	(B,12,54) Transistor	2SA1577
Q 102	(B,16,55) Chip Digital Transistor	LTA123JUB
X 201	(B,25,50) Ceramic Resonator 16.934 MHz	CSS1603
S 901	(A,43,54) Spring Switch(HOME)	CSN1080
S 903	(B,22,13) Spring Switch(DSCSNS)	CSN1081
CN101	(A,17,58) Connector	CKS4808
CN701	(A,26,30) Connector	CKS6146

**RESISTORS**

R 101	(B,7,59)	RS1/10SR2R4J
R 102	(B,8,59)	RS1/10SR2R4J
R 103	(B,10,59)	RS1/10SR2R7J
R 108	(B,14,58)	RS1/16SS105J
R 109	(B,15,50)	RS1/16SS152J
R 214	(B,18,28)	RS1/16SS103J
R 215	(B,17,28)	RS1/16SS393J
R 216	(B,13,36)	RS1/16SS102J
R 217	(B,10,33)	RS1/16SS562J
R 218	(B,10,36)	RS1/16SS472J
R 229	(B,13,35)	RS1/16SS471J
R 232	(A,31,55)	RS1/16SS0R0J
R 237	(B,34,45)	RS1/16SS221J
R 240	(B,35,40)	RS1/16SS473J
R 245	(A,34,46)	RS1/16SS104J
R 254	(A,37,56)	RS1/16SS104J
R 260	(B,30,27)	RS1/16SS103J
R 264	(A,22,9)	RS1/16SS102J
R 281	(B,34,38)	RS1/16SS560J
R 282	(B,34,39)	RS1/16SS560J
R 291	(B,34,35)	RS1/16SS560J
R 294	(B,28,49)	RS1/16SS471J
R 303	(A,28,12)	RS1/16SS123J
R 304	(A,29,11)	RS1/16SS123J
R 305	(A,27,9)	RS1/16SS102J
R 306	(A,27,12)	RS1/16SS472J
R 307	(A,26,9)	RS1/16SS102J
R 308	(A,26,12)	RS1/16SS472J
R 309	(A,35,7)	RS1/16SS473J
R 310	(B,31,9)	RS1/16SS472J
R 311	(B,31,10)	RS1/16SS472J
R 312	(B,31,11)	RS1/16SS472J
R 313	(B,31,12)	RS1/16SS472J
R 701	(A,22,38)	RS1/16SS101J
R 702	(A,24,38)	RS1/16SS101J

1

**Circuit Symbol and No.**

R 706 (A,33,42)

2

**Part No.**

RS1/16SS221J

3

**Circuit Symbol and No.**

D 1981 (A,35,7) Red LED

4

**Part No.**

FC-1608SXX630D08

**CAPACITORS**

A

C 104 (B,15,52) CKSQYB475K6R3  
 C 110 (B,11,44) CKSSYB104K10  
 C 111 (B,12,44) CKSSYB103K16  
 C 203 (B,22,47) CKSSYB104K10  
 C 205 (A,17,41) CKSRYB105K10

D 1982 (A,3,37) Red LED FC-1608SXX630D08  
 X 1801 (B,68,23) Ceramic Resonator 5.00 MHz CSS1547  
 S 1839 (A,15,18) Encoder (MULTI-CONTROL) CSD1193  
 CN1931 (B,107,8) Connector CKS6451  
 JA 1911 (A,157,23) Connector CKS6443  
 JA 1921 (A,152,6) Jack CKN1090  
 V 1801 (A,137,31) Segment LCD CAW2056

C 209 (B,29,48) CKSRYB104K16  
 C 210 (B,33,44) CKSSYB104K10  
 C 211 (B,34,42) CKSSYB104K10  
 C 212 (B,23,29) CKSSYB104K10  
 C 213 (B,18,26) CKSSYB332K50

**RESISTORS**

R 1801 (B,85,13) RS1/10SR473J  
 R 1802 (B,63,20) RS1/10SR473J  
 R 1803 (B,73,22) RS1/10SR222J  
 R 1805 (B,62,21) RS1/10SR473J  
 R 1806 (B,54,26) RS1/10SR473J

B

C 214 (B,17,26) CKSSYB473K16  
 C 215 (B,19,29) CKSSYB104K10  
 C 216 (B,13,33) CKSSYB152K50  
 C 217 (B,10,35) CCSSCH390J50  
 C 218 (B,10,37) CCSSCH5R0C50

R 1807 (B,55,26) RS1/10SR473J  
 R 1808 (B,52,26) RS1/10SR473J  
 R 1823 (B,51,26) RS1/10SR273J  
 R 1921 (B,138,8) RS1/10SR0R0J  
 R 1922 (B,138,14) RS1/10SR0R0J

■

C 219 (B,14,35) CKSSYB104K10  
 C 220 (A,18,39) CKSSYB104K10  
 C 221 (B,14,32) CKSSYB104K10  
 C 222 (B,14,37) CKSSYB104K10  
 C 223 (B,13,42) CCSSCH680J50

R 1923 (B,136,5) RS1/10SR0R0J  
 R 1931 (B,35,8) RS1/10SR222J  
 R 1932 (B,37,7) RS1/10SR222J  
 R 1941 (B,127,23) RS1/10SR473J  
 R 1951 (B,51,21) RS1/4SA181J

C

C 224 (B,14,45) CCSSCH470J50  
 C 225 (B,14,47) CKSSYB103K16  
 C 228 (B,10,34) CCSSCH180J50  
 C 229 (B,9,41) CKSSYB104K10  
 C 233 (B,33,46) CKSSYB103K16

R 1952 (B,55,23) RS1/4SA101J  
 R 1975 (B,31,19) RS1/10SR562J  
 R 1976 (B,41,20) RS1/10SR0R0J  
 R 1978 (B,35,13) RS1/10SR102J  
 R 1980 (B,31,28) RS1/10SR102J

■

C 236 (B,8,41) CKSSYB104K10  
 C 238 (A,26,45) CKSRYB104K16  
 C 299 (A,26,43) CKSSYB104K10  
 C 302 (B,29,12) CKSSYB102K50  
 C 303 (B,30,12) CKSSYB102K50

R 1982 (B,86,10) RS1/10SR152J  
 R 1984 (B,63,14) RS1/10SR102J  
 R 1986 (B,137,18) RS1/10SR102J  
 R 1988 (B,49,23) RS1/10SR102J  
 R 1990 (B,15,31) RS1/10SR102J

D

C 304 (B,28,12) CKSSYB223K16  
 C 305 (B,27,12) CKSSYB104K10  
 C 306 (A,32,7) CKSSYB104K10  
 C 307 (A,42,19) CKSRYB105K10  
 C 308 (A,32,16) CKSRYB105K10

R 1996 (B,59,7) RS1/10SR0R0J

C 710 (A,34,43) CKSSYB102K50

**CAPACITORS**

C 1806 (B,66,22) CKSRYB104K16  
 C 1807 (B,64,22) CKSRYB105K10  
 C 1912 (B,143,21) CKSRYB102K50

**D****Unit Number: QWM4124****Unit Name : Keyboard Unit****MISCELLANEOUS**

E

IC 1801 (B,84,21) Flash Written UC IC PD6586A8  
 D 1951 (A,60,21) White LED SWBA05(FI231719)  
 D 1968 (A,38,18) Red LED FC-1608SXX630D08  
 D 1969 (A,49,11) Red LED FC-1608SXX630D08  
 D 1970 (A,49,25) Red LED FC-1608SXX630D08

D 1971 (A,34,29) Red LED FC-1608SXX630D08  
 D 1973 (A,71,4) Red LED FC-1608SXX630D08  
 D 1974 (A,57,3) Red LED FC-1608SXX630D08  
 D 1975 (A,111,4) Red LED FC-1608SXX630D08  
 D 1976 (A,93,4) Red LED FC-1608SXX630D08

F

D 1977 (A,89,4) Red LED FC-1608SXX630D08  
 D 1978 (A,137,4) Red LED FC-1608SXX630D08  
 D 1979 (A,133,4) Red LED FC-1608SXX630D08  
 D 1980 (A,115,4) Red LED FC-1608SXX630D08

1

2

3

4