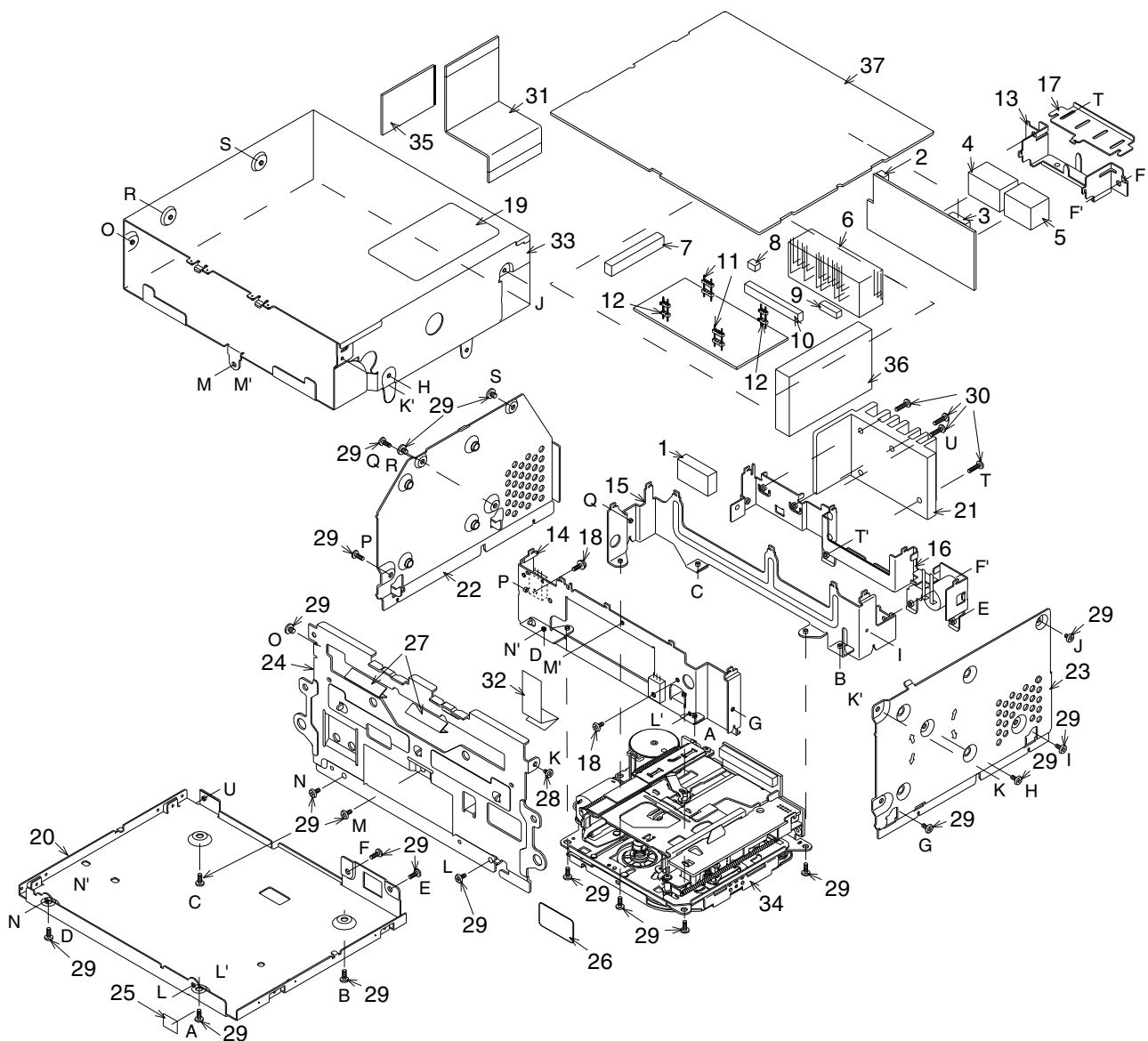


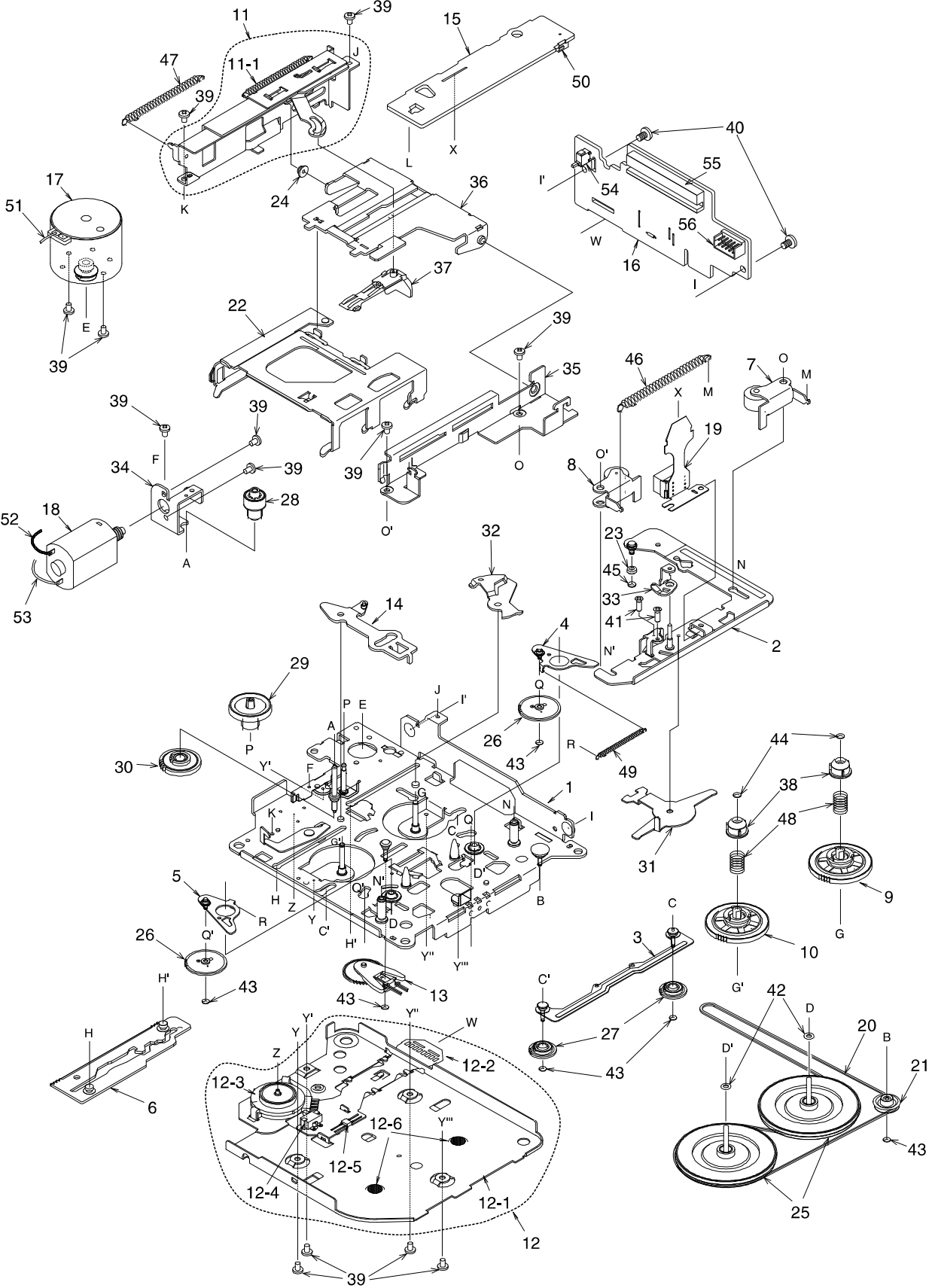
EXPLODED VIEW • PARTS LIST



NO.	PARTS NO.	DESCRIPTION	Q'TY	NO.	PARTS NO.	DESCRIPTION	Q'TY
1	074-0834-12	PLUG(12P)	1	20	311-1834-02	LOWER CASE	1
2	074-0898-06	OUTLETSOCKET(6P)	1	21	313-1882-01	HEAT SINK	1
3	074-0898-18	OUTLETSOCKET(18P)	1	22	331-3258-01	SIDE-CASE	1
4	074-1013-30	OUTLETSOCKET(A12 MW)	1	23	331-3259-03	SIDE-CASE	1
5	074-1087-12	OUTLETSOCKET(A16 MW)	1	24	331-3678-00	ES-PLATE	1
6	074-1141-00	OUTLETSOCKET(NS10+6)	1	25	347-3072-00	PAPER PARTS	1
7	074-1192-22	OUTLETSOCKET(22P)	1	26	347-6623-00	SPACER	1
8	076-0368-06	PLUG(6P)	1	27	347-6910-00	PROTECTOR	2
9	076-0368-18	PLUG(18P)	1	28	714-2004-81	MACHINE SCREW(M2X4)	1
10	076-0509-20	PLUG(20P)	1	29	714-2605-81	MACHINE SCREW(M2.6X5)	22
11	076-0655-03	PLUG(3P)	2	30	714-2612-81	MACHINE SCREW(M2.6X12)	4
12	076-0655-04	PLUG(4P)	2	31	816-2563-10	FLAT WIRE	1
13	331-2025-11	CONN.HOLDER	1	32	816-2550-00	FLAT WIRE	1
14	331-3236-02	MECH-BRKT	1	33	-----	CD-MECH-MODULE(019286)	1
15	331-3237-01	MECH-BRKT	1	34	930-0794-80	TAPE MECH	1
16	331-3238-10	REAR PLATE	1	35	335-6788-00	MOLDED PART	1
17	331-3257-02	CONN.HOLDER	1	36	880-1917U	TUNER	1
18	716-1494-00	IT SCREW(M2.6X6)	2	37	039-2401-00	MAIN PWB (WITHOUT COMPONENT)	1
19	286-9526-15	SETPLATE (PN-2615E-A)	1				
	286-9526-16	SETPLATE (PN-2615E-C)	1				

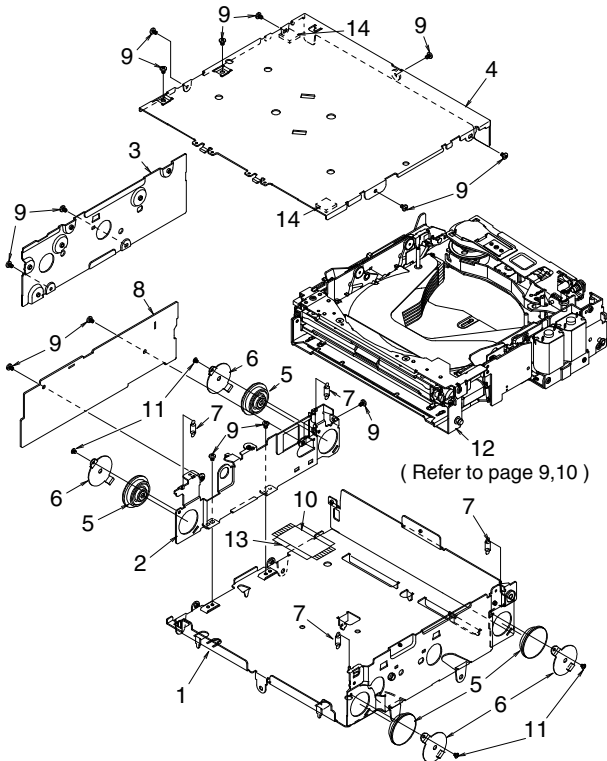
PN-2615E

Tape mechanism section: 930-0794-80

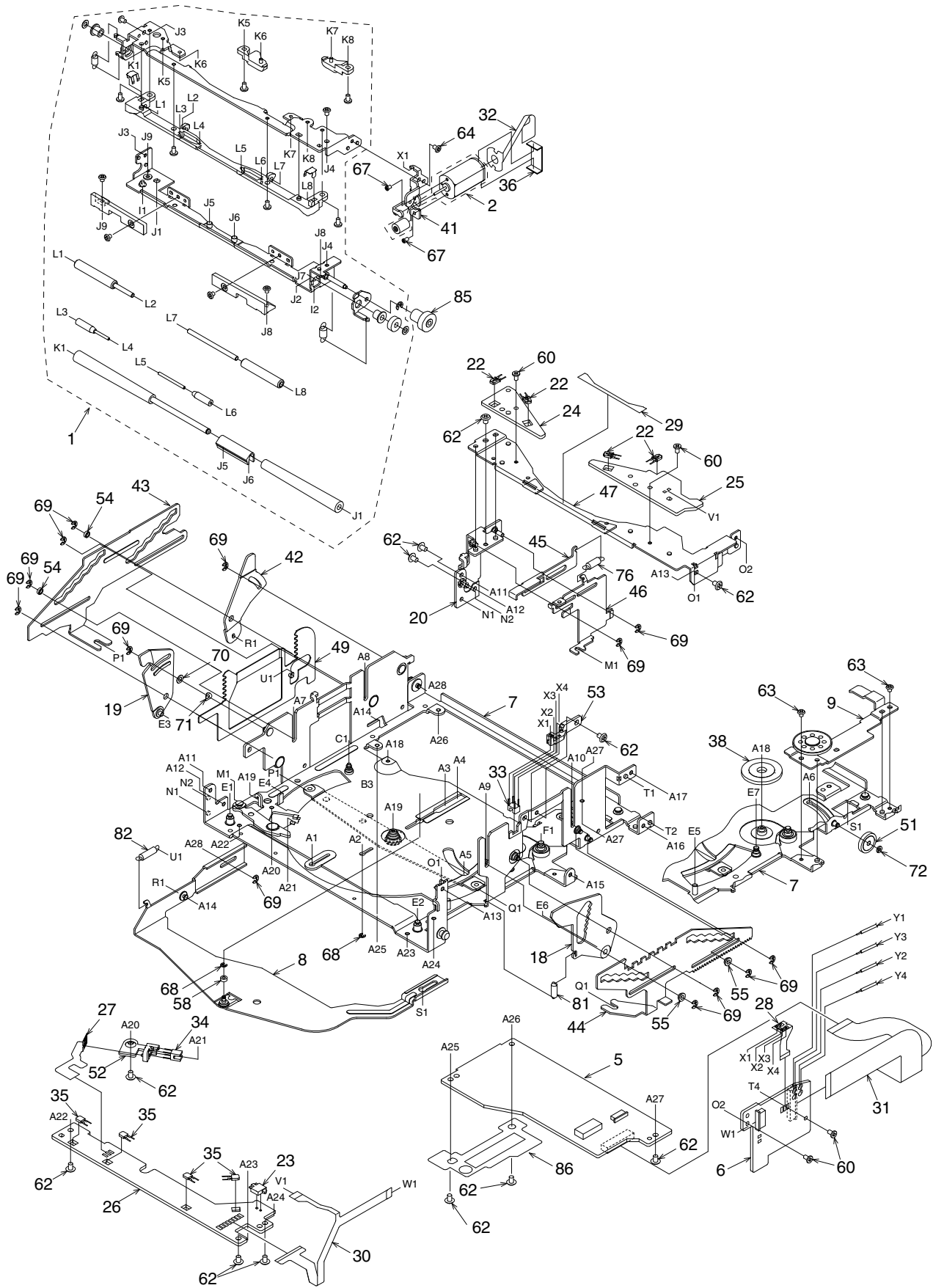


NO.	PARTS NO.	DESCRIPTION	Q'TY	NO.	PARTS NO.	DESCRIPTION	Q'TY
1	960-4294-22	DECK PLATE ASSY	1	24	610-0343-00	GUIDE A-ROLLER	1
2	960-4261-20	HEAD PLATE ASSY	1	25	611-0091-03	FLYWHEEL	2
3	960-4262-04	FF/REW-P ASSY	1	26	613-0662-00	IDLER GEAR	2
4	960-4263-03	IDLER-P-ASSY L	1	27	613-0286-03	FF/REW GEAR	2
5	960-4264-03	IDLER-P-ASSY R	1	28	613-0288-01	HELICAL GEAR	1
6	960-4266-20	MODE PLATE ASSY	1	29	613-0289-01	GEAR A	1
7	960-4269-05	ROLLER ASSY F	1	30	613-0337-00	POWER GEAR	1
8	960-4270-05	ROLLER ASSY R	1	31	630-2597-01	CHANGE LINK	1
9	960-4348-03	REEL ASSY F	1	32	630-2598-05	EJECT LINK	1
10	960-4349-03	REEL ASSY R	1	33	630-2600-01	ADJUST LINK	1
11	960-4389-20	EJECT SUB ASSY	1	34	630-2601-02	MOTOR PLATE	1
11-1	750-3020-01	SWITCH PLATE SPRING	1	35	630-2626-06	PWB FRAME	1
12	960-4338-09	BOTTOM SUB ASSY	1	36	630-2642-01	GUIDE ARM	1
12-1	960-4295-02	BOTTOM P-ASSY	1	37	631-1992-02	PACK STOPPER	1
12-2	099-9926-01	BOTTOM PWB (WITHOUT COMPONENT)	1	38	631-1993-01	SLIDE BUSH	2
12-3	013-3951-32	SWITCH(MODE)	1	39	716-0484-00	SCREW(M2x2.5)	13
12-4	013-3953-01	SWITCH(METAL)	1	40	716-1676-00	PWB SCREW(M2.6x6)	2
12-5	051-1776-00	IC	1	41	716-0833-10	SCREW(M2x5.6)	2
12-6	746-0767-00	WASHER	2	42	746-0624-00	WASHER	2
13	960-4282-06	DETECT SUB ASSY	1	43	746-0724-00	WASHER	6
14	960-4301-02	PLAY LINK ASSY	1	44	746-0761-00	WASHER	2
15	039-1912-01	SIDE PWB (WITHOUT COMPONENT)	1	45	746-0762-00	WASHER	1
16	039-1913-00	REAR PWB (WITHOUT COMPONENT)	1	46	750-2946-02	PINCH SPRING	1
17	SMA-168-100	MAIN MOTOR ASSY	1	47	750-2947-04	EJECT P-SPRING	1
18	SMA-169-100	POWER MOTOR ASSY	1	48	750-2949-00	SLIDE SPRING	2
19	011-0328-01	HEAD	1	49	750-3017-02	IDLER P-SPRING	1
20	602-0118-00	BELT	1	50	074-0898-10	OUTLET SOCKET(10P)	1
21	604-0046-00	TENSION PULLEY	1	51	802-4906-60	WIRE(RED)	1
22	606-0093-07	PACK GUIDE	1	52	806-4914-60	WIRE(BLUE)	1
23	610-0342-01	HEAD P-ROLLER	1	53	816-2349-00	WIRE(WHITE)	1
				54	013-3906-00	SWITCH(TAPE IN)	1
				55	074-1012-20	OUTLET SOCKET(20P)	1
				56	076-0368-10	PLUG(10P)	1

CD changer module section

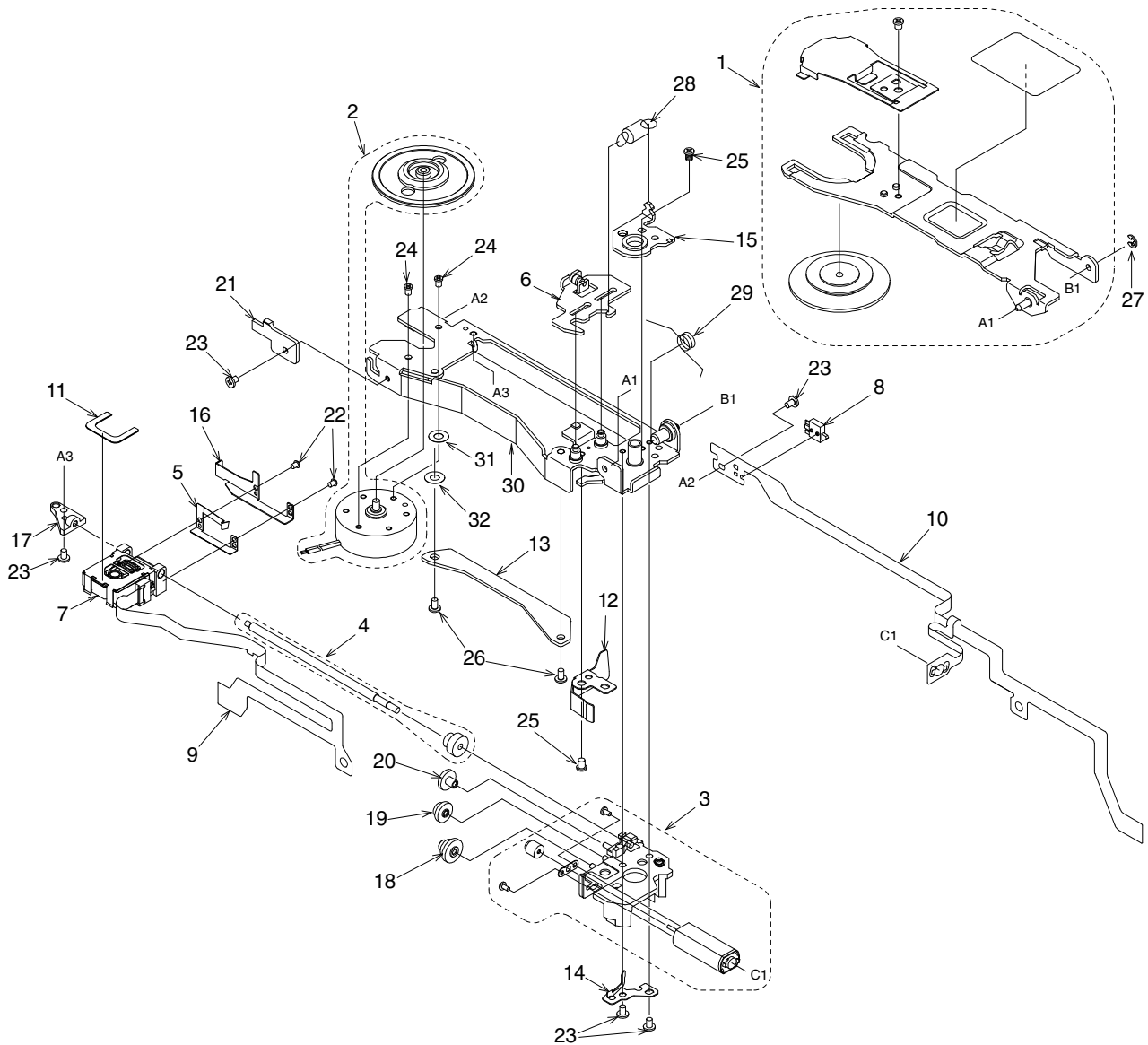


NO.	PARTS NO.	DESCRIPTION	Q'TY
1	311-1837-25	LOWER CASE	1
2	331-3266-24	PWB HOLDER	1
3	305-0315-21	SIDE CASE	1
4	310-1741-23	UPPER CASE	1
5	629-0083-01	DAMPER	4
6	620-1086-20	DAMPER-H-PLT	4
7	750-3491-00	FL-APRING	4
8	039-2020-01	SIDE PWB (WITHOUT COMPONENT)	1
9	716-1716-00	SCREW(M2x3)	14
10	039-1957-01	FPC (WITHOUT COMPONENT)	1
11	716-3450-00	SCREW(M1.7x2)	4
12	-----	CD CHANGER MECHANISM	1
13	347-6619-00	INSULATOR	1
14	345-8329-00	CUSHION RUBBER	2



NO.	PARTS NO.	DESCRIPTION	Q'TY	NO.	PARTS NO.	DESCRIPTION	Q'TY
1	HBS-521-100	LOADING UNIT (WITHOUT MOTOR)	1	38	620-1042-00	M-GEAR-H	1
2	SMA-186-100	LOADING MOTOR ASSY	1	39	620-1056-21	HLR-PLATE-L	1
3	HBS-512-100	MOTOR PLATE SUB ASSY	1	40	620-1580-00	HLR-PLATE-R	1
4	HBS-513-103	DRIVE UNIT	1	41	620-1576-20	LO-MOTOR-PLT	1
5	039-1951-20	CD PWB (WITHOUT COMPONENT)	1	42	620-1066-20	LOCK LINK-LR	1
6	039-1953-00	DRIVER PWB (WITHOUT COMPONENT)	1	43	620-1067-21	SLIDE PLATE-L	1
7	966-0597-03	CHASSIS ASSY	1	44	620-1068-22	SLIDE PLATE-R	1
8	966-0600-01	LOCK-P-RE-ASSY	1	45	620-1071-21	EJECT ARM	1
9	966-0601-01	M-GEAR-P-ASSY	1	46	620-1072-20	EJECT PLATE	1
10	966-0602-23	DR-LINK-ASSY	1	47	620-1577-20	FRONT PLATE	1
11	966-0603-00	MODE-P-ASSY	1	48	620-1083-20	FPC-PLATE	1
12	966-0604-02	LOCK-PF-ASSY	1	49	620-1090-00	GAP PLATE	1
13	966-0605-00	SHIFT-P-ASSY	1	50	620-1568-00	RATTLE PLATE-F	2
14	966-0606-03	HLC-PLATE-ASSY	1	51	621-0640-00	V-GEAR-G	1
15	966-0607-04	COV-OLATE-ASSY	1	52	621-0641-21	PI-HOLDER-M	1
16	966-0610-07	TOP-PLATE-ASSY	1	53	621-0656-21	PI-HOLDER-V	1
17	966-0611-25	DR-BASE-P-ASSY	1	54	622-1622-00	SL-G-ROLLER	2
18	966-0615-21	LOCK-L-RF-ASSY	1	55	622-1623-00	SL-G-ROLLER-R	2
19	966-0616-20	LOCK-L-LF-ASSY	1	56	622-1648-02	DU-STP-SLEEVE	1
20	966-0618-21	EJECT-B-ASSY	1	57	622-1650-02	COV-PLATE PIN-B	2
21	966-0624-25	DISC-HOL-ASSY	1	58	622-1651-00	LOCK-RE-ROLLER	1
22	001-7042-00	DIODE (GL4800)	4	59	622-1652-00	LOCK-PF-ROLLER	1
23	013-7414-50	DETECTOR SWITCH	1	60	716-1866-00	SCREW(M1.7x3)	4
24	039-1954-20	LED-L-PWB (WITHOUT COMPONENT)	1	61	716-1873-00	SCREW(M2x1.6)	1
25	039-1955-20	LED-R-PWB (WITHOUT COMPONENT)	1	62	716-3449-00	SCREW(M2x3)	15
26	039-1956-00	SENSOR PWB (WITHOUT COMPONENT)	1	63	716-3450-00	SCREW(M1.7x2)	4
27	039-2009-00	PIM-FPC (WITHOUT COMPONENT)	1	64	716-3451-00	SCREW(M1.7x2.5)	4
28	039-2010-00	PIV-FPC (WITHOUT COMPONENT)	1	65	716-3459-00	SCREW(M1.7x5)	1
29	039-2011-00	LED-FPC (WITHOUT COMPONENT)	1	66	716-3466-02	SCREW	1
30	039-2012-00	SENSOR-FPC (WITHOUT COMPONENT)	1	67	738-1422-11	PRECISION SCREW	2
31	039-2013-00	MOS-FPC (WITHOUT COMPONENT)	1	68	743-1200-20	E-RING	2
32	039-2014-00	L-MOTOR-FPC (WITHOUT COMPONENT)	1	69	743-1500-20	E-RING	13
33	051-5806-01	IC (GPIS93)	1	70	746-0624-00	WASHER	1
34	051-5806-02	IC (GPIS95)	1	71	746-0712-03	WASHER	1
35	060-0252-01	PHOTO-TR	4	72	746-0761-00	WASHER	1
36	347-6657-01	LO-COVER SHEET	1	73	750-3478-01	TOP-P-SP-L	2
37	620-1041-03	GEAR PLATE	1	74	750-3479-01	TOP-P-SP-R	1
				75	750-3480-01	DR-LOCK-SP	1
				76	750-3483-00	EJECT-A-SPRING	1
				77	750-3484-01	DR-BASE-SPRING	1
				78	750-3485-01	TENSION-SP-L	1
				79	750-3486-01	LO-TENSION-SP	1
				80	750-3489-01	DRIVE-P-SPRING	1
				81	750-3496-00	GAP-P-SPRING R	1
				82	750-3497-00	GAP-P-SPRING L	1
				83	750-6711-01	DU-STP-SPRING	1
				84	750-6712-01	DR-LOCK-SP-B	1
				85	621-0651-22	LOAD GEAR-A	1
				86	347-6974-20	FPC COVER	1

CD changer mechanism section: Drive unit



NO.	PARTS NO.	DESCRIPTION	Q'TY	NO.	PARTS NO.	DESCRIPTION	Q'TY
1	HBS-514-100	CLAMPER SUB ASSY	1	16	620-1588-20	SCREW-HOL-PLT	1
2	SMA-185-101	SPINDLE MOTOR ASSY	1	17	621-0670-20	LS-HOLDER-L	1
3	SMA-184-100	SLED MOTOR ASSY	1	18	621-0673-20	D-GEAR A	1
4	HBS-515-101	LS-ASSY	1	19	621-0674-20	D-GEAR B	1
5	620-1587-80	SH-SP-PLT	1	20	621-0675-20	D-GEAR C	1
6	966-0622-02	D-SHIFT-P-ASSY	1	21	621-0683-21	DU-STOPPER	1
7	969-0009-00	PICK UP-ASSY	1	22	716-3460-00	SCREW(M1.4x1.8)	2
8	013-7414-50	DETECT SWITCH	1	23	716-3470-00	SCREW(M1.7x3)	5
9	039-2015-01	P/U-FPC (WITHOUT COMPONENT)	1	24	738-1720-17	PRECISION SCREW	2
10	039-2016-01	M/S-FPC (WITHOUT COMPONENT)	1	25	738-2025-17	PRECISION SCREW	2
11	347-6632-00	PU-SHEET	1	26	716-3474-00	SCREW(M1.7x3)	2
12	620-1078-20	PUSH PLATE	1	27	743-1500-20	E-RING	1
13	620-1080-21	PU-GUIDE PLATE	1	28	750-3487-00	SHIFT-P-SPRING	1
14	620-1081-20	SCREW PUSH-PLT	1	29	750-3504-00	CLAMP-A-SPRING	1
15	620-1082-02	SPRING PLATE	1	30	966-0619-24	DRIVE PLT-ASSY	1
				31	745-0807-00	WASHER	1
				32	745-0808-00	WASHER	1

ELECTRICAL PARTS LIST

Main PWB (B1) section

Note) Several different parts of the same reference number are alternative parts.
One of those parts is used in the set.

REF No.	PART No.	DESCRIPTION	REF No.	PART No.	DESCRIPTION	REF No.	PART No.	DESCRIPTION
BL 101	880-1917U	TUNER	C 332	042-0592-58	16V 10uF	C 810	166-2201-50	22pF
C 101	166-1511-50	150pF	C 333	168-1832-55	0.018uF	C 811	166-2201-50	22pF
C 102	166-4701-50	47pF	C 401	168-1042-78	0.1uF	C 812	166-2201-50	22pF
C 103	166-4701-50	47pF	C 402	168-1042-78	0.1uF	C 813	168-2222-55	2200pF(E-A)
C 104	168-1032-55	0.01uF	C 403	168-1042-78	0.1uF	C 814	168-2222-55	2200pF(E-A)
C 105	168-6812-55	680pF	C 404	168-1042-78	0.1uF	C 815	168-8222-55	8200pF(E-A)
C 106	168-4732-78	0.047uF	C 405	042-0505-82	16V 10uF	C 816	168-8222-55	8200pF(E-A)
C 107	168-3332-78	0.033uF	C 406	168-1042-78	0.1uF	C 817	166-2201-50	22pF
C 108	183-1053-69	50V 1uF	C 407	168-1042-78	0.1uF	C 818	166-2201-50	22pF
C 109	168-3922-55	3900pF	C 408	119-0000-05	0	C 819	166-2201-50	22pF
C 110	168-1032-55	0.01uF	C 409	168-2232-55	0.022uF	C 820	166-2201-50	22pF
C 111	168-1022-55	1000pF	C 410	168-1042-78	0.1uF	C 821	178-3942-78	0.39uF(E-A)
C 112	168-1032-55	0.01uF	C 412	166-1011-50	100pF	C 822	178-3942-78	0.39uF(E-A)
C 113	166-2201-50	22pF	C 413	119-0000-05	0	C 823	178-3942-78	0.39uF(E-A)
C 115	166-1007-50	10pF	C 414	166-1011-50	100pF	C 824	178-3942-78	0.39uF(E-A)
C 118	168-1042-78	0.1uF	C 420	163-4763-15	6.3V 47uF	C 825	043-0309-91	0.82uF(E-A)
C 121	183-1073-29	10V 100uF	C 421	168-1042-78	0.1uF	C 826	043-0309-91	0.82uF(E-A)
C 122	043-0277-51	0.022uF	C 422	168-1022-55	1000pF	C 827	166-2201-50	22pF(E-A)
C 124	168-1042-78	0.1uF	C 423	168-1042-78	0.1uF	C 828	166-2201-50	22pF(E-A)
C 125	183-1073-29	10V 100uF	C 424	168-1032-55	0.01uF	C 829	166-2201-50	22pF(E-A)
C 129	168-1042-78	0.1uF	C 430	168-2222-55	2200pF	C 830	166-2201-50	22pF(E-A)
C 130	183-1073-29	10V 100uF	C 431	168-2222-55	2200pF	C 831	168-2232-55	0.022uF(E-A)
C 132	178-1052-78	1uF	C 432	168-2222-55	2200pF	C 832	168-2232-55	0.022uF(E-A)
C 133	168-1232-55	0.012puF	C 433	168-2222-55	2200pF	C 833	168-1232-55	0.012puF(E-A)
C 134	042-0458-90	50V 1uF	C 434	168-2222-55	2200pF	C 834	168-1232-55	0.012puF(E-A)
C 135	183-4763-39	16V 47uF	C 501	168-1042-78	0.1uF	C 835	168-1232-55	0.012puF(E-A)
C 136	043-0277-51	0.022uF	C 502	163-1073-35	10V 100uF	C 836	168-1232-55	0.012puF(E-A)
C 138	168-1022-55	1000pF	C 503	163-1073-35	10V 100uF	C 837	178-1542-78	0.15uF
C 140	183-4763-39	16V 47uF	C 504	163-1073-35	10V 100uF	C 838	178-2742-78	0.27uF(E-A)
C 141	168-2232-55	0.022uF	C 505	168-1042-78	0.1uF	C 838	178-5642-78	0.56uF(E-C)
C 142	166-1011-50	100pF	C 506	163-1073-35	10V 100uF	C 839	178-2742-78	0.27uF(E-A)
C 143	166-1011-50	100pF	C 507	163-1073-35	10V 100uF	C 839	178-5642-78	0.56uF(E-C)
C 144	166-1011-50	100pF	C 508	163-1073-35	10V 100uF	C 840	178-1542-78	0.15uF
C 145	166-1011-50	100pF	C 509	042-0416-57	10V 47uF TAN	C 841	178-1242-78	0.12uF
C 146	166-1801-50	18pF	C 510	168-1042-78	0.1uF	C 842	178-1542-78	0.15uF(E-A)
C 147	168-3932-78	0.039uF	C 511	042-0592-58	16V 10uF	C 842	178-6832-78	0.068uF(E-C)
C 148	168-3932-78	0.039uF	C 512	163-1073-35	10V 100uF	C 843	178-1542-78	0.15uF(E-A)
C 149	178-1242-78	0.12uF	C 513	168-1042-78	0.1uF	C 843	178-6832-78	0.068uF(E-C)
C 150	178-1242-78	0.12uF	C 514	178-3342-78	0.33uF	C 844	178-1242-78	0.12uF
C 151	166-1801-50	18pF	C 515	163-4763-35	16V 47uF	C 845	166-2201-50	22pF
C 152	168-4722-55	4700pF	C 516	042-9038-00	35V 560uF	C 846	166-2201-50	22pF
C 153	166-1201-50	12pF	C 517	168-4732-78	0.047uF	C 847	166-2201-50	22pF
C 155	166-2201-50	22pF	C 518	168-1022-55	1000pF	C 848	166-2201-50	22pF
C 156	166-2201-50	22pF	C 531	042-0667-00	16V 470uF	C 849	166-2201-50	22pF
C 158	166-2201-50	22pF	C 532	168-1042-78	0.1uF	C 850	166-2201-50	22pF(E-A)
C 305	042-0416-59	10V 33uF TAN	C 601	168-2232-55	0.022uF	C 851	166-2201-50	22pF(E-A)
C 307	042-0592-73	50V 1uF	C 602	168-2222-55	2200pF	C 852	166-2201-50	22pF
C 308	042-0592-73	50V 1uF	C 603	168-2222-55	2200pF	C 853	168-8222-55	8200pF(E-A)
C 311	042-0592-73	50V 1uF	C 604	168-2222-55	2200pF	C 853	168-4732-78	0.047uF(E-C)
C 312	042-0592-73	50V 1uF	C 605	168-2222-55	2200pF	C 854	168-2232-55	0.022uF(E-A)
C 313	178-4742-78	0.47uF	C 606	168-2222-55	2200pF	C 855	168-2232-55	0.022uF(E-A)
C 314	178-4742-78	0.47uF	C 607	168-2222-55	2200pF	C 856	168-8222-55	8200pF(E-A)
C 315	168-1222-55	1200pF	C 608	168-2222-55	2200pF	C 856	168-4732-78	0.047uF(E-C)
C 316	042-0592-73	50V 1uF	C 609	168-2222-55	2200pF	C 857	168-3932-78	0.039uF(E-A)
C 317	042-0592-73	50V 1uF	C 610	168-2222-55	2200pF	C 857	168-1032-55	0.01uF(E-C)
C 318	168-1222-55	1200pF	C 611	172-1041-15	0.1uF	C 858	178-3942-78	0.39uF(E-A)
C 323	178-1842-78	0.18uF	C 612	184-3383-32	16V 3300uF	C 859	178-3942-78	0.39uF(E-A)
C 324	178-1842-78	0.18uF	C 613	183-1053-69	50V 1uF	C 860	168-3932-78	0.039uF(E-A)
C 325	178-1842-78	0.18uF	C 614	172-1041-15	0.1uF	C 860	168-1032-55	0.01uF(E-C)
C 326	178-1842-78	0.18uF	C 615	183-1063-39	16V 10uF	C 861	042-0592-61	16V 47uF
C 327	168-8212-55	820pF	C 801	042-0592-58	16V 10uF	C 862	168-1042-78	0.1uF
C 328	168-8212-55	820pF	C 802	042-0592-58	16V 10uF	C 863	042-0592-58	16V 10uF
C 329	168-8212-55	820pF	C 803	042-0592-58	16V 10uF	C 864	163-2273-25	10V 220uF
C 330	168-8212-55	820pF	C 804	042-0592-58	16V 10uF	C 865	166-2201-50	22pF
C 331	042-0592-58	16V 10uF	C 809	166-2201-50	22pF	C 866	168-5622-55	5600pF

REF No.	PART No.	DESCRIPTION	REF No.	PART No.	DESCRIPTION	REF No.	PART No.	DESCRIPTION
C 867	168-1032-55	0.01uF	D 402	001-0529-44	MA4082M	Q 101	193-0601-00	2SD601A
C 868	168-8232-78	0.082uF(E-A)	D 406	001-0535-90	MA729	Q 102	193-0601-00	2SD601A
C 868	168-6832-78	0.068uF(E-C)	D 408	001-0529-48	MA8091H	Q 103	125-2005-91	UN2211
C 869	168-8232-78	0.082uF(E-A)	D 409	001-0529-48	MA8091H	Q 104	125-2005-91	UN2211
C 869	168-6832-78	0.068uF(E-C)	D 410	001-0529-48	MA8091H	Q 105	192-2712-51	2SC2712GR
C 870	168-4732-78	0.047uF(E-A)	D 411	001-0529-48	MA8091H	Q 106	125-2005-91	UN2211
C 870	168-5632-78	0.056uF(E-C)	D 412	001-0529-48	MA8091H	Q 107	192-2712-51	2SC2712GR
C 871	168-4732-78	0.047uF(E-A)	D 472	001-0516-90	MA111	Q 108	125-2005-91	UN2211
C 871	168-5632-78	0.056uF(E-C)	D 501	001-0504-49	HZS9C3L	Q 109	190-1298-00	2SA1298
C 872	168-1032-55	0.01uF	D 502	001-4303-47	MA5091M	Q 110	125-2005-91	UN2211
C 873	168-8232-78	0.082uF(E-A)	D 503	001-0466-90	S5688B	Q 111	190-1298-00	2SA1298
C 873	168-6832-78	0.068uF(E-C)	D 504	001-0466-90	S5688B	Q 112	125-2005-91	UN2211
C 874	168-4732-78	0.047uF(E-A)	D 505	001-2407-90	SFPB-74V	Q 401	125-2004-96	RN1406
C 874	168-5632-78	0.056uF(E-C)	D 510	001-0516-90	MA111	Q 402	190-1428-00	2SA1428
C 875	166-2201-50	22pF	D 550	001-0347-32	MA4056M	Q 403	125-2005-91	UN2211
C 876	166-2201-50	22pF	D 602	001-0529-34	MA8062L	Q 404	125-2005-91	UN2211
C 879	166-2201-50	22pF	D 605	001-0466-90	S5688B	Q 405	191-0709-00	2SB709
C 880	166-2201-50	22pF	D 606	001-0516-90	MA111	Q 406	125-2005-91	UN2211
C 881	168-8232-78	0.082uF(E-A)	D 607	001-2015-00	RL253	Q 409	125-9003-92	IMD3x2
C 881	168-6832-78	0.068uF(E-C)	D 608	001-0466-90	S5688B	Q 411	192-2712-00	2SC2712
C 882	168-4732-78	0.047uF(E-A)	D 1002	001-0422-38	MTZJ36	Q 413	125-0001-91	UN2111
C 882	168-5632-78	0.056uF(E-C)	D 1003	001-0347-44	MA4082M	Q 414	192-2712-00	2SC2712
C 883	042-0592-73	50V 1uF	D 1006	001-0330-90	1SS119	Q 415	125-2004-93	RN1403
C 884	178-3932-78	0.039uF	D 1007	001-0330-90	1SS119	Q 416	193-0601-00	2SD601A
C 885	178-3932-78	0.039uF	D 1050	001-0466-90	S5688B	Q 417	125-9003-92	IMD3x2
C 886	178-3932-78	0.039uF	IC 101	051-4603-90	TA2083	Q 501	193-1259-50	2SD1259
C 887	178-3932-78	0.039uF	IC 104	051-6212-08	LC72191JM	Q 502	193-2118-00	2SD2118
C 888	183-1063-39	16V 10uF	IC 302	051-5027-00	LC75412WH	Q 503	193-1858-50	2SD1858 Q.R
C 890	178-1052-78	1uF	IC 401	051-1014-08	TA7291F	Q 504	125-9003-92	IMD3x2
C 891	168-1042-78	0.1uF	IC 402	051-1375-38	NM93C46TEM8	Q 505	125-2005-91	UN2211
C 892	168-1822-55	1800pF	IC 403	051-3034-90	NJM4558V	Q 506	190-1048-00	2SA1048
C 893	168-1822-55	1800pF	IC 404	052-3161-13	M30624MGA-E122GP	Q 507	191-1205-60	2SB1205FA
C 894	178-1052-78	1uF	IC 405	051-5436-08	S80933AN	Q 508	191-0709-00	2SB709A
C 895	178-1052-78	1uF	IC 501	051-1834-00	LM2936	Q 517	192-2712-51	2SC2712GR
C 896	178-1052-78	1uF	IC 503	051-3290-00	PQ2CF1	Q 518	191-1214-00	2SB1214
C 897	178-1052-78	1uF	IC 601	051-5418-08	S80827AN	Q 550	103-2012-00	2SD2012
C 898	183-3363-29	10V 33uF	IC 801	051-3019-90	NJM2060V	Q 551	125-9003-92	IMD3x2
C 899	163-3363-25	10V 33uF	IC 802	051-3019-90	NJM2060V(E-A)	Q 603	193-0601-00	2SD601A
C 900	166-2201-50	22pF	IC 803	051-3019-90	NJM2060V	Q 607	125-2005-91	UN2211
C 901	166-2201-50	22pF	IC 804	051-3019-90	NJM2060V	Q 608	191-0709-00	2SB709A
C 902	166-2201-50	22pF	IC 805	051-3020-90	NJM4565V	Q 609	100-1359-00	2SA1359
C 903	166-2201-50	22pF	IC 806	051-3019-90	NJM2060V	Q 801	125-4001-90	XN1504
C 1001	042-0562-67	16V 10uF	IC 808	051-2039-00	TA8263BH	Q 802	125-4001-90	XN1504
C 1002	042-0562-67	16V 10uF	J 401	076-0509-20	TAPE-20P	Q 803	125-0006-90	UN2110
C 1003	042-0562-67	16V 10uF	J 402	074-1192-22	22P	Q 804	125-9003-92	IMD3x2
C 1004	042-0562-67	16V 10uF	J 403	074-0834-12	ES-12P	Q 805	125-0006-90	UN2110
C 1006	168-1022-55	1000pF	J 601	074-1141-00	NS10+6	Q 806	125-9003-92	IMD3x2
C 1007	168-2232-55	0.022uF	J 1001	074-1087-12	A-16	Q 1001	125-0001-91	UN2111
C 1010	168-1022-55	1000pF	J 1002	074-1013-30	A-12MW	Q 1003	193-0601-00	2SD601A
C 1011	168-1022-55	1000pF	L 101	010-2046-41	560uH	Q 1006	125-2005-91	UN2211
C 1012	183-1066-38	16V 10uF	L 102	010-2198-65	0.1uH	Q 1007	125-9006-90	IMX1x2
C 1013	183-1066-38	16V 10uF	L 103	010-2198-53	5.6uH	Q 1050	125-2005-91	UN2211
CCT401	050-0122-50	1/16V 10Kohm x4	L 104	010-2003-04	COIL	R 101	119-4741-15	1/16W 470Kohm
CCT402	050-0140-54	1/32V 1Kohm x4	L 105	010-2312-52	0.27uH	R 102	119-1031-15	1/16W 10Kohm
CCT403	050-0140-54	1/32V 1Kohm x4	L 106	010-6009-76	22uH	R 103	119-4741-15	1/16W 470Kohm
CCT404	050-0140-54	1/32V 1Kohm x4	L 401	010-2174-66	22uH	R 104	119-1021-15	1/16W 1Kohm
CCT405	050-0140-54	1/32V 1Kohm x4	L 402	010-2174-66	22uH	R 105	119-1021-15	1/16W 1Kohm
CCT406	050-0140-54	1/32V 1Kohm x4	L 501	010-8030-00	COIL	R 106	119-8201-15	1/16W 82ohm
CCT407	050-0140-54	1/32V 1Kohm x4	L 601	010-8021-00	COIL	R 107	119-4741-15	1/16W 470Kohm
CCT408	050-0140-54	1/32V 1Kohm x4	P 201	076-0368-18	MAIN-18P	R 108	119-1031-15	1/16W 10Kohm
CCT409	050-0140-54	1/32V 1Kohm x4	P 202	076-0368-06	MAIN-6P	R 109	119-1031-15	1/16W 10Kohm
CCT411	050-0140-54	1/32V 1Kohm x4	P 801	076-0655-04	4P	R 110	119-2231-15	1/16W 22Kohm
CCT412	050-0140-54	1/32V 1Kohm x4	P 802	076-0655-03	3P	R 111	119-1031-15	1/16W 10Kohm
CCT413	050-0140-54	1/32V 1Kohm x4	P 803	076-0655-03	3P	R 113	119-2221-15	1/16W 2.2Kohm
CCT414	050-0140-54	1/32V 1Kohm x4	P 804	076-0655-04	4P	R 117	119-4721-15	1/16W 4.7Kohm
CCT415	050-0140-54	1/32V 1Kohm x4	P 1001	074-0898-18	18P	R 119	119-1021-15	1/16W 1Kohm
D 101	001-3205-90	1SV251	P 1002	074-0898-06	6P	R 120	119-2221-15	1/16W 2.2Kohm
D 102	001-3205-90	1SV251				R 121	119-4721-15	1/16W 4.7Kohm

REF No.	PART No.	DESCRIPTION	REF No.	PART No.	DESCRIPTION	REF No.	PART No.	DESCRIPTION
R 122	119-1841-15	1/16W 180Kohm	R 441	119-1021-15	1/16W 1Kohm	R 807	119-2731-15	1/16W 27Kohm(E-C)
R 124	119-3321-15	1/16W 3.3Kohm	R 442	119-1021-15	1/16W 1Kohm	R 808	119-3331-15	1/16W 33Kohm(E-A)
R 126	116-1001-15	1/4WS 10ohm	R 443	119-2231-15	1/16W 22Kohm	R 808	119-2731-15	1/16W 27Kohm(E-C)
R 127	116-1001-15	1/4WS 10ohm	R 444	119-4731-15	1/16W 47Kohm	R 813	119-1031-15	1/16W 10Kohm
R 128	119-2221-15	1/16W 2.2Kohm	R 445	032-0092-99	1/10W 47Kohm	R 814	119-1031-15	1/16W 10Kohm
R 129	119-2221-15	1/16W 2.2Kohm	R 447	119-4731-15	1/16W 47Kohm	R 815	119-4721-15	1/16W 4.7Kohm
R 130	119-1031-15	1/16W 10Kohm	R 448	032-0092-95	1/10W 100Kohm	R 816	119-4721-15	1/16W 4.7Kohm
R 131	119-1031-15	1/16W 10Kohm	R 449	032-0092-95	1/10W 100Kohm	R 817	119-1831-15	1/16W 18Kohm(E-A)
R 132	119-4721-15	1/16W 4.7Kohm	R 452	119-4731-15	1/16W 47Kohm	R 818	119-1831-15	1/16W 18Kohm(E-A)
R 133	119-1021-15	1/16W 1Kohm	R 453	119-4731-15	1/16W 47Kohm	R 819	119-7521-15	1/16W 7.5Kohm(E-A)
R 134	119-2221-15	1/16W 2.2Kohm	R 454	119-4731-15	1/16W 47Kohm	R 820	119-7521-15	1/16W 7.5Kohm(E-A)
R 135	119-1021-15	1/16W 1Kohm	R 457	119-1041-15	1/16W 100Kohm	R 821	119-4721-15	1/16W 4.7Kohm
R 136	119-1021-15	1/16W 1Kohm	R 458	119-4731-15	1/16W 47Kohm	R 822	119-4721-15	1/16W 4.7Kohm
R 137	116-1001-15	1/4WS 10ohm	R 459	119-4731-15	1/16W 47Kohm	R 823	119-1031-15	1/16W 10Kohm
R 138	119-1031-15	1/16W 10Kohm	R 460	119-1041-15	1/16W 100Kohm	R 824	119-1031-15	1/16W 10Kohm
R 139	119-1031-15	1/16W 10Kohm	R 461	119-1031-15	1/16W 10Kohm	R 825	119-2221-15	1/16W 2.2Kohm
R 140	119-4721-15	1/16W 4.7Kohm	R 463	119-4731-15	1/16W 47Kohm	R 828	119-2221-15	1/16W 2.2Kohm
R 141	119-4731-15	1/16W 47Kohm	R 469	116-2211-15	1/4WS 220ohm	R 829	119-2221-15	1/16W 2.2Kohm
R 151	119-1021-15	1/16W 1Kohm	R 472	119-4741-15	1/16W 470Kohm	R 832	119-2221-15	1/16W 2.2Kohm
R 161	119-0000-05	0	R 474	119-1031-15	1/16W 10Kohm	R 833	119-3621-15	1/16W 3.6Kohm(E-A)
R 162	119-0000-05	0	R 475	119-5631-15	1/16W 56Kohm	R 834	119-3621-15	1/16W 3.6Kohm(E-A)
R 163	119-8201-15	1/16W 82ohm	R 477	119-1031-15	1/16W 10Kohm	R 837	119-5611-15	1/16W 560ohm(E-A)
R 301	119-2731-15	1/16W 27Kohm	R 478	119-1031-15	1/16W 10Kohm	R 838	119-5611-15	1/16W 560ohm(E-A)
R 302	119-2731-15	1/16W 27Kohm	R 479	119-1021-15	1/16W 1Kohm	R 839	119-4731-15	1/16W 47Kohm(E-A)
R 310	032-0106-64	1/10W 56Kohm	R 480	119-4731-15	1/16W 47Kohm	R 840	119-4731-15	1/16W 47Kohm(E-A)
R 311	032-0106-64	1/10W 56Kohm	R 481	119-4741-15	1/16W 470Kohm	R 841	119-4731-15	1/16W 47Kohm(E-A)
R 312	032-0106-64	1/10W 56Kohm	R 501	116-2211-15	1/4WS 220ohm	R 842	119-4731-15	1/16W 47Kohm(E-A)
R 313	032-0106-64	1/10W 56Kohm	R 502	116-3911-15	1/4WS 390ohm	R 843	119-5611-15	1/16W 560ohm(E-A)
R 314	119-1821-15	1/16W 1.8Kohm	R 503	119-1031-15	1/16W 10Kohm	R 844	119-5611-15	1/16W 560ohm(E-A)
R 315	119-1821-15	1/16W 1.8Kohm	R 504	116-1011-15	1/4WS 100ohm	R 845	119-3321-15	1/16W 3.3Kohm(E-A)
R 316	119-3931-15	1/16W 39Kohm	R 505	119-4721-15	1/16W 4.7Kohm	R 846	119-3321-15	1/16W 3.3Kohm(E-A)
R 317	119-3931-15	1/16W 39Kohm	R 506	119-1021-15	1/16W 1Kohm	R 849	119-3621-15	1/16W 3.6Kohm(E-A)
R 320	119-5631-15	1/16W 56Kohm	R 507	119-1031-15	1/16W 10Kohm	R 849	119-3321-15	1/16W 3.3Kohm(E-C)
R 321	119-5631-15	1/16W 56Kohm	R 508	116-3301-15	1/4WS 33ohm	R 850	119-2021-15	1/16W 2Kohm(E-A)
R 322	119-4721-15	1/16W 4.7Kohm	R 509	116-4791-15	1/4WS 4.7ohm	R 850	119-1821-15	1/16W 1.8Kohm(E-C)
R 323	119-4721-15	1/16W 4.7Kohm	R 510	116-4791-15	1/4WS 4.7ohm	R 851	119-2021-15	1/16W 2Kohm(E-A)
R 324	119-4721-15	1/16W 4.7Kohm	R 511	119-1021-15	1/16W 1Kohm	R 851	119-1821-15	1/16W 1.8Kohm(E-C)
R 325	119-4721-15	1/16W 4.7Kohm	R 512	119-2231-15	1/16W 22Kohm	R 852	119-3621-15	1/16W 3.6Kohm(E-A)
R 401	119-1031-15	1/16W 10Kohm	R 513	119-1021-15	1/16W 1Kohm	R 852	119-3321-15	1/16W 3.3Kohm(E-C)
R 402	119-1031-15	1/16W 10Kohm	R 514	114-1001-21	2W 10ohm	R 853	119-1511-15	1/16W 150ohm
R 403	116-1221-15	1/4WS 1.2Kohm	R 516	119-1041-15	1/16W 100Kohm	R 854	119-1511-15	1/16W 150ohm
R 404	116-1221-15	1/4WS 1.2Kohm	R 524	116-2221-15	1/4WS 2.2Kohm	R 855	119-1511-15	1/16W 150ohm
R 405	119-1031-15	1/16W 10Kohm	R 525	116-2221-15	1/4WS 2.2Kohm	R 856	119-1511-15	1/16W 150ohm
R 406	116-1001-15	1/4WS 10ohm	R 526	119-2231-15	1/16W 22Kohm	R 857	119-1541-15	1/16W 150Kohm
R 407	116-1001-15	1/4WS 10ohm	R 527	119-1021-15	1/16W 1Kohm	R 858	119-1541-15	1/16W 150Kohm
R 408	116-1001-15	1/4WS 10ohm	R 528	119-1031-15	1/16W 10Kohm	R 859	119-1541-15	1/16W 150Kohm
R 409	116-1001-15	1/4WS 10ohm	R 550	111-3311-98	1/4WSS 330ohm	R 860	119-1541-15	1/16W 150Kohm
R 410	119-2221-15	1/16W 2.2Kohm	R 601	119-4741-15	1/16W 470Kohm	R 861	119-1541-15	1/16W 150Kohm
R 414	119-4721-15	1/16W 4.7Kohm	R 602	119-2741-15	1/16W 270Kohm	R 862	119-1541-15	1/16W 150Kohm(E-A)
R 415	119-1021-15	1/16W 1Kohm	R 605	119-1031-15	1/16W 10Kohm	R 863	119-1541-15	1/16W 150Kohm(E-A)
R 416	119-4731-15	1/16W 47Kohm	R 606	119-5611-15	1/16W 560ohm	R 864	119-1541-15	1/16W 150Kohm
R 417	119-1021-15	1/16W 1Kohm	R 611	116-1221-15	1/4WS 1.2Kohm	R 865	119-1511-15	1/16W 150ohm
R 419	119-4731-15	1/16W 47Kohm	R 612	119-4721-15	1/16W 4.7Kohm	R 866	119-1511-15	1/16W 150ohm(E-A)
R 420	119-4721-15	1/16W 4.7Kohm	R 613	116-1221-15	1/4WS 1.2Kohm	R 867	119-1511-15	1/16W 150ohm(E-A)
R 421	119-4731-15	1/16W 47Kohm	R 614	111-5691-98	1/4WSS 5.6ohm	R 868	119-1511-15	1/16W 150ohm
R 422	119-4731-15	1/16W 47Kohm	R 615	111-5691-98	1/4WSS 5.6ohm	R 869	119-2221-15	1/16W 2.2Kohm(E-A)
R 423	119-4731-15	1/16W 47Kohm	R 616	116-1531-15	1/4WS 15Kohm	R 869	119-4721-15	1/16W 4.7Kohm(E-C)
R 427	119-3311-15	1/16W 300ohm	R 617	114-2291-18	1W 2.2ohm	R 870	119-9111-15	1/16W 910ohm(E-A)
R 428	119-1031-15	1/16W 10Kohm	R 619	119-0000-05	0	R 871	119-9111-15	1/16W 910ohm(E-A)
R 429	119-1021-15	1/16W 1Kohm	R 801	119-3331-15	1/16W 33Kohm	R 872	119-2221-15	1/16W 2.2Kohm(E-A)
R 430	119-3311-15	1/16W 300ohm	R 802	119-3331-15	1/16W 33Kohm	R 872	119-4721-15	1/16W 4.7Kohm(E-C)
R 431	119-4731-15	1/16W 47Kohm	R 803	119-3331-15	1/16W 33Kohm	R 873	119-4731-15	1/16W 47Kohm
R 433	119-4731-15	1/16W 47Kohm	R 804	119-3331-15	1/16W 33Kohm	R 874	119-4731-15	1/16W 47Kohm
R 434	119-2231-15	1/16W 22Kohm	R 805	119-2731-15	1/16W 27Kohm(E-A)	R 875	119-1231-15	1/16W 12Kohm
R 436	119-2231-15	1/16W 22Kohm	R 805	119-3931-15	1/16W 39Kohm(E-C)	R 876	119-5131-15	1/16W 51Kohm(E-A)
R 437	032-0092-99	1/10W 47Kohm	R 806	119-2731-15	1/16W 27Kohm(E-A)	R 876	119-4731-15	1/16W 47Kohm(E-C)
R 438	119-2231-15	1/16W 22Kohm	R 806	119-3931-15	1/16W 39Kohm(E-C)	R 877	119-5131-15	1/16W 51Kohm(E-A)
R 440	119-4731-15	1/16W 47Kohm	R 807	119-3331-15	1/16W 33Kohm(E-A)	R 877	119-4731-15	1/16W 47Kohm(E-C)

REF No.	PART No.	DESCRIPTION	REF No.	PART No.	DESCRIPTION	REF No.	PART No.	DESCRIPTION
R 878	119-3931-15	1/16W 39Kohm	R 899	119-1031-15	1/16W 10Kohm	R 1005	119-5631-15	1/16W 56Kohm
R 879	119-7521-15	1/16W 7.5Kohm(E-A)	R 900	119-2731-15	1/16W 27Kohm	R 1006	119-1021-15	1/16W 1Kohm
R 879	119-8221-15	1/16W 8.2Kohm(E-C)	R 901	119-1831-15	1/16W 18Kohm	R 1010	119-2231-15	1/16W 22Kohm
R 880	119-7521-15	1/16W 7.5Kohm(E-A)	R 902	119-1831-15	1/16W 18Kohm	R 1015	119-4731-15	1/16W 47Kohm
R 880	119-8221-15	1/16W 8.2Kohm(E-C)	R 903	119-2731-15	1/16W 27Kohm	R 1016	119-1031-15	1/16W 10Kohm
R 881	119-1031-15	1/16W 10Kohm	R 904	119-1031-15	1/16W 10Kohm	R 1017	119-1031-15	1/16W 10Kohm
R 882	119-1031-15	1/16W 10Kohm	R 905	119-1021-15	1/16W 1Kohm	R 1018	119-5631-15	1/16W 56Kohm
R 883	119-5131-15	1/16W 51Kohm	R 906	119-1021-15	1/16W 1Kohm	R 1019	119-5631-15	1/16W 56Kohm
R 884	119-5131-15	1/16W 51Kohm	R 907	119-1021-15	1/16W 1Kohm	R 1020	119-5621-15	1/16W 5.6Kohm
R 887	119-5131-15	1/16W 51Kohm	R 908	119-1021-15	1/16W 1Kohm	R 1021	119-5621-15	1/16W 5.6Kohm
R 888	119-5131-15	1/16W 51Kohm	R 909	119-1031-15	1/16W 10Kohm	R 1022	119-3011-15	1/16W 300ohm
R 889	119-1031-15	1/16W 10Kohm	R 910	119-4721-15	1/16W 4.7Kohm	R 1024	119-0000-05	0
R 890	119-1031-15	1/16W 10Kohm	R 911	119-1031-15	1/16W 10Kohm	R 1025	119-0000-05	0
R 891	119-7521-15	1/16W 7.5Kohm(E-A)	R 912	119-4721-15	1/16W 4.7Kohm	R 1026	119-4731-15	1/16W 47Kohm
R 891	119-8221-15	1/16W 8.2Kohm(E-C)	R 913	119-2231-15	1/16W 22Kohm	R 1050	119-1031-15	1/16W 10Kohm
R 892	119-7521-15	1/16W 7.5Kohm(E-A)	R 914	119-2231-15	1/16W 22Kohm	R 1051	119-2231-15	1/16W 22Kohm
R 892	119-8221-15	1/16W 8.2Kohm(E-C)	R 915	119-2231-15	1/16W 22Kohm	R 1052	119-3321-15	1/16W 3.3Kohm
R 894	119-5131-15	1/16W 51Kohm(E-A)	R 916	119-2231-15	1/16W 22Kohm	SUP101	060-0122-91	DSP-141N-S00B
R 894	119-4731-15	1/16W 47Kohm(E-C)	R 917	032-0092-40	1/4W 390Kohm	SUP102	060-0122-91	DSP-141N-S00B
R 895	119-5131-15	1/16W 51Kohm(E-A)	R 918	032-0092-40	1/4W 390Kohm	VR 101	012-5203-63	470Kohm
R 895	119-4731-15	1/16W 47Kohm(E-C)	R 920	119-0000-05	0	VR 102	012-5203-56	10Kohm
R 896	119-1031-15	1/16W 10Kohm	R 1002	119-3011-15	1/16W 300ohm	X 102	061-1066-80	7.2MHz
R 897	119-1031-15	1/16W 10Kohm	R 1003	119-3011-15	1/16W 300ohm	X 401	060-1505-50	10MHz
R 898	119-1031-15	1/16W 10Kohm	R 1004	119-1031-15	1/16W 10Kohm			

Side PWB(B2) section : Tape mechanism

REF No.	PART No.	DESCRIPTION	REF No.	PART No.	DESCRIPTION	REF No.	PART No.	DESCRIPTION
C 1	168-5612-05	560pF	C 16	168-1032-05	0.01uF	R 8	119-3341-10	1/10W 330Kohm
C 2	168-5612-05	560pF	C 17	178-4745-79	0.47uF	R 9	119-1131-15	1/10W 11Kohm
C 3	168-5612-05	560pF	C 18	168-1042-78	0.1uF	R 10	119-1131-15	1/10W 11Kohm
C 4	168-5612-05	560pF	C 19	163-2263-30	16V 22uF	R 11	119-1531-10	1/10W 15Kohm
C 5	178-1055-79	1uF	IC 1	051-5204-00	HA12216F	R 12	119-1531-10	1/10W 15Kohm
C 6	168-1232-05	0.012uF	J 1	074-0898-10	10P	R 13	032-0140-80	1/10W 18Kohm F
C 7	168-1232-05	0.012uF	L 1	010-2198-26	0.047uH	R 14	119-1531-10	1/10W 15Kohm
C 8	168-4732-78	0.047uF	L 2	010-2198-26	0.047uH	R 15	119-1031-10	1/10W 10Kohm
C 9	168-4732-78	0.047uF	R 1	119-2731-10	1/10W 27Kohm	R 16	119-3921-10	1/10W 3.9Kohm
C 10	168-5612-05	560pF	R 2	119-2731-10	1/10W 27Kohm	R 17	119-1241-10	1/10W 120Kohm
C 11	168-5612-05	560pF	R 3	119-2731-10	1/10W 27Kohm	R 18	119-2231-10	1/10W 22Kohm
C 12	168-1042-78	0.1uF	R 4	119-2731-10	1/10W 27Kohm	VR 1	012-6014-56	10Kohm
C 13	168-1042-78	0.1uF	R 5	119-1811-10	1/10W 180ohm	VR 2	012-6014-56	10Kohm
C 14	168-1032-05	0.01uF	R 6	119-1811-10	1/10W 180ohm			
C 15	163-4753-50	35V 4.7uF	R 7	119-3341-10	1/10W 330Kohm			

Bottom PWB(B3) section : Tape mechanism

REF No.	PART No.	DESCRIPTION	REF No.	PART No.	DESCRIPTION	REF No.	PART No.	DESCRIPTION
IC 2	051-1776-00	NJL5801K	SW 1	013-3953-01	SPPB32	SW 2	013-3951-32	MODE SWITCH

Rear PWB(B4) section : Tape mechanism

REF No.	PART No.	DESCRIPTION	REF No.	PART No.	DESCRIPTION	REF No.	PART No.	DESCRIPTION
P 1	076-0368-10	10P	R 19	111-5611-91	1/4WS 560ohm	S 1	013-3906-00	SPPB51
J 2	074-1012-20	20P						

CD PWB section(B5) : CD changer mechanism

REF No.	PART No.	DESCRIPTION	REF No.	PART No.	DESCRIPTION	REF No.	PART No.	DESCRIPTION
C 2	046-1022-58	1000pF	C 16	046-2212-58	220pF	C 33	046-3322-58	3300pF
C 3	168-1042-78	16V 0.1uF	C 17	046-2212-58	220pF	C 34	168-2732-55	16V 0.027uF
C 4	042-0636-54	4V 220uF	C 18	168-1222-55	1200pF	C 35	178-2742-78	0.27uF
C 5	168-1042-78	16V 0.1uF	C 19	046-3322-58	3300pF	C 36	178-1052-78	1uF
C 6	046-1032-78	0.01uF	C 20	168-3932-78	0.039uF	C 37	168-1042-78	16V 0.1uF
C 7	168-1042-78	16V 0.1uF	C 21	168-3932-78	0.039uF	C 38	042-0472-91	16V 47uF
C 8	178-4742-78	0.47uF	C 22	042-0416-52	10V 10uF TAN	C 39	042-0636-50	6.3V100uF
C 9	178-2242-78	0.22uF	C 25	178-1052-78	1uF	C 40	045-1211-50	120pF
C 10	168-1042-78	16V 0.1uF	C 26	042-0472-91	16V 47uF	C 41	045-5601-50	56pF
C 11	168-1042-78	16V 0.1uF	C 27	178-3342-78	0.33uF	C 42	168-1042-78	16V 0.1uF
C 12	168-1042-78	16V 0.1uF	C 29	168-2732-55	16V 0.027uF	C 43	042-0636-52	4V47uF
C 13	046-2232-78	0.022uF	C 30	042-0416-58	4V 100uF	C 50	168-1042-78	16V 0.1uF
C 14	168-5612-55	560pF	C 31	042-0636-52	4V 47uF	C 51	168-1042-78	16V 0.1uF
C 15	168-1042-78	16V 0.1uF	C 32	046-1022-58	1000pF	C 60	168-5612-55	560pF

REF No.	PART No.	DESCRIPTION	REF No.	PART No.	DESCRIPTION	REF No.	PART No.	DESCRIPTION
D 1	001-0516-90	MA111	R 10	033-1011-15	1/10W 100ohm	R 32	033-5631-15	1/10W 56Kohm
IC 1	051-6365-00	MN662785TBUC	R 11	033-3911-15	1/10W 390ohm	R 33	033-6831-15	1/10W 68Kohm
IC 2	051-9318-00	MSM51V17400D-60TS-K	R 12	033-2221-15	1/10W 2.2Kohm	R 34	033-3331-15	1/10W 33Kohm
IC 2	051-9318-51	K4E160412C-FC60	R 13	033-6831-15	1/10W 68Kohm	R 35	033-6831-15	1/10W 68Kohm
IC 3	051-6060-08	BD7961FM-E2	R 14	033-5621-15	1/10W 5.6Kohm	R 38	033-3931-15	1/10W 39Kohm
IC 4	051-5711-90	AN8882SB-E1	R 15	033-1021-15	1/10W 1Kohm	R 39	033-1831-15	1/10W 18Kohm
J 1	074-1189-95	45P	R16	033-5631-15	1/10W 56kohm	R 40	117-1001-15	1/10W 10ohm
J 4	074-1138-56	6P	R 17	033-1031-15	1/10W 10Kohm	R 41	033-6821-15	1/10W 6.8Kohm
J 5	074-1201-65	15P	R 18	033-1031-15	1/10W 10Kohm	R 42	033-6821-15	1/10W 6.8Kohm
J 6	074-1059-76	26P	R 19	033-5621-15	1/10W 5.6Kohm	R 43	033-1241-15	1/10W 120Kohm
L 2	010-3050-93	10uH	R 20	033-6831-15	1/10W 68Kohm	R 44	033-6831-15	1/10W 68Kohm
Q 2	131-1188-00	2SB1188	R 21	033-5621-15	1/10W 5.6Kohm	R 45	116-4711-15	1/4W 470ohm
Q 3	131-1188-00	2SB1188	R 22	033-1031-15	1/10W 10Kohm	R 46	117-1811-15	1/4W 180ohm
R 2	033-1041-15	1/10W 100Kohm	R 23	033-1031-15	1/10W 10Kohm	R 47	116-4711-15	1/4W 470ohm
R 4	033-3311-15	1/10W 330ohm	R 24	033-4731-15	1/10W 47Kohm	R 48	033-1031-15	1/10W 10Kohm
R 5	033-1041-15	1/10W 100Kohm	R 25	033-3931-15	1/10W 39Kohm	R 49	033-1011-15	1/10W 100ohm
R 6	033-3931-15	1/10W 39Kohm	R 26	033-6831-15	1/10W 68Kohm	R 60	033-1031-15	1/10W 10Kohm
R 7	033-1041-15	1/10W 100Kohm	R 27	033-6831-15	1/10W 68Kohm	TM 1	073-0768-90	TERMMIAL
R 8	033-5611-15	1/10W 560ohm	R 28	033-1031-15	1/10W 10Kohm	X 1	060-1527-90	33.8688MHz
R 9	033-5611-15	1/10W 560ohm	R 29	033-2201-15	1/10W 22ohm			
			R 31	033-8211-15	1/10W 820ohm			

Side PWB section(B6) : CD changer mechanism

REF No.	PART No.	DESCRIPTION	REF No.	PART No.	DESCRIPTION	REF No.	PART No.	DESCRIPTION
C 101	168-1045-56	0.1uF	J 102	074-1191-22	22P	R 120	119-3941-15	1/10W 390Kohm
C 102	168-1032-55	0.01uF	L 101	010-3071-65	18uH	R 121	119-1041-15	1/10W 100Kohm
C 104	163-1073-15	6.3V 100uF	L 102	010-3407-68	33uH J	R 123	119-1041-15	1/10W 100Kohm
C 106	163-1063-35	16V 10uF	P 101	076-0478-55	PLUG	R 124	119-1041-15	1/10W 100Kohm
C 107	163-1073-15	6.3V 100uF	Q 101	125-2004-92	RN1402	R 125	119-1041-15	1/10W 100Kohm
C 108	168-1042-78	16V 0.1uF	Q 102	131-1188-50	2SB1188PQR	R 504	119-5621-15	1/10W 5.6Kohm
C 109	168-1042-78	16V 0.1uF	Q 103	193-1758-00	2SD1758TK-P,Q,R	R 505	119-1031-15	1/10W 10Kohm
C 110	168-1042-78	16V 0.1uF	Q 104	193-1758-00	2SD1758TK-P,Q,R	R 506	119-1041-15	1/10W 100Kohm
C 111	163-1073-35	16V100uF	Q 105	125-0014-92	DTA114EK	R 507	119-0000-05	1/10W 0ohm
C 112	168-2722-55	2700pF	Q 106	125-2004-92	RN1402	R 509	119-4731-15	1/10W 47Kohm
C 113	163-2263-35	16V 22uF	Q 502	190-1162-00	2SA1162	R 510	119-1031-15	1/10W 10Kohm
C 114	163-2263-35	16V 22uF	Q 503	190-1162-00	2SA1162	R 511	119-1031-15	1/10W 10Kohm
C 115	166-3311-50	330pF CH	Q 504	192-2712-00	2SC2712	R 512	050-0145-54	1/10W 47Kohmx4
C 116	166-3311-50	330pF CH	Q 505	125-2004-92	RN1402	R 513	119-1041-15	1/10W 100Kohm
C 117	166-1011-50	100pF CH	Q 506	125-0014-92	DTA114EK	R 514	119-2241-15	1/10W 220Kohm
C 118	166-1011-50	100pF CH	Q 507	125-0002-92	RN2402	R 515	119-2241-15	1/10W 220Kohm
C 119	168-2722-55	2700pF	Q 508	192-2712-00	2SC2712	R 516	119-2241-15	1/10W 220Kohm
C 120	168-1022-55	1000pF	R 101	119-4711-15	1/10W 470ohm	R 517	119-1041-15	1/10W 100Kohm
C 121	163-2263-35	16V 22uF	R 102	119-2231-15	1/10W 22Kohm	R 518	119-2241-15	1/10W 220Kohm
C 122	168-1022-55	1000pF	R 103	119-1821-15	1/10W 1.8Kohm	R 522	119-1041-15	1/10W 100Kohm
C 123	163-2263-35	16V 22uF	R 104	119-1831-15	1/10W 18Kohm	R 524	119-1041-15	1/10W 100Kohm
C 124	042-0403-55	16V 33uF	R 105	116-1211-15	1/4W 120ohm	R 526	119-4731-15	1/10W 47Kohm
C 125	042-0403-55	16V 33uF	R 106	119-1041-15	1/10W 100Kohm	R 529	119-1021-15	1/10W 1Kohm
C 501	163-1063-35	16V 10uF	R 107	119-4731-15	1/10W 47Kohm	R 531	119-1021-15	1/10W 1Kohm
C 502	168-1045-56	0.1uF	R 108	119-1031-15	1/10W 10Kohm	R 532	119-1021-15	1/10W 1Kohm
C 503	168-4735-56	0.047uF	R 109	119-1031-15	1/10W 10Kohm	R 533	119-1021-15	1/10W 1Kohm
C 504	168-1045-56	0.1uF	R 110	119-4741-15	1/10W 470Kohm	R 535	119-2231-15	1/10W 22Kohm
D 100	001-0516-90	MA111	R 111	119-4741-15	1/10W 470Kohm	R 536	119-2231-15	1/10W 22Kohm
D 103	001-0504-07	HZS4BLL	R 112	119-2731-15	1/10W 27Kohm	R 538	119-1031-15	1/10W 10Kohm
D 104	001-0516-90	MA111	R 113	119-2731-15	1/10W 27Kohm	R 539	119-5631-15	1/10W 56Kohm
D 105	001-0529-31	MA8056-L	R 114	119-2731-15	1/10W 27Kohm	R 541	119-1021-15	1/10W 1Kohm
IC 501	051-9400-28	BR93LC46F-WE2	R 115	119-2731-15	1/10W 27Kohm	R 542	119-4721-15	1/10W 4.7Kohm
IC 502	052-5047-22	M30621MCM-7F5GP	R 116	119-5611-15	1/10W 560ohm	R 543	119-1041-15	1/10W 100Kohm
IC 503	051-5418-08	S-80827ANMP-EDQ	R 117	119-5611-15	1/10W 560ohm	R 544	119-1041-15	1/10W 100Kohm
IC 504	051-1407-90	NJM4556AM	R 118	119-4731-15	1/10W 47Kohm	R 545	119-1041-15	1/10W 100Kohm
J 101	074-1189-95	45P	R 119	119-4731-15	1/10W 47Kohm	X 501	060-1505-50	10MHz

Sensor PWB section(B7) : CD changer mechanism

REF No.	PART No.	DESCRIPTION	REF No.	PART No.	DESCRIPTION	REF No.	PART No.	DESCRIPTION
PT 3	060-0252-01	PT4850F	PT 5	060-0252-01	PT4850F	S 1	013-7414-50	SPVG22
PT 4	060-0252-01	PT4850F	PT 6	060-0252-01	PT4850F			

PIM-FPC section(B8) : CD changer mechanism

REF No.	PART No.	DESCRIPTION
IC 5	051-5806-02	GPIS95

Driver PWB section(B9) : CD changer mechanism

REF No.	PART No.	DESCRIPTION	REF No.	PART No.	DESCRIPTION	REF No.	PART No.	DESCRIPTION
C 1	168-1045-56	0.1uF	J 1	074-1239-76	26P	R 3	032-0104-59	1/4W 2.2ohm
C 2	163-1073-35	16V 100uF	J 2	074-1100-59	9P	S 1	013-7412-50	SPVG21
D 1	001-0529-32	MA8056-M	R 1	033-1021-15	1/10W 1Kohm			
IC 1	051-6044-18	BA6920FP-Y	R 2	032-0104-59	1/4W 2.2ohm			

PIV-FPC section(B10) : CD changer mechanism

REF No.	PART No.	DESCRIPTION
IC 6	051-5806-01	GPIS93

LED-L-PWB section(B11) : CD changer mechanism

REF No.	PART No.	DESCRIPTION	REF No.	PART No.	DESCRIPTION
LED 3	001-7042-00	GL4800	LED 4	001-7042-00	GL4800

LED-R-PWB section(B12) : CD changer mechanism

REF No.	PART No.	DESCRIPTION	REF No.	PART No.	DESCRIPTION
LED 5	001-7042-00	GL4800	LED 6	001-7042-00	GL4800

L-Motor-FPC section(B13) : CD changer mechanism

REF No.	PART No.	DESCRIPTION
M 1	SMA-186-100	LOADING

M/S-FPC section(B14) : CD changer mechanism

REF No.	PART No.	DESCRIPTION	REF No.	PART No.	DESCRIPTION	REF No.	PART No.	DESCRIPTION
M 2	SMA-185-100	SPINDLE	M 3	SMA-184-100	SLED	S 2	013-7414-50	SPVG22