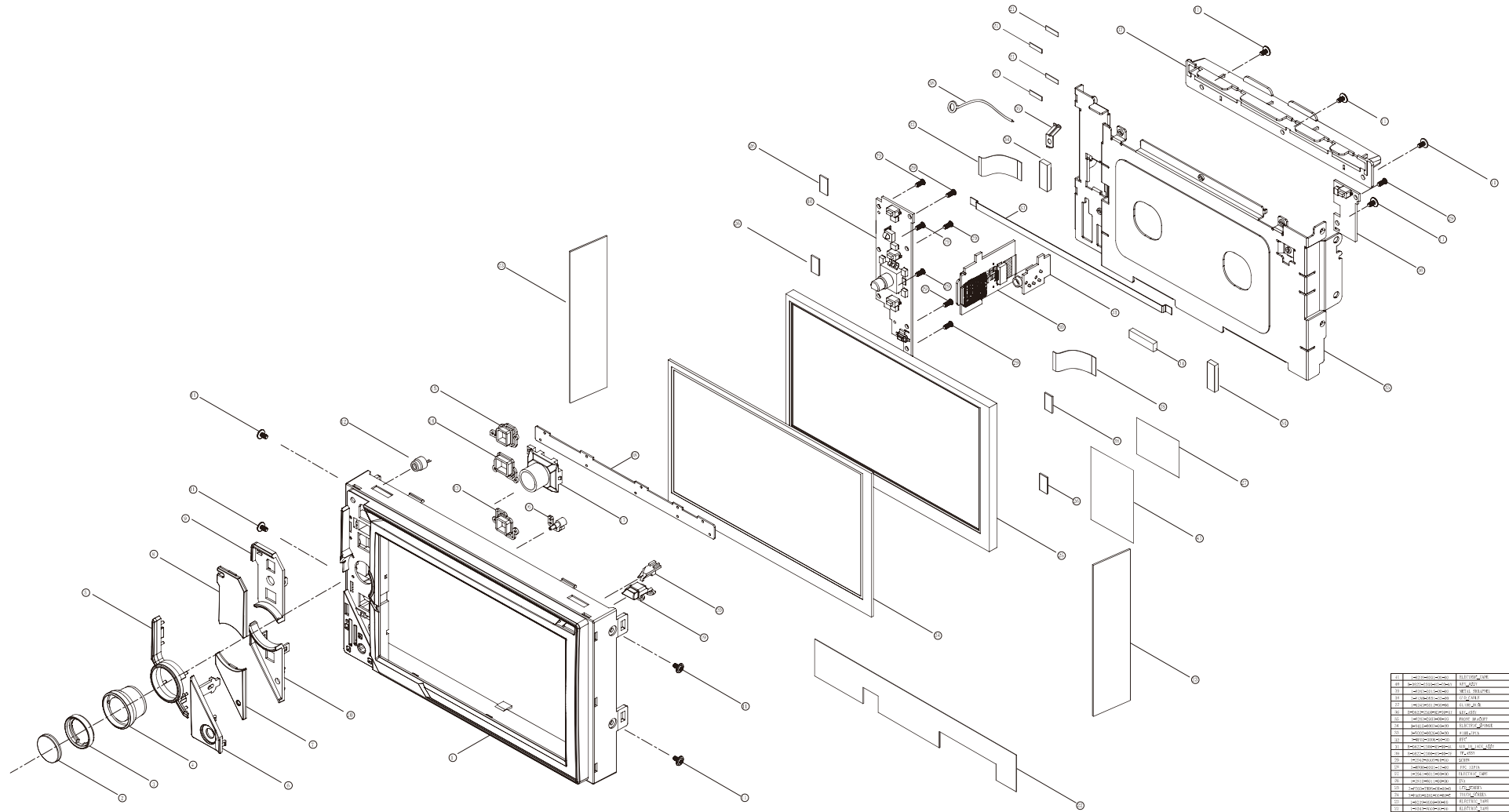
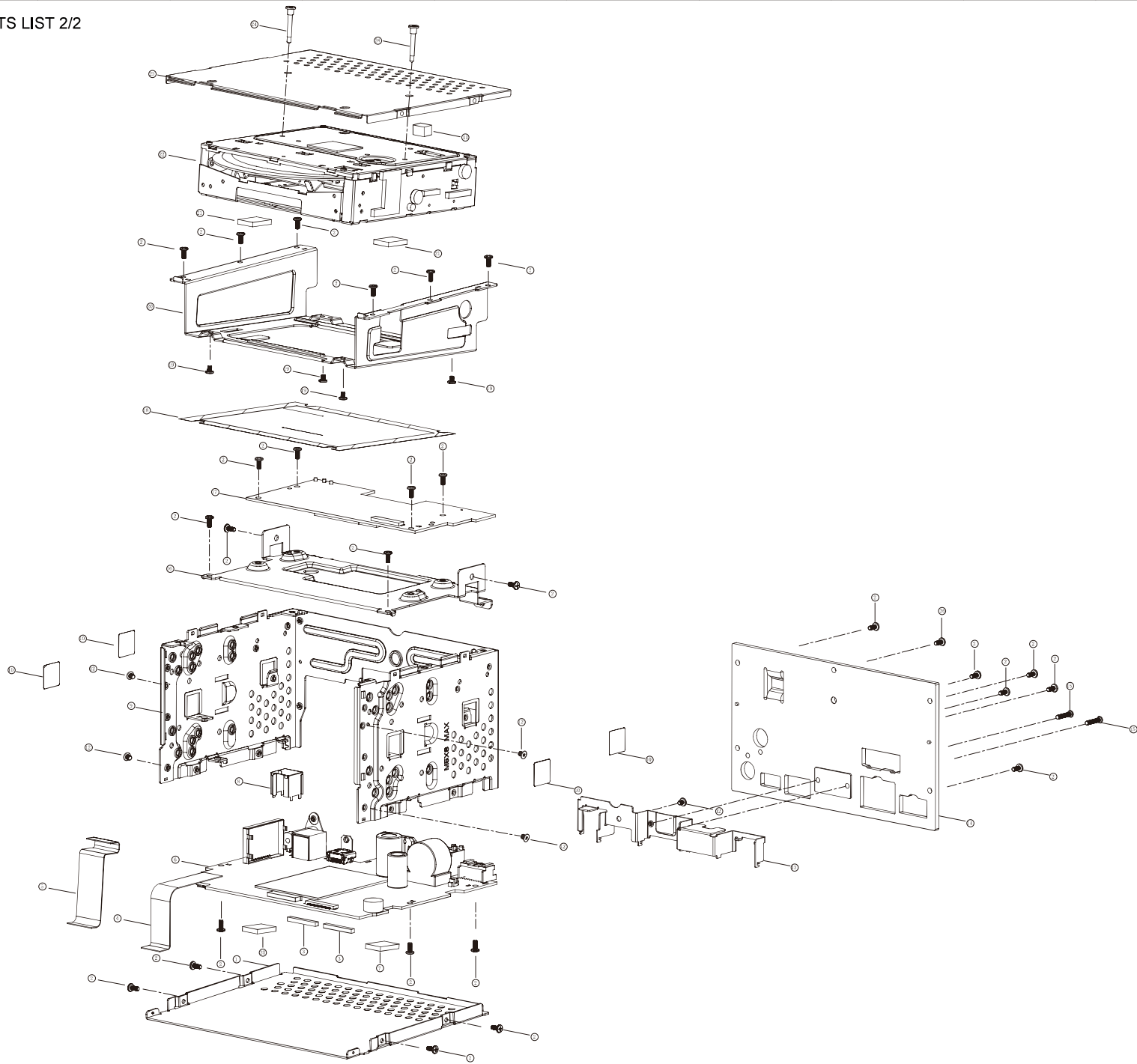


EXPLODED VIEW / PARTS LIST 1/2



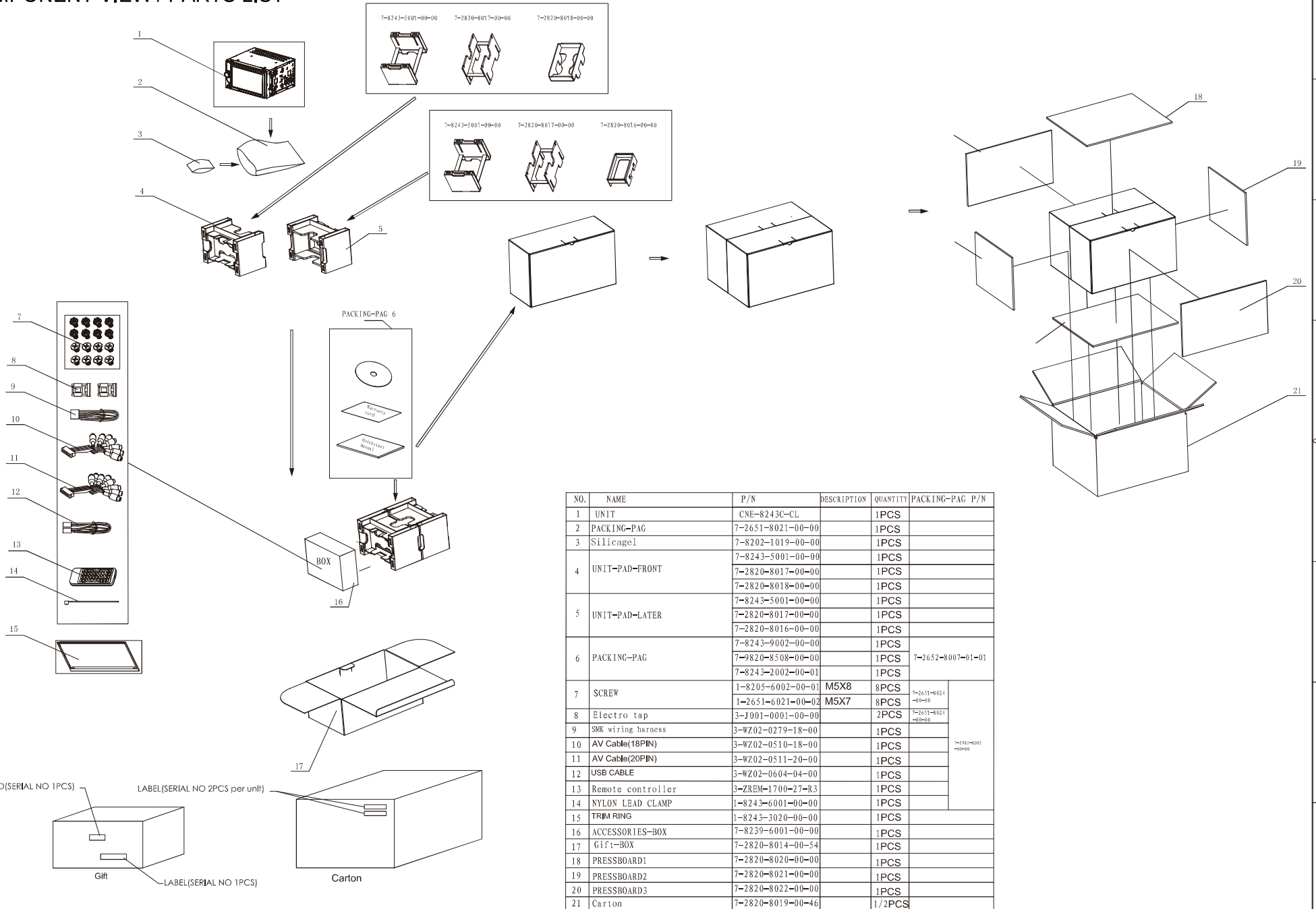
1	40000000000000000000	PLATE_001	1
2	40000000000000000000	PLATE_002	1
3	40000000000000000000	PLATE_003	1
4	40000000000000000000	PLATE_004	1
5	40000000000000000000	PLATE_005	1
6	40000000000000000000	PLATE_006	1
7	40000000000000000000	PLATE_007	1
8	40000000000000000000	PLATE_008	1
9	40000000000000000000	PLATE_009	1
10	40000000000000000000	PLATE_010	1
11	40000000000000000000	PLATE_011	1
12	40000000000000000000	PLATE_012	1
13	40000000000000000000	PLATE_013	1
14	40000000000000000000	PLATE_014	1
15	40000000000000000000	PLATE_015	1
16	40000000000000000000	PLATE_016	1
17	40000000000000000000	PLATE_017	1
18	40000000000000000000	PLATE_018	1
19	40000000000000000000	PLATE_019	1
20	40000000000000000000	PLATE_020	1
21	40000000000000000000	PLATE_021	1
22	40000000000000000000	PLATE_022	1
23	40000000000000000000	PLATE_023	1
24	40000000000000000000	PLATE_024	1
25	40000000000000000000	PLATE_025	1
26	40000000000000000000	PLATE_026	1
27	40000000000000000000	PLATE_027	1
28	40000000000000000000	PLATE_028	1
29	40000000000000000000	PLATE_029	1
30	40000000000000000000	PLATE_030	1
31	40000000000000000000	PLATE_031	1
32	40000000000000000000	PLATE_032	1
33	40000000000000000000	PLATE_033	1
34	40000000000000000000	PLATE_034	1
35	40000000000000000000	PLATE_035	1
36	40000000000000000000	PLATE_036	1
37	40000000000000000000	PLATE_037	1
38	40000000000000000000	PLATE_038	1
39	40000000000000000000	PLATE_039	1
40	40000000000000000000	PLATE_040	1
41	40000000000000000000	PLATE_041	1
42	40000000000000000000	PLATE_042	1
43	40000000000000000000	PLATE_043	1
44	40000000000000000000	PLATE_044	1
45	40000000000000000000	PLATE_045	1
46	40000000000000000000	PLATE_046	1
47	40000000000000000000	PLATE_047	1
48	40000000000000000000	PLATE_048	1
49	40000000000000000000	PLATE_049	1
50	40000000000000000000	PLATE_050	1

EXPLODED VIEW / PARTS LIST 2/2



NO.	QTY	DESCRIPTION	UNIT	REMARKS
1	1	TOP COVER	PCB	
2	1	FRONT PANEL	PCB	
3	1	MAIN BOARD	PCB	
4	1	BOTTOM COVER	PCB	
5	1	FRONT PANEL	PCB	
6	1	FRONT PANEL	PCB	
7	1	FRONT PANEL	PCB	
8	1	FRONT PANEL	PCB	
9	1	FRONT PANEL	PCB	
10	1	FRONT PANEL	PCB	
11	1	FRONT PANEL	PCB	
12	1	FRONT PANEL	PCB	
13	1	FRONT PANEL	PCB	
14	1	FRONT PANEL	PCB	
15	1	FRONT PANEL	PCB	
16	1	FRONT PANEL	PCB	
17	1	FRONT PANEL	PCB	
18	1	FRONT PANEL	PCB	
19	1	FRONT PANEL	PCB	
20	1	FRONT PANEL	PCB	

# COMPONENT VIEW / PARTS LIST



NO.	NAME	P/N	DESCRIPTION	QUANTITY	PACKING-PAG P/N
1	UNIT	CNE-8243C-CL		1PCS	
2	PACKING-PAG	7-2651-8021-00-00		1PCS	
3	Silicagel	7-8202-1019-00-00		1PCS	
4	UNIT-PAD-FRONT	7-8243-5001-00-00		1PCS	
		7-2820-8017-00-00		1PCS	
		7-2820-8018-00-00		1PCS	
5	UNIT-PAD-LATER	7-8243-5001-00-00		1PCS	
		7-2820-8017-00-00		1PCS	
		7-2820-8016-00-00		1PCS	
6	PACKING-PAG	7-8243-9002-00-00		1PCS	
		7-9820-8508-00-00		1PCS	7-2652-8007-01-01
		7-8243-2002-00-01		1PCS	
7	SCREW	1-8205-6002-00-01	M5X8	8PCS	
		1-2651-6021-00-02	M5X7	8PCS	
8	Electro tap	3-J001-0001-00-00		2PCS	
9	SMK wiring harness	3-WZ02-0279-18-00		1PCS	
10	AV Cable(18PIN)	3-WZ02-0510-18-00		1PCS	
11	AV Cable(20PIN)	3-WZ02-0511-20-00		1PCS	
12	USB CABLE	3-WZ02-0604-04-00		1PCS	
13	Remote controller	3-ZREM-1700-27-R3		1PCS	
14	NYLON LEAD CLAMP	1-8243-6001-00-00		1PCS	
15	TRIM RING	1-8243-3020-00-00		1PCS	
16	ACCESSORIES-BOX	7-8239-6001-00-00		1PCS	
17	Gift-BOX	7-2820-8014-00-54		1PCS	
18	PRESSBOARD1	7-2820-8020-00-00		1PCS	
19	PRESSBOARD2	7-2820-8021-00-00		1PCS	
20	PRESSBOARD3	7-2820-8022-00-00		1PCS	
21	Carton	7-2820-8019-00-46		1/2PCS	

## ELECTRICAL PART LISTS

MAIN BOARD PART LISTS				
NO.	Part Number	Part information	Number	Reference Mark
1	3-B345-2301-R3-01	C9S1_CNE-8243-CL_Main_FR-4_1.6mm_181.8mm*142.6mm_V03	1.00	
2	3-U002-4C02-AF-9S	AT24C02A_SOP8_ATMEL	1.00	IC15
3	3-U4HC-4052-PW-BS	74HC4052PW_TSSOP16_PHILIPS	2.00	IC8 IC44
4	3-UADV-7611-00-X0-A	IC_ADV7611_Low Power 165 MHz HDMI Receiver LQFP64	1.00	U12
5	3-UNJM-4558-00-9S	NJM4558_SOP8_JRC	2.00	U14 U17
6	3-U0BA-3121-F0-9S	BA3121F-E2_SOP8_ROHM	2.00	IC6 IC9
7	3-CC35-0103-4X-0S	Capacitance_0603_10nF_16V_X7R_±10%	41.00	C210 C230 C232 C235 C237 C241 C244 C245 C247 C249 C255 C256 C258 C13 C14 C31 C64 C68 C139 C185 C186 C193 C194 C225 C239 C240 C252 C339 C340 C341 C342 C466 C94 C8 C154 C164 C206 C264 C476 C251 C268
8	3-CC37-0104-4X-0S	Capacitance_0603_0.1uF_25V_X7R_±10%	53.00	C11 C15 C18 C28 C46 C48 C51 C52 C69 C104 C106 C132 C136 C160 C163 C169 C179 C188 C189 C196 C204 C218 C221 C226 C332 C443 C445 C475 C285 C3 C114 C116 C117 C118 C128 C71 C74 C182 C211 C212 C233 C234 C238 C242 C243 C246 C248 C250 C253 C254 C257 C229 C267
9	3-CC39-0104-4X-0S	Capacitance_0603_0.1uF_50V_X7R_±10%	8.00	C231 C344 C352 C423 C437 C438 C440 C80
10	3-CC35-0224-4X-0S	Capacitance_0603_0.22uF_16V_X7R_±10%	5.00	C42 C85 C87 C90 C91
11	3-CC35-0474-4X-0S	Capacitance_0603_0.47uF_16V_X7R_±10%	1.00	C17
12	3-CC35-0100-30-0S	Capacitance_0603_10pF_16V_NPO_±5%	1.00	C55
13	3-RS31-0000-J0-0S	Resistance_0603_0Ω 1/16W ±5%	40.00	C122 C125 C126 C167 C192 FB2 FB29 FB4 L1 L14 R113 R122 R129 R130 R131 R134 R136 R137 R153 R177 R189 R202 R206 R230 R236 R242 R243 R250 R344 R345 R347 R360 R37 R398 R4 R431 R549 R659 R88 R89
14	3-CC37-0122-4X-0S	Capacitance_0603_1.2nF_25V_X7R_±10%	2.00	C348 C370
15	3-CC35-0101-30-0S	Capacitance_0603_100pF_16V_NPO_±5%	7.00	C35 C60 C480 C482 C205 C119 C120
16	3-CC35-0101-30-0S-2	Capacitance_0603_100pF_50V_NPO_±5%	1.00	C97
17	3-CC39-0103-4X-0S-1	Capacitance_0603_10nF_50V_X7R_±10% GRM188R71H103K	2.00	C45 C489
18	3-CC43-0106-4R-0S	Capacitance_0805_10uF_10V_X5R_±10%	12.00	C53 C56 C76 C135 C143 C153 C224 C441 C461 C200 C83 TC15

19	3-CC55-0106-4R-0S	Capacitance_1206_10uF_16V_X5R -10%~+10%	12.00	C19 C65 C67 C86 C107 C219 C411 C436 C178 C180 C181 C93
20	3-CC59-0105-4X-0S	Capacitance_low ESR_1206_1uF_50V_X7R ±10%	4.00	C490 C462 C464 C467
21	3-CC67-0106-4R-0S	1210_10uF_25V_±10%_X7R_GRM 32DR71E106K	2.00	C491 C469
22	3-CC42-0106-44-0S	Capacitance_0805_10uF_6.3V_X5R ±10%	2.00	C173 C79
23	3-CC35-0103-4X-0S-2	Capacitance_0603_10nF_50V_X7R ±10%	1.00	C102
24	3-CC45-0106-4R-0S	Capacitance_10UF_0805_X5R 16V ±10%	3.00	C10 C162 C265
25	3-CC52-0226-44-0S	Capacitance_1206_22uF_6.3V_X5R ±10%	1.00	C228
26	3-CC35-0121-30-0S	Capacitance_0603_120pF_16V_NPO ±5%	2.00	C103 C127
27	3-CC35-0151-30-0S	Capacitance_0603_150pF_16V_NPO ±5%	1.00	C26
28	3-CC35-0150-30-0S	Capacitance_0603_15pF_16V_NPO ±5%	3.00	C57 C98 C111
29	3-CC35-0180-80-0S	Capacitance_0603_18pF_50V_NPO ±5%	2.00	C150 C151
30	3-CC35-0102-30-0S	Capacitance_0603_1n_16V_NPO ±5%	1.00	C388
31	3-CC35-0105-4X-1S	Capacitance_0603_1uF_16V_X7R ±10%	52.00	C5 C9 C20 C21 C47 C72 C73 C75 C92 C100 C108 C113 C140 C161 C175 C195 C259 C260 C284 C286 C295 C442 C444 C446 C448 C449 C450 C451 C452 C453 C454 C455 C456 C457 C458 C459 C460 C463 C485 C227 C82 C141 C142 C6 C59 C66 C123 C133 C190 C152 C165 C170
32	3-CC37-0105-4X-1S	Capacitance_0603_1uF_25V_X7R ±10%_TAIYOU	36.00	C7 C12 C29 C30 C32 C34 C36 C37 C38 C39 C41 C43 C156 C110 C137 C138 C144 C168 C198 C214 C215 C216 C217 C338 C415 C468 C49 C62 C109 C261 C166 C191 C207 C208 C477 C479
33	3-CC47-0105-4X-1S	Capacitance_0805_1uF_25V_X7R ±10%	2.00	C149 C157
34	3-CC39-0016-34-6S	Capacitance_SA-170-Z_0603_1nF_50V_C0G_±5%_GRM 1885C1H102JA01D	4.00	C351 C410 C439 C470
35	3-CC59-0105-4X-0S-2	Capacitance_1206_1uF_50V_X7R ±10%	1.00	C61
36	3-CC47-0225-4R-0S	Capacitance_0805_2.2uF_25V_X5R ±10%	1.00	C124
37	3-CC45-02U2-4X-0S	Capacitance_0805_2.2UF_16V_X7R ±10%	1.00	C465
38	3-CC57-0225-4X-0S	Capacitance_1206_2.2uF_25V_X7R ±10% TDK	3.00	C478 C347 C369
39	3-CC32-0225-4X-0S	Capacitance_0603_2.2uF_6.3V_X5R ±10%	4.00	C58 C78 C81 C89
40	3-CC37-0392-4X-0S	Capacitance_0603_3.9nF_25V_X7R ±10%	2.00	C349 C408

41	3-CC35-0220-80-0S	Capacitance_0603_22pF_50V_N PO $\pm 5\%$	2.00	C88 C101
42	3-CC65-0226-4R-0S	Capacitance_1210_22uF_16V_ X5R $\pm 10\%$	1.00	C115
43	3-CC67-0226-4R-0S	Capacitance_1210_22uF_25V_ X5R $\pm 10\%$	3.00	C487 C488 C159
44	3-CC35-0331-30-0S	Capacitance_0603_330pF_16V_ NPO $\pm 5\%$	3.00	C350 C409 C16
45	3-RS31-330R-F0-0S	Capacitance_0603_330_1/16W $\pm 1\%$	1.00	C24
46	3-CC35-0330-30-0S	Capacitance_0603_33pF_16V_N PO $\pm 5\%$	8.00	C155 C158 C176 C183 C84 C236 C269 C270
47	3-CC43-0475-4X-0S	Capacitance_0805_4.7uF_10V_ X7R $\pm 10\%$ TDK	1.00	C105
48	3-CC45-0475-4R-0S	Capacitance_0805_4.7uF_16V_ X5R $\pm 10\%$	2.00	C22 C63
49	3-CC59-0475-4X-0S	Capacitance_1206_4.7uF_50V_ X7R $\pm 10\%$	4.00	C345 C346 C353 C363
50	3-CC32-0475-44-0S	Capacitance_0603_4.7uF_6.3V X5R $\pm 10\%$	1.00	C99
51	3-CC35-0471-30-0S	Capacitance_0603_470pF_16V_ NPO $\pm 5\%$	1.00	C486
52	3-CC33-0474-4X-0S	Capacitance_0603_0.47uF_10V X7R $\pm 10\%$	1.00	C77
53	3-CC35-05P6-30-0S	Capacitance_0603_5.6PF_16V_ NPO $\pm 0.5PF$	2.00	C25 C27
54	3-CC35-0822-4X-0S	Capacitance_0603_8n2_16V_X7 R $\pm 10\%$	2.00	C171 C172
55	3-L2X9-010U-M0-0S	Inductance_14B6045E_10UH $\pm$ 20% 3A ROHS	1.00	L32
56	3-L2S0-022U-M0-7S	Inductance_SANWA_18B1278L- 220MT01_22UH $\pm 20\%$	2.00	L26 L30
57	3-JF20-00R5-04-3R	Connector_0.5mm_20PIN_ROHS_ IRISO	1.00	CON10
58	3-J102-0125-07-30-C	Connector_2PIN_1.25mm_SMT	1.00	CON03
59	3-JF40-00R5-02-30-H	Connector_40PIN_0.5mm_SMT HF601-40-02	1.00	CON3
60	3-J104-0125-08-30-C	Connector_4PIN_1.25mm_SMT	1.00	CON16
61	3-JF04-0010-04-30	Connector_FFC_4PIN_1.0mm	1.00	CON1
62	3-JF50-00R5-02-31-H	Connector_FPC_50PIN_0.5mm_ SMT HF601-50-02	1.00	CON12
63	3-JF07-00R5-02-30	Connector_7PIN_0.5mm_SMT	1.00	CON21
64	3-J100-SM02-B0-30	Connector_2PIN_BHD3.5_SMT	1.00	CON17
65	B-S822-2278-R1-U0	CES-8243B-CL_A6_SMT_3- B364-2278-R1-02	1.00	U16
66	3-U0CS-4344-CZ-XS	CS4344_TSSOP10_DAC_IC_CIRRU S LOGIC	1.00	IC10
67	3-UCSR-8311-08-0S	BT_CSR8311A08-IQQD-R QFN40	1.00	U6
68	3-DTVS-SM8S-22-0S	TVS_SM8S22A_22V_35.5V_DO- 218AB	1.00	D11
69	3-DRB0-4004-00-0S	1N4004 IA SOD-106	6.00	D1 D29 D30 D32 D36 D61
70	3-DKA0-4148-00-0S	1N4148WS_200mA_200mW_SOD- 323	22.00	D10 D12 D13 D14 D16 D19 D2 D21 D24 D31 D33 D35 D37 D38 D39 D4 D40 D41 D5 D7 D8 D9
71	3-DSX0-SK34-00-0S	SK34_3A_SMA-L	3.00	D15 D27 D28

72	3-CES5-0107-52-0S	Capacitance_6.3X5.3_100uF_16V_105°C_±20%	3.00	TC4 TC20 TC26
73	3-CES7-0107-52-0S	Capacitance_6.3X7.7_100uF_25V_105°C_±20%	1.00	TC8
74	3-CES5-0106-52-0S	Capacitance_4X5.3_10uF_16V_105°C_±20%	5.00	TC1 TC14 TC23 TC27 TC30
75	3-CES7-0106-52-MS	Capacitance_4X5.3_10uF_25V_105°C_±20%	1.00	TC10
76	3-CES5-0227-52-0S	Capacitance_6.3*7.7_220uF_16V_105°C_±20%	5.00	TC2 TC3 TC5 TC9 TC70
77	3-CES2-0227-52-0S	Capacitance_6.3X5.3_220uF_6.3V_105°C_±20%	1.00	TC21
78	3-CES5-0476-52-0S	Capacitance_5X5.3_47uF_16V_105°C_±20%	4.00	TC6 TC22 TC24 TC28
79	3-DHXX-1018-10-0S-7	ESD_0603_18V_10PF_(ICVL1018 100Y500FR)	14.00	E1 E2 E3 E4 E5 E9 ESD37 U20 U22 U29 U30 U32 U33 U34
80	3-DHXX-A104-02-0S	ESD_EGA10402V05AH_5V_0402_0.2pf_fbetter	12.00	ESD14 ESD15 ESD16 ESD17 ESD18 ESD19 ESD20 ESD21 ESD22 ESD23 ESD24 ESD25
81	3-ES30-06V0-00-0S	ESD_Suppressor_0603_5~6V_0.15PF	13.00	ESD13 ESD2 ESD26 ESD27 ESD28 ESD44 ESD45 ESD46 ESD56 ESD60 ESD61 U3 U8
82	3-LA2X-600R-X0-0S	BLM15HG601SN1D_0402_300MA_600Ω_±25%	27.00	FB31 FB33 FB34 FB35 FB36 FB38 FB39 FB40 FB41 FB42 FB43 FB44 FB45 FB46 FB47 FB48 FB49 FB50 FB51 FB52 FB53 FB54 FB55 FB56 FB57 FB58 FB59
83	3-LA5X-121R-W0-0S	0805_120R_≤2000mA_±25%	1.00	FB3
84	3-LA30-182R-00-1S	0603_1800Ω_≤50mA_±25%	1.00	FB37
85	3-LA30-601R-G0-0S	0603_600Ω_≤100mA_±25%	2.00	FB1 L7
86	3-UFMS-6502-00-BS	FMS6502_TSSOP-24_FAIRCHILD	1.00	IC45
87	3-JF12-00R5-04-20	Connector_12PIN_0.5mm_SMT	1.00	CON7
88	3-RS63-0000-F0-0S	Resistance_1206_0Ω_1/8W_±1%	9.00	FU FU9 R187 R197 R289 R291 R292 R293 R484
89	3-F301-D1A1-01-00	Fuse_1812_1.1A_33V_PPTC	4.00	FU1 FU7 FU8 FU2
90	3-F302-D1A1-01-00	Fuse_1812_1.1A_8V_PPTC	1.00	FU5
91	3-J219-00R5-07-X0	HDMI_connector_A_19PIN_0.5mm	1.00	U11
92	K-UMFI-2162-00-01	CLASS4_PHONE_W/USB_AUDIO_2.0B_MFI34TS2162	1.00	IC1
93	3-QIRF-7205-PM-6S	IRF7205_SO-8_P	1.00	IC31
94	3-QIRL-6402-PM-6S	IRLML6402_MICRO3_P	6.00	Q5 Q13 Q15 Q30 Q33 Q43
95	3-U814-2LAB-3D-0S	IC_UTC_8142L-AB3-D-R_SOT-89(PIN:IN-GND-OUT) 4V2	1.00	U2
96	3-Q0KR-C402-0N-6S	Transistors_KRC402 USM NPN	11.00	Q12 Q17 Q20 Q27 Q28 Q31 Q36 Q37 Q42 Q71 Q72
97	3-LA5X-601R-G0-0S	0805_600R_≤300mA_±25%	10.00	L8 L10 L11 L13 L19 L20 L21 L23 L25 L29
98	3-L8S0-0100-NX-00	Inductance_INDUCTOR_CDH4B28_10uH_2000PPM_°C_30%	2.00	L35 L37
99	3-L4S0-0220-3B-16	Inductance_POWER_IND_CDH3B1_6_22uH_0.4R_0.4A	2.00	L12 L27
100	3-LA6X-060R-00-0S	1206_60R_≤1000mA_±25%	4.00	L3 L5 L6 L38
101	3-U0LD-1117-33-0S	LDO_LD1117_3.3V_SOT-223_	1.00	IC7

102	3-U0LD-1117-18-0S	LDO_REGULATOR_LD1117_1.8V_S OT-223	1.00	IC14
103	3-U0LD-1117-33-XS	LDO_LD1117_A_3.3V_TO-252	1.00	IC59
104	3-ULFB-212G-45-0S	WIFI/BT_LFB212G45CG2D013 0805 Murata	1.00	U7
105	3-UNJM-2794-00-9S	NJM2794_SSOP14_IC_JRC	1.00	IC12
106	3-UNJW-1222-00-AS	NJW1222_SSOP32_IC_JRC	1.00	IC80
107	3-RN21-001K-J0-0S	Resistance_0402_1K*4_1/16W ±5%	7.00	NR1 NR2 NR3 NR4 NR6 NR7 NR9
108	3-RN21-022R-J0-0S	Resistance_0402_22R*4_1/16W ±5%	2.00	NR10 NR11
109	3-RS21-D4K7-J0-00	Resistance_0402_4.7K*4_1/16 W ±5%	2.00	NR5 NR8
110	3-RS31-100R-J0-0S	Resistance_0603_100Ω _1/16W_±5%	43.00	R23 R84 R115 R151 R27 R53 R54 R86 R87 R93 R96 R102 R103 R104 R105 R106 R107 R108 R132 R147 R194 R227 R233 R234 R258 R261 R264 R326 R327 R332 R334 R335 R409 R412 R413 R414 R497 R776 R777 R154 R182 R183 R184
111	3-RS31-001K-J0-0S	Resistance_0603_1K_1/16W_± 5%	51.00	R40 R78 R158 R159 R160 R162 R168 R203 R204 R231 R265 R279 R280 R281 R381 R382 R362 R180 R5 R12 R14 R57 R61 R62 R71 R80 R81 R101 R111 R112 R117 R124 R142 R169 R175 R178 R179 R200 R221 R224 R229 R240 R273 R274 R295 R376 R462 R495 R546 R558 R380
112	3-RSA5-0R02-F0-0S	Resistance_2010_0.02Ω 1/2W ±1%	2.00	R127 R269
113	3-RS31-100K-J0-0S	Resistance_0603_100K_1/16W_ ±5%	20.00	R119 R143 R17 R18 R212 R22 R267 R30 R31 R32 R417 R435 R442 R46 R481 R561 R563 R6 R696 R782
114	3-RS63-100K-F0-0S	Resistance_1206_100K_1/8W_ ±1%	1.00	R506
115	3-RS31-100K-F0-0S	Resistance_0603_100K_1/16W ±1%	4.00	R120 R138 R148 R149
116	3-RS31-010K-J0-0S	Resistance_0603_10K_1/16W_ ±5%	39.00	R2 R48 R60 R63 R64 R65 R66 R67 R75 R76 R85 R92 R98 R100 R114 R135 R141 R155 R251 R262 R268 R275 R276 R301 R329 R330 R336 R337 R338 R384 R399 R447 R498 R505 R755 R783 R784 R15 R157
117	3-RS31-010K-F0-0S	Resistance 0603 10K 1/16W ±1%	9.00	R190 R192 R45 R79 R181 R214 R550 R217 R407
118	3-RS63-010K-J0-0S	Resistance1206 10K 1/8W +5%	1.00	R20
119	3-RS31-010R-J0-0S	Resistance 0603 10Ω 1/16W ±5%	8.00	R126 R216 R246 R288 R415 R554 R559 R191
120	3-RS31-113R-F0-0S	Resistance 0603 113Ω 1/16W ±1%	2.00	R502 R536
121	3-RS31-130K-F0-0S	Resistance 0603 130K 1/16W ±1%	1.00	R416

122	3-RS31-130R-F0-0S	Resistance 0603 130 $\Omega$ 1/16W $\pm 1\%$	2.00	R503 R537
123	3-RS31-013K-F0-0S	Resistance 0603 13K 1/16W $\pm 1\%$	1.00	R164
124	3-RS31-015K-F0-0S	Resistance 0603 15K 1/16W $\pm 1\%$	1.00	R544
125	3-RS31-015K-J0-0S	Resistance 0603 15K 1/16W $\pm 5\%$	1.00	R161
126	3-RS31-016K-F0-0S	Resistance 0603 16K 1/16W $\pm 1\%$	1.00	R566
127	3-RS31-180K-J0-0S	Resistance 0603 180K 1/16W $\pm 5\%$	2.00	R125 R304
128	3-RS31-018K-F0-0S	Resistance 0603 18K 1/16W $\pm 1\%$	2.00	R44 R379
129	3-RS31-001K-F0-0S	Resistance 0603 1K 1/16W $\pm 1\%$	2.00	R492 R522
130	3-RS21-001K-F0-0S	Resistance 0402 1K 1/16W $\pm 1\%$	1.00	R589
131	3-RS63-001K-J0-0S	Resistance 1206 1K 1/8W $\pm 5\%$	1.00	R311
132	3-RS31-01K8-F0-0S	Resistance 0603 1K8 1/16W $\pm 1\%$	2.00	R50 R226
133	3-RS31-001M-J0-0S	Resistance 0603 1M 1/16W $\pm 5\%$	3.00	R439 R444 R445
134	3-RS63-1000-F0-0S	Resistance_1206_1 $\Omega$ 1/8W $\pm 1\%$	2.00	R552 R553
135	3-RS31-200R-F0-0S	Resistance 0603 200 $\Omega$ 1/16W $\pm 1\%$	2.00	R504 R538
136	3-RS31-020K-J0-0S	Resistance 0603 20K 1/16W $\pm 5\%$	9.00	R16 R34 R35 R55 R56 R260 R263 R420 R448
137	3-RS31-020K-F0-0S	Resistance 0603 20K 1/16W $\pm 1\%$	1.00	R163
138	3-RS31-220R-J0-0S	Resistance 0603 220 $\Omega$ 1/16W $\pm 5\%$	2.00	R47 R455
139	3-RS31-022K-F0-0S	Resistance 0603 22K 1/16W $\pm 1\%$	3.00	R3 R225 R547
140	3-RS31-022R-J0-0S	Resistance 0603 22 $\Omega$ 1/16W $\pm 5\%$	1.00	R331
141	3-RS31-024K-J0-0S	Resistance 0603 24K 1/16W $\pm 5\%$	1.00	R24
142	3-RS31-270K-F0-0S	Resistance 0603 270K 1/16W $\pm 1\%$	1.00	R432
143	3-RS31-027K-F0-0S	Resistance 0603 27K 1/16W $\pm 1\%$	4.00	R252 R359 R367 R290
144	3-RS31-002K-J0-0S	Resistance 0603 2K 1/16W $\pm 5\%$	2.00	R58 R74
145	3-RS31-002K-F0-0S	Resistance 0603 2K 1/16W $\pm 1\%$	1.00	R28
146	3-RS31-02K2-J0-0S	Resistance 0603 2K2 1/16W $\pm 5\%$	1.00	R253
147	3-RS63-002R-J0-0S	Resistance 1206 2 $\Omega$ 1/8W $\pm 5\%$	1.00	R496
148	3-RS53-02R2-J0-0S	Resistance 0805 2.2 $\Omega$ 1/8W $\pm 5\%$	2.00	R328 R333
149	3-RS31-300K-F0-0S	Resistance 0603 300K 1/16W $\pm 1\%$	1.00	R430

150	3-RS31-300R-F0-0S	Resistance 0603 300 $\Omega$ 1/16W $\pm 1\%$	2.00	R501 R530
151	3-RS31-030K-J0-0S	Resistance 0603 30K 1/16W $\pm 5\%$	10.00	R21 R297 R299 R300 R307 R308 R77 R90 R110 R116
152	3-RS31-030K-F0-0S	Resistance 0603 30K 1/16W $\pm 1\%$	1.00	R358
153	3-RS52-330R-J0-0S	Resistance 0805 330 $\Omega$ 1/10W $\pm 5\%$	1.00	R13
154	3-RS31-033K-J0-0S	Resistance 0603 33K 1/16W $\pm 5\%$	2.00	R370 R371
155	3-RS31-033R-J0-0S	Resistance 0603 33 $\Omega$ 1/16W $\pm 5\%$	2.00	R285 R286
156	3-RS31-033R-F0-0S	Resistance 0603 33 $\Omega$ 1/16W $\pm 1\%$	4.00	R528 R529 R213 R215
157	3-RS31-036K-F0-0S	Resistance 0603 36K 1/16W $\pm 1\%$	1.00	R433
158	3-RS31-039K-F0-0S	Resistance 0603 39K 1/16W $\pm 1\%$	4.00	R193 R256 R389 R176
159	3-RS31-039R-J0-0S	Resistance 0603 39 $\Omega$ 1/16W $\pm 5\%$	2.00	R539 R540
160	3-RS31-03K3-F0-0S	Resistance 0603 3K3 1/16W $\pm 1\%$	2.00	R372 R383
161	3-RS31-03K9-J0-0S	Resistance 0603 3K9 1/16W $\pm 5\%$	4.00	R39 R118 R210 R560
162	3-RS31-470K-J0-0S	Resistance 0603 470K 1/16W $\pm 5\%$	1.00	R220
163	3-RS31-470R-J0-0S	Resistance 0603 470 $\Omega$ 1/16W $\pm 5\%$	4.00	R19 R298 R310 R446
164	3-RS31-470R-F0-0S	Resistance 0603 470 $\Omega$ 1/16W $\pm 1\%$	4.00	R156 R499 R527 R545
165	3-RS31-047K-F0-0S	Resistance 0603 47K 1/16W $\pm 1\%$	2.00	R109 R218
166	3-RS31-047K-J0-0S	Resistance 0603 47K 1/16W $\pm 5\%$	3.00	R248 R254 R426
167	3-RS31-0470-F0-00	Resistance 0603 47 $\Omega$ 1/16W $\pm 1\%$	2.00	R491 R521
168	3-RS31-04K7-J0-0S	Resistance 0603 4K7 1/16W $\pm 5\%$	18.00	R121 R128 R171 R241 R305 R321 R322 R323 R350 R353 R456 R457 R458 R459 R460 R463 R49 R562
169	3-RS63-04K7-J0-0S	Resistance 1206 4K7 1/8W $\pm 5\%$	1.00	R283
170	3-RS53-04R7-F0-0S	Resistance 0805 4.7 $\Omega$ 1/8W $\pm 1\%$	4.00	R26 R29 R91 R94
171	3-RS21-051R-F0-00	Resistance 0402 51R $\pm 1\%$ 1/16W	1.00	R351
172	3-RS31-051R-J0-0S	Resistance 0603 51 $\Omega$ 1/16W $\pm 5\%$	2.00	R174 R271
173	3-RS31-560K-F0-0S	Resistance 0603 560K 1/16W $\pm 1\%$	1.00	R543
174	3-RS31-680R-F0-0S	Resistance 0603 680 $\Omega$ 1/16W $\pm 1\%$	2.00	C70 C266
175	3-RS31-06K2-J0-0S	Resistance 0603 6K2 1/16W $\pm 5\%$	2.00	R255 R259
176	3-RS31-075K-F0-0S	Resistance 0603 75K 1/16W $\pm 1\%$	3.00	R418 R33 R272

177	3-RS31-075R-F0-0S	Resistance 0603 75Ω 1/16W ±1%	12.00	R7 R8 R9 R10 R11 R52 R207 R208 R209 R494 R524 R173
178	3-RS31-075R-J0-0S	Resistance 0603 75Ω 1/16W ±5%	4.00	R368 R355 R356 R585
179	3-RS31-07K5-F0-0S	Resistance 0603 7K5 1/16W ±1%	1.00	R548
180	3-RS31-082K-F0-0S	Resistance 0603 82K 1/16W ±1%	2.00	R388 R390
181	3-RS31-091R-J0-0S	Resistance 0603 91Ω 1/16W ±5%	2.00	R493 R523
182	3-U0RT-9179-PB-XS	LDO_RT9179GB_300mA/ADJ_SOT2 3-5 Richtek	1.00	U5
183	3-URT9-293B-GJ-06	IC_RT9293BGJ6_TSOT-23- 6 1MHz_RICHTEK	2.00	IC3 IC4
184	3-DTVS-24DL-CB-0S	TVS_SOD-323_WS24DLC-B_24V	1.00	ESD4
185	3-DT10-SES0-T0-00-E	TVS_(SESOT05C)_SOT-23_ 6~7V 220PF	4.00	ZD22 ZD23 ZD26 ZD27
186	3-JF60-00R5-02-30-H	Connector_FPC_60PIN_0.5mm	1.00	CON6
187	3-QOSP-8K33-NM-XS	ROHM_SP8K33_SOP8	2.00	Q7 Q8
188	3-L23X-02U2-K0-0S	Inductance_0603_2.2uH_≤ 75mA ±10%	1.00	L4
189	3-UMUT-MH23-00-XS	Mute_Dual digital transistor IMH23 ROHM	4.00	Q34 Q35 Q38 Q39
190	3-DD10-BAV9-00-0S	Diode_BAV99LT1_2.5uA_225mW_ SOT-23	2.00	ZD18 ZD19
191	3-USTM-8S20-7M-XS	MCU_STM8S207MBT6B	1.00	IC61
192	3-U0TL-431A-00-0S-7	TL431_SOT-23_LRC	2.00	ZR1 ZR2
193	3-UTPS-4333-Q1-00	TI_TPS43331_Q1_DUAL SWITCHER AND LINEAR REGULATORS	1.00	U9
194	3-QMBT-3904-0N-6S	Transistor_mmBT3904LT1 SOT- 23 NPN	16.00	Q18 Q40 Q46 Q54 Q2 Q3 Q4 Q6 Q9 Q11 Q14 Q19 Q25 Q26 Q41 Q65
195	3-Q2SC-4375-0N-6S	Transistor 2SC4375 SOT-89 NPN	2.00	Q22 Q24
196	3-QKTD-1624-0N-6S	Transistor KTD1624C SOT-89 NPN	1.00	Q49
197	3-QMBT-3906-0P-6S	Transistor mmBT3906LT1 SOT- 23 PNP	7.00	Q1 Q10 Q51 Q52 Q67 Q68 Q69
198	3-Q2SB-1132-0P-6S	Transistor 2SB1132 SOT-89 PNP	1.00	Q23
199	3-Q2SC-3265-0N-6S	Transistor 2SC3265/L8050QLT1G SOT-23 NPN	3.00	Q29 Q44 Q45
200	3-XQ05-008M-01-2S	Crystal_8MHz_49SMT_20PF ±10ppm -40°C~85°C	1.00	Y6
201	3-XQ01-026M-00-20	Crystal_26MHz_±10PPM_12PF_ SMD 3225	1.00	U4
202	3-XQ01-028M-63-0S	Crystal_SMD3225_28.63636MHZ 30ppm 18pF	1.00	U13
203	3-DZA3-0010-00-0S	Diode 10V 1mA SOD-323	3.00	ZD6 ZD34 ZD35
204	3-DZA3-0012-00-0S	Diode 12V 1mA SOD-323	1.00	ZD44
205	3-DZA3-0018-00-0S	Diode 18V MSOD-323	2.00	ZD4 ZD5
206	3-DZA3-05V6-00-0S	Diode 5.6V 1mA SOD-323	1.00	ZD9

207	3-DZA3-07V5-00-0S	Diode 7.5V 1mA SOD-323	9.00	ZD10 ZD11 ZD12 ZD13 ZD15 ZD16 ZD17 ZD20 ZD21
208	3-DTVS-LESD-5L-0S	TVS_LESD5L5.0T1G_USB_0.5pF_SOD-523	4.00	ZD7 ZD8 ZD24 ZD25
209	3-RN21-051R-F0-0S-1	Resistance_51Ω*4_1/16W_1%	2.00	NR12 NR13
210	3-L4S0-0100-CD-32	Inductance_CD32_10uH_≤ 1.43A ±10%	1.00	L24
211	3-RS21-0000-J0-0S	Resistance_0402_0Ω_1/16W ±5%	1.00	FB28
212	3-CE16-0688-52-00	Capacitance_16*25_6800uF_20 V_105°C ±20% 2.8±0.3mm	1.00	TC78
213	3-CE16-0478-52-00	Capacitance_16*25_4700uF_20 V_105°C ±20%	1.00	TC7
214	3-J120-0200-07-12	Capacitance_20PIN_PH2.0	1.00	CON13
215	3-M300-H400-00-I0	PKM13EPYH4000-A0	1.00	BUZ1
216	3-LC1C-0221-K0-00	Inductor_12*10_220uH_10A_± 10%	1.00	L2
217	3-JU04-F090-07-10	USB connector_C8_USB A/F 4PIN DIP	1.00	U1
218	3-J218-5018-52-00	Connector_PLUG_CNE-8215- CL_18PIN_CSC5018-5201F SMK	1.00	CON27
219	3-UTDA-7561-00-0S	TDA75610_FLEXIWATT27(vertic al)_ST	1.00	TC19
220	3-JEST-T100-00-10	Tuner connector_2PIN	1.00	ANT4

### SIRIUS BOARD PART LISTS

NO.	Part Number	Part information	Number	Reference Mark
1	3-B325-2292-R1-01	CNE-8243-CL_ISDB-T_2_FR- 4_1.6MM_150*165MM_V01	1.00	
2	3-RS63-0000-F0-0S	Resistance_1206_0Ω_1/8W +1%	4.00	C24 C25 C26 C27
3	3-RS31-100R-J0-0S	Resistance_0603_100Ω_1/16W ±5%	4.00	R14 R15 R22 R23
4	3-RS31-0000-J0-0S	Resistance_0603_0Ω_1/16W ±5%	4.00	R1 R2 R4 R5
5	3-LA6X-060R-00-0S	1206_60R_≤1000mA_±25%	2.00	L3 L9
6	3-LA30-601R-G0-0S	0603_600Ω_≤100mA_±25%	1.00	FB1
7	3-JF50-00R5-02-31-H	Connector_FPC_50PIN_0.5mm_S MT_HF601-50-02	1.00	CON6
8	3-ES30-06V0-00-0S	ESD__0603_5~6V_0.15PF	11.00	ESD1 ESD2 ESD3 ESD4 ESD7 ESD10 ESD12 ESD13 ESD14 ESD16 ESD17
9	3-CC37-0105-4X-1S	Capacitance_0603_1uF_25V_X7 R_±10%_TAIYOU	5.00	C3 C6 C255 C2 C200
10	3-RS31-010K-J0-0S	Resistance_0603_10K_1/16W ±5%	2.00	R30 R32
11	3-RS53-02R2-J0-0S	Resistance_0805_2.2Ω_1/8W ±5%	1.00	R10
12	3-F301-D1A1-01-00	Fuse_1812_1.1A_33V_PPTC	1.00	FU2
13	3-DHXX-1018-10-0S-7	ESD_0603_18V_10PF	3.00	ESD8 ESD9 ESD15
14	3-J118-0200-07-12	Connector_18PIN_PH2.0	1.00	CON2
15	3-J110-0200-07-00	Connector_200-10005-0 Pitch=2.0mm_10PIN	1.00	CON4

16	3-J210-0200-00-00	Sirius connector_TCS7705-0120177 10pin 2mm 14*13.5	1.00	CON3
----	-------------------	--	------	------

TUNER BOARD PART LISTS				
NO.	Part Number	Part information	Number	Reference Mark
1	3-B324-2299-R2-01	C9SL_CNE-8243-CL_TUNER_FR-4_1.2MM_168.2*108.85mm_16_V02	1.00	
2	3-CC37-0104-4X-0S	Capacitance_0603_0.1uF_25V_X7R $\pm 10\%$	4.00	C103 C198 C199 C200
3	3-CC35-0101-30-0S	Capacitance_0603_100pF_16V_NPO $\pm 5\%$	2.00	C1 C4
4	3-CC35-0103-4X-0S	Capacitance_0603_10nF_16V_X7R $\pm 10\%$	4.00	C201 C204 C206 C207
5	3-CC35-0120-30-0S	Capacitance_0603_12pF_16V_NPO $\pm 5\%$	1.00	C189
6	3-CC35-0150-30-0S	Capacitance_0603_15pF_16V_NPO $\pm 5\%$	2.00	C102 C214
7	3-CC35-0102-4X-0S	Capacitance_0603_1nF_16V_X7R $\pm 10\%$	3.00	C183 C196 C208
8	3-CC37-0105-4X-1S	Capacitance_0603_1uF_25V_X7R $\pm 10\%$ TAIYOU	3.00	C182 C205 C106
9	3-CC35-0224-4X-0S	Capacitance_0603_0.22uF_16V_X7R $\pm 10\%$	2.00	C104 C194
10	3-CC35-0220-80-0S	Capacitance_0603_22pF_50V_NPO $\pm 5\%$	2.00	C212 C213
11	3-CC39-0030-80-0S	Capacitance_0603_3pF_50V_NPO $\pm 0.25P$	1.00	C195
12	3-L25X-01L1-K0-0S	Inductor_0805_1.1uH $\pm 10\%$	1.00	L23
13	3-L260-215N-00-1S	Inductor_Wire-Wind-10B3218H-R21K 215nH 10% 1206 SANWA	1.00	L26
14	3-L230-027N-X0-00	Inductor_SA-170-Z_0603_270nH $\pm 2\%$ LQW18ANR27G00	1.00	L18
15	3-L25X-01U8-K0-0S	Inductor_0805_1.8uH $\leq 300mA$ $\pm 10\%$	1.00	L25
16	3-L860-290N-00-1S	Inductor_Wire-Wind-10B3218H-R29K 290NH 10% 1206 SANWA	1.00	L21
17	3-L27X-560U-00-0S	Inductor_SWF3225CF_560uH_80mA 1210	2.00	L16 L17
18	3-RS31-100R-J0-0S	Resistance 0603 100 $\Omega$ 1/16W $\pm 5\%$	3.00	R3 R4 R229
19	3-RS31-022R-J0-0S	Resistance 0603 22 $\Omega$ 1/16W $\pm 5\%$	1.00	R224
20	3-RS31-470K-J0-0S	Resistance 0603 470K 1/16W $\pm 5\%$	2.00	R228 R230
21	3-RS31-04K7-J0-0S	Resistance 0603 4K7 1/16W $\pm 5\%$	1.00	R225
22	3-UTEF-6621-00-0S	Tuner_IC_TEF6621_S032	1.00	U1
23	3-XQ06-004M-02-4S	Crystal_HC-49 SMT 4.000MHz 20PF $\pm 20ppm$ -20°C+80°C	1.00	Y1

### A6 CORE BOARD PART LISTS

NO.	Part Number	Part information	Number	Reference Mark
1	3-B364-2278-R1-02	PCB_A6_CNE-6959B-A_FR-4_1.2mm_196.4mm*90.8mm_ROHS	1.00	
2	3-USRS-3661-01-0S	CPU_SiRFatlasVI_CSRS3661A01-IBBO-R_FCBGA362	1.00	U1
3	3-UADV-7181-00-00	ADV7181D_10-Bit, 10-Channel, Multiformat SDTV/HDTV Video Decoder	1.00	U26
4	3-CC25-0104-4X-0S	Capacitance_SN-6605-Z_0402_0.1uF_X7R_10%_16V_GRM155R71C104KA88D	64.00	C1 C2 C3 C6 C8 C16 C17 C21 C23 C25 C50 C56 C57 C58 C59 C62 C63 C64 C66 C67 C71 C78 C80 C82 C83 C84 C86 C114 C116 C118 C121 C155 C158 C159 C13 C150 C193 C154 C157 C147 C148 C37 C161 C162 C198 C209 C210 C211 C213 C320 C322 C324 C325 C326 C327 C1237 C1242 C196 C69 C70 C142 C337 C65 C166
5	3-CC29-0101-34-0S	Capacitance_0402_100pF_50V_COG ±5%	4.00	C20 C77 C85 C88
6	3-CC23-0103-4X-0S	Capacitance_0402_10nF_16V_X7R ±10%	13.00	C321 C323 C1238 C1244 C68 C136 C328 C22 C24 C42 C43 C44 C45
7	3-CC23-0102-4X-0S	Capacitance_0402_1nF_10V_X7R ±10%	3.00	C319 C60 C61
8	3-CC22-0105-44-0S	Capacitance_0402_1uF_6.3V_X5R ±10%	32.00	C139 C140 C112 C133 C135 C138 C137 C15 C18 C19 C26 C54 C55 C73 C74 C75 C76 C79 C81 C87 C89 C96 C97 C98 C99 C100 C101 C102 C103 C113 C115 C52
9	3-CC29-0225-AR-6S	Capacitance_0402_2.2uF_6.3V_X5R_±20%_GRM155R60J225M	3.00	C5 C164 C165
10	3-CC32-0225-4X-0S	Capacitance_0603_2.2uF_6.3V_X5R ±10%	2.00	C7 C53
11	3-CC25-0223-4X-0S	Capacitance_0402_22nF_16V_X7R ±10%	5.00	C151 C108 C109 C134 C117
12	3-CC29-0220-3C-6S	Capacitance_SN-6605-Z_0402_22PF_50V_±5%_COG_GRM1555C1H220HZ01D_MVRATA	5.00	C123 C125 C126 C11 C12
13	3-CC32-0106-54-0S	Capacitance_0603_10uF_6.3V_X5R ±20%	7.00	C156 C330 C331 C332 C333 C106 C107
14	3-CC32-0475-44-0S	Capacitance_0603_4.7uF_6.3V_X5R ±10%	4.00	C132 C141 C4 C72
15	3-CC23-0010-30-0S	Capacitance_0402_10PF_10V_NPO ±5%	2.00	C149 C153
16	3-CC23-0332-4X-0S	Capacitance_0402_3.3nF_10V_X7R ±10%	6.00	C110 C111 ESD1 C144 C145 C146
17	3-CC29-0470-34-0S	Capacitance_0402_47pF_50V_COG ±5%	2.00	C1235 C1236
18	3-CC25-0823-4X-0S	Capacitance_0402_82NF_16V_X7R ±10%	1.00	C329
19	3-CC29-0150-34-0S	Capacitance_0402_15pF_50V_COG 5%	2.00	C9 C10

20	3-CC22-0224-4X-0S	Capacitance_0402_220nF_6.3V_X7R_±10%	22.00	C27 C28 C29 C30 C31 C32 C33 C34 C35 C36 C38 C39 C40 C41 C46 C47 C90 C91 C92 C93 C94 C95
21	3-CC29-0221-4X-6S	Capacitance_SN-6605-Z_0402_220PF_X7R_10%_50V_GR M155R71H221KA01D	1.00	C49
22	3-CC22-0226-00-0S	Capacitance_POL_22u_6V3_0805	5.00	C14 C48 C51 C104 C105
23	3-XQ0X-32K7-68-4S	Crystal_32.768KHz_SMD_12.5PF_+20PPM_-40°C+85°C	1.00	Y2
24	3-U0CS-4344-CZ-XS	CS4344_TSSOP10_DAC_IC_CIRRU S LOGIC	1.00	U9
25	3-U0MT-41K1-28-00	iC_DDR3_MT41K128M16JT-125 FBGA96 Micron	1.00	U2
26	3-DKA0-4148-00-0S	1N4148WS 200mA 200mW SOD-323	2.00	D1 D4
27	3-DXA9-551V-30-0S	Diode_RB551V30_SOD-323 500MA 200MW	2.00	D2 D3
28	3-CTB3-0476-54-0S	Capacitance_B_47uF_10V_±20%	1.00	TC3
29	3-U002-4C02-AF-9S	AT24C02A_SOP8_ATMEL	1.00	U10
30	3-DHXX-A104-02-0S	ESD_EGA10402V05AH_5V_0402_0.2pf fbetter	4.00	C143 ESD2 ESD3 ESD4
31	3-L220-010N-J0-6S	Inductance_SN-6605-Z_0402_10nH_±5%_LQG15HS10N J02D	7.00	FB1 FB7 FB8 FB10 FB15 L3 FB13
32	3-LA69-120R-X0-0S	BLM31PG121SH_1206_3A_120Ω ±25%	1.00	FB14
33	3-LA24-102R-M0-0S	0402_1000ohm_200MA_±25%	2.00	FB11 FB12
34	3-LA38-120R-00-6S	SN-6605-Z_0603_BLM18PG121SN1_120Ω 100MHZ 2000mA	1.00	L4
35	3-L4S8-0022-N0-0S	IND_PWR_2.2UH@1MHZ_2A_30%_S MT CDRH3D16	2.00	L1 L2
36	3-U0LD-1117-33-0S	LDO_LD1117_3.3V_SOT-223	1.00	U6
37	3-U0UF-2G8F-2C-XS	FLASH H27U2G8F2CTR_256MB_TSOP48_H YNIX	1.00	U4
38	3-RS21-0000-J0-0S	Resistor 0402 0Ω 1/16W ±5%	26.00	R11 R12 R14 R18 R48 R51 R52 R53 R72 R73 R75 R76 R105 R139 R141 R151 R176 R177 R178 R188 R193 R196 R195 R212 R213 R7
39	3-RS21-1K69-F0-0S	Resistor 0402 1.69KΩ 1/16W ±1%	1.00	R185
40	3-RS21-100K-F0-0S	Resistor 0402 100K 1/16W ±1%	12.00	R21 R22 R60 R62 R63 R64 R65 R68 R77 R92 R131 R150
41	3-RS21-100R-J0-0S	Resistor 0402 100Ω 1/16W ±5%	10.00	R30 R31 R33 R34 R35 R36 R108 R128 R210 R211
42	3-RS21-010K-F0-0S	Resistor 0402 10K 1/16W ±1%	15.00	R15 R19 R27 R39 R42 R47 R55 R90 R127 R133 R152 R154 R155 R187 R70
43	3-RS21-001K-F0-0S	Resistor 0402 1K 1/16W ±1%	5.00	R41 R43 R87 R88 R89
44	3-RS21-001M-F0-0S	Resistor 0402 1M 1/16W ±1%	1.00	R148

45	3-RS21-020K-F0-0S	Resistor 0402 20K 1/16W ±1%	3.00	R84 R85 R80
46	3-RS21-022R-J0-0S	Resistor 0402 22Ω 1/16W ±5%	2.00	R97 R99
47	3-RS21-024K-J0-0S	Resistor 0402 24K 1/16W ±5%	1.00	R69
48	3-RS21-240R-00-0S	Resistor 240R 0402 1/16W ±5%	2.00	R1 R38
49	3-RS21-0202-F0-00	Resistor 0402 2K 1/16W ±1%	2.00	R147 R149
50	3-RS21-002M-F0-0S	Resistor 0402 2M 1/16W ±1%	1.00	R13
51	3-RS21-030K-F0-0S	Resistor 0402 30K 1/16W ±1%	2.00	R81 R79
52	3-RS21-033K-F0-0S	Resistor 0402 33K 1/16W ±1%	1.00	R82
53	3-RS21-033R-J0-0S	Resistor 0402 33Ω 1/16W ±5%	36.00	R2 R3 R5 R6 R29 R32 R93 R94 R95 R96 R117 R123 R124 R125 R126 R144 R146 R156 R157 R158 R159 R163 R164 R165 R166 R167 R168 R169 R170 R172 R173 R174 R175 R179 R134 R186
54	3-RS21-04K7-J0-0S	Resistor 0402 4.7K 1/16W ±5%	5.00	R23 R24 R25 R26 R184
55	3-RS21-470R-F0-0S-1	Resistor 0402 470Ω 1/16W ±1%	1.00	R71
56	3-RS21-44R2-F0-0S-1	Resistor 0402 44R2 1/16W ±1%	1.00	R4
57	3-RS21-047K-F0-0S	Resistor 0402 47K 1/16W ±1%	3.00	R192 R83 R86
58	3-RS21-510K-F0-0S	Resistor_0402_510K_1/16W_± 1%	1.00	R17
59	3-RS21-051K-F0-0S	Resistor_0402_51K_1/16W_±1 %	1.00	R66
60	3-RS21-051R-F0-00	Resistor 0402 51R ±1% 1/16W	2.00	R98 R100
61	3-RS21-075R-F0-0S	Resistor 0402 75R 1/16W ±1%	5.00	R180 R181 R182 R183 R136
62	3-RS21-0821-F0-00	Resistor 0402 820R ±1% 1/16W	1.00	R145
63	3-RS31-091R-J0-0S	Resistor 0603 91Ω 1/16W ±5%	1.00	R37
64	3-RN21-033R-J0-0S	Resistor 0402 33R*4 1/16W ±5%	10.00	RA1 RA2 RA3 RA4 RA5 RA6 RA7 RA8 RA9 RA10
65	3-URN5-566A-00-0S	IC_RN5T566A_QFN0606- 36pin RICON	1.00	U3
66	3-URT9-1933-3P-00	LDO_RT9193- 33GB_300mA/3.3V_SOT23- 5 Richtek	1.00	U14
67	3-URT9-1931-8P-00	LDO_RT9193- 18GB_300mA/1.8V_SOT23- 5 Richtek	1.00	U11
68	3-U0XC-6228-D3-X0	LDO_XC6228D302VR- G 300mA/3.0V_SOT23-5 TOREX	1.00	U33
69	3-U0FN-2712-MR-0S	XC61FN2712MR_SOT23	1.00	U5

70	3-XQ01-026M-00-20	Crystal 26MHz +/-10PPM 12PF SMD 3225	1.00	Y1
71	3-XQ01-028M-63-0S	Crystal_SMD3225 28.63636MHZ 30ppm 18pF	1.00	Y4
72	3-DX05-AT3G-00-0S	Diode_SMAJ6.0(C)A_SMA_40W	1.00	ZD1

### KEY BOARD PART LISTS

NO.	Part Number	Part information	Number	Reference Mark
1	3-B324-2300-R3-01	CNE-8243-CL_KEY_FR- 4 1.2MM 97.5*174.1mm V03	1.00	
2	3-CC37-0104-4X-0S	Capacitance_0603_0.1uF_25V_ X7R ±10%	4.00	C1 C2 C7 C8
3	3-CC35-0100-30-0S	Capacitance_0603_10pF_16V_N PO ±5%	1.00	C10
4	3-CC43-0106-4R-0S	Capacitance 0805 10uF 10V X5R ±10%	1.00	C3
5	3-CC35-0102-30-0S	Capacitance_0603_1n_16V_NPO ±5%	2.00	C4 C6
6	3-JF12-00R5-04-20	Connector_12PIN_0.5mm_SMT	1.00	CON5
7	3-J102-0125-08-30-C	Connector_2PIN_1.25mm_SMT	1.00	CCON2
8	3-J107-0100-07-30	Connector_7PIN_1mm_SMT	2.00	CON8 CON9
9	3-DHXX-1018-10-0S-7	ESD_0603_18V_10PF	1.00	ESD1
10	3-LA30-182R-00-1S	0603_1800Ω ≤50mA ±25%	1.00	FB1
11	3-RS31-022R-J0-0S	Resistor 0603 22Ω 1/16W ±5%	1.00	FB2
12	3-L8SX-0100-K0-0S	Inductance_CF322522_10uH_15 0mA ±5%	1.00	L1
13	3-DED0-1106-24-0S	0603_LED_11062403001A_620- 625nm 2.0-2.2v 115-150mcd	1.00	D1
14	3-RS31-0000-J0-0S	Resistor 0603 0Ω 1/16W ±5%	1.00	R26
15	3-RS31-010K-J0-0S	Resistor 0603 10K 1/16W ±5%	1.00	R31
16	3-RS31-150R-J0-0S	Resistor 0603 150Ω 1/16W ±5%	1.00	R16
17	3-RS31-001K-J0-0S	Resistor 0603 1K 1/16W ±5%	3.00	R17 R18 R19
18	3-RS31-330R-F0-0S	Resistor 0603 330Ω 1/16W ±1%	6.00	R4 R8 R14 R29 R39 R40
19	3-RS31-043K-F0-0S	Resistor 0603 43K 1/16W ±1%	2.00	R28 R30
20	3-RS31-05K1-F0-0S-1	Resistor 0603 5K1 1/16W ±1%	1.00	R7
21	3-RS31-07K5-F0-0S-1	Resistor 0603 7K5 1/16W ±1%	2.00	R3 R10
22	3-DEX6-1303-3A-0S	LED_3528-RGB_13032500003A 20mA R48mW/G72mW/B72mW	6.00	LED1 LED3 LED5 LED6 LED7 LED8
23	3-JK00-00TF-00-00	Connector_TF_JAE_ST11S008V4 H	1.00	A1
24	3-KTTS-1107-GS-SS	TS-1107GS-2 6*37*2.5_ 180gf±30gf	1.00	SW19
25	3-KTTS-03MB-S0-SS	TS-03M-BS-P 6*3.5*5 180gf±30gf	4.00	SW1 SW3 SW4 SW5
26	3-QMBT-3904-0N-6S	Transistor mmBT3904LT1 SOT- 23 NPN	1.00	Q2

27	3-DZA3-03V9-00-0S	Diode 3.9V 1mA SOD-323	1.00	ZD1
28	3-JF20-00R5-04-3R	Connector_0.5mm_20PIN_ROHS	1.00	CON1
29	3-RS31-220R-F0-0S	Resistor 0603 220Ω 1/16W ±1%	6.00	R1 R12 R34 R36 R5 R88
30	3-RS31-392R-F0-0S	Resistor 0603 392Ω 1/16W ±1%	6.00	R13 R2 R35 R37 R6 R9
31	3-KEEC-1100-4S-SS	EC11-004S_12*11.7*14.5 500gf±150gf	1.00	EN1
32	3-JCEJ-3524-10-00	Connector_AUX-SOCKET_SN- 9910-Z_3.6mm_4PIN_EST- J3524-2	1.00	J1
33	3-U0HM-338N-00-XD	HM338N-W_5*5_GOOD_TAKE	1.00	U1
34	3-M103-4015-06-00	MIC_SN-6803-AC_Φ =4.0mm_H=1.5mm_- 42±3dB(0dB=1V_Pa_at_1kHz)_ TSB-4015A12C1033Z3-GP	1.00	
35	3-WS01-0024-04-00	AUX_IN_4PIN_1.25mm_60mm_2.5 ±0.5MM	1.00	

### SERVO BOARD PART LISTS

NO.	Part Number	Part information	Number	Reference Mark
1	3-B324-2129-R5-03	PCB_SERVO_CNE-8239E- CL_FR4_1.2mm_169.2*121.6mm_ ROHS_VR5_OSP	1.00	
2	3-CC35-0103-4X-0S	Capacitance_0603_10nF_16V_X 7R_±10%	30.00	BC19 BC2 BC24 BC25 BC29 BC30 BC31 BC33 BC34 BC35 BC37 BC38 BC39 BC40 BC41 BC46 BC47 BC48 BC49 BC5 BC50 BC51 BC52 BC56 BC65 BC66 BC67 BC68 R32 R75
3	3-CC35-0471-30-0S	Capacitance_0603_470pF_16V_ NPO ±5%	2.00	BC3 BC59
4	3-CC35-0101-30-0S	Capacitance_0603_100pF_16V_ NPO ±5%	11.00	C1 C2 C3 BC4 C5 BC27 BC54 C320 C323 C326 C329
5	3-CC37-0104-4X-0S	Capacitance_0603_0.1uF_25V_ X7R_±10%	13.00	C10 BC6 BC11 BC12 BC15 BC16 BC17 BC20 BC22 BC45 BC60 BC64 BC74
6	3-CC35-0102-4X-0S	Capacitance_0603_1nF_16V_X7 R ±10%	4.00	BC7 BC10 BC32 BC70
7	3-CC32-0475-44-0S	Capacitance_0603_4.7uF_6.3V X5R ±10%	2.00	BC13 BC73
8	3-CC35-0105-4X-1S	Capacitance_0603_1uF_16V_X7 R ±10%	7.00	BC101 BC21 BC26 BC71 BC72 BC76 C4
9	3-CC35-0681-30-0S	Capacitance_0603_680pF_16V_ NPO ±5%	1.00	BC62
10	3-CC43-0106-4R-0S	Capacitance 0805 10uF 10V X5R ±10%	2.00	C59 BC75
11	3-RS31-560R-J0-0S	Resistor 0603 560Ω 1/16W ±5%	2.00	R53 R55
12	3-CC35-0100-30-0S	Capacitance_0603_10pF_16V_N P0 ±5%	4.00	C6 C7 C8 C9
13	3-CC35-0330-30-0S	Capacitance_0603_33pF_16V_N P0 ±5%	2.00	C23 C24
14	3-CC35-0050-80-0S	Capacitance_0603_5pF_16V_NP 0 ±0.25	1.00	C25

15	3-JF40-00R5-02-30-H	Connector_FPC_40PIN_0.5mm SMT_HF601-40-02	1.00	CON7
16	3-KDES-E11M-H1-SS	ESE11MH1_7.6*6.4*5.4_36gf	1.00	DISC_SW
17	3-LA5X-121R-W0-0S	FB_0805_120R_200mA_±25%	4.00	FB2 FB4 FB14 FB15
18	3-LA6X-101R-00-1S	FB_1206_100R_500mA_±25%	1.00	FB3
19	3-RS52-0000-J0-0S	Resistor_0805_0Ω_1/8W_±5%	1.00	FB7
20	3-L25X-0390-M0-0S	Inductor_0805_39uH_≤ 5mA_±20%	1.00	FB10
21	3-JF24-00R5-03-30-D	Connector_FFC_24PIN_0.5mm	1.00	J1
22	3-L23X-0100-K0-0S	Inductor_0603_10uH_≤ 3mA_±10%	2.00	L1 L20
23	3-L25X-01L1-K0-0S	Inductor_0805_1.1uH_±10%	4.00	L7 L10 L11 L39
24	3-RS31-04K7-J0-0S	Resistor_0603_4K7_1/16W ±5%	5.00	R1 R35 R51 R77 R78
25	3-RS31-020K-F0-0S	Resistor_0603_20K_1/16W ±1%	3.00	R3 R19 R23
26	3-RS31-033R-J0-0S	Resistor_0603_33Ω_1/16W ±5%	9.00	R5 R47 R70 R71 R74 R101 R102 R103 R104
27	3-RS31-075R-J0-0S	Resistor_0603_75Ω_1/16W ±5%	5.00	R29 R46 R493 R8 R9
28	3-RS31-001R-F0-0S	Resistor_0603_1Ω_1/16W ±1%	1.00	R10
29	3-RS31-010K-J0-0S	Resistor_0603_10K_1/16W ±5%	6.00	R15 R21 R27 R28 R64 R65
30	3-RS31-010K-F0-0S	Resistor_0603_10K_1/16W ±1%	9.00	R20 R22 R36 R37 R38 R41 R50 R52 R54
31	3-RS31-0000-J0-0S	Resistor_0603_0Ω_1/16W ±5%	18.00	R11 R12 R13 R2 R24 R26 R40 R43 R48 R56 R57 R58 R6 R60 R62 R63 R67 R72
32	3-RS31-02K2-F0-0S	Resistor_0603_2K2_1/16W ±1%	2.00	R25 R120
33	3-RS31-001K-F0-0S	Resistor_0603_1K_1/16W_±1%	1.00	R31
34	3-RS31-001K-J0-0S	Resistor_0603_1K_1/16W_±5%	3.00	R33 R44 R117
35	3-RS31-027R-F0-0S	Resistor_0603_27Ω_1/16W ±1%	1.00	R34
36	3-RS53-04R7-F0-0S	Resistor_0805_4.7Ω_1/8W ±1%	2.00	R39 R42
37	3-RS31-100K-J0-0S	Resistor_0603_100K_1/16W ±5%	1.00	R45
38	3-RS63-002R-J0-0S	Resistor_1206_2Ω_1/8W_±5%	1.00	R49
39	3-RS31-056R-J0-0S	Resistor_0603_56Ω_1/16W ±5%	1.00	R59
40	3-RS31-100R-J0-0S	Resistor_0603_100Ω_1/16W ±5%	2.00	R85 R93
41	3-RS31-091K-J0-0S	Resistor_0603_91K_1/16W ±5%	1.00	R121
42	3-CTC3-0107-54-1S	Capacitance_C_100uF_10V_±2 0%	1.00	TC1
43	3-CTA2-0476-54-0S	Capacitance_A_47uF_6.3V_±2 0%	2.00	TC3 TC4

44	3-CTB2-0107-54-0S	Capacitance_B_100uF_6.3V_±20%	5.00	TC5 TC6 TC8 TC16 TC17
45	3-CES2-0227-52-0S	Capacitance_6.3X5.3_220uF_6.3V_105°C_+20%	2.00	TC12 TC13
46	3-CES5-0476-52-0S	Capacitance_5X5.3_47uF_16V_105°C_±20%	2.00	TC19 TC20
47	3-U0AM-5766-00-00	AM5766_IC_HSOP28_AMTEK	1.00	U1
48	3-U25L-3206-E0-0S	FLASH_IC_MX25L3206E_SPIFLASH_32MBit_SOP-8	1.00	U4
49	3-UPHE-8202-GQ-0S	MPEG_IC_SPHE8202GQ_LQFP128_SUNPLUS	1.00	U7
50	3-U0FM-24CL-16-0S	IC_FM24CL16B_SOP8_RAMTRON	1.00	U202
51	3-UM12-L128-16-8A	SDRAM_8×16M_M12L128168A(2T)_ESMT_TSOP-54	1.00	U301
52	3-XQ05-027M-00-3S	Crystal_27M_HC-49SMT_20PF_±10ppm_-40°C+85°C	1.00	Y1
53	3-L4S0-0100-CD-32	Inductance_CD32_10uH_≤1.43A_±10%	1.00	L8
54	3-Q0BT-2907-0P-6S	Transistor_mmBT2907A_SOT-23_PNP_SMT	2.00	Q1 Q2
55	3-LA30-121R-00-1S	FB_0603_120Ω_CBG160808U121T	1.00	FB1
56	3-RS31-220K-J0-0S	Resistor_0603_220K_1/16W_±5%	1.00	R61
57	3-CC32-0106-54-0S	Capacitance_0603_10uF_6.3V_X5R_±20%	2.00	BC14 BC18