

SPECIFICATIONS

FM Tuner

Frequency Range:	87.75MHz to 107.9MHz (AUTO 200KHz STEP,MANU 200KHz STEP)
Quieting sens.:	Less than 15dBuV (at 87.9 / 98.1 / 107.9MHz, S/N=30dB)
Stereo separation:	More than 25/20dB (98.1MHz, ANT.IN 65dBuV, 1KHz/7KHz)
SASC sens.	31 +/- 5dBuV (at 98.1M Hz, MOD.7KHz, ANT.IN 65dBuV -1dB POINT)
Auto stop sens.:	DX 29 +/- 6dBuV (at 87.9 / 98.1 / 107.9MHz)
S/N:	More than 50dB (at 87.9 / 98.1 / 107.9MHz, ANT.IN 55dBuV, 0dB=VOL-MAX)
Noise level -20dBuV IN:	-15 +/- 3dB (at 98.1MHz, ANT.IN 55dBuV -> -20dBuV)

AM Tuner

Frequency Range:	530KHz to 1710KHz (AUTO 10KHz STEP,MANU 10KHz STEP)
Quieting sens.:	Less than 37dBuV (at 600 / 1000 / 1400KHz, S/N=20dB)
Auto stop sens.:	DX 39 +/- 6dBuV (at 600 / 1000 / 1400KHz)
S/N:	More than 40dB (at 600 / 1000 / 1400KHz, ANT.IN 74dBuV, 0dB=VOL-MAX)

CD Player

Max. power:	3.9V +/-3dB (1KHz 2TRACK, VOL:MAX)
Distortion (CD-DA/MP3/WMA):	Less than 0.1% (1KHz 5TRACK 20KHz LPF)
S/N:	More than 80dB (1KHz 2TRACK -> - ∞ 8TRACK 0dB= VOL-MAX, 20KHz LPF)
Separation:	More than 50dB (1KHz 9TRACK/11TRACK 20KHz LPF) * TEST DISC; TCD-782/SCD-5606

TEL

TEL output level:	PN-3432D-C/D ; 130mV +/- 3dB PN-3432D-E ; 73mV +/- 3dB ("TEL-ON" of TH12 = 0~2V, "TEL I/F+" ~ "TEL I/F-" of TH12 = 1KHz,3V, VOL=16 step)
-------------------	---

General

Backup current :	Less than 1mA (13.2V, 30sec. after ACC OFF)
Clock accuracy:	Within 0+/-1 sec. (DAY)

Test conditions

Power supply voltage:	13.2V DC, negative ground
Load resistance:	2Kohm
Tone, Bass/Treb position:	CENTER
Balance position:	CENTER
Fader position:	CENTER

* For details, please refer to the design specifications.

EXPLODED VIEW / PARTS LIST

NO.	PART NO.	DESCRIPTION	Q'TY
1	-	-	-
1-1	947-0804-15	BACK PLATE-ASSY	1
1-2	370-6538-16	ESCUTCHEON(for PN3432DC,DE)	1
	370-6538-15	ESCUTCHEON(for PN3432DD)	1
1-3	380-5705-01	KNOB	2
1-4	-	-	-
1-4-1	-----	SW PWB	1
1-4-2	001-7109-90	DIODE	36
1-4-3	013-6202-52	TACT SWITCH	16
1-4-4	016-0018-23	VR W/SHAFT	1
1-4-5	016-0024-07	VR W/SHAFT	1
1-4-6	074-3013-74	OUTLET SOCKET	1
1-4-7	075-0390-00	JACK	1
1-5	716-0778-52	SPECIAL SCREW	15
1-6	345-6126-00	CUSHION RUBBER	1
2	-	-	-
2-1	-----	MAIN PWB	1
2-2	074-1237-69	OUTLET SOCKET	1
2-3	-	N/A(PLUG)	-
2-4	076-3011-74	PLUG	1
2-5	073-0762-90	TERMINAL	5
2-6	074-4009-20	OUTLET SOCKET	1
2-7	345-5805-51	GASKET	1
2-8	074-1013-00	OUTLET SOCKET	1
2-9	074-1302-12	OUTLET SOCKET	1
2-10	092-2210-00	ANT-RECEPT	1
2-11	778-3006-00	TAP-SCREW	4
2-12	307-0731-00	REAR PLATE	1
2-13	331-4454-00	TR-HOLDER	1
2-14	051-3340-00	IC	1
2-15	716-1494-50	IT SCREW	1
2-16	.880-2026L	TUNER	1
3	311-1914-00	LOWER CASE	1
4	716-0878-50	SPECIAL SCREW	5
5	309-0850-02	ES-PLATE	1
6	929-0410-80	CD-CHANG-MODULE	1
7	331-4091-10	6CD BRKT(L)	1
8	331-4092-10	6CD BRKT(R)	1
9	716-3552-00	SPECIAL SCREW	6
10	816-4024-50	FLAT WIRE	1
11	310-1823-10	UPPER CASE	1
12	307-0732-00	REAR-CVR	1
13	714-2606-8B	MACHINE SCREW	17
14	716-1553-50	SPECIAL SCREW	4
15	276-0066-42	SETPLATE(for PN3432DC)	1
	276-0066-43	SETPLATE(for PN3432DD)	1
	276-0066-50	SETPLATE(for PN3432DE)	1

ELECTRICAL PARTS LIST

MAIN PWB(B1) section

* Neither the part numbers of parts on which software is written, nor part numbers of parts for which replacement is prohibited in the production process are listed in the parts list. ▲

REF NO.	PART NO.	DESCRIPTION	REF NO.	PART NO.	DESCRIPTION	REF NO.	PART NO.	DESCRIPTION
ANT101	092-2210-00	ANTENNA	C336	178-1052-78	25V 1uF	C522	163-2273-25	10V 220uF
		RECEPT	C337	168-3332-78	0.033uF K	C523	166-2201-50	22pF CH
BL101	.880-2026L	TUNER	C338	168-1022-55	1000pF K	C524	168-2212-55	220pF K
C101	168-2222-55	2200pF K	C340	168-1022-55	1000pF K	C525	163-1073-35	16V 100uF
C102	-----	(N/A)	C341	-----	(N/A)	C526	042-0592-61	16V 47uF
C103	166-1511-50	150pF CH	C342	-----	(N/A)	C527	042-0592-61	16V 47uF
C104	-----	(N/A)	C343	168-4712-55	470pF K	C528	163-4763-35	16V 47uF
C105	163-1063-35	16V 10uF	C344	168-1022-55	1000pF K	C545	043-0566-90	50V 2.2uF K
C106	166-2201-50	22pF CH	C345	163-2263-35	16V 22uF	C546	043-0604-90	25V 10uF B
C107	043-0319-51	200pF J CH	C346	163-1073-15	6.3V 100uF	C547	189-1083-32	16V 1000uF
C108	168-2222-55	2200pF K	C348	168-3322-55	3300pF K	C548	-----	(N/A)
C109	168-1022-55	1000pF K	C349	168-3322-55	3300pF K	C549	043-0499-51	50V 0.1uF J
C110	168-1022-55	1000pF K	C350	168-3322-55	3300pF K	C550	178-4742-78	0.47uF
C111	168-1022-55	1000pF K	C351	168-3322-55	3300pF K	C551	168-1042-38	50V 0.1uF K
C112	168-1022-55	1000pF K	C352	168-1042-78	16V 0.1uF K	C552	168-2222-55	2200pF K
C113	163-1073-35	16V 100uF	C353	042-0643-58	6.3V 330uF	C553	168-2222-55	2200pF K
C114	168-2222-55	2200pF K	C355	168-2222-55	2200pF K	C554	168-2222-55	2200pF K
C115	168-1022-55	1000pF K	C356	168-2222-55	2200pF K	C556	168-2222-55	2200pF K
C116	168-1022-55	1000pF K	C357	168-2222-55	2200pF K	C557	168-2222-55	2200pF K
C117	168-1022-55	1000pF K	C358	168-2222-55	2200pF K	C558	168-2222-55	2200pF K
C118	163-1073-35	16V 100uF	C359	163-1073-15	6.3V 100uF	C559	168-2222-55	2200pF K
C119	163-4763-35	16V 47uF	C401	168-1042-78	16V 0.1uF K	C560	168-1522-55	1500pF K
C120	168-1042-78	16V 0.1uF K	C402	168-1042-78	16V 0.1uF K	C561	168-2222-55	2200pF K
C121	168-1042-78	16V 0.1uF K	C403	166-2201-50	22pF CH	C562	168-2222-55	2200pF K
C123	163-1073-35	16V 100uF	C404	166-2201-50	22pF CH	C563	168-6822-55	6800pF K
C124	163-1063-35	16V 10uF	C405	168-4722-55	4700pF K	C564	166-2201-50	22pF CH
C201	-----	(N/A)	C406	166-1201-50	12pF CH	C565	178-1052-78	25V 1uF
C202	178-1052-78	25V 1uF	C407	166-1201-50	12pF CH	C566	168-1042-78	16V 0.1uF K
C203	178-3342-78	0.33uF	C408	168-1042-78	16V 0.1uF K	C567	163-1063-35	16V 10uF
C204	-----	(N/A)	C409	163-4763-15	6.3V 47uF	C568	168-2232-55	0.022uF K
C205	163-2273-25	10V 220uF	C410	168-1042-78	16V 0.1uF K	C569	163-3373-15	6.3V 330uF
C206	168-1042-78	16V 0.1uF K	C411	168-1042-78	16V 0.1uF K	C570	168-1022-55	1000pF K
C207	042-0579-51	16V 10uF	C412	168-1032-55	0.01uF K	C571	-----	(N/A)
C208	042-0579-51	16V 10uF	C413	166-1011-50	100pF CH	C601	163-1063-35	16V 10uF
C209	168-1042-78	16V 0.1uF K	C414	166-1011-50	100pF CH	C602	163-1063-35	16V 10uF
C210	163-3373-15	6.3V 330uF	C415	163-4763-35	16V 47uF	C603	163-1063-35	16V 10uF
C301	166-1811-50	180pF CH	C416	043-0548-50	10V 2.2uF	C604	163-1063-35	16V 10uF
C302	168-1042-78	16V 0.1uF K	C417	043-0548-50	10V 2.2uF	C605	168-3332-78	0.033uF K
C303	163-4753-65	50V 4.7uF	C418	166-2201-50	22pF CH	C606	168-3332-78	0.033uF K
C304	-----	(N/A)	C419	166-2201-50	22pF CH	C607	168-2232-55	0.022uF K
C305	-----	(N/A)	C420	166-2201-50	22pF CH	C608	168-1042-78	16V 0.1uF K
C306	168-1042-78	16V 0.1uF K	C421	166-2201-50	22pF CH	C609	168-4722-55	4700pF K
C307	168-1042-78	16V 0.1uF K	C422	166-2201-50	22pF CH	C610	168-4722-55	4700pF K
C308	166-8097-50	8pF +/-0.5pF CH	C423	166-2201-50	22pF CH	C611	168-1022-55	1000pF K
C309	166-8097-50	8pF +/-0.5pF CH	C424	166-1801-50	18pF CH	C612	168-1022-55	1000pF K
C310	168-1022-55	1000pF K	C425	043-0548-50	10V 2.2uF	C613	168-1022-55	1000pF K
C311	168-1022-55	1000pF K	C426	043-0548-50	10V 2.2uF	C617	168-1022-55	1000pF K
C312	168-1022-55	1000pF K	C427	043-0548-50	10V 2.2uF	C618	168-1022-55	1000pF K
C313	168-1022-55	1000pF K	C428	043-0548-50	10V 2.2uF	C701	043-0548-50	10V 2.2uF
C314	-----	(N/A)	C429	168-1032-55	0.01uF K	C702	043-0548-50	10V 2.2uF
C315	-----	(N/A)	C501	168-1042-78	16V 0.1uF K	C703	166-5601-50	56pF CH
C316	168-1022-55	1000pF K	C502	168-1042-78	16V 0.1uF K	C704	166-5601-50	56pF CH
C317	168-1022-55	1000pF K	C503	168-1042-78	16V 0.1uF K	C705	-----	(N/A)
C318	168-1042-78	16V 0.1uF K	C504	168-1042-78	16V 0.1uF K	C706	-----	(N/A)
C319	163-4753-65	50V 4.7uF	C505	166-5611-50	560pF CH	C707	-----	(N/A)
C320	168-1042-78	16V 0.1uF K	C506	166-5611-50	560pF CH	C708	-----	(N/A)
C321	163-4753-65	50V 4.7uF	C507	166-5611-50	560pF CH	C709	166-5601-50	56pF CH
C322	-----	(N/A)	C508	178-3342-78	0.33uF	C710	166-5601-50	56pF CH
C323	-----	(N/A)	C509	166-5611-50	560pF CH	C711	043-0548-50	10V 2.2uF
C324	168-1022-55	1000pF K	C510	163-1073-15	6.3V 100uF	C712	043-0548-50	10V 2.2uF
C325	168-2222-55	2200pF K	C511	166-2201-50	22pF CH	C713	166-5601-50	56pF CH
C326	163-2273-25	10V 220uF	C512	166-2201-50	22pF CH	C714	166-5601-50	56pF CH
C327	168-4732-78	0.047uF K	C513	168-1042-78	16V 0.1uF K	C715	-----	(N/A)
C328	163-2263-35	16V 22uF	C514	168-1022-55	1000pF K	C716	-----	(N/A)
C329	168-1042-78	16V 0.1uF K	C515	166-2201-50	22pF CH	C717	-----	(N/A)
C330	163-3373-15	6.3V 330uF	C516	166-2201-50	22pF CH	C718	-----	(N/A)
C331	168-1042-78	16V 0.1uF K	C517	166-5611-50	560pF CH	C719	166-5601-50	56pF CH
C332	166-1011-50	100pF CH	C518	166-5611-50	560pF CH	C720	166-5601-50	56pF CH
C333	168-1042-78	16V 0.1uF K	C519	166-5611-50	560pF CH	C721	163-3363-25	10V 33uF
C334	163-1063-35	16V 10uF	C520	166-5611-50	560pF CH	C722	163-3363-25	10V 33uF
C335	168-1022-55	1000pF K	C521	163-4763-35	16V 47uF	C723	163-3363-25	10V 33uF

REF NO.	PART NO.	DESCRIPTION	REF NO.	PART NO.	DESCRIPTION	REF NO.	PART NO.	DESCRIPTION
C724	163-3363-25	10V 33uF	L101	010-2003-04	30uH	R108	-----	(N/A)
C725	163-3363-25	10V 33uF	L102	010-4011-20	2.5mH +3/-3%	R109	-----	(N/A)
C726	163-3363-25	10V 33uF	L301	010-3104-54	600 ohm/100MHz	R110	119-1011-15	1/10W 100 ohm
C727	163-3363-25	10V 33uF	L302	010-3103-50	1500 ohm/100MHz	R111	119-1011-15	1/10W 100 ohm
C728	163-3363-25	10V 33uF	L303	010-3104-54	600 ohm/100MHz	R112	119-1011-15	1/10W 100 ohm
C9001	-----	(N/A)	L304	010-3104-54	600 ohm/100MHz	R113	-----	(N/A)
CCT401	050-0145-52	1/16W 1k ohm x4	L305	010-3103-50	1500 ohm/100MHz	R114	-----	(N/A)
CCT402	050-0145-52	1/16W 1k ohm x4	L306	010-3104-54	600 ohm/100MHz	R115	119-1011-15	1/10W 100 ohm
CCT403	050-0145-52	1/16W 1k ohm x4	L307	010-3103-50	1500 ohm/100MHz	R116	119-1011-15	1/10W 100 ohm
D101	001-0580-90	1SS352	L308	010-3104-54	600 ohm/100MHz	R117	119-1011-15	1/10W 100 ohm
D102	001-0580-90	1SS352	L309	010-3104-54	600 ohm/100MHz	R118	116-1091-15	1/4W 1 ohm
D103	001-0529-47	MA8091-M	L310	010-3104-54	600 ohm/100MHz	R119	116-3911-15	1/4W 390 ohm
D201	001-2412-90	RR264M-400	L311	010-3103-50	1500 ohm/100MHz	R206	119-1021-15	1/10W 1k ohm
D501	-----	(N/A)	L312	010-3104-54	600 ohm/100MHz	R207	119-3331-15	1/10W 33k ohm
D502	001-0529-48	MA8091-H	L313	010-3104-54	600 ohm/100MHz	R208	119-4731-15	1/10W 47k ohm
D503	001-0580-90	1SS352	L402	010-3406-66	22uH J	R209	119-1041-15	1/10W 100k ohm
D504	001-0580-90	1SS352	L403	010-3406-54	2.2uH J	R210	119-4721-15	1/10W 4.7k ohm
D505	001-0580-90	1SS352	L404	010-3601-50	600 ohm/100MHz	R212	119-4721-15	1/10W 4.7k ohm
D506	001-2640-90	D1FJ4	L501	010-3104-54	600 ohm/100MHz	R213	119-4721-15	1/10W 4.7k ohm
D508	001-2015-00	RL253	L502	010-3104-54	600 ohm/100MHz	R214	119-4721-15	1/10W 4.7k ohm
D509	001-2412-90	RR264M-400	L503	010-3414-90	6.8uH	R216	032-0140-98	1/10W 330 ohm F
D510	001-0529-48	MA8091-H	L504	010-8045-00	520uH	R217	032-0140-93	1/10W 2k ohm F
D511	001-4301-68	HZU18B1	P401	076-0478-59	9P	R301	119-1031-15	1/10W 10k ohm
D512	001-0580-90	1SS352	P402	076-3011-74	24P	R302	119-2201-15	1/10W 22 ohm
D513	001-4301-68	HZU18B1	Q101	190-2060-00	2SA2060	R303	119-1031-15	1/10W 10k ohm
D514	001-4301-68	HZU18B1	Q102	125-2026-95	UNR521NG	R304	119-0000-05	1/10W 0 ohm JW
D515	001-0529-34	MA8062-L	Q103	-----	(N/A)	R305	119-0000-05	1/10W 0 ohm JW
D516	001-0580-90	1SS352	Q104	-----	(N/A)	R306	119-0000-05	1/10W 0 ohm JW
D517	001-0580-90	1SS352	Q105	192-5886-00	2SC5886	R307	119-0000-05	1/10W 0 ohm JW
D601	001-0580-90	1SS352	Q201	192-4081-00	2SC4081	R308	032-0140-80	1/10W 18k ohm F
D602	001-0529-44	MA8082-M	Q202	125-0021-91	DTA114EUA	R309	032-0140-80	1/10W 18k ohm F
D605	001-4305-39	UDZSTE-17 36B	Q203	125-2027-91	DTC114EUA	R310	032-0140-80	1/10W 18k ohm F
D606	001-0580-90	1SS352	Q204	198-3018-00	2SK3018	R311	032-0140-80	1/10W 18k ohm F
D607	001-0580-90	1SS352	Q205	198-3018-00	2SK3018	R312	119-1011-15	1/10W 100 ohm
D609	001-4305-39	UDZSTE-17 36B	Q206	125-9017-92	UMD3N-TR	R313	119-1031-15	1/10W 10k ohm
D610	001-4305-39	UDZSTE-17 36B	Q301	125-7007-90	Si5441BDC-TI-E3	R314	119-1021-15	1/10W 1k ohm
IC101	051-3341-90	BD3931FP	Q302	125-2027-91	DTC114EUA	R315	119-1021-15	1/10W 1k ohm
IC201	051-3516-90	S-1132B33-U5T1G	Q303	-----	(N/A)	R316	119-3921-15	1/10W 3.9k ohm
IC202	051-3340-00	LD1085P	Q304	-----	(N/A)	R317	119-1041-15	1/10W 100k ohm
IC301	-----	SAF7730HV/N317F (DSP) (Thermal pad) (670630-051)	Q305	125-2027-91	DTC114EUA	R318	119-3921-15	1/10W 3.9k ohm
IC401	-----	BR24L16FVM-WTR (E2POM) (Software should be written on production) (942490-051)	Q306	-----	(N/A)	R319	119-1041-15	1/10W 100k ohm
IC402	-----	M30876FJAGP VIRGIN-TYP (Flash u-COM) (Software should be written on production) (031510-052)	Q307	-----	(N/A)	R320	119-0000-05	1/10W 0 ohm JW
IC403	051-6607-08	PCA82C250T-T	Q308	125-2027-91	DTC114EUA	R321	119-1041-15	1/10W 100k ohm
IC404	051-5417-38	R3112N271A -TR-FA	Q309	-----	(N/A)	R322	119-1041-15	1/10W 100k ohm
IC405	051-3034-90	NJM4558V	Q310	-----	(N/A)	R323	119-1041-15	1/10W 100k ohm
IC406	051-6212-08	LC72191JM-TLM	Q311	-----	(N/A)	R324	119-1041-15	1/10W 100k ohm
IC501	051-3396-90	NJM2386ADL3 -33-TE1	Q501	190-1586-00	2SA1586 O,Y,G	R325	119-3921-15	1/10W 3.9k ohm
IC502	051-3019-90	NJM2060V	Q502	125-2027-91	DTC114EUA	R326	119-1001-15	1/10W 10 ohm
IC503	051-3034-90	NJM4558V	Q503	193-1664-00	2SD1664	R327	119-3921-15	1/10W 3.9k ohm
IC505	-----	LT3481EMSE #TRPBF (SW-REG) (Thermal pad) (351790-051)	Q504	192-4116-51	2SC4116 G,L	R328	119-1021-15	1/10W 1k ohm
IC506	051-5441-08	BD4828G-TR	Q505	191-1204-61	2SB1204 R,S,T	R329	119-0000-05	1/10W 0 ohm JW
IC701	051-3019-90	NJM2060V	Q506	125-9017-92	UMD3N-TR	R330	119-0000-05	1/10W 0 ohm JW
IC702	051-3019-90	NJM2060V	Q507	125-2027-91	DTC114EUA	R331	032-0140-50	1/10W 10k ohm F
J201	074-1237-69	19P	Q508	191-1197-50	2SB1197K Q,R	R332	032-0140-50	1/10W 10k ohm F
J501	074-4009-20	20P	Q509	125-2027-91	DTC114EUA	R333	032-0140-50	1/10W 10k ohm F
J601	074-1013-00	12P	Q512	192-4081-00	2SC4081	R334	032-0140-50	1/10W 10k ohm F
J602	074-1302-12	12P	Q513	192-4081-00	2SC4081	R335	032-0140-50	1/10W 10k ohm F
			Q514	125-2027-91	DTC114EUA	R336	032-0140-50	1/10W 10k ohm F
			Q516	192-4081-00	2SC4081	R337	119-1041-15	1/10W 100k ohm
			Q601	125-0006-90	UNR2110	R338	119-1041-15	1/10W 100k ohm
			Q602	125-2027-91	DTC114EUA	R339	119-1031-15	1/10W 10k ohm
			Q603	192-4081-00	2SC4081	R340	119-1031-15	1/10W 10k ohm
			Q604	192-4081-00	2SC4081	R341	119-1011-15	1/10W 100 ohm
			Q605	192-4081-00	2SC4081	R342	119-1011-15	1/10W 100 ohm
			Q607	125-0021-91	DTA114EUA	R343	119-0000-05	1/10W 0 ohm JW
			Q610	125-2027-91	DTC114EUA	R344	119-0000-05	1/10W 0 ohm JW
			Q611	192-4081-00	2SC4081	R345	119-0000-05	1/10W 0 ohm JW
			Q612	192-4081-00	2SC4081	R346	-----	(N/A)
			Q613	125-0021-91	DTA114EUA	R347	119-0000-05	1/10W 0 ohm JW
			Q614	125-0021-91	DTA114EUA	R348	119-4731-15	1/10W 47k ohm
			R102	116-1091-15	1/4W 1 ohm	R349	119-1031-15	1/10W 10k ohm
			R104	116-1221-15	1/4W 1.2k ohm	R350	119-0000-05	1/10W 0 ohm JW
			R105	119-1031-15	1/10W 10k ohm	R351	119-4731-15	1/10W 47k ohm
			R106	119-0000-05	1/10W 0 ohm JW	R352	119-1021-15	1/10W 1k ohm
			R107	119-0000-05	1/10W 0 ohm JW	R353	119-1021-15	1/10W 1k ohm

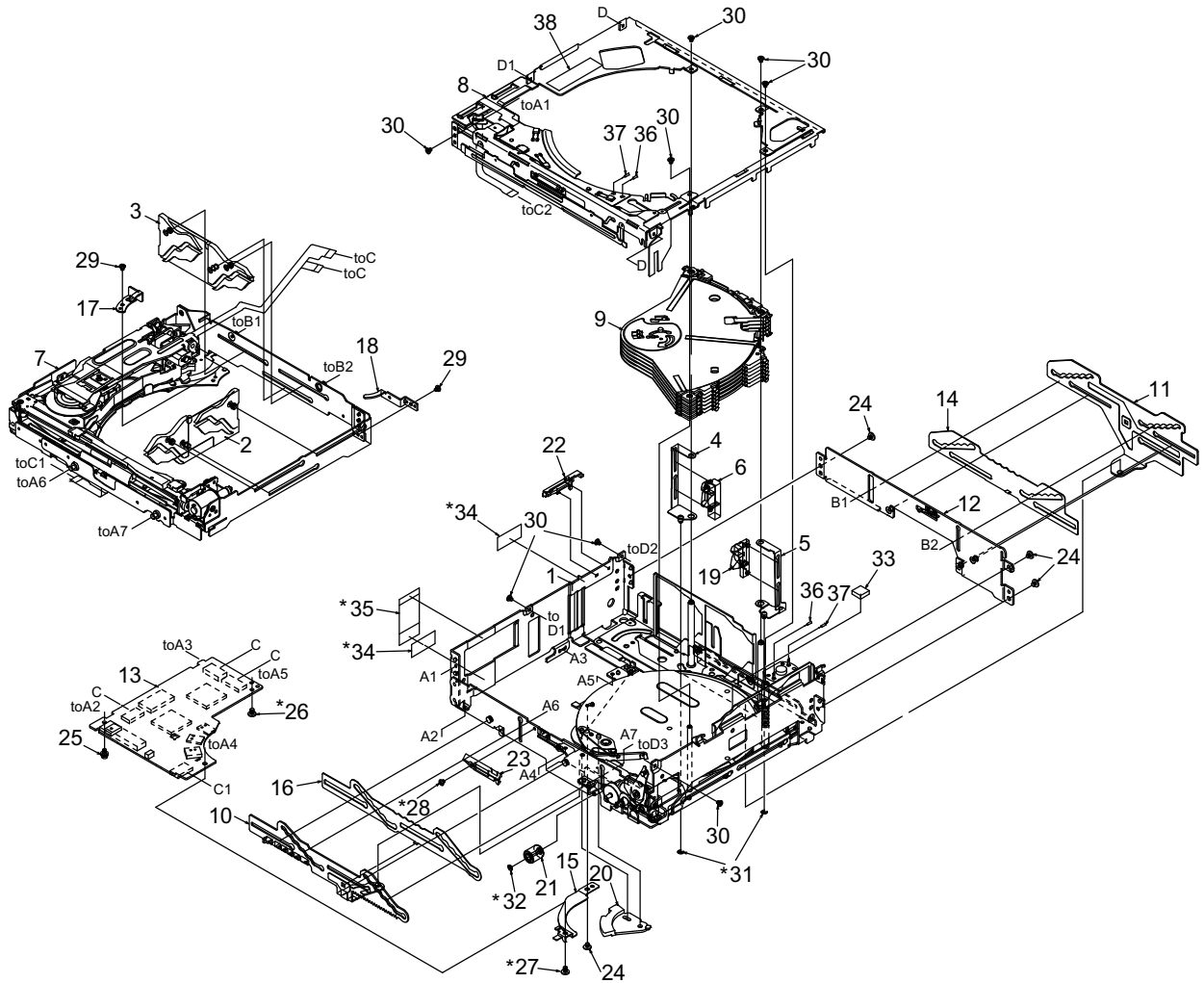
REF NO.	PART NO.	DESCRIPTION	REF NO.	PART NO.	DESCRIPTION	REF NO.	PART NO.	DESCRIPTION
R354	119-1021-15	1/10W 1k ohm	R471	032-0140-50	1/10W 10k ohm F	R570	116-8211-15	1/4W 820 ohm
R355	119-1021-15	1/10W 1k ohm	R472	032-0140-50	1/10W 10k ohm F	R575	119-0000-05	1/10W 0 ohm JW
R356	119-4731-15	1/10W 47k ohm	R473	032-0140-50	1/10W 10k ohm F	R576	119-7531-15	1/10W 75k ohm
R357	119-4731-15	1/10W 47k ohm	R474	032-0140-50	1/10W 10k ohm F	R577	119-4731-15	1/10W 47k ohm
R358	119-1001-15	1/10W 10 ohm	R475	119-1031-15	1/10W 10k ohm	R601	119-3011-15	1/10W 300 ohm
R359	119-4731-15	1/10W 47k ohm	R476	119-1031-15	1/10W 10k ohm	R602	119-3011-15	1/10W 300 ohm
R360	119-4731-15	1/10W 47k ohm	R493	-----	(N/A)	R603	119-3011-15	1/10W 300 ohm
R361	119-4731-15	1/10W 47k ohm	R494	-----	(N/A)	R604	032-0140-89	1/10W 47k ohm F
R362	119-4731-15	1/10W 47k ohm	R495	119-4731-15	1/10W 47k ohm	R605	032-0140-89	1/10W 47k ohm F
R401	119-1021-15	1/10W 1k ohm	R496	119-4731-15	1/10W 47k ohm	R606	119-1031-15	1/10W 10k ohm
R402	119-1021-15	1/10W 1k ohm	R497	119-4731-15	1/10W 47k ohm	R607	119-1021-15	1/10W 1k ohm
R403	119-1021-15	1/10W 1k ohm	R498	119-4731-15	1/10W 47k ohm	R608	119-6821-15	1/10W 6.8k ohm
R404	119-1021-15	1/10W 1k ohm	R499	119-1011-15	1/10W 100 ohm	R609	119-5621-15	1/10W 5.6k ohm
R405	119-0000-05	1/10W 0 ohm JW	R501	119-1031-15	1/10W 10k ohm	R610	119-5621-15	1/10W 5.6k ohm
R406	119-1021-15	1/10W 1k ohm	R502	119-1031-15	1/10W 10k ohm	R612	119-5631-15	1/10W 56k ohm
R407	119-1021-15	1/10W 1k ohm	R503	119-1031-15	1/10W 10k ohm	R613	119-5631-15	1/10W 56k ohm
R408	119-1021-15	1/10W 1k ohm	R504	119-1031-15	1/10W 10k ohm	R615	119-4731-15	1/10W 47k ohm
R409	119-4731-15	1/10W 47k ohm	R505	119-1031-15	1/10W 10k ohm	R616	119-1031-15	1/10W 10k ohm
R410	119-4731-15	1/10W 47k ohm	R506	119-1031-15	1/10W 10k ohm	R617	119-1031-15	1/10W 10k ohm
R411	119-4721-15	1/10W 4.7k ohm	R507	119-1031-15	1/10W 10k ohm	R623	119-5631-15	1/10W 56k ohm
R412	119-4731-15	1/10W 47k ohm	R508	119-1031-15	1/10W 10k ohm	R624	119-1031-15	1/10W 10k ohm
R413	119-4731-15	1/10W 47k ohm	R509	119-1031-15	1/10W 10k ohm	R625	119-2231-15	1/10W 22k ohm
R414	119-4711-15	1/10W 470 ohm	R510	119-1031-15	1/10W 10k ohm	R626	119-4731-15	1/10W 47k ohm
R415	119-4711-15	1/10W 470 ohm	R511	119-1051-15	1/10W 1M ohm	R628	119-5621-15	1/10W 5.6k ohm
R416	119-4721-15	1/10W 4.7k ohm	R512	119-1051-15	1/10W 1M ohm	R629	119-5621-15	1/10W 5.6k ohm
R417	119-4721-15	1/10W 4.7k ohm	R513	119-1051-15	1/10W 1M ohm	R630	119-1021-15	1/10W 1k ohm
R418	119-4721-15	1/10W 4.7k ohm	R514	119-1051-15	1/10W 1M ohm	R631	119-1021-15	1/10W 1k ohm
R419	119-4721-15	1/10W 4.7k ohm	R515	119-1031-15	1/10W 10k ohm	R701	119-3321-15	1/10W 3.3k ohm
R420	119-1041-15	1/10W 100k ohm	R516	119-1031-15	1/10W 10k ohm	R702	119-2231-15	1/10W 22k ohm
R421	119-1041-15	1/10W 100k ohm	R517	119-1031-15	1/10W 10k ohm	R703	119-1531-15	1/10W 15k ohm
R424	119-1011-15	1/10W 100 ohm	R518	119-1031-15	1/10W 10k ohm	R704	117-3301-15	1/8W 33 ohm
R425	119-1011-15	1/10W 100 ohm	R519	119-1031-15	1/10W 10k ohm	R705	117-3301-15	1/8W 33 ohm
R426	119-1011-15	1/10W 100 ohm	R520	119-1031-15	1/10W 10k ohm	R706	119-1531-15	1/10W 15k ohm
R427	119-1011-15	1/10W 100 ohm	R521	119-1031-15	1/10W 10k ohm	R707	119-2231-15	1/10W 22k ohm
R428	119-1031-15	1/10W 10k ohm	R522	119-1031-15	1/10W 10k ohm	R708	119-3321-15	1/10W 3.3k ohm
R429	119-1031-15	1/10W 10k ohm	R523	119-1031-15	1/10W 10k ohm	R709	119-5631-15	1/10W 56k ohm
R430	119-4721-15	1/10W 4.7k ohm	R524	119-1031-15	1/10W 10k ohm	R710	119-5631-15	1/10W 56k ohm
R431	119-1021-15	1/10W 1k ohm	R526	116-3911-15	1/4W 390 ohm	R711	119-1031-15	1/10W 10k ohm
R432	119-1021-15	1/10W 1k ohm	R527	116-1221-15	1/4W 1.2k ohm	R712	119-1031-15	1/10W 10k ohm
R433	119-4721-15	1/10W 4.7k ohm	R528	116-8211-15	1/4W 820 ohm	R713	119-2231-15	1/10W 22k ohm
R434	119-1021-15	1/10W 1k ohm	R529	116-1221-15	1/4W 1.2k ohm	R714	117-3301-15	1/8W 33 ohm
R435	116-6201-15	1/4W 62 ohm	R530	116-1221-15	1/4W 1.2k ohm	R715	117-3301-15	1/8W 33 ohm
R436	119-1031-15	1/10W 10k ohm	R531	119-1031-15	1/10W 10k ohm	R716	119-2231-15	1/10W 22k ohm
R437	116-6201-15	1/4W 62 ohm	R532	116-8211-15	1/4W 820 ohm	R717	119-3321-15	1/10W 3.3k ohm
R438	119-4731-15	1/10W 47k ohm	R533	119-1031-15	1/10W 10k ohm	R718	119-2231-15	1/10W 22k ohm
R439	119-1021-15	1/10W 1k ohm	R534	116-1221-15	1/4W 1.2k ohm	R719	119-1531-15	1/10W 15k ohm
R440	119-1021-15	1/10W 1k ohm	R535	119-4721-15	1/10W 4.7k ohm	R720	117-3301-15	1/8W 33 ohm
R441	119-0000-05	1/10W 0 ohm JW	R536	119-4731-15	1/10W 47k ohm	R721	117-3301-15	1/8W 33 ohm
R443	119-1031-15	1/10W 10k ohm	R537	116-4721-15	1/4W 4.7k ohm	R722	119-1531-15	1/10W 15k ohm
R444	119-4731-15	1/10W 47k ohm	R538	119-2731-15	1/10W 27k ohm	R723	119-2231-15	1/10W 22k ohm
R445	119-1031-15	1/10W 10k ohm	R540	119-1521-15	1/10W 1.5k ohm	R724	119-3321-15	1/10W 3.3k ohm
R446	119-4731-15	1/10W 47k ohm	R541	119-1031-15	1/10W 10k ohm	R725	119-5631-15	1/10W 56k ohm
R447	119-1021-15	1/10W 1k ohm	R542	032-0140-03	1/10W 220k ohm F	R726	119-5631-15	1/10W 56k ohm
R448	119-4731-15	1/10W 47k ohm	R543	032-0140-19	1/10W 75k ohm F	R727	119-1031-15	1/10W 10k ohm
R449	119-4731-15	1/10W 47k ohm	R546	-----	(N/A)	R728	119-1031-15	1/10W 10k ohm
R450	119-4731-15	1/10W 47k ohm	R548	119-2241-15	1/10W 220k ohm	R729	119-2231-15	1/10W 22k ohm
R451	119-4731-15	1/10W 47k ohm	R551	119-1031-15	1/10W 10k ohm	R730	117-3301-15	1/8W 33 ohm
R452	119-4731-15	1/10W 47k ohm	R552	032-0140-16	1/10W 180k ohm F	R731	117-3301-15	1/8W 33 ohm
R453	119-1011-15	1/10W 100 ohm	R553	032-0148-50	1/10W 100k ohm D	R732	119-2231-15	1/10W 22k ohm
R454	119-1011-15	1/10W 100 ohm	R554	032-0140-51	1/10W 15k ohm F	SUP101	060-0122-91	DSP-141N-S00B
R456	119-4721-15	1/10W 4.7k ohm	R555	116-2721-15	1/4W 2.7k ohm	SUP102	060-0122-91	DSP-141N-S00B
R457	119-4721-15	1/10W 4.7k ohm	R556	116-1531-15	1/4W 15k ohm	TC401	004-1580-10	30pF GRN
R458	119-1041-15	1/10W 100k ohm	R557	-----	(N/A)	TH101	002-0229-00	PTH8L05
R459	119-1011-15	1/10W 100 ohm	R558	119-2221-15	1/10W 2.2k ohm			
R460	-----	(N/A)	R559	116-1531-15	1/4W 15k ohm	TM101	073-0762-90	BAIR8M1B
R461	119-2231-15	1/10W 22k ohm	R560	116-4791-15	1/4W 4.7 ohm	TM102	073-0762-90	TERMINAL
R462	119-1041-15	1/10W 100k ohm	R561	116-4791-15	1/4W 4.7 ohm	TM501	073-0762-90	TERMINAL
R463	-----	(N/A)	R562	119-1031-15	1/10W 10k ohm	TM502	073-0762-90	TERMINAL
R464	-----	(N/A)	R563	-----	(N/A)	TM601	073-0762-90	TERMINAL
R465	-----	(N/A)	R564	119-5611-15	1/10W 560 ohm	X301	061-3537-90	41.6MHz
R466	032-0140-15	1/10W 6.8k ohm F	R565	119-1031-15	1/10W 10k ohm	X401	061-3541-90	10.00MHz
R467	032-0140-15	1/10W 6.8k ohm F	R566	119-3321-15	1/10W 3.3k ohm	X402	061-1066-00	7.2MHz
R468	119-4731-15	1/10W 47k ohm	R567	119-2231-15	1/10W 22k ohm	PWB	039-3204-00	PWB(WITHOUT COMPONENTS)
R469	032-0140-15	1/10W 6.8k ohm F	R568	-----	(N/A)			
R470	032-0140-15	1/10W 6.8k ohm F	R569	119-0000-05	1/10W 0 ohm JW			

SW PWB(B2) section

REF NO.	PART NO.	DESCRIPTION	REF NO.	PART NO.	DESCRIPTION	REF NO.	PART NO.	DESCRIPTION
D701	001-9210-50	AVR- M1608C270MTAAD	D735	-----	(N/A)	J701	075-0390-00	JACK
D702	001-9210-50	AVR- M1608C270MTAAD	D736	001-7109-90	SML-311DTT86	J702	074-3013-74	24P
D703	001-9210-50	AVR- M1608C270MTAAD	D737	001-7109-90	SML-311DTT86	R701	116-3321-15	1/4W 3.3k ohm
D704	001-9210-50	AVR- M1608C270MTAAD	D738	001-7109-90	SML-311DTT86	R705	116-1021-15	1/4W 1k ohm
D705	001-0516-90	MA111	D739	001-7109-90	SML-311DTT86	R706	116-1821-15	1/4W 1.8k ohm
D706	001-0516-90	MA111	D740	001-7109-90	SML-311DTT86	R707	116-2221-15	1/4W 2.2k ohm
D707	001-0516-90	MA111	D741	001-7109-90	SML-311DTT86	R709	116-2721-15	1/4W 2.7k ohm
D708	001-0516-90	MA111	D742	-----	(N/A)	R710	116-2221-15	1/4W 2.2k ohm
D709	001-0516-90	MA111	D743	001-7109-90	SML-311DTT86	R711	116-4711-15	1/4W 470 ohm
D710	001-0516-90	MA111	D744	001-7109-90	SML-311DTT86	R713	116-2221-15	1/4W 2.2k ohm
D711	001-0516-90	MA111	D745	001-7109-90	SML-311DTT86	R714	116-1521-15	1/4W 1.5k ohm
D712	001-0516-90	MA111	D746	001-7109-90	SML-311DTT86	R715	116-1521-15	1/4W 1.5k ohm
D713	001-7109-90	SML-311DTT86	D747	-----	(N/A)	R716	116-1521-15	1/4W 1.5k ohm
D714	001-7109-90	SML-311DTT86	D748	001-7109-90	SML-311DTT86	R717	116-1821-15	1/4W 1.8k ohm
D715	001-7109-90	SML-311DTT86	D749	001-7109-90	SML-311DTT86	R718	116-1821-15	1/4W 1.8k ohm
D716	001-7109-90	SML-311DTT86	D750	001-7109-90	SML-311DTT86	R719	116-1821-15	1/4W 1.8k ohm
D717	001-7109-90	SML-311DTT86	D751	001-7109-90	SML-311DTT86	R720	116-1221-15	1/4W 1.2k ohm
D720	001-7109-90	SML-311DTT86	D752	-----	(N/A)	R721	116-1221-15	1/4W 1.2k ohm
D721	001-7109-90	SML-311DTT86	D753	001-7109-90	SML-311DTT86	R722	116-1221-15	1/4W 1.2k ohm
D722	001-7109-90	SML-311DTT86	D754	001-7109-90	SML-311DTT86	R723	116-1221-15	1/4W 1.2k ohm
D723	001-7109-90	SML-311DTT86	D755	-----	(N/A)	R724	116-1521-15	1/4W 1.5k ohm
D724	001-7109-90	SML-311DTT86	D756	001-7109-90	SML-311DTT86	S701	013-6202-52	SKPMBJE010
D725	001-7109-90	SML-311DTT86	D757	001-7109-90	SML-311DTT86	S702	013-6202-52	SKPMBJE010
D728	001-7109-90	SML-311DTT86	D758	001-7109-90	SML-311DTT86	S703	013-6202-52	SKPMBJE010
D729	001-7109-90	SML-311DTT86	D759	001-7109-90	SML-311DTT86	S704	013-6202-52	SKPMBJE010
D730	001-7109-90	SML-311DTT86	D760	001-0516-90	MA111	S705	013-6202-52	SKPMBJE010
D731	001-7109-90	SML-311DTT86	D761	001-0516-90	MA111	S706	013-6202-52	SKPMBJE010
D732	-----	(N/A)	D762	001-7109-90	SML-311DTT86	S707	013-6202-52	SKPMBJE010
D733	-----	(N/A)				S708	013-6202-52	SKPMBJE010
D734	-----	(N/A)				S709	013-6202-52	SKPMBJE010
						S710	013-6202-52	SKPMBJE010
						S711	013-6202-52	SKPMBJE010
						S712	013-6202-52	SKPMBJE010
						S713	013-6202-52	SKPMBJE010
						S714	013-6202-52	SKPMBJE010
						S715	013-6202-52	SKPMBJE010
						S716	013-6202-52	SKPMBJE010
						TM701	-----	(N/A)
						TM702	-----	(N/A)
						TM703	-----	(N/A)
						TM704	-----	(N/A)
						TM705	-----	(N/A)
						VR701	016-0018-23	ROTALY
								ENCODER
						VR702	016-0024-07	ROTALY
								ENCODER
						PWB	039-3156-01	PWB(WITHOUT COMPONENTS)

EXPLODED VIEW/PARTS LIST

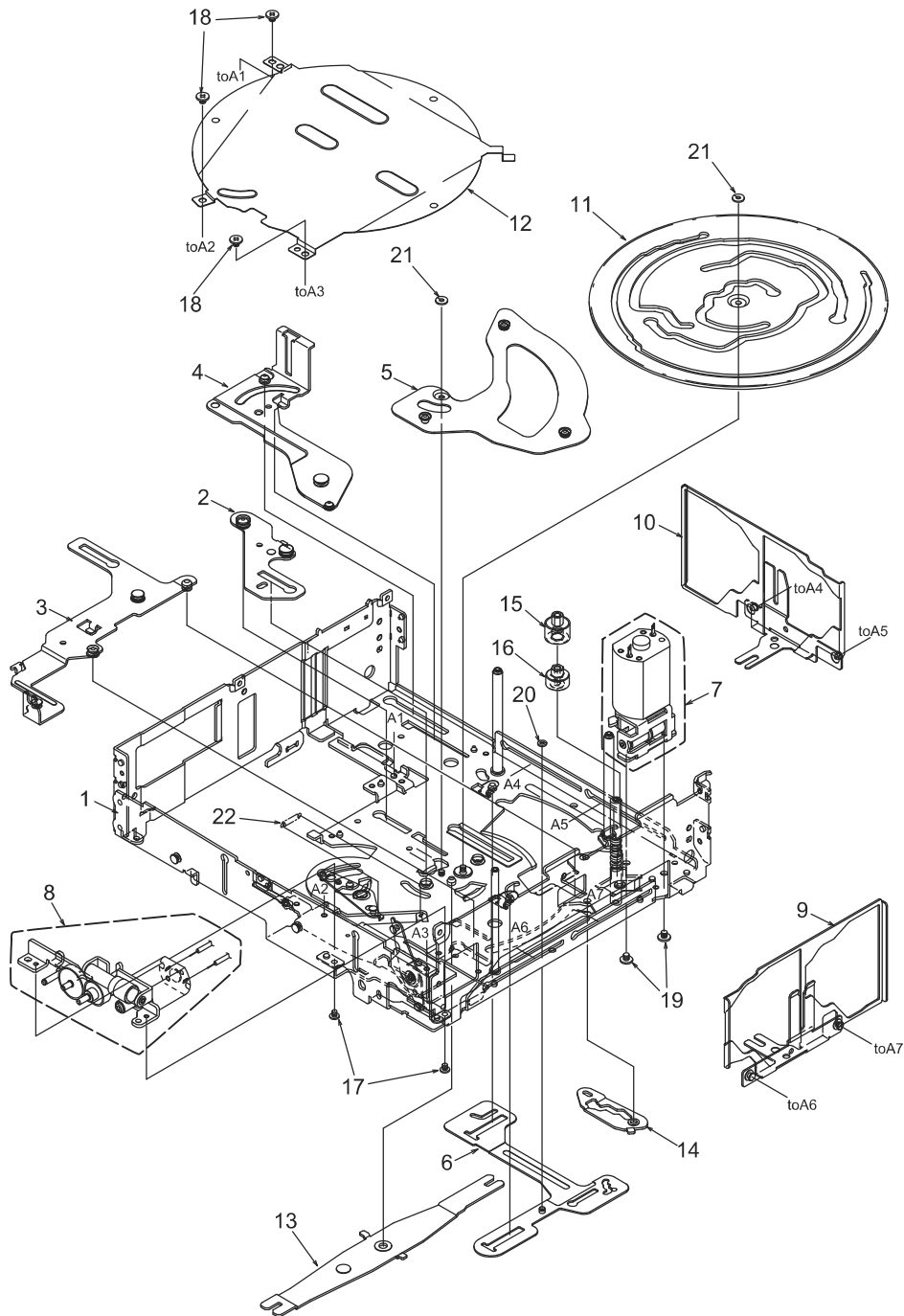
Main section



* Do not reuse the following parts.
(No.26,27,28,32,31,34,35)

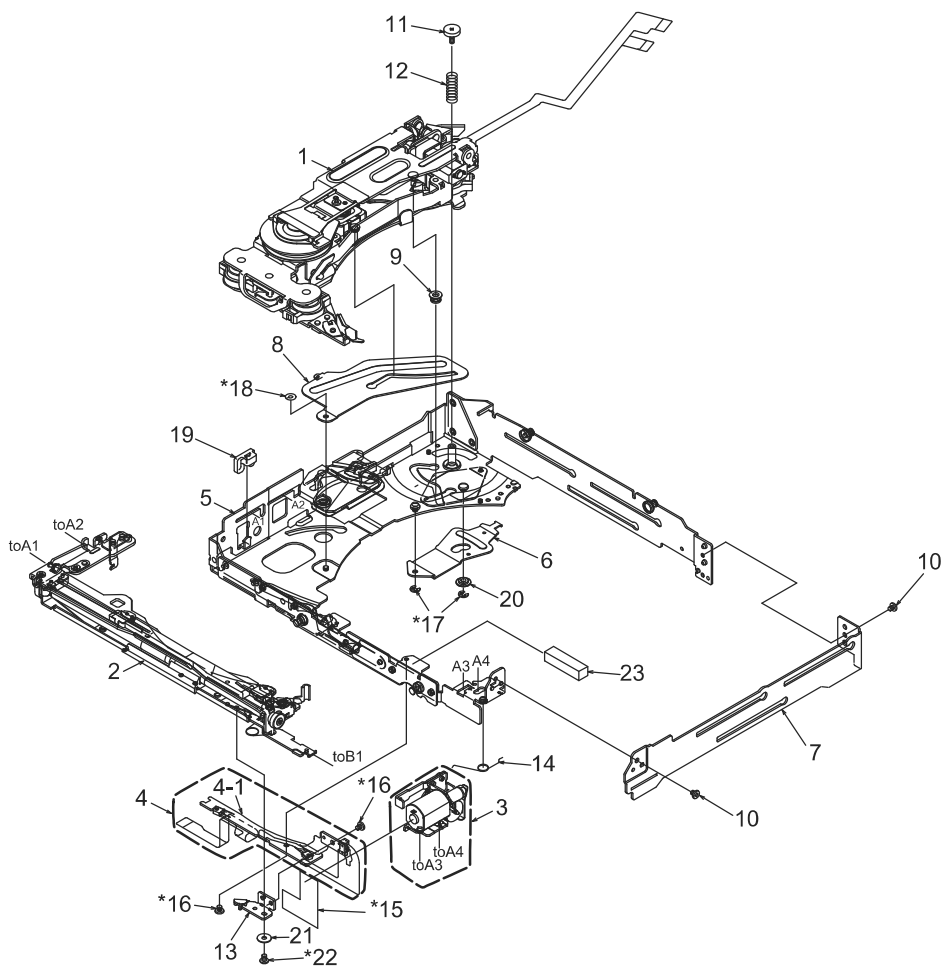
NO.	PART NO.	DESCRIPTION	Q'TY	NO.	PART NO.	DESCRIPTION	Q'TY
1	-----	LOWER UNIT ASSY	1	20	621-1812-20	SW LINK	1
2	HBS-617-100	KUSABI-ASSY-S	1	21	621-1765-21	UD-GEAR-D	1
3	HBS-618-100	KUSABI-ASSY-R	1	22	621-1715-20	FPC-STOPPER	1
4	966-1846-20	DS-SP-ASSY L	1	23	621-1763-20	LOADING GUIDE B	1
5	966-1847-21	DS-SP ASSY R	1	24	716-1850-01	SCREW(M2.0x2)	4
6	966-1898-21	DISC STP-ASSY L	1	25	716-3598-00	SCREW(M2.0x4)	1
7	966-1899-20	DRIVE-CH UNIT	1	26	716-3599-00	SCREW(M2.0x2 sealock)	1
8	966-1840-23	UPPER UNIT ASSY	1	27	716-3600-00	SCREW(M2.0x3 sealock)	1
9	HBS-602-100	DISCHOLDER UNIT	1	28	716-3601-00	SCREW(M1.7x2 sealock)	1
10	966-1771-21	SLIDE-P-ASSY	1	29	716-3450-00	SCREW(M1.7x2.0)	2
11	966-1814-21	SLIDE-P-ASSY-R	1	30	716-3451-01	SCREW(M1.7x2.5)	8
12	966-1874-20	REAR-P-ASSY R	1	31	744-0045-01	C-RING	2
13	HBS-658-100	CD PWB ASSY	1	32	746-0761-00	WASHER	1
14	620-1662-21	GAP PLATE R	1	33	345-5824-00	RUBBER PART	1
15	620-1640-20	SW-H-PLATE	1	34	347-8230-00	PROTECT SHEET	2
16	620-1778-21	GAP PLATE F	1	35	347-8219-00	FPC-SHEET N	1
17	620-1685-21	DS-PLATE L	1	36	800-4921-60	VINYL-COAT-WIRE	1
18	620-1686-20	DS-PLATE R	1	37	802-4921-60	VINYL-COAT-WIRE	1
19	621-1819-20	DISC STOPPER R	1	38	293-8575-00	MECH LABEL	1

Lower unit assy section



NO.	PART NO.	DESCRIPTION	Q'TY	NO.	PART NO.	DESCRIPTION	Q'TY
1	966-1834-24	LOWER-C-ASSY	1	12	620-1624-24	GEAR COVER	1
2	966-0658-22	DH-SP-ASSY	1	13	620-1848-21	UD LINK	1
3	966-1836-22	TATSU-P-ASSY	1	14	620-1869-20	DS-SHIFT LINK	1
4	966-1832-20	D-SHT PL-B-ASSY	1	15	621-1811-21	M-GEAR B	1
5	966-0659-22	DH-SP-ASSY B	1	16	621-0733-21	M-GEAR C	1
6	966-1835-24	DS-SP-ASSY	1	17	716-3451-01	SCREW(M1.7x2.5)	2
7	HBS-622-100	M-MTR SUB ASSY	1	18	716-1850-01	SCREW(M2.0x2.0)	3
8	HBS-616-100	UD-MOTOR-ASSY	1	19	716-1851-03	SCREW(M2.0x3.0)	2
9	966-1872-20	INITIAL ASSY S	1	20	746-0870-00	WASHER	1
10	966-1873-20	INITIAL ASSY R	1	21	746-0768-00	WASHER	2
11	620-1623-24	CAM GEAR	1	22	750-6756-21	SW-L-SPRING	1

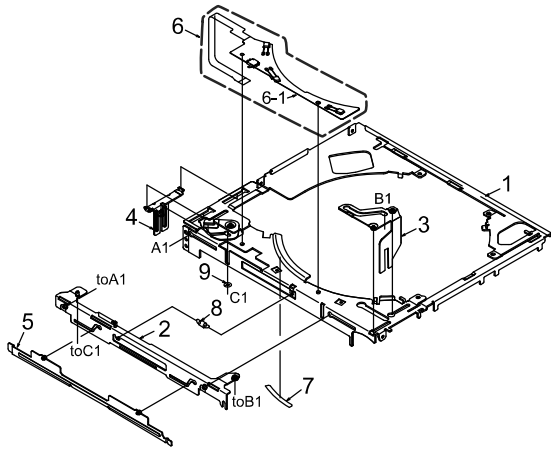
Drive-CH unit section



* Do not reuse the following parts.
(No.15,16,17,18,22)

NO.	PART NO.	DESCRIPTION	Q'TY	NO.	PART NO.	DESCRIPTION	Q'TY
1	HBS-656-100	N-DRIVE UNIT	1	12	750-6852-20	DRIVE SPRING A	1
2	HBS-612-100	LOADING-U-ASSY	1	13	620-1831-21	S-PWB PLATE	1
3	HBS-615-100	LO-MOTOR-S-ASSY	1	14	750-6754-20	LO-ES-SPRING B	1
4	HBS-614-100	L-SEN-FPC-ASSY	1	15	345-5424-01	SEN-FPC GUIDE	1
4-1	-----	SENSOR-L-FPC	1	16	716-3601-00	SCREW(M1.7x2 sealock)	2
5	966-1828-22	DRIVE-CH A-ASSY	1	17	743-1500-1B	E-RING	2
6	620-1838-21	D-SHIFT LINK A	1	18	746-0870-00	WASHER	1
7	620-1837-20	DRIVE CHASSIS B	1	19	621-1807-00	RUBBER PART	1
8	620-1836-20	DR-SUPPORT-PL	1	20	622-1850-20	D-SHIFT ROLLERE	1
9	622-1743-21	D-SHIFT ROLLER B	1	21	347-8392-00	FPC WASHER	1
10	716-3450-00	SCREW(M1.7x2)	2	22	716-3451-02	SCREW(M1.7x2.5 sealock)	1
11	716-3603-00	SCREW(M1.7x5)	1	23	345-5868-01	RUBBER PART	1

Upper unit assy section



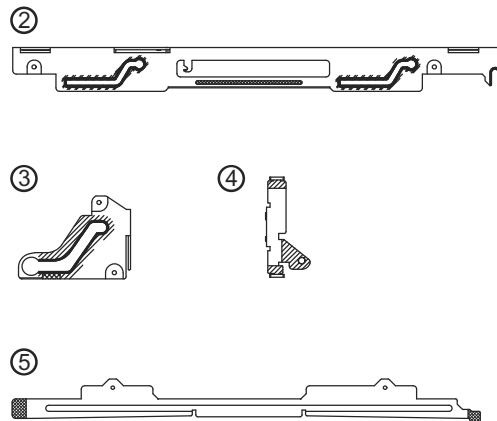
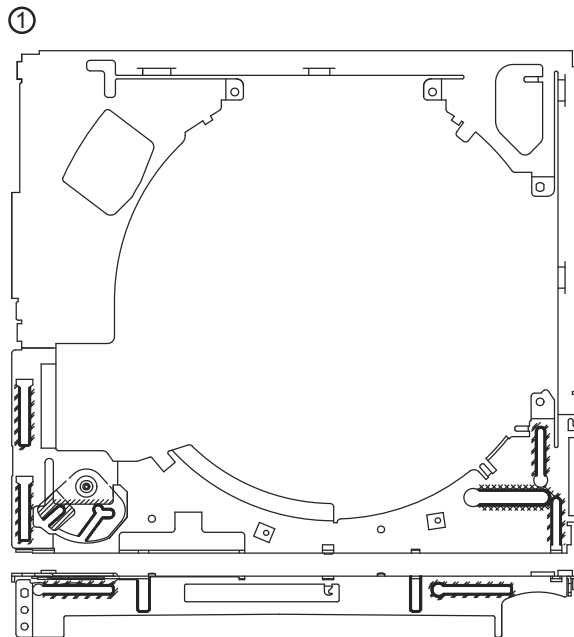
* Do not reuse the following parts.
(No.6,7,9)

NO.	PART NO.	DESCRIPTION	Q'TY
1	966-1823-21	UPPER-CHA-ASSY	1
2	966-1824-20	LO-SHIFT A ASSY	1
3	966-1791-20	LO-SHIFT B ASSY	1
4	966-1825-20	LO-SHIFT C ASSY	1
5	966-1826-20	SHUTTER ASSY	1
6	HBS-613-100	U-SEN-FPC-ASSY	1
6-1	-----	SENSOR-U-FPC	1
7	347-8216-00	RATTLE SHEET	1
8	750-6850-21	SHUTTER SPRING	1
9	746-0870-00	WASHER	1

[Grease Point]

* Grease : SANKOL FG-87HSR

	Put grease on the surface	
	Put grease on the reverse side	
	Put grease on the both sides	
	Put grease on the edge	



ELECTRICAL PARTS LIST

CD PWB(BM1) section

* The parts of the same reference number are alternative

REF No.	PART No.	DESCRIPTION	REF No.	PART No.	DESCRIPTION	REF No.	PART No.	DESCRIPTION
C1	168-1052-78	16V 1uF K	C75	168-1042-78	16V 0.1uF K	R13	119-1011-15	1/10W 100 ohm
C3	168-1042-78	16V 0.1uF K	C76	168-5622-55	5600pF K	R14	119-2231-15	1/10W 22k ohm
C4	043-0559-90	6.3V 22uF	C77	168-1032-55	0.01uF K	R15	119-8231-15	1/10W 82k ohm
C5	168-1032-55	0.01uF K	C79	166-1501-50	15pF CH	R16	119-1041-15	1/10W 100k ohm
C6	042-1702-90	6.3V 100uF	C80	166-1501-50	15pF CH	R17	119-1041-15	1/10W 100k ohm
C7	168-1052-78	16V 1uF K	C81	168-3332-78	0.033uF K	R18	119-1041-15	1/10W 100k ohm
C9	168-1052-78	16V 1uF K	C101	043-0563-90	16V 47uF	R19	119-1041-15	1/10W 100k ohm
C11	168-1052-78	16V 1uF K	CCT1	050-0145-59	1/16W 22 ohm x4	R20	119-1041-15	1/10W 100k ohm
C12	042-0671-01	10V 47uF TA	CCT2	050-0145-54	1/16W 47k ohm x4	R21	119-2221-15	1/10W 2.2k ohm
C13	168-1052-78	16V 1uF K	CCT3	050-0145-54	1/16W 47k ohm x4	R22	119-4711-15	1/10W 470 ohm
C14	168-1042-78	16V 0.1uF K	CCT4	050-0145-55	1/16W 10k ohm x4	R23	119-1051-15	1/10W 1M ohm
C15	168-1052-78	16V 1uF K	CCT5	050-0140-55	1/32W 2.2k ohmx4J	R24	119-2211-15	1/10W 220 ohm
C16	043-0559-90	6.3V 22uF	D1	001-4301-14	HZU 3.0B1	R25	119-2211-15	1/10W 220 ohm
C17	168-1032-55	0.01uF K	D1	001-0529-14	MA8030-L	R26	119-1041-15	1/10W 100k ohm
C18	168-1052-78	16V 1uF K	D2	001-0367-91	1SS226	R28	119-1041-15	1/10W 100k ohm
C19	043-0559-90	6.3V 22uF	D3	001-4301-13	HZU 2.7B2	R29	119-1041-15	1/10W 100k ohm
C20	168-1042-78	16V 0.1uF K	D3	001-0529-13	MA8027H-TX	R30	119-4701-15	1/10W 47 ohm
C21	168-1032-55	0.01uF K	D4	001-4301-18	HZU 3.6B1	R31	119-2201-15	1/10W 22 ohm
C23	043-0559-90	6.3V 22uF	D4	001-0529-18	MA8036-L	R33	119-2211-15	1/10W 220 ohm
C24	043-0559-90	6.3V 22uF	D5	001-2612-90	RB520S-30	R35	119-1051-15	1/10W 1M ohm
C25	168-4732-78	0.047uF K	D6	001-2612-90	RB520S-30	R36	119-4721-15	1/10W 4.7k ohm
C26	166-4711-50	470pF CH	D7	001-9210-50	AVR-	R37	119-4731-15	1/10W 47k ohm
C28	168-4732-78	0.047uF K			M1608C270MTAAD	R38	119-2231-15	1/10W 22k ohm
C29	166-4711-50	470pF CH	D8	001-9210-50	AVR-	R39	119-1041-15	1/10W 100k ohm
C30	166-1007-50	10pF CH			M1608C270MTAAD	R40	119-4721-15	1/10W 4.7k ohm
C31	166-1007-50	10pF CH	IC2	052-5071-32	TMP91CY22IFG-7BH6	R41	119-4731-15	1/10W 47k ohm
C32	168-1042-78	16V 0.1uF K				R43	119-4731-15	1/10W 47k ohm
C33	168-2222-55	2200pF K	IC3	051-6733-30	TC94A70FG-010	R44	119-2201-15	1/10W 22 ohm
C34	168-1042-78	16V 0.1uF K	IC4	051-6060-08	BD7961FM-E2	R45	119-1511-15	1/10W 150 ohm
C35	168-1042-78	16V 0.1uF K	IC5	051-5445-08	BD5227G-TR	R46	119-4721-15	1/10W 4.7k ohm
C36	168-1042-78	16V 0.1uF K	IC8	051-9402-78	BR93L56RFVM-W	R48	119-1041-15	1/10W 100k ohm
C37	168-6822-55	6800pF K	IC9	051-6072-08	BD7931FE2	R49	119-0000-05	1/10W 0 ohm JW
C39	168-1042-78	16V 0.1uF K	IC10	051-5833-00	GP1S093HCZ	R50	119-2211-15	1/10W 220 ohm
C40	168-3332-78	0.033uF K	IC11	051-3392-90	S-1323B15NB-N8ATFG	R51	119-0000-05	1/10W 0 ohm JW
C41	168-1042-78	16V 0.1uF K				R52	119-1041-15	1/10W 100k ohm
C42	168-1042-78	16V 0.1uF K	J1	074-1237-69	19P	R53	119-5621-15	1/10W 5.6k ohm
C43	168-1042-78	16V 0.1uF K	J2	074-1201-65	15P	R55	119-3341-15	1/10W 330k ohm
C45	168-1042-78	16V 0.1uF K	J3	074-1138-56	6P	R56	119-4731-15	1/10W 47k ohm
C46	168-1042-78	16V 0.1uF K	J4	074-1100-61	11P	R57	119-2231-15	1/10W 22k ohm
C48	168-1042-78	16V 0.1uF K	J5	074-1201-61	11P	R58	119-0000-05	1/10W 0 ohm JW
C49	168-1042-78	16V 0.1uF K	Q1	060-0252-01	PT4850F	R59	119-1511-15	1/10W 150 ohm
C50	168-1042-78	16V 0.1uF K	Q2	125-0021-91	DTA114EUA	R60	119-4731-15	1/10W 47k ohm
C51	168-1042-78	16V 0.1uF K	Q3	198-3018-00	2SK3018	R61	119-1041-15	1/10W 100k ohm
C52	168-5622-55	5600pF K	Q4	190-2060-00	2SA2060	R62	119-1041-15	1/10W 100k ohm
C53	168-1042-78	16V 0.1uF K	Q8	190-2060-00	2SA2060	R63	119-1041-15	1/10W 100k ohm
C54	166-6801-50	68pF CH	Q9	125-9026-90	IMF29	R64	119-1011-15	1/10W 100 ohm
C55	168-1532-55	0.015uF K	Q10	125-2027-91	DTC114EUA	R65	119-1041-15	1/10W 100k ohm
C56	168-1042-78	16V 0.1uF K	Q11	125-0021-91	DTA114EUA	R66	117-5611-15	1/8W 560 ohm
C57	168-1032-55	0.01uF K	Q12	125-2027-91	DTC114EUA	R67	117-7511-15	1/8W 750 ohm
C58	168-1042-78	16V 0.1uF K	Q13	125-9026-90	IMF29	R68	117-7511-15	1/8W 750 ohm
C59	168-1042-78	16V 0.1uF K	R1	119-6811-15	1/10W 680 ohm	R69	119-1041-15	1/10W 100k ohm
C60	168-1522-55	1500pF K	R2	119-6811-15	1/10W 680 ohm	R81	116-1591-15	1/4W 1.5 ohm
C61	168-3322-55	3300pF K	R3	032-0163-91	1/2W 10 ohm	R201	119-0000-05	1/10W 0 ohm JW
C62	168-1032-55	0.01uF K	R4	032-0163-91	1/2W 10 ohm	R212	119-1041-15	1/10W 100k ohm
C64	168-1042-78	16V 0.1uF K	R5	119-2231-15	1/10W 22k ohm	S1	013-7416-50	SPVL110200
C65	168-1032-55	0.01uF K	R6	116-1001-15	1/4W 10 ohm	S2	013-7416-50	SPVL110200
C67	168-1032-55	0.01uF K	R7	119-1021-15	1/10W 1k ohm	S3	013-7412-50	SPVG21
C69	168-1532-55	0.015uF K	R8	116-1591-15	1/4W 1.5 ohm	S4	013-7415-50	SPVG110400
C70	166-4701-50	47pF CH	R9	119-2231-15	1/10W 22k ohm	X1	061-3534-90	16.92MHz
C71	168-1042-78	16V 0.1uF K	R10	119-4711-15	1/10W 470 ohm	X3	060-1545-90	20MHz
C72	168-1042-78	16V 0.1uF K	R11	119-2211-15	1/10W 220 ohm	PWB	039-3026-20	PWB(WITHOUT COMPONENT)
C74	166-6097-50	6pF CH	R12	119-6811-15	1/10W 680 ohm			

Sensor-L-PFC(BM2) section

REF No.	PART No.	DESCRIPTION	REF No.	PART No.	DESCRIPTION	REF No.	PART No.	DESCRIPTION
PT1	060-0252-01	PT4850F	PT3	051-5833-00	GP1S093HCZ	PWB	039-3003-20	PWB(WITHOUT COMPONENTS)
PT2	060-0252-01	PT4850F						

Sensor-U-PFC(BM3) section

REF No.	PART No.	DESCRIPTION	REF No.	PART No.	DESCRIPTION	REF No.	PART No.	DESCRIPTION
LED1	001-7077-00	GL4804	LED3	001-7042-00	GL4800	PWB	039-3004-20	PWB(WITHOUT COMPONENTS)
LED2	001-7042-00	GL4800	S5	013-7417-50	ABC1122P161			