

MODEL	MARK	MODEL	MARK	MODEL	MARK	MODEL	MARK
DPX206U	E1	DPX301U	K0	DPX301U	R1	DPX-U5140	A1
DPX-U5140	H1	DPX-U5140	M1				

Safe	Symbol No.	Parts No.	Parts Name	Description	QTY	Local
------	------------	-----------	------------	-------------	-----	-------

EXPLODED VIEW (UNIT) <M1MM>

△	DC1	QAM1623-002	DC CORD		1	K0,R1,A1,H1,M1
△	DC2	QAM1625-002	DC CORD		1	E1
	DME1	FC2-2A00NXN	CD MECHANISM(Made at JEIN)		1	
	DME1	or X92-6820-01	CD MECHANISM(Made at JKEM)		1	
△	F901	FZB10BT-100	BLADE FUSE		1	
	FC1	E3F-0051-00	FLAT CABLE		1	
	PA1	A6D-0027-05	PANEL ASSY		1	E1
	PA1	A6D-0027-02	PANEL ASSY		1	K0,R1
	PA1	A6D-0027-07	PANEL ASSY		1	A1,H1,M1
	RC1	QAL1303-004	REMOCON		1	K0,R1,A1,H1,M1
	A	N80-2005-48	P.HEAD T.SCREW		8	
	B	QYSDSF2006ZA	TAP SCREW	M2 x 6mm	13	
	C	QYSDST2604ZA	TAP SCREW	M2.6 x 4mm	2	
	D	QYSDST2606ZA	TAP SCREW	M2.6 x 6mm	3	
	E	GE40377-002A	SPECIAL SCREW		2	
	F	QYSDST2610ZA	TAP SCREW	M2.6 x 10mm	4	
	G	GE40377-005A	SPECIAL SCREW		2	
	H	QYSDSF2608ZA	TAP SCREW	M2.6 x 8mm	1	
	J	QYSDSG3006ZA	TAP SCREW	M3 x 6mm	1	
	K	QYSDST2606ZA	TAP SCREW	M2.6 x 6mm	1	K0,R1
	254	B07-3377-03	ESCUTCHEON		1	
	256	B19-2624-03	LIGHTING BOARD		1	
	257	B19-2625-03	LIGHTING BOARD		1	
	258	B19-2626-01	LIGHTING BOARD		1	
	259	B19-2627-03	LIGHTING BOARD		1	
	260	B19-2628-13	LIGHTING BOARD		1	
	261	F07-2266-12	COVER		1	
	263	K24-5209-03	PUSH KNOB		1	
	264	K24-5210-13	PUSH KNOB		1	
	265	K24-5212-13	PUSH KNOB		1	
	266	K24-5215-12	PUSH KNOB		1	E1,K0,R1
	266	K24-5245-12	PUSH KNOB		1	A1,H1,M1
	267	K24-5217-02	PUSH KNOB		1	E1,K0,R1
	267	K24-5246-02	PUSH KNOB		1	A1,H1,M1
	268	K25-3145-03	PUSH KNOB		1	
	269	K25-3146-03	PUSH KNOB		1	
	270	K2F-0018-00	PUSH KNOB		1	
	271	K25-3149-02	PUSH KNOB		1	
	272	B19-2641-04	LIGHTING BOARD		1	
	273	K2K-0127-00	KNOB		1	K0,R1,A1,H1,M1
	274	GE40127-005A	KNOB SPRING		1	K0,R1,A1,H1,M1
	281	E2K-0015-00	CONDUCT RUBBER		1	
	282	E2K-0016-00	CONDUCT RUBBER		1	
	283	K28-0530-13	KNOB ASSY		1	E1
	351	GE20366-001A	TRIM PLATE		1	E1
	352	B07-3385-01	ESCUTCHEON		1	A1,H1,M1
	353	LV22876-001A	SLEEVE ASSY		1	E1,K0,R1
	354	LV45516-001A	LEVER		2	E1,K0,R1
	355	QYSDSP5008ZA	SCREW	M5 x 8mm	6	A1,H1,M1
	356	QYSSP5008ZA	SCREW	M5 x 8mm	6	A1,H1,M1
	501	B5A-0340-00	INST.MANUAL	ENG GER RUS UKR	1	E1
	501	B5A-0233-10	INST.MANUAL	ENG FRE SPA	1	K0
	501	B5A-0339-00	INST.MANUAL	POR(LATIN AMERICA)	1	R1
	501	B5A-0342-00	INST.MANUAL	INDO	1	A1
	501	B5A-0341-00	INST.MANUAL	ENG ARA	1	H1,M1
	502	B5A-0340-01	INST.MANUAL	FRE SPA ITA POR(EUROPE) DUT	1	E1

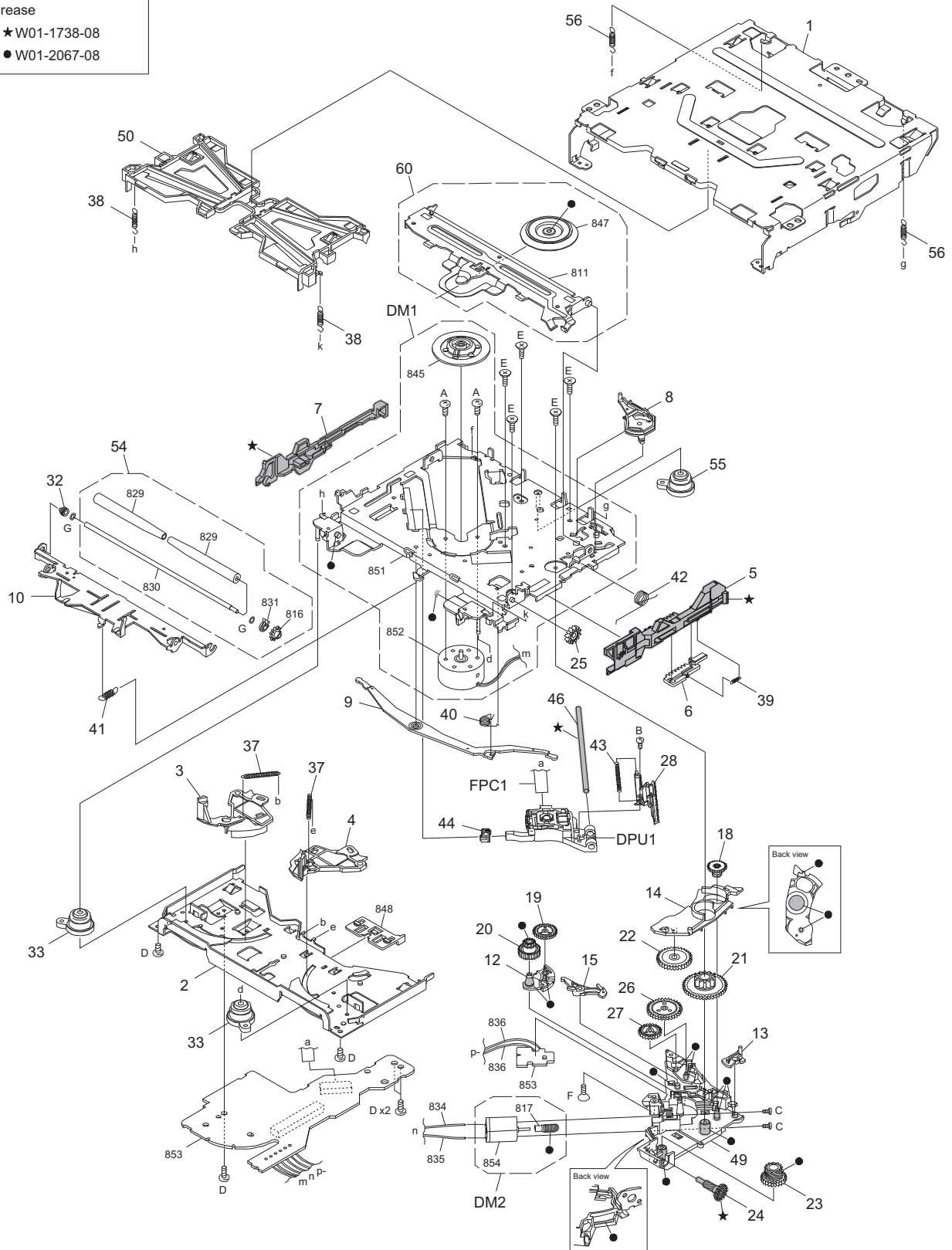
EXPLODED VIEW (CD MECHANISM: FC2-2A00NXN)

Block No.MBMM

The differences between X92-6820-01 and FC2-2A00NXN,
please refer to SECTION 2 "How to identify the CD mechanism ASSY".

Grease

- ★ W01-1738-08
- W01-2067-08



Parts with the exploded numbers larger than 800 are not supplied.

MODEL	MARK	MODEL	MARK	MODEL	MARK	MODEL	MARK
DPX206U	E1	DPX301U	K0	DPX301U	R1	DPX-U5140	A1
DPX-U5140	H1	DPX-U5140	M1				

Safe	Symbol No.	Parts No.	Parts Name	Description	QTY	Local
------	------------	-----------	------------	-------------	-----	-------

EXPLODED VIEW (CD MECHANISM: FC2-2A00NXN) <MBMM>

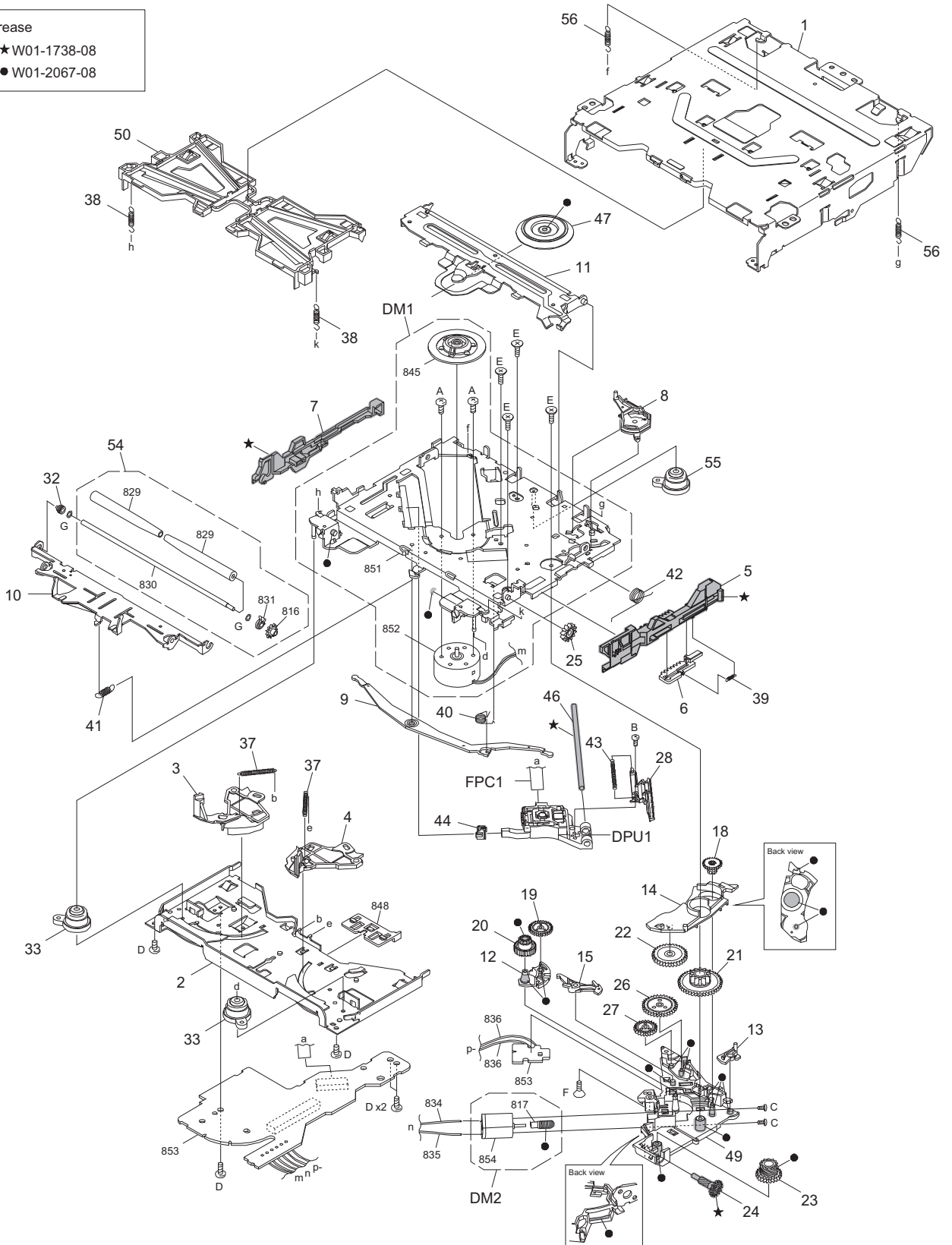
	DM1	CM-FC2-MD	MD CHASSIS ASSY		1	
	DM2	CM-FC2-M	LOADING MOTOR ASSY		1	
△	DPU1	QAL1521-001	PICK UP		1	
	FPC1	QAL1465-001	FPC		1	
	A	LV45568-001A	MINI SCREW		2	
	B	QYSPSGT1745ZA	TAP SCREW	M1.7 x 4.5mm	1	
	C	QYSPSPT2025MA	SCREW	M2 x 2.5mm	2	
	D	VKZ4539-054	MINI SCREW		5	
	E	LV45818-001A	G.HOLDER SCREW		5	
	F	LV45815-001A	M. SHAFT SCREW		1	
	G	LV45816-001A	ROLLER WASHER		2	
	1	LV11877-003A	OUTER CHASSIS		1	
	2	LV11878-002A	LOWER CHASSIS		1	
	3	LV3A174-001A	DISC ARM L		1	
	4	LV3A175-001A	DISC ARM R		1	
	5	LV23057-001A	SLIDER R		1	
	6	LV3A178-001A	TRIGGER SLIDER		1	
	7	LV23058-001A	SLIDER L		1	
	8	LV3A179-002A	TRIGGER ARM		1	
	9	LV3A173-001A	JOINT LEVER		1	
	10	LV23055-002A	ROLLER LEVER		1	
	12	LV3A181-001A	TRANSFER ARM		1	
	13	LV45797-002A	SL LOCK CAM		1	
	14	LV3A182-003A	SL LOCK ARM		1	
	15	LV3A183-001A	PICK LOCK ARM		1	
	18	LV3A187-002A	HELICAL GEAR 1		1	
	19	LV3A188-001A	TRANSFER GEAR		1	
	20	LV3A189-001A	LOAD GEAR H		1	
	21	LV3A190-001A	DRIVE GEAR		1	
	22	LV3A191-001A	JOINT GEAR		1	
	23	LV3A192-001A	WORM GEAR 2		1	
	24	LV3A193-001A	HELICAL GEAR 2		1	
	25	LV3A194-001A	LOAD GEAR V		1	
	26	LV3A195-001A	PICK GEAR 1		1	
	27	LV3A196-001A	PICK GEAR 2		1	
	28	LV3A197-001A	RACK GEAR		1	
	32	LV45796-001A	R.RETAINER L		1	
	33	D39-0403-05	DAMPER		2	
	37	LV45808-001A	DISC ARM SPRING		2	
	38	LV45809-001A	FLOAT SPRING(F)		2	
	39	LV45810-001A	TRIGGER SPRING		1	
	40	LV45811-001A	LOAD SPRING		1	
	41	LV45812-001A	ROLLER SPRING		1	
	42	LV45813-001A	CLAMP SPRING		1	
	43	LV45814-001A	PICK SPRING		1	
	44	LV36813-201A	SUB GUIDE CAP		1	
	46	LV44555-001A	MAIN SHAFT		1	
	49	LV11881-002A	GEAR HOLDER		1	
	50	LV11880-003A	DISC GUIDE		1	
	54	CM-FC2-R	ROLLER ASSY		1	
	55	D39-0404-05	DAMPER		1	
	56	LV45835-001A	FLOAT SPRING(R)		2	
	60	LV3A271-001A	CL BASE ASSY		1	

EXPLODED VIEW (CD MECHANISM: X92-6820-01)

Block No.MCMM

The differences between X92-6820-01 and FC2-2A00NXN,
please refer to SECTION 2 "How to identify the CD mechanism ASSY".

Grease
 ★ W01-1738-08
 ● W01-2067-08



Parts with the exploded numbers larger than 800 are not supplied.

MODEL	MARK	MODEL	MARK	MODEL	MARK	MODEL	MARK
DPX206U	E1	DPX301U	K0	DPX301U	R1	DPX-U5140	A1
DPX-U5140	H1	DPX-U5140	M1				

Safe	Symbol No.	Parts No.	Parts Name	Description	QTY	Local
------	------------	-----------	------------	-------------	-----	-------

EXPLODED VIEW (CD MECHANISM: X92-6820-01) <MCMM>

	DM1	CM-FC2-MD	MD CHASSIS ASSY		1	
	DM2	CM-FC2-M	LOADING MOTOR ASSY		1	
△	DPU1	QAL1521-001	PICK UP		1	
	FPC1	QAL1465-001	FPC		1	
	A	LV45568-001A	MINI SCREW		2	
	B	QYSPSGT1745ZA	TAP SCREW	M1.7 x 4.5mm	1	
	C	QYSPSPT2025MA	SCREW	M2 x 2.5mm	2	
	D	N09-6108-15	TAPTITE SCREW		5	
	E	N09-6738-15	TAPTITE SCREW		4	
	F	N09-6921-05	TAPTITE SCREW		1	
	G	N19-2356-04	FLAT WASHER		2	
	1	A10-5625-21	OUTER CHASSIS		1	
	2	A10-5626-01	LOWER CHASSIS		1	
	3	D10-7174-03	DISC ARM L		1	
	4	D10-7175-03	DISC ARM R		1	
	5	D10-7177-02	SLIDER R		1	
	6	D10-7178-03	TRIGGER SLIDER		1	
	7	D10-7179-02	SLIDER L		1	
	8	D10-7180-03	TRIGGER ARM		1	
	9	D10-7181-13	JOINT LEVER		1	
	10	D10-7182-12	ROLLER LEVER		1	
	11	D10-7183-02	CLAMP ARM		1	
	12	D10-7184-03	TRANSFER ARM		1	
	13	D10-7185-04	SL LOCK CAM		1	
	14	D10-7186-03	SL LOCK ARM		1	
	15	D10-7187-13	PICK LOCK ARM		1	
	18	D13-3104-04	HELICAL GEAR 1		1	
	19	D13-3105-04	TRANSFER GEAR		1	
	20	D13-3106-04	LOAD GEAR H		1	
	21	D13-3107-04	DRIVE GEAR		1	
	22	D13-3108-04	JOINT GEAR		1	
	23	D13-3109-04	WORM GEAR 2		1	
	24	D13-3110-04	HELICAL GEAR 2		1	
	25	D13-3111-04	LOAD GEAR V		1	
	26	D13-3112-04	PICK GEAR 1		1	
	27	D13-3113-04	PICK GEAR 2		1	
	28	D13-3114-03	RACK GEAR		1	
	32	D23-0974-14	R.RETAINER L		1	
	33	D39-0403-05	DAMPER F		2	
	37	G01-4810-04	DISC ARM SPRING		2	
	38	G01-4829-04	FLOAT SPRING(F)		2	
	39	G01-4813-04	TRIGGER SPRING		1	
	40	G01-4814-04	LOAD SPRING		1	
	41	G01-4815-04	ROLLER SPRING		1	
	42	G01-4816-04	CLAMP SPRING		1	
	43	G01-4817-04	PICK SPRING		1	
	44	LV36813-501A	SUB GUIDE CAP		1	
	46	LV44555-001A	MAIN SHAFT		1	
	47	J11-0692-03	CLAMPER		1	
	49	J19-7360-21	GEAR HOLDER		1	
	50	J90-1209-21	DISC GUIDE		1	
	54	CM-FC2-R	ROLLER ASSY		1	
	55	D39-0404-05	DAMPER R		1	
	56	G01-4812-04	FLOAT SPRING(R)		2	

MODEL	MARK	MODEL	MARK	MODEL	MARK	MODEL	MARK
DPX206U	E1	DPX301U	K0	DPX301U	R1	DPX-U5140	A1
DPX-U5140	H1	DPX-U5140	M1				

Safe	Symbol No.	Parts No.	Parts Name	Description	QTY	Local
MAIN PWB ASSY (XJ1-045x-xx) <01>						
	IC161	TDA7718C	ANALOG IC		1	
△	IC301	JCV8034	IC		1	
	IC411	MFI337S3959-X	IC		1	
△	IC540	MN6627553APA	IC		1	
△	IC601	TEF6657HN-X	IC		1	
△	IC701	R5S726A0D216FP	IC		1	
△	IC821	W3F-0005-00	IC		1	
	IC831	BU4228F-W	IC		1	
	IC841	BR24T02FJ-W-X	IC		1	
	IC851	BU1CTD3WG-W	IC		1	
	IC861	MP9942GJ	ANALOG IC		1	
	IC891	NCP380HSNAJAA-X	IC		1	
△	IC901	LV5685PV-H	ANALOG IC		1	
	IC941	BU33TD3WG-W	IC		1	
	Q250	LTC043TEB-X	DIGI TRANSISTOR		1	
	Q260	LTC043TEB-X	DIGI TRANSISTOR		1	
	Q270	LTA024EEB-X	DIGI TRANSISTOR		1	
	Q271	LSAR523UBFS8	TRANSISTOR		1	
	Q272	LTC024EEB-X	DIGI TRANSISTOR		1	
	Q273	LTA024EEB-X	DIGI TRANSISTOR		1	
	Q320	LTC043TEB-X	DIGI TRANSISTOR		1	
	Q330	LTC043TEB-X	DIGI TRANSISTOR		1	
	Q470	LTC014EEBFS8	DIGI TRANSISTOR		1	K0,R1
	Q471	LTC043TEB-X	DIGI TRANSISTOR		1	K0,R1
	Q540	2SB1197K/QR/-X	TRANSISTOR		1	
	D100	RSB6.8SM-X	BP Z DIODE		1	
	D101	RSB6.8SM-X	BP Z DIODE		1	
	D270	BAW56-TP-X	SI DIODE		1	
	D271	BAW56-TP-X	SI DIODE		1	
	D273	DA2J101	DIODE		1	
	D370	BAW56-TP-X	SI DIODE		1	
	D390	MBRX130	SCHOTTKY DIODE		1	
	D391	MBR0530-X	SB DIODE		1	
	D400	RB521SM-30-X	SB DIODE		1	
	D401	DZ2J051M	ZENER DIODE		1	
	D470	RSB6.8SM-X	BP Z DIODE		1	K0,R1
	D477	RSB6.8SM-X	BP Z DIODE		1	K0,R1
	D478	RSB6.8SM-X	BP Z DIODE		1	K0,R1
	D479	RSB6.8SM-X	BP Z DIODE		1	K0,R1
	D480	RSB6.8SM-X	BP Z DIODE		1	K0,R1
	D481	RSB6.8SM-X	BP Z DIODE		1	K0,R1
	D861	DB22306	SCHOTTKY DIODE		1	
	D902	SK34A-L-X	SB DIODE		1	
	D903	SK34A-L-X	SB DIODE		1	
△	D990	1N5401-BPC04	SI DIODE		1	
	C100	CK73GXR1H104K	C CAPACITOR	0.1uF 50V K	1	
	C101	CK73GGB1H472K	C CAPACITOR	4700pF 50V K	1	
	C102	CK73GGB1H472K	C CAPACITOR	4700pF 50V K	1	
	C103	CK73GXR1C105K	C CAPACITOR	1uF 16V K	1	
	C104	CK73GXR1C105K	C CAPACITOR	1uF 16V K	1	
	C105	CK73GXR1C105K	C CAPACITOR	1uF 16V K	1	
	C161	CK73GXR1A105K	C CAPACITOR	1uF 10V K	1	
	C162	CK73GXR1A105K	C CAPACITOR	1uF 10V K	1	
	C163	CD04AV1V4R7M	E CAPACITOR	4.7uF 35V M	1	
	C164	CD04AV1V4R7M	E CAPACITOR	4.7uF 35V M	1	
	C165	CD04AV1C100M	E CAPACITOR	10uF 16V M	1	
	C167	CK73GXR1A105K	C CAPACITOR	1uF 10V K	1	
	C168	CK73GXR1A105K	C CAPACITOR	1uF 10V K	1	
	C169	CK73GXR1A105K	C CAPACITOR	1uF 10V K	1	
	C171	CK73GXR1A105K	C CAPACITOR	1uF 10V K	1	
	C177	CK73GXR1A105K	C CAPACITOR	1uF 10V K	1	
	C251	CK73EBB1C475K	C CAPACITOR	4.7uF 16V K	1	
	C261	CK73EBB1C475K	C CAPACITOR	4.7uF 16V K	1	
	C303	CC73GCH1H820J	C CAPACITOR	82pF 50V J	1	
	C304	CD04AV1C470M	E CAPACITOR	47uF 16V M	1	
	C312	CK730AV1C105K	C CAPACITOR	1uF 16V K	1	
	C316	CK730AV1C224K	C CAPACITOR	0.22uF 16V K	1	
	C317	CK730AV1C224K	C CAPACITOR	0.22uF 16V K	1	
	C318	CK730AV1C224K	C CAPACITOR	0.22uF 16V K	1	
	C319	CK730AV1C224K	C CAPACITOR	0.22uF 16V K	1	
	C321	CK73EBB1C475K	C CAPACITOR	4.7uF 16V K	1	
	C331	CK73EBB1C475K	C CAPACITOR	4.7uF 16V K	1	
	C368	CK73GXR1A105K	C CAPACITOR	1uF 10V K	1	
	C369	CK73FBB0J475K	C CAPACITOR	4.7uF 6.3V K	1	
	C370	CK73GXR1H104K	C CAPACITOR	0.1uF 50V K	1	
	C390	CK73FBB1H224K	C CAPACITOR	0.22uF 50V K	1	
	C391	CK73FBB1H224K	C CAPACITOR	0.22uF 50V K	1	
	C410	CK73GXR1H104K	C CAPACITOR	0.1uF 50V K	1	
	C472	CK73GXR1H104K	C CAPACITOR	0.1uF 50V K	1	K0,R1
	C473	CK73GXR1A105K	C CAPACITOR	1uF 10V K	1	K0,R1
	C474	CK73GXR1A105K	C CAPACITOR	1uF 10V K	1	K0,R1
	C475	CK73GXR1A105K	C CAPACITOR	1uF 10V K	1	K0,R1
	C540	CK73GXR1H104K	C CAPACITOR	0.1uF 50V K	1	
	C541	CK73GXR1H104K	C CAPACITOR	0.1uF 50V K	1	
	C544	CK73GGB1H103K	C CAPACITOR	0.01uF 50V K	1	
	C545	CK73GGB1H103K	C CAPACITOR	0.01uF 50V K	1	
	C546	CK73GGB1H682K	C CAPACITOR	6800pF 50V K	1	
	C547	CK73GGB1H682K	C CAPACITOR	6800pF 50V K	1	
	C548	CK73FXR1C475K	C CAPACITOR	4.7uF 16V K	1	
	C549	CK73GXR1H104K	C CAPACITOR	0.1uF 50V K	1	

MODEL	MARK	MODEL	MARK	MODEL	MARK	MODEL	MARK
DPX206U	E1	DPX301U	K0	DPX301U	R1	DPX-U5140	A1
DPX-U5140	H1	DPX-U5140	M1				

Safe	Symbol No.	Parts No.	Parts Name	Description	QTY	Local
	C550	CK73GBB1C154K	C CAPACITOR	0.15uF 16V K	1	
	C552	CK73GBB1H682K	C CAPACITOR	6800pF 50V K	1	
	C553	CK73GXR1H104K	C CAPACITOR	0.1uF 50V K	1	
	C555	CK73GBB1H223K	C CAPACITOR	0.022uF 50V K	1	
	C556	CK73GBB1H332K	C CAPACITOR	3300pF 50V K	1	
	C557	CK73GBB1A334K	C CAPACITOR	0.33uF 10V K	1	
	C558	CK73FXR1A475K	C CAPACITOR	4.7uF 10V K	1	
	C559	CK73GXR1H104K	C CAPACITOR	0.1uF 50V K	1	
	C560	CK73GBB1H681K	C CAPACITOR	680pF 50V K	1	
	C561	CK73EBB1A106K	C CAPACITOR	10uF 10V K	1	
	C562	CK73GBB1H153K	C CAPACITOR	0.015uF 50V K	1	
	C563	CK73GXR1H104K	C CAPACITOR	0.1uF 50V K	1	
	C564	CK73GBB1H102K	C CAPACITOR	1000pF 50V K	1	
	C565	CK73GBB1E823K	C CAPACITOR	0.082uF 25V K	1	
	C567	CK73GBB1H102K	C CAPACITOR	1000pF 50V K	1	
	C568	CK73GBB1A334K	C CAPACITOR	0.33uF 10V K	1	
	C570	CK73GXR1H104K	C CAPACITOR	0.1uF 50V K	1	
	C571	CK73GXR1H104K	C CAPACITOR	0.1uF 50V K	1	
	C572	CK73FXR0J106K	C CAPACITOR	10uF 6.3V K	1	
	C573	CK73GXR1H104K	C CAPACITOR	0.1uF 50V K	1	
	C576	CK73GXR1H104K	C CAPACITOR	0.1uF 50V K	1	
	C577	CC73GCH1H100D	C CAPACITOR	10pF 50V D	1	
	C578	CC73GCH1H120J	C CAPACITOR	12pF 50V J	1	
	C579	CK73GXR1H104K	C CAPACITOR	0.1uF 50V K	1	
	C583	CK73GBB1H821K	C CAPACITOR	820pF 50V K	1	
	C584	CK73GBB1H821K	C CAPACITOR	820pF 50V K	1	
	C588	CK73GBB1H681K	C CAPACITOR	680pF 50V K	1	
	C589	CK73GBB1H681K	C CAPACITOR	680pF 50V K	1	
	C601	CK73FXR0J106K	C CAPACITOR	10uF 6.3V K	1	
	C602	CK73FXR0J106K	C CAPACITOR	10uF 6.3V K	1	
	C603	CK73GXR1H104K	C CAPACITOR	0.1uF 50V K	1	
	C604	CK73GBB1H152K	C CAPACITOR	1500pF 50V K	1	
	C605	CK73GBB1H102K	C CAPACITOR	1000pF 50V K	1	
	C606	CC73GCH1H090D	C CAPACITOR	9pF 50V D	1	
△	C607	CC73GCH1H010C	C CAPACITOR	1pF 50V C	1	
	C608	CC73GCH1H102J	C CAPACITOR	1000pF 50V J	1	
	C609	CK73GXR1H104K	C CAPACITOR	0.1uF 50V K	1	
	C610	CC73GCH1H120J	C CAPACITOR	12pF 50V J	1	
△	C611	CC73GCH1H010C	C CAPACITOR	1pF 50V C	1	
	C612	CK73GBB1H103K	C CAPACITOR	0.01uF 50V K	1	
	C614	CC73GCH1H220J	C CAPACITOR	22pF 50V J	1	
	C615	CC73GCH1H330J	C CAPACITOR	33pF 50V J	1	
	C616	CK73GBB1H102K	C CAPACITOR	1000pF 50V K	1	
	C617	CK73GBB1C224K	C CAPACITOR	0.22uF 16V K	1	
	C618	CK73GXR1H104K	C CAPACITOR	0.1uF 50V K	1	
	C619	CK73GXR1H104K	C CAPACITOR	0.1uF 50V K	1	
	C624	CK73GXR1H104K	C CAPACITOR	0.1uF 50V K	1	
	C700	CK73GXR1H104K	C CAPACITOR	0.1uF 50V K	1	
	C701	CK73GXR1H104K	C CAPACITOR	0.1uF 50V K	1	
	C702	CK73GXR1H104K	C CAPACITOR	0.1uF 50V K	1	
	C703	CK73GXR1H104K	C CAPACITOR	0.1uF 50V K	1	
	C704	CK73GXR1H104K	C CAPACITOR	0.1uF 50V K	1	
	C705	CK73GXR1H104K	C CAPACITOR	0.1uF 50V K	1	
	C706	CK73GXR1H104K	C CAPACITOR	0.1uF 50V K	1	
	C707	CC73GCH1H090D	C CAPACITOR	9pF 50V D	1	
	C708	CC73GCH1H090D	C CAPACITOR	9pF 50V D	1	
	C709	CK73GXR1H104K	C CAPACITOR	0.1uF 50V K	1	
	C710	CK73GXR1H104K	C CAPACITOR	0.1uF 50V K	1	
	C711	CK73GBB1H472K	C CAPACITOR	4700pF 50V K	1	
	C712	CK73GXR1H104K	C CAPACITOR	0.1uF 50V K	1	
	C713	CK73GXR1H104K	C CAPACITOR	0.1uF 50V K	1	
	C716	CK73GXR1H104K	C CAPACITOR	0.1uF 50V K	1	
	C717	CK73GXR1H104K	C CAPACITOR	0.1uF 50V K	1	
	C718	CK73GXR1H104K	C CAPACITOR	0.1uF 50V K	1	
	C722	CK73GBB1H472K	C CAPACITOR	4700pF 50V K	1	
	C723	CK73GBB1H472K	C CAPACITOR	4700pF 50V K	1	
	C724	CK73GBB1H472K	C CAPACITOR	4700pF 50V K	1	
	C820	CK73GBB1H472K	C CAPACITOR	4700pF 50V K	1	
	C821	CK73GBB1H471K	C CAPACITOR	470pF 50V K	1	
	C830	CK73GBB1H682K	C CAPACITOR	6800pF 50V K	1	
	C831	CK73GXR1H104K	C CAPACITOR	0.1uF 50V K	1	
	C832	CK73GXR1H104K	C CAPACITOR	0.1uF 50V K	1	
	C840	CK73GBB1C473K	C CAPACITOR	0.047uF 16V K	1	
	C850	CK73GBB1C474K	C CAPACITOR	0.47uF 16V K	1	
	C851	CK73GBB1C474K	C CAPACITOR	0.47uF 16V K	1	
	C852	CD04AS0J101M	E CAPACITOR	100uF 6.3V M	1	
	C860	CK73GXR1H104K	C CAPACITOR	0.1uF 50V K	1	
	C861	CK73EBB1A106K	C CAPACITOR	10uF 10V K	1	
	C862	CK73EBB1A106K	C CAPACITOR	10uF 10V K	1	
	C863	CK73GBB1C224K	C CAPACITOR	0.22uF 16V K	1	
	C864	CK73GXR1H104K	C CAPACITOR	0.1uF 50V K	1	
	C866	CK73EBB1A106K	C CAPACITOR	10uF 10V K	1	
	C867	CK73EBB1A106K	C CAPACITOR	10uF 10V K	1	
	C868	QEZ0850-157Z	E CAPACITOR	150uF	1	
	C869	CK73GBB1C224K	C CAPACITOR	0.22uF 16V K	1	
	C870	CC73GCH1H150J	C CAPACITOR	15pF 50V J	1	
	C891	CK73GXR1H104K	C CAPACITOR	0.1uF 50V K	1	
	C892	CK73GXR1H104K	C CAPACITOR	0.1uF 50V K	1	
	C903	CD04AS1C220M	E CAPACITOR	22uF 16V M	1	
	C904	CK73GXR1A105K	C CAPACITOR	1uF 10V K	1	

MODEL	MARK	MODEL	MARK	MODEL	MARK	MODEL	MARK
DPX206U	E1	DPX301U	K0	DPX301U	R1	DPX-U5140	A1
DPX-U5140	H1	DPX-U5140	M1				

Safe	Symbol No.	Parts No.	Parts Name	Description	QTY	Local
	C905	CD04AR1C471M	E CAPACITOR	470uF 16V M	1	
	C906	CK73GXR1A105K	C CAPACITOR	1uF 10V K	1	
	C907	CD04AS0J101M	E CAPACITOR	100uF 6.3V M	1	
	C908	CK73GXR1A105K	C CAPACITOR	1uF 10V K	1	
	C909	CK73GXR1H104K	C CAPACITOR	0.1uF 50V K	1	
	C911	CK73GXR1H104K	C CAPACITOR	0.1uF 50V K	1	
	C912	CK73GXR1A105K	C CAPACITOR	1uF 10V K	1	
	C914	CK73GXR1A105K	C CAPACITOR	1uF 10V K	1	
	C916	CK73GBB1H103K	C CAPACITOR	0.01uF 50V K	1	
	C940	CK73FXR0J106K	C CAPACITOR	10uF 6.3V K	1	
	C941	CK73GXR1A105K	C CAPACITOR	1uF 10V K	1	
	C942	CK73FXR0J106K	C CAPACITOR	10uF 6.3V K	1	
	C990	QEZ0981-228	E CAPACITOR	2200uF	1	
	C1000	CK73GBB1H472K	C CAPACITOR	4700pF 50V K	1	
	C1010	CK73GBB1H471K	C CAPACITOR	470pF 50V K	1	R1,A1,H1,M1
	C1011	CK73GBB1H471K	C CAPACITOR	470pF 50V K	1	R1,A1,H1,M1
	C1012	CK73GBB1H471K	C CAPACITOR	470pF 50V K	1	R1,A1,H1,M1
	C1013	CK73GBB1H471K	C CAPACITOR	470pF 50V K	1	R1,A1,H1,M1
	C1014	CK73GBB1H471K	C CAPACITOR	470pF 50V K	1	R1,A1,H1,M1
	C1015	CK73GBB1H471K	C CAPACITOR	470pF 50V K	1	R1,A1,H1,M1
	C1016	CK73GBB1H471K	C CAPACITOR	470pF 50V K	1	R1,A1,H1,M1
	C1017	CK73GBB1H471K	C CAPACITOR	470pF 50V K	1	R1,A1,H1,M1
	C1022	CK73GBB1H472K	C CAPACITOR	4700pF 50V K	1	
	C1023	CK73GBB1H472K	C CAPACITOR	4700pF 50V K	1	
	C1028	CK73GBB1H472K	C CAPACITOR	4700pF 50V K	1	
	C1033	CK73GBB1H472K	C CAPACITOR	4700pF 50V K	1	
	C1034	CK73GBB1H472K	C CAPACITOR	4700pF 50V K	1	
	C1035	CK73GBB1H472K	C CAPACITOR	4700pF 50V K	1	
	C1051	CC73GCH1H030C	C CAPACITOR	3pF 50V C	1	
	C1054	CC73GCH1H030C	C CAPACITOR	3pF 50V C	1	
	C1320	CK73GXR1H104K	C CAPACITOR	0.1uF 50V K	1	
	C1600	CK73GXR1H104K	C CAPACITOR	0.1uF 50V K	1	
	C1601	CK73GXR1H104K	C CAPACITOR	0.1uF 50V K	1	
	C1602	CK73GXR1H104K	C CAPACITOR	0.1uF 50V K	1	
	C1603	CK73GXR1H104K	C CAPACITOR	0.1uF 50V K	1	
	C1604	CK73GXR1H104K	C CAPACITOR	0.1uF 50V K	1	
	C1605	CK73GXR1H104K	C CAPACITOR	0.1uF 50V K	1	
	C1900	CK73GBB1H103K	C CAPACITOR	0.01uF 50V K	1	
	R100	RK73GB2A471J	MG RESISTOR	470Ω 1/10W J	1	
	R103	RK73GB2A473J	MG RESISTOR	47kΩ 1/10W J	1	
	R104	RK73GB2A473J	MG RESISTOR	47kΩ 1/10W J	1	
	R161	RK73GB2A000J	MG RESISTOR	0Ω 1/10W J	1	K0,R1
	R163	RK73GB2A000J	MG RESISTOR	0Ω 1/10W J	1	K0,R1
	R167	RK73GB2A000J	MG RESISTOR	0Ω 1/10W J	1	
	R168	RK73GB2A101J	MG RESISTOR	100Ω 1/10W J	1	
	R169	RK73GB2A101J	MG RESISTOR	100Ω 1/10W J	1	
	R170	RK73GB2A000J	MG RESISTOR	0Ω 1/10W J	1	
	R171	RK73GB2A103J	MG RESISTOR	10kΩ 1/10W J	1	
	R250	RK73GB2A181J	MG RESISTOR	180Ω 1/10W J	1	
	R251	RK73GB2A223J	MG RESISTOR	22kΩ 1/10W J	1	
	R252	RK73GB2A331J	MG RESISTOR	330Ω 1/10W J	1	
	R260	RK73GB2A181J	MG RESISTOR	180Ω 1/10W J	1	
	R261	RK73GB2A223J	MG RESISTOR	22kΩ 1/10W J	1	
	R262	RK73GB2A331J	MG RESISTOR	330Ω 1/10W J	1	
	R270	RK73GB2A104J	MG RESISTOR	100kΩ 1/10W J	1	
	R271	RK73GB2A331J	MG RESISTOR	330Ω 1/10W J	1	
	R273	RK73GB2A223J	MG RESISTOR	22kΩ 1/10W J	1	
	R302	RK73GB2A222J	MG RESISTOR	2.2kΩ 1/10W J	1	
	R303	RK73EB2E5R1J	MG RESISTOR	5.1Ω 1/4W J	1	
	R304	RK73GB2A473J	MG RESISTOR	47kΩ 1/10W J	1	
	R320	RK73GB2A181J	MG RESISTOR	180Ω 1/10W J	1	
	R321	RK73GB2A223J	MG RESISTOR	22kΩ 1/10W J	1	
	R323	RK73GB2A331J	MG RESISTOR	330Ω 1/10W J	1	
	R330	RK73GB2A181J	MG RESISTOR	180Ω 1/10W J	1	
	R331	RK73GB2A223J	MG RESISTOR	22kΩ 1/10W J	1	
	R333	RK73GB2A331J	MG RESISTOR	330Ω 1/10W J	1	
	R370	RK73GB2A683J	MG RESISTOR	68kΩ 1/10W J	1	
	R371	RK73GB2A123J	MG RESISTOR	12kΩ 1/10W J	1	
	R372	RK73GB2A103J	MG RESISTOR	10kΩ 1/10W J	1	
	R381	RK73EB2E000J	MG RESISTOR	0Ω 1/4W J	1	E1
	R390	RK73EB2E472J	MG RESISTOR	4.7kΩ 1/4W J	1	
	R400	RK73GB2A102J	MG RESISTOR	1kΩ 1/10W J	1	
	R402	RK73GB2A225J	MG RESISTOR	2.2MΩ 1/10W J	1	K0,R1,A1,H1,M1
	R403	RK73GB2A473J	MG RESISTOR	47kΩ 1/10W J	1	E1
	R410	RK73GB2A101J	MG RESISTOR	100Ω 1/10W J	1	
	R411	RK73GB2A101J	MG RESISTOR	100Ω 1/10W J	1	
	R412	RK73GB2A472J	MG RESISTOR	4.7kΩ 1/10W J	1	
	R413	RK73GB2A472J	MG RESISTOR	4.7kΩ 1/10W J	1	
	R414	RK73GB2A472J	MG RESISTOR	4.7kΩ 1/10W J	1	
	R421	RK73GB2A473J	MG RESISTOR	47kΩ 1/10W J	1	
	R470	RK73GB2A104J	MG RESISTOR	100kΩ 1/10W J	1	
	R471	RK73GB2A101J	MG RESISTOR	100Ω 1/10W J	1	K0,R1
	R472	RK73GB2A101J	MG RESISTOR	100Ω 1/10W J	1	K0,R1
	R476	RK73GB2A223J	MG RESISTOR	22kΩ 1/10W J	1	K0,R1
	R482	RK73GB2A472J	MG RESISTOR	4.7kΩ 1/10W J	1	K0,R1
	R483	RK73GB2A221J	MG RESISTOR	220Ω 1/10W J	1	K0,R1
	R541	RK73GB2A562J	MG RESISTOR	5.6kΩ 1/10W J	1	
	R542	RK73GB2A223J	MG RESISTOR	22kΩ 1/10W J	1	
	R543	RK73GB2A562J	MG RESISTOR	5.6kΩ 1/10W J	1	
	R544	RK73GB2A183J	MG RESISTOR	18kΩ 1/10W J	1	
	R546	RK73GB2A103J	MG RESISTOR	10kΩ 1/10W J	1	
	R548	RK73GB2A123J	MG RESISTOR	12kΩ 1/10W J	1	

MODEL	MARK	MODEL	MARK	MODEL	MARK	MODEL	MARK
DPX206U	E1	DPX301U	K0	DPX301U	R1	DPX-U5140	A1
DPX-U5140	H1	DPX-U5140	M1				

Safe	Symbol No.	Parts No.	Parts Name	Description	QTY	Local
	R550	RK73GB2A222J	MG RESISTOR	2.2kΩ 1/10W J	1	
	R551	RK73GB2A222J	MG RESISTOR	2.2kΩ 1/10W J	1	
	R554	RK73GB2A225J	MG RESISTOR	2.2MΩ 1/10W J	1	
	R556	RK73GB2A472J	MG RESISTOR	4.7kΩ 1/10W J	1	
	R557	RK73EB2E4R7J	MG RESISTOR	4.7Ω 1/4W J	1	
	R558	RK73GB2A821J	MG RESISTOR	820Ω 1/10W J	1	
	R559	RK73GB2A272J	MG RESISTOR	2.7kΩ 1/10W J	1	
	R562	RK73EB2E823J	MG RESISTOR	82kΩ 1/4W J	1	
	R567	RK73GB2A101J	MG RESISTOR	100Ω 1/10W J	1	
	R569	RK73EB2E102J	MG RESISTOR	1kΩ 1/4W J	1	
	R570	RK73GB2A101J	MG RESISTOR	100Ω 1/10W J	1	
	R571	RK73GB2A103J	MG RESISTOR	10kΩ 1/10W J	1	
	R572	RK73GB2A102J	MG RESISTOR	1kΩ 1/10W J	1	
	R573	RK73GB2A105J	MG RESISTOR	1MΩ 1/10W J	1	
	R579	RK73GB2A222J	MG RESISTOR	2.2kΩ 1/10W J	1	
	R580	RK73GB2A222J	MG RESISTOR	2.2kΩ 1/10W J	1	
	R587	RK73GB2A220J	MG RESISTOR	22Ω 1/10W J	1	
	R589	RK73GB2A821J	MG RESISTOR	820Ω 1/10W J	1	
	R590	RK73GB2A821J	MG RESISTOR	820Ω 1/10W J	1	
	R600	RK73FB2B151J	MG RESISTOR	150Ω 1/8W J	1	
	R601	RK73GB2A101J	MG RESISTOR	100Ω 1/10W J	1	
	R602	RK73GB2A820J	MG RESISTOR	82Ω 1/10W J	1	
	R603	RK73GB2A105J	MG RESISTOR	1MΩ 1/10W J	1	
	R604	RK73GB2A105J	MG RESISTOR	1MΩ 1/10W J	1	
	R605	RK73GB2A4R7J	MG RESISTOR	4.7Ω 1/10W J	1	
	R611	RK73GB2A101J	MG RESISTOR	100Ω 1/10W J	1	
	R702	RK73GB2A472J	MG RESISTOR	4.7kΩ 1/10W J	1	
	R703	RK73GB2A162J	MG RESISTOR	1.6kΩ 1/10W J	1	
	R704	RK73GB2A162J	MG RESISTOR	1.6kΩ 1/10W J	1	
	R705	RK73GB2A162J	MG RESISTOR	1.6kΩ 1/10W J	1	
	R707	RK73GB2A162J	MG RESISTOR	1.6kΩ 1/10W J	1	
	R709	RK73GB2A332J	MG RESISTOR	3.3kΩ 1/10W J	1	
	R711	RK73GB2A222J	MG RESISTOR	2.2kΩ 1/10W J	1	
	R712	RK73GB2A102J	MG RESISTOR	1kΩ 1/10W J	1	
	R713	RK73GB2A222J	MG RESISTOR	2.2kΩ 1/10W J	1	
	R714	RK73GB2A102J	MG RESISTOR	1kΩ 1/10W J	1	
	R715	RK73GB2A222J	MG RESISTOR	2.2kΩ 1/10W J	1	
	R716	RK73GB2A222J	MG RESISTOR	2.2kΩ 1/10W J	1	
	R719	RK73GB2A911J	MG RESISTOR	910Ω 1/10W J	1	
	R720	RK73GB2A473J	MG RESISTOR	47kΩ 1/10W J	1	
	R721	RK73GB2A473J	MG RESISTOR	47kΩ 1/10W J	1	
	R724	RK73GB2A105J	MG RESISTOR	1MΩ 1/10W J	1	
	R725	RK73GB2A102J	MG RESISTOR	1kΩ 1/10W J	1	
	R726	RK73GB2A220J	MG RESISTOR	22Ω 1/10W J	1	
	R727	RK73GB2A153J	MG RESISTOR	15kΩ 1/10W J	1	
	R728	RK73GB2A220J	MG RESISTOR	22Ω 1/10W J	1	
	R729	RK73GB2A153J	MG RESISTOR	15kΩ 1/10W J	1	
	R730	RK73GB2A473J	MG RESISTOR	47kΩ 1/10W J	1	
	R731	RK73GB2A473J	MG RESISTOR	47kΩ 1/10W J	1	
	R732	RK73GB2A822J	MG RESISTOR	8.2kΩ 1/10W J	1	
	R733	RK73GB2A393J	MG RESISTOR	39kΩ 1/10W J	1	
	R734	RK73GB2A393J	MG RESISTOR	39kΩ 1/10W J	1	E1
	R734	RK73GB2A223J	MG RESISTOR	22kΩ 1/10W J	1	K0
	R734	RK73GB2A153J	MG RESISTOR	15kΩ 1/10W J	1	R1
	R734	RK73GB2A333J	MG RESISTOR	33kΩ 1/10W J	1	A1,H1,M1
	R735	RK73GB2A822J	MG RESISTOR	8.2kΩ 1/10W J	1	E1
	R735	RK73GB2A273J	MG RESISTOR	27kΩ 1/10W J	1	K0
	R735	RK73GB2A333J	MG RESISTOR	33kΩ 1/10W J	1	R1
	R735	RK73GB2A153J	MG RESISTOR	15kΩ 1/10W J	1	A1,H1,M1
	R743	RK73GB2A473J	MG RESISTOR	47kΩ 1/10W J	1	
	R744	RK73GB2A473J	MG RESISTOR	47kΩ 1/10W J	1	
	R745	RK73EB2E222J	MG RESISTOR	2.2kΩ 1/4W J	1	
	R746	RK73GB2A472J	MG RESISTOR	4.7kΩ 1/10W J	1	
	R747	RK73GB2A472J	MG RESISTOR	4.7kΩ 1/10W J	1	
	R748	RK73GB2A472J	MG RESISTOR	4.7kΩ 1/10W J	1	
	R749	RK73GB2A473J	MG RESISTOR	47kΩ 1/10W J	1	
	R750	RK73GB2A101J	MG RESISTOR	100Ω 1/10W J	1	
	R751	RK73GB2A473J	MG RESISTOR	47kΩ 1/10W J	1	
	R752	RK73GB2A101J	MG RESISTOR	100Ω 1/10W J	1	
	R753	RK73EB2E102J	MG RESISTOR	1kΩ 1/4W J	1	
	R754	RK73GB2A100J	MG RESISTOR	10Ω 1/10W J	1	
	R755	RK73GB2A100J	MG RESISTOR	10Ω 1/10W J	1	
	R756	RK73GB2A473J	MG RESISTOR	47kΩ 1/10W J	1	
	R757	RK73GB2A473J	MG RESISTOR	47kΩ 1/10W J	1	
	R758	RK73GB2A473J	MG RESISTOR	47kΩ 1/10W J	1	
	R760	RK73GB2A473J	MG RESISTOR	47kΩ 1/10W J	1	
	R761	RK73GB2A473J	MG RESISTOR	47kΩ 1/10W J	1	
	R762	RK73GB2A473J	MG RESISTOR	47kΩ 1/10W J	1	
	R763	RK73GB2A472J	MG RESISTOR	4.7kΩ 1/10W J	1	
	R764	RK73GB2A472J	MG RESISTOR	4.7kΩ 1/10W J	1	
	R820	RK73EB2E473J	MG RESISTOR	47kΩ 1/4W J	1	
	R821	RK73GB2A473J	MG RESISTOR	47kΩ 1/10W J	1	
	R822	RK73GB2A473J	MG RESISTOR	47kΩ 1/10W J	1	
	R840	RK73GB2A101J	MG RESISTOR	100Ω 1/10W J	1	
	R841	RK73GB2A101J	MG RESISTOR	100Ω 1/10W J	1	
	R850	RK73EB2E000J	MG RESISTOR	0Ω 1/4W J	1	
	R861	RK73GB2A200J	MG RESISTOR	20Ω 1/10W J	1	
	R862	RK73GB2A391J	MG RESISTOR	390Ω 1/10W J	1	
	R864	RK73GB2A393J	MG RESISTOR	39kΩ 1/10W J	1	
	R865	RK73GH2A683D	MG RESISTOR	68kΩ 1/10W D	1	

MODEL	MARK	MODEL	MARK	MODEL	MARK	MODEL	MARK
DPX206U	E1	DPX301U	K0	DPX301U	R1	DPX-U5140	A1
DPX-U5140	H1	DPX-U5140	M1				

Safe	Symbol No.	Parts No.	Parts Name	Description	QTY	Local
	R867	RK73GH2A393D	MG RESISTOR	39kΩ 1/10W D	1	
	R868	RK73GH2A183D	MG RESISTOR	18kΩ 1/10W D	1	
	R890	RK73GH2A203D	MG RESISTOR	20kΩ 1/10W D	1	
	R892	RK73GB2A391J	MG RESISTOR	390Ω 1/10W J	1	
	R900	RK73EB2E473J	MG RESISTOR	47kΩ 1/4W J	1	
	R901	RK73EB2E473J	MG RESISTOR	47kΩ 1/4W J	1	
	R902	RK73EB2E682J	MG RESISTOR	6.8kΩ 1/4W J	1	
	R903	RK73EB2E682J	MG RESISTOR	6.8kΩ 1/4W J	1	
	R905	RK73GB2A101J	MG RESISTOR	100Ω 1/10W J	1	
	R940	RK73EB2E100J	MG RESISTOR	10Ω 1/4W J	1	
	R1015	RK73GB2A000J	MG RESISTOR	0Ω 1/10W J	1	
	R1017	RK73GB2A000J	MG RESISTOR	0Ω 1/10W J	1	
	R1022	RK73GB2A000J	MG RESISTOR	0Ω 1/10W J	1	
	R1029	RK73EB2E000J	MG RESISTOR	0Ω 1/4W J	1	
	R1036	RK73GB2A000J	MG RESISTOR	0Ω 1/10W J	1	
	R1047	RK73EB2E000J	MG RESISTOR	0Ω 1/4W J	1	
	R1049	RK73EB2E000J	MG RESISTOR	0Ω 1/4W J	1	
	R1051	RK73GH2A100D	MG RESISTOR	10Ω 1/10W D	1	
	R1064	RK73GB2A100J	MG RESISTOR	10Ω 1/10W J	1	
	R1065	RK73GB2A100J	MG RESISTOR	10Ω 1/10W J	1	
	R1070	RK73GB2A102J	MG RESISTOR	1kΩ 1/10W J	1	
	R1071	RK73GB2A000J	MG RESISTOR	0Ω 1/10W J	1	
	R1080	RK73GB2A000J	MG RESISTOR	0Ω 1/10W J	1	
	R1086	RK73EB2E000J	MG RESISTOR	0Ω 1/4W J	1	K0,R1
	R1091	RK73GB2A000J	MG RESISTOR	0Ω 1/10W J	1	
	R1160	RK73EB2E000J	MG RESISTOR	0Ω 1/4W J	1	
	R1300	NRZ0084-0R0X	MG RESISTOR	0Ω	1	
	R1600	RK73EB2E000J	MG RESISTOR	0Ω 1/4W J	1	
	R1701	RK73GB2A473J	MG RESISTOR	47kΩ 1/10W J	1	
	R1862	RK73EB2E331J	MG RESISTOR	330Ω 1/4W J	1	
	R1863	RK73EB2E331J	MG RESISTOR	330Ω 1/4W J	1	
	RA470	RK74GB1J100J	NET RESISTOR	10Ω 1/16W J	1	K0,R1
	RA580	RK74GB1J471J	NET RESISTOR	470Ω 1/16W J	1	
	RA701	RK74GB1J473J	NET RESISTOR	47kΩ 1/16W J	1	
	L540	NQR0713-001X	FERRITE BEADS		1	
	L574	NQR0713-001X	FERRITE BEADS		1	
	L600	LR73Z0AD4R7M	CHIP INDUCTOR	4.7uH	1	
	L601	LK73G0BE4R7K	M.CHIP INDUCTOR		1	
	L602	LK73G0BER47K	M.CHIP INDUCTOR		1	
	L603	NQLM93K-R10X	INDUCTOR	0.1uH K	1	
	L604	LK73G0BE1R0K	M.CHIP INDUCTOR		1	
	L605	LK73G0BER22K	M.CHIP INDUCTOR		1	
	L606	LK73G0BER12K	M.CHIP INDUCTOR		1	
	L607	LK73G0BER15K	M.CHIP INDUCTOR		1	
	L700	NQR0713-001X	FERRITE BEADS		1	
	L701	LB73G0BK-006	CHIP FERRITE		1	
	L709	NQR0713-001X	FERRITE BEADS		1	
	L710	NQR0713-001X	FERRITE BEADS		1	
	L777	NQR0713-001X	FERRITE BEADS		1	
	L778	NQR0713-001X	FERRITE BEADS		1	
	L820	NQR0713-001X	FERRITE BEADS		1	
	L821	NQR0713-001X	FERRITE BEADS		1	
	L822	NQR0713-001X	FERRITE BEADS		1	
	L823	NQR0713-001X	FERRITE BEADS		1	
	L824	NQR0713-001X	FERRITE BEADS		1	
	L825	LB73G0CA-002	CHIP FERRITE		1	
	L826	NQR0403-003X	FERRITE BEADS		1	
	L827	LB73G0BK-006	CHIP FERRITE		1	
	L860	NQLL6EM-100X	INDUCTOR	10uH M	1	
	L861	NQLH65M-4R7X	INDUCTOR	4.7uH M	1	
	L990	QQR1927-001	CHOKE COIL		1	
	CN502	QGF1040C1-24	FFC/FPC CONNE	FFC/FPC (1-24)	1	
	CN701	QGB1004K2-20W	B TO B CONNE	B-B (1-20)	1	
	CN990	QNZ0607-001	CAR CONNECTOR		1	
	J321	QNN0868-001	PIN JACK		1	
	J470	QNZ0907-001	CIR CONNECTOR		1	K0,R1
	J600	QNB0356-001	ANT TERMINAL		1	
	VA600	F0K-0014-00	SURGE ABSORBER		1	
	X540	NAX1224-001X	CRYSTAL		1	
	X600	QAX0969-001Z	CRYSTAL		1	
	X701	NAX1243-001X	CRYSTAL		1	
	SWITCH PWB ASSY (XJ6-042x-xx) <02>					
	IC1	BU97530KV-M-X	IC		1	
	IC90	SIR8630B6T	IR DETECT UNIT		1	K0,R1,A1,H1,M1
	Q1	LSCR523UBFS8	TRANSISTOR		1	
	Q51	LSCR523UBFS8	TRANSISTOR		1	
	Q52	LSCR523UBFS8	TRANSISTOR		1	
	Q53	LSCR523UBFS8	TRANSISTOR		1	
	D1	DZ2J056M	ZENER DIODE		1	
	D2	MBRX130	SCHOTTKY DIODE		1	
	D20	SML-D12V8WT	LED		1	
	D21	LRTBGFTG/Z1Z1X	LED		1	
	D22	LRTBGFTG/Z1Z1X	LED		1	
	D23	LRTBGFTG/Z1Z1X	LED		1	
	D24	LRTBGFTG/Z1Z1X	LED		1	
	D25	LRTBGFTG/Z1Z1X	LED		1	
	D26	LRTBGFTG/Z1Z1X	LED		1	
	D27	LRTBGFTG/Z1Z1X	LED		1	
	D28	LRTBGFTG/Z1Z1X	LED		1	
	D29	LRTBGFTG/Z1Z1X	LED		1	
	D40	NESM026DT-W	LED		1	
	D80	DZ2J051M	ZENER DIODE		1	

MODEL	MARK	MODEL	MARK	MODEL	MARK	MODEL	MARK
DPX206U	E1	DPX301U	K0	DPX301U	R1	DPX-U5140	A1
DPX-U5140	H1	DPX-U5140	M1				

Safe	Symbol No.	Parts No.	Parts Name	Description	QTY	Local
	D81	DZ2J051M	ZENER DIODE		1	
	C1	CK73GBB1H471K	C CAPACITOR	470pF 50V K	1	
	C5	CK73GXR1C105K	C CAPACITOR	1uF 16V K	1	
	C6	CK73EXR1C106K	C CAPACITOR	10uF 16V K	1	
	C9	CK73GXR1C105K	C CAPACITOR	1uF 16V K	1	
	C60	CK73GBB1H102K	C CAPACITOR	1000pF 50V K	1	
	C61	CK73GBB1H102K	C CAPACITOR	1000pF 50V K	1	
	C80	CC73GCH1H270J	C CAPACITOR	27pF 50V J	1	
	C81	CC73GCH1H270J	C CAPACITOR	27pF 50V J	1	
	C82	CK73EXR1C106K	C CAPACITOR	10uF 16V K	1	
	C83	CK73GBB1H471K	C CAPACITOR	470pF 50V K	1	
	C84	CK73GBB1H472K	C CAPACITOR	4700pF 50V K	1	
	C85	CK73GBB1H471K	C CAPACITOR	470pF 50V K	1	
	C86	CK73GBB1H472K	C CAPACITOR	4700pF 50V K	1	
	C90	CK73GXR1A105K	C CAPACITOR	1uF 10V K	1	K0,R1,A1,H1,M1
	R1	RK73GB2A101J	MG RESISTOR	100Ω 1/10W J	1	
	R2	RK73GB2A000J	MG RESISTOR	0Ω 1/10W J	1	
	R3	RK73GB2A101J	MG RESISTOR	100Ω 1/10W J	1	
	R4	RK73GB2A101J	MG RESISTOR	100Ω 1/10W J	1	
	R5	RK73FB2B331J	MG RESISTOR	330Ω 1/8W J	1	
	R6	RK73GB2A102J	MG RESISTOR	1kΩ 1/10W J	1	
	R7	RK73EB2E000J	MG RESISTOR	0Ω 1/4W J	1	
	R18	RK73GB2A101J	MG RESISTOR	100Ω 1/10W J	1	
	R22	RK73GB2A471J	MG RESISTOR	470Ω 1/10W J	1	
	R23	RK73GB2A471J	MG RESISTOR	470Ω 1/10W J	1	
	R24	RK73GB2A751J	MG RESISTOR	750Ω 1/10W J	1	
	R25	RK73GB2A471J	MG RESISTOR	470Ω 1/10W J	1	
	R27	RK73GB2A471J	MG RESISTOR	470Ω 1/10W J	1	
	R28	RK73GB2A751J	MG RESISTOR	750Ω 1/10W J	1	
	R30	RK73EB2E471J	MG RESISTOR	470Ω 1/4W J	1	
	R31	RK73GB2A471J	MG RESISTOR	470Ω 1/10W J	1	
	R32	RK73GB2A751J	MG RESISTOR	750Ω 1/10W J	1	
	R34	RK73GB2A471J	MG RESISTOR	470Ω 1/10W J	1	
	R35	RK73GB2A471J	MG RESISTOR	470Ω 1/10W J	1	
	R36	RK73EB2E751J	MG RESISTOR	750Ω 1/4W J	1	
	R38	RK73EB2E821J	MG RESISTOR	820Ω 1/4W J	1	
	R39	RK73FB2B821J	MG RESISTOR	820Ω 1/8W J	1	
	R40	RK73FB2B102J	MG RESISTOR	1kΩ 1/8W J	1	
	R45	RK73FB2B122J	MG RESISTOR	1.2kΩ 1/8W J	1	
	R46	RK73FB2B821J	MG RESISTOR	820Ω 1/8W J	1	
	R47	RK73FB2B122J	MG RESISTOR	1.2kΩ 1/8W J	1	
	R48	RK73FB2B122J	MG RESISTOR	1.2kΩ 1/8W J	1	
	R49	RK73FB2B122J	MG RESISTOR	1.2kΩ 1/8W J	1	
	R51	RK73GB2A472J	MG RESISTOR	4.7kΩ 1/10W J	1	
	R52	RK73GB2A472J	MG RESISTOR	4.7kΩ 1/10W J	1	
	R53	RK73GB2A472J	MG RESISTOR	4.7kΩ 1/10W J	1	
	R60	RK73FB2B101J	MG RESISTOR	100Ω 1/8W J	1	
	R61	RK73FB2B101J	MG RESISTOR	100Ω 1/8W J	1	
	R62	RK73FB2B4R7J	MG RESISTOR	4.7Ω 1/8W J	1	
	R70	RK73GB2A222J	MG RESISTOR	2.2kΩ 1/10W J	1	
	R80	RK73EB2E221J	MG RESISTOR	220Ω 1/4W J	1	
	R1006	RK73EB2E000J	MG RESISTOR	0Ω 1/4W J	1	
	R1007	RK73GB2A000J	MG RESISTOR	0Ω 1/10W J	1	K0,R1,A1,H1,M1
	R1009	RK73EB2E000J	MG RESISTOR	0Ω 1/4W J	1	
	RA1	RK74GB1J101J	NET RESISTOR	100Ω 1/16W J	1	
	RA2	RK74GB1J101J	NET RESISTOR	100Ω 1/16W J	1	
	RA3	RK74GB1J101J	NET RESISTOR	100Ω 1/16W J	1	
	CN1	QGB1004J2-20X	B TO B CONNE	B-B (1-20)	1	
	ED1	B3H-0007-00	LCD		1	
	FL80	NQR0704-001X	CHOKO COIL		1	
	J60	QNS0320-001	3.5 JACK		1	
	J80	QNZ1076-001	USB CONNECTOR		1	
	S1	NSW0246-001X	TACT SWITCH		1	
	S2	NSW0246-001X	TACT SWITCH		1	
	S3	NSW0246-001X	TACT SWITCH		1	
	S4	NSW0246-001X	TACT SWITCH		1	
	S5	NSW0246-001X	TACT SWITCH		1	
	S6	NSW0246-001X	TACT SWITCH		1	
	S7	NSW0246-001X	TACT SWITCH		1	
	S8	NSW0246-001X	TACT SWITCH		1	
	S9	NSW0246-001X	TACT SWITCH		1	
	S10	NSW0246-001X	TACT SWITCH		1	
	S11	NSW0246-001X	TACT SWITCH		1	
	S12	NSW0246-001X	TACT SWITCH		1	
	S13	NSW0246-001X	TACT SWITCH		1	
	S14	NSW0246-001X	TACT SWITCH		1	
	S15	NSW0246-001X	TACT SWITCH		1	
	S16	NSW0246-001X	TACT SWITCH		1	
	S17	NSW0246-001X	TACT SWITCH		1	
	S18	NSW0246-001X	TACT SWITCH		1	
	S20	T9K-0007-00	ROTARY ENCODER		1	
	CD MECHA PWB ASSY (LVA20106-01A) <03>					
	IC1	BD8266EFV-M-X	IC		1	
	C26	CK73FXR1C106K	C CAPACITOR	10uF 16V K	1	
	C54	NCB31HK-104X	C CAPACITOR	0.1uF 50V K	1	
	C55	CK73FXR1C106K	C CAPACITOR	10uF 16V K	1	
	R18	RK73GB2A822J	MG RESISTOR	8.2kΩ 1/10W J	1	
	R21	RK73GB2A822J	MG RESISTOR	8.2kΩ 1/10W J	1	
	R24	RK73GB2A272J	MG RESISTOR	2.7kΩ 1/10W J	1	

MODEL	MARK	MODEL	MARK	MODEL	MARK	MODEL	MARK
DPX206U	E1	DPX301U	K0	DPX301U	R1	DPX-U5140	A1
DPX-U5140	H1	DPX-U5140	M1				

Safe	Symbol No.	Parts No.	Parts Name	Description	QTY	Local
	R27	RK73GB2A562J	MG RESISTOR	5.6kΩ 1/10W J	1	
	R28	RK73GB2A114J	MG RESISTOR	110kΩ 1/10W J	1	
	R29	RK73GB2A101J	MG RESISTOR	100Ω 1/10W J	1	
	R30	RK73GB2A101J	MG RESISTOR	100Ω 1/10W J	1	
	R36	RK73GB2A000J	MG RESISTOR	0Ω 1/10W J	1	
	R37	RK73GB2A000J	MG RESISTOR	0Ω 1/10W J	1	
	R38	RK73GB2A000J	MG RESISTOR	0Ω 1/10W J	1	
	R40	RK73GB2A000J	MG RESISTOR	0Ω 1/10W J	1	
	R42	RK73EB2E000J	MG RESISTOR	0Ω 1/4W J	1	
	R47	RK73EB2E000J	MG RESISTOR	0Ω 1/4W J	1	
	R48	RK73EB2E000J	MG RESISTOR	0Ω 1/4W J	1	
	R50	RK73GB2A131J	MG RESISTOR	130Ω 1/10W J	1	
	CN1	QGF1044F2-24X	FFC/FPC CONNE	FFC/FPC (1-24)	1	
	CN2	QGF0522F6-15W	FFC/FPC CONNE	FFC/FPC (1-15)	1	
	SW1	NSW0291-001X	DETECT SWITCH		1	
	SW2	NSW0291-001X	DETECT SWITCH		1	
	SW3	NSW0313-001X	DETECT SWITCH		1	
CD MECHA PWB ASSY (X32-6680-00) <04>						
	IC1	BD8266EFV-M-X	IC		1	
	C26	CK73FXR1C106K	C CAPACITOR	10uF 16V K	1	
	C54	CK73GB1H104K	C CAPACITOR	0.1uF 50V K	1	
	C55	CK73FXR1C106K	C CAPACITOR	10uF 16V K	1	
	R18	RK73GB2A822J	MG RESISTOR	8.2kΩ 1/10W J	1	
	R21	RK73GB2A822J	MG RESISTOR	8.2kΩ 1/10W J	1	
	R24	RK73GB2A272J	MG RESISTOR	2.7kΩ 1/10W J	1	
	R27	RK73GB2A562J	MG RESISTOR	5.6kΩ 1/10W J	1	
	R28	RK73GB2A114J	MG RESISTOR	110kΩ 1/10W J	1	
	R29	RK73GB2A101J	MG RESISTOR	100Ω 1/10W J	1	
	R30	RK73GB2A101J	MG RESISTOR	100Ω 1/10W J	1	
	R36	RK73GB2A000J	MG RESISTOR	0Ω 1/10W J	1	
	R37	RK73GB2A000J	MG RESISTOR	0Ω 1/10W J	1	
	R38	RK73GB2A000J	MG RESISTOR	0Ω 1/10W J	1	
	R40	RK73GB2A000J	MG RESISTOR	0Ω 1/10W J	1	
	R42	RK73EB2E000J	MG RESISTOR	0Ω 1/4W J	1	
	R47	RK73EB2E000J	MG RESISTOR	0Ω 1/4W J	1	
	R48	RK73EB2E000J	MG RESISTOR	0Ω 1/4W J	1	
	R50	RK73GB2A131J	MG RESISTOR	130Ω 1/10W J	1	
	CN1	QGF1044F2-24X	FFC/FPC CONNE	FFC/FPC (1-24)	1	
	CN2	E41-3488-05	F.C.CONNECTOR		1	
	S1	S6J-0001-00	PUSH SWITCH		1	
	S2	S6J-0001-00	PUSH SWITCH		1	
	S3	S6J-0002-00	PUSH SWITCH		1	