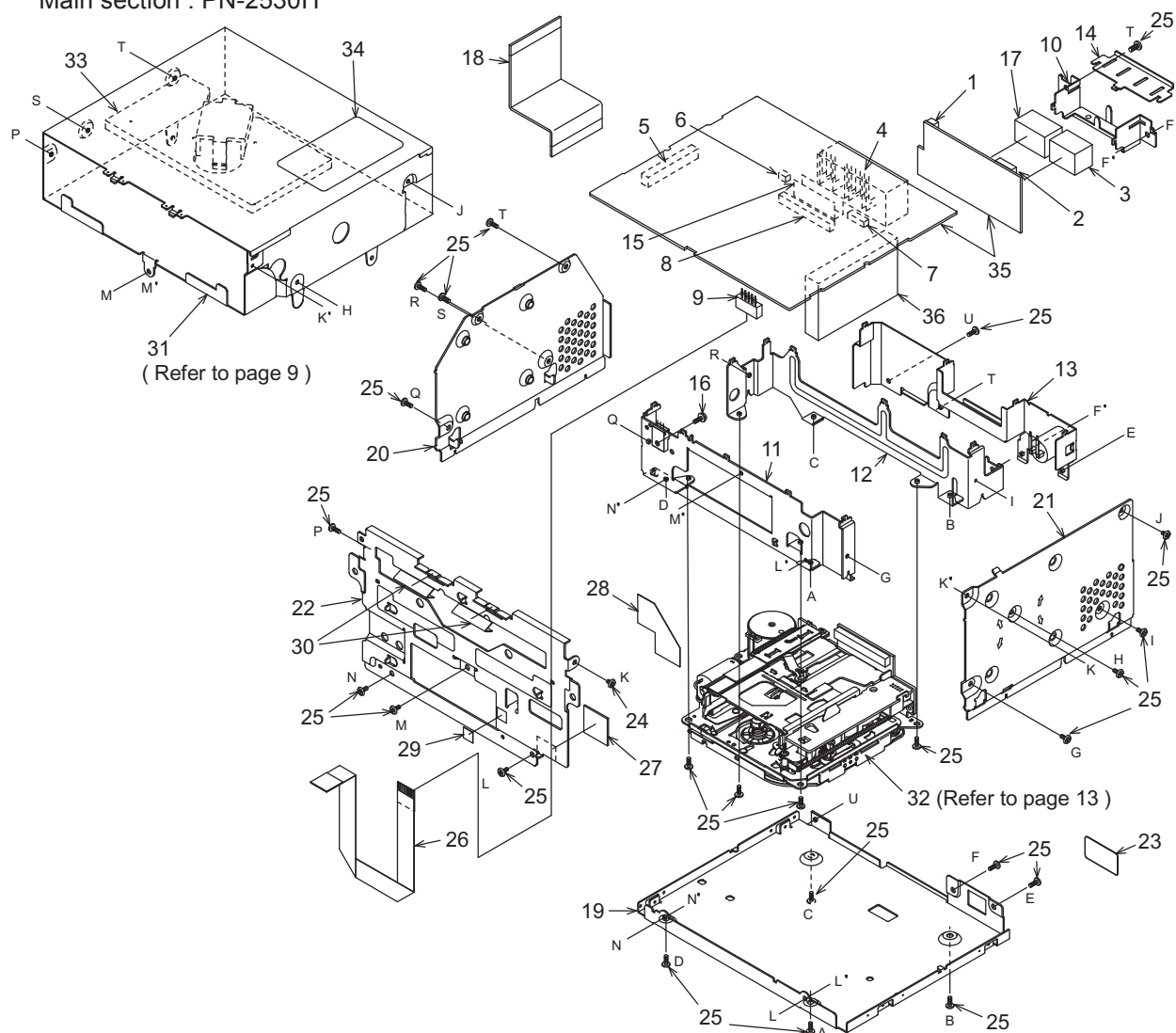


# EXPLODED VIEW • PARTS LIST

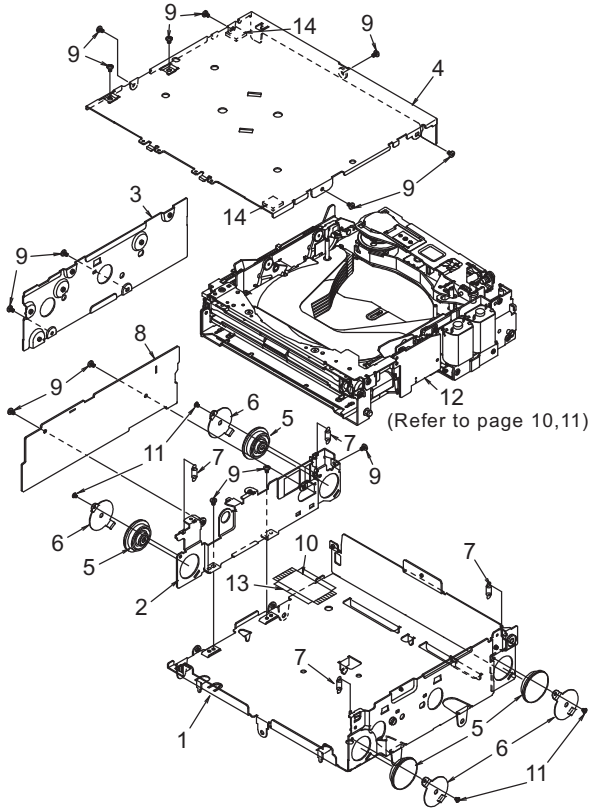
Main section : PN-2530H



NO.	PART NO.	DESCRIPTION	Q'TY	NO.	PART NO.	DESCRIPTION	Q'TY
1	074-0898-06	OUTLET SOCKET	1	20	331-3258-00	SIDE CASE(L)	1
2	074-0898-18	OUTLET SOCKET	1	21	331-3259-01	SIDE CASE(R)	1
3	074-1087-12	OUTLET SOCKET	1	22	331-3519-00	ES-PLATE	1
4	074-1141-00	OUTLET SOCKET	1	23	347-6623-00	SPACER	1
5	074-1192-22	OUTLET SOCKET	1	24	714-2004-81	MACHINE SCREW(M2 x 4)	1
6	076-0368-06	PLUG	1	25	714-2605-81	MACHINE SCREW(M2.6 x 5)	24
7	076-0368-18	PLUG	1	26	816-2611-00	FLAT WIRE	1
8	076-0509-20	PLUG	1	27	347-6816-00	FILM	1
9	074-0834-10	PLUG	1	28	347-6817-00	FILM	1
10	331-2025-11	CONNECTOR HOLDER	1	29	347-6909-00	FILM	1
11	331-3236-01	MECH BRACKET(FRONT)	1	30	347-6910-00	PROTECTOR	2
12	331-3237-01	MECH BRACKET(REAR)	1	31	-----	CD CHANGER MODULE 019283-929	1
13	331-3239-10	REAR PLATE	1	32	930-0794-80	TAPE MECHANISM	1
14	331-3257-02	CONNECTOR HOLDER	1	33	335-6703-00	LOCK PIN	1
15	347-6595-00	INSULATOR	1	34	286-9526-04	SET PLATE	1
16	716-1494-00	IT SCREW (M2.6 x 6)	1	35	039-2235-01	MAIN PWB (WITHOUT COMPONENT)	1
17	074-1013-30	OUTLET SOCKET	1	36	880-1917E	TUNER(AM/FM)	1
18	816-2563-00	FLAT WIRE	1				
19	311-1834-00	LOWER CASE	1				

PN-2530H /  
2532D / 2548N

CD changer module section



NO.	PART NO.	DESCRIPTION	Q'TY
1	311-1837-25	LOWER CASE	1
2	331-3266-24	PWB HOLDER	1
3	305-0315-21	SIDE CASE	1
4	310-1741-23	UPPER CASE	1
5	629-0083-01	DAMPER	4
6	620-1086-20	DAMPER-H-PLT	4
7	750-3491-00	FL-APRING	1
8	039-2020-01	SIDE PWB (WITHOUT COMPONENT)	1
9	716-1716-00	SCREW(M2x3)	14
10	039-1957-01	FPC	1
11	716-3450-00	SCREW(M1.7x2)	4
12	-----	CD CHANGER MECHANISM	1
13	347-6619-00	INSULATOR	1
14	345-8329-00	CUSHION RUBBER	2

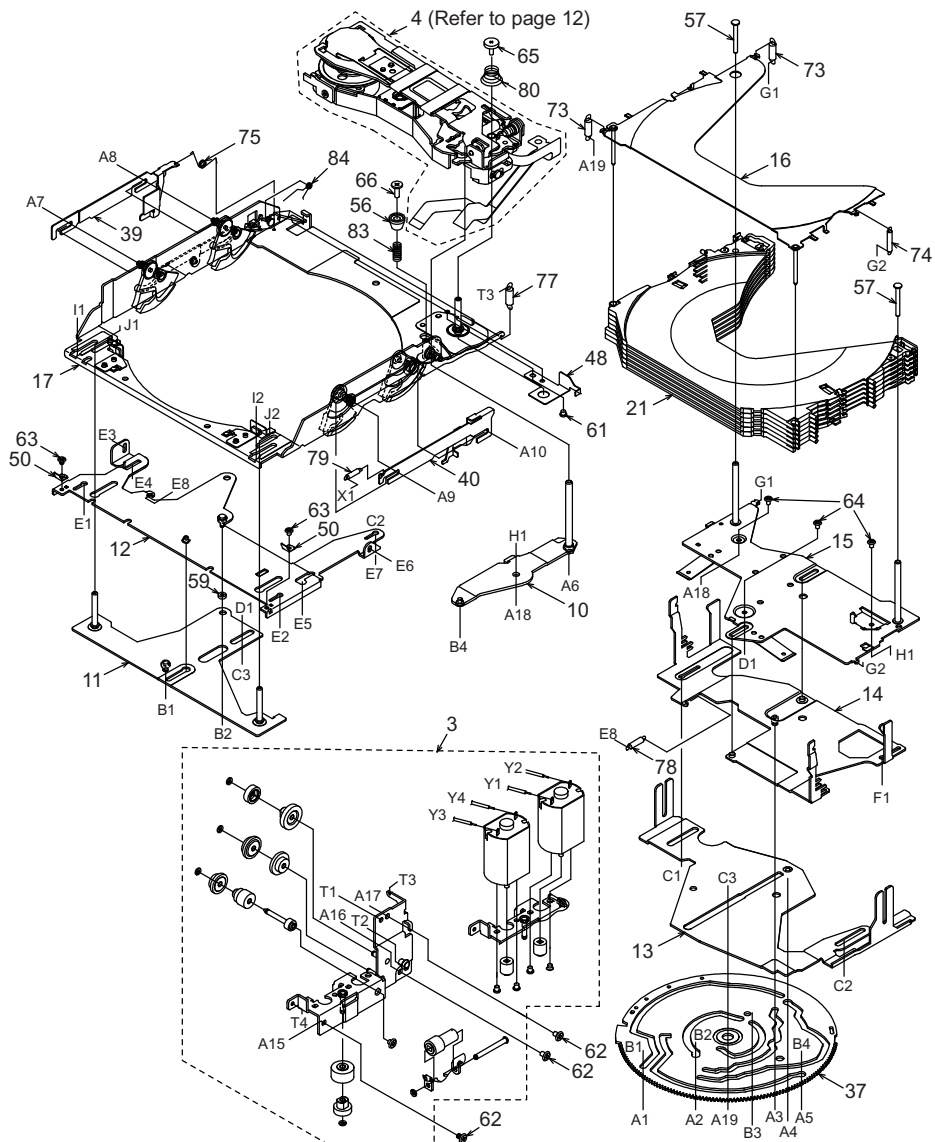
CD changer mechanism section : Main chassis

\* The exploded view is on page 10,11.

NO.	PART NO.	DESCRIPTION	Q'TY
1	HBS-521-100	LOADING UNIT (WITHOUT MOTOR)	1
2	SMA-186-100	LOADING MOTOR ASSY	1
3	HBS-512-100	MOTOR PLATE SUB ASSY	1
4	HBS-513-103	DRIVE UNIT	1
5	039-1951-20	CD PWB (WITHOUT COMPONENT)	1
6	039-1953-00	DRIVER PWB (WITHOUT COMPONENT)	1
7	966-0597-03	CHASSIS ASSY	1
8	966-0600-01	LOCK-P-RE-ASSY	1
9	966-0601-01	M-GEAR-P-ASSY	1
10	966-0602-23	DR-LINK-ASSY	1
11	966-0603-00	MODE-P-ASSY	1
12	966-0604-02	LOCK-PF-ASSY	1
13	966-0605-00	SHIFT-P-ASSY	1
14	966-0606-03	HLC-PLATE-ASSY	1
15	966-0607-04	COV-OLATE-ASSY	1
16	966-0610-24	TOP-PLATE-ASSY	1
17	966-0611-25	DR-BASE-P-ASSY	1
18	966-0615-21	LOCK-L-RF-ASSY	1
19	966-0616-20	LOCK-L-LF-ASSY	1
20	966-0618-21	EJECT-B-ASSY	1
21	966-0624-24	DISC-HOL-ASSY	1
22	001-7042-00	DIODE (GL4800)	4
23	013-7414-50	DETECTOR SWITCH	1

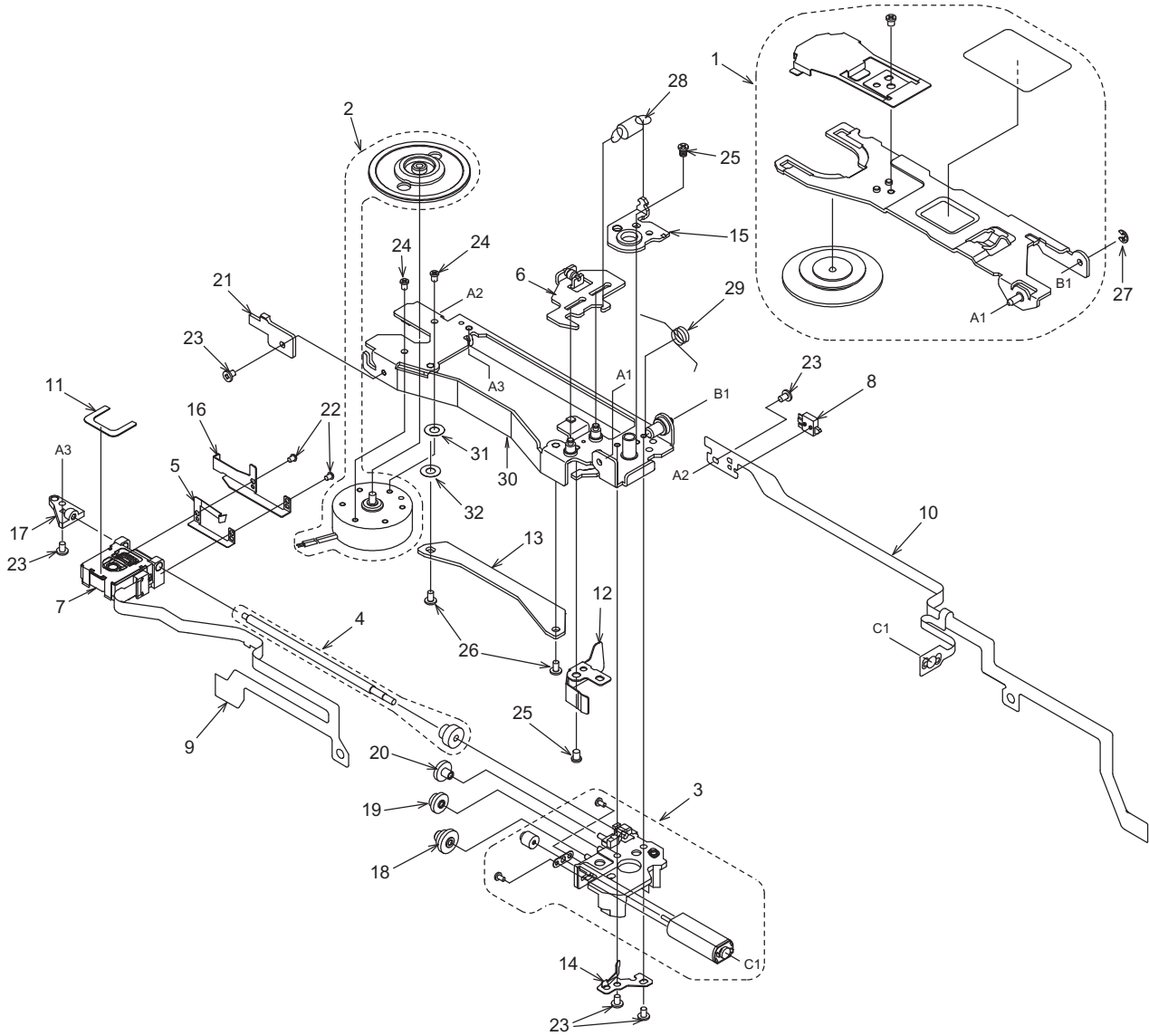
NO.	PART NO.	DESCRIPTION	Q'TY
24	039-1954-20	LED-L-PWB (WITHOUT COMPONENT)	1
25	039-1955-20	LED-R-PWB (WITHOUT COMPONENT)	1
26	039-1956-00	SENSOR PWB (WITHOUT COMPONENT)	1
27	039-2009-00	PIM-FPC	1
28	039-2010-00	PIV-FPC	1
29	039-2011-00	LED-FPC	1
30	039-2012-00	SENSOR-FPC	1
31	039-2013-00	MOS-FPC	1
32	039-2014-00	L-MOTOR-FPC (WITHOUT COMPONENT)	1
33	051-5806-01	IC (GPIS93)	1
34	051-5806-02	IC (GPIS95)	1
35	060-0252-01	PHOTO-TR	4
36	347-6657-01	LO-COVER SHEET	1
37	620-1041-03	GEAR PLATE	1
38	620-1042-00	M-GEAR-H	1
39	620-1056-21	HLR-PLATE-L	1
40	620-1580-00	HLR-PLATE-R	1
41	620-1576-20	LO-MOTOR-PLT	1
42	620-1066-20	LOCK LINK-LR	1
43	620-1067-21	SLIDE PLATE-L	1
44	620-1068-22	SLIDE PLATE-R	1
45	620-1071-20	EJECT ARM	1
46	620-1072-20	EJECT PLATE	1

NO.	PART NO.	DESCRIPTION	Q'TY	NO.	PART NO.	DESCRIPTION	Q'TY
47	620-1577-20	FRONT PLATE	1	67	738-1422-11	PRECISION SCREW	2
48	620-1083-20	FPC-PLATE	1	68	743-1200-20	E-RING	2
49	620-1090-00	GAP PLATE	1	69	743-1500-20	E-RING	13
50	620-1568-00	RATTLE PLATE-F	2	70	746-0624-00	WASHER	1
51	621-0640-00	V-GEAR-G	1	71	746-0712-03	WASHER	1
52	621-0641-21	PI-HOLDER-M	1	72	746-0761-00	WASHER	1
53	621-0656-21	PI-HOLDER-V	1	73	750-3478-01	TOP-P-SP-L	2
54	622-1622-00	SL-G-ROLLER	2	74	750-3479-01	TOP-P-SP-R	1
55	622-1623-00	SL-G-ROLLER-R	2	75	750-3480-01	DR-LOCK-SP	1
56	622-1648-02	DU-STP-SLEEVE	1	76	750-3483-00	EJECT-A-SPRING	1
57	622-1650-02	COV-PLATE PIN-B	2	77	750-3484-01	DR-BASE-SPRING	1
58	622-1651-00	LOCK-RE-ROLLER	1	78	750-3485-01	TENSION-SP-L	1
59	622-1652-00	LOCK-PF-ROLLER	1	79	750-3486-01	LO-TENSION-SP	1
60	716-1866-00	SCREW(M1.7x3)	4	80	750-3489-01	DRIVE-P-SPRING	1
61	716-1873-00	SCREW(M2x1.6)	1	81	750-3496-00	GAP-P-SPRING R	1
62	716-3449-00	SCREW(M2x3)	15	82	750-3497-00	GAP-P-SPRING L	1
63	716-3450-00	SCREW(M1.7x2)	4	83	750-6711-01	DU-STP-SPRING	1
64	716-3451-00	SCREW(M1.7x2.5)	4	84	750-6712-01	DR-LOCK-SP-B	1
65	716-3459-00	SCREW(M1.7x5)	1	85	621-0651-22	LOAD GEAR-A	1
66	716-3466-02	SCREW	1	86	347-6974-20	FPC COVER	1





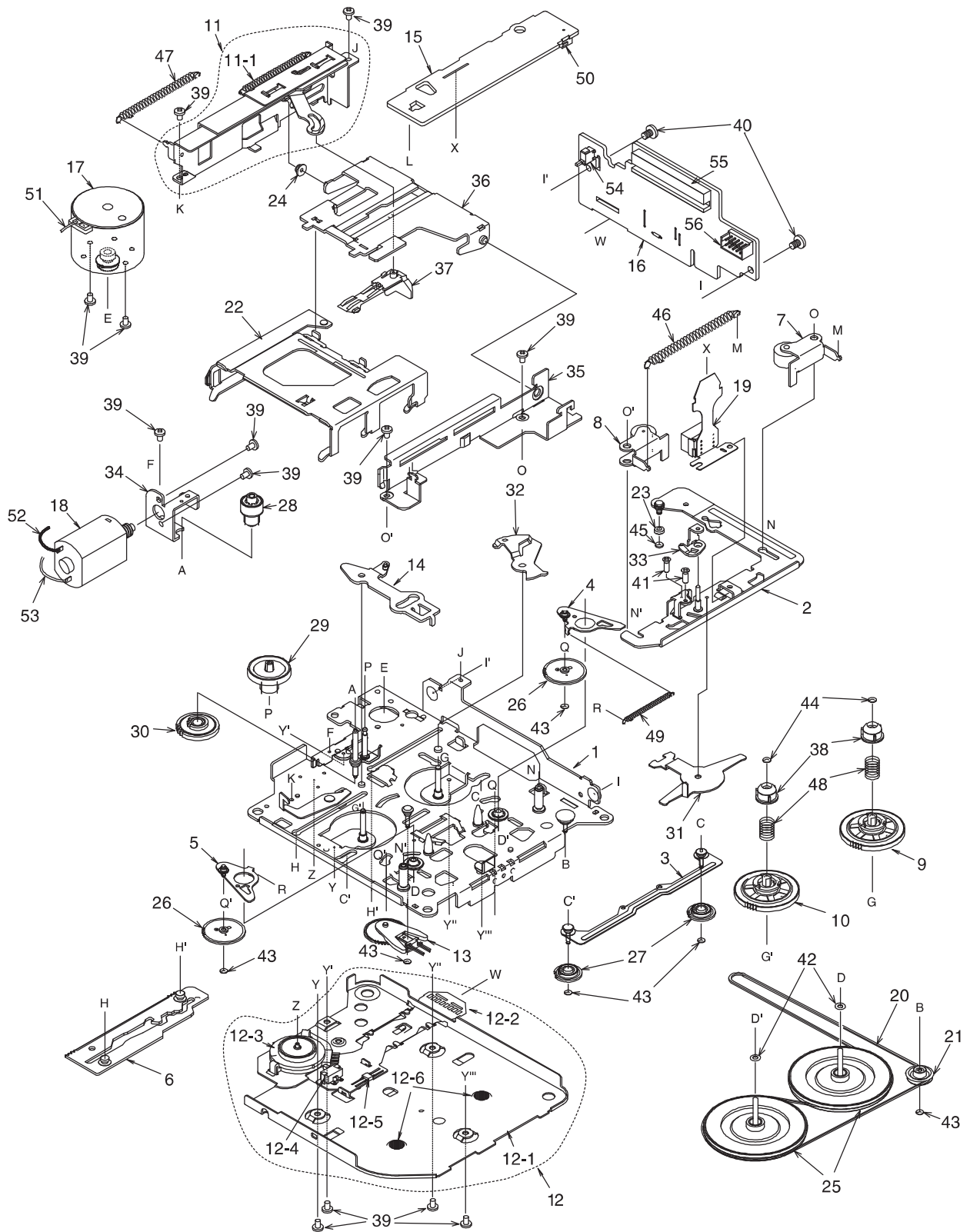
CD changer mechanism section : Drive unit



NO.	PART NO.	DESCRIPTION	Q'TY	NO.	PART NO.	DESCRIPTION	Q'TY
1	HBS-514-100	CLAMPER SUB ASSY	1	17	621-0670-20	LS-HOLDER-L	1
2	SMA-185-100	SPINDLE MOTOR ASSY	1	18	621-0673-00	D-GEAR A	1
3	SMA-184-100	SLED MOTOR ASSY	1	19	621-0674-00	D-GEAR B	1
4	HBS-515-101	LS-ASSY	1	20	621-0675-00	D-GEAR C	1
5	620-1587-00	SH-SP-PLT	1	21	621-0683-21	DU-STOPPER	1
6	966-0622-02	D-SHIFT-P-ASSY	1	22	716-3460-00	SCREW(M1.4x1.8)	2
7	969-0009-00	PICK UP-ASSY	1	23	716-3470-00	SCREW(M1.7x3)	5
8	013-7414-50	DETECT SWITCH	1	24	738-1722-17	PRECISION SCREW	2
9	039-2015-01	P/U-FPC	1	25	738-2025-17	PRECISION SCREW	2
10	039-2016-01	M/S-FPC	1	26	716-3474-00	SCREW(M1.7x3)	2
11	347-6632-00	PU-SHEET	1	27	743-1500-20	E-RING	1
12	620-1078-00	PUSH PLATE	1	28	750-3487-00	SHIFT-P-SPRING	1
13	620-1080-01	PU-GUIDE PLATE	1	29	750-3504-00	CLAMP-A-SPRING	1
14	620-1081-00	SCREW PUSH-PLT	1	30	966-0619-04	DRIVE PLT-ASSY	1
15	620-1082-02	SPRING PLATE	1	31	745-0807-00	WASHER	1
16	620-1588-00	SCREW-HOL-PLT	1	32	745-0808-00	WASHER	1

# Tape mechanism section

\* The parts list of the exploded view is on page 14.



NO.	PART NO.	DESCRIPTION	Q'TY	NO.	PART NO.	DESCRIPTION	Q'TY
1	960-4294-22	DECK PLATE ASSY	1	25	611-0091-03	FLYWHEEL	2
2	960-4261-20	HEAD PLATE ASSY	1	26	613-0662-00	IDLER GEAR	2
3	960-4262-04	FF/REW-P ASSY	1	27	613-0286-03	FF/REW GEAR	2
4	960-4263-03	IDLER-P-ASSY L	1	28	613-0288-01	HELICAL GEAR	1
5	960-4264-03	IDLER-P-ASSY R	1	29	613-0289-01	GEAR A	1
6	960-4266-20	MODE PLATE ASSY	1	30	613-0337-00	POWER GEAR	1
7	960-4269-05	ROLLER ASSY F	1	31	630-2597-01	CHANGE LINK	1
8	960-4270-05	ROLLER ASSY R	1	32	630-2598-05	EJECT LINK	1
9	960-4348-03	REEL ASSY F	1	33	630-2600-01	ADJUST LINK	1
10	960-4349-03	REEL ASSY R	1	34	630-2601-02	MOTOR PLATE	1
11	960-4389-20	EJECT SUB ASSY	1	35	630-2626-06	PWB FRAME	1
11-1	750-3020-01	SWITCH PLATE SPRING	1	36	630-2642-01	GUIDE ARM	1
12	960-4338-09	BOTTOM SUB ASSY	1	37	631-1992-02	PACK STOPPER	1
12-1	960-4295-02	BOTTOM P-ASSY	1	38	631-1993-01	SLIDE BUSH	2
12-2	099-9926-01	BOTTOM PWB (WITHOUT COMPONENT)	1	39	716-0484-00	SCREW(M2x2.5)	13
12-3	013-3951-32	SWITCH(MODE)	1	40	716-1676-00	PWB SCREW(M2.6x6)	2
12-4	013-3953-01	SWITCH(METAL)	1	41	716-0833-10	SCREW(M2x5.6)	2
12-5	051-1776-00	IC	1	42	746-0624-00	WASHER	2
12-6	746-0767-00	WASHER	2	43	746-0724-00	WASHER	6
13	960-4282-06	DETECT SUB ASSY	1	44	746-0761-00	WASHER	2
14	960-4301-02	PLAY LINK ASSY	1	45	746-0762-00	WASHER	1
15	039-1912-01	SIDE PWB (WITHOUT COMPONENT)	1	46	750-2946-02	PINCH SPRING	1
16	039-1913-00	REAR PWB (WITHOUT COMPONENT)	1	47	750-2947-04	EJECT P-SPRING	1
17	SMA-168-100	MAIN MOTOR ASSY	1	48	750-2949-00	SLIDE SPRING	2
18	SMA-169-100	POWER MOTOR ASSY	1	49	750-3017-02	IDLER P-SPRING	1
19	011-0328-01	HEAD	1	50	074-0898-10	OUTLET SOCKET(10P)	1
20	602-0118-00	BELT	1	51	802-4906-60	WIRE(RED)	1
21	604-0046-00	TENSION PULLEY	1	52	806-4914-60	WIRE(BLUE)	1
22	606-0093-06	PACK GUIDE	1	53	816-2349-00	WIRE(WHITE)	1
23	610-0342-01	HEAD P-ROLLER	1	54	013-3906-00	SWITCH(TAPE IN)	1
24	610-0343-00	GUIDE A-ROLLER	1	55	074-1012-20	OUTLET SOCKET(20P)	1
				56	076-0368-10	PLUG(10P)	1

# ELECTRICAL PARTS LIST

Note) Several different parts of the same reference number are alternative parts.  
One of those parts is used in the set.

## Main PWB(B1) section

Some parts depend on each model. The model name is specified in the description.

REF No.	PART No.	DESCRIPTION	REF No.	PART No.	DESCRIPTION	REF No.	PART No.	DESCRIPTION
BL101	880-1917E	AM/FM TUNER (2530H)	C207	042-0592-58	16V10uF(2548N)	C604	168-2222-55	2200pF
BL101	880-1917F	AM/FM TUNER (2532D,2548N)	C208	166-5096-50	5pF CH(2548N)	C605	168-2222-55	2200pF
C101	166-1511-50	150pF CH	C209	166-5096-50	5pF CH(2548N)	C606	168-2222-55	2200pF
C102	166-4701-50	47pF CH (2532D,2548N)	C210	166-2201-50	22pF CH(2548N)	C607	168-2222-55	2200pF
C103	166-4701-50	47pF CH (2532D,2548N)	C211	166-2201-50	22pF CH(2548N)	C608	168-2222-55	2200pF
C104	168-1032-55	0.01uF (2532D,2548N)	C212	166-5096-50	5pF CH(2548N)	C609	168-2222-55	2200pF
C105	168-6812-55	680pF (2532D,2548N)	C213	166-5096-50	5pF CH(2548N)	C610	168-2222-55	2200pF
C106	168-4732-78	0.047uF (2532D,2548N)	C305	163-2263-35	16V22uF	C611	172-1041-15	0.1uF
C107	168-3332-78	0.033uF (2532D,2548N)	C307	042-0592-73	50V1uF	C612	042-0551-02	16V1000uF
C108	183-1053-68	50V1uF (2532D,2548N)	C308	183-1053-68	50V1uF	C613	183-1053-68	50V1uF
C109	168-3922-55	3900pF (2532D,2548N)	C309	183-1053-68	50V1uF(2548N)	C614	172-1041-15	0.1uF(2532D)
C110	168-1032-55	0.01uF (2532D,2548N)	C310	183-1053-68	50V1uF(2548N)	C615	183-1063-38	16V10uF(2532D)
C111	168-1022-55	1000pF (2532D,2548N)	C311	183-1053-68	50V1uF	C620	168-2232-55	0.022uF
C112	168-1032-55	0.01uF (2532D,2548N)	C312	042-0592-73	50V1uF	C701	183-1053-68	50V1uF
C113	166-2201-50	22pF CH (2532D,2548N)	C316	183-1053-68	50V1uF	C702	183-1053-68	50V1uF
C114	178-2242-78	0.22uF	C317	183-1053-68	50V1uF	C705	042-0592-58	16V10uF
C115	166-1007-50	10pF CH	C323	178-1842-78	0.18uF	C706	042-0592-58	16V10uF
C116	183-4763-18	6.3V47uF	C324	178-1842-78	0.18uF	C707	042-0592-58	16V10uF
C117	168-5612-55	560pF	C325	178-1842-78	0.18uF	C708	042-0592-58	16V10uF
C119	166-4701-50	47pF CH	C326	178-1842-78	0.18uF	C711	166-5601-50	56pF CH
C120	183-2253-68	50V2.2uF	C327	168-8212-55	820pF	C712	166-5601-50	56pF CH
C121	183-1073-28	10V100uF	C328	168-8212-55	820pF	C713	166-2201-50	22pF CH
C122	043-0277-51	0.022uF	C329	168-8212-55	820pF	C714	166-2201-50	22pF CH
C123	166-5601-50	56pF CH	C330	168-8212-55	820pF	C715	166-2201-50	22pF CH
C124	168-1042-78	16V 0.1uF	C331	042-0592-58	16V10uF	C716	166-2201-50	22pF CH
C125	183-1073-28	10V100uF	C332	042-0592-58	16V10uF	C717	166-5601-50	56pF CH
C126	168-3312-55	330pF	C333	168-1832-55	0.018uF	C718	166-5601-50	56pF CH
C129	168-1042-78	16V 0.1uF	C334	168-1022-55	1000pF	C719	166-5601-50	56pF CH
C130	183-1073-28	10V100uF	C401	168-1042-78	16V 0.1uF	C720	166-5601-50	56pF CH
C132	178-1052-78	1uF	C402	168-1042-78	16V 0.1uF	C721	166-2201-50	22pF CH
C133	168-1232-55	0.012uF	C403	168-1042-78	16V 0.1uF	C722	166-2201-50	22pF CH
C134	181-1053-69	50V1uF	C404	168-1042-78	16V 0.1uF	C723	166-2201-50	22pF CH
C135	183-4763-38	16V47uF	C405	042-0505-82	16V10uF	C724	166-2201-50	22pF CH
C136	043-0277-51	0.022uF	C406	168-1042-78	16V 0.1uF	C725	166-5601-50	56pF CH
C138	168-1022-55	1000pF	C408	178-1052-78	1uF	C726	166-5601-50	56pF CH
C140	183-4763-38	16V47uF	C409	168-2232-55	0.022uF	C727	042-0548-52	10V220uF
C141	168-2232-55	0.022uF	C410	168-1042-78	16V 0.1uF	C728	042-0548-52	10V220uF
C142	166-1011-50	100pF CH	C412	166-1011-50	100pF CH	C729	042-0548-52	10V220uF
C143	166-1011-50	100pF CH	C414	166-1011-50	100pF CH	C730	042-0548-52	10V220uF
C144	166-1011-50	100pF CH	C416	166-1011-50	100pF CH	C731	042-0548-52	10V220uF
C145	166-1011-50	100pF CH	C417	166-1011-50	100pF CH	C732	042-0548-52	10V220uF
C146	166-1801-50	18pF CH	C418	168-1022-55	1000pF	C733	042-0548-52	10V220uF
C147	168-3932-78	0.039uF	C420	183-4763-18	6.3V47uF	C734	042-0548-52	10V220uF
C148	168-3932-78	0.039uF	C421	168-1042-78	16V 0.1uF	C737	042-0548-52	10V220uF
C149	168-3932-78	0.039uF	C422	168-1022-55	1000pF	C740	182-4763-35	16V47uF
C150	168-3932-78	0.039uF	C423	168-1042-78	16V 0.1uF	C743	183-1063-38	16V10uF
C151	166-1801-50	18pF CH	C424	168-1032-55	0.01uF	C744	042-0562-65	10V220uF
C152	168-4722-55	4700pF	C434	168-2222-55	2200pF (2530H,2548N)	C745	166-2201-50	22pF CH
C153	166-1201-50	12pF CH	C461	178-1052-78	1uF	C1001	042-0562-67	16V10uF
C154	168-1032-55	0.01uF	C462	166-1011-50	100pF CH	C1002	042-0562-67	16V10uF
C156	166-2201-50	22pF CH	C463	166-1011-50	100pF CH	C1003	042-0562-67	16V10uF
C158	166-2201-50	22pF CH	C464	166-1011-50	100pF CH	C1004	042-0562-67	16V10uF
C201	168-2222-55	2200pF(2548N)	C465	166-1011-50	100pF CH	C1006	168-1022-55	1000pF
C204	042-0592-58	16V10uF(2548N)	C466	166-1011-50	100pF CH	C1007	168-2232-55	0.022uF
C205	042-0592-58	16V10uF(2548N)	C501	168-1042-78	16V 0.1uF	C1010	168-1022-55	1000pF
C206	042-0592-58	16V10uF(2548N)	C502	183-1073-28	10V100uF	C1011	168-1022-55	1000pF
			C503	183-1063-38	16V10uF	C1012	183-1066-38	16V10uF NP
			C504	182-1073-37	16V100uF	C1013	183-1066-38	16V10uF NP
			C505	168-1042-78	16V 0.1uF	C1017	168-1022-55	1000pF
			C506	163-1073-35	16V100uF	C1018	168-1022-55	1000pF
			C507	182-1073-37	16V100uF	CCT401	050-0122-50	1/16W10k ohm x4 J
			C508	182-1073-37	16V100uF	CCT402	050-0140-54	1/32W 1k ohm x4J
			C509	042-0423-94	10V 4.7uF	CCT403	050-0140-54	1/32W 1k ohm x4J
			C510	168-1042-78	16V 0.1uF	CCT404	050-0140-54	1/32W 1k ohm x4J
			C511	183-1063-38	16V10uF	CCT405	050-0140-54	1/32W 1k ohm x4J
			C515	183-4763-38	16V47uF	CCT406	050-0140-54	1/32W 1k ohm x4J
			C601	168-2222-55	2200pF	CCT407	050-0140-54	1/32W 1k ohm x4J
			C602	168-2222-55	2200pF	CCT408	050-0140-54	1/32W 1k ohm x4J
			C603	168-2222-55	2200pF	CCT409	050-0140-54	1/32W 1k ohm x4J
						CCT411	050-0140-54	1/32W 1k ohm x4J

REF No.	PART No.	DESCRIPTION	REF No.	PART No.	DESCRIPTION	REF No.	PART No.	DESCRIPTION
CCT412	050-0140-54	1/32W 1k ohm x4J	L103	010-2198-53	5.6uH	Q506	190-1048-00	2SA1048
CCT414	050-0140-54	1/32W 1k ohm x4J			(2532D,2548N)	Q506	190-1015-00	2SA1015
CCT415	050-0140-54	1/32W 1k ohm x4J	L104	010-2003-04	COIL	Q507	191-1205-60	2SB1205RST
CCT417	050-0140-54	1/32W 1k ohm x4J	L106	010-6009-76	22uH	Q508	125-9003-92	IMD3
D101	001-3205-90	1SV251	L107	010-2312-52	0.27uH	Q508	125-9002-92	RN4602
		(2532D,2548N)			(2532D,2548N)	Q603	193-0601-00	2SD601A
D102	001-3205-90	1SV251	L151	010-6009-76	22uH	Q603	192-2712-00	2SC2712
		(2532D,2548N)	L401	010-3407-66	22uH	Q604	125-2005-91	UN2211
D400	001-0516-90	MA111	L601	010-8028-00	520uH	Q604	125-2004-92	RN1402
D400	001-0517-90	1SS355	P1001	074-0898-18	18P	Q605	191-0709-00	2SB709A-Q.R.S
D401	001-0516-90	MA111	P1002	074-0898-06	OUTLET SOCKET	Q605	190-1037-00	2SA1037
D401	001-0517-90	1SS355			(6P)	Q606	100-1359-00	2SA1359
D402	001-0529-44	MA8082-M	P201	076-0368-18	18P	Q607	125-2005-91	UN2211
D402	001-4301-44	HZU8.2B2	P202	076-0368-06	PLUG(6P)	Q607	125-2004-92	RN1402
D409	001-0529-48	MA8091-H	P402	074-0834-10	10P(2530H,2548N)	Q608	191-0709-00	2SB709A-Q.R.S
		(2530H,2548N)	P402	076-0540-10	10P(2532D)	Q608	190-1037-00	2SA1037
D409	001-4301-48	HZU9.1B3	P403	076-0509-20	20P	Q609	100-1359-00	2SA1359
		(2530H,2548N)	Q101	193-0601-00	2SD601A	Q701	193-0601-00	2SD601A
D501	001-0504-49	HZS9 C3L			(2532D,2548N)	Q701	192-2712-00	2SC2712
D502	001-0504-48	HZS9C2L	Q101	192-2712-00	2SC2712	Q703	193-0601-00	2SD601A
D503	001-0466-90	S5688B			(2532D,2548N)	Q703	192-2712-00	2SC2712
D504	001-0466-90	S5688B	Q102	193-0601-00	2SD601A	Q704	191-0709-00	2SB709A-Q.R.S
D602	001-0529-34	MA8062-L			(2532D,2548N)	Q704	190-1037-00	2SA1037
D602	001-4301-34	HZU6.2B1	Q102	192-2712-00	2SC2712	Q705	191-0709-00	2SB709A-Q.R.S
D603	001-0466-90	S5688B			(2532D,2548N)	Q705	190-1037-00	2SA1037
D604	001-0516-90	MA111	Q103	125-2005-91	UN2211	Q706	191-0709-00	2SB709A-Q.R.S
D604	001-0517-90	1SS355			(2532D,2548N)	Q706	190-1037-00	2SA1037
D605	001-0466-90	S5688B	Q103	125-2004-92	RN1402	Q707	191-0709-00	2SB709A-Q.R.S
D606	001-0516-90	MA111			(2532D,2548N)	Q707	190-1037-00	2SA1037
D606	001-0517-90	1SS355	Q104	125-2005-91	UN2211	Q1001	125-0001-91	UN2111
D607	001-2015-00	RL253			(2532D,2548N)	Q1001	125-0002-92	RN2402
D608	001-0466-90	S5688B	Q104	125-2004-92	RN1402	Q1001	125-0014-92	DTA114EK
D703	001-0356-91	1SS184			(2532D,2548N)	Q1003	193-0601-00	2SD601A
D703	001-0354-91	MA151WK	Q105	192-2712-51	2SC2712G,L	Q1003	192-2712-00	2SC2712
D1002	001-0422-38	MTZJ36	Q105	192-2412-50	2SC2412K-R.S	Q1006	125-2005-91	UN2211
D1003	001-0529-44	MA8082-M	Q106	125-2005-91	UN2211	Q1006	125-2004-92	RN1402
D1003	001-4301-44	HZU8.2B2	Q106	125-2004-92	RN1402	Q1007	125-9006-90	IMX1
D1006	001-0589-91	1SS145	Q107	192-2712-51	2SC2712G,L	Q1007	125-9007-90	HN1C01F
D1007	001-0589-91	1SS145	Q107	192-2412-50	2SC2412K-R.S	Q1008	125-0001-91	UN2111
D1009	001-0584-35	MA8240	Q109	190-1298-00	2SA1298	Q1008	125-0002-92	RN2402
D1009	001-4302-35	UDZTE-17	Q111	190-1298-00	2SA1298	Q1008	125-0014-92	DTA114EK
D1010	001-0516-90	MA111	Q113	193-0601-00	2SD601A	Q1009	193-0601-00	2SD601A
D1010	001-0517-90	1SS355	Q113	192-2712-00	2SC2712	Q1009	192-2712-00	2SC2712
IC101	051-4603-90	TA2083FN	Q201	125-2005-91	UN2211(2548N)	Q1010	125-2005-91	UN2211
		(2532D,2548N)	Q201	125-2004-92	RN1402(2548N)	Q1010	125-2004-92	RN1402
IC102	051-4607-90	SAA6581T	Q202	125-9003-92	IMD3(2548N)	Q1011	193-0601-00	2SD601A
IC104	051-6212-08	LC72191JM-TLM	Q202	125-9002-92	RN4602(2548N)	Q1011	192-2712-00	2SC2712
IC201	051-3020-90	NJM4565V(2548N)	Q401	125-2004-96	RN1406	R101	119-4741-15	1/16W 470k ohm
IC302	051-5027-00	LC75412WH	Q401	125-2020-96	DTC143ZK			(2532D,2548N)
IC401	051-1014-08	TA7291F	Q402	190-1428-00	2SA1428	R102	119-1031-15	1/16W 10k ohm
IC403	051-3034-90	NJM4558V	Q404	125-2005-91	UN2211			(2532D,2548N)
IC404	052-3177-00	M30624MGA-E86GP	Q404	125-2004-92	RN1402	R103	119-4741-15	1/16W 470k ohm
		(2530H,2532D)	Q405	191-0709-00	2SB709A-Q.R.S			(2532D,2548N)
IC404	052-3177-10	M30624MGA-147GP	Q405	190-1037-00	2SA1037	R104	119-1021-15	1/16W 1k ohm
		(2548N)	Q411	193-0601-00	2SD601A			(2532D,2548N)
IC405	051-5436-08	S-80933ANMP-DDX			(2530H,2548N)	R105	119-1021-15	1/16W 1k ohm
IC501	051-1834-00	LM2936	Q411	192-2712-00	2SC2712			(2532D,2548N)
IC601	051-5418-08	S-80827ANMP-EDQ			(2530H,2548N)	R106	119-8201-15	1/16W 82 ohm
IC701	051-1407-00	NJM4556AL	Q415	125-2005-91	UN2211			(2532D,2548N)
IC702	051-1407-00	NJM4556AL	Q415	125-2004-92	RN1402	R107	119-4741-15	1/16W 470k ohm
IC703	051-1407-00	NJM4556AL	Q416	193-0601-00	2SD601A			(2532D,2548N)
IC704	051-1407-00	NJM4556AL	Q416	192-2712-00	2SC2712	R108	119-1031-15	1/16W 10k ohm
IC705	051-3020-90	NJM4565V	Q417	193-0601-00	2SD601A			(2532D,2548N)
IC707	051-3020-90	NJM4565V	Q417	192-2712-00	2SC2712	R109	119-1031-15	1/16W 10k ohm
J1001	074-1087-12	OUTLET SOCKET	Q418	125-0001-91	UN2111			(2532D,2548N)
J1002	074-1013-30	OUTLET SOCKET	Q418	125-0002-92	RN2402	R100	119-0000-05	1/16W 0 ohm
J201	074-1236-10	OUTLET SOCKET	Q418	125-0014-92	DTA114EK			JW(2530H)
		(2548N)	Q501	103-2353-00	2SD2353	R110	119-2231-15	1/16W 22k ohm
J402	074-1192-22	22P	Q502	193-2118-00	2SD2118			(2532D,2548N)
J601	074-1141-00	NS10+6	Q503	193-1858-00	2SD1858	R111	119-1031-15	1/16W 10k ohm
L101	010-2046-41	560uF	Q504	125-9003-92	IMD3			(2532D,2548N)
		(2532D,2548N)	Q504	125-9002-92	RN4602	R112	119-4741-15	1/16W 470k ohm
L102	010-2198-65	0.1uH	Q505	125-2005-91	UN2211			(2530H)
		(2532D,2548N)	Q505	125-2004-92	RN1402	R113	119-2221-15	1/16W 2.2k ohm

REF No.	PART No.	DESCRIPTION	REF No.	PART No.	DESCRIPTION	REF No.	PART No.	DESCRIPTION
R115	119-1021-15	1/16W 1k ohm	R409	116-1001-15	1/8W 10 ohm	R614	111-5691-98	1/4W 5.6 ohm
R116	119-1021-15	1/16W 1k ohm	R410	119-2221-15	1/16W 2.2k ohm	R615	111-5691-98	1/4W 5.6 ohm
R117	119-4721-15	1/16W 4.7k ohm	R411	119-1041-15	1/16W 100k ohm	R616	116-1531-15	1/8W 15k ohm
R119	119-1021-15	1/16W 1k ohm			(2530H,2548N)	R617	114-2291-18	1W 2.2 ohm(2532D)
R120	119-2221-15	1/16W 2.2k ohm	R412	119-1021-15	1/16W 1k ohm	R618	119-0000-05	1/16W 0 ohm JW (2532D)
R121	119-4721-15	1/16W 4.7k ohm	R414	119-4731-15	1/16W 47k ohm			
R122	119-8201-15	1/16W 82 ohm	R415	119-4731-15	1/16W 47k ohm (2532D)	R701	119-4731-15	1/16W 47k ohm
R124	119-3321-15	1/16W 3.3k ohm				R702	119-1041-15	1/16W 100k ohm
R126	116-1501-15	1/8W 150 ohm	R416	119-4731-15	1/16W 47k ohm	R703	119-1031-15	1/16W 10k ohm
R127	116-1001-15	1/8W 10 ohm	R417	119-1021-15	1/16W 1k ohm	R704	119-4731-15	1/16W 47k ohm
R128	119-2221-15	1/16W 2.2k ohm	R418	119-1041-15	1/16W 100k ohm	R705	119-1041-15	1/16W 100k ohm
R129	119-2221-15	1/16W 2.2k ohm	R419	119-4731-15	1/16W 47k ohm	R706	119-1031-15	1/16W 10k ohm
R130	119-1031-15	1/16W 10k ohm	R421	119-4731-15	1/16W 47k ohm	R708	119-5621-15	1/16W 5.6k ohm
R131	119-1031-15	1/16W 10k ohm	R423	119-4731-15	1/16W 47k ohm	R709	119-5621-15	1/16W 5.6k ohm
R132	119-4721-15	1/16W 4.7k ohm	R425	119-4731-15	1/16W 47k ohm	R710	119-5621-15	1/16W 5.6k ohm
R133	119-1021-15	1/16W 1k ohm	R428	119-4731-15	1/16W 47k ohm	R711	119-5621-15	1/16W 5.6k ohm
R134	119-2221-15	1/16W 2.2k ohm	R429	119-1021-15	1/16W 1k ohm	R714	119-3321-15	1/16W 3.3k ohm
R135	119-1021-15	1/16W 1k ohm	R431	119-4731-15	1/16W 47k ohm	R715	119-1031-15	1/16W 10k ohm
R136	119-1021-15	1/16W 1k ohm	R433	119-4731-15	1/16W 47k ohm	R716	119-1031-15	1/16W 10k ohm
R137	116-2701-15	1/4W 27 ohm	R434	119-2231-15	1/16W 22k ohm	R717	119-3321-15	1/16W 3.3k ohm
R140	119-4721-15	1/16W 4.7k ohm (2532D,2548N)	R436	119-2231-15	1/16W 22k ohm	R718	119-1031-15	1/16W 10k ohm
			R437	032-0140-52	1/16W 33k ohm F	R719	119-1031-15	1/16W 10k ohm
R141	119-4731-15	1/16W 47k ohm	R438	119-2231-15	1/16W 22k ohm	R720	119-3321-15	1/16W 3.3k ohm
R142	119-1031-15	1/16W 10k ohm	R440	119-4731-15	1/16W 47k ohm	R721	119-3321-15	1/16W 3.3k ohm
R143	119-1031-15	1/16W 10k ohm	R442	119-1021-15	1/16W 1k ohm	R722	119-2231-15	1/16W 22k ohm
R161	119-0000-05	1/16W 0 ohm JW (2532D,2548N)	R444	119-4731-15	1/16W 47k ohm	R723	119-2231-15	1/16W 22k ohm
			R445	032-0140-52	1/16W 33k ohm F	R724	119-1001-15	1/16W 10 ohm
R162	119-0000-05	1/16W 0 ohm JW (2532D,2548N)	R447	119-4731-15	1/16W 47k ohm	R725	119-2231-15	1/16W 22k ohm
			R448	032-0140-00	1/10W 56k ohm F	R726	119-2031-15	1/16W 20k ohm
R201	116-1211-15	1/8W 120 ohm (2548N)	R449	032-0140-00	1/10W 56k ohm F	R727	119-1001-15	1/16W 10 ohm
			R452	119-1031-15	1/16W 10k ohm	R728	119-3931-15	1/16W 39k ohm
R203	119-1831-15	1/16W 18k ohm (2548N)	R453	119-4731-15	1/16W 47k ohm	R729	119-3931-15	1/16W 39k ohm
			R458	119-4731-15	1/16W 47k ohm	R730	119-1031-15	1/16W 10k ohm
R206	119-1031-15	1/16W 10k ohm (2548N)	R459	119-4731-15	1/16W 47k ohm	R731	119-1031-15	1/16W 10k ohm
			R460	119-1041-15	1/16W 100k ohm	R732	119-2231-15	1/16W 22k ohm
R207	119-1031-15	1/16W 10k ohm (2548N)	R463	119-4731-15	1/16W 47k ohm	R733	119-1001-15	1/16W 10 ohm
			R469	119-4731-15	1/16W 47k ohm	R734	119-2231-15	1/16W 22k ohm
R208	032-0106-65	1/10W 100k ohm D (2548N)	R472	119-4741-15	1/16W 470k ohm (2530H,2548N)	R735	119-1001-15	1/16W 10 ohm
						R736	119-1541-15	1/16W 150k ohm
R209	032-0106-65	1/10W 100k ohm D (2548N)	R479	119-4741-15	1/16W 470k ohm (2530H,2548N)	R737	119-1541-15	1/16W 150k ohm
						R738	119-2231-15	1/16W 22k ohm
R210	032-0106-65	1/10W 100k ohm D (2548N)	R480	119-4731-15	1/16W 47k ohm	R739	119-2231-15	1/16W 22k ohm
			R481	119-4731-15	1/16W 47k ohm	R740	119-1001-15	1/16W 10 ohm
R211	032-0106-65	1/10W 100k ohm D (2548N)	R487	119-4731-15	1/16W 47k ohm	R741	119-2231-15	1/16W 22k ohm
			R488	119-4731-15	1/16W 47k ohm	R742	119-2031-15	1/16W 20k ohm
R212	032-0106-69	1/10W 39k ohm D (2548N)	R489	119-4731-15	1/16W 47k ohm	R743	119-1001-15	1/16W 10 ohm
			R492	119-4731-15	1/16W 47k ohm	R744	119-3931-15	1/16W 39k ohm
R213	032-0106-69	1/10W 39k ohm D (2548N)	R493	119-4731-15	1/16W 47k ohm	R745	119-3931-15	1/16W 39k ohm
			R494	119-4731-15	1/16W 47k ohm	R746	119-1031-15	1/16W 10k ohm
R214	032-0106-69	1/10W 39k ohm D (2548N)	R495	119-1031-15	1/16W 10k ohm	R747	119-1031-15	1/16W 10k ohm
			R496	119-5631-15	1/16W 56k ohm	R748	119-2231-15	1/16W 22k ohm
R215	032-0106-69	1/10W 39k ohm D (2548N)	R497	119-1021-15	1/16W 1k ohm	R749	119-1001-15	1/16W 10 ohm
			R501	111-2211-98	1/4W 220 ohm	R750	119-2231-15	1/16W 22k ohm
R217	119-0000-05	1/16W 0 ohm JW (2548N)	R502	116-3911-15	1/8W 390 ohm	R751	119-1001-15	1/16W 10 ohm
			R503	119-1031-15	1/16W 10k ohm	R756	119-1031-15	1/16W 10k ohm
R218	119-0000-05	1/16W 0 ohm JW	R504	116-1011-15	1/8W 100 ohm	R757	119-1031-15	1/16W 10k ohm
R310	119-2731-15	1/16W 27k ohm	R505	119-4721-15	1/16W 4.7k ohm	R758	119-4731-15	1/16W 47k ohm
R311	119-2731-15	1/16W 27k ohm	R506	119-1021-15	1/16W 1k ohm	R759	119-4731-15	1/16W 47k ohm
R312	119-2731-15	1/16W 27k ohm	R507	119-1031-15	1/16W 10k ohm	R1002	119-3011-15	1/16W 300 ohm
R313	119-2731-15	1/16W 27k ohm	R508	116-7501-15	1/8W 75 ohm	R1003	119-3011-15	1/16W 300 ohm
R320	119-2731-15	1/16W 27k ohm	R509	116-2201-15	1/8W 22 ohm	R1004	119-1031-15	1/16W 10k ohm
R321	119-2731-15	1/16W 27k ohm	R510	116-2201-15	1/8W 22 ohm	R1005	119-5631-15	1/16W 56k ohm
R351	119-4721-15	1/16W 4.7k ohm	R511	119-1041-15	1/16W 100k ohm	R1006	119-1021-15	1/16W 1k ohm
R352	119-4721-15	1/16W 4.7k ohm	R601	119-4741-15	1/16W 470k ohm	R1010	119-2231-15	1/16W 22k ohm
R355	119-4721-15	1/16W 4.7k ohm	R602	119-2741-15	1/16W 270k ohm	R1015	119-4731-15	1/16W 47k ohm
R356	119-4721-15	1/16W 4.7k ohm	R605	119-1031-15	1/16W 10k ohm	R1016	119-1031-15	1/16W 10k ohm
R401	119-1031-15	1/16W 10k ohm	R606	119-5611-15	1/16W 560 ohm	R1017	119-1031-15	1/16W 10k ohm
R402	119-1031-15	1/16W 10k ohm	R607	116-1221-15	1/8W 1.2k ohm	R1018	119-5631-15	1/16W 56k ohm
R403	116-1221-15	1/8W 1.2k ohm	R608	119-4721-15	1/16W 4.7k ohm	R1019	119-5631-15	1/16W 56k ohm
R404	116-1221-15	1/8W 1.2k ohm	R609	111-6891-98	1/4W 6.8 ohm	R1020	119-5621-15	1/16W 5.6k ohm
R405	119-1031-15	1/16W 10k ohm	R610	111-6891-98	1/4W 6.8 ohm	R1021	119-5621-15	1/16W 5.6k ohm
R406	116-1001-15	1/8W 10 ohm	R611	116-1221-15	1/8W 1.2k ohm	R1022	119-3011-15	1/16W 300 ohm
R407	116-1001-15	1/8W 10 ohm	R612	119-4721-15	1/16W 4.7k ohm	R1026	119-4731-15	1/16W 47k ohm
R408	116-1001-15	1/8W 10 ohm	R613	116-1221-15	1/8W 1.2k ohm	R1040	119-1031-15	1/16W 10k ohm

REF No.	PART No.	DESCRIPTION	REF No.	PART No.	DESCRIPTION	REF No.	PART No.	DESCRIPTION
R1041	119-5631-15	1/16W 56k ohm	SUP101	060-0122-91	DSP-141N-S00B	VR102	012-5203-56	10k ohm
R1042	119-1031-15	1/16W 10k ohm			(2532D,2548N)	X101	061-3013-90	4.332MHz
R1043	119-4721-15	1/16W 4.7k ohm	SUP102	060-0122-91	DSP-141N-S00B	X102	061-1066-80	7.2MHz
R1044	119-1531-15	1/16W 15k ohm	VR101	012-5203-63	470k ohm	X401	060-1505-50	10MHz
R1045	119-3321-15	1/16W 3.3k ohm			(2532D,2548N)			

Escutcheon PWB(B2) section : PN-2532D

REF No.	PART No.	DESCRIPTION	REF No.	PART No.	DESCRIPTION	REF No.	PART No.	DESCRIPTION
D901	001-7069-90	LED YELLOW	J901	074-1151-10	10P	R906	116-8211-15	1/8W 820 ohm
D902	001-7069-90	LED YELLOW	R901	116-2221-15	1/8W 2.2k ohm	S901	013-7415-50	SPVG110400
D903	001-7069-90	LED YELLOW	R902	116-2221-15	1/8W 2.2k ohm	S902	013-6201-50	SKPMAA
D904	001-7069-90	LED YELLOW	R903	116-3321-15	1/8W 3.3k ohm	S903	013-6201-50	SKPMAA
D905	001-7069-90	LED YELLOW	R904	116-6821-15	1/8W 6.8k ohm	S904	013-6201-50	SKPMAA
D906	001-7069-90	LED YELLOW	R905	116-8211-15	1/8W 820 ohm			

CD PWB section(B3) : CD changer mechanism

REF No.	PART No.	DESCRIPTION	REF No.	PART No.	DESCRIPTION	REF No.	PART No.	DESCRIPTION
C2	046-1022-58	1000pF	C39	042-0636-50	6.3V100uF	R16	033-5631-15	1/16W 56k ohm
C3	168-1042-78	16V 0.1uF	C40	045-1211-50	120pF	R17	033-1031-15	1/16W 10k ohm
C4	042-0636-54	4V220uF	C41	045-5601-50	56pF	R18	033-1031-15	1/16W 10k ohm
C5	168-1042-78	16V 0.1uF	C42	168-1042-78	16V 0.1uF	R19	033-5621-15	1/16W 5.6k ohm
C6	046-1032-78	0.01uF	C43	042-0636-52	4V47uF	R20	033-6831-15	1/16W 68k ohm
C7	168-1042-78	16V 0.1uF	C50	168-1042-78	16V 0.1uF	R21	033-5621-15	1/16W 5.6k ohm
C8	178-4742-78	0.47uF	C51	168-1042-78	16V 0.1uF	R22	033-1031-15	1/16W 10k ohm
C9	178-2242-78	0.22uF	C60	168-5612-55	560pF	R23	033-1031-15	1/16W 10k ohm
C10	168-1042-78	16V 0.1uF	D1	001-0516-90	MA111	R24	033-4731-15	1/16W 47k ohm
C11	168-1042-78	16V 0.1uF	IC1	051-6365-00	MN662785TBUC	R25	033-3931-15	1/16W 39k ohm
C12	168-1042-78	16V 0.1uF	IC2	051-9318-00	MSM51V17400D-60TS-K	R26	033-6831-15	1/16W 68k ohm
C13	046-2232-78	0.022uF	IC3	051-6060-08	BD7961FM-E2	R27	033-6831-15	1/16W 68k ohm
C14	168-5612-55	560pF	IC4	051-5711-90	AN8882SB-E1	R28	033-1031-15	1/16W 10k ohm
C15	168-1042-78	16V 0.1uF	J1	074-1189-95	45P	R29	033-2201-15	1/16W 22 ohm
C16	046-2212-58	220pF	J4	074-1138-56	6P	R31	033-8211-15	1/16W 820 ohm
C17	046-2212-58	220pF	J5	074-1201-65	15P	R32	033-5631-15	1/16W 56k ohm
C18	168-1222-55	1200pF	J6	074-1059-76	26P	R33	033-6831-15	1/16W 68k ohm
C19	046-3322-58	3300pF	L2	010-3050-93	10uH	R34	033-3331-15	1/16W 33k ohm
C20	168-3932-78	0.039uF	L2	010-3050-93	10uH	R35	033-6831-15	1/16W 68k ohm
C21	168-3932-78	0.039uF	Q2	131-1188-00	2SB1188	R38	033-3931-15	1/16W 39k ohm
C22	042-0416-52	10V10uF TAN	Q3	131-1188-00	2SB1188	R39	033-1831-15	1/16W 18k ohm
C25	178-1052-78	1uF	R2	033-1041-15	1/16W 100k ohm	R40	117-1001-15	1/10W 10 ohm
C26	042-0472-91	16V47uF	R4	033-3311-15	1/16W 330 ohm	R41	033-6821-15	1/16W 6.8k ohm
C27	178-3342-78	0.33uF	R5	033-1041-15	1/16W 100k ohm	R42	033-6821-15	1/16W 6.8k ohm
C29	168-2732-55	16V 0.027uF	R6	033-3931-15	1/16W 39k ohm	R43	033-1241-15	1/16W 120k ohm
C30	042-0416-58	4V100uF	R7	033-1041-15	1/16W 100k ohm	R44	033-6831-15	1/16W 68k ohm
C31	042-0636-52	4V47uF	R8	033-5611-15	1/16W 560 ohm	R45	116-4711-15	1/8W 470 ohm
C32	046-1022-58	1000pF	R9	033-5611-15	1/16W 560 ohm	R46	117-1811-15	1/10W 180 ohm
C33	046-3322-58	3300pF	R10	033-1011-15	1/16W 100 ohm	R47	116-4711-15	1/8W 470 ohm
C34	168-2732-55	16V 0.027uF	R11	033-3911-15	1/16W 390 ohm	R48	033-1031-15	1/16W 10k ohm
C35	178-2742-78	0.27uF	R12	033-2221-15	1/16W 2.2k ohm	R49	033-1011-15	1/16W 100 ohm
C36	178-1052-78	1uF	R13	033-6831-15	1/16W 68k ohm	R60	033-1031-15	1/16W 10k ohm
C37	168-1042-78	16V 0.1uF	R14	033-5621-15	1/16W 5.6k ohm	TM1	073-0768-90	TERMINAL
C38	042-0472-91	16V47uF	R15	033-1021-15	1/16W 1k ohm	X1	060-1527-90	33.8688MHz

Side PWB section(B4) : CD changer mechanism

REF No.	PART No.	DESCRIPTION	REF No.	PART No.	DESCRIPTION	REF No.	PART No.	DESCRIPTION
C101	168-1045-56	0.1uF	C119	168-2722-55	2700pF	IC502	052-5047-21	M30621MCM-5N4GP
C102	168-1032-55	0.01uF	C120	168-1022-55	1000pF	IC503	051-5418-08	S-80827ANMP-EDQ
C104	163-1073-15	6.3V100uF	C121	163-2263-35	16V22uF	IC504	051-1407-90	NJM4556AM
C106	163-1063-35	16V10uF	C122	168-1022-55	1000pF	J101	074-1189-95	45P
C107	163-1073-15	6.3V100uF	C123	163-2263-35	16V22uF	J102	074-1191-22	22P
C108	168-1042-78	16V 0.1uF	C124	042-0403-55	16V33uF	L101	010-3071-65	18uH
C109	168-1042-78	16V 0.1uF	C125	042-0403-55	16V33uF	L102	010-3407-68	33uH J
C110	168-1042-78	16V 0.1uF	C501	163-1063-35	16V10uF	P101	076-0478-55	PLUG
C111	163-1073-35	16V100uF	C502	168-1045-56	0.1uF	Q101	125-2004-92	RN1402
C112	168-2722-55	2700pF	C503	168-4735-56	0.047uF	Q102	131-1188-50	2SB1188PQR
C113	163-2263-35	16V22uF	C504	168-1045-56	0.1uF	Q103	193-1758-00	2SD1758TK-P,Q,R
C114	163-2263-35	16V22uF	D100	001-0516-90	MA111	Q104	193-1758-00	2SD1758TK-P,Q,R
C115	166-3311-50	330pF CH	D103	001-0504-07	HZS4BLL	Q105	125-0014-92	DTA114EK
C116	166-3311-50	330pF CH	D104	001-0516-90	MA111	Q106	125-2004-92	RN1402
C117	166-1011-50	100pF CH	D105	001-0529-31	MA8056-L	Q502	190-1162-00	2SA1162
C118	166-1011-50	100pF CH	IC501	051-9400-28	BR93LC46F-WE2			

REF No.	PART No.	DESCRIPTION	REF No.	PART No.	DESCRIPTION	REF No.	PART No.	DESCRIPTION
Q503	190-1162-00	2SA1162	R116	119-5611-15	1/16W 560 ohm	R517	119-1041-15	1/16W 100k ohm
Q504	192-2712-00	2SC2712	R117	119-5611-15	1/16W 560 ohm	R518	119-2241-15	1/16W 220k ohm
Q505	125-2004-92	RN1402	R118	119-4731-15	1/16W 47k ohm	R522	119-1041-15	1/16W 100k ohm
Q506	125-0014-92	DTA114EK	R119	119-4731-15	1/16W 47k ohm	R524	119-1041-15	1/16W 100k ohm
Q507	125-0002-92	RN2402	R120	119-3941-15	1/16W 390k ohm	R526	119-4731-15	1/16W 47k ohm
Q508	192-2712-00	2SC2712	R121	119-1041-15	1/16W 100k ohm	R529	119-1021-15	1/16W 1k ohm
R101	119-4711-15	1/16W 470 ohm	R123	119-1041-15	1/16W 100k ohm	R531	119-1021-15	1/16W 1k ohm
R102	119-2231-15	1/16W 22k ohm	R124	119-1041-15	1/16W 100k ohm	R532	119-1021-15	1/16W 1k ohm
R103	119-1821-15	1/16W 1.8k ohm	R125	119-1041-15	1/16W 100k ohm	R533	119-1021-15	1/16W 1k ohm
R104	119-1831-15	1/16W 18k ohm	R504	119-5621-15	1/16W 5.6k ohm	R535	119-2231-15	1/16W 22k ohm
R105	116-1211-15	1/8W 120 ohm	R505	119-1031-15	1/16W 10k ohm	R536	119-2231-15	1/16W 22k ohm
R106	119-1041-15	1/16W 100k ohm	R506	119-1041-15	1/16W 100k ohm	R538	119-1031-15	1/16W 10k ohm
R107	119-4731-15	1/16W 47k ohm	R507	119-0000-05	1/16W 0 ohm	R539	119-5631-15	1/16W 56k ohm
R108	119-1031-15	1/16W 10k ohm	R509	119-4731-15	1/16W 47k ohm	R541	119-1021-15	1/16W 1k ohm
R109	119-1031-15	1/16W 10k ohm	R510	119-1031-15	1/16W 10k ohm	R542	119-4721-15	1/16W 4.7k ohm
R110	119-4741-15	1/16W 470k ohm	R511	119-1031-15	1/16W 10k ohm	R543	119-1041-15	1/16W 100k ohm
R111	119-4741-15	1/16W 470k ohm	R512	050-0145-54	1/16W 47k ohmx4	R544	119-1041-15	1/16W 100k ohm
R112	119-2731-15	1/16W 27k ohm	R513	119-1041-15	1/16W 100k ohm	R545	119-1041-15	1/16W 100k ohm
R113	119-2731-15	1/16W 27k ohm	R514	119-2241-15	1/16W 220k ohm	X501	060-1505-50	10MHz
R114	119-2731-15	1/16W 27k ohm	R515	119-2241-15	1/16W 220k ohm			
R115	119-2731-15	1/16W 27k ohm	R516	119-2241-15	1/16W 220k ohm			

Sensor PWB section(B5) : CD changer mechanism

REF No.	PART No.	DESCRIPTION	REF No.	PART No.	DESCRIPTION	REF No.	PART No.	DESCRIPTION
PT3	060-0252-01	PT4850F	PT5	060-0252-01	PT4850F	S1	013-7414-50	SPVG22
PT4	060-0252-01	PT4850F	PT6	060-0252-01	PT4850F			

PIM-FPC section(B6) : CD changer mechanism

REF No.	PART No.	DESCRIPTION
IC5	051-5806-02	GPIS95

Driver PWB section(B7) : CD changer mechanism

REF No.	PART No.	DESCRIPTION	REF No.	PART No.	DESCRIPTION	REF No.	PART No.	DESCRIPTION
C1	168-1045-56	0.1uF	J1	074-1239-76	26P	R3	032-0104-59	1/4W 2.2 ohm
C2	163-1073-35	16V100uF	J2	074-1100-59	9P	S1	013-7412-50	SPVG21
D1	001-0529-32	MA8056-M	R1	033-1021-15	1/16W 1k ohm			
IC1	051-6044-18	BA6920FP-Y	R2	032-0104-59	1/4W 2.2 ohm			

PIV-FPC section(B8) : CD changer mechanism

REF No.	PART No.	DESCRIPTION
IC6	051-5806-01	GPIS93

LED-L-PWB section(B9) : CD changer mechanism

REF No.	PART No.	DESCRIPTION	REF No.	PART No.	DESCRIPTION
LED3	001-7042-00	GL4800	LED4	001-7042-00	GL4800

LED-R-PWB section(B10) : CD changer mechanism

REF No.	PART No.	DESCRIPTION	REF No.	PART No.	DESCRIPTION
LED5	001-7042-00	GL4800	LED6	001-7042-00	GL4800

L-Motor-FPC section(B11) : CD changer mechanism

REF No.	PART No.	DESCRIPTION
M1	SMA-186-100	LOADING

M/S-FPC section(B12) : CD changer mechanism

REF No.	PART No.	DESCRIPTION	REF No.	PART No.	DESCRIPTION	REF No.	PART No.	DESCRIPTION
M2	SMA-185-100	SPINDLE	M3	SMA-184-100	SLED	S2	013-7414-50	SPVG22

Side PWB(B13) section:Tape mechanism

REF No.	PART No.	DESCRIPTION	REF No.	PART No.	DESCRIPTION	REF No.	PART No.	DESCRIPTION
C1	168-5612-05	560pF	C16	168-1032-05	0.01uF	R8	119-3341-10	1/16W 330k ohm
C2	168-5612-05	560pF	C17	178-4745-79	0.47uF	R9	119-1131-15	1/16W 11k ohm
C3	168-5612-05	560pF	C18	168-1042-78	0.1uF	R10	119-1131-15	1/16W 11k ohm
C4	168-5612-05	560pF	C19	163-2263-30	16V22uF	R11	119-1531-10	1/16W 15k ohm
C5	178-1055-79	1uF	IC1	051-5204-00	HA12216F	R12	119-1531-10	1/16W 15k ohm
C6	168-1232-05	0.012uF	J1	074-0898-10	10P	R13	032-0140-80	1/16W 18k ohm F
C7	168-1232-05	0.012uF	L1	010-2198-26	0.047uH	R14	119-1531-10	1/16W 15k ohm
C8	168-4732-78	0.047uF	L2	010-2198-26	0.047uH	R15	119-1031-10	1/16W 10k ohm
C9	168-4732-78	0.047uF	R1	119-2731-10	1/16W 27k ohm	R16	119-3921-10	1/16W 3.9k ohm
C10	168-5612-05	560pF	R2	119-2731-10	1/16W 27k ohm	R17	119-1241-10	1/16W 120k ohm
C11	168-5612-05	560pF	R3	119-2731-10	1/16W 27k ohm	R18	119-2231-10	1/16W 22k ohm
C12	168-1042-78	0.1uF	R4	119-2731-10	1/16W 27k ohm	VR1	012-6014-56	10kohm
C13	168-1042-78	0.1uF	R5	119-1811-10	1/16W 180 ohm	VR2	012-6014-56	10kohm
C14	168-1032-05	0.01uF	R6	119-1811-10	1/16W 180 ohm			
C15	163-4753-50	35V4.7uF	R7	119-3341-10	1/16W 330k ohm			

Bottom PWB(B14) section:Tape mechanism

REF No.	PART No.	DESCRIPTION	REF No.	PART No.	DESCRIPTION	REF No.	PART No.	DESCRIPTION
IC2	051-1776-00	NJL5801K	SW1	013-3953-01	SPPB32	SW2	013-3951-32	MODE SWITCH

Rear PWB(B15) section:Tape mechanism

REF No.	PART No.	DESCRIPTION	REF No.	PART No.	DESCRIPTION
P1	076-0368-10	10P	R19	111-5611-91	1/4WS 560 ohm
J2	074-1012-20	20P	S1	013-3906-00	SPPB51

BLOCK DIAGRAM

Main section

