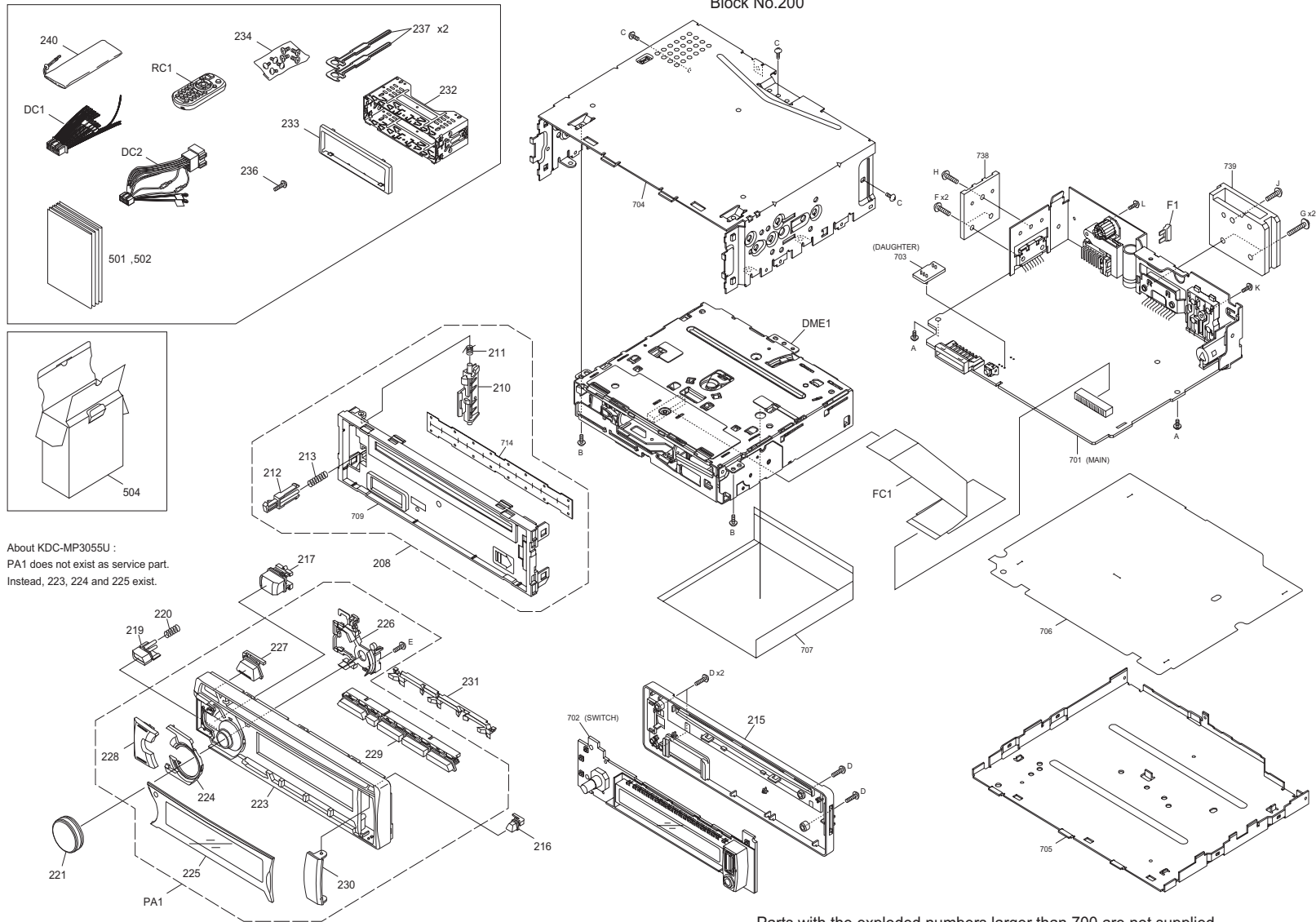


# EXPLODED VIEW (UNIT)



About KDC-MP3055U :  
PA1 does not exist as service part.  
Instead, 223, 224 and 225 exist.

Parts with the exploded numbers larger than 700 are not supplied.

MODEL	MARK	MODEL	MARK	MODEL	MARK	MODEL	MARK
KDC-255U	K1	KDC-4557U	E3	KDC-MP255U	K2	KDC-MP3055U	C1

Safe	Symbol No.	Parts No.	Parts Name	Description	QTY	Local
------	------------	-----------	------------	-------------	-----	-------

EXPLODED VIEW (UNIT) <200>

	DC1	QAM1335-001	DC CORD		1	K1
	DC1	QAM1341-001	DC CORD		1	K2
	DC2	QAM1339-002	DC CORD		1	E3
	DC2	QAM1376-001	DC CORD		1	C1
	DME1	X92-6740-00	MECHANISM ASSY (HC S-1100W)		1	
△	F1	QMFZ064-100-J1	FUSE	10A	1	
	FC1	WJT0277-001A-E	E-CARD WIRE		1	
	PA1	GE20323-001A	F. PANEL ASSY		1	K1
	PA1	GE20323-012A	F. PANEL ASSY		1	E3
	PA1	GE20323-016A	F. PANEL ASSY		1	K2
	RC1	QAL1303-004	REMOTE CONTROL UNIT (RC-406)		1	K1,K2,C1
	A	GE40377-002A	SCREW		2	
	B	QYSDST2604ZA	TAP SCREW	M2.6 x 4mm	2	
	C	QYSDST2606ZA	TAP SCREW	M2.6 x 6mm	3	
	D	QYSPSF2008ZA	TAP SCREW	M2 x 8mm	4	
	E	QYSPSF2006ZA	TAP SCREW	M2 x 6mm	1	
	F	GE40662-001A	SPECIAL SCREW		2	
	G	GE40377-005A	SPECIAL SCREW		2	
	H	QYSDST2608ZA	TAP SCREW	M2.6 x 8mm	1	
	J	QYSDST2610ZA	TAP SCREW	M2.6 x 10mm	1	
	K	QYSDSF2608ZA	TAP SCREW	M2.6 x 8mm	1	
	L	QYSDSG3006ZA	TAP SCREW	M3 x 6mm	1	
	208	GE35081-001A	F.CHASSIS ASSY		1	
	210	GE35078-001A	LOCK LEVER		1	
	211	GE40504-001A	SPRING		1	
	212	GE35079-001A	RELEASE LEVER		1	
	213	GE40505-001A	SPRING		1	
	215	GE10352-001A	REAR COVER		1	
	216	GE35088-001A	EJECT BUTTON		1	
	217	GE40640-001A	KNOB ASSY		1	
	219	GE35102-001A	DETACH BUTTON		1	
	220	GE40505-002A	SPRING		1	
	221	GE40634-001A	VOL KNOB RUBBER		1	K1
	221	GE40635-001A	VOL KNOB RUBBER		1	E3,K2,C1
	223	GE10349-001A-M	FRONT PANEL		1	C1
	224	GE35093-006A	DRESS PANEL		1	C1
	225	GE10351-042A-M	FINDER (USB)		1	C1
	226	GE20322-001A	LIGHT GUIDE (USB)		1	
	227	GE35097-001A	SRC BUTTON		1	
	228	GE35094-001A	SEARCH BTN		1	
	229	GE20321-001A	PRESET BTN		1	
	230	GE35089-001A	USB DOOR COVER		1	
	231	GE35092-001A	LIGHTING LENS		1	
	232	GE34826-002A	M.SLEEVE ASSY		1	
	233	GE20300-001A	TRIM PLATE		1	
	234	GE40536-001A	SCREW SET		1	K1,K2
	236	QYSPSF2008MA	TAP SCREW	M2 x 8mm	1	K1,K2
	237	GE40578-002A	HOOK		2	
	240	GE40521-001A	CARRYING CASE		1	E3,K2,C1
	501	GET0847-001A	INST BOOK	ENG FRE SPA	1	K1,K2
	501	GET0848-001A	INST BOOK	ENG GER RUS UKR	1	E3
	501	GET0901-001A	INST BOOK	PORTUGUESE	1	C1
	502	GET0848-002A	INST BOOK	FRE DUT ITA SPA POR	1	E3
	504	GE35187-001A	INNER CARTON		1	K1
	504	GE35179-001A	INNER CARTON		1	E3
	504	GE35189-001A	INNER CARTON		1	K2
	504	GE35610-001A	INNER CARTON		1	C1

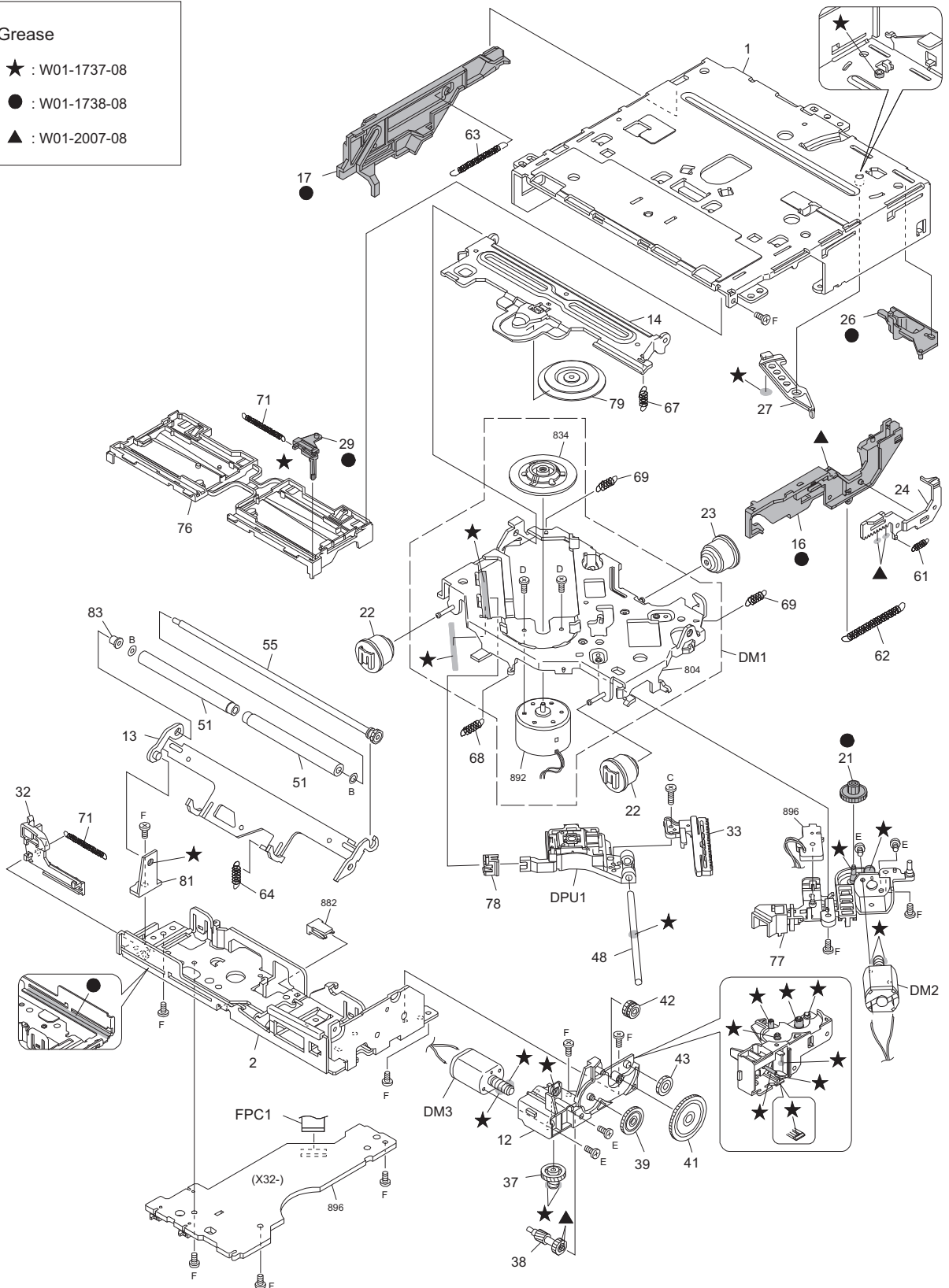
# EXPLODED VIEW (CD MECHANISM)

Block No.130

HCS-1100W

Grease

- ★ : W01-1737-08
- : W01-1738-08
- ▲ : W01-2007-08



Parts with the exploded numbers larger than 800 are not supplied.

MODEL	MARK	MODEL	MARK	MODEL	MARK	MODEL	MARK
KDC-255U	K1	KDC-4557U	E3	KDC-MP255U	K2	KDC-MP3055U	C1

Safe	Symbol No.	Parts No.	Parts Name	Description	QTY	Local
------	------------	-----------	------------	-------------	-----	-------

EXPLODED VIEW (CD MECHANISM) <130>

DM1	X94-2150-00	SPINDLE MOTOR ASSY	1
DM2	X94-2160-00	FEED MOTOR ASSY	1
DM3	X94-2170-00	LOADING MOTOR ASSY	1
DPU1	QAL1226-001	PICK UP	1
FPC1	QAL0817-003	FPC	1
B	LV45449-001A	WASHER	2
C	QYSPSGT1745ZA	TAP SCREW	1
D	LV45568-001A	MINI SCREW	2
E	QYSPSPT2025MA	SCREW	4
F	VKZ4539-054	MINI SCREW	11
1	LV11685-503A	TOP FRAME	1
2	LV11686-501A	BOTTOM FRAME	1
12	LV11688-501A	LOADING BASE	1
13	LV11690-501A	ROLLER ARM	1
14	LV22825-502A	HC CLAMPER BASE	1
16	LV22826-502A	LOAD CAM	1
17	LV22827-501A	FL SLIDER(L)	1
21	LV36815-501A	F WHEEL GEAR	1
22	LV36904-001A	DAMPER	2
23	LV37061-001A	DAMPER	1
24	LV38951-501A	TRIGGER RACK	1
26	LV38952-501A	FL SLIDER(B)	1
27	LV38953-501A	TRIGGER PLATE	1
29	LV38957-501A	SW SLIDER(R)	1
32	LV39496-502A	SW ACTUATOR (2)	1
33	LV38960-501A	FEED RACK	1
37	LV38964-501A	D.WHEEL GEAR	1
38	LV38965-501A	ACT GEAR(1)	1
39	LV38966-501A	ACT GEAR(2)	1
41	LV38967-501A	ACT GEAR(3)	1
42	LV38968-501A	ROLLER ACT GEAR	1
43	LV38969-501A	DRIVE GEAR	1
48	LV44555-001A	MAIN SHAFT	1
51	LV45424-001A	HC ROLLER	2
55	X94-2190-00	ROLLER SHAFT ASSY	1
61	LV45415-501A	TRIGGER SPRING	1
62	LV45416-501A	LOAD CAM SPRING	1
63	LV45417-501A	FL SLIDER SPRING	1
64	LV45418-501A	R.ARM SPRING	1
67	LV45421-501A	HC CL SPRING	1
68	LV45422-501A	SUS SPRING(F)	1
69	LV45423-501A	SUS SPRING(B)	2
71	LV45505-502A	SW ACT SPRING	2
76	LV11689-501A	DISC GUIDE	1
77	LV22828-501A	FEED BRACKET	1
78	LV36813-501A	SUB GUIDE CAP	1
79	LV36819-502A	CLAMPER	1
81	LV38954-501A	R.ARM GUIDE	1
83	LV45648-501A	RA COLLAR (L) 2	1

MODEL	MARK	MODEL	MARK	MODEL	MARK	MODEL	MARK
KDC-255U	K1	KDC-4557U	E3	KDC-MP255U	K2	KDC-MP3055U	C1

Safe	Symbol No.	Parts No.	Parts Name	Description	QTY	Local
<b>ELECTRIC UNIT (X34-739x-xx) &lt;X34&gt;</b>						
△	IC1	TEF6614TV1S4-X	IC		1	K1,K2,C1
△	IC1	TEF6614TV1S3-X	IC		1	E3
	IC161	TDA7718B-X	IC		1	
△	IC301	TB2931HQ	ANALOGUE IC		1	
△	IC501	LV8281VR-X	IC(MOS-IC)		1	
	IC530	BU33TD3WG-W	IC		1	
	IC531	BU15TD3WG-W	IC		1	
	IC532	BU15TD3WG-W	IC		1	
△	IC540	JCV8022	IC		1	
△	IC701	W10-0822-08	IC(MCU)		1	
	IC702	BU4828F-W	IC(MOS-IC)		1	
	IC771	BR24T02FJ-W-X	IC(ROM)		1	
△	IC901	LV5680NPVC	IC		1	
	IC931	XC6213B332NG-X	IC		1	
	IC981	BD9673EFJ-X	IC(MOS-IC)		1	
	Q321	IMX9-W	PAIR TRANSISTOR		1	
	Q341	IMX9-W	PAIR TRANSISTOR		1	K2,C1
	Q540	2SA2188/F-X	TRANSISTOR		1	
	Q701	LTA014YUB-X	DIGI TRANSISTOR		1	
	Q780	LTA024EUB-X	DIGI TRANSISTOR		1	
	Q781	LTC024EUB-X	DIGI TRANSISTOR		1	
	Q782	LTA024EUB-X	DIGI TRANSISTOR		1	
	Q951	2SA812/5-6/-X	TRANSISTOR		1	
	Q952	LTC044EUB-X	DIGI TRANSISTOR		1	
	Q970	LSCR523UB-X	TRANSISTOR		1	
	Q971	LSCR523UB-X	TRANSISTOR		1	
	D9	NAF0029-002X	ESD SUPPRESSOR		1	
	D100	RKZ6.2B2KG-X	ZENER DIODE		1	
	D101	RKZ6.2B2KG-X	ZENER DIODE		1	
	D110	RKZ6.2B2KG-X	ZENER DIODE		1	
	D111	RKZ6.2B2KG-X	ZENER DIODE		1	
	D321	BAW56-TP-X	SILICON DIODE		1	K2,C1
	D341	BAW56-TP-X	SILICON DIODE		1	
	D502	GS1J-LTP-X	SILICON DIODE		1	
	D540	RKS801KF-X	SILICON DIODE		1	
	D704	RKZ6.2B2KG-X	ZENER DIODE		1	
	D780	BAW56-TP-X	SILICON DIODE		1	
	D781	BAW56-TP-X	SILICON DIODE		1	
	D782	RKS801KF-X	SILICON DIODE		1	
	D783	BAW56-TP-X	SILICON DIODE		1	
	D851	MBRX130-TP-X	SB DIODE		1	E3
	D852	MBRX130-TP-X	SB DIODE		1	E3
△	D891	BAW56-TP-X	SILICON DIODE		1	
	D901	1N5401-BPC04	SILICON DIODE		1	
	D902	MBRX130-TP-X	SB DIODE		1	
	D941	MBRX130-TP-X	SB DIODE		1	
	D942	MBRX130-TP-X	SB DIODE		1	
	D970	RKZ6.8B2KG-X	ZENER DIODE		1	
	D971	RKZ6.8B2KG-X	ZENER DIODE		1	
	D981	DB22306-X	SB DIODE		1	
	C1	NCB31HK-102X	C CAPACITOR	1000pF 50V K	1	
	C2	NDC31HJ-7R0X	C CAPACITOR	7pF 50V J	1	
	C3	NCB31HK-102X	C CAPACITOR	1000pF 50V K	1	
	C4	NCB31CK-224X	C CAPACITOR	0.22uF 16V K	1	
	C5	NDC31HJ-150X	C CAPACITOR	15pF 50V J	1	
	C6	NDC31HJ-6R0X	C CAPACITOR	6pF 50V J	1	
	C7	NDC31HJ-270X	C CAPACITOR	27pF 50V J	1	
	C10	NCB21CK-105X	C CAPACITOR	1uF 16V K	1	
	C11	NCB31HK-103X	C CAPACITOR	0.01uF 50V K	1	
	C12	NCB31HK-103X	C CAPACITOR	0.01uF 50V K	1	
	C13	NCB21CK-105X	C CAPACITOR	1uF 16V K	1	
	C14	NCB31CK-224X	C CAPACITOR	0.22uF 16V K	1	
	C15	NCB31HK-104X	C CAPACITOR	0.1uF 50V K	1	
	C16	NCB31HK-103X	C CAPACITOR	0.01uF 50V K	1	
	C17	NCB31HK-104X	C CAPACITOR	0.1uF 50V K	1	
	C18	NCB31HK-103X	C CAPACITOR	0.01uF 50V K	1	
	C19	NCB31HK-104X	C CAPACITOR	0.1uF 50V K	1	
	C20	NDC31HJ-120X	C CAPACITOR	12pF 50V J	1	
	C21	NCB31HK-104X	C CAPACITOR	0.1uF 50V K	1	
	C22	NCB31HK-104X	C CAPACITOR	0.1uF 50V K	1	
	C23	NCB31HK-104X	C CAPACITOR	0.1uF 50V K	1	
	C24	QEKJ1CM-107Z	E CAPACITOR	100uF 16V M	1	
	C26	NDC31HJ-471X	C CAPACITOR	470pF 50V J	1	
	C27	NDC31HJ-2R0X	C CAPACITOR	2pF 50V J	1	
	C28	NDC31HJ-100X	C CAPACITOR	10pF 50V J	1	K1,K2,C1
	C101	NCB31CK-105X	C CAPACITOR	1uF 16V K	1	
	C102	NCB31CK-105X	C CAPACITOR	1uF 16V K	1	
	C111	NCB31CK-105X	C CAPACITOR	1uF 16V K	1	
	C112	NCB31HK-104X	C CAPACITOR	0.1uF 50V K	1	
	C160	QEKJ1EM-106Z	E CAPACITOR	10uF 25V M	1	
	C161	NCB31AK-105X	C CAPACITOR	1uF 10V K	1	
	C162	QERF1HM-475Z	E CAPACITOR	4.7uF 50V M	1	
	C166	NCB31HK-104X	C CAPACITOR	0.1uF 50V K	1	
	C168	NCB31HK-104X	C CAPACITOR	0.1uF 50V K	1	
	C169	NCB31AK-105X	C CAPACITOR	1uF 10V K	1	
	C170	NCB31AK-105X	C CAPACITOR	1uF 10V K	1	
	C171	NCB31AK-105X	C CAPACITOR	1uF 10V K	1	
	C172	QEKJ1CM-107Z	E CAPACITOR	100uF 16V M	1	
	C173	NCB31AK-105X	C CAPACITOR	1uF 10V K	1	
	C174	QERF1HM-475Z	E CAPACITOR	4.7uF 50V M	1	
	C177	NCB31AK-105X	C CAPACITOR	1uF 10V K	1	

MODEL	MARK	MODEL	MARK	MODEL	MARK	MODEL	MARK
KDC-255U	K1	KDC-4557U	E3	KDC-MP255U	K2	KDC-MP3055U	C1

Safe	Symbol No.	Parts No.	Parts Name	Description	QTY	Local
	C305	NCB21CK-224X-A	C CAPACITOR	0.22uF 16V K	1	
	C306	NCB21CK-224X-A	C CAPACITOR	0.22uF 16V K	1	
	C307	NCB21CK-224X-A	C CAPACITOR	0.22uF 16V K	1	
	C308	NCB21CK-224X-A	C CAPACITOR	0.22uF 16V K	1	
	C309	QEKJ1EM-106Z	E CAPACITOR	10uF 25V M	1	
	C311	NCB31HK-223X	C CAPACITOR	0.022uF 50V K	1	
	C312	NCB31HK-223X	C CAPACITOR	0.022uF 50V K	1	
	C313	NCB21AK-105X-A	C CAPACITOR	1uF 10V K	1	
	C314	NCB31AK-105X	C CAPACITOR	1uF 10V K	1	
	C315	NCB31AK-105X	C CAPACITOR	1uF 10V K	1	
	C320	QEKJ1HM-106Z	E CAPACITOR	10uF 50V M	1	
	C321	NDC31HJ-101X	C CAPACITOR	100pF 50V J	1	
	C330	QEKJ1HM-106Z	E CAPACITOR	10uF 50V M	1	
	C331	NDC31HJ-101X	C CAPACITOR	100pF 50V J	1	
	C340	QEKJ1HM-106Z	E CAPACITOR	10uF 50V M	1	K2,C1
	C341	NDC31HJ-101X	C CAPACITOR	100pF 50V J	1	K2,C1
	C350	QEKJ1HM-106Z	E CAPACITOR	10uF 50V M	1	K2,C1
	C351	NDC31HJ-101X	C CAPACITOR	100pF 50V J	1	K2,C1
	C368	NCB31HK-103X	C CAPACITOR	0.01uF 50V K	1	
	C501	NCB31HK-104X	C CAPACITOR	0.1uF 50V K	1	
	C504	NCB31HK-104X	C CAPACITOR	0.1uF 50V K	1	
	C505	NCB31HK-473X	C CAPACITOR	0.047uF 50V K	1	
	C506	NCB31CK-224X	C CAPACITOR	0.22uF 16V K	1	
	C507	NCB31HK-104X	C CAPACITOR	0.1uF 50V K	1	
	C513	NCB31HK-104X	C CAPACITOR	0.1uF 50V K	1	
	C514	QERF1AM-107Z	E CAPACITOR	100uF 10V M	1	
	C530	NCB31AK-105X	C CAPACITOR	1uF 10V K	1	
	C531	NCB31HK-104X	C CAPACITOR	0.1uF 50V K	1	
	C532	NCB31AK-105X	C CAPACITOR	1uF 10V K	1	
	C533	NCB31HK-104X	C CAPACITOR	0.1uF 50V K	1	
	C534	NCB31HK-104X	C CAPACITOR	0.1uF 50V K	1	
	C535	NCB31HK-104X	C CAPACITOR	0.1uF 50V K	1	
	C540	NCB31HK-104X	C CAPACITOR	0.1uF 50V K	1	
	C541	NCB31HK-222X	C CAPACITOR	2200pF 50V K	1	
	C542	NCB31HK-104X	C CAPACITOR	0.1uF 50V K	1	
	C543	NCB31HK-103X	C CAPACITOR	0.01uF 50V K	1	
	C544	NCB31HK-332X	C CAPACITOR	3300pF 50V K	1	
	C545	NCB31HK-104X	C CAPACITOR	0.1uF 50V K	1	
	C546	NCB31AK-105X	C CAPACITOR	1uF 10V K	1	
	C547	NCB31HK-153X	C CAPACITOR	0.015uF 50V K	1	
	C548	NDC31HJ-680X	C CAPACITOR	68pF 50V J	1	
	C549	NCB31HK-104X	C CAPACITOR	0.1uF 50V K	1	
	C550	NCB20JK-106X-R	C CAPACITOR	10uF 6.3V K	1	
	C551	NCB31HK-104X	C CAPACITOR	0.1uF 50V K	1	
	C552	NCB31HK-333X	C CAPACITOR	0.033uF 50V K	1	
	C553	NCB31HK-472X	C CAPACITOR	4700pF 50V K	1	
	C554	NDC31HJ-331X	C CAPACITOR	330pF 50V J	1	
	C555	NDC31HJ-681X	C CAPACITOR	680pF 50V J	1	
	C556	NCB31CK-683X	C CAPACITOR	0.068uF 16V K	1	
	C557	NCB31HK-333X	C CAPACITOR	0.033uF 50V K	1	
	C558	NCB31HK-104X	C CAPACITOR	0.1uF 50V K	1	
	C559	NCB31HK-104X	C CAPACITOR	0.1uF 50V K	1	
	C561	NCB20JK-106X	C CAPACITOR	10uF 6.3V K	1	
	C562	NCB20JK-106X	C CAPACITOR	10uF 6.3V K	1	
	C564	NCB31HK-104X	C CAPACITOR	0.1uF 50V K	1	
	C565	NCB31HK-104X	C CAPACITOR	0.1uF 50V K	1	
	C566	NCB31HK-104X	C CAPACITOR	0.1uF 50V K	1	
	C567	NCB31AK-105X	C CAPACITOR	1uF 10V K	1	
	C568	NCB31HK-104X	C CAPACITOR	0.1uF 50V K	1	
	C569	NCB31HK-104X	C CAPACITOR	0.1uF 50V K	1	
	C570	NCB31HK-104X	C CAPACITOR	0.1uF 50V K	1	
	C571	NDC31HJ-470X	C CAPACITOR	47pF 50V J	1	
	C572	NCB31HK-153X	C CAPACITOR	0.015uF 50V K	1	
	C573	NCB31HK-104X	C CAPACITOR	0.1uF 50V K	1	
	C574	NCB31HK-103X	C CAPACITOR	0.01uF 50V K	1	
	C576	NCB31HK-152X	C CAPACITOR	1500pF 50V K	1	
	C582	NCB31HK-102X	C CAPACITOR	1000pF 50V K	1	
	C583	NCB31HK-102X	C CAPACITOR	1000pF 50V K	1	
	C592	NDC31HJ-101X	C CAPACITOR	100pF 50V J	1	
	C593	NDC31HJ-101X	C CAPACITOR	100pF 50V J	1	
	C701	NDC31HJ-180X	C CAPACITOR	18pF 50V J	1	
	C702	NDC31HJ-180X	C CAPACITOR	18pF 50V J	1	
	C704	QEKJ1CM-107Z	E CAPACITOR	100uF 16V M	1	
	C705	NCB31HK-104X	C CAPACITOR	0.1uF 50V K	1	
	C706	NCB31HK-104X	C CAPACITOR	0.1uF 50V K	1	
	C707	NCB31CK-474X	C CAPACITOR	0.47uF 16V K	1	
	C708	NCB31HK-104X	C CAPACITOR	0.1uF 50V K	1	
	C711	NCB31HK-104X	C CAPACITOR	0.1uF 50V K	1	
	C712	NCB31HK-104X	C CAPACITOR	0.1uF 50V K	1	
	C713	NCB31HK-104X	C CAPACITOR	0.1uF 50V K	1	
	C714	NCB31HK-104X	C CAPACITOR	0.1uF 50V K	1	
	C715	NCB31HK-104X	C CAPACITOR	0.1uF 50V K	1	
	C716	NCB31HK-104X	C CAPACITOR	0.1uF 50V K	1	
	C717	NCB31HK-104X	C CAPACITOR	0.1uF 50V K	1	
	C718	NCB31CK-474X	C CAPACITOR	0.47uF 16V K	1	
	C722	NCB10JK-106X-A	C CAPACITOR	10uF 6.3V K	1	
	C723	NCB31CK-473X	C CAPACITOR	0.047uF 16V K	1	
	C724	NDC31HJ-150X	C CAPACITOR	15pF 50V J	1	
	C725	NDC31HJ-120X	C CAPACITOR	12pF 50V J	1	
	C728	NCB31HK-103X	C CAPACITOR	0.01uF 50V K	1	
	C729	NCJ11EK-106X-R	C CAPACITOR	10uF 25V	1	
	C731	NCB21HK-104X	C CAPACITOR	0.1uF 50V K	1	

MODEL	MARK	MODEL	MARK	MODEL	MARK	MODEL	MARK
KDC-255U	K1	KDC-4557U	E3	KDC-MP255U	K2	KDC-MP3055U	C1

Safe	Symbol No.	Parts No.	Parts Name	Description	QTY	Local
	C733	NCB10JK-106X-A	C CAPACITOR	10uF 6.3V K	1	
	C751	NCB31HK-104X	C CAPACITOR	0.1uF 50V K	1	
	C788	NCB31HK-103X	C CAPACITOR	0.01uF 50V K	1	
	C794	NDC31HJ-3R0X	C CAPACITOR	3pF 50V J	1	
	C891	NCB31HK-104X	C CAPACITOR	0.1uF 50V K	1	
	C901	QEZ0934-338	E CAPACITOR	3300uF	1	
	C903	QEKJ1CM-476Z	E CAPACITOR	47uF 16V M	1	
	C904	QEKJ1CM-476Z	E CAPACITOR	47uF 16V M	1	
	C905	NCB31HK-104X	C CAPACITOR	0.1uF 50V K	1	
	C906	QEKJ1CM-107Z	E CAPACITOR	100uF 16V M	1	
	C907	QERF0JM-337Z	E CAPACITOR	330uF 6.3V M	1	
	C908	QEKJ1EM-106Z	E CAPACITOR	10uF 25V M	1	E3
	C910	QEKJ1EM-106Z	E CAPACITOR	10uF 25V M	1	
	C912	NCB31HK-104X	C CAPACITOR	0.1uF 50V K	1	
	C913	QERF0JM-337Z	E CAPACITOR	330uF 6.3V M	1	
	C916	NDC31HJ-101X	C CAPACITOR	100pF 50V J	1	
	C917	NDC31HJ-101X	C CAPACITOR	100pF 50V J	1	
	C931	NCB31HK-104X	C CAPACITOR	0.1uF 50V K	1	
	C932	QERF0JM-337Z	E CAPACITOR	330uF 6.3V M	1	
	C933	NCB31HK-104X	C CAPACITOR	0.1uF 50V K	1	
	C941	NCB31HK-104X	C CAPACITOR	0.1uF 50V K	1	
	C954	NCB31HK-104X	C CAPACITOR	0.1uF 50V K	1	
	C963	QERF1AM-107Z	E CAPACITOR	100uF 10V M	1	
	C975	NCB31EK-473X	C CAPACITOR	0.047uF 25V K	1	
	C976	NCB31HK-104X	C CAPACITOR	0.1uF 50V K	1	
	C977	NCB31HK-104X	C CAPACITOR	0.1uF 50V K	1	
	C978	NCB31HK-104X	C CAPACITOR	0.1uF 50V K	1	K1,K2,C1
	C980	NCJ11EK-106X-R	C CAPACITOR	10uF 25V	1	
	C981	NCB10JK-106X-A	C CAPACITOR	10uF 6.3V K	1	
	C982	NCB31HK-103X	C CAPACITOR	0.01uF 50V K	1	
	C983	NCB31HK-682X	C CAPACITOR	6800pF 50V K	1	
	C984	NCB31HK-104X	C CAPACITOR	0.1uF 50V K	1	
	C985	NCJ11EK-106X-R	C CAPACITOR	10uF 25V	1	
	C987	NCB10JK-106X-A	C CAPACITOR	10uF 6.3V K	1	
	C988	NCB31HK-103X	C CAPACITOR	0.01uF 50V K	1	
	C989	NCJ11EK-106X-R	C CAPACITOR	10uF 25V	1	
	C990	NCB31HK-104X	C CAPACITOR	0.1uF 50V K	1	
	C993	NCJ11EK-106X-R	C CAPACITOR	10uF 25V	1	
	C994	NCB31HK-103X	C CAPACITOR	0.01uF 50V K	1	
	C995	NCJ11EK-106X-R	C CAPACITOR	10uF 25V	1	
	C996	NCJ11EK-106X-R	C CAPACITOR	10uF 25V	1	
	C997	NCB31HK-103X	C CAPACITOR	0.01uF 50V K	1	
	C998	NCB31HK-103X	C CAPACITOR	0.01uF 50V K	1	
	R1	NRSA63J-684X	MG RESISTOR	680kΩ 1/16W J	1	
	R2	NRSA63J-684X	MG RESISTOR	680kΩ 1/16W J	1	
	R4	NRSA63J-472X	MG RESISTOR	4.7kΩ 1/16W J	1	
	R6	NRSA63J-221X	MG RESISTOR	220Ω 1/16W J	1	
	R7	NRSA63J-221X	MG RESISTOR	220Ω 1/16W J	1	
	R8	NRS181J-220X	MG RESISTOR	22Ω 1/8W J	1	
	R9	NRSA63J-0R0X	MG RESISTOR	0Ω 1/10W J	1	E3
	R12	NRS181J-0R0X	MG RESISTOR	0Ω 1/8W J	1	
	R101	NRSA63J-473X	MG RESISTOR	47kΩ 1/16W J	1	
	R111	NRSA63J-473X	MG RESISTOR	47kΩ 1/16W J	1	
	R112	NRSA63J-471X	MG RESISTOR	470Ω 1/16W J	1	
	R160	NRSA63J-0R0X	MG RESISTOR	0Ω 1/10W J	1	
△	R161	NRSA63J-103X	MG RESISTOR	10kΩ 1/16W J	1	
	R162	NRS181J-0R0X	MG RESISTOR	0Ω 1/8W J	1	
	R163	NRSA63J-101X	MG RESISTOR	100Ω 1/16W J	1	
	R165	NRSA63J-101X	MG RESISTOR	100Ω 1/16W J	1	
	R167	NRS181J-222X	MG RESISTOR	2.2kΩ 1/8W J	1	
	R168	NRS181J-0R0X	MG RESISTOR	0Ω 1/8W J	1	
	R302	NRSA63J-473X	MG RESISTOR	47kΩ 1/16W J	1	
	R304	NRSA63J-0R0X	MG RESISTOR	0Ω 1/10W J	1	
	R307	NRSA63J-0R0X	MG RESISTOR	0Ω 1/10W J	1	
	R308	NRSA63J-222X	MG RESISTOR	2.2kΩ 1/16W J	1	
	R310	NRS181J-5R1X	MG RESISTOR	5.1Ω 1/8W J	1	
	R320	NRSA63J-331X	MG RESISTOR	330Ω 1/16W J	1	
	R321	NRSA63J-223X	MG RESISTOR	22kΩ 1/16W J	1	
	R322	NRSA63J-181X	MG RESISTOR	180Ω 1/16W J	1	
	R323	NRSA63J-0R0X	MG RESISTOR	0Ω 1/10W J	1	
	R330	NRSA63J-331X	MG RESISTOR	330Ω 1/16W J	1	
	R331	NRSA63J-223X	MG RESISTOR	22kΩ 1/16W J	1	
	R332	NRSA63J-181X	MG RESISTOR	180Ω 1/16W J	1	
	R333	NRSA63J-0R0X	MG RESISTOR	0Ω 1/10W J	1	
	R335	NRSA63J-0R0X	MG RESISTOR	0Ω 1/10W J	1	K1,E3
	R340	NRSA63J-331X	MG RESISTOR	330Ω 1/16W J	1	K2,C1
	R341	NRSA63J-223X	MG RESISTOR	22kΩ 1/16W J	1	K2,C1
	R342	NRSA63J-181X	MG RESISTOR	180Ω 1/16W J	1	K2,C1
	R347	NRSA63J-472X	MG RESISTOR	4.7kΩ 1/16W J	1	K2,C1
	R349	NRSA63J-472X	MG RESISTOR	4.7kΩ 1/16W J	1	K2,C1
	R350	NRSA63J-331X	MG RESISTOR	330Ω 1/16W J	1	K2,C1
	R351	NRSA63J-223X	MG RESISTOR	22kΩ 1/16W J	1	K2,C1
	R352	NRSA63J-181X	MG RESISTOR	180Ω 1/16W J	1	K2,C1
	R357	NRSA63J-472X	MG RESISTOR	4.7kΩ 1/16W J	1	
	R358	NRSA63J-472X	MG RESISTOR	4.7kΩ 1/16W J	1	
	R361	NRSA63J-0R0X	MG RESISTOR	0Ω 1/10W J	1	
	R362	NRSA63J-0R0X	MG RESISTOR	0Ω 1/10W J	1	
	R363	NRSA63J-0R0X	MG RESISTOR	0Ω 1/10W J	1	
	R364	NRSA63J-0R0X	MG RESISTOR	0Ω 1/10W J	1	
	R400	NRS181J-0R0X	MG RESISTOR	0Ω 1/8W J	1	
	R401	NRS181J-0R0X	MG RESISTOR	0Ω 1/8W J	1	
	R402	NRSA63J-0R0X	MG RESISTOR	0Ω 1/10W J	1	
	R403	NRS181J-0R0X	MG RESISTOR	0Ω 1/8W J	1	

MODEL	MARK	MODEL	MARK	MODEL	MARK	MODEL	MARK
KDC-255U	K1	KDC-4557U	E3	KDC-MP255U	K2	KDC-MP3055U	C1

Safe	Symbol No.	Parts No.	Parts Name	Description	QTY	Local
	R405	NRSA63J-100X	MG RESISTOR	10Ω 1/16W J	1	
	R408	NRS181J-0R0X	MG RESISTOR	0Ω 1/8W J	1	
	R410	NRS181J-0R0X	MG RESISTOR	0Ω 1/8W J	1	
	R411	NRS181J-0R0X	MG RESISTOR	0Ω 1/8W J	1	
	R414	NRS181J-0R0X	MG RESISTOR	0Ω 1/8W J	1	
	R417	NRS181J-0R0X	MG RESISTOR	0Ω 1/8W J	1	
	R419	NRS181J-0R0X	MG RESISTOR	0Ω 1/8W J	1	
	R420	NRSA63J-0R0X	MG RESISTOR	0Ω 1/10W J	1	
	R423	NRS181J-0R0X	MG RESISTOR	0Ω 1/8W J	1	
	R427	NRS181J-0R0X	MG RESISTOR	0Ω 1/8W J	1	
	R428	NRS181J-0R0X	MG RESISTOR	0Ω 1/8W J	1	
	R430	NRS181J-0R0X	MG RESISTOR	0Ω 1/8W J	1	
	R431	NRSA63J-0R0X	MG RESISTOR	0Ω 1/10W J	1	
	R432	NRS181J-0R0X	MG RESISTOR	0Ω 1/8W J	1	
	R433	NRS181J-0R0X	MG RESISTOR	0Ω 1/8W J	1	
	R438	NRS181J-0R0X	MG RESISTOR	0Ω 1/8W J	1	
	R439	NRS181J-0R0X	MG RESISTOR	0Ω 1/8W J	1	
	R440	NRS181J-0R0X	MG RESISTOR	0Ω 1/8W J	1	
	R441	NRS181J-0R0X	MG RESISTOR	0Ω 1/8W J	1	
	R442	NRSA63J-0R0X	MG RESISTOR	0Ω 1/10W J	1	
	R444	NRS181J-0R0X	MG RESISTOR	0Ω 1/8W J	1	
	R445	NRSA63J-0R0X	MG RESISTOR	0Ω 1/10W J	1	
	R447	NRS181J-0R0X	MG RESISTOR	0Ω 1/8W J	1	
	R448	NRS181J-0R0X	MG RESISTOR	0Ω 1/8W J	1	
	R449	NRSA63J-0R0X	MG RESISTOR	0Ω 1/10W J	1	
	R450	NRS181J-0R0X	MG RESISTOR	0Ω 1/8W J	1	
	R451	NRS181J-0R0X	MG RESISTOR	0Ω 1/8W J	1	
	R452	NRSA63J-0R0X	MG RESISTOR	0Ω 1/10W J	1	
	R453	NRS181J-0R0X	MG RESISTOR	0Ω 1/8W J	1	
	R455	NRS181J-0R0X	MG RESISTOR	0Ω 1/8W J	1	
	R456	NRSA63J-0R0X	MG RESISTOR	0Ω 1/10W J	1	
	R457	NRS181J-0R0X	MG RESISTOR	0Ω 1/8W J	1	
	R458	NRS181J-0R0X	MG RESISTOR	0Ω 1/8W J	1	
	R460	NRS181J-0R0X	MG RESISTOR	0Ω 1/8W J	1	
	R461	NRSA63J-0R0X	MG RESISTOR	0Ω 1/10W J	1	
	R462	NRSA02J-0R0X	MG RESISTOR	0Ω 1/10W J	1	
	R465	NRSA63J-0R0X	MG RESISTOR	0Ω 1/10W J	1	
	R467	NRSA63J-0R0X	MG RESISTOR	0Ω 1/10W J	1	
	R468	NRS181J-0R0X	MG RESISTOR	0Ω 1/8W J	1	
	R470	NRS181J-0R0X	MG RESISTOR	0Ω 1/8W J	1	
	R471	NRSA63J-0R0X	MG RESISTOR	0Ω 1/10W J	1	
	R472	NRS181J-0R0X	MG RESISTOR	0Ω 1/8W J	1	
	R475	NRS181J-0R0X	MG RESISTOR	0Ω 1/8W J	1	
	R477	NRSA63J-0R0X	MG RESISTOR	0Ω 1/10W J	1	
	R478	NRS181J-0R0X	MG RESISTOR	0Ω 1/8W J	1	
	R479	NRSA63J-0R0X	MG RESISTOR	0Ω 1/10W J	1	
	R483	NRSA63J-0R0X	MG RESISTOR	0Ω 1/10W J	1	
	R488	NRS181J-0R0X	MG RESISTOR	0Ω 1/8W J	1	
	R489	NRS181J-0R0X	MG RESISTOR	0Ω 1/8W J	1	
	R490	NRS181J-0R0X	MG RESISTOR	0Ω 1/8W J	1	
	R498	NRSA63J-0R0X	MG RESISTOR	0Ω 1/10W J	1	
	R501	NRSA63J-114X	MG RESISTOR	110kΩ 1/16W J	1	
	R502	NRS181J-101X	MG RESISTOR	100Ω 1/8W J	1	
	R503	NRS181J-101X	MG RESISTOR	100Ω 1/8W J	1	
	R504	NRSA63J-274X	MG RESISTOR	270kΩ 1/16W J	1	
	R505	NRSA63J-104X	MG RESISTOR	100kΩ 1/16W J	1	
	R506	NRSA63J-303X	MG RESISTOR	30kΩ 1/16W J	1	
	R507	NRSA63J-563X	MG RESISTOR	56kΩ 1/16W J	1	
	R508	NRSA63J-0R0X	MG RESISTOR	0Ω 1/10W J	1	
	R509	NRSA63J-0R0X	MG RESISTOR	0Ω 1/10W J	1	
	R510	NRSA63J-473X	MG RESISTOR	47kΩ 1/16W J	1	
	R511	NRSA63J-133X	MG RESISTOR	13kΩ 1/16W J	1	
	R512	NRSA63J-0R0X	MG RESISTOR	0Ω 1/10W J	1	
	R513	NRSA63J-0R0X	MG RESISTOR	0Ω 1/10W J	1	
	R516	NRSA63J-333X	MG RESISTOR	33kΩ 1/16W J	1	
	R518	NRS181J-101X	MG RESISTOR	100Ω 1/8W J	1	
	R519	NRSA63J-333X	MG RESISTOR	33kΩ 1/16W J	1	
	R520	NRSA63J-332X	MG RESISTOR	3.3kΩ 1/16W J	1	
	R521	NRSA63J-681X	MG RESISTOR	680Ω 1/16W J	1	
	R522	NRSA63J-681X	MG RESISTOR	680Ω 1/16W J	1	
	R530	NRS181J-0R0X	MG RESISTOR	0Ω 1/8W J	1	
	R534	NRS181J-473X	MG RESISTOR	47kΩ 1/8W J	1	
	R539	NRSA63J-0R0X	MG RESISTOR	0Ω 1/10W J	1	
	R540	NRSA63J-221X	MG RESISTOR	220Ω 1/16W J	1	
	R545	NRSA63J-225X	MG RESISTOR	2.2MΩ 1/16W J	1	
	R547	NRSA63J-4R7X	MG RESISTOR	4.7Ω 1/16W J	1	
	R548	NRSA63J-104X	MG RESISTOR	100kΩ 1/16W J	1	
	R549	NRSA63J-102X	MG RESISTOR	1kΩ 1/16W J	1	
	R550	NRSA63J-472X	MG RESISTOR	4.7kΩ 1/16W J	1	
	R553	NRSA63J-473X	MG RESISTOR	47kΩ 1/16W J	1	
	R554	NRSA02J-4R7X	MG RESISTOR	4.7Ω 1/10W J	1	
	R555	NRSA02J-4R7X	MG RESISTOR	4.7Ω 1/10W J	1	
	R556	NRSA63J-0R0X	MG RESISTOR	0Ω 1/10W J	1	
	R557	NRSA63J-471X	MG RESISTOR	470Ω 1/16W J	1	
	R558	NRSA63J-105X	MG RESISTOR	1MΩ 1/16W J	1	
	R559	NRSA63J-101X	MG RESISTOR	100Ω 1/16W J	1	
	R560	NRSA63J-101X	MG RESISTOR	100Ω 1/16W J	1	
	R561	NRSA63J-101X	MG RESISTOR	100Ω 1/16W J	1	
	R565	NRSA63J-103X	MG RESISTOR	10kΩ 1/16W J	1	
	R566	NRSA63J-103X	MG RESISTOR	10kΩ 1/16W J	1	
	R567	NRS181J-101X	MG RESISTOR	100Ω 1/8W J	1	
	R568	NRS181J-101X	MG RESISTOR	100Ω 1/8W J	1	



MODEL	MARK	MODEL	MARK	MODEL	MARK	MODEL	MARK
KDC-255U	K1	KDC-4557U	E3	KDC-MP255U	K2	KDC-MP3055U	C1

Safe	Symbol No.	Parts No.	Parts Name	Description	QTY	Local
	R569	NRS181J-101X	MG RESISTOR	100Ω 1/8W J	1	
	R570	NRSA63J-101X	MG RESISTOR	100Ω 1/16W J	1	
	R571	NRSA63J-103X	MG RESISTOR	10kΩ 1/16W J	1	
	R572	NRSA63J-104X	MG RESISTOR	100kΩ 1/16W J	1	
	R573	NRSA63J-334X	MG RESISTOR	330kΩ 1/16W J	1	
	R574	NRSA63J-153X	MG RESISTOR	15kΩ 1/16W J	1	
	R575	NRS181J-332X	MG RESISTOR	3.3kΩ 1/8W J	1	
	R576	NRSA63J-103X	MG RESISTOR	10kΩ 1/16W J	1	
	R577	NRSA63J-103X	MG RESISTOR	10kΩ 1/16W J	1	
	R585	NRSA63J-1R0X	MG RESISTOR	1Ω 1/16W J	1	
	R586	NRS181J-1R0X	MG RESISTOR	1Ω 1/8W J	1	
	R595	NRSA63J-202X	MG RESISTOR	2kΩ 1/16W J	1	
	R596	NRSA63J-202X	MG RESISTOR	2kΩ 1/16W J	1	
	R701	NRS181J-0R0X	MG RESISTOR	0Ω 1/8W J	1	
	R702	NRSA63J-222X	MG RESISTOR	2.2kΩ 1/16W J	1	
	R703	NRSA63J-911X	MG RESISTOR	910Ω 1/16W J	1	
	R704	NRSA63J-911X	MG RESISTOR	910Ω 1/16W J	1	
	R705	NRSA63J-222X	MG RESISTOR	2.2kΩ 1/16W J	1	
	R706	NRSA63J-911X	MG RESISTOR	910Ω 1/16W J	1	
	R712	NRSA63J-911X	MG RESISTOR	910Ω 1/16W J	1	
	R718	NRS181J-473X	MG RESISTOR	47kΩ 1/8W J	1	
	R720	NRSA63J-473X	MG RESISTOR	47kΩ 1/16W J	1	
	R721	NRSA63J-105X	MG RESISTOR	1MΩ 1/16W J	1	
	R722	NRSA63J-473X	MG RESISTOR	47kΩ 1/16W J	1	
	R723	NRSA63J-473X	MG RESISTOR	47kΩ 1/16W J	1	
	R725	NRSA63J-473X	MG RESISTOR	47kΩ 1/16W J	1	
	R726	NRSA63J-473X	MG RESISTOR	47kΩ 1/16W J	1	
	R727	NRSA63J-473X	MG RESISTOR	47kΩ 1/16W J	1	
	R728	NRSA63J-473X	MG RESISTOR	47kΩ 1/16W J	1	
	R730	NRSA63J-473X	MG RESISTOR	47kΩ 1/16W J	1	
	R731	NRSA63J-473X	MG RESISTOR	47kΩ 1/16W J	1	
	R732	NRSA63J-101X	MG RESISTOR	100Ω 1/16W J	1	
	R733	NRSA63J-0R0X	MG RESISTOR	0Ω 1/10W J	1	
	R735	NRSA63J-473X	MG RESISTOR	47kΩ 1/16W J	1	
	R736	NRS181J-473X	MG RESISTOR	47kΩ 1/8W J	1	
	R737	NRSA63J-911X	MG RESISTOR	910Ω 1/16W J	1	
	R738	NRSA63J-222X	MG RESISTOR	2.2kΩ 1/16W J	1	
	R739	NRSA63J-103X	MG RESISTOR	10kΩ 1/16W J	1	
	R740	NRSA63J-103X	MG RESISTOR	10kΩ 1/16W J	1	
	R741	NRSA63J-103X	MG RESISTOR	10kΩ 1/16W J	1	
	R742	NRSA63J-473X	MG RESISTOR	47kΩ 1/16W J	1	
	R743	NRSA63J-473X	MG RESISTOR	47kΩ 1/16W J	1	
	R745	NRSA63J-101X	MG RESISTOR	100Ω 1/16W J	1	
	R746	NRSA63J-473X	MG RESISTOR	47kΩ 1/16W J	1	
	R747	NRS181J-243X	MG RESISTOR	24kΩ 1/8W J	1	
	R749	NRSA63J-222X	MG RESISTOR	2.2kΩ 1/16W J	1	
	R750	NRSA63J-222X	MG RESISTOR	2.2kΩ 1/16W J	1	
	R751	NRSA63J-223X	MG RESISTOR	22kΩ 1/16W J	1	
	R753	NRSA63J-332X	MG RESISTOR	3.3kΩ 1/16W J	1	
	R754	NRSA63J-332X	MG RESISTOR	3.3kΩ 1/16W J	1	
	R757	NRSA63J-104X	MG RESISTOR	100kΩ 1/16W J	1	
	R758	NRSA63J-104X	MG RESISTOR	100kΩ 1/16W J	1	
	R759	NRSA63J-473X	MG RESISTOR	47kΩ 1/16W J	1	
	R763	NRSA63J-473X	MG RESISTOR	47kΩ 1/16W J	1	
	R764	NRSA63J-393X	MG RESISTOR	39kΩ 1/16W J	1	E3
	R765	NRSA63J-153X	MG RESISTOR	15kΩ 1/16W J	1	K1,E3
	R765	NRSA63J-822X	MG RESISTOR	8.2kΩ 1/16W J	1	K2
	R765	NRSA63J-473X	MG RESISTOR	47kΩ 1/16W J	1	C1
	R766	NRSA63J-473X	MG RESISTOR	47kΩ 1/16W J	1	K1,K2,C1
	R766	NRSA63J-822X	MG RESISTOR	8.2kΩ 1/16W J	1	E3
	R767	NRSA63J-333X	MG RESISTOR	33kΩ 1/16W J	1	K1,E3
	R767	NRSA63J-393X	MG RESISTOR	39kΩ 1/16W J	1	K2
	R768	NRSA63J-473X	MG RESISTOR	47kΩ 1/16W J	1	
	R770	NRSA63J-472X	MG RESISTOR	4.7kΩ 1/16W J	1	
	R771	NRSA63J-472X	MG RESISTOR	4.7kΩ 1/16W J	1	
	R772	NRSA63J-472X	MG RESISTOR	4.7kΩ 1/16W J	1	
	R773	NRSA63J-472X	MG RESISTOR	4.7kΩ 1/16W J	1	
	R774	NRSA63J-472X	MG RESISTOR	4.7kΩ 1/16W J	1	
	R775	NRSA63J-153X	MG RESISTOR	15kΩ 1/16W J	1	
	R776	NRSA63J-153X	MG RESISTOR	15kΩ 1/16W J	1	
	R777	NRSA63J-102X	MG RESISTOR	1kΩ 1/16W J	1	
	R778	NRSA63J-271X	MG RESISTOR	270Ω 1/16W J	1	
	R779	NRSA63J-271X	MG RESISTOR	270Ω 1/16W J	1	
	R780	NRSA63J-473X	MG RESISTOR	47kΩ 1/16W J	1	
	R781	NRSA63J-331X	MG RESISTOR	330Ω 1/16W J	1	
	R782	NRSA63J-821X	MG RESISTOR	820Ω 1/16W J	1	
	R783	NRSA63J-104X	MG RESISTOR	100kΩ 1/16W J	1	
	R784	NRSA63J-103X	MG RESISTOR	10kΩ 1/16W J	1	
	R785	NRSA63J-563X	MG RESISTOR	56kΩ 1/16W J	1	K1,K2,C1
	R785	NRSA63J-333X	MG RESISTOR	33kΩ 1/16W J	1	E3
	R786	NRSA63J-103X	MG RESISTOR	10kΩ 1/16W J	1	
	R789	NRSA63J-270X	MG RESISTOR	27Ω 1/16W J	1	
	R790	NRSA63J-270X	MG RESISTOR	27Ω 1/16W J	1	
	R793	NRS181J-0R0X	MG RESISTOR	0Ω 1/8W J	1	
	R794	NRSA63J-300X	MG RESISTOR	30Ω 1/16W J	1	
	R795	NRSA63J-103X	MG RESISTOR	10kΩ 1/16W J	1	
	R796	NRSA63J-103X	MG RESISTOR	10kΩ 1/16W J	1	
	R797	NRS181J-103X	MG RESISTOR	10kΩ 1/8W J	1	
	R851	NRSA63J-472X	MG RESISTOR	4.7kΩ 1/16W J	1	E3
	R891	NRSA63J-103X	MG RESISTOR	10kΩ 1/16W J	1	
	R892	NRSA63J-683X	MG RESISTOR	68kΩ 1/16W J	1	
	R893	NRS181J-123X	MG RESISTOR	12kΩ 1/8W J	1	

MODEL	MARK	MODEL	MARK	MODEL	MARK	MODEL	MARK
KDC-255U	K1	KDC-4557U	E3	KDC-MP255U	K2	KDC-MP3055U	C1

Safe	Symbol No.	Parts No.	Parts Name	Description	QTY	Local
R894		NRS181J-0R0X	MG RESISTOR	0Ω 1/8W J	1	
R901		NRS181J-682X	MG RESISTOR	6.8kΩ 1/8W J	1	
R902		NRS181J-682X	MG RESISTOR	6.8kΩ 1/8W J	1	
R905		NRS181J-103X	MG RESISTOR	10kΩ 1/8W J	1	
R906		NRSA63J-562X	MG RESISTOR	5.6kΩ 1/16W J	1	
R907		NRSA63J-155X	MG RESISTOR	1.5MΩ 1/16W J	1	
R908		NRSA63J-472X	MG RESISTOR	4.7kΩ 1/16W J	1	
R909		NRSA63J-273X	MG RESISTOR	27kΩ 1/16W J	1	
R941		NRS181J-472X	MG RESISTOR	4.7kΩ 1/8W J	1	
R951		NRSA63J-102X	MG RESISTOR	1kΩ 1/16W J	1	
R952		NRSA63J-331X	MG RESISTOR	330Ω 1/16W J	1	
R970		NRSA63J-473X	MG RESISTOR	47kΩ 1/16W J	1	
R971		NRSA63J-103X	MG RESISTOR	10kΩ 1/16W J	1	
R972		NRSA63J-103X	MG RESISTOR	10kΩ 1/16W J	1	
R973		NRSA63J-203X	MG RESISTOR	20kΩ 1/16W J	1	
R974		NRSA63J-473X	MG RESISTOR	47kΩ 1/16W J	1	
R975		NRSA02J-473X	MG RESISTOR	47kΩ 1/10W J	1	
R976		NRSA02J-683X	MG RESISTOR	68kΩ 1/10W J	1	
R979		NRSA63J-0R0X	MG RESISTOR	0Ω 1/10W J	1	
R981		NRSA63D-913X	MG RESISTOR	91kΩ 1/16W D	1	
R982		NRSA63D-273X	MG RESISTOR	27kΩ 1/16W D	1	
R983		NRSA63J-472X	MG RESISTOR	4.7kΩ 1/16W J	1	
R985		NRS181J-220X	MG RESISTOR	22Ω 1/8W J	1	
R986		NRSA63D-114X	MG RESISTOR	110kΩ 1/16W D	1	
R987		NRSA63J-103X	MG RESISTOR	10kΩ 1/16W J	1	
R988		NRSA63J-0R0X	MG RESISTOR	0Ω 1/10W J	1	
R990		NRSA63J-0R0X	MG RESISTOR	0Ω 1/10W J	1	
L1		NQL093K-R47X	PEAKING COIL	0.47uH K	1	
L2		NQL093K-1R8X	PEAKING COIL	1.8uH K	1	
L3		NQL093K-R27X	PEAKING COIL	0.27uH K	1	
L4		QQR1872-001	RF COIL		1	
L5		NQL114K-561X	PEAKING COIL	560uH K	1	
L6		NQL114K-561X	PEAKING COIL	560uH K	1	
L7		NQL79GM-4R7X	INDUCTOR	4.7uH M	1	
L8		NQL093K-4R7X	PEAKING COIL	4.7uH K	1	
L9		NQL093K-R47X	PEAKING COIL	0.47uH K	1	
L10		NQL103J-10NX	INDUCTOR	10nH J	1	K1,K2,C1
L11		NQR0251-002X	FERRITE BEADS		1	
L12		NQR0251-002X	FERRITE BEADS		1	
L531		NQR0154-006X	FERRITE BEADS		1	
L561		NQR0154-006X	FERRITE BEADS		1	
L562		NQR0154-006X	FERRITE BEADS		1	
L701		NQL79GM-4R7X	INDUCTOR	4.7uH M	1	
L702		NQR0154-006X	FERRITE BEADS		1	
L703		NQR0154-006X	FERRITE BEADS		1	
L704		NQR0154-006X	FERRITE BEADS		1	
L901		QQR1882-001	CHOKE COIL		1	
L981		QQL92AK-220Z	INDUCTOR	22uH K	1	
L982		NQLH25M-4R7X	INDUCTOR	4.7uH M	1	
CN502		QGF1040F1-26	FFC/FPC CONNECTOR	FFC/FPC (1-26)	1	
CN701		QGZ1102J1-20	DETACH CONNECTOR	(1-20)	1	
CN901		QNZ0607-001	CAR CONNECTOR		1	
J1		QNB0358-001	ANT TERMINAL		1	
J321		QNN0874-001	PIN JACK		1	K1,E3
J321		QNN0868-001	PIN JACK		1	K2,C1
S701		QSW0648-001Z	TACT SWITCH		1	
X1		QAX0952-001Z	CRYSTAL		1	
X540		QAX0929-001Z	C RESONATOR		1	
X701		QAX0968-001Z	CRYSTAL		1	
X702		QAX0401-001	CRYSTAL	32.768KHz	1	
DAUGHTER UNIT (X89-3130-10) <X89>						
IC80		MFI337S3959-X	MICROPROCESSOR IC		1	
C80		NCB31HK-104X	C CAPACITOR	0.1uF 50V K	1	
CN80		QGG2521M1-03	HEADER PIN	(1-3)	1	
CN81		QGG2504M5-02	HEADER PIN	(1-2)	1	
SWITCH UNIT (X16-739x-xx) <X16>						
IC601		PCA9633DP1-X	IC(MOS-IC)		1	
IC602		KSM-2003TN5B	IR SENSOR		1	K1,K2,C1
IC603		TPS2065CDBV-X	IC(MOS-IC)		1	
Q601		LTA014EUB-X	DIGI TRANSISTOR		1	
Q602		LTA014EUB-X	DIGI TRANSISTOR		1	
Q603		LTA014EUB-X	DIGI TRANSISTOR		1	
Q604		LTA014EUB-X	DIGI TRANSISTOR		1	K1,K2,C1
Q605		LTC014EUB-X	DIGI TRANSISTOR		1	K1,K2,C1
Q641		2SA2188/F-X	TRANSISTOR		1	
Q642		LSCR523UB-X	TRANSISTOR		1	
Q643		LSCR523UB-X	TRANSISTOR		1	
Q644		LSCR523UB-X	TRANSISTOR		1	
Q645		LSCR523UB-X	TRANSISTOR		1	
D601		RKZ5.1B2KG-X	ZENER DIODE		1	K1,K2,C1
D602		RKZ5.1B2KG-X	ZENER DIODE		1	
D603		RKZ5.1B2KG-X	ZENER DIODE		1	
D604		RKZ5.1B2KG-X	ZENER DIODE		1	
D605		RKZ5.1B2KG-X	ZENER DIODE		1	
D606		RKZ5.1B2KG-X	ZENER DIODE		1	
D607		RKZ5.1B2KG-X	ZENER DIODE		1	
D608		RKZ5.1B2KG-X	ZENER DIODE		1	
D609		RKZ5.1B2KG-X	ZENER DIODE		1	
D610		RKZ5.1B2KG-X	ZENER DIODE		1	
D611		RKZ5.1B2KG-X	ZENER DIODE		1	
D623		MBRX130-TP-X	SB DIODE		1	
D650		LRTBR98G-X	LED		1	
D651		LRTBR98G-X	LED		1	

MODEL	MARK	MODEL	MARK	MODEL	MARK	MODEL	MARK
KDC-255U	K1	KDC-4557U	E3	KDC-MP255U	K2	KDC-MP3055U	C1

Safe	Symbol No.	Parts No.	Parts Name	Description	QTY	Local
	D652	LRTBR98G-X	LED		1	
	D653	LRTBR98G-X	LED		1	
	D654	LRTBR98G-X	LED		1	
	D655	LRTBR98G-X	LED		1	
	D656	LRTBR98G-X	LED		1	
	D657	LRTBR98G-X	LED		1	
	D658	LRTBR98G-X	LED		1	
	D660	LRTBR98G-X	LED		1	
	D661	LRTBR98G-X	LED		1	
	D662	SML-D12V8W-X	LED		1	
	D663	SML-310VT-X	LED		1	
	D664	LRTBR98G-X	LED		1	
	C601	NCB31HK-472X	C CAPACITOR	4700pF 50V K	1	
	C602	NCB31HK-472X	C CAPACITOR	4700pF 50V K	1	
	C603	NCJ11EK-106X-R	C CAPACITOR	10uF 25V	1	
	C604	NCJ11EK-106X-R	C CAPACITOR	10uF 25V	1	
	C611	NCB31HK-102X	C CAPACITOR	1000pF 50V K	1	
	C612	NCB31HK-471X	C CAPACITOR	470pF 50V K	1	
	C614	NCB31HK-471X	C CAPACITOR	470pF 50V K	1	
	C615	NCB31HK-102X	C CAPACITOR	1000pF 50V K	1	
	C616	NCB31HK-104X	C CAPACITOR	0.1uF 50V K	1	
	C617	NCB31HK-104X	C CAPACITOR	0.1uF 50V K	1	
	C631	NDC31HJ-270X	C CAPACITOR	27pF 50V J	1	
	C632	NDC31HJ-270X	C CAPACITOR	27pF 50V J	1	
	C633	NCJ11EK-106X-R	C CAPACITOR	10uF 25V	1	
	C641	NCB31HK-104X	C CAPACITOR	0.1uF 50V K	1	K1,K2,C1
	C643	NCB31CK-105X	C CAPACITOR	1uF 16V K	1	
	C648	NCJ11EK-106X-R	C CAPACITOR	10uF 25V	1	
	R605	NRSA63J-182X	MG RESISTOR	1.8kΩ 1/16W J	1	
	R606	NRSA63J-182X	MG RESISTOR	1.8kΩ 1/16W J	1	
	R607	NRSA63J-182X	MG RESISTOR	1.8kΩ 1/16W J	1	
	R608	NRSA63J-182X	MG RESISTOR	1.8kΩ 1/16W J	1	
	R609	NRSA02J-0R0X	MG RESISTOR	0Ω 1/10W J	1	
	R610	NRSA02J-0R0X	MG RESISTOR	0Ω 1/10W J	1	
	R611	NRSA63J-101X	MG RESISTOR	100Ω 1/16W J	1	
	R612	NRSA63J-101X	MG RESISTOR	100Ω 1/16W J	1	
	R614	NRSA63J-0R0X	MG RESISTOR	0Ω 1/10W J	1	
	R615	NRSA63J-101X	MG RESISTOR	100Ω 1/16W J	1	
	R616	NRSA63J-101X	MG RESISTOR	100Ω 1/16W J	1	
	R617	NRSA63J-473X	MG RESISTOR	47kΩ 1/16W J	1	
	R618	NRSA63J-101X	MG RESISTOR	100Ω 1/16W J	1	
	R619	NRSA63J-101X	MG RESISTOR	100Ω 1/16W J	1	
	R620	NRSA63J-101X	MG RESISTOR	100Ω 1/16W J	1	
	R621	NRSA63J-0R0X	MG RESISTOR	0Ω 1/10W J	1	
	R622	NRSA63J-101X	MG RESISTOR	100Ω 1/16W J	1	
	R623	NRSA63J-101X	MG RESISTOR	100Ω 1/16W J	1	
	R624	NRSA63J-104X	MG RESISTOR	100kΩ 1/16W J	1	
	R625	NRSA63J-4R7X	MG RESISTOR	4.7Ω 1/16W J	1	
	R626	NRSA63J-473X	MG RESISTOR	47kΩ 1/16W J	1	
	R627	NRSA63J-473X	MG RESISTOR	47kΩ 1/16W J	1	
	R628	NRSA63J-473X	MG RESISTOR	47kΩ 1/16W J	1	
	R629	NRSA63J-103X	MG RESISTOR	10kΩ 1/16W J	1	
	R630	NRSA02J-2R4X	MG RESISTOR	2.4Ω 1/10W J	1	
	R631	NRSA02J-2R4X	MG RESISTOR	2.4Ω 1/10W J	1	
	R632	NRSA02J-2R4X	MG RESISTOR	2.4Ω 1/10W J	1	
	R633	NRSA02J-2R4X	MG RESISTOR	2.4Ω 1/10W J	1	
	R634	NRSA02J-2R4X	MG RESISTOR	2.4Ω 1/10W J	1	
	R635	NRSA02J-2R4X	MG RESISTOR	2.4Ω 1/10W J	1	
	R636	NRSA02J-3R0X	MG RESISTOR	3Ω 1/10W J	1	
	R637	NRSA63J-0R0X	MG RESISTOR	0Ω 1/10W J	1	K1,K2,C1
	R638	NRS181J-103X	MG RESISTOR	10kΩ 1/8W J	1	
	R641	NRS124J-100X	MG RESISTOR	10Ω 1/2W J	1	
	R642	NRSA63J-472X	MG RESISTOR	4.7kΩ 1/16W J	1	
	R643	NRSA02J-122X	MG RESISTOR	1.2kΩ 1/10W J	1	
	R645	NRSA63J-101X	MG RESISTOR	100Ω 1/16W J	1	
	R646	NRSA63J-101X	MG RESISTOR	100Ω 1/16W J	1	
	R647	NRSA63J-152X	MG RESISTOR	1.5kΩ 1/16W J	1	
	R648	NRSA63J-152X	MG RESISTOR	1.5kΩ 1/16W J	1	
	R649	NRSA63J-152X	MG RESISTOR	1.5kΩ 1/16W J	1	
	R651	NRS181J-102X	MG RESISTOR	1kΩ 1/8W J	1	
	R652	NRSA02J-122X	MG RESISTOR	1.2kΩ 1/10W J	1	
	R653	NRSA02J-122X	MG RESISTOR	1.2kΩ 1/10W J	1	
	R654	NRSA63J-0R0X	MG RESISTOR	0Ω 1/10W J	1	
	R657	NRS181J-911X	MG RESISTOR	910Ω 1/8W J	1	
	R658	NRSA02J-122X	MG RESISTOR	1.2kΩ 1/10W J	1	
	R659	NRSA02J-122X	MG RESISTOR	1.2kΩ 1/10W J	1	
	R660	NRS181J-911X	MG RESISTOR	910Ω 1/8W J	1	
	R661	NRSA63J-182X	MG RESISTOR	1.8kΩ 1/16W J	1	
	R662	NRSA63J-182X	MG RESISTOR	1.8kΩ 1/16W J	1	
	R663	NRSA02J-681X	MG RESISTOR	680Ω 1/10W J	1	
	R664	NRSA02J-681X	MG RESISTOR	680Ω 1/10W J	1	
	R665	NRSA02J-681X	MG RESISTOR	680Ω 1/10W J	1	
	R666	NRS181J-681X	MG RESISTOR	680Ω 1/8W J	1	
	R667	NRSA02J-681X	MG RESISTOR	680Ω 1/10W J	1	
	R668	NRSA02J-681X	MG RESISTOR	680Ω 1/10W J	1	
	R669	NRS181J-681X	MG RESISTOR	680Ω 1/8W J	1	
	R670	NRSA02J-681X	MG RESISTOR	680Ω 1/10W J	1	
	R671	NRSA02J-681X	MG RESISTOR	680Ω 1/10W J	1	
	R675	NRSA02J-152X	MG RESISTOR	1.5kΩ 1/10W J	1	
	R678	NRS181J-122X	MG RESISTOR	1.2kΩ 1/8W J	1	
	R679	NRSA63J-101X	MG RESISTOR	100Ω 1/16W J	1	
	R680	NRS181J-0R0X	MG RESISTOR	0Ω 1/8W J	1	
	R681	NRSA63J-101X	MG RESISTOR	100Ω 1/16W J	1	

MODEL	MARK	MODEL	MARK	MODEL	MARK	MODEL	MARK
KDC-255U	K1	KDC-4557U	E3	KDC-MP255U	K2	KDC-MP3055U	C1

Safe	Symbol No.	Parts No.	Parts Name	Description	QTY	Local
	R682	NRSA63J-101X	MG RESISTOR	100Ω 1/16W J	1	
	R683	NRSA63J-911X	MG RESISTOR	910Ω 1/16W J	1	
	R685	NRSA63J-472X	MG RESISTOR	4.7kΩ 1/16W J	1	
	R693	NRS181J-911X	MG RESISTOR	910Ω 1/8W J	1	
	R694	NRSA63J-182X	MG RESISTOR	1.8kΩ 1/16W J	1	
	R695	NRSA63J-182X	MG RESISTOR	1.8kΩ 1/16W J	1	
	R696	NRSA63J-0R0X	MG RESISTOR	0Ω 1/10W J	1	
	R699	NRSA63J-0R0X	MG RESISTOR	0Ω 1/10W J	1	
	L601	NQR0007-002X	FERRITE BEADS		1	
	L602	NQR0007-002X	FERRITE BEADS		1	
	L603	NQR0007-002X	FERRITE BEADS		1	
	L641	NQR0022-005X	FERRITE BEADS		1	
	CN601	QGZ1102K3-20X	DETACH CONNECTOR	(1-20)	1	
	CN603	QNZ1076-001	USB CONNECTOR		1	
	EN601	QSW1288-001	ROTARY ENCODER		1	
	FL601	QLF0206-001	FL TUBE		1	
	J602	QNS0308-001	3.5 JACK		1	
	LF691	NQR0536-001X	CHOKE COIL		1	
	S601	NSW0246-001X	TACT SWITCH		1	
	S602	NSW0246-001X	TACT SWITCH		1	
	S603	NSW0246-001X	TACT SWITCH		1	
	S604	NSW0246-001X	TACT SWITCH		1	
	S605	NSW0246-001X	TACT SWITCH		1	
	S606	NSW0246-001X	TACT SWITCH		1	
	S607	NSW0246-001X	TACT SWITCH		1	
	S608	NSW0246-001X	TACT SWITCH		1	
	S609	NSW0246-001X	TACT SWITCH		1	
	S610	NSW0246-001X	TACT SWITCH		1	
	S611	NSW0246-001X	TACT SWITCH		1	
	S612	NSW0246-001X	TACT SWITCH		1	
	S613	NSW0246-001X	TACT SWITCH		1	
	S614	NSW0246-001X	TACT SWITCH		1	
CD PLAYER UNIT (X32-6530-00) IN CD MECHA <X32>						
	R1	NRSA63J-131X	MG RESISTOR	130Ω 1/16W J	1	
	B1	NRS181J-0R0X	MG RESISTOR	0Ω 1/8W J	1	
	CN101	QGF1044F2-26X	FFC/FPC CONNECTOR	FFC/FPC (1-26)	1	
	CN102	QGF0522F3-15W	FFC/FPC CONNECTOR	FFC/FPC (1-15)	1	
	SW1	S68-0157-05	PUSH SWITCH		1	
	SW2	S68-0157-05	PUSH SWITCH		1	
	SW3	S68-0157-05	PUSH SWITCH		1	
	SW4	S68-0157-05	PUSH SWITCH		1	