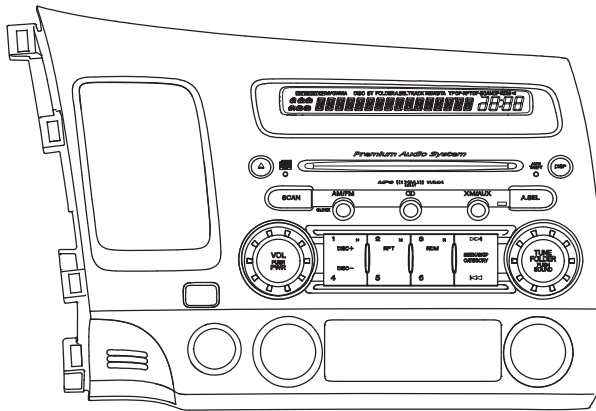


Service Manual



PH-2761C-F

HONDA Automobile Genuine
 AM/FM Radio CD Stereo
 (Pre-AMP Type)

Model PH-2761C-F
 (Genuine No. 39100-SVA-A11)
 (ID No. 4PC0 / ID Label: HM-B)

Model PH-2761C-G
 (Genuine No. 39100-SVA-A11)
 (ID No. 4PC0 / ID Label: HM-H)

Model PH-2761C-H
 (Genuine No. 39100-SVA-C11)
 (ID No. 4PC1 / ID Label: HN-B)

Model PH-2761C-I
 (Genuine No. 39100-SVB-A11)
 (ID No. 4TC0 / ID Label: HP)

Model PH-2761C-J
 (Genuine No. 39100-SVB-C11)
 (ID No. 4TC1 / ID Label: HQ)

Model PH-2761C-K
 (Genuine No. 39100-SNA-K51)
 (ID No. 4TC6 / ID Label: TL-B)

ORIGINAL SERVICE MANUAL

This additional service manual is designed to be used together with the original manual.

| | Original model | Manual No. |
|------------|----------------|-------------|
| PH-2761C-F | PH-2761C-A | 298-6303-00 |
| PH-2761C-G | PH-2761C-B | |
| PH-2761C-H | PH-2761C-C | |
| PH-2761C-I | PH-2761C-D | |
| PH-2761C-J | PH-2761C-E | |
| PH-2761C-K | PH-2761C-D | |

DIFFERENT POINT

CD mechanism and some parts were changed from the original model(PH-2761C-A/B/C/D/E).

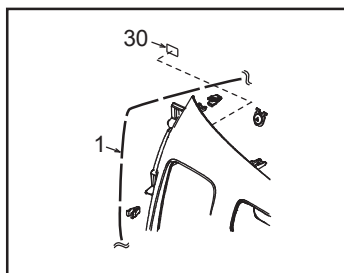
| | PH-2761C-A/B/C/D/E | PH-2761C-F/G/H/I/J/K |
|--------------|--------------------|----------------------|
| CD mechanism | 929-0292-80 | 929-5000-80 |

EXPLODED VIEW / PARTS LIST

Escutcheon section

* Other parts are the same as the original model. Please refer to page 10 of the original service manual.

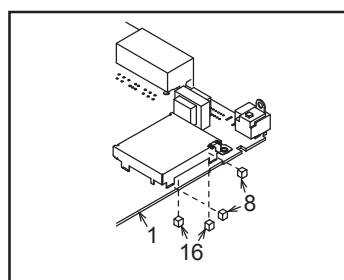
| NO. | PART NO. | DESCRIPTION | Q'TY |
|-----|-------------|------------------------|------|
| 1 | 940-8109-14 | ES-ASSY (PH2761CF) | 1 |
| | 940-8109-54 | ES-ASSY (PH2761CG) | |
| | 940-8109-64 | ES-ASSY (PH2761CH) | |
| | 940-8109-74 | ES-ASSY (PH2761CI) | |
| | 940-8109-84 | ES-ASSY (PH2761CJ) | |
| | 940-8152-40 | ES-ASSY (PH2761CK) | |
| 5 | 379-1373-43 | LCD (PH2761CF/G/H) | 1 |
| | 379-1339-42 | LCD (PH2761CI/J/K) | |
| 29 | 347-7841-51 | PROTECTOR | 1 |
| 30 | 290-0016-01 | LABE (HM-B) (PH2761CF) | 1 |
| | 290-0016-08 | LABEL(HM-H) (PH2761CG) | |
| | 290-0016-02 | LABEL(HN-B) (PH2761CH) | |
| | 290-0016-03 | LABEL(HP) (PH2761CI) | |
| | 290-0016-04 | LABEL(HQ) (PH2761CJ) | |
| | 290-0016-19 | LABEL(TL-B) (PH2761CK) | |



Main section

* Other parts are the same as the original model. Please refer to page 11 of the original service manual.

| NO. | PART NO. | DESCRIPTION | Q'TY |
|-----|-------------|-----------------------|------|
| 4 | 310-1817-02 | UPPER CASE | 1 |
| 8 | 345-8581-03 | GASKET | 2 |
| 10 | 816-4028-50 | FLAT WIRE | 1 |
| 16 | 345-8720-00 | GASKET | 2 |
| 17 | 714-2603-8B | MACHINE SCREW(M2.6x3) | 2 |
| 19 | 929-5000-80 | CD-MECH-MODULE | 1 |
| 21 | 286-6685-11 | SETPLATE (PH2761CF) | 1 |
| | 286-6685-13 | SETPLATE (PH2761CG) | |
| | 286-6685-14 | SETPLATE (PH2761CH) | |
| | 286-6685-17 | SETPLATE (PH2761CI) | |
| | 286-6685-18 | SETPLATE (PH2761CJ) | |
| | 286-6685-28 | SETPLATE (PH2761CK) | |
| 22 | ----- | SOCKET CVR(Unused) | 1 |
| 31 | 074-1237-79 | OUTLET SOCKET(MECH) | 1 |



NOTE)

| | ES color code | LCD color |
|------------------|---------------|-----------|
| PH-2761C-F(M-B) | NH608L | BLUE |
| PH-2761C-G(HM-H) | YR334L | BLUE |
| PH-2761C-H(HN-B) | NH608L | BLUE |
| PH-2761C-I(HP) | NH608L | AMBER |
| PH-2761C-J(HQ) | NH608L | AMBER |
| PH-2761C-K(TL-B) | NH608L | AMBER |

ELECTRICAL PARTS LIST

Main PWB section(B1)

* Other parts are the same as the original model. Please refer to page 14 of the original service manual.

| REF No. | PART No. | DESCRIPTION | REF No. | PART No. | DESCRIPTION |
|---------|-------------|---------------|---------|-------------|-------------------------|
| C212 | 043-0554-90 | 25V 100F | R806 | 119-3331-15 | 1/10W 33k ohm |
| C215 | 163-1073-15 | 6.3V 100uF | R811 | 119-1031-15 | 1/10W 10k ohm |
| C217 | 119-3331-15 | 1/10W 33k ohm | R812 | 119-1031-15 | 1/10W 10k ohm |
| C221 | 163-4763-15 | 6.3V 47uF | R813 | 119-1031-15 | 1/10W 10k ohm |
| C222 | 043-0554-90 | 25V 100F | R814 | 119-1031-15 | 1/10W 10k ohm |
| C226 | 043-0554-90 | 25V 100F | TC701 | 004-1583-51 | 10P6 WHIT |
| C228 | 163-1073-15 | 6.3V 100uF | X702 | 061-3506-80 | 32.768MHz |
| C231 | 168-1042-78 | 16V 0.1uF | PWB | 039-2882-00 | PWB(WITHOUT COMPONENTS) |
| C400 | 168-1022-55 | 1000pF K | | | |
| C467 | (Unused) | | | | |
| C502 | 163-2263-15 | 6.3V 22uF | | | |
| C564 | 163-1073-35 | 16V 100uF | | | |

Switch PWB section(B2)

* Other parts are the same as the original model. Please refer to page 16 of the original service manual.

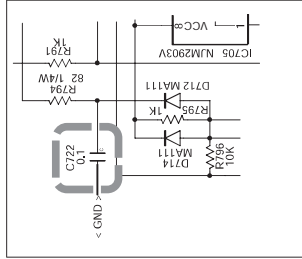
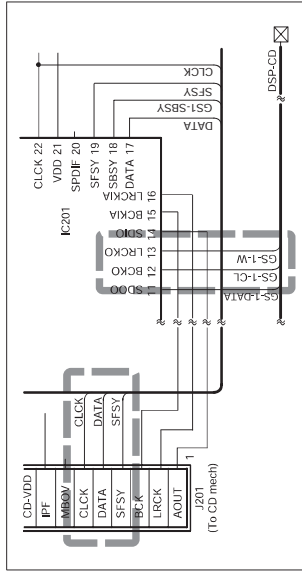
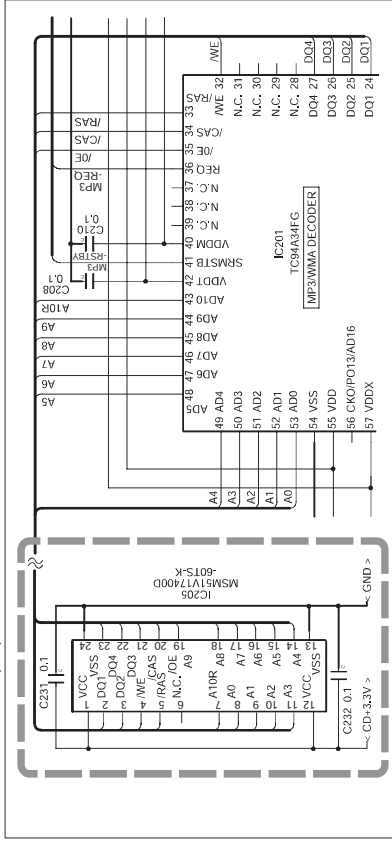
| REF No. | PART No. | DESCRIPTION | REF No. | PART No. | DESCRIPTION |
|---------|-------------|------------------------|---------|-------------|-------------------------|
| C112 | (Unused) | | D220 | (Unused) | |
| C113 | (Unused) | | D221 | (Unused) | |
| D101 | 001-7100-90 | NESB017-EE2-KLP7-17.5 | LCD101 | 379-1373-43 | LCD(INDICATOR) |
| | | (PH2761CF/G/H) | | | (PH2761CF/G/H) |
| | | NESB017-ED2-KLP2LP3*17 | Q205 | 379-1339-42 | LCD(INDICATOR) |
| | | (PH2761CF/G/H) | Q206 | (Unused) | |
| | | NESB017-EE2-KLP7-17.5 | R105 | 116-2711-15 | 1/4W 270 ohm |
| | | (PH2761CF/G/H) | R106 | 116-2211-15 | 1/4W 220 ohm |
| | | NESB017-ED2-KLP2LP3*17 | | | (PH2761CF/G/H) |
| | | (PH2761CF/G/H) | | | (PH2761CF/G/H) |
| | | NESB017-EE2-KLP7-17.5 | R107 | 116-2711-15 | 1/4W 270 ohm |
| | | (PH2761CF/G/H) | | | (PH2761CF/G/H) |
| | | NESB017-ED2-KLP2LP3*17 | R108 | 116-2211-15 | 1/4W 220 ohm |
| | | (PH2761CF/G/H) | | | (PH2761CF/G/H) |
| | | NESB017-EE2-KLP7-17.5 | R109 | 116-2711-15 | 1/4W 270 ohm |
| | | (PH2761CF/G/H) | | | (PH2761CF/G/H) |
| | | NESB017-ED2-KLP2LP3*17 | R110 | 116-2711-15 | 1/4W 270 ohm |
| | | (PH2761CF/G/H) | | | (PH2761CF/G/H) |
| | | NESB017-EE2-KLP7-17.5 | R111 | 116-2211-15 | 1/4W 220 ohm |
| | | (PH2761CF/G/H) | | | (PH2761CF/G/H) |
| | | NESB017-ED2-KLP2LP3*17 | PWB | 039-2973-00 | PWB(WITHOUT COMPONENTS) |
| | | (PH2761CF/G/H) | | | |
| | | NESB017-EE2-KLP2LP3*17 | | | |
| | | (PH2761CF/G/H) | | | |

CIRCUIT DIAGRAM

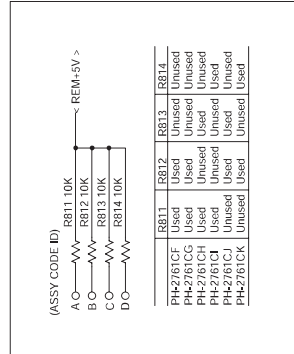
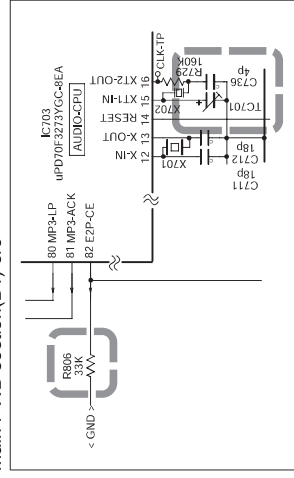
Changed point

* Please refer to ELECTRICAL PARTS LIST about the changed parts.
* Other circuits are the same as the original model.
Please refer to the original service manual [page21-25].

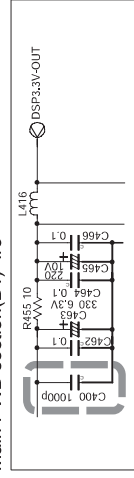
Main PWB section(B1) 2/5



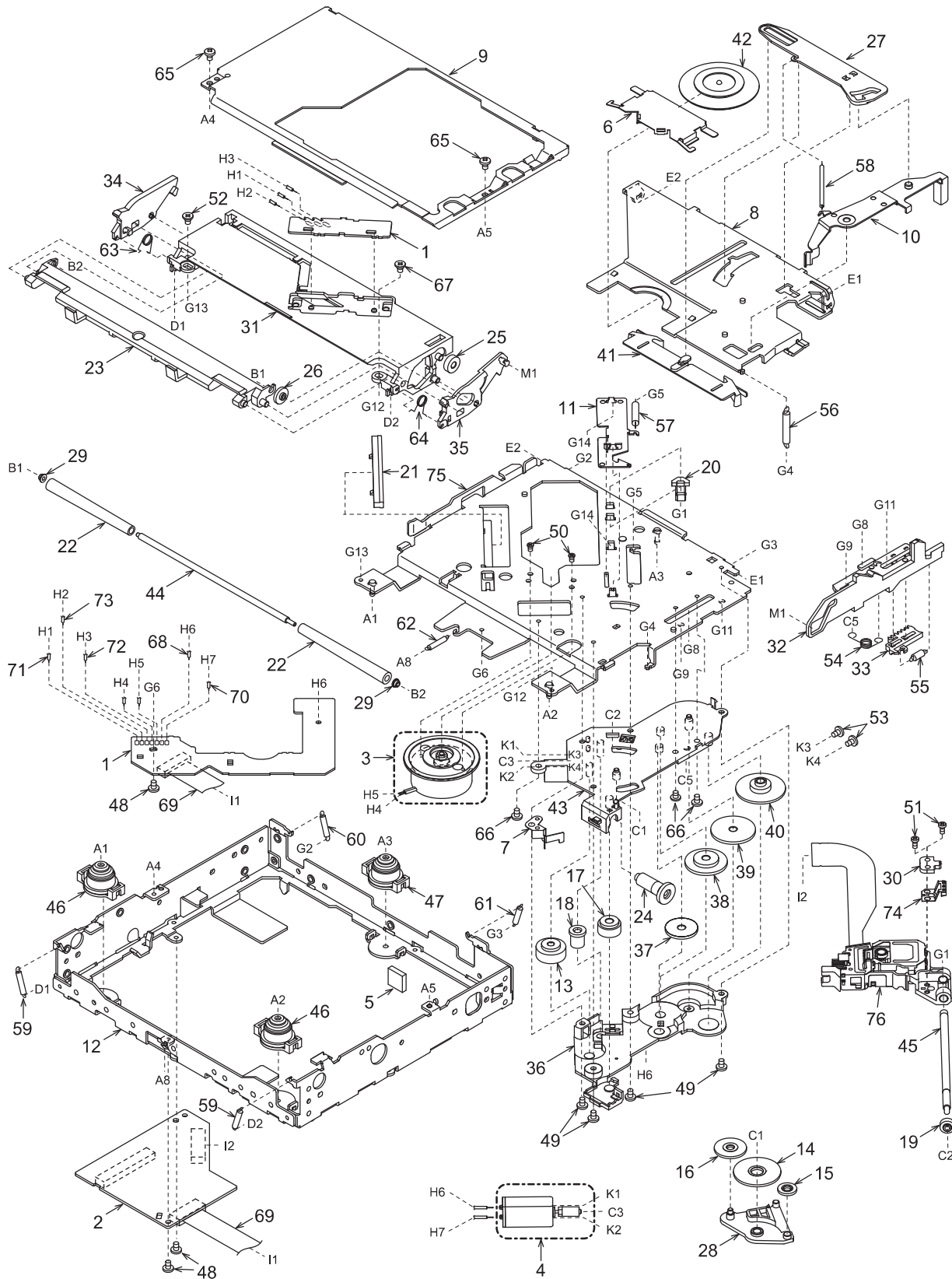
Main PWB section(B1) 3/5



Main PWB section(B1) 4/5



EXPLODED VIEW / PARTS LIST



| NO. | PART NO. | DESCRIPTION | Q'TY | NO. | PART NO. | DESCRIPTION | Q'TY |
|-----|-------------|--------------------|------|-----|-------------|-----------------------|------|
| 1 | ----- | SENSOR PWB | 1 | 39 | 621-1750-20 | POWER GEAR C | 1 |
| 2 | ----- | MAIN PWB | 1 | 40 | 621-1751-20 | POWER GEAR D | 1 |
| 3 | SMA-182-100 | SPINDLE MOTOR-ASSY | 1 | 41 | 621-1752-20 | DISC STOPPER | 1 |
| 4 | SMA-183-100 | SLED MOTOR-ASSY | 1 | 42 | 621-1753-20 | CLAMPER RING | 1 |
| 5 | 345-5476-20 | CUSHION RUBBER | 1 | 43 | 621-1754-20 | GEAR BASE | 1 |
| 6 | 620-1023-23 | CLAMPER PLATE | 1 | 44 | 622-1571-21 | ROLLER SHAFT | 1 |
| 7 | 620-1026-21 | SPRING PLATE | 1 | 45 | 624-0020-00 | LEAD SCREW | 1 |
| 8 | 620-1596-23 | CLAMPER LINK | 1 | 46 | 629-0086-20 | DAMPER F | 2 |
| 9 | 620-1598-22 | UPPER CHASSIS | 1 | 47 | 629-0087-20 | DAMPER R | 1 |
| 10 | 620-1752-20 | SENSOR ARM | 1 | 48 | 716-1507-01 | SCREW(M2x3) | 3 |
| 11 | 620-1753-20 | ID-LOCK PLATE | 1 | 49 | 716-1670-01 | SCREW(M2x4) | 4 |
| 12 | 620-1754-20 | LOWER CHASSIS | 1 | 50 | 716-1733-01 | SCREW(M1.7x2.3) | 2 |
| 13 | 621-0608-21 | SECOND GEAR | 1 | 51 | 716-3469-01 | SCREW(1.7x4) | 2 |
| 14 | 621-0609-20 | BASE GEAR | 1 | 52 | 716-3473-01 | SCREW(M2x3) | 1 |
| 15 | 621-0610-20 | IDLE GEAR A | 1 | 53 | 716-3551-00 | SCREW(M1.4x2.5) | 2 |
| 16 | 621-0611-20 | IDLE GEAR B | 1 | 54 | 750-3467-21 | SHIFT SPRING | 1 |
| 17 | 621-0612-21 | ROLLER GEAR A | 1 | 55 | 750-3468-20 | RACK SPRING | 1 |
| 18 | 621-0620-20 | THREAD GEAR A | 1 | 56 | 750-3469-20 | CLAMPER SPRING | 1 |
| 19 | 621-0621-20 | THREAD GEAR B | 1 | 57 | 750-3470-20 | ID-LOCK SPRING | 1 |
| 20 | 621-0623-23 | LS-HOLDER | 1 | 58 | 750-3471-20 | SENSOR SPRING | 1 |
| 21 | 621-0624-22 | GUIDE RAIL | 1 | 59 | 750-3472-21 | DR-SPRING F | 2 |
| 22 | 621-0711-20 | LOADING ROLLER | 2 | 60 | 750-3473-20 | DR-SPRING RA | 1 |
| 23 | 621-0718-21 | ROLLER GUIDE | 1 | 61 | 750-3474-20 | DR-SPRING RB | 1 |
| 24 | 621-0719-20 | ROLLER GEAR B | 1 | 62 | 750-3475-21 | DR-SPRING C | 1 |
| 25 | 621-0720-20 | ROLLER GEAR C | 1 | 63 | 750-6797-20 | ROLLER SPRING L | 1 |
| 26 | 621-0721-20 | ROLLER GEAR D | 1 | 64 | 750-6798-20 | ROLLER SPRING R | 1 |
| 27 | 621-0728-20 | STOPPER LINK | 1 | 65 | 714-2003-8B | SCREW(M2x3) | 2 |
| 28 | 621-1719-20 | IDLE CASE | 1 | 66 | 780-2025-00 | SCREW(M2x2.5) | 3 |
| 29 | 621-1726-20 | ROLLER SLEEVE | 2 | 67 | 781-1730-00 | SCREW(M1.7x3) | 1 |
| 30 | 621-1729-20 | SH-BASE | 1 | 68 | 803-4906-60 | VINYL-COAT-WIRE(ORG) | 1 |
| 31 | 621-1742-20 | UPPER GUIDE | 1 | 69 | 816-2542-01 | FLAT WIRE | 1 |
| 32 | 621-1743-20 | SHIFT LEVER | 1 | 70 | 816-2590-00 | VINYL-COAT-WIRE(GRN) | 1 |
| 33 | 621-1744-20 | RACK | 1 | 71 | 816-2591-00 | VINYL-COAT-WIRE(YEL) | 1 |
| 34 | 621-1745-20 | LOCK ARM L | 1 | 72 | 816-2592-00 | VINYL-COAT-WIRE(BLUE) | 1 |
| 35 | 621-1746-20 | LOCK ARM R | 1 | 73 | 816-2593-00 | VINYL-COAT-WIRE(PUR) | 1 |
| 36 | 621-1747-20 | GEAR COVER | 1 | 74 | 966-1722-20 | SH-RACK-ASSY | 1 |
| 37 | 621-1748-20 | POWER GEAR A | 1 | 75 | 966-1743-21 | DRIVE-PLT-ASSY | 1 |
| 38 | 621-1749-20 | POWER GEAR B | 1 | 76 | 969-0071-30 | PICKUP-ASSY | 1 |

ELECTRICAL PARTS LIST

CD PWB(BM1) section

| REF No. | PART No. | DESCRIPTION | REF No. | PART No. | DESCRIPTION | REF No. | PART No. | DESCRIPTION |
|---------|-------------|-------------|---------|-------------|-------------------|---------|-------------|------------------------|
| C1 | 168-1042-78 | 16V 0.1uF | C27 | 046-3332-78 | 0.033uF | R2 | 117-1001-15 | 1/8W 10 ohm |
| C2 | 163-1073-35 | 16V 100uF | C29 | 046-6822-58 | 6800pF | R3 | 033-2211-15 | 1/10W 220 ohm |
| C4 | 178-1052-78 | 1uF | C30 | 168-1042-78 | 16V 0.1uF | R5 | 033-0000-05 | 1/10W 0 ohm |
| C5 | 042-0560-85 | 6.3V 100uF | C31 | 046-4712-58 | 470pF | R6 | 033-5621-15 | 1/10W 5.6k ohm |
| C6 | 178-1052-78 | 1uF | C32 | 046-4712-58 | 470pF | R7 | 033-4731-15 | 1/10W 47k ohm |
| C8 | 178-1052-78 | 1uF | C33 | 168-1042-78 | 16V 0.1uF | R8 | 033-3341-15 | 1/10W 330k ohm |
| C10 | 168-1042-78 | 16V 0.1uF | C34 | 168-4732-78 | 16V 0.047uF | R9 | 033-2231-15 | 1/10W 22k ohm |
| C11 | 168-1042-78 | 16V 0.1uF | C35 | 168-4732-78 | 16V 0.047uF | R10 | 033-2231-15 | 1/10W 22k ohm |
| C12 | 045-4701-50 | 47pF | C36 | 045-1007-50 | 10pF | R11 | 033-2731-15 | 1/10W 27k ohm |
| C13 | 046-1532-78 | 0.015uF | C37 | 045-1007-50 | 10pF | R12 | 033-4731-15 | 1/10W 47k ohm |
| C14 | 168-1042-78 | 16V 0.1uF | C38 | 168-1042-78 | 16V 0.1uF | R13 | 033-2731-15 | 1/10W 27k ohm |
| C15 | 046-1032-78 | 0.015uF | C39 | 046-5622-58 | 5600pF | R14 | 033-1531-15 | 1/10W 15k ohm |
| C17 | 046-4722-58 | 4700pF | C40 | 168-1042-78 | 16V 0.1uF | R15 | 033-2731-15 | 1/10W 27k ohm |
| C18 | 046-1522-58 | 1500pF | CCT1 | 050-0140-63 | 1/32W 47k ohm x4J | R16 | 033-8231-15 | 1/10W 82k ohm |
| C19 | 168-1042-78 | 16V 0.1uF | D1 | 001-0367-91 | 1SS226 | R17 | 033-2731-15 | 1/10W 27k ohm |
| C20 | 168-1042-78 | 16V 0.1uF | IC1 | 051-6079-90 | BA5830FPG | R18 | 033-8231-15 | 1/10W 82k ohm |
| C21 | 046-6812-58 | 680pF | IC2 | 051-6399-00 | TC94A15F | R19 | 033-1051-15 | 1/10W 1M ohm |
| C22 | 168-1042-78 | 16V 0.1uF | J101 | 074-1228-79 | 29P | R20 | 119-2221-15 | 1/10W 2.2k ohm |
| C23 | 046-1532-78 | 0.015uF | J201 | 074-1138-65 | 15P | X2 | 061-3534-90 | 16.92MHz |
| C24 | 168-1042-78 | 16V 0.1uF | J301 | 074-1138-60 | 10P | PWB | 039-2741-20 | PWB(WITHOUT COMPONENT) |
| C25 | 045-6801-50 | 68pF | Q1 | 131-1188-50 | 2SB1188PQR | | | |
| C26 | 168-1042-78 | 16V 0.1uF | R1 | 117-6811-15 | 1/8W 680 ohm | | | |

Sensor PWB(BM2) section

| REF No. | PART No. | DESCRIPTION | REF No. | PART No. | DESCRIPTION | REF No. | PART No. | DESCRIPTION |
|---------|-------------|-------------|---------|-------------|-------------|---------|-------------|------------------------|
| D1 | 001-7058-90 | AN1105W-RR | Q1 | 060-4015-91 | PS1192HB | S2 | 013-7413-50 | LIMIT |
| D2 | 001-7058-90 | AN1105W-RR | Q2 | 060-4015-91 | PS1192HB | PWB | 039-2675-20 | PWB(WITHOUT COMPONENT) |
| J1 | 074-1138-60 | 10P | S1 | 013-7414-50 | CHUCKING | | | |