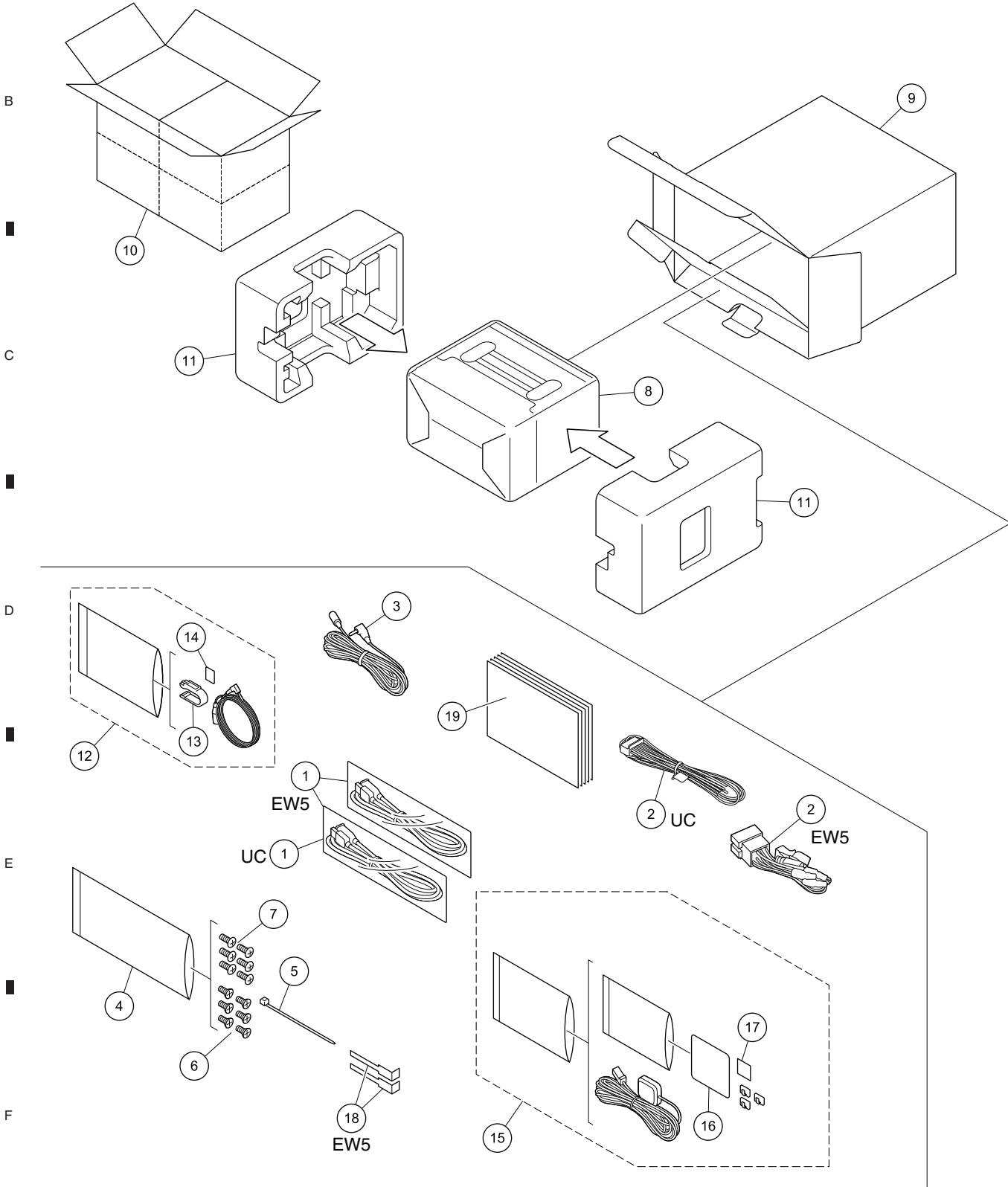


9. EXPLODED VIEWS AND PARTS LIST

NOTES : • Parts marked by "*" are generally unavailable because they are not in our Master Spare Parts List.

- The ⚠ mark found on some component parts indicates the importance of the safety factor of the part. Therefore, when replacing, be sure to use parts of identical designation.
- Screw adjacent to ▽ mark on the product are used for disassembly.
- For the applying amount of lubricants or glue, follow the instructions in this manual.
(In the case of no amount instructions, apply as you think it appropriate.)

9.1 PACKING



(1) PACKING SECTION PARTS LIST

<u>Mark No.</u>	<u>Description</u>	<u>Part No.</u>	<u>Mark No.</u>	<u>Description</u>	<u>Part No.</u>
1	USB Extended Cable	CDP1608	15	GPS Antenna Assy	CXE5736
2	Cord Assy	See Contrast table (2)			
3	Cable Assy	See Contrast table (2)	16	Sheet	CZN7151
4	Polyethylene Bag	CEG1160	17	Double Side Tape	CYN1012
* 5	Lock Tie	CNW2429	18	Handle	See Contrast table (2)
			19-1	Quick Start Guide	See Contrast table (2)
6	Screw	CRZ50P090FTC	19-2	Installation Manual	See Contrast table (2)
7	Screw	TRZ50P080FTC			
8	Cover	See Contrast table (2)	* 19-3	Registration Card	See Contrast table (2)
9	Unit Box	See Contrast table (2)	19-4	Quick Start Guide	See Contrast table (2)
10	Contain Box	See Contrast table (2)	19-5	Quick Start Guide	See Contrast table (2)
			19-6	Quick Start Guide	See Contrast table (2)
11	Protector	See Contrast table (2)	19-7	Owner's Manual	See Contrast table (2)
12	Microphone Assy	CPM1083			
13	Holder	CZN7192	* 19-8	Warranty card	See Contrast table (2)
14	Cushion	CZN7193	19-9	Installation Manual	See Contrast table (2)

(2) CONTRAST TABLE

SPH-DA120/XNUC and SPH-DA120/XNEW5 are constructed the same except for the following:

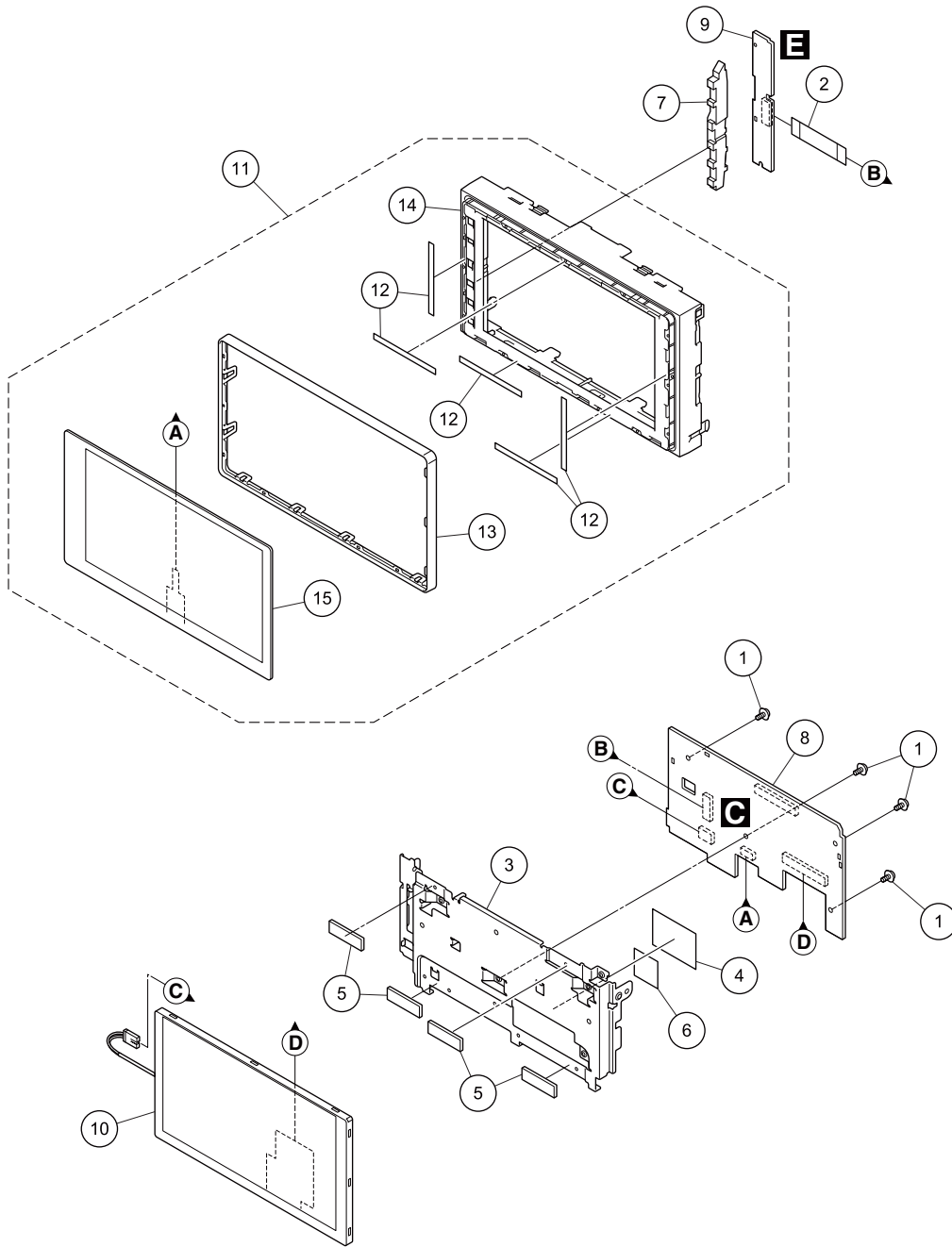
Mark	No.	Description	SPH-DA120/XNUC	SPH-DA120/XNEW5
	2	Cord Assy	CDP1665	CDP1670
	3	Cord Assy	CDP1396	Not used
	8	Cover	CEG1359	CEG1356
	9	Unit Box	CHG8640	CHG8641
	10	Contain Box	CHL8640	CHL8641
	11	Protector	CHP4863	CHP4864
	18	Handle	Not used	CND6289
	19-1	Quick Start Guide	CRD4798	CRB4429
	19-2	Installation Manual	CRD4800	CRD4805
*	19-3	Registration Card	CRY1271	Not used
	19-4	Quick Start Guide	Not used	CRD4801
	19-5	Quick Start Guide	Not used	CRD4802
	19-6	Quick Start Guide	Not used	CRD4803
	19-7	Owner's Manual	CRD4799	CRD4804
*	19-8	Warranty card	QRY3001	CRY1376
	19-9	Installation Manual	Not used	CRB4490

Owner's Manual, Installation Manual

Part No.	Language
CRD4798	English, French
CRD4799	English, French
CRD4800	English, French
CRD4801	English(Great Britain), French
CRD4802	Italian, Spanish(Espanol)
CRD4803	German, Dutch
CRD4804	English(Great Britain), French, Italian, Spanish(Espanol), German, Dutch, Russian
CRD4805	English(Great Britain), French, Italian, Spanish(Espanol), German, Dutch, Russian
CRB4429	Russian
CRB4490	Russian

1 2 3 4

9.2 EXTERIOR (1)



5 6 7 8

EXTERIOR (1) SECTION PARTS LIST

<u>Mark No.</u>	<u>Description</u>	<u>Part No.</u>	
1	Screw	ASZ26P050FTC	
2	FFC	CDE9768	A
3	Holder	CND7008	
4	Sheet	CNN4232	
5	Cushion	CNN4615	
6	Sheet	CNN4869	
7	Lighting Conductor	CNW3112	
8	Monitor Unit (Service)	CXX6933	
9	Key Unit (Service)	CXX6936	
10	TFT LCD	CWX4348	
11	Grille Assy		B
	UC	CXE7826	
	EW5	CXE7825	
* 12	Double Side Tape	CNN4685	
* 13	Escutcheon	CNU2274	
* 14	Grille	CNU2674	
* 15	Touch Panel	CSX1216	

C

D

E

F

9.3 EXTERIOR (2)

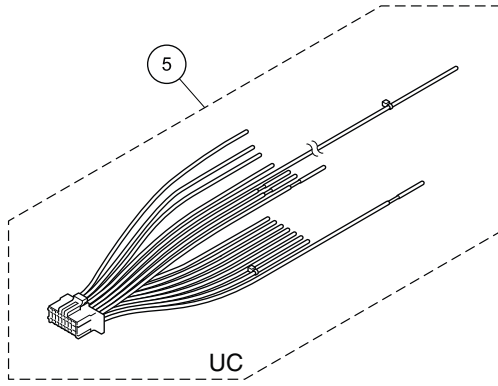
1

2

3

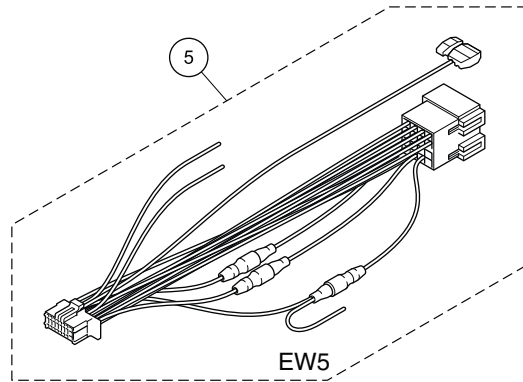
4

A



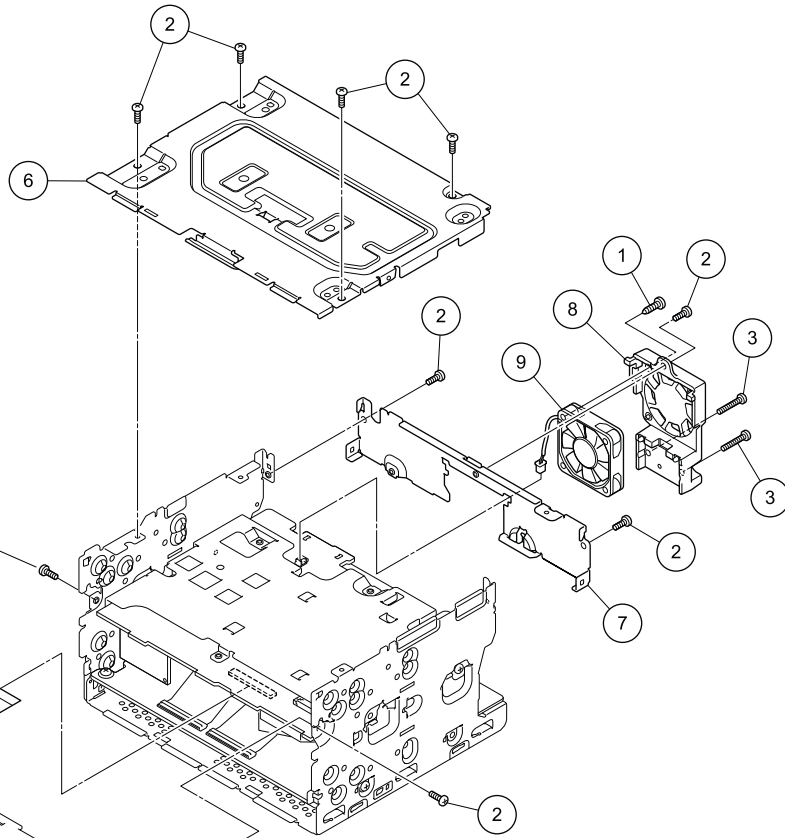
UC

B

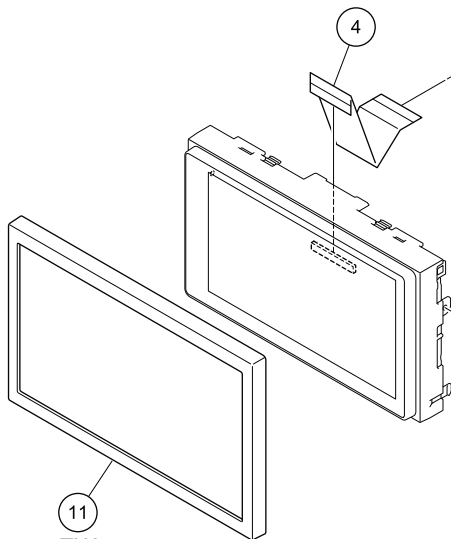


EW5

C

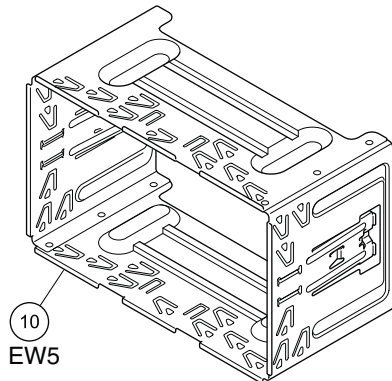


D



EW5

E



EW5

F

1

2

3

4

EXTERIOR (2) SECTION PARTS LIST

<u>Mark No.</u>	<u>Description</u>	<u>Part No.</u>	
1	Screw	BPZ30P080FTC	
2	Screw	BSZ26P060FTC	A
3	Screw	BSZ26P120FTC	
4	FFC	CDD1040	
5	Cord Assy		
	UC	CDP1665	
	EW5	CDP1670	
6	Case	CNB3762	
7	Holder	CND6989	
8	Heat Sink	CNR2165	
9	Fan Motor	CXM1449	B
10	Holder		
	UC	Not used	
	EW5	CND7102	
11	Panel		
	UC	Not used	
	EW5	CNU2645	

A

B

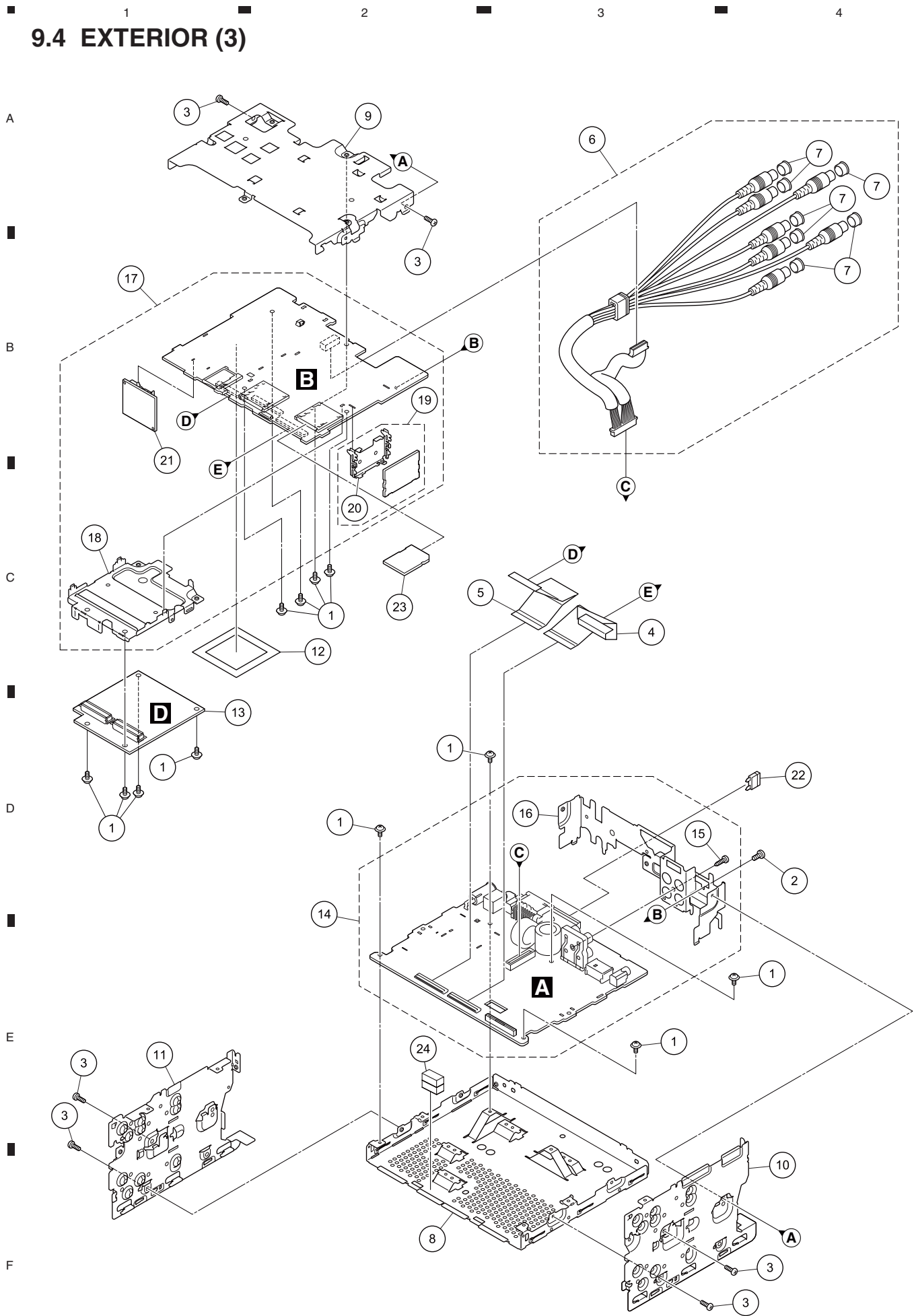
C

D


E

F

9.4 EXTERIOR (3)



EXTERIOR (3) SECTION PARTS LIST

<u>Mark No.</u>	<u>Description</u>	<u>Part No.</u>	
1	Screw	ASZ26P050FTC	
2	Screw	BMZ30P060FTC	A
3	Screw	BSZ26P060FTC	
4	FFC	CDD1035	
5	FFC	CDD1036	
6	Cord Assy	CDF1078	
7	Cap	CNV6727	
8	Chassis	CNA3310	
9	Holder	CND6984	
10	Bracket	CND6985	
11	Bracket	CND6986	B
12	Sheet	CNN4830	
13	SOC Single Core Unit	CWN7886	
14	AV Unit		
	UC	CWN8168	
	EW5	CWN8169	
15	Screw	BPZ26P080FTC	
16	Holder	CND6993	
17	IF Unit	CWN8194	
18	Holder	CND6987	C
19	Module	CWX4492	
20	Holder	CND6958	
21	BT Module	CWX4529	
 22	Fuse (10 A)	YEK5001	
23	Service Strage SD Assy	CXX6299	
24	Cushion	CNN5004	D
			E
			F

12. ELECTRICAL PARTS LIST

NOTE:

- Parts whose parts numbers are omitted are subject to being not supplied.
- The part numbers shown below indicate chip components.

Chip Resistor

RS1/○S○○○○J,RS1/○○S○○○○J

Chip Capacitor (except for CQS.....)

CKS....., CCS....., CSZS.....

- The \triangle mark found on some component parts indicates the importance of the safety factor of the part. Therefore, when replacing, be sure to use parts of identical designation.
- Meaning of the figures and others in the parentheses in the parts list.

Example) IC 301 is on the point (face A, 91 of x-axis, and 111 of y-axis) of the corresponding PC board.

IC 301 (A, 91, 111) IC NJM2068V

- The expression of the unit in this manual is shown by μ instead of μ . Please do not make a mistake.

<u>Circuit Symbol and No.</u>	<u>Part No.</u>	<u>Circuit Symbol and No.</u>	<u>Part No.</u>
A:SPH-DA120/XNUC		IC 902 (B,57,19) Dual OP-AMP	NJM4565V
B:SPH-DA120/XNEW5		IC 1002 (B,145,74) Dual OP-AMP	NJM4565V
Unit Number : CWN8168(A)		IC 1003 (B,148,99) Dual OP-AMP	NJM4565V
Unit Number : CWN8169(B)		IC 1005 (B,151,86) IC	TC4052BFT
Unit Name : AV Unit		IC 1101 (B,131,55) IC	AK7734XQ
Unit Number : CWN8194		IC 1201 (A,114,44) Conv IC	WM8761BGED
Unit Name : IF Unit		IC 1202 (A,113,54) Conv IC	WM8761BGED
Unit Number : CXX6933		IC 1203 (A,111,64) Conv IC	WM8761BGED
Unit Name : Monitor Unit (Service)		IC 1301 (B,76,89) IC	PM9012A
Unit Number : CWN7886		IC 1501 (A,41,63) Tuner IC	TEF6686HN
Unit Name : SOC Single Core Unit		Q 101 (B,64,105) Transistor	LSCR523UB
Unit Number : CXX6936		Q 102 (B,129,78) Transistor	HN1C01FU
Unit Name : Key Unit (Service)		Q 104 (B,63,108) Transistor	LTC014EEB
		Q 105 (B,49,104) Transistor	HN1C01FU
		Q 107 (B,60,106) Transistor	LSAR523UB
		Q 108 (B,55,106) Transistor	LSAR523UB
		Q 111 (B,58,104) Transistor	LTC014EEB
		Q 201 (B,76,111) Transistor	RN4987
		Q 202 (B,71,109) Transistor	RN4987
		Q 203 (B,74,111) Transistor	LTA024EEB
		Q 204 (B,81,113) Chip Transistor	RN1903
		Q 205 (B,85,110) Transistor	LSCR523UB
		Q 301 (B,156,38) Transistor	LTC014EEB
		Q 302 (B,159,38) Transistor	LSAR523UB
		Q 312 (A,149,45) Transistor	LSCR523UB
		Q 314 (B,121,37) Chip Transistor	2SB1689
		Q 315 (B,120,34) Transistor	LSCR523UB
		Q 602 (A,64,39) Transistor	LSCR523UB
		Q 1001 (B,151,81) Chip Transistor	RN1907
		Q 2201 (A,78,81) Chip Transistor	HN1C03FU
		Q 2202 (A,74,84) Chip Transistor	HN1C03FU
		Q 2203 (B,168,105) Chip Transistor	HN1C03FU
		Q 2204 (B,128,93) Chip Transistor	HN1C03FU
		Q 2205 (A,30,111) Chip Transistor	2SD2114K
		Q 2206 (A,23,111) Transistor	RN4984
		Q 2207 (A,37,114) Transistor	RN4984
		D 103 (B,68,109) Diode	UDZV6R2(B)
		D 105 (B,126,80) Diode	DZ2J200M0
		D 106 (B,125,76) Diode	UDZV7R5(B)
		D 107 (B,124,78) Diode	DAN202UM
IC 201 (A,95,136) Power AMP IC	PA2032A		
IC 302 (B,144,57) Regulator IC	MM3411A33N		
IC 303 (B,161,47) IC	NJW4132U2-A		
IC 304 (B,166,82) Regulator	BA00CC0WFP		
IC 305 (B,151,46) Regulator IC	R1514S033B-AE		
IC 504 (B,42,50) Regulator IC	MM3571A33P		
IC 601 (A,64,46) ROM IC	CAT93C66VI		
IC 602 (A,86,35) IC	PEQ321A8		
IC 603 (B,115,17) Reset IC	PST8229N		
IC 801 (B,71,62) IC	AK4223VQ		
IC 901 (B,47,29) IC	AK4223VQ		

A

Unit Number : CWN8168(A)

Unit Number : CWN8169(B)

Unit Name : AV Unit

MISCELLANEOUS

1

2

3

4

Circuit Symbol and No.**Part No.****Circuit Symbol and No.****Part No.**

D 109	(B,60,111) Diode	DA2J101	BZ601	(A,162,28) Buzzer	CPV1062
D 110	(B,75,136) Diode	1SR154-400	VL1501	(A,41,73) Variable Coil	CTE1172
D 111	(B,72,136) Diode	1SR154-400	CN2001	(A,104,11) Connector	CKS6646
D 112	(B,47,108) Diode	DZ2J056M0	CN2002	(A,67,11) Connector	CKS6646
D 113	(B,48,110) Diode	DZ2J180M0	CN2101	(A,153,115) Connector	CKS4497
D 116	(B,57,107) Diode	DA2J101	CN2201	(A,96,83) Connector	CKS6600
D 118	(B,52,106) Diode	DA2J101	JA 101	(A,61,131) Connector	CKM1613
D 120	(A,54,111) Diode	DA2J101	JA 1401	(A,13,119) Antenna Jack	YKS5041
D 122	(A,50,109) Diode	1SR154-400	JA2202	(A,171,119) Jack	CKS6437

D 123	(B,86,95) Diode	RB080L-30	JA2203	(A,127,113) Jack	CKB1112
D 124	(B,101,123) Diode	CRG03	JA2204	(A,27,131) Jack	AKN1073
D 201	(B,90,114) Diode	DA2J101	JA2205	(A,40,130) Jack	CKS6437
D 202	(B,72,116) Diode	DAN202UM			
D 203	(B,68,113) Diode	DAN202UM			

RESISTORS

D 205	(B,89,111) Diode	DZ2J082M0	R 102	(B,124,86)	RS1/10SR224J
D 206	(B,82,110) Diode	DA2J101	R 105	(B,67,106)	RS1/16SS473J
D 311	(B,168,43) Diode	RB551VM-30	R 106	(B,66,108)	RS1/16SS473J
D 601	(B,112,19) Diode	DA2J101	R 107	(B,66,111)	RS1/16SS432J
D 602	(B,90,23) Diode	RB501VM-40	R 108	(B,65,114) 1 kohm	CCN1326

D 603	(B,90,31) Diode	DB2J31400	R 109	(B,127,76)	RS1/16SS473J
D 1401	(B,20,103) Diode	EZAEG2A50AX	R 110	(B,128,80)	RS1/16SS103J
D 1501	(A,39,82) Diode	EZAEG2A50AX	R 111	(B,127,79)	RS1/16SS103J
D 1502	(A,33,75) Diode	EZAEG2A50AX	R 113	(B,128,75)	RS1/16SS473J
D 2204	(A,25,112) Diode	DZ2J043M0	R 114	(B,63,111)	RS1/16SS103J

L 101	(A,82,103) Choke Coil 600 uH	CTH1221	R 115	(B,63,114)	RS1/16SS472J
L 303	(A,167,39) Choke Coil 22 uH	CTH1561	R 116	(B,61,115)	RS1/4SA102J
L 901	(B,43,41) Inductor	CTF1786	R 117	(B,51,103)	RS1/16SS473J
L 902	(B,45,41) Inductor	CTF1786	R 118	(B,48,106)	RS1/16SS473J
L 1101	(A,126,54) Ferrite Bead	CTF1528	R 119	(B,49,106)	RS1/16SS104J

L 1102	(A,140,51) Ferrite Bead	CTF1528	R 120	(B,51,108)	RS1/16SS472J
L 1201	(A,109,48) Inductor	CTF1786	R 121	(B,47,112)	RS1/10SR102J
L 1202	(A,107,59) Inductor	CTF1786	R 122	(B,59,109)	RS1/16SS102J
L 1203	(A,110,70) Inductor	CTF1786	R 123	(B,61,108)	RS1/16SS103J
L 1204	(B,138,50) Chip Beads	VTL1132	R 124	(B,61,103)	RS1/16SS223J

L 1501	(A,49,54) Inductor	CTF1749	R 125	(B,54,112)	RS1/16SS103J
L 1503	(A,34,72) Chip Coil	LCTAW3R3J2520	R 126	(B,53,103)	RS1/16SS223J
L 1504	(B,26,96) Inductor	ATL7033	R 127	(B,56,108)	RS1/16SS102J
L 1505	(A,41,81) Inductor	LCMAR27J1608	R 128	(B,55,108)	RS1/16SS103J
L 1506	(A,29,72) Chip Coil	LCTAWR27J2520	R 129	(B,51,113)	RS1/16SS103J

L 2201	(A,91,71) Ferrite Bead	CTF1528	R 145	(B,46,115)	RS1/4SA102J
L 2202	(A,100,72) Ferrite Bead	CTF1528	R 151	(B,51,114)	RS1/10SR0R0J
L 2203	(A,91,72) Ferrite Bead	CTF1528	R 201	(B,79,110)	RS1/16SS683J
L 2204	(A,101,73) Ferrite Bead	CTF1528	R 202	(B,89,113)	RS1/16SS102J
L 2205	(A,102,75) Ferrite Bead	CTF1528	R 205	(B,82,119)	RS1/16SS0R0J

L 2206	(A,91,75) Ferrite Bead	CTF1528	R 207	(A,82,121)	RS1/16SS0R0J
L 2207	(A,100,76) Ferrite Bead	CTF1528	R 210	(A,105,126)	RS1/16SS0R0J
L 2208	(A,91,77) Ferrite Bead	CTF1528	R 213	(B,84,109)	RS1/16SS683J
L 2209	(A,100,78) Ferrite Bead	CTF1528	R 214	(B,80,119)	RS1/16SS152J
L 2210	(A,97,68) Ferrite Bead	CTF1528	R 215	(B,81,119)	RS1/16SS101J

L 2211	(A,107,82) Chip Ferrite Bead	BTX1047	R 217	(B,87,113)	RS1/16SS473J
X 601	(A,106,30) Resonator 3.932 16 MHz	CSS1772	R 218	(B,87,112)	RS1/16SS104J
X 1101	(B,132,64) Resonator 12.288 MHz	CSS1811	R 219	(B,85,113)	RS1/16SS103J
X 1501	(A,51,60) 9.216 MHz	CSS1863	R 223	(B,101,57)	RS1/10SR0R0J
P 1401	(B,21,103) Surge Absorber	IMSA-6803-01Y900	R 224	(B,82,121)	RS1/16SS473J

P 2201	(A,109,77) Poly Switch	FSMD075-24R	R 311	(B,159,40)	RS1/16SS222J
P 2202	(B,160,124) Poly Switch	FSMD075-24R	R 312	(B,157,40)	RS1/16SS222J
P 2203	(B,131,98) Poly Switch	FSMD075-24R	R 313	(B,157,34)	RS1/16SS473J
P 2206	(B,137,97) Poly Switch	FSMD075-24R	R 314	(B,171,86)	RS1/16SS6800D
⚠ P2207	(A,90,100) Fuse 3.5 A	CEK1343	R 315	(B,171,85)	RS1/16SS3901D

⚠ P2208	(A,103,89) Fuse 5.0 A	CEK1346			
---------	-----------------------	---------	--	--	--

1

2

3

4

5		6		7		8	
<u>Circuit Symbol and No.</u>		<u>Part No.</u>		<u>Circuit Symbol and No.</u>		<u>Part No.</u>	
R 316	(B,171,87)	RS1/16SS2702D		R 659	(B,70,28)	RS1/16SS104J	
R 318	(B,164,94)	RS1/4SA0R0J		R 660	(A,88,54)	RS1/16SS101J	
R 320	(B,160,87)	RS1/10SR0R0J		R 663	(A,99,53)	RS1/16SS0R0J	
R 323	(A,147,52)	RS1/10SR102J		R 665	(B,100,39)	RS1/16SS471J	A
R 324	(A,142,52)	RS1/10SR0R0J		R 670	(B,98,23)	RS1/16SS472J	
R 341	(A,147,47)	RS1/16SS471J		R 671	(A,92,50)	RS1/16SS681J	
R 342	(A,151,44)	RS1/16SS103J		R 673	(B,99,42)	RS1/16SS221J	
R 343	(A,148,44)	RS1/16SS682J		R 675	(B,98,21)	RS1/16SS471J	
R 346	(B,159,43)	RS1/16SS1303D		R 677	(A,103,45)	RS1/16SS0R0J	
R 347	(B,158,44)	RS1/16SS1002D		R 678	(B,80,43)	RS1/16SS121J	
R 354	(A,166,46)	RS1/10SR0R0J		R 679	(B,102,45)	RS1/16SS101J	
R 355	(B,159,57)	RS1/16SS0R0J		R 680	(B,99,44)	RS1/16SS101J	
R 358	(B,153,40)	RS1/10SR0R0J		R 682	(A,102,40)	RS1/16SS680J	
R 359	(B,156,42)	RS1/10SR0R0J		R 684	(B,95,14)	RS1/16SS102J	
R 361	(B,152,52)	RS1/10SR0R0J		R 685	(A,100,50)	RS1/16SS102J	B
R 362	(B,119,37)	RS1/10SR103J		R 686	(A,102,24)	RS1/16SS681J	
R 363	(B,118,34)	RS1/10SR331J		R 687	(A,103,24)	RS1/16SS0R0J	
R 364	(B,123,34)	RS1/16SS103J		R 688	(A,68,27)	RS1/16SS0R0J	
R 365	(B,123,36)	RS1/16SS103J		R 690	(A,101,22)	RS1/16SS0R0J	
R 366	(B,125,33)	RS1/16SS103J		R 691	(B,99,28)	RS1/16SS0R0J	
R 504	(B,27,32)	RS1/16SS102J		R 693	(B,114,15)	RS1/16SS102J	
R 518	(A,71,70)	RS1/8SQ0R0J		R 694	(B,99,33)	RS1/16SS104J	
R 604	(A,71,40)	RS1/16SS104J		R 695	(B,99,36)	RS1/16SS104J	
R 605	(B,81,43)	RS1/16SS121J		R 697	(A,102,39)	RS1/16SS471J	
R 607	(B,109,15)	RS1/16SS104J		R 698	(A,104,41)	RS1/16SS473J	
R 608	(B,99,34)	RS1/16SS104J		R 699	(A,74,49)	RS1/16SS102J	C
R 609	(B,99,35)	RS1/16SS104J		R 700	(A,68,50)	RS1/16SS472J	
R 610	(A,102,32)	RS1/16SS100J		R 701	(A,74,48)	RS1/16SS102J	
R 611	(B,96,28)	RS1/16SS104J		R 702	(A,62,41)	RS1/16SS473J	
R 612	(B,109,17)	RS1/16SS102J		R 703	(A,71,47)	RS1/16SS102J	
R 613	(A,101,34)	RS1/16SS473J		R 704	(A,69,47)	RS1/16SS473J	
R 614	(A,95,53)	RS1/16SS681J		R 705	(A,71,48)	RS1/16SS473J	
R 615	(A,93,50)	RS1/16SS681J		R 706	(B,93,52)	RS1/16SS473J	
R 616	(B,98,26)	RS1/16SS101J		R 707	(A,91,50)	RS1/16SS101J	
R 617	(B,98,25)	RS1/16SS101J		R 708	(A,90,52)	RS1/16SS681J	
R 618	(A,101,46)	RS1/16SS473J		R 709	(B,89,40)	RS1/16SS222J	D
R 620	(B,99,23)	RS1/16SS472J		R 712	(A,82,52)	RS1/16SS221J	
R 621	(B,99,21)	RS1/16SS471J		R 713	(A,79,53)	RS1/16SS182J	
R 622	(A,97,51)	RS1/16SS473J		R 714	(A,81,52)	RS1/16SS221J	
R 623	(A,96,51)	RS1/16SS473J		R 715	(A,79,52)	RS1/16SS182J	
R 624	(A,95,51)	RS1/16SS473J		R 716	(B,78,24)	RS1/16SS104J	
R 625	(B,100,27)	RS1/16SS182J		R 722	(B,79,44)	RS1/16SS121J	
R 627	(A,67,32)	RS1/16SS104J		R 725	(A,71,49)	RS1/16SS102J	
R 630	(B,90,19)	RS1/16SS102J		R 726	(A,71,44)	RS1/16SS471J	
R 632	(B,101,27)	RS1/16SS182J		R 727	(B,74,44)	RS1/16SS104J	
R 633	(B,99,40)	RS1/16SS0R0J		R 730	(B,81,24)	RS1/16SS104J	
R 634	(A,69,45)	RS1/16SS0R0J		R 733	(B,82,22)	RS1/16SS104J	E
R 637	(B,88,15)	RS1/16SS101J		R 738	(A,66,38)	RS1/16SS104J	
R 639	(B,100,46)	RS1/16SS182J		R 739	(A,66,40)	RS1/16SS473J	
R 640	(A,85,51)	RS1/16SS0R0J		R 740	(B,89,23)	RS1/16SS103J	
R 641	(A,89,54)	RS1/16SS101J		R 750	(B,84,24)	RS1/16SS0R0J	
R 645	(B,99,46)	RS1/16SS182J		R 751	(B,82,32)	RS1/16SS0R0J	
R 646	(B,75,20)	RS1/16SS104J		R 752	(B,71,35)	RS1/16SS223J	
R 647	(A,104,38)	RS1/16SS473J		R 754	(B,70,34)	RS1/16SS223J	
R 648	(A,70,33)	RS1/16SS104J		R 755	(B,108,15)	RS1/16SS0R0J	
R 651	(B,68,32)	RS1/16SS104J		R 757	(A,68,25)	RS1/16SS101J	
R 654	(A,71,24)	RS1/16SS101J		R 761	(A,72,22)	RS1/16SS101J	F
R 655	(A,70,24)	RS1/16SS101J		R 762	(A,72,24)	RS1/16SS101J	
R 656	(A,70,28)	RS1/16SS0R0J		R 763	(A,74,21)	RS1/16SS101J	
R 657	(B,95,41)	RS1/16SS103J		R 769	(B,97,42)	RS1/16SS104J	

1

2

3

4

Circuit Symbol and No.**Part No.****Circuit Symbol and No.****Part No.**

	R 770	(B,84,19)	RS1/16SS104J	R 1015	(B,145,71)	RS1/16SS0R0J
	R 775	(A,68,40)	RS1/16SS473J	R 1016	(B,148,102)	RS1/16SS0R0J
	R 776	(B,76,23)	RS1/16SS104J	R 1017	(B,142,71)	RS1/16SS473J
A	R 779	(B,87,56)	RS1/16SS472J	R 1018	(B,150,103)	RS1/16SS473J
	R 782	(B,90,33)	RS1/16SS1002D	R 1019	(B,148,71)	RS1/16SS473J
	R 787	(B,78,29)	RS1/16SS104J	R 1020	(B,147,103)	RS1/16SS473J
	R 789	(B,105,20)	RS1/16SS473J	R 1023	(B,139,75)	RS1/16SS473J
	R 790	(B,106,20)	RS1/16SS473J	R 1024	(B,154,99)	RS1/16SS473J
	R 792	(B,103,20)	RS1/16SS103J	R 1025	(B,150,75)	RS1/16SS473J
	R 796	(B,90,34)	RS1/16SS1001D	R 1026	(B,143,99)	RS1/16SS473J
	R 797	(B,92,26)	RS1/16SS102J	R 1027	(B,142,79)	RS1/16SS0R0J
	R 798	(A,104,60)	RS1/10SR0R0J	R 1028	(B,152,95)	RS1/16SS0R0J
	R 801	(A,70,63)	RS1/16SS0R0J	R 1040	(B,147,92)	RS1/16SS0R0J
	R 802	(A,72,63)	RS1/16SS0R0J	R 1044	(B,148,82)	RS1/16SS473J
B	R 803	(B,75,70)	RS1/16SS101J	R 1047	(B,143,87)	RS1/16SS473J
	R 804	(B,75,71)	RS1/16SS101J	R 1048	(B,142,87)	RS1/16SS473J
	R 805	(B,77,67)	RS1/16SS101J	R 1057	(B,153,92)	RS1/16SS0R0J
	R 806	(B,80,66)	RS1/16SS101J	R 1058	(B,148,83)	RS1/16SS473J
	R 811	(B,60,56)	RS1/16SS223J	R 1061	(B,149,77)	RS1/10SR0R0J
	R 812	(B,60,54)	RS1/16SS223J	R 1062	(B,140,77)	RS1/10SR0R0J
	R 813	(B,59,61)	RS1/16SS223J	R 1063	(B,143,96)	RS1/10SR0R0J
	R 814	(B,59,59)	RS1/16SS223J	R 1064	(B,153,96)	RS1/10SR0R0J
	R 817	(B,65,74)	RS1/16SS223J	R 1065	(B,150,68)	RS1/10SR0R0J
	R 818	(B,61,68)	RS1/16SS223J	R 1066	(B,140,67)	RS1/10SR0R0J
	R 823	(B,69,54)	RS1/16SS104J	R 1067	(B,147,65)	RS1/10SR0R0J
C	R 824	(B,77,68)	RS1/16SS75R0D	R 1068	(B,142,65)	RS1/10SR0R0J
	R 825	(B,79,67)	RS1/16SS75R0D	R 1101	(B,127,60)	RS1/16SS473J
	R 827	(B,80,58)	RS1/16SS2200D	R 1102	(B,133,62)	RS1/16SS222J
	R 829	(B,74,55)	RS1/16SS750J	R 1103	(B,123,52)	RS1/16SS473J
	R 831	(B,80,64)	RS1/16SS750J	R 1104	(B,137,58)	RS1/16SS220J
	R 844	(B,66,73)	RS1/16SS101J	R 1106	(B,135,47)	RS1/16SS470J
	R 845	(B,63,73)	RS1/16SS101J	R 1107	(B,140,55)	RS1/16SS101J
	R 846	(B,64,68)	RS1/16SS101J	R 1109	(B,132,43)	RS1/8SQ102J
	R 850	(B,61,62)	RS1/16SS101J	R 1110	(B,133,47)	RS1/8SQ102J
	R 851	(B,61,60)	RS1/16SS101J	R 1111	(B,131,47)	RS1/8SQ102J
D	R 852	(B,61,58)	RS1/16SS101J	R 1112	(B,138,58)	RS1/16SS220J
	R 853	(B,59,57)	RS1/16SS101J	R 1113	(B,140,58)	RS1/8SQ220J
	R 854	(B,62,54)	RS1/16SS101J	R 1115	(B,127,48)	RS1/16SS0R0J
	R 855	(B,62,53)	RS1/16SS101J	R 1119	(B,139,56)	RS1/16SS104J
	R 859	(B,79,56)	RS1/16SS75R0D	R 1120	(B,124,60)	RS1/8SQ222J
	R 901	(A,46,29)	RS1/16SS0R0J	R 1121	(B,122,60)	RS1/8SQ222J
	R 910	(B,54,31)	RS1/16SS104J	R 1122	(B,121,58)	RS1/16SS472J
	R 923	(A,46,28)	RS1/16SS0R0J	R 1123	(B,121,55)	RS1/16SS472J
	R 925	(B,59,13)	RS1/16SS273J	R 1124	(A,119,59)	RS1/8SQ0R0J
	R 926	(B,60,16)	RS1/16SS473J	R 1205	(A,132,47)	RS1/10SR470J
	R 927	(B,60,17)	RS1/16SS621J	R 1206	(A,132,48)	RS1/10SR470J
E	R 929	(B,58,24)	RS1/16SS104J	R 1207	(B,138,48)	RS1/10SR820J
	R 930	(B,55,15)	RS1/16SS104J	R 1208	(B,139,51)	RS1/10SR470J
	R 931	(B,53,18)	RS1/16SS0R0J	R 1209	(B,138,53)	RS1/10SR470J
	R 944	(B,29,23)	RS1/10SR0R0J	R 1210	(A,132,50)	RS1/10SR470J
	R 953	(B,35,10)	RS1/10SR0R0J	R 1212	(B,113,45)	RS1/8SQ821J
	R 954	(B,29,25)	RS1/10SR0R0J	R 1213	(B,117,46)	RS1/8SQ821J
	R 1007	(B,150,73)	RS1/16SS473J	R 1214	(B,110,57)	RS1/10SR821J
	R 1008	(B,149,73)	RS1/16SS473J	R 1215	(B,111,54)	RS1/10SR821J
	R 1009	(B,140,73)	RS1/16SS473J	R 1217	(B,113,65)	RS1/10SR821J
	R 1010	(B,139,73)	RS1/16SS473J	R 1218	(A,121,49)	RS1/16SS0R0J
F	R 1011	(B,143,100)	RS1/16SS473J	R 1219	(A,121,48)	RS1/16SS0R0J
	R 1012	(B,144,100)	RS1/16SS473J	R 1220	(B,112,50)	RS1/16SS0R0J
	R 1013	(B,153,101)	RS1/16SS473J	R 1221	(B,116,54)	RS1/16SS0R0J
	R 1014	(B,154,100)	RS1/16SS473J	R 1222	(B,113,60)	RS1/16SS0R0J

1

2

3

4

	1	2	3	4
	<u>Circuit Symbol and No.</u>	<u>Part No.</u>	<u>Circuit Symbol and No.</u>	<u>Part No.</u>
	C 327 (A,146,45)	CKSSYB104K16	C 836 (A,69,61)	CKSQYB104K25
A	C 328 (A,148,47) 0.1 uF	CCG1266	C 837 (A,74,61)	CKSQYB104K25
	C 329 (A,151,45)	CKSSYB102K50	C 838 (A,69,58) 10 uF	CCG1192
	C 335 (B,160,42)	CCSSCH101J50	C 839 (A,74,59) 10 uF	CCG1192
	C 336 (B,167,45) 10 uF	CCG1236	C 840 (B,75,68)	CKSSYB104K10
	C 337 (B,163,53) 10 uF	CCG1236	C 841 (B,70,70)	CKSRYB105K10
	C 339 (B,167,47) 10 uF	CCG1236	C 842 (B,72,70)	CKSRYB105K10
	C 342 (B,152,42)	CKSSYB104K16	C 843 (B,73,70)	CKSRYB105K10
	C 343 (B,151,50)	CKSRYB104K50	C 901 (A,43,27)	CKSRYB105K10
	C 344 (B,144,60)	CKSRYB105K10	C 902 (B,40,26)	CKSRYB105K10
	C 345 (B,148,55)	CKSRYB105K10	C 903 (B,37,27)	CKSRYB105K10
	C 347 (B,123,35)	CKSSYB104K10	C 904 (B,40,28)	CKSRYB105K10
	C 348 (B,150,38) 47 uF	CCG1251	C 905 (B,37,29)	CKSRYB105K10
B	C 349 (A,148,39)	XCEVW101M16	C 906 (B,40,30)	CKSRYB105K10
	C 510 (B,39,50)	CKSRYB105K10	C 907 (B,37,30)	CKSRYB105K10
	C 511 (B,47,50)	CKSRYB105K10	C 908 (A,45,27)	CKSSYB104K10
	C 602 (B,112,21)	CKSRYB105K10	C 909 (B,44,21)	CKSRYB105K10
	C 603 (A,103,30)	CCSRCH220J50	C 910 (B,44,18)	CKSRYB105K10
	C 604 (A,102,30)	CCSSCH220J50	C 911 (B,45,21)	CKSRYB105K10
	C 605 (A,103,44)	CKSSYB104K10	C 915 (A,52,32) 10 uF	CCG1192
	C 606 (A,101,24)	CKSSYB104K10	C 916 (B,53,31)	CKSSYB104K10
	C 607 (B,99,29)	CKSSYB104K10	C 917 (A,51,30)	CKSSYB104K10
	C 608 (B,95,31) 4.7 uF	CCG1331	C 918 (A,49,27)	CKSQYB104K25
	C 611 (B,83,25)	CKSSYB104K10	C 919 (A,49,30)	CKSQYB104K25
C	C 612 (A,85,50)	CKSSYB104K10	C 920 (A,47,27) 10 uF	CCG1192
	C 613 (A,72,28)	CKSSYB104K10	C 921 (A,47,30) 10 uF	CCG1192
	C 615 (A,101,52)	CKSSYB104K10	C 922 (B,60,15)	CCSSCH100D50
	C 616 (A,101,54) 10 uF	CCG1192	C 923 (B,54,17)	CKSSYB104K16
	C 618 (B,100,40)	CCSSCH101J50	C 924 (B,57,25) 2.2 uF	CCG1218
	C 620 (A,66,41)	CKSSYB104K10	C 926 (B,56,13) 10 uF	CCG1192
	C 625 (B,114,13)	CKSSYB102K50	C 927 (B,51,18)	CKSRYB105K10
	C 801 (B,77,57)	CKSSYB104K10	C 928 (B,52,21)	CKSRYB105K10
	C 802 (B,77,55)	CKSSYB104K10	C 939 (B,48,21)	CKSRYB105K10
	C 803 (A,68,67)	CKSRYB105K10	C 940 (B,49,18)	CKSRYB105K10
	C 804 (B,66,70)	CKSRYB105K10	C 941 (B,50,21)	CKSRYB105K10
D	C 805 (B,68,70)	CKSRYB105K10	C 1003 (B,148,67)	CKSQYB105K16
	C 806 (B,69,70)	CKSRYB105K10	C 1004 (B,146,67)	CKSQYB105K16
	C 810 (A,68,65)	CKSSYB104K10	C 1005 (B,144,67)	CKSQYB105K16
	C 811 (B,66,67)	CKSRYB105K10	C 1006 (B,142,67)	CKSQYB105K16
	C 812 (B,76,67)	CKSSYB104K10	C 1007 (B,145,106)	CKSQYB105K16
	C 813 (B,63,71)	CKSRYB105K10	C 1008 (B,147,106)	CKSQYB105K16
	C 814 (B,77,66)	CKSSYB104K10	C 1009 (B,150,106)	CKSQYB105K16
	C 815 (B,64,70)	CKSRYB105K10	C 1010 (B,152,106)	CKSQYB105K16
	C 816 (B,78,65)	CKSSYB104K10	C 1011 (B,142,72)	CCSSCH330J50
	C 818 (B,77,64)	CKSSYB104K10	C 1012 (B,150,102)	CCSSCH330J50
E	C 820 (B,77,63)	CKSSYB104K10	C 1013 (B,148,72)	CCSSCH330J50
	C 822 (B,78,62)	CKSSYB104K10	C 1014 (B,147,102)	CCSSCH330J50
	C 823 (B,63,62)	CKSRYB105K10	C 1015 (B,140,75)	CCSSCH330J50
	C 824 (B,78,61)	CKSSYB104K10	C 1016 (B,153,99)	CCSSCH330J50
	C 825 (B,63,61)	CKSRYB105K10	C 1017 (B,149,75)	CCSSCH330J50
	C 826 (B,78,59)	CKSSYB104K10	C 1018 (B,144,99)	CCSSCH330J50
	C 827 (B,63,59)	CKSRYB105K10	C 1019 (B,142,78)	CKSRYB105K16
	C 828 (B,78,58)	CKSSYB104K10	C 1020 (B,151,96)	CKSRYB105K16
	C 829 (B,64,58)	CKSRYB105K10	C 1021 (B,142,77)	CKSSYB104K16
	C 830 (B,64,56)	CKSRYB105K10	C 1022 (B,152,97)	CKSSYB104K16
	C 831 (B,64,55)	CKSRYB105K10	C 1028 (B,148,90)	CKSSYB104K16
F	C 832 (B,75,56)	CKSSYB104K10	C 1039 (B,152,90) 10 uF	CCG1234
	C 833 (A,73,57) 10 uF	CCG1192	C 1040 (B,146,80) 10 uF	CCG1192
	C 834 (B,71,53)	CKSSYB104K10	C 1041 (B,154,91) 10 uF	CCG1192
	C 835 (A,72,56)	CKSSYB104K10	C 1042 (B,154,94)	CKSRYB105K10

5		6		7		8	
<u>Circuit Symbol and No.</u>		<u>Part No.</u>		<u>Circuit Symbol and No.</u>		<u>Part No.</u>	
C 1043	(B,146,89)	CKSRYB105K10		C 1501	(A,51,53)	CKSSYB104K16	
C 1101	(B,131,62)	CCSSCH120J50		C 1502	(A,51,56)	CKSSYB104K16	
C 1102	(B,134,62)	CCSSCH120J50		C 1503	(A,52,55) 10 uF	CCG1192	A
C 1103	(B,126,50)	CKSRYB105K16		C 1504	(A,42,55) 10 uF	CCG1192	
C 1104	(B,126,59)	CKSSYB123K16		C 1505	(A,45,67)	CKSSYB104K16	
C 1105	(A,129,58)	CKSSYB104K16		C 1507	(A,43,67)	CKSSYB224K6R3	
C 1106	(A,126,59)	CKSQYB225K10		C 1508	(A,43,68)	CKSSYB102K50	
C 1107	(B,127,50)	CKSRYB105K16		C 1509	(A,39,67)	CKSSYB104K16	
C 1108	(A,135,56)	CKSQYB104K25		C 1511	(A,43,78)	CCSSCH220J50	
C 1109	(A,132,53)	CKSQYB104K25		C 1512	(A,38,78)	CCSSCH820J50	
C 1110	(A,130,54)	CKSQYB104K25		C 1515	(A,41,59)	CKSSYB104K16	
C 1111	(B,138,56)	CKSSYB103K16		C 1518	(A,34,69)	CCSSCH102J50	
C 1112	(A,127,56)	CKSQYB104K25		C 1519	(B,25,101)	CCSSCH471J50	
C 1113	(A,133,58)	CKSQYB104K25		C 1520	(B,27,96)	CCSSCK2R0C50	
C 1114	(B,123,57) 10 uF	CCG1192		C 1521	(B,28,96)	CCSSCK1R0C50	B
C 1115	(A,125,56) 10 uF	CCG1192		C 1522	(A,29,70)	CCSSCH120J50	
C 1116	(A,138,53) 10 uF	CCG1192		C 1523	(A,37,64)	CKSSYB152K50	
C 1117	(B,123,56) 10 uF	CCG1192		C 1531	(A,30,70)	CCSSCK1R0C50	
C 1118	(B,124,64) 10 uF	CCG1192		C 1533	(A,38,82)	CCSSCK100D50	
C 1119	(B,122,64) 10 uF	CCG1192		C 1814	(B,158,8)	CCSSCH270J50	
C 1120	(A,136,53)	CKSQYB104K25		C 1815	(A,145,12)	CCSSCH270J50	
C 1123	(B,135,60)	CCSSCH121J50		C 1824	(B,88,83)	CKSQYB104K25	
C 1125	(B,136,61)	CCSSCH121J50		C 2201	(A,73,88) 10 uF	CCG1192	
C 1126	(B,137,62)	CCSSCH121J50		C 2202	(A,82,84) 10 uF	CCG1192	
C 1201	(A,119,46)	CKSSYB104K16		C 2203	(A,77,88) 10 uF	CCG1192	C
C 1202	(A,121,45) 10 uF	CCG1192		C 2204	(A,82,88) 10 uF	CCG1192	
C 1205	(B,112,49) 10 uF	CCG1192		C 2205	(B,160,127)	CCSSCH101J50	
C 1207	(B,137,49)	CCSSCH470J50		C 2208	(B,23,110)	CKSRYB104K50	
C 1208	(B,142,52)	CCSSCH121J50		C 2209	(B,26,110)	CKSRYB104K50	
C 1209	(B,141,53)	CCSSCH121J50		C 2210	(B,125,94) 10 uF	CCG1192	
C 1210	(A,118,56)	CKSSYB104K16		C 2211	(B,132,92) 10 uF	CCG1192	
C 1211	(A,119,56) 10 uF	CCG1192		C 2214	(A,27,110)	CKSSYB102K50	
C 1216	(A,116,66)	CKSSYB104K16		C 2217	(A,106,76)	CKSRYB104K50	
C 1217	(A,118,66) 10 uF	CCG1192		C 2220	(B,166,102) 4.7 uF	CCG1201	
C 1222	(B,116,46)	CKSRYB182K50		C 2221	(B,171,104) 4.7 uF	CCG1201	
C 1223	(B,118,49)	CKSRYB182K50		C 2225	(B,21,113)	CCSSCH270J50	D
C 1224	(B,106,57)	CKSRYB182K50		C 2226	(B,27,132)	CCSSCH270J50	
C 1225	(B,110,54)	CKSRYB182K50		C 2227	(B,109,78)	CCSSCH270J50	
C 1227	(B,113,67)	CKSRYB182K50		C 2228	(A,104,74)	CCSSCH270J50	
C 1229	(A,111,49)	CKSSYB104K16					
C 1230	(A,108,56) 10 uF	CCG1192					
C 1231	(A,109,59)	CKSSYB104K16					
C 1232	(A,106,65) 10 uF	CCG1192					
C 1233	(A,110,69)	CKSSYB104K16					
C 1301	(B,82,89) 2.2 uF	CCG1218					
C 1302	(B,82,88) 2.2 uF	CCG1218					
C 1303	(B,90,81) 10 uF	CCG1192		IC 7003	(A,68,118) IC	NJM2387ADL3	
C 1304	(B,84,81) 10 uF	CCG1192		IC 7004	(A,12,33) Regulator IC	MM3479A18P	
C 1305	(B,82,93)	CKSRYB105K10		IC 7008	(A,118,47) Regulator IC	MM3479A12P	
C 1306	(B,82,91)	CKSRYB105K10		IC 7009	(B,140,74) Regulator IC	MM3479A33P	
C 1307	(B,69,93)	CKSRYB105K10		IC 7010	(A,82,44) Regulator IC	MM3411A15N	
C 1308	(B,69,91)	CKSRYB105K10		IC 7011	(B,26,78) IC	AN33012UA	
C 1314	(A,70,99)	XCEVW100M16		IC 7101	(B,52,70) DC/DC Conv IC	LTC3858EGN-1	
C 1315	(B,69,90) 2.2 uF	CCG1218		IC 7202	(A,97,106) DC/DC Conv IC	AN33014UA	
C 1317	(A,70,92)	XCEVW100M16		IC 7203	(A,91,86) DC/DC Conv IC	AN33014UA	
C 1319	(B,86,81)	CKSQYB104K25		IC 7601	(B,162,28) Conv IC	WM8761BGED	
C 1321	(B,82,81)	CKSQYB104K25		IC 7602	(B,141,24) Conv IC	WM8761BGED	F
C 1322	(A,81,76)	XCEVW470M16		IC 7603	(B,138,53) Conv IC	WM8761BGED	
C 1323	(A,71,76)	CEVW470M25		IC 7701	(B,42,37) Dula OP-AMP	NJM4565V	
C 1447	(B,28,102)	CKSSYB103K16		IC 7702	(A,13,18) Conv IC	WM8761BGED	

B
Unit Number : CWN8194
Unit Name : IF Unit

MISCELLANEOUS

	1	2	3	4
	<u>Circuit Symbol and No.</u>	<u>Part No.</u>	<u>Circuit Symbol and No.</u>	<u>Part No.</u>
	IC 7703 (B,143,64) AD Convrtcr IC	AK5357VT	D 8012 (B,115,100) Diode	EZAEG2A50AX
A	IC 7704 (A,22,34) IC	TC4066BFT	D 8013 (A,113,75) Diode	DA2J101
	IC 7705 (A,7,105) OP AMP IC	NJU7043V	D 8014 (B,122,101) Diode	EZAEG2A50AX
	IC 7706 (A,45,40) Interface IC	ML7247-001TBZ0	D 8015 (A,123,77) Diode	DAN202UM
	IC 7709 (B,42,31) OP AMP IC	NJU7043V	D 8016 (B,120,101) Diode	EZAEG2A50AX
	IC 7901 (B,63,42) V AMP IC	BH7673G	D 8506 (B,143,99) Diode	EZAEG2A50AX
	IC 7902 (B,67,42) V AMP IC	BH7673G	D 8507 (B,141,104) Diode	EZAEG2A50AX
	IC 7903 (A,65,43) V AMP IC	BH7673G	D 8508 (B,143,101) Diode	EZAEG2A50AX
	IC 7904 (A,62,43) V AMP IC	BH7673G	D 8509 (B,141,102) Diode	EZAEG2A50AX
	IC 7905 (A,81,60) V PRO SYS LSI	ML86V7675TBZA3A	L 7003 (A,30,61)	CTH1544
	IC 7906 (A,94,58) IC	TC74LCX541FK	L 7101 (A,50,59) Inductor	CTH1482
	IC 7907 (A,94,65) IC	TC7SZ125FU	L 7102 (A,50,80) Choke Coil 3.6 uH	CTH1479
	IC 7909 (A,90,51) IC	TC7SZ125FU	L 7103 (B,34,75) Inductor	CTF1738
B	IC 8001 (B,114,63) Interface IC	MN864779KT	L 7201 (B,109,109) Inductor	CTH1524
	IC 8003 (A,125,65) Conv IC	WM8761BGED	L 7202 (B,103,88) Inductor	CTH1524
	IC 8103 (A,146,76) IC	NJM2115V	L 7203 (B,102,112) Inductor	CTF1793
	IC 8502 (B,140,91) Interface IC	MAX14644ETA	L 7204 (B,96,91) Inductor	CTF1793
	Q 7002 (A,72,108) Transistor	LTC014EEB	L 7301 (B,83,43) Chip Ferrite Bead	BTX1046
	Q 7011 (A,107,46) IC	RZQ050P01	L 7302 (B,88,44) Chip Ferrite Beads	VTL1183
	Q 7012 (A,113,47) Transistor	LSCR523UB	L 7305 (B,148,29) Inductor	CTF1795
	Q 7013 (A,21,66) Power MOS FET	SFT1342	L 7306 (B,151,29) Inductor	CTF1795
	Q 7014 (A,12,73) Chip Transistor	2SB1689	L 7307 (B,152,30) Inductor	CTF1795
	Q 7015 (A,8,77) Transistor	LSCR523UB	L 7308 (B,150,30) Inductor	CTF1795
C	Q 7016 (A,63,84) IC	RZQ050P01	L 7309 (B,138,43) Inductor	CTF1795
	Q 7017 (A,67,87) Transistor	LSCR523UB	L 7310 (B,95,43) Inductor	CTF1795
	Q 7101 (A,42,78) FET	FK8V03040	L 7311 (B,95,44) Inductor	CTF1795
	Q 7102 (A,41,62) FET	FK8V03040	L 7312 (B,96,47) Inductor	CTF1795
	Q 7103 (A,38,78) FET	FK8V03050	L 7313 (B,96,43) Inductor	CTF1795
	Q 7104 (A,38,62) FET	FK8V03050	L 7314 (B,97,45) Inductor	CTF1795
	Q 7201 (A,139,70) Transistor	LTC014EEB	L 7315 (B,97,47) Inductor	CTF1795
	Q 7202 (A,144,67) Transistor	LSAR523UB	L 7502 (A,152,49) Inductor	CTF1736
	Q 7203 (A,141,72) Transistor	LTC014EEB	L 7601 (B,166,20) Inductor	CTF1786
	Q 7204 (A,146,71) Transistor	LSAR523UB	L 7602 (B,136,19) Inductor	CTF1786
	Q 7703 (B,27,35) Transistor	LSCR523UB	L 7603 (B,147,48) Inductor	CTF1786
	Q 7704 (A,29,30) Transistor	LTC044EEB	L 7702 (A,20,15) Inductor	CTF1787
D	Q 7705 (A,28,33) Transistor	LTC044EEB	L 7704 (B,152,64) Inductor	CTF1558
	Q 7901 (B,63,48) Transistor	LSCR523UB	L 7705 (B,149,60) Inductor	CTF1558
	Q 7902 (B,67,48) Transistor	LSCR523UB	L 7706 (B,46,41) Ferrite Bead	CTF1528
	Q 7903 (A,65,49) Transistor	LSCR523UB	L 7707 (B,28,25) Chip Ferrite Bead	BTX1047
	Q 7904 (A,61,50) Transistor	LSCR523UB	L 7708 (B,21,28) Resistor	RS1/10SR0R0J
	Q 7905 (B,60,52) Transistor	LSCR523UB	L 7709 (A,10,10) Inductor	CTF1786
	Q 8001 (A,119,91) Transistor	LTC023EEB	L 7902 (A,69,64) Chip Ferrite Bead	BTX1047
	Q 8002 (A,117,95) Transistor	LSAR523UB	L 7903 (A,80,73) Chip Ferrite Bead	BTX1047
	Q 8003 (A,117,72) Chip Transistor	RN4982	L 7904 (A,86,46) Chip Ferrite Bead	BTX1047
	Q 8101 (A,147,84) Transistor	2SB1132	L 7905 (A,78,40) Chip Ferrite Bead	BTX1047
E	Q 8501 (A,139,96) Transistor	LSAR523UB	L 7906 (A,98,68) Chip Ferrite Bead	BTX1047
	D 7006 (A,27,70) Diode	RB080L-30	L 7907 (A,96,62) Chip Ferrite Bead	BTX1047
	D 7101 (B,45,66) DIODE	DB2J41100	L 7908 (A,94,53) Chip Ferrite Bead	BTX1047
	D 7102 (B,45,64) DIODE	DB2J41100	L 7909 (A,97,65) Chip Beads	VTL1126
	D 7201 (B,98,111) Diode	RB060M-30	L 7915 (A,85,51) Inductor	CTF1787
	D 7202 (B,92,90) Diode	RB060M-30	L 7916 (A,82,51) Inductor	CTF1787
	D 8001 (B,131,99) Diode	EZAEG2A50AX	L 7917 (A,91,64) Inductor	CTF1787
	D 8002 (B,130,99) Diode	EZAEG2A50AX	L 7918 (A,91,61) Inductor	CTF1787
	D 8003 (B,129,98) Diode	EZAEG2A50AX	L 7919 (A,81,51) Inductor	CTF1787
	D 8004 (B,127,98) Diode	EZAEG2A50AX	L 7920 (A,79,52) Inductor	CTF1787
	D 8005 (B,127,99) Diode	EZAEG2A50AX	L 7921 (A,77,50) Inductor	CTF1787
F	D 8006 (B,125,99) Diode	EZAEG2A50AX	L 7922 (A,81,71) Inductor	CTF1787
	D 8007 (B,125,98) Diode	EZAEG2A50AX	L 7923 (A,83,70) Inductor	CTF1787
	D 8008 (B,123,98) Diode	EZAEG2A50AX	L 8001 (B,130,96) Noise Filter	CTF1834
	D 8011 (B,116,98) Diode	EZAEG2A50AX	L 8002 (B,124,96) Noise Filter	CTF1834

5		6		7		8	
<u>Circuit Symbol and No.</u>		<u>Part No.</u>		<u>Circuit Symbol and No.</u>		<u>Part No.</u>	
L 8003	(B,126,96) Noise Filter	CTF1834		R 7068	(B,29,71)	RS1/16SS2701D	
L 8004	(B,128,96) Noise Filter	CTF1834		R 7071	(A,19,77) 11 mohm	CCN1341	
L 8005	(B,110,72) Ferrite Bead	CTF1528		R 7077	(B,30,71)	RS1/16SS1103D	A
L 8006	(B,120,66) Chip Beads	VTL1127		R 7078	(B,26,69)	RS1/16SS562J	
L 8007	(B,120,65) Chip Beads	VTL1127		R 7079	(B,28,67)	RS1/16SS0R0J	
L 8008	(B,120,64) Chip Beads	VTL1127		R 7082	(B,30,69)	RS1/16SS0R0J	
L 8009	(B,120,62) Chip Beads	VTL1126		R 7086	(A,10,73)	RS1/16SS102J	
L 8011	(A,123,73) Inductor	CTF1786		R 7087	(A,8,74)	RS1/16SS102J	
L 8012	(A,109,78) Inductor	CTF1795		R 7088	(A,10,80)	RS1/16SS103J	
L 8101	(A,157,82) Inductor	LCYC1R0K2125		R 7091	(B,24,72)	RS1/16SS0R0J	
L 8102	(A,152,84) Chip Ferrite Bead	OTL8019		R 7092	(A,70,85)	RS1/16SS683J	
L 8103	(B,152,75) Inductor	CTF1547		R 7093	(A,69,87)	RS1/16SS683J	
L 8104	(B,152,76) Inductor	CTF1547		R 7094	(A,63,86)	RS1/10SR103J	
L 8201	(B,55,17) Ferrite Bead	CTF1528		R 7098	(A,8,80)	RS1/16SS103J	B
L 8202	(B,54,17) Ferrite Bead	CTF1528		R 7101	(B,49,54)	RS1/16SS0R0J	
L 8203	(B,53,18) Ferrite Bead	CTF1528		R 7102	(B,53,54)	RS1/16SS0R0J	
L 8204	(B,133,14) Ferrite Bead	CTF1528		R 7103	(B,57,76)	RS1/16SS0R0J	
L 8205	(B,69,21) Ferrite Bead	CTF1528		R 7104	(B,57,77)	RS1/16SS1502D	
L 8401	(B,104,29) Inductor	CTF1731		R 7105	(B,59,77)	RS1/16SS4303D	
L 8402	(B,103,29) Inductor	CTF1731		R 7106	(B,59,75)	RS1/16SS8202D	
L 8403	(B,101,29) Inductor	CTF1731		R 7107	(B,56,54)	RS1/16SS104J	
L 8404	(B,99,29) Inductor	CTF1731		R 7109	(B,57,65)	RS1/16SS0R0J	
L 8405	(B,97,29) Inductor	CTF1731		R 7110	(B,57,63)	RS1/16SS1802D	
L 8501	(B,140,96) Choke Coil 90 ohm	CTH1319		R 7111	(B,59,64)	RS1/16SS4703D	
L 8502	(B,137,96) Choke Coil 90 ohm	CTH1319		R 7112	(B,59,66)	RS1/16SS1503D	C
X 7701	(A,39,49) Resonator 12.288 MHz	CSS1811		R 7113	(B,61,75)	RS1/16SS562J	
X 7901	(A,87,73) Crystal Resonator 32.000 MHz	CSS1818		R 7114	(B,56,56)	RS1/16SS0R0J	
X 8001	(B,104,72) Resonator 27.000 MHz	CSS1768		R 7115	(B,59,72)	RS1/10SR0R0J	
CN7001	(A,51,113) Connector	CKS4977		R 7116	(B,61,66)	RS1/16SS392J	
CN7301	(B,99,37) Connector	CKS6547		R 7117	(B,59,73)	RS1/10SR0R0J	
CN7302	(B,136,37) Connector	CKS6549		R 7118	(B,59,69)	RS1/10SR0R0J	
CN7701	(B,20,20) Connector	CKS6346		R 7119	(B,59,67)	RS1/10SR0R0J	
CN8101	(B,161,80) Connector	CKS6599		R 7120	(B,56,57)	RS1/10SR334J	
CN8201	(B,65,10) Connector	CKS6646		R 7121	(B,58,57)	RS1/10SR274J	
CN8202	(B,83,116) Plug	CKM1599		R 7122	(B,58,70)	RS1/16SS104J	
CN8203	(B,147,9) Connector	CKS6646		R 7123	(B,45,75)	RS1/10SR120J	D
CN8401	(B,109,14) Connector	CKS6646		R 7124	(B,46,63)	RS1/10SR100J	
JA7502	(A,155,31) Connector	CKS6438		R 7125	(B,44,73)	RS1/10SR2R2J	
JA8001	(B,125,109) Connector	CKS6560		R 7128	(A,58,78) 15 mohm	CCN1328	
JA8102	(B,164,123) Connector	CKS5702		R 7129	(A,60,78) 15 mohm	CCN1328	
JA8501	(B,147,115) Connector	DKN1417		R 7130	(A,60,62) 12 mohm	CCN1321	
JA8503	(B,10,126) Jack BT Module	CKN1040 CWX4529		R 7131	(A,58,62) 12 mohm	CCN1321	
				R 7132	(A,61,71)	RS1/4SA0R0J	
				R 7133	(A,61,69)	RS1/4SA0R0J	
				R 7134	(B,56,63)	RS1/16SS0R0J	
				R 7135	(B,49,64)	RS1/16SS6R8J	
				R 7136	(B,48,75)	RS1/16SS6R8J	E
R 7008	(A,69,109)	RS1/16SS473J		R 7202	(A,142,68)	RS1/16SS222J	
R 7011	(A,70,110)	RS1/16SS2401D		R 7203	(A,141,70)	RS1/16SS222J	
R 7017	(A,69,111)	RS1/16SS8201D		R 7206	(A,144,70)	RS1/16SS222J	
R 7018	(A,71,110)	RS1/16SS2201D		R 7207	(A,143,72)	RS1/16SS222J	
R 7029	(A,16,31)	RS1/16SS102J					
R 7032	(A,13,37)	RS1/8SQ0R0J		R 7211	(B,86,91)	RS1/8SQ0R0J	
R 7035	(B,136,70)	RS1/16SS102J		R 7212	(B,91,111)	RS1/8SQ0R0J	
R 7041	(A,113,43)	RS1/16SS683J		R 7213	(A,102,98)	RS1/16SS102J	
R 7049	(A,107,48)	RS1/10SR103J		R 7214	(A,94,78)	RS1/16SS102J	
R 7050	(A,111,46)	RS1/16SS683J		R 7215	(A,102,97)	RS1/16SS102J	
R 7056	(A,100,46)	RS1/8SQ0R0J		R 7216	(A,94,77)	RS1/16SS102J	F
R 7057	(A,102,44)	RS1/10SR331J		R 7217	(A,102,96)	RS1/16SS102J	
R 7066	(B,29,68)	RS1/16SS2702D		R 7218	(A,93,100)	RS1/16SS152J	
R 7067	(B,29,69)	RS1/16SS1101D		R 7219	(A,94,76)	RS1/16SS102J	

RESISTORS

1

2

3

4

Circuit Symbol and No.**Part No.****Circuit Symbol and No.****Part No.**

R 7220	(A,87,80)	RS1/16SS152J	R 7390	(B,85,30)	RS1/16SS0R0J
R 7221	(A,102,95)	RS1/16SS102J	R 7391	(B,108,31)	RS1/16SS0R0J
R 7222	(A,94,75)	RS1/16SS102J	R 7392	(B,87,30)	RS1/16SS101J
R 7224	(A,93,101)	RS1/16SS3002D	R 7393	(B,94,44)	RS1/16SS0R0J
R 7225	(A,91,101)	RS1/16SS2701D	R 7394	(B,86,29)	RS1/16SS0R0J
R 7227	(A,89,104)	RS1/16SS8201D	R 7397	(B,128,31)	RS1/16SS0R0J
R 7229	(A,87,81)	RS1/16SS3002D	R 7398	(B,92,31)	RS1/16SS0R0J
R 7230	(A,85,81)	RS1/16SS2701D	R 7399	(B,129,31)	RS1/16SS0R0J
R 7232	(A,83,83)	RS1/16SS8201D	R 7400	(B,91,30)	RS1/16SS0R0J
R 7233	(A,94,112)	RS1/16SS0R0J	R 7401	(B,90,30)	RS1/16SS0R0J
R 7234	(A,88,92)	RS1/16SS0R0J	R 7403	(B,92,43)	RS1/16SS0R0J
R 7235	(A,90,102)	RS1/16SS752J	R 7405	(B,92,45)	RS1/16SS0R0J
R 7236	(A,84,82)	RS1/16SS103J	R 7407	(B,130,31)	RS1/16SS0R0J
R 7237	(B,107,102) 0.047 ohm	CCN1167	R 7408	(B,93,43)	RS1/16SS0R0J
R 7238	(B,101,82) 0.047 ohm	CCN1167	R 7419	(B,140,46)	RS1/16SS0R0J
R 7245	(A,104,104)	RS1/16SS1001D	R 7420	(B,140,43)	RS1/16SS0R0J
R 7246	(A,98,83)	RS1/16SS0R0J	R 7433	(B,145,44)	RS1/16SS0R0J
R 7247	(A,103,100)	RS1/16SS224J	R 7435	(B,146,45)	RS1/16SS0R0J
R 7248	(A,97,80)	RS1/16SS224J	R 7437	(B,148,45)	RS1/16SS0R0J
R 7249	(A,105,104)	RS1/16SS1202D	R 7439	(B,118,31)	RS1/16SS103J
R 7250	(A,99,83)	RS1/16SS2202D	R 7440	(B,151,43)	RS1/16SS0R0J
R 7251	(A,104,102)	RS1/16SS104J	R 7441	(B,151,42)	RS1/16SS0R0J
R 7252	(A,98,82)	RS1/16SS104J	R 7444	(B,125,30)	RS1/16SS0R0J
R 7253	(A,111,103)	RS1/16SS0R0J	R 7445	(B,124,29)	RS1/16SS0R0J
R 7254	(A,105,82)	RS1/16SS0R0J	R 7447	(B,122,29)	RS1/16SS0R0J
R 7302	(A,127,43)	RS1/10SR0R0J	R 7448	(B,121,31)	RS1/16SS0R0J
R 7303	(A,124,41)	RS1/10SR0R0J	R 7449	(B,120,29)	RS1/16SS0R0J
R 7306	(B,126,43)	RS1/16SS0R0J	R 7456	(B,82,29)	RS1/16SS103J
R 7307	(B,91,48)	RS1/10SR0R0J	R 7457	(B,112,29)	RS1/16SS103J
R 7308	(B,126,45)	RS1/16SS0R0J	R 7458	(B,113,29)	RS1/16SS103J
R 7309	(B,91,45)	RS1/16SS0R0J	R 7459	(B,114,30)	RS1/16SS103J
R 7310	(B,127,43)	RS1/16SS0R0J	R 7460	(B,115,31)	RS1/16SS103J
R 7311	(B,127,45)	RS1/16SS0R0J	R 7461	(B,117,30)	RS1/16SS103J
R 7315	(B,128,45)	RS1/16SS0R0J	R 7463	(B,150,44)	RS1/16SS0R0J
R 7317	(B,129,43)	RS1/16SS0R0J	R 7470	(B,111,30)	RS1/16SS0R0J
R 7323	(B,130,45)	RS1/16SS0R0J	R 7484	(B,128,24)	RS1/16SS104J
R 7325	(B,130,43)	RS1/16SS0R0J	R 7503	(B,125,27)	RS1/16SS103J
R 7327	(B,131,47)	RS1/16SS0R0J	R 7504	(B,124,26)	RS1/16SS103J
R 7329	(B,131,43)	RS1/16SS0R0J	R 7505	(B,122,26)	RS1/16SS103J
R 7330	(B,132,44)	RS1/16SS0R0J	R 7506	(B,120,26)	RS1/16SS103J
R 7331	(B,134,43)	RS1/16SS0R0J	R 7507	(B,119,27)	RS1/16SS103J
R 7332	(B,132,46)	RS1/16SS0R0J	R 7525	(B,164,45)	RS1/16SS680J
R 7333	(B,133,43)	RS1/16SS0R0J	R 7526	(B,159,45)	RS1/16SS680J
R 7335	(B,132,31)	RS1/16SS0R0J	R 7527	(A,147,47)	RS1/16SS680J
R 7338	(B,131,28)	RS1/16SS0R0J	R 7529	(B,88,13)	RS1/16SS0R0J
R 7340	(B,131,25)	RS1/16SS0R0J	R 7534	(B,161,45)	RS1/16SS680J
R 7341	(B,136,44)	RS1/16SS0R0J	R 7535	(A,144,48)	RS1/16SS680J
R 7342	(B,132,26)	RS1/16SS0R0J	R 7537	(B,162,46)	RS1/16SS103J
R 7343	(B,137,43)	RS1/16SS0R0J	R 7538	(B,160,46)	RS1/16SS103J
R 7344	(B,133,30)	RS1/16SS0R0J	R 7539	(B,157,46)	RS1/16SS103J
R 7345	(B,138,45)	RS1/16SS0R0J	R 7540	(A,145,49)	RS1/16SS103J
R 7350	(B,130,26)	RS1/16SS0R0J	R 7541	(A,144,49)	RS1/16SS103J
R 7356	(B,96,32)	RS1/16SS0R0J	R 7544	(A,141,50)	RS1/16SS0R0J
R 7357	(B,129,29)	RS1/16SS0R0J	R 7601	(B,154,26)	RS1/16SS221J
R 7376	(B,118,42)	RS1/10SR0R0J	R 7603	(B,157,25)	RS1/16SS0R0J
R 7385	(B,113,26)	RS1/16SS0R0J	R 7604	(B,152,28)	RS1/16SS102J
R 7386	(B,83,31)	RS1/16SS0R0J	R 7605	(B,154,28)	RS1/16SS102J
R 7387	(B,106,31)	RS1/16SS0R0J	R 7606	(B,150,27)	RS1/16SS102J
R 7388	(B,86,31)	RS1/16SS0R0J	R 7607	(B,160,33)	RS1/16SS103J
R 7389	(B,109,29)	RS1/16SS0R0J	R 7609	(B,136,28)	RS1/16SS0R0J

1

2

3

4

5		6		7		8	
<u>Circuit Symbol and No.</u>		<u>Part No.</u>		<u>Circuit Symbol and No.</u>		<u>Part No.</u>	
R 7610	(B,141,29)	RS1/16SS330J		R 7766	(A,43,31)	RS1/16SS103J	
R 7611	(B,139,31)	RS1/16SS330J		R 7767	(A,44,31)	RS1/16SS0R0J	
R 7612	(B,145,27)	RS1/16SS330J		R 7768	(A,52,32)	RS1/16SS0R0J	A
R 7613	(B,140,48)	RS1/16SS221J		R 7769	(A,50,32)	RS1/16SS0R0J	
R 7614	(B,135,48)	RS1/16SS0R0J		R 7770	(A,49,32)	RS1/16SS0R0J	
R 7615	(B,132,53)	RS1/16SS330J		R 7771	(A,48,32)	RS1/16SS331J	
R 7616	(B,133,51)	RS1/16SS330J		R 7772	(A,52,28)	RS1/16SS103J	
R 7617	(B,133,49)	RS1/16SS330J		R 7773	(A,50,29)	RS1/16SS103J	
R 7618	(B,139,30)	RS1/16SS103J		R 7774	(A,49,29)	RS1/16SS103J	
R 7619	(B,135,59)	RS1/16SS103J		R 7775	(B,55,40)	RS1/10SR0R0J	
R 7621	(B,160,23)	RS1/16SS821J		R 7776	(A,34,41)	RS1/16SS0R0J	
R 7622	(B,163,23)	RS1/16SS821J		R 7778	(B,51,33)	RS1/16SS153J	
R 7623	(B,143,19)	RS1/16SS821J		R 7780	(B,47,31)	RS1/16SS223J	
R 7624	(B,147,19)	RS1/16SS821J		R 7781	(B,42,29)	RS1/16SS223J	
R 7625	(B,149,51)	RS1/16SS821J		R 7782	(B,47,29)	RS1/16SS0R0J	B
R 7626	(B,149,55)	RS1/16SS821J		R 7783	(B,35,31)	RS1/16SS163J	
R 7628	(B,161,21)	RS1/16SS0R0J		R 7784	(B,38,31)	RS1/16SS163J	
R 7631	(B,145,17)	RS1/16SS0R0J		R 7785	(B,34,31)	RS1/16SS101J	
R 7634	(B,151,53)	RS1/16SS0R0J		R 7786	(B,45,28)	RS1/16SS0R0J	
R 7639	(B,136,30)	RS1/16SS0R0J		R 7787	(A,8,110)	RS1/16SS153J	
R 7640	(B,157,20)	RS1/16SS0R0J		R 7788	(A,5,110)	RS1/16SS683J	
R 7702	(B,48,37)	RS1/16SS753J		R 7789	(A,4,102)	RS1/16SS562J	
R 7703	(B,48,38)	RS1/16SS753J		R 7790	(B,47,34)	RS1/10SR623J	
R 7707	(A,5,113)	RS1/16SS0R0J		R 7791	(A,4,99)	RS1/16SS104J	
R 7708	(B,28,22)	RS1/16SS101J		R 7792	(A,7,100)	RS1/16SS274J	C
R 7710	(B,30,25)	RS1/16SS101J		R 7793	(B,30,39)	RS1/16SS0R0J	
R 7714	(B,26,39)	RS1/16SS102J		R 7794	(A,11,105)	RS1/16SS0R0J	
R 7715	(B,27,32)	RS1/16SS0R0J		R 7795	(A,9,112)	RS1/16SS0R0J	
R 7716	(A,43,49)	RS1/16SS222J		R 7797	(B,46,34)	RS1/16SS153J	
R 7717	(B,13,14)	RS1/16SS102J		R 7798	(A,27,28)	RS1/16SS223J	
R 7718	(B,12,14)	RS1/16SS102J		R 7804	(A,26,30)	RS1/16SS0R0J	
R 7719	(A,42,48)	RS1/16SS105J		R 7805	(A,13,109)	RS1/16SS102J	
R 7720	(A,20,20)	RS1/16SS0R0J		R 7806	(A,11,112)	RS1/16SS102J	
R 7721	(A,20,18)	RS1/16SS0R0J		R 7813	(B,52,35)	RS1/16SS0R0J	
R 7722	(A,18,21)	RS1/16SS681J		R 7820	(A,14,27)	RS1/16SS0R0J	
R 7723	(B,15,22)	RS1/16SS0R0J		R 7821	(A,25,42)	RS1/16SS0R0J	D
R 7725	(A,18,24)	RS1/16SS681J		R 7822	(B,26,41)	RS1/16SS0R0J	
R 7726	(A,19,18)	RS1/16SS681J		R 7823	(B,35,35)	RS1/16SS273J	
R 7727	(A,18,15)	RS1/16SS331J		R 7826	(B,40,40)	RS1/16SS0R0J	
R 7728	(A,46,49)	RS1/16SS0R0J		R 7827	(A,48,48)	RS1/16SS472J	
R 7729	(B,12,22)	RS1/16SS0R0J		R 7828	(A,48,51)	RS1/16SS472J	
R 7730	(A,46,50)	RS1/16SS0R0J		R 7829	(A,13,24)	RS1/16SS0R0J	
R 7731	(B,36,39)	RS1/16SS0R0J		R 7832	(A,48,21)	RS1/10SR0R0J	
R 7733	(A,34,47)	RS1/16SS0R0J		R 7833	(A,46,29)	RS1/10SR0R0J	
R 7734	(A,26,34)	RS1/16SS223J		R 7834	(B,47,32)	RS1/16SS682J	
R 7735	(A,26,35)	RS1/16SS223J		R 7904	(B,76,66)	RS1/16SS0R0J	
R 7737	(B,25,34)	RS1/16SS222J		R 7905	(B,76,60)	RS1/16SS0R0J	E
R 7738	(B,23,34)	RS1/16SS332J		R 7906	(B,76,57)	RS1/16SS0R0J	
R 7740	(A,34,38)	RS1/16SS0R0J		R 7907	(B,63,53)	RS1/16SS151J	
R 7744	(A,26,31)	RS1/16SS223J		R 7908	(B,65,53)	RS1/16SS151J	
R 7745	(B,37,35)	RS1/16SS333J		R 7909	(B,67,53)	RS1/16SS151J	
R 7746	(B,37,37)	RS1/16SS473J		R 7910	(A,66,55)	RS1/16SS151J	
R 7747	(A,15,25)	RS1/16SS821J		R 7911	(B,81,62)	RS1/4SA0R0J	
R 7748	(A,15,29)	RS1/16SS821J		R 7912	(B,81,60)	RS1/4SA0R0J	
R 7749	(B,50,39)	RS1/16SS101J		R 7913	(B,81,58)	RS1/4SA0R0J	
R 7756	(B,140,69)	RS1/16SS103J		R 7916	(B,79,73)	RS1/16SS1500D	
R 7757	(B,137,64)	RS1/16SS220J		R 7919	(B,79,66)	RS1/16SS1500D	F
R 7758	(B,141,60)	RS1/16SS220J		R 7920	(B,82,68)	RS1/16SS472J	
R 7761	(A,54,35)	RS1/16SS0R0J		R 7921	(B,82,55)	RS1/16SS473J	
R 7762	(B,31,22)	RS1/16SS222J		R 7923	(B,82,66)	RS1/16SS101J	

	1	2	3	4
	<u>Circuit Symbol and No.</u>	<u>Part No.</u>	<u>Circuit Symbol and No.</u>	<u>Part No.</u>
	R 7924 (B,83,66)	RS1/16SS101J	R 8038 (A,124,52)	RS1/16SS473J
	R 7925 (A,84,70)	RS1/16SS821J	R 8040 (A,123,52)	RS1/16SS473J
A	R 7926 (A,85,68)	RS1/16SS105J	R 8041 (A,125,52)	RS1/16SS473J
	R 7930 (A,92,67)	RS1/16SS221J	R 8042 (B,106,61)	RAB4CQ220J
	R 7931 (A,88,52)	RS1/16SS221J	R 8043 (B,106,59)	RAB4CQ220J
	R 7942 (B,58,50)	RS1/16SS273J	R 8044 (B,111,56)	RAB4CQ220J
	R 7943 (B,58,49)	RS1/16SS273J	R 8045 (B,114,56)	RAB4CQ220J
	R 7945 (A,91,66)	RS1/16SS103J	R 8046 (A,122,74)	RS1/16SS472J
	R 7951 (A,91,68)	RS1/16SS101J	R 8048 (B,104,61)	RAB4CQ0R0J
	R 7955 (A,99,61)	RS1/16SS104J	R 8049 (B,104,59)	RAB4CQ0R0J
	R 7956 (A,99,59)	RAB4CQ151J	R 8050 (B,111,54)	RAB4CQ0R0J
	R 7957 (A,99,56)	RAB4CQ151J	R 8051 (B,114,54)	RAB4CQ0R0J
	R 7958 (A,101,59)	RAB4CQ0R0J	R 8052 (B,104,65)	RS1/16SS100J
B	R 7959 (A,101,56)	RAB4CQ0R0J	R 8057 (A,128,73)	RS1/16SS821J
	R 7967 (A,93,50)	RS1/16SS331J	R 8058 (A,128,72)	RS1/16SS0R0J
	R 7968 (A,99,60)	RS1/16SS221J	R 8059 (A,128,71)	RS1/16SS821J
	R 7977 (A,100,65)	RS1/16SS181J	R 8061 (B,121,58)	RAB4CQ221J
	R 7981 (A,95,50)	RS1/16SS0R0J	R 8062 (B,121,55)	RAB4CQ0R0J
	R 7982 (B,62,46)	RS1/16SS101J	R 8065 (B,123,71)	RS1/16SS0R0J
	R 7983 (B,66,46)	RS1/16SS101J	R 8066 (B,127,67)	RS1/16SS0R0J
	R 7984 (A,66,46)	RS1/16SS101J	R 8070 (A,118,70)	RS1/16SS222J
	R 7985 (A,63,47)	RS1/16SS101J	R 8071 (A,112,78)	RS1/16SS0R0J
	R 7986 (B,63,33)	RS1/16SS75R0D	R 8114 (A,143,85)	RS1/16SS10R0D
	R 7987 (B,67,33)	RS1/16SS75R0D	R 8115 (A,140,79)	RS1/16SS1501D
C	R 7988 (A,65,34)	RS1/16SS75R0D	R 8116 (A,140,77)	RS1/16SS2402D
	R 7989 (A,62,35)	RS1/16SS75R0D	R 8117 (A,140,75)	RS1/16SS3302D
	R 7991 (B,57,24)	RS1/16SS0R0J	R 8119 (B,143,80)	RS1/16SS4702D
	R 7992 (B,57,45)	RS1/16SS0R0J	R 8120 (A,141,75)	RS1/16SS4702D
	R 8001 (B,116,102)	RS1/16SS0R0J	R 8121 (A,141,79)	RS1/16SS432J
	R 8002 (B,119,102)	RS1/16SS0R0J	R 8127 (B,152,78)	RS1/16SS471J
	R 8003 (B,119,100)	RS1/16SS151J	R 8128 (B,152,79)	RS1/16SS0R0J
	R 8004 (B,118,100)	RS1/16SS151J	R 8134 (A,154,76)	RS1/16SS1002D
	R 8006 (A,117,92)	RS1/16SS103J	R 8135 (A,153,76)	RS1/16SS2202D
	R 8007 (A,117,91)	RS1/16SS102J	R 8136 (A,151,76)	RS1/16SS3302D
	R 8008 (B,115,102)	RS1/16SS102J	R 8139 (A,151,78)	RS1/16SS103J
D	R 8009 (B,115,97)	RS1/16SS473J	R 8140 (A,150,80)	RS1/10SR0R0J
	R 8010 (B,115,98)	RS1/16SS473J	R 8142 (A,159,82)	RS1/16SS0R0J
	R 8011 (A,108,80)	RS1/16SS223J	R 8146 (B,148,75)	RS1/10SR0R0J
	R 8012 (A,108,78)	RS1/16SS433J	R 8148 (A,156,81)	RS1/16SS102J
	R 8013 (A,122,57)	RS1/16SS0R0J	R 8149 (A,156,78)	RS1/16SS102J
	R 8014 (A,117,55)	RS1/16SS0R0J	R 8201 (B,75,22)	RS1/16SS0R0J
	R 8015 (B,120,69)	RS1/16SS0R0J	R 8202 (B,140,14)	RS1/16SS0R0J
	R 8016 (A,122,52)	RS1/16SS0R0J	R 8203 (B,74,22)	RS1/16SS0R0J
	R 8017 (A,113,78)	RS1/16SS273J	R 8205 (B,73,22)	RS1/16SS0R0J
	R 8018 (B,106,69)	RS1/16SS102J	R 8209 (B,88,125)	RS1/10SR0R0J
E	R 8019 (B,120,68)	RS1/16SS271J	R 8210 (B,77,122)	RS1/10SR0R0J
	R 8021 (B,120,67)	RS1/16SS0R0J	R 8216 (B,72,15)	RS1/16SS0R0J
	R 8022 (B,106,67)	RS1/16SS105J	R 8218 (B,71,19)	RS1/16SS0R0J
	R 8024 (A,118,67)	RS1/16SS333J	R 8227 (B,66,15)	RS1/16SS0R0J
	R 8025 (A,119,67)	RS1/16SS333J	R 8228 (B,66,17)	RS1/16SS0R0J
	R 8026 (B,122,66)	RS1/16SS330J	R 8229 (B,65,15)	RS1/16SS0R0J
	R 8027 (A,118,61)	RS1/16SS333J	R 8231 (B,64,17)	RS1/16SS0R0J
	R 8028 (A,119,63)	RS1/16SS333J	R 8232 (B,64,15)	RS1/16SS0R0J
	R 8029 (B,122,65)	RS1/16SS330J	R 8233 (B,63,17)	RS1/16SS0R0J
	R 8031 (A,109,59)	RS1/16SS103J	R 8235 (B,62,15)	RS1/16SS0R0J
	R 8032 (A,107,62)	RS1/16SS0R0J	R 8236 (B,62,17)	RS1/16SS0R0J
F	R 8033 (B,122,64)	RS1/16SS330J	R 8237 (B,61,15)	RS1/16SS0R0J
	R 8035 (B,120,63)	RS1/16SS0R0J	R 8239 (B,60,19)	RS1/16SS0R0J
	R 8036 (A,105,62)	RS1/16SS472J	R 8240 (B,59,17)	RS1/16SS0R0J
	R 8037 (B,122,62)	RS1/16SS101J	R 8241 (B,59,19)	RS1/16SS0R0J

5		6		7		8	
<u>Circuit Symbol and No.</u>		<u>Part No.</u>		<u>Circuit Symbol and No.</u>		<u>Part No.</u>	
R 8242	(B,58,17)	RS1/16SS0R0J	RS1/16SS0R0J	R 8709	(A,135,94)	RS1/16SS0R0J	RS1/16SS0R0J
R 8243	(B,58,19)	RS1/16SS0R0J	RS1/16SS0R0J	R 8710	(A,135,92)	RS1/16SS0R0J	RS1/16SS0R0J
R 8244	(B,57,17)	RS1/16SS0R0J	RS1/16SS0R0J	CAPACITORS			
R 8245	(B,56,19)	RS1/16SS0R0J	RS1/16SS0R0J	C 7003	(A,32,103)	CKSRYB104K50	CKSRYB104K50
R 8304	(B,156,15)	RS1/16SS471J	RS1/16SS471J	C 7006	(A,65,111)	CKSQYB334K50	CKSQYB334K50
R 8305	(B,155,16)	RS1/16SS471J	RS1/16SS471J	C 7013	(B,71,116)	CEVW220M16	CEVW220M16
R 8306	(B,155,14)	RS1/16SS0R0J	RS1/16SS0R0J	C 7017	(B,145,73) 4.7 uF	CCG1212	CCG1212
R 8307	(B,165,17)	RS1/16SS0R0J	RS1/16SS0R0J	C 7018	(A,8,35)	CKSRYB105K10	CKSRYB105K10
R 8308	(B,164,17)	RS1/16SS0R0J	RS1/16SS0R0J	C 7021	(A,121,46) 4.7 uF	CCG1212	CCG1212
R 8309	(B,161,16)	RS1/16SS0R0J	RS1/16SS0R0J	C 7022	(B,142,77)	CKSRYB105K10	CKSRYB105K10
R 8310	(B,160,16)	RS1/16SS0R0J	RS1/16SS0R0J	C 7023	(A,7,33) 4.7 uF	CCG1212	CCG1212
R 8311	(B,160,18)	RS1/16SS0R0J	RS1/16SS0R0J	C 7029	(A,117,51) 4.7 uF	CCG1212	CCG1212
R 8312	(B,159,18)	RS1/16SS0R0J	RS1/16SS0R0J	C 7032	(A,85,43)	CKSRYB105K10	CKSRYB105K10
R 8313	(B,158,16)	RS1/16SS0R0J	RS1/16SS0R0J	C 7033	(A,80,43)	CKSRYB105K10	CKSRYB105K10
R 8314	(B,157,16)	RS1/16SS0R0J	RS1/16SS0R0J	C 7036	(A,111,43)	CKSRYB105K10	CKSRYB105K10
R 8315	(B,154,18)	RS1/16SS102J	RS1/16SS102J	C 7039	(A,111,45)	CKSSYB473K16	CKSSYB473K16
R 8316	(B,153,17)	RS1/16SS102J	RS1/16SS102J	C 7042	(A,16,34)	CKSSYB104K10	CKSSYB104K10
R 8317	(B,153,14)	RS1/16SS102J	RS1/16SS102J	C 7043	(A,119,43)	CKSSYB104K10	CKSSYB104K10
R 8333	(B,146,15)	RS1/16SS0R0J	RS1/16SS0R0J	C 7045	(B,27,69)	CCSSCH561J50	CCSSCH561J50
R 8334	(B,145,16)	RS1/16SS0R0J	RS1/16SS0R0J	C 7046	(A,31,70) 10 uF/16 V	DCH1263	DCH1263
R 8336	(B,144,15)	RS1/16SS0R0J	RS1/16SS0R0J	C 7047	(A,31,72) 10 uF/16 V	DCH1263	DCH1263
R 8337	(B,143,15)	RS1/16SS0R0J	RS1/16SS0R0J	C 7048	(A,31,74) 10 uF/16 V	DCH1263	DCH1263
R 8340	(B,141,15)	RS1/16SS0R0J	RS1/16SS0R0J	C 7049	(A,31,75)	CKSSYB104K16	CKSSYB104K16
R 8341	(B,138,16)	RS1/16SS0R0J	RS1/16SS0R0J	C 7052	(B,28,84)	CKSSYB104K16	CKSSYB104K16
R 8360	(B,130,13)	RS1/16SS0R0J	RS1/16SS0R0J	C 7053	(A,22,78) 10 uF	CCG1236	CCG1236
R 8401	(B,128,15)	RS1/16SS0R0J	RS1/16SS0R0J	C 7055	(B,25,72)	CKSSYB103K16	CKSSYB103K16
R 8402	(B,130,16)	RS1/16SS0R0J	RS1/16SS0R0J	C 7056	(B,27,70)	CCSSCH8R0D50	CCSSCH8R0D50
R 8403	(B,129,14)	RS1/16SS0R0J	RS1/16SS0R0J	C 7057	(B,31,71)	CKSSYB103K16	CKSSYB103K16
R 8404	(B,122,19)	RS1/16SS0R0J	RS1/16SS0R0J	C 7058	(B,25,70)	CKSSYB152K50	CKSSYB152K50
R 8408	(B,122,21)	RS1/16SS0R0J	RS1/16SS0R0J	C 7059	(B,27,71)	CKSRYB105K16	CKSRYB105K16
R 8414	(B,118,24)	RS1/16SS0R0J	RS1/16SS0R0J	C 7060	(A,22,76) 10 uF	CCG1236	CCG1236
R 8415	(B,117,22)	RS1/16SS0R0J	RS1/16SS0R0J	C 7061	(A,22,74) 10 uF	CCG1236	CCG1236
R 8416	(B,117,27)	RS1/16SS0R0J	RS1/16SS0R0J	C 7074	(A,70,87)	CKSRYB105K10	CKSRYB105K10
R 8417	(B,116,19)	RS1/16SS0R0J	RS1/16SS0R0J	C 7085	(B,136,74)	CKSSYB104K10	CKSSYB104K10
R 8419	(B,115,25)	RS1/16SS0R0J	RS1/16SS0R0J	C 7086	(A,67,84) 10 uF	CCG1192	CCG1192
R 8420	(B,115,19)	RS1/16SS0R0J	RS1/16SS0R0J	C 7101	(B,58,76)	CCSSCH150J50	CCSSCH150J50
R 8421	(B,114,21)	RS1/16SS0R0J	RS1/16SS0R0J	C 7102	(B,60,75)	CCSSCH220J50	CCSSCH220J50
R 8422	(B,114,23)	RS1/16SS0R0J	RS1/16SS0R0J	C 7103	(B,60,76)	CKSSYB152K50	CKSSYB152K50
R 8423	(B,113,25)	RS1/16SS0R0J	RS1/16SS0R0J	C 7104	(B,58,65)	CCSSCH150J50	CCSSCH150J50
R 8446	(B,100,22)	RS1/16SS0R0J	RS1/16SS0R0J	C 7105	(B,60,66)	CCSSCH220J50	CCSSCH220J50
R 8447	(B,99,22)	RS1/16SS0R0J	RS1/16SS0R0J	C 7106	(B,57,72)	CCSSCH102J50	CCSSCH102J50
R 8449	(B,98,24)	RS1/16SS0R0J	RS1/16SS0R0J	C 7107	(B,60,64)	CKSSYB472K50	CKSSYB472K50
R 8451	(B,97,22)	RS1/16SS0R0J	RS1/16SS0R0J	C 7108	(B,57,68)	CCSSCH102J50	CCSSCH102J50
R 8452	(B,96,22)	RS1/16SS0R0J	RS1/16SS0R0J	C 7109	(B,58,56)	CKSSYB103K16	CKSSYB103K16
R 8453	(B,93,24)	RS1/16SS0R0J	RS1/16SS0R0J	C 7110	(B,51,75)	CKSSYB222K50	CKSSYB222K50
R 8454	(B,95,20)	RS1/16SS0R0J	RS1/16SS0R0J	C 7111	(B,54,64)	CKSSYB153K16	CKSSYB153K16
R 8456	(B,120,21)	RS1/8SQ0R0J	RS1/8SQ0R0J	C 7112	(B,47,70)	CKSRYB104K50	CKSRYB104K50
R 8458	(B,101,20)	RS1/8SQ0R0J	RS1/8SQ0R0J	C 7113	(B,45,76)	CKSRYB104K50	CKSRYB104K50
R 8460	(B,93,20)	RS1/8SQ0R0J	RS1/8SQ0R0J	C 7114	(B,46,61)	CKSRYB104K50	CKSRYB104K50
R 8462	(B,89,30)	RS1/16SS0R0J	RS1/16SS0R0J	C 7115	(B,45,69) 4.7 uF	CCG1201	CCG1201
R 8501	(A,140,94)	RS1/16SS473J	RS1/16SS473J	C 7116	(A,40,74) 10 uF	CCG1236	CCG1236
R 8503	(A,139,94)	RS1/16SS472J	RS1/16SS472J	C 7117	(A,40,65) 10 uF	CCG1236	CCG1236
R 8512	(B,143,89)	RS1/16SS0R0J	RS1/16SS0R0J	C 7121	(A,56,74) 47 uF	CCG1229	CCG1229
R 8565	(A,6,115)	VTL1134	VTL1134	C 7122	(A,56,68) 47 uF	CCG1229	CCG1229
R 8566	(A,10,115)	RS1/16SS0R0J	RS1/16SS0R0J	C 7124	(A,56,71) 47 uF	CCG1229	CCG1229
R 8581	(A,140,89)	RS1/16SS103J	RS1/16SS103J	C 7125	(A,56,65) 47 uF	CCG1229	CCG1229
R 8582	(A,143,93)	RS1/16SS103J	RS1/16SS103J	C 7201	(A,142,65)	CKSSYB104K10	CKSSYB104K10
R 8603	(A,10,5)	RS1/16SS0R0J	RS1/16SS0R0J	C 7202	(A,145,65)	CKSSYB104K10	CKSSYB104K10
R 8604	(A,32,12)	RS1/16SS0R0J	RS1/16SS0R0J				
R 8701	(A,127,94)	RS1/16SS0R0J	RS1/16SS0R0J				

	1	2	3	4
	<u>Circuit Symbol and No.</u>	<u>Part No.</u>	<u>Circuit Symbol and No.</u>	<u>Part No.</u>
A	C 7204 (A,147,69)	CKSSYB104K10	C 7714 (A,19,27)	CKSRYB105K10
	C 7207 (B,89,86) 10 uF	CCG1236	C 7715 (B,10,23)	CKSRYB105K10
	C 7208 (B,89,88) 10 uF	CCG1236	C 7717 (A,33,45) 10 uF	CCG1192
	C 7209 (B,95,109) 10 uF	CCG1236	C 7718 (A,37,44)	CKSSYB104K10
	C 7210 (B,95,107) 10 uF	CCG1236	C 7719 (A,17,14)	CCSSCH470J50
■	C 7211 (A,91,100)	CCSSCH471J50	C 7720 (A,18,19)	CCSSCH220J50
	C 7212 (A,85,80)	CCSSCH471J50	C 7721 (A,17,24)	CCSSCH220J50
	C 7213 (B,102,98)	CEVW101M16	C 7722 (A,18,22)	CCSSCH220J50
	C 7214 (B,94,77)	CEVW101M16	C 7723 (A,33,43) 10 uF	CCG1192
	C 7215 (A,92,103)	CCSSCH270J50	C 7724 (B,24,37) 10 uF	CCG1192
B	C 7216 (A,86,82)	CCSSCH270J50	C 7725 (A,10,24) 10 uF	CCG1192
	C 7217 (B,105,102)	CKSSYB104K10	C 7726 (A,11,23)	CKSSYB104K10
	C 7218 (B,99,81)	CKSSYB104K10	C 7727 (B,25,33)	CKSSYB104K10
	C 7219 (A,90,103)	CKSSYB222K50	C 7728 (B,26,38)	CKSRYB105K10
	C 7220 (A,84,83)	CCSSCH821J50	C 7729 (A,8,13)	CKSSYB104K10
■	C 7221 (A,95,111)	CKSRYB104K50	C 7730 (A,36,43)	CKSSYB104K10
	C 7222 (A,89,91)	CKSRYB104K50	C 7731 (A,10,12) 10 uF	CCG1192
	C 7223 (A,90,105)	CKSRYB105K10	C 7732 (B,37,34)	CCSSCH561J50
	C 7224 (A,84,85)	CKSRYB105K10	C 7733 (B,38,37)	CCSSCH680J50
	C 7225 (B,104,104) 22 uF	CCG1254	C 7734 (A,15,26)	CKSSYB102K50
C	C 7226 (B,98,83) 22 uF	CCG1254	C 7735 (A,15,28)	CKSSYB102K50
	C 7229 (A,103,109)	CKSSYB104K16	C 7736 (B,148,68)	CKSQYB225K10
	C 7230 (A,104,106)	CKSSYB104K16	C 7737 (B,149,65) 4.7 uF	CCG1201
	C 7231 (A,104,100)	CKSSYB102K50	C 7738 (B,148,65)	CKSSYB104K10
	C 7232 (A,102,100)	CKSSYB472K50	C 7739 (B,150,63) 10 uF	CCG1192
■	C 7233 (A,97,88)	CKSSYB104K16	C 7740 (B,46,40)	CKSSYB104K10
	C 7234 (A,98,85)	CKSSYB104K16	C 7741 (B,146,60) 10 uF	CCG1192
	C 7235 (A,98,80)	CKSSYB102K50	C 7742 (B,154,65)	CKSSYB104K10
	C 7236 (A,96,80)	CKSSYB472K50	C 7743 (B,146,59)	CKSSYB104K10
	C 7301 (B,79,44) 22 uF	DCH1256	C 7744 (A,37,42)	CCSSCH151J50
D	C 7303 (A,124,38)	CKSSYB104K10	C 7745 (A,23,40)	CKSRYB105K10
	C 7305 (B,86,46) 22 uF	DCH1256	C 7747 (A,32,37)	CKSRYB105K10
	C 7306 (A,128,39)	CKSSYB104K10	C 7748 (A,54,38) 10 uF	CCG1192
	C 7504 (A,155,48) 10 uF	CCG1192	C 7749 (A,53,38)	CKSSYB104K10
	C 7506 (A,155,47)	CKSSYB104K10	C 7751 (A,53,35)	CKSSYB104K10
■	C 7601 (B,164,34) 10 uF	CCG1192	C 7754 (A,41,32)	CKSSYB104K10
	C 7602 (B,147,22) 10 uF	CCG1192	C 7755 (A,36,31) 10 uF	CCG1192
	C 7603 (B,141,59) 10 uF	CCG1192	C 7756 (A,40,31) 10 uF	CCG1192
	C 7604 (B,164,33)	CKSSYB104K10	C 7757 (A,36,33) 10 uF	CCG1192
	C 7605 (B,145,22)	CKSSYB104K10	C 7758 (A,37,35)	CKSSYB104K10
■	C 7606 (B,140,57)	CKSSYB104K10	C 7759 (A,48,29)	CCSSCH220J50
	C 7607 (B,166,24)	CKSSYB104K10	C 7761 (B,35,37)	CKSRYB105K10
	C 7608 (B,137,19)	CKSSYB104K10	C 7762 (A,31,40)	CKSRYB105K10
	C 7609 (B,143,49)	CKSSYB104K10	C 7763 (B,53,33) 2.2 uF	CCG1218
	C 7610 (B,166,22) 10 uF	CCG1192	C 7765 (B,43,28) 0.47 uF	CCG1339
E	C 7611 (B,139,18) 10 uF	CCG1192	C 7766 (B,36,32)	CCSSCH101J50
	C 7612 (B,145,49) 10 uF	CCG1192	C 7767 (B,36,31)	CCSSCH101J50
	C 7613 (B,160,22)	CKSSYB102K50	C 7768 (B,45,29)	CKSSYB104K10
	C 7614 (B,163,22)	CKSSYB102K50	C 7769 (A,7,112)	CKSSYB683K10
	C 7615 (B,143,18)	CKSSYB102K50	C 7770 (A,7,110)	CKSRYB474K16
■	C 7616 (B,146,18)	CKSSYB102K50	C 7771 (A,4,105)	CCG1331
	C 7617 (B,149,52)	CKSSYB102K50	C 7772 (A,4,100)	CCSSCH180J50
	C 7618 (B,149,54)	CKSSYB102K50	C 7773 (A,6,100)	CCSSCH6R0D50
	C 7701 (B,47,38)	CCSSCH680J50	C 7774 (A,10,104)	CKSSYB104K10
	C 7705 (B,26,26) 10 uF	CCG1192	C 7775 (A,19,29)	CKSRYB105K10
F	C 7707 (A,42,50)	CCSSCH120J50	C 7779 (A,25,30)	CKSSYB104K10
	C 7708 (B,23,26) 10 uF	CCG1192	C 7780 (A,11,107) 22 uF	DCH1256
	C 7710 (B,23,24)	CKSSYB104K10	C 7783 (B,40,39)	CKSSYB104K10
	C 7711 (B,27,22)	CKSSYB104K10	C 7785 (B,136,62)	CCSSCH101J50
	C 7713 (A,39,47)	CCSSCH120J50	C 7786 (B,21,24)	CKSSYB104K10

5
Circuit Symbol and No.

6
Part No.

7
Circuit Symbol and No.

8
Part No.

C 7789 (B,49,32) 2.2 uF
C 7852 (B,65,106)
C 7878 (B,67,108)
C 7879 (B,51,106)
C 7880 (B,46,106)

CCG1218
CKSSYB103K16
CKSSYB104K10
CKSSYB104K10
CKSSYB104K10

C 7979 (B,61,54)
C 7980 (B,56,47) 10 uF
C 8004 (B,109,71) 10 uF
C 8007 (B,116,101)
C 8008 (B,110,69)

CKSSYB104K10
CCG1192
CCG1192
CCSSCH270J50
CKSSYB104K10

C 7909 (B,64,39)
C 7910 (B,62,39)
C 7911 (B,68,39)
C 7912 (B,66,39)
C 7913 (A,64,39)

CKSRYB105K10
CKSRYB105K10
CKSRYB105K10
CKSRYB105K10
CKSRYB105K10

C 8009 (B,117,97)
C 8012 (A,112,66)
C 8013 (A,114,66)
C 8014 (A,116,64)
C 8016 (B,105,69)

CCSSCH270J50
CKSSYB104K10
CKSSYB104K10
CKSSYB104K10
CCSSCH120J50

C 7914 (A,66,39)
C 7915 (A,61,40)
C 7916 (A,63,40)
C 7917 (A,65,57) 10 uF
C 7921 (B,64,45)

CKSRYB105K10
CKSRYB105K10
CKSRYB105K10
CCG1192
CKSSYB104K10

C 8017 (B,104,69)
C 8019 (A,111,64)
C 8023 (B,125,62)
C 8024 (A,111,62)
C 8025 (A,114,61)

CCSSCH150J50
CKSSYB104K10
CCSSCH470J50
CKSSYB104K10
CKSSYB104K10

C 7922 (B,67,45)
C 7923 (A,65,45)
C 7924 (A,61,46)
C 7925 (B,71,59)
C 7926 (A,73,63)

CKSSYB104K10
CKSSYB104K10
CKSSYB104K10
CKSRYB105K16
CCSSCH102J50

C 8026 (A,116,62)
C 8028 (A,130,68) 10 uF
C 8029 (A,129,67)
C 8031 (A,124,70)
C 8032 (A,124,72) 10 uF

CKSSYB104K10
CCG1192
CKSSYB104K10
CKSSYB104K10
CCG1192

C 7927 (A,72,63)
C 7928 (B,73,57)
C 7929 (A,72,61)
C 7930 (A,72,60)
C 7931 (A,72,59)

CKSSYB104K10
CKSRYB105K16
CKSSYB103K16
CKSSYB474K6R3
CKSSYB474K6R3

C 8033 (A,130,73)
C 8034 (A,130,71)
C 8101 (A,156,84)
C 8102 (A,155,84)
C 8103 (A,144,85)

CKSSYB102K50
CKSSYB102K50
CKSSYB102K50
CKSSYB103K16
CKSSYB104K10

C 7932 (B,73,55)
C 7933 (A,72,57)
C 7934 (A,73,57)
C 7935 (A,67,57)
C 7936 (A,72,65) 10 uF

CKSRYB105K16
CKSSYB104K10
CCSSCH102J50
CKSRYB105K16
CCG1192

C 8104 (A,154,84)
C 8105 (A,151,84)
C 8108 (A,141,77)
C 8109 (A,148,80)
C 8110 (A,148,79)

CKSSYB104K10
CKSSYB103K16
CCSSCH101J50
CKSSYB104K10
CKSSYB104K10

C 7937 (A,73,60)
C 7939 (A,78,69)
C 7940 (A,78,68)
C 7941 (A,77,52)
C 7942 (A,78,52)

CKSSYB474K6R3
CKSSYB104K10
CCSSCH102J50
CKSSYB104K10
CKSSYB104K10

C 8111 (B,157,74)
C 8112 (B,157,77)
C 8113 (A,159,85)
C 8205 (A,80,115) 10 uF
C 8503 (B,142,90)

CKSRYB104K16
CKSRYB104K16
CKSRYB104K16
CCG1236
CKSSYB104K10

C 7944 (B,80,70)
C 7945 (A,79,71) 10 uF
C 7946 (A,80,68)
C 7947 (A,81,53)
C 7948 (A,81,69)

CKSRYB105K16
CCG1192
CKSSYB104K10
CKSSYB104K10
CKSSYB104K10

C 8506 (A,23,119)
C 8507 (A,25,124)
C 8508 (A,23,126)
C 8518 (A,7,114)

CKSSYB104K10
CKSSYB104K10
CKSSYB104K10
CKSSYB103K16

C 7949 (A,84,48) 10 uF
C 7950 (A,82,68)
C 7951 (A,83,52)
C 7952 (A,84,52)
C 7953 (A,77,42) 10 uF

CCG1192
CKSSYB104K10
CKSSYB104K10
CKSSYB104K10
CCG1192

C
Unit Number : CXX6933
Unit Name : Monitor Unit (Service)

MISCELLANEOUS

C 7954 (A,86,70)
C 7955 (A,85,70)
C 7956 (A,89,63)
C 7957 (A,89,62)
C 7958 (A,90,66)

CCSSCH5R0C50
CCSSCH6R0D50
CKSSYB104K10
CKSSYB104K10
CKSSYB103K16

IC 2801 (B,37,75) Regulator IC MM3411A15N
IC 2802 (B,27,77) Regulator IC MM3411A25N
IC 2803 (B,68,54) IC BU16002KVT
IC 3001 (A,32,57) Display IC TC90193SBG
IC 3101 (A,106,71) Driver IC BD81A04EFV-M

C 7963 (A,95,63) 1 uF
C 7964 (A,92,53) 1 uF
C 7965 (A,95,62)
C 7966 (A,92,52)
C 7970 (B,64,50)

DCH1246
DCH1246
CKSSYB103K16
CKSSYB103K16
CKSSYB104K10

IC 3201 (A,103,15) DC/DC Conv IC R1290K103A
Q 2701 (B,105,42) Chip Transistor HN1C01FU
Q 2702 (A,112,54) Transistor LSCR523UB
Q 3001 (B,19,46) Transistor LSAR523UB
Q 3002 (A,18,45) Transistor LSCR523UB

C 7971 (B,67,50)
C 7972 (A,65,51)
C 7973 (A,61,51)
C 7974 (A,95,68) 1 uF
C 7975 (A,95,67)

CKSSYB104K10
CKSSYB104K10
CKSSYB104K10
DCH1246
CKSSYB103K16

Q 3201 (A,103,25) Transistor 2SA1577
Q 3202 (A,109,12) Transistor LTC024EEB
Q 3301 (A,60,32) Transistor LSAR523UB

5		6		7		8	
<u>Circuit Symbol and No.</u>		<u>Part No.</u>	<u>Circuit Symbol and No.</u>		<u>Part No.</u>		
R 2810	(B,58,49)	RS1/16SS221J	R 3034	(A,33,69)	RS1/16SS0R0J		
R 2811	(B,58,50)	RS1/16SS221J	R 3036	(B,34,48)	RS1/16SS0R0J		
R 2812	(B,58,51)	RS1/16SS221J	R 3037	(A,32,69)	RS1/16SS0R0J		
R 2813	(B,56,54)	RS1/16SS221J	R 3038	(A,31,47)	RS1/16SS680J	A	
R 2814	(B,56,55)	RS1/16SS221J	R 3040	(A,29,43)	RS1/16SS470J		
R 2815	(B,56,56)	RS1/16SS221J	R 3042	(B,12,61)	RS1/16SS0R0J		
R 2816	(B,56,57)	RS1/16SS221J	R 3044	(B,21,62)	RS1/16SS472J		
R 2817	(B,56,58)	RS1/16SS221J	R 3045	(A,27,47)	RS1/16SS0R0J		
R 2818	(B,56,59)	RS1/16SS221J	R 3046	(A,26,68)	RS1/16SS0R0J		
R 2819	(B,56,60)	RS1/16SS221J	R 3047	(B,15,46)	RS1/16SS912J		
R 2820	(B,56,61)	RS1/16SS221J	R 3048	(B,23,66)	RS1/16SS472J		
R 2821	(B,56,62)	RS1/16SS221J	R 3049	(B,15,48)	RS1/16SS103J		
R 2822	(B,75,55)	RS1/16SS103J	R 3050	(B,17,46)	RS1/16SS103J		
R 2823	(A,69,56)	RS1/10SR0R0J	R 3051	(B,16,48)	RS1/16SS391J		
R 2824	(B,69,62)	RS1/16SS1000D	R 3053	(A,23,69)	RS1/16SS472J	B	
R 2825	(B,67,63)	RS1/16SS1000D	R 3054	(A,25,69)	RS1/16SS472J		
R 2826	(B,66,62)	RS1/16SS1000D	R 3055	(A,24,69)	RS1/16SS472J		
R 2827	(B,64,63)	RS1/16SS1000D	R 3056	(A,17,58)	RS1/16SS472J		
R 2828	(B,62,62)	RS1/16SS1000D	R 3057	(A,17,59)	RS1/16SS472J		
R 2831	(B,41,76)	RS1/10SR0R0J	R 3058	(B,20,61)	RS1/16SS472J		
R 2832	(B,32,78)	RS1/10SR0R0J	R 3059	(A,17,60)	RS1/16SS472J		
R 2834	(B,73,45)	RS1/16SS221J	R 3060	(A,22,69)	RS1/16SS472J		
R 2835	(B,72,45)	RS1/16SS221J	R 3061	(A,19,65)	RS1/16SS472J		
R 2836	(B,70,40)	RS1/16SS221J	R 3064	(A,21,55)	RS1/16SS105J		
R 2837	(B,70,41)	RS1/16SS221J	R 3065	(A,19,57)	RS1/16SS471J	C	
R 2838	(B,69,41)	RS1/16SS221J	R 3066	(A,74,62)	RS1/10SR0R0J		
R 2839	(B,68,42)	RS1/16SS221J	R 3067	(A,22,63)	RS1/16SS0R0J		
R 2857	(B,77,55)	RS1/16SS103J	R 3068	(A,22,59)	RS1/16SS0R0J		
R 2858	(B,81,55)	RS1/16SS103J	R 3069	(A,20,60)	RS1/16SS0R0J		
R 2859	(B,75,58)	RS1/16SS103J	R 3071	(A,22,49)	RS1/16SS0R0J		
R 2865	(B,82,55)	RS1/16SS221J	R 3072	(A,22,51)	RS1/16SS0R0J		
R 3001	(A,44,49)	RS1/16SS151J	R 3073	(B,27,54)	RS1/16SS0R0J		
R 3002	(A,44,52)	RS1/16SS151J	R 3074	(A,22,48)	RS1/16SS152J		
R 3003	(A,44,53)	RS1/16SS151J	R 3075	(B,32,75)	RS1/10SR0R0J		
R 3004	(A,45,52)	RS1/16SS151J	R 3077	(A,17,61)	RS1/16SS470J	D	
R 3005	(A,44,55)	RS1/16SS151J	R 3078	(A,17,64)	RS1/16SS273J		
R 3006	(A,45,55)	RS1/16SS151J	R 3079	(A,19,63)	RS1/16SS470J		
R 3007	(A,47,47)	RS1/16SS151J	R 3080	(A,20,68)	RS1/16SS470J		
R 3008	(A,47,45)	RS1/16SS151J	R 3081	(A,21,68)	RS1/16SS470J		
R 3009	(A,48,53)	RS1/16SS151J	R 3082	(B,20,78)	RS1/10SR0R0J		
R 3010	(A,48,48)	RS1/16SS151J	R 3083	(A,16,48)	RS1/16SS122J		
R 3011	(A,49,51)	RS1/16SS151J	R 3087	(A,22,52)	RS1/16SS0R0J		
R 3012	(A,44,61)	RS1/16SS151J	R 3088	(A,14,50)	RS1/10SR0R0J		
R 3014	(B,40,51)	RS1/16SS0R0J	R 3089	(B,14,52)	RS1/10SR0R0J		
R 3016	(B,43,61)	RS1/16SS0R0J	R 3091	(A,18,65)	RS1/16SS472J		
R 3017	(A,43,64)	RS1/16SS472J	R 3094	(A,18,62)	RS1/16SS472J		
R 3018	(A,43,65)	RS1/16SS472J	R 3095	(A,16,65)	RS1/16SS273J	E	
R 3019	(A,41,66)	RS1/16SS472J	R 3103	(B,106,70)	RS1/16SS104J		
R 3020	(B,42,57)	RS1/16SS0R0J	R 3104	(B,105,72)	RS1/16SS154J		
R 3021	(B,44,59)	RS1/16SS0R0J	R 3105	(A,108,77)	RS1/16SS273J		
R 3022	(A,43,45)	RS1/16SS151J	R 3106	(A,109,77)	RS1/16SS511J		
R 3023	(A,42,45)	RS1/16SS151J	R 3108	(B,98,67)	RS1/16SS3302D		
R 3024	(A,41,45)	RS1/16SS151J	R 3110	(B,96,67)	RS1/16SS3902D		
R 3025	(A,40,45)	RS1/16SS151J	R 3111	(A,72,68)	RS1/16SS0R0J		
R 3026	(A,39,45)	RS1/16SS151J	R 3116	(A,121,64)	RS1/16SS3603D		
R 3027	(A,38,45)	RS1/16SS0R0J	R 3117	(A,121,66)	RS1/16SS5102D		
R 3028	(A,38,43)	RS1/16SS151J	R 3118	(A,123,62)	RS1/10SR0R0J	F	
R 3030	(A,37,68)	RS1/16SS0R0J	R 3129	(B,105,75)	RS1/16SS0R0J		
R 3031	(A,35,46)	RS1/16SS151J	R 3132	(B,103,74)	RS1/16SS0R0J		
R 3033	(B,35,48)	RS1/16SS0R0J	R 3201	(A,109,10)	RS1/16SS0R0J		

1

Circuit Symbol and No.

R 3202 (A,99,13)
 R 3203 (B,101,15)
 R 3204 (B,101,17)
 R 3205 (B,100,13)

A

R 3206 (B,99,13)
 R 3207 (A,103,22)
 R 3208 (A,104,10)
 R 3209 (B,104,23)
 R 3210 (B,105,27)

R 3211 (A,106,12)
 R 3212 (A,107,12)
 R 3213 (A,107,13)
 R 3214 (A,97,22)
 R 3215 (A,96,13)

B

R 3216 (A,98,12)
 R 3217 (A,100,12)
 R 3218 (A,100,9)
 R 3219 (A,98,11)
 R 3291 (A,122,74)

R 3292 (A,122,73)
 R 3301 (B,13,33)
 R 3302 (B,14,32)
 R 3303 (B,15,33)
 R 3304 (B,16,32)

C

R 3305 (B,17,33)
 R 3306 (B,18,32)
 R 3307 (B,19,33)
 R 3308 (B,20,32)
 R 3309 (B,21,33)

R 3310 (B,22,32)
 R 3311 (B,23,33)
 R 3312 (B,24,32)
 R 3313 (B,25,33)
 R 3314 (B,26,32)

D

R 3315 (B,27,33)
 R 3316 (B,28,32)
 R 3317 (B,29,33)
 R 3318 (B,30,32)
 R 3319 (B,31,33)

R 3320 (B,32,32)
 R 3321 (B,33,33)
 R 3322 (B,33,31)
 R 3323 (B,33,37)
 R 3325 (B,36,46)

E

R 3326 (B,26,36)
 R 3328 (A,31,42)
 R 3329 (B,19,40)
 R 3330 (A,58,37)
 R 3332 (A,58,34)

R 3334 (A,61,36)
 R 3335 (A,66,33)
 R 3336 (A,64,32)
 R 3337 (A,63,35)
 R 3338 (A,63,34)

F

R 3340 (A,34,46)
 R 3342 (A,33,45)
 R 3343 (A,33,41)
 R 3344 (A,125,13)
 R 3352 (A,27,43)

R 3371 (A,36,43)

2

Part No.

RS1/16SS103J
 RS1/10SR9102D
 RS1/10SR1802D
 RS1/16SS203J

RS1/16SS104J
 RS1/16SS103J
 RS1/16SS472J
 RS1/10SR1003D
 RS1/10SR9101D

RS1/16SS6800D
 RS1/16SS1502D
 RS1/16SS8201D
 RS1/10SR2R2J
 RS1/10SR0R0J

RS1/10SR1203D
 RS1/10SR3001D
 RS1/10SR1502D
 RS1/10SR472J
 RS1/16SS0R0J

RS1/16SS0R0J
 RS1/16SS51R0D
 RS1/16SS2R2J
 RS1/16SS75R0D
 RS1/16SS2200D

RS1/16SS51R0D
 RS1/16SS4R7J
 RS1/16SS51R0D
 RS1/16SS0R0J
 RS1/16SS1600F

RS1/16SS10R0D
 RS1/16SS43R0D
 RS1/16SS2200D
 RS1/16SS1600F
 RS1/16SS18R0D

RS1/16SS13R0D
 RS1/16SS47R0D
 RS1/16SS68R0D
 RS1/16SS4R7J
 RS1/16SS1500D

RS1/16SS1500D
 RS1/16SS33R0D
 RS1/16SS2R2J
 RS1/16SS473J
 RS1/10SR0R0J

RS1/10SR0R0J
 RS1/16SS473J
 RS1/10SR0R0J
 RS1/16SS153J
 RS1/16SS105J

RS1/16SS153J
 RS1/16SS472J
 RS1/16SS101J
 RS1/16SS273J
 RS1/16SS474J

RS1/16SS473J
 RS1/16SS473J
 RS1/16SS0R0J
 RS1/16SS183J
 RS1/16SS473J

RS1/16SS0R0J

3

Circuit Symbol and No.

R 3380 (A,61,35)
 R 3510 (B,17,72)
 R 3511 (A,44,58)
 R 3512 (A,46,56)

R 3513 (A,43,49)
 R 3514 (A,43,50)
 R 3515 (A,45,62)
 R 3516 (A,45,63)

CAPACITORS

C 2705 (B,96,53) 10 uF
 C 2706 (B,93,53)
 C 2707 (A,77,28)
 C 2708 (A,75,28) 10 uF
 C 2709 (A,80,28)

C 2803 (A,58,53)
 C 2804 (B,57,53)
 C 2805 (B,60,60)
 C 2806 (A,62,59)
 C 2807 (B,73,62)

C 2808 (B,74,62)
 C 2809 (A,64,59)
 C 2810 (A,64,58)
 C 2814 (A,66,59)
 C 2816 (A,71,59) 10 uF

C 2819 (B,39,76)
 C 2820 (B,30,77)
 C 2821 (B,24,77)
 C 2822 (B,34,73)
 C 2823 (B,68,45)

C 2824 (B,68,46)
 C 2825 (B,77,54)
 C 2826 (B,76,54)
 C 2830 (B,80,57)
 C 3002 (B,40,52)

C 3003 (B,40,54)
 C 3004 (B,39,58)
 C 3005 (B,42,59)
 C 3006 (B,41,61)
 C 3007 (A,38,48)

C 3008 (A,36,68)
 C 3010 (B,34,50)
 C 3011 (A,33,66)
 C 3013 (B,32,48)
 C 3014 (A,32,66)

C 3015 (A,30,46)
 C 3019 (B,13,47) 10 uF
 C 3021 (A,28,49)
 C 3022 (A,28,66)
 C 3023 (B,17,50)

C 3024 (A,24,46)
 C 3025 (A,22,46)
 C 3026 (A,24,47)
 C 3027 (A,23,58)
 C 3028 (A,22,60)

C 3029 (A,23,63)
 C 3030 (A,20,50)
 C 3031 (A,25,49)
 C 3032 (A,23,49)
 C 3033 (A,23,52)

4

Part No.

RS1/16SS0R0J
 RS1/16SS0R0J
 RS1/16SS151J
 RS1/16SS151J

RS1/16SS151J
 RS1/16SS151J
 RS1/16SS151J
 RS1/16SS151J

CCG1192
 CKSSYB104K10
 CKSSYB104K10
 CCG1192
 CKSSYB104K10

CKSSYB104K10
 CKSSYB103K16
 CKSSYB103K16
 CKSSYB104K10
 CKSSYB103K16

CKSSYB104K10
 CKSSYB104K10
 CKSSYB103K16
 CKSSYB103K16
 CCG1192

CKSRYB105K10
 CKSRYB105K10
 CKSRYB105K10
 CKSRYB105K10
 CKSSYB104K10

CKSSYB103K16
 CKSSYB103K16
 CKSSYB104K10
 CKSQYB225K10
 CKSSYB104K10

CKSSYB104K10
 CKSSYB104K10
 CKSSYB104K10
 CKSSYB104K10
 CKSSYB104K10

CKSSYB104K10
 CKSSYB104K10
 CKSSYB104K10
 CKSSYB104K10
 CKSSYB104K10

CCSSCH220J50
 CCG1192
 CKSSYB104K10
 CKSSYB104K10
 CKSSYB104K10

CKSSYB104K10
 CKSRYB474K10
 CKSSYB104K10
 CKSSYB104K10
 CKSSYB104K10

CKSSYB104K10
 CKSSYB152K50
 CKSSYB104K10
 CKSSYB104K10
 CKSSYB104K10

1

2

3

4

5
Circuit Symbol and No.

6
Part No.

7
Circuit Symbol and No.

8
Part No.

C 3037	(A,21,53)	CCSSCH120J50
C 3038	(A,23,53)	CKSSYB103K16
C 3040	(A,19,48)	CCSSCH4R0C50
C 3041	(A,17,57)	CCSSCH120J50
C 3042	(A,17,75) 4.7 uF	CCG1201
C 3043	(A,22,54)	CKSSYB104K10
C 3044	(A,17,65)	CKSSYB103K16
C 3101	(A,114,72) 10 uF	CCG1236
C 3102	(A,112,73)	CKSSYB104K16
C 3103	(A,109,78)	CKSSYB104K10
C 3104	(A,110,76)	CKSSYB104K10
C 3107	(A,107,66) 2.2 uF	CCG1218
C 3109	(A,110,63) 10 uF	CCG1236
C 3110	(A,112,63) 10 uF	CCG1236
C 3111	(A,114,63) 10 uF	CCG1236
C 3201	(A,99,16)	CKSSYB102K50
C 3202	(B,103,15)	CKSRYB105K16
C 3203	(B,100,16) 1 uF	DCH1246
C 3205	(B,101,27)	CKSQYB105K25
C 3206	(B,103,27)	CKSQYB105K25
C 3208	(B,108,16)	CKSRYB104K50
C 3209	(B,100,19)	CKSRYB104K50
C 3210	(B,102,19)	CKSRYB104K50
C 3211	(A,106,8)	CKSSYB224K6R3
C 3212	(A,105,8)	CKSSYB224K6R3
C 3214	(A,104,8) 1 uF	DCH1246
C 3215	(A,107,23)	CKSYB475K16
C 3216	(A,103,9)	CKSRYB682K50
C 3217	(A,98,26) 4.7 uF	CCG1201
C 3218	(B,104,24)	CCSRCH561J50
C 3219	(A,107,14)	CCSSCH101J50
C 3220	(A,96,24)	CKSRYB222K50
C 3221	(A,107,17)	CKSRYB224K16
C 3222	(A,95,18) 4.7 uF	CCG1222
C 3223	(A,95,16) 4.7 uF	CCG1222
C 3224	(A,100,11)	CCSRCH471J50
C 3309	(B,23,30)	CKSSYB102K50
C 3310	(B,22,30)	CKSSYB104K10
C 3311	(B,24,30)	CKSSYB102K50
C 3312	(B,26,30)	CKSSYB104K10
C 3321	(B,33,39)	CKSSYB102K50
C 3322	(B,34,39)	CKSSYB104K16
C 3323	(B,39,42) 10 uF	CCG1236
C 3326	(B,50,40)	CKSSYB102K50
C 3328	(B,30,39)	CKSSYB102K50
C 3329	(B,48,36)	CKSSYB104K10
C 3330	(B,28,43) 10 uF	CCG1192
C 3333	(B,25,40)	CKSSYB104K16
C 3334	(B,27,40) 4.7 uF	CCG1201
C 3336	(B,28,37)	CKSQYB225K16
C 3338	(B,18,37)	CKSQYB334K50
C 3342	(A,28,43)	CKSSYB104K10
C 3343	(A,59,34)	CKSSYB104K10
C 3344	(A,68,34) 10 uF	CCG1236
C 3345	(A,125,14)	CKSSYB104K10
C 3346	(A,129,13)	CKSSYB104K10
C 3347	(A,32,43)	CKSRYB105K16
C 3349	(A,20,41)	CKSSYB104K10
C 3350	(A,22,42)	CKSSYB104K16
C 3351	(A,30,42)	CKSSYB104K16

D

Unit Number : CWN7886

Unit Name : SOC Single Core Unit

MISCELLANEOUS

IC 4001	(A,44,44) IC	MCIMX6S6AVM08AB
IC 4301	(A,55,73) RAM IC	H5TQ4G63AFR-PBC
IC 4302	(A,36,73) RAM IC	H5TQ4G63AFR-PBC
IC 4401	(A,11,61) IC	CWW7906
IC 4402	(B,22,66) IC	PE1029B
IC 4403	(B,25,57) IC	TC7WU04FU
IC 4501	(B,12,40) IC	AK8814VQ
IC 4701	(B,70,63) IC	LTC3612EUDC
IC 4721	(B,69,36) IC	LTC3612EUDC
IC 4741	(B,69,51) IC	LTC3612EUDC
IC 4766	(A,31,18) Regulator IC	MM3479A30P
IC 4791	(A,48,24) IC	TC7SH08FUS1
IC 4792	(A,48,19) IC	PST8429N
IC 4793	(A,46,16) IC	TC7SH08FUS1
IC 4794	(A,43,21) IC	TC7SH08FUS1
IC 4796	(A,24,60) Regulator IC	MM3479A12P
IC 4901	(A,69,27) IC	337S3959
IC 4903	(A,30,26) IC	TC7WBL125AFK
Q 4776	(A,64,24) Chip Transistor	2SB1689
Q 4777	(A,63,30) Transistor	LTC044EEB
Q 4778	(A,28,24) Transistor	LTC044EEB
L 4501	(B,7,50) Inductor	ATL7039
L 4502	(B,9,31) Inductor	ATL7039
L 4701	(A,71,60) Inductor	CTH1500
L 4721	(A,65,35) Inductor	CTH1499
L 4741	(A,70,48) Inductor	CTH1499
L 4901	(B,58,43) Ferrite Bead	CTF1528
L 4909	(A,57,39) Inductor	CTF1787
L 5001	(A,72,23) Chip Ferrite Bead	BTX1046
L 5002	(A,68,20) Chip Ferrite Beads	VTL1183
TH4381	(A,26,73) Thermistor	CCX1084
X 4001	(A,50,29) Resonator 24 MHz	CSS1773
X 4002	(A,45,29) Resonator 32.768 kHz	CSS1807
X 4401	(B,31,56)Crystal Resonator 14.745 6 MHz	CSS1835
X 4901	(B,61,44) VCXO 11.289 6 MHz	CWX4566
CN5001	(B,58,21) CONNECTOR	CKS6499
CN5002	(B,21,21) CONNECTOR	CKS6556

RESISTORS

R 4001	(A,28,55)	RAB4CQ470J
R 4002	(A,28,52)	RAB4CQ470J
R 4003	(A,28,49)	RAB4CQ470J
R 4004	(A,28,47)	RAB4CQ470J
R 4005	(A,28,44)	RAB4CQ470J
R 4006	(A,28,42)	RS1/16SS470J
R 4007	(A,51,32)	RS1/16SS470J
R 4008	(A,5,24)	RS1/16SS0R0J
R 4009	(A,35,60)	RS1/16SS0R0J
R 4011	(A,25,47)	RS1/16SS103J
R 4012	(A,26,53)	RS1/16SS103J
R 4015	(A,46,32)	RS1/16SS102J
R 4017	(A,25,56)	RS1/16SS103J
R 4018	(B,51,42)	RS1/16SS0R0J

	1	2	3	4
	<u>Circuit Symbol and No.</u>	<u>Part No.</u>	<u>Circuit Symbol and No.</u>	<u>Part No.</u>
	R 4022 (B,19,44)	RS1/16SS330J	R 4266 (A,15,20)	RS1/16SS103J
	R 4029 (B,65,12)	RS1/16SS472J	R 4268 (B,24,31)	RS1/16SS103J
A	R 4054 (A,25,53)	RS1/16SS103J	R 4270 (B,51,33)	RS1/16SS103J
	R 4055 (A,25,42)	RS1/16SS103J	R 4271 (B,51,32)	RS1/16SS103J
	R 4056 (A,26,42)	RS1/16SS103J	R 4272 (A,28,41)	RS1/16SS470J
	R 4057 (A,24,45)	RS1/16SS103J	R 4273 (A,39,57)	RS1/16SS2400F
	R 4058 (A,25,45)	RS1/16SS103J	R 4274 (B,57,56)	RS1/16SS1001D
	R 4059 (A,25,45)	RS1/16SS103J	R 4275 (B,55,56)	RS1/16SS1001D
	R 4060 (A,26,45)	RS1/16SS103J	R 4276 (B,34,11)	RS1/16SS103J
	R 4063 (A,24,50)	RS1/16SS103J	R 4277 (B,55,48)	RS1/16SS103J
	R 4064 (A,25,50)	RS1/16SS103J	R 4278 (B,64,30)	RS1/16SS103J
	R 4066 (A,26,50)	RS1/16SS103J	R 4279 (B,25,12)	RS1/16SS103J
	R 4067 (A,24,53)	RS1/16SS103J	R 4280 (B,31,31)	RS1/16SS103J
B	R 4068 (A,25,53)	RS1/16SS103J	R 4281 (B,33,12)	RS1/16SS103J
	R 4070 (A,24,56)	RS1/16SS103J	R 4282 (B,27,11)	RS1/16SS103J
	R 4073 (A,25,47)	RS1/16SS103J	R 4283 (B,30,31)	RS1/16SS103J
	R 4074 (A,26,47)	RS1/16SS103J	R 4284 (B,47,12)	RS1/16SS103J
	R 4081 (A,5,36)	RS1/10SR0R0J	R 4285 (B,61,14)	RS1/16SS103J
	R 4084 (A,5,30)	RS1/16SS102J	R 4286 (A,44,57)	RS1/16SS0R0J
	R 4091 (A,48,29)	RS1/16SS225J	R 4287 (A,43,57)	RS1/16SS0R0J
	R 4095 (A,44,25)	RS1/16SS0R0J	R 4288 (B,66,28)	RS1/16SS103J
	R 4100 (B,21,43)	RS1/16SS470J	R 4289 (B,42,8)	RS1/16SS103J
	R 4101 (B,54,42)	RS1/16SS0R0J	R 4290 (B,52,44)	RS1/16SS0R0J
	R 4103 (B,14,69)	RS1/16SS220J	R 4291 (A,42,57)	RS1/16SS0R0J
C	R 4105 (A,26,56)	RS1/16SS103J	R 4292 (A,41,57)	RS1/16SS0R0J
	R 4111 (B,16,66)	RS1/16SS472J	R 4293 (B,45,11)	RS1/16SS104J
	R 4141 (B,58,84)	RS1/16SS103J	R 4295 (B,27,14)	RS1/16SS103J
	R 4151 (A,30,29)	RS1/16SS0R0J	R 4296 (B,65,10)	RS1/16SS222J
	R 4154 (B,67,28)	RS1/16SS0R0J	R 4297 (B,64,10)	RS1/16SS103J
	R 4155 (B,68,28)	RS1/16SS0R0J	R 4300 (B,25,14)	RS1/16SS103J
	R 4157 (A,31,29)	RS1/16SS0R0J	R 4302 (B,47,11)	RS1/16SS104J
	R 4158 (B,31,39)	RAB4CQ471J	R 4303 (A,22,53)	RS1/16SS101J
	R 4159 (B,31,42)	RAB4CQ471J	R 4307 (B,55,74)	RS1/16SS1200D
	R 4160 (B,32,44)	RAB4CQ471J	R 4308 (B,36,74)	RS1/16SS1200D
	R 4162 (B,32,47)	RAB4CQ471J	R 4309 (B,52,74)	RS1/16SS2400F
D	R 4163 (A,31,41)	RS1/16SS470J	R 4310 (B,33,74)	RS1/16SS2400F
	R 4164 (B,21,44)	RS1/16SS470J	R 4314 (B,58,83)	RS1/16SS102J
	R 4165 (A,30,41)	RS1/16SS470J	R 4315 (B,40,83)	RS1/16SS102J
	R 4186 (A,27,40)	RS1/16SS101J	R 4317 (B,20,5)	RS1/16SS0R0J
	R 4209 (A,25,56)	RS1/16SS103J	R 4381 (A,26,74)	RS1/16SS1802D
	R 4213 (A,25,50)	RS1/16SS103J	R 4401 (A,8,48)	RS1/16SS102J
	R 4216 (A,24,47)	RS1/16SS103J	R 4402 (A,12,73)	RS1/16SS0R0J
	R 4220 (A,22,42)	RS1/16SS103J	R 4403 (A,11,49)	RS1/16SS0R0J
	R 4222 (A,24,42)	RS1/16SS103J	R 4404 (B,29,58)	RS1/16SS102J
	R 4224 (A,22,40)	RS1/16SS103J	R 4405 (B,29,56)	RS1/16SS105J
E	R 4226 (A,25,42)	RS1/16SS103J	R 4407 (B,16,64)	RS1/16SS471J
	R 4228 (A,23,42)	RS1/16SS103J	R 4411 (B,21,58)	RS1/16SS220J
	R 4230 (A,21,40)	RS1/16SS222J	R 4412 (B,25,59)	RS1/16SS102J
	R 4232 (A,21,40)	RS1/16SS222J	R 4413 (A,16,73)	RS1/16SS0R0J
	R 4236 (B,25,40)	RS1/16SS103J	R 4415 (A,27,63)	RS1/16SS0R0J
	R 4237 (B,23,45)	RS1/16SS103J	R 4416 (A,18,58)	RS1/16SS0R0J
	R 4238 (A,57,41)	RS1/16SS0R0J	R 4417 (A,17,74)	RS1/16SS472J
	R 4242 (A,5,26)	RS1/16SS101J	R 4418 (A,17,75)	RS1/16SS472J
	R 4244 (A,21,42)	RS1/16SS103J	R 4420 (A,21,68)	RS1/16SS101J
	R 4260 (B,52,14)	RS1/16SS103J	R 4421 (A,22,64)	RS1/16SS101J
	R 4261 (B,54,14)	RS1/16SS103J	R 4445 (B,19,47)	RAB4CQ101J
F	R 4262 (B,63,10)	RS1/16SS103J	R 4446 (B,19,50)	RAB4CQ101J
	R 4263 (B,25,31)	RS1/16SS103J	R 4447 (B,14,71)	RS1/16SS103J
	R 4264 (B,13,28)	RS1/16SS103J	R 4448 (A,25,70)	RS1/16SS0R0J
	R 4265 (A,14,20)	RS1/16SS103J	R 4449 (B,7,70)	RS1/16SS0R0J

5		6		7		8	
<u>Circuit Symbol and No.</u>		<u>Part No.</u>		<u>Circuit Symbol and No.</u>		<u>Part No.</u>	
R 4450	(B,6,67)	RS1/16SS330J		R 4711	(B,66,64)	RS1/16SS183J	
R 4451	(B,16,65)	RS1/16SS0R0J		R 4713	(B,68,67)	RS1/16SS1002D	
R 4452	(B,14,65)	RS1/16SS561J		R 4714	(B,66,67)	RS1/16SS1503D	A
R 4453	(B,6,64)	RS1/16SS561J		R 4715	(B,66,63)	RS1/16SS1503D	
R 4454	(B,6,66)	RS1/16SS561J		R 4716	(A,65,63)	RS1/16SS0R0J	
R 4455	(B,14,58)	RS1/16SS220J		R 4717	(B,68,60)	RS1/16SS0R0J	
R 4456	(B,6,56)	RS1/16SS220J		R 4721	(A,67,40)	RS1/8SQ0R0J	
R 4457	(B,12,52)	RS1/16SS220J		R 4722	(A,71,31)	RS1/8SQ0R0J	
R 4458	(B,13,52)	RS1/16SS220J		R 4723	(A,65,40)	RS1/8SQ0R0J	
R 4459	(B,15,56)	RS1/16SS220J		R 4724	(B,65,36)	RS1/16SS220J	
R 4460	(B,15,55)	RS1/16SS220J		R 4725	(B,66,40)	RS1/16SS105J	
R 4461	(B,15,53)	RS1/16SS220J		R 4726	(B,66,42)	RS1/16SS105J	
R 4462	(B,14,53)	RS1/16SS220J		R 4727	(B,67,41)	RS1/16SS2702D	
R 4463	(B,28,50)	RS1/16SS0R0J		R 4728	(B,72,38)	RS1/16SS105J	
R 4464	(B,28,49)	RS1/16SS0R0J		R 4729	(B,71,42)	RS1/16SS1503D	B
R 4465	(B,28,49)	RS1/16SS0R0J		R 4730	(B,73,38)	RS1/16SS1002D	
R 4466	(B,28,48)	RS1/16SS0R0J		R 4731	(B,73,40)	RS1/16SS1503D	
R 4467	(B,27,47)	RS1/16SS0R0J		R 4732	(B,68,40)	RS1/16SS1203D	
R 4468	(B,27,46)	RS1/16SS0R0J		R 4733	(A,69,41)	RS1/16SS0R0J	
R 4469	(B,27,45)	RS1/16SS0R0J		R 4734	(B,70,40)	RS1/16SS223J	
R 4470	(B,27,44)	RS1/16SS0R0J		R 4735	(A,72,41)	RS1/10SR102J	
R 4473	(B,25,71)	RS1/16SS0R0J		R 4736	(B,65,38)	RS1/16SS0R0J	
R 4474	(B,23,71)	RS1/16SS0R0J		R 4737	(B,69,41)	RS1/16SS4703D	
R 4475	(B,29,63)	RS1/16SS0R0J		R 4738	(B,63,28)	RS1/16SS103J	
R 4476	(B,29,62)	RS1/16SS0R0J		R 4739	(B,71,45)	RS1/16SS0R0J	C
R 4477	(B,21,71)	RS1/16SS0R0J		R 4741	(A,64,50)	RS1/8SQ0R0J	
R 4479	(B,18,71)	RS1/16SS0R0J		R 4742	(A,73,53)	RS1/8SQ0R0J	
R 4480	(B,22,73)	RS1/16SS0R0J		R 4743	(A,64,48)	RS1/8SQ0R0J	
R 4481	(B,17,63)	RS1/16SS0R0J		R 4744	(B,69,47)	RS1/16SS220J	
R 4502	(B,17,43)	RS1/16SS103J		R 4745	(B,64,48)	RS1/16SS105J	
R 4503	(B,23,35)	RS1/16SS101J		R 4746	(B,63,48)	RS1/16SS105J	
R 4504	(B,22,35)	RS1/16SS101J		R 4747	(B,63,49)	RS1/16SS2702D	
R 4505	(B,18,42)	RS1/16SS103J		R 4749	(B,62,53)	RS1/16SS1503D	
R 4507	(B,18,40)	RS1/16SS221J		R 4750	(B,67,55)	RS1/16SS1002D	
R 4508	(B,18,38)	RS1/16SS221J		R 4751	(B,65,55)	RS1/16SS1503D	
R 4510	(B,12,33)	RS1/16SS6801D		R 4752	(B,65,50)	RS1/16SS1203D	D
R 4511	(B,21,41)	RS1/16SS101J		R 4753	(A,64,52)	RS1/16SS0R0J	
R 4512	(B,6,43)	RS1/16SS103J		R 4754	(B,65,52)	RS1/16SS223J	
R 4513	(B,17,35)	RS1/10SR0R0J		R 4755	(A,63,54)	RS1/10SR102J	
R 4514	(B,17,31)	RS1/10SR0R0J		R 4756	(B,66,48)	RS1/16SS0R0J	
R 4515	(B,17,34)	RS1/10SR0R0J		R 4757	(B,63,51)	RS1/16SS4703D	
R 4525	(B,6,68)	RS1/16SS0R0J		R 4758	(B,72,40)	RS1/16SS0R0J	
R 4529	(B,6,47)	RS1/16SS0R0J		R 4759	(B,61,53)	RS1/16SS0R0J	
R 4540	(B,7,69)	RS1/16SS220J		R 4767	(A,38,18)	RS1/10SR0R0J	
R 4543	(A,15,34)	RS1/16SS101J		R 4768	(B,37,11)	RS1/10SR0R0J	
R 4544	(A,14,34)	RS1/16SS101J		R 4769	(A,26,17)	RS1/16SS0R0J	
R 4545	(A,13,34)	RS1/16SS101J		R 4772	(A,41,13)	RS1/16SS103J	E
R 4546	(A,12,34)	RS1/16SS101J		R 4773	(A,33,7)	RS1/10SR0R0J	
R 4547	(A,9,38)	RS1/16SS101J		R 4775	(A,40,14)	RS1/16SS0R0J	
R 4548	(A,9,37)	RS1/16SS101J		R 4776	(A,64,28)	RS1/10SR332J	
R 4549	(A,9,37)	RS1/16SS101J		R 4777	(A,64,27)	RS1/10SR332J	
R 4550	(A,9,36)	RS1/16SS101J		R 4778	(A,27,19)	RS1/16SS103J	
R 4702	(A,75,65)	RS1/8SQ0R0J		R 4779	(A,28,28)	RS1/16SS103J	
R 4704	(A,66,61)	RS1/8SQ0R0J		R 4780	(A,28,27)	RS1/16SS101J	
R 4705	(B,70,60)	RS1/16SS220J		R 4790	(A,51,24)	RS1/16SS101J	
R 4706	(B,66,60)	RS1/16SS105J		R 4791	(A,47,26)	RS1/16SS101J	
R 4707	(B,65,60)	RS1/16SS105J		R 4792	(A,50,18)	RS1/16SS0R0J	F
R 4708	(B,65,62)	RS1/16SS2201D		R 4793	(A,42,17)	RS1/16SS0R0J	
R 4709	(B,68,66)	RS1/16SS0R0J		R 4794	(A,50,16)	RS1/16SS103J	
R 4710	(B,65,64)	RS1/16SS1003D		R 4795	(A,47,22)	RS1/16SS683J	

	1	2	3	4
	<u>Circuit Symbol and No.</u>	<u>Part No.</u>	<u>Circuit Symbol and No.</u>	<u>Part No.</u>
	R 4798 (A,43,18)	RS1/16SS104J	R 5040 (A,11,22)	RS1/16SS681J
	R 4799 (A,45,22)	RS1/16SS0R0J	R 5041 (A,12,22)	RS1/16SS681J
A	R 4800 (A,45,21)	RS1/16SS0R0J	R 5042 (A,10,22)	RS1/16SS471J
	R 4801 (A,44,14)	RS1/16SS0R0J	R 5043 (A,9,22)	RS1/16SS0R0J
	R 4802 (A,44,24)	RS1/16SS0R0J	R 5044 (A,8,22)	RS1/16SS471J
	R 4803 (A,52,26)	RS1/16SS101J	R 5045 (A,66,21)	RS1/16SS0R0J
	R 4804 (A,51,25)	RS1/16SS103J	R 5046 (B,56,14)	RS1/16SS0R0J
	R 4805 (A,45,26)	RS1/16SS103J	R 5047 (B,58,14)	RS1/16SS680J
	R 4845 (A,66,60)	RS1/8SQ0R0J	R 5048 (B,53,47)	RS1/16SS331J
	R 4901 (A,40,32)	RS1/16SS103J	R 5049 (B,55,47)	RS1/16SS331J
	R 4902 (A,72,27)	RS1/16SS222J	R 5053 (B,9,28)	RS1/16SS560J
	R 4903 (A,38,32)	RS1/16SS470J	R 5054 (B,8,28)	RS1/16SS560J
	R 4904 (A,66,29)	RS1/16SS222J	R 5055 (B,12,28)	RS1/16SS560J
B	R 4905 (A,66,28)	RS1/16SS221J	R 5056 (B,11,28)	RS1/16SS560J
	R 4906 (A,66,27)	RS1/16SS103J	R 5057 (B,10,28)	RS1/16SS560J
	R 4907 (A,66,25)	RS1/16SS0R0J	R 5059 (B,32,14)	RS1/16SS560J
	R 4911 (A,57,38)	RS1/16SS151J	R 5060 (B,33,14)	RS1/16SS560J
	R 4912 (B,63,42)	RS1/16SS0R0J	R 5061 (B,29,14)	RS1/16SS560J
	R 4913 (B,61,42)	RS1/16SS0R0J	R 5062 (B,30,14)	RS1/16SS560J
	R 4914 (A,37,32)	RS1/16SS750J	R 5063 (B,26,12)	RS1/16SS0R0J
	R 4915 (A,41,25)	RS1/16SS0R0J	R 5064 (B,33,14)	RS1/16SS0R0J
	R 4916 (B,36,7)	RS1/16SS0R0J	R 5065 (B,31,14)	RS1/16SS560J
	R 4918 (A,33,26)	RS1/16SS0R0J	R 5090 (B,58,28)	RS1/16SS0R0J
	R 4934 (B,33,50)	RS1/16SS0R0J	R 5099 (B,18,29)	RS1/16SS0R0J
C	R 4937 (A,25,13)	RS1/16SS103J	R 5100 (B,54,48)	RS1/16SS331J
	R 4938 (A,24,13)	RS1/16SS103J	R 5101 (A,56,44)	RS1/16SS680J
	R 4939 (A,23,13)	RS1/16SS103J	R 5102 (A,19,51)	RS1/16SS680J
	R 4941 (B,55,41)	RS1/16SS431J	R 5103 (B,22,29)	RS1/16SS560J
	R 4942 (B,54,45)	RS1/16SS102J	R 5104 (A,21,49)	RS1/16SS680J
	R 4945 (B,25,38)	RS1/16SS103J	R 5105 (A,21,50)	RS1/16SS680J
	R 4946 (A,28,13)	RS1/16SS102J	R 5106 (A,20,51)	RS1/16SS680J
	R 5003 (B,64,28)	RS1/16SS0R0J	R 5107 (B,20,11)	RS1/16SS101J
	R 5004 (B,65,28)	RS1/16SS0R0J	R 5114 (B,28,29)	RS1/16SS101J
	R 5006 (B,23,14)	RS1/16SS0R0J	R 5115 (B,28,31)	RS1/16SS101J
	R 5007 (B,15,14)	RS1/16SS471J	R 5116 (B,31,29)	RS1/16SS0R0J
D	R 5008 (B,28,14)	RS1/16SS151J	R 5117 (B,31,29)	RS1/16SS0R0J
	R 5009 (B,13,14)	RS1/16SS471J	R 5119 (B,25,14)	RS1/16SS101J
	R 5012 (B,43,14)	RS1/16SS0R0J	R 5121 (B,35,29)	RS1/10SR0R0J
	R 5013 (B,44,14)	RS1/16SS0R0J	R 5122 (B,35,30)	RS1/10SR0R0J
	R 5014 (B,45,14)	RS1/16SS0R0J	R 5125 (A,66,23)	RS1/16SS222J
	R 5015 (B,45,14)	RS1/16SS0R0J	R 5126 (A,66,22)	RS1/16SS222J
	R 5016 (B,46,14)	RS1/16SS0R0J	R 5127 (B,63,12)	RS1/16SS182J
	R 5017 (A,42,32)	RS1/16SS0R0J	R 5128 (B,64,12)	RS1/16SS182J
	R 5020 (B,24,14)	RS1/16SS560J	R 5129 (B,22,12)	RS1/16SS101J
	R 5021 (B,24,29)	RS1/16SS0R0J	R 5130 (B,37,32)	RS1/16SS103J
E	R 5022 (B,25,29)	RS1/16SS0R0J	R 5131 (B,38,29)	RS1/16SS103J
	R 5023 (B,25,29)	RS1/16SS101J	R 5132 (A,11,20)	RS1/16SS0R0J
	R 5024 (B,25,31)	RS1/16SS121J	R 5315 (A,17,83)	RS1/16SS0R0J
	R 5025 (B,27,29)	RS1/16SS121J	R 5316 (A,17,84)	RS1/16SS0R0J
	R 5026 (B,64,14)	RS1/16SS121J	R 5317 (A,17,85)	RS1/16SS0R0J
	R 5027 (B,63,14)	RS1/16SS680J	R 5318 (A,17,86)	RS1/16SS0R0J
	R 5028 (B,65,14)	RS1/16SS121J	R 5326 (A,65,85)	RS1/16SS0R0J
	R 5029 (A,17,47)	RS1/16SS102J	R 5327 (A,65,85)	RS1/16SS0R0J
	R 5030 (A,18,53)	RS1/16SS102J	R 5328 (A,65,84)	RS1/16SS0R0J
	R 5031 (A,17,47)	RS1/16SS102J	R 5329 (A,65,83)	RS1/16SS0R0J
	R 5032 (B,16,14)	RS1/16SS560J	R 5351 (A,5,16)	RS1/16SS0R0J
F	R 5033 (B,18,14)	RS1/16SS221J	R 5352 (A,6,16)	RS1/16SS0R0J
	R 5034 (B,60,14)	RS1/16SS681J	R 5353 (A,7,16)	RS1/16SS0R0J
	R 5036 (B,49,14)	RS1/16SS101J	R 5354 (A,8,16)	RS1/16SS0R0J
	R 5037 (B,14,28)	RS1/16SS101J	R 5355 (A,9,16)	RS1/16SS0R0J

5		6		7		8	
<u>Circuit Symbol and No.</u>		<u>Part No.</u>		<u>Circuit Symbol and No.</u>		<u>Part No.</u>	
R 5356	(A,10,16)	RS1/16SS0R0J		C 4053	(B,37,37) 22 uF	CCG1254	
R 5357	(A,11,16)	RS1/16SS0R0J		C 4054	(B,53,34) 10 uF	CCG1192	
R 5358	(A,12,16)	RS1/16SS0R0J		C 4055	(B,51,36)	CKSSYB104K10	
R 5359	(A,12,16)	RS1/16SS0R0J		C 4056	(A,37,15) 10 uF	CCG1192	A
R 5360	(A,13,16)	RS1/16SS0R0J		C 4057	(B,36,50) 10 uF	CCG1192	
R 5361	(A,14,16)	RS1/16SS0R0J		C 4058	(B,39,47)	CKSSYB104K10	
R 5362	(A,15,16)	RS1/16SS0R0J		C 4059	(B,48,49)	CKSSYB104K10	
R 5376	(A,60,16)	RS1/16SS0R0J		C 4062	(B,57,55)	CKSSYB104K10	
R 5377	(A,59,16)	RS1/16SS0R0J		C 4063	(B,55,55)	CKSSYB104K10	
R 5378	(A,58,16)	RS1/16SS0R0J		C 4064	(B,45,37) 10 uF	CCG1192	
R 5379	(A,57,16)	RS1/16SS0R0J		C 4065	(B,38,40)	CKSSYB104K10	
				C 4066	(B,49,41)	CKSSYB104K10	
				C 4067	(B,49,39)	CKSSYB104K10	
				C 4068	(B,41,40)	CKSSYB104K10	
				C 4069	(B,42,43) 1 uF	DCH1246	B
				C 4070	(B,46,38)	CKSSYB104K10	
				C 4071	(B,47,35)	CKSSYB104K10	
				C 4072	(B,40,33) 10 uF	CCG1192	
				C 4073	(B,45,32) 10 uF	CCG1192	
				C 4075	(B,42,37)	CKSSYB104K10	
				C 4076	(B,36,42) 10 uF	CCG1192	
				C 4077	(B,54,50) 10 uF	CCG1192	
				C 4078	(B,49,37)	CKSSYB104K10	
				C 4079	(A,44,26)	CCSSCH101J50	
				C 4080	(B,53,52)	CKSSYB104K10	C
				C 4087	(B,44,39) 22 uF	DCH1256	
				C 4301	(B,60,67)	CKSSYB104K10	
				C 4302	(A,60,67)	CKSSYB104K10	
				C 4303	(B,52,64)	CKSSYB104K10	
				C 4304	(B,52,66)	CKSSYB104K10	
				C 4305	(B,51,68)	CKSSYB104K10	
				C 4306	(A,50,68)	CKSSYB104K10	
				C 4307	(A,50,70)	CKSSYB104K10	
				C 4308	(A,50,72)	CKSSYB104K10	
				C 4309	(B,53,68) 4.7 uF	CCG1201	
				C 4310	(B,53,71)	CKSSYB104K10	D
				C 4311	(A,60,69)	CKSSYB104K10	
				C 4312	(B,59,71)	CKSSYB104K10	
				C 4313	(B,57,72)	CKSSYB104K10	
				C 4314	(A,60,76)	CKSSYB104K10	
				C 4315	(A,60,78)	CKSSYB104K10	
				C 4316	(B,60,78)	CKSSYB104K10	
				C 4317	(B,59,78) 4.7 uF	CCG1201	
				C 4318	(A,50,76)	CKSSYB104K10	
				C 4319	(B,51,76)	CKSSYB104K10	
				C 4320	(A,50,79)	CKSSYB104K10	
				C 4321	(B,60,69)	CKSSYB104K10	E
				C 4322	(B,60,71)	CKSSYB104K10	
				C 4323	(B,57,74)	CKSSYB104K10	
				C 4324	(B,60,76)	CKSSYB104K10	
				C 4325	(A,42,67)	CKSSYB104K10	
				C 4326	(B,41,67)	CKSSYB104K10	
				C 4327	(B,34,64)	CKSSYB104K10	
				C 4328	(B,34,65)	CKSSYB104K10	
				C 4329	(A,31,68)	CKSSYB104K10	
				C 4330	(B,31,68)	CKSSYB104K10	
				C 4331	(A,31,70)	CKSSYB104K10	
				C 4332	(A,31,72)	CKSSYB104K10	F
				C 4333	(B,29,70) 4.7 uF	CCG1201	
				C 4334	(B,34,72)	CKSSYB104K10	

CAPACITORS

	1	2	3	4
	<u>Circuit Symbol and No.</u>	<u>Part No.</u>	<u>Circuit Symbol and No.</u>	<u>Part No.</u>
	C 4335 (A,42,69)	CKSSYB104K10	C 4437 (A,23,64)	CKSSYB104K10
	C 4336 (A,42,71)	CKSSYB104K10	C 4438 (A,25,64) 10 uF	CCG1192
	C 4337 (B,39,72)	CKSSYB104K10	C 4439 (B,27,60)	CKSSYB103K16
A	C 4338 (B,51,70)	CKSSYB104K10	C 4501 (B,12,46)	CKSSYB104K10
	C 4339 (B,51,72)	CKSSYB104K10	C 4502 (B,6,41)	CKSSYB104K10
	C 4340 (A,44,72)	CKSSYB104K10	C 4503 (B,5,39)	CKSSYB104K10
	C 4341 (B,53,76)	CKSSYB104K10	C 4504 (B,12,34)	CKSSYB103K16
	C 4342 (B,51,79)	CKSSYB104K10	C 4505 (B,15,34)	CKSSYB103K16
	C 4343 (B,41,69)	CKSSYB104K10	C 4506 (B,14,32) 10 uF	CCG1192
	C 4344 (B,40,71)	CKSSYB104K10	C 4507 (B,14,33)	CKSSYB103K16
	C 4345 (B,34,76)	CKSSYB104K10	C 4508 (B,19,38)	CKSSYB103K16
	C 4346 (B,31,76)	CKSSYB104K10	C 4509 (B,9,33) 10 uF	CCG1192
	C 4347 (A,31,76)	CKSSYB104K10	C 4510 (B,16,45)	CKSSYB102K50
	C 4348 (A,31,78)	CKSSYB104K10	C 4511 (B,7,45) 10 uF	CCG1192
B	C 4349 (A,42,76)	CKSSYB104K10	C 4516 (B,18,41)	CCSSCH101J50
	C 4350 (A,42,78)	CKSSYB104K10	C 4704 (B,68,59)	CKSSYB105K10
	C 4351 (B,41,78)	CKSSYB104K10	C 4706 (B,66,65)	CCSSCH470J50
	C 4352 (B,39,77) 4.7 uF	CCG1201	C 4707 (B,65,65)	CKSSYB471K50
	C 4353 (A,62,72)	CKSSYB104K10	C 4708 (A,72,65) 47 uF	CCG1229
	C 4354 (B,41,76)	CKSSYB104K10	C 4709 (A,69,65) 100 uF	CCG1232
	C 4355 (B,31,70)	CKSSYB104K10	C 4711 (B,65,63)	CCSSCH220J50
	C 4356 (B,52,76)	CKSSYB104K10	C 4712 (B,74,64)	CKSSYB103K16
	C 4357 (B,40,82)	CKSSYB103K16	C 4722 (B,64,38)	CKSSYB105K10
	C 4358 (B,58,82)	CKSSYB103K16	C 4723 (B,72,40)	CKSSYB103K16
	C 4361 (B,31,72)	CKSSYB104K10	C 4724 (B,71,40)	CCSSCH470J50
C	C 4362 (B,34,73)	CKSSYB104K10	C 4725 (B,71,41)	CKSSYB471K50
	C 4363 (B,31,78)	CKSSYB104K10	C 4726 (A,70,34) 47 uF	CCG1229
	C 4364 (B,39,74)	CKSSYB104K10	C 4727 (A,71,37) 100 uF	CCG1232
	C 4381 (A,27,74)	CKSSYB104K10	C 4729 (B,68,41)	CCSSCH220J50
	C 4382 (A,26,72)	CKSSYB104K10	C 4730 (B,69,32)	CKSSYB103K16
	C 4401 (A,10,49)	CKSSYB471K50	C 4742 (B,66,47)	CKSSYB105K10
	C 4402 (A,6,72)	CKSSYB104K10	C 4744 (B,65,53)	CCSSCH470J50
	C 4403 (A,10,72)	CKSSYB103K16	C 4745 (B,63,53)	CKSSYB471K50
	C 4404 (B,31,53)	CCSSCH8R0D50	C 4746 (A,71,53) 47 uF	CCG1229
	C 4405 (B,30,58)	CCSSCH8R0D50	C 4747 (A,68,53) 100 uF	CCG1232
D	C 4406 (B,23,59)	CKSSYB103K16	C 4749 (B,63,50)	CCSSCH220J50
	C 4412 (A,23,66)	CKSSYB103K16	C 4750 (B,72,52)	CKSSYB103K16
	C 4413 (A,20,69)	CKSSYB103K16	C 4766 (A,36,18) 4.7 uF	CCG1201
	C 4414 (A,20,66)	CKSSYB103K16	C 4767 (A,34,18) 4.7 uF	CCG1201
	C 4415 (A,21,65)	CKSSYB103K16	C 4768 (A,27,17)	CKSSYB473K16
	C 4416 (A,21,68)	CKSSYB103K16	C 4776 (A,66,24)	CKSSYB104K10
	C 4417 (A,20,64)	CKSSYB103K16	C 4778 (A,28,26)	CKSSYB473K16
	C 4418 (A,18,64)	CKSSYB103K16	C 4790 (A,48,23)	CCSSCH101J50
	C 4419 (A,18,65)	CKSSYB103K16	C 4791 (A,46,24)	CKSSYB104K10
	C 4420 (A,18,66)	CKSSYB103K16	C 4792 (A,45,19)	CKSSYB104K10
	C 4421 (A,18,67)	CKSSYB103K16	C 4793 (A,50,20)	CKSSYB222K50
E	C 4422 (A,20,68)	CKSSYB103K16	C 4794 (A,43,16)	CKSSYB104K10
	C 4423 (A,27,66)	CKSSYB103K16	C 4796 (A,20,60) 4.7 uF	CCG1201
	C 4424 (B,27,66)	CKSSYB103K16	C 4797 (A,21,57) 4.7 uF	CCG1201
	C 4425 (A,26,68)	CKSSYB103K16	C 4798 (A,44,23)	CKSSYB104K10
	C 4426 (A,19,68)	CKSSYB103K16	C 4799 (A,50,26)	CCSSCH101J50
	C 4427 (A,18,61)	CKSSYB104K10	C 4800 (A,28,61)	CKSSYB473K16
	C 4428 (A,18,60) 1 uF	DCH1246	C 4901 (A,41,24) 1 uF	DCH1246
	C 4429 (A,27,64) 1 uF	DCH1246	C 4902 (B,59,44)	CKSSYB104K10
	C 4430 (A,27,65)	CKSSYB104K10	C 4903 (A,68,25)	CKSSYB104K10
	C 4431 (A,18,61)	CKSSYB103K16	C 4904 (A,66,26)	CKSSYB102K50
F	C 4432 (A,27,66)	CKSSYB103K16	C 4914 (B,60,46)	CKSSYB103K16
	C 4433 (B,27,59)	CKSSYB471K50	C 4915 (A,32,26)	CKSSYB104K10
	C 4435 (A,23,68)	CKSSYB104K10	C 4933 (A,57,36)	CCSSCH101J50
	C 4436 (A,24,68) 10 uF	CCG1192	C 5001 (A,74,22) 22 uF	DCH1256

5 **Circuit Symbol and No.**

6 **Part No.**

C 5003 (A,68,17) 22 uF
C 5007 (B,41,12)

DCH1256
CKSRYB102K50



Unit Number : CXX6936

Unit Name : Key Unit (Service)

MISCELLANEOUS

D 3651 (B,10,89) LED
CN3651 (A,7,39) Connector

SMLVN6RGB2UK(B)
CKS6063

RESISTORS

R 3660 (A,7,83)
R 3661 (A,6,83)
R 3662 (A,5,83)

RS1/16SS0R0J
RS1/16SS0R0J
RS1/16SS0R0J