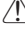

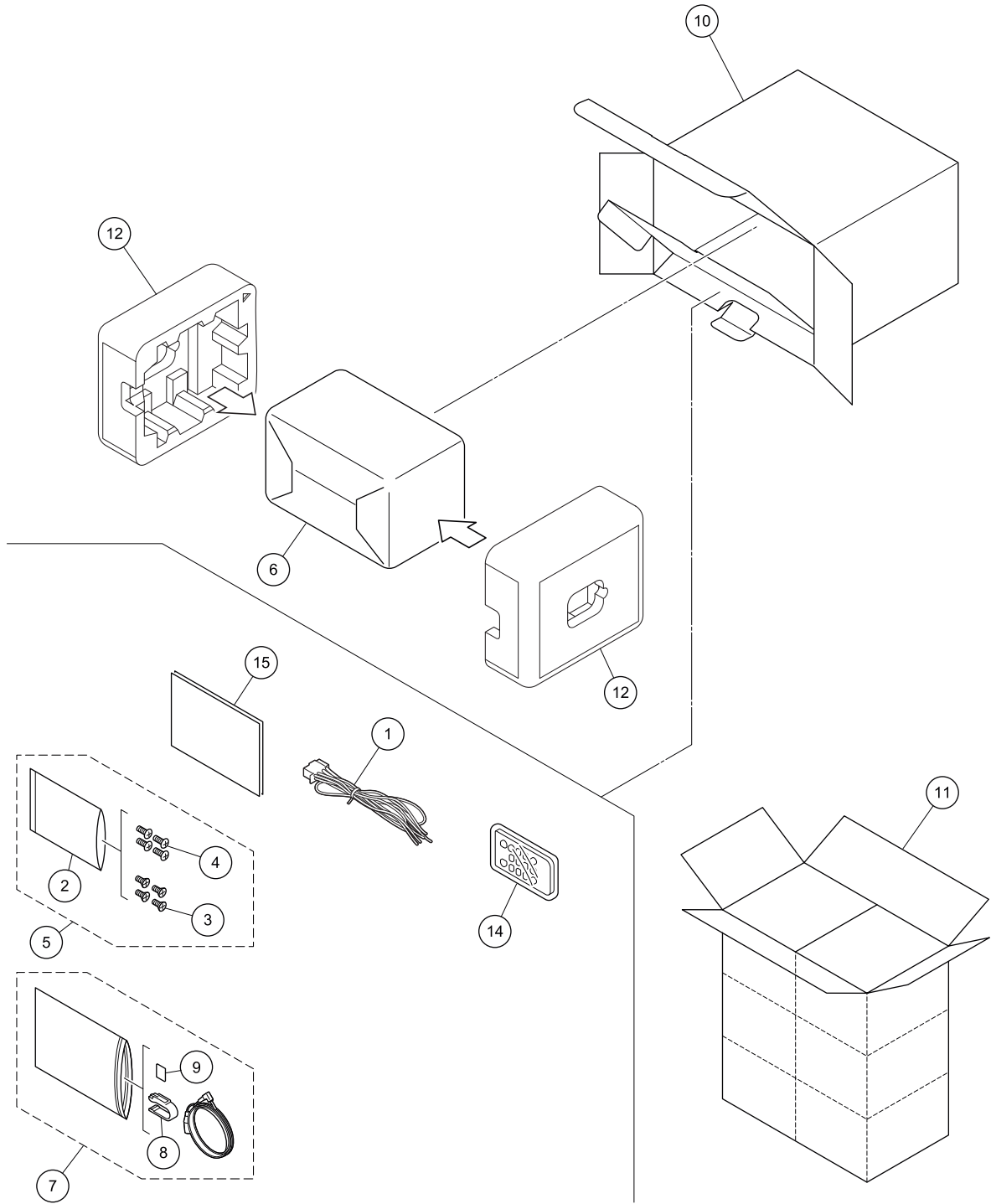


# 9. EXPLODED VIEWS AND PARTS LIST

- NOTES :
- Parts marked by " \* " are generally unavailable because they are not in our Master Spare Parts List.
  - The  mark found on some component parts indicates the importance of the safety factor of the part. Therefore, when replacing, be sure to use parts of identical designation.
  - Screw adjacent to  mark on the product are used for disassembly.
  - For the applying amount of lubricants or glue, follow the instructions in this manual.  
(In the case of no amount instructions, apply as you think it appropriate.)

## 9.1 PACKING SECTION



**(1) PACKING SECTION PARTS LIST**

<u>Mark No.</u>	<u>Description</u>	<u>Part No.</u>	<u>Mark No.</u>	<u>Description</u>	<u>Part No.</u>
1	Cord Assy	CDP1484	11	Contain Box	QHL4132
* 2	Polyethylene Bag	CEG1160	12	Protector	QHP3068
3	Screw	CBA2383	13	•••••	
4	Screw	CBA2384	14	Card Remote Control Unit	CXE9605
5	Accessory Assy	QEA3339	15-1	Quick Start Guide	QRD3536
6	Cover	QEG3007	* 15-2	Web IM	See Contents of Web IM (3)
7	Microphone Assy	CPM1109	* 15-3	Warranty Card	QRY3001
8	Holder	CZN7192			
9	Cushion	CZN7193			
10	Unit Box	QHG4132			

**Owner's Manual, Installation Manual**

<b>Part No.</b>	<b>Language</b>
QRD3536	English, French, Spanish(Espanol)

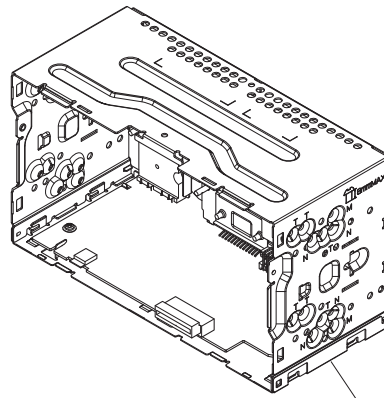
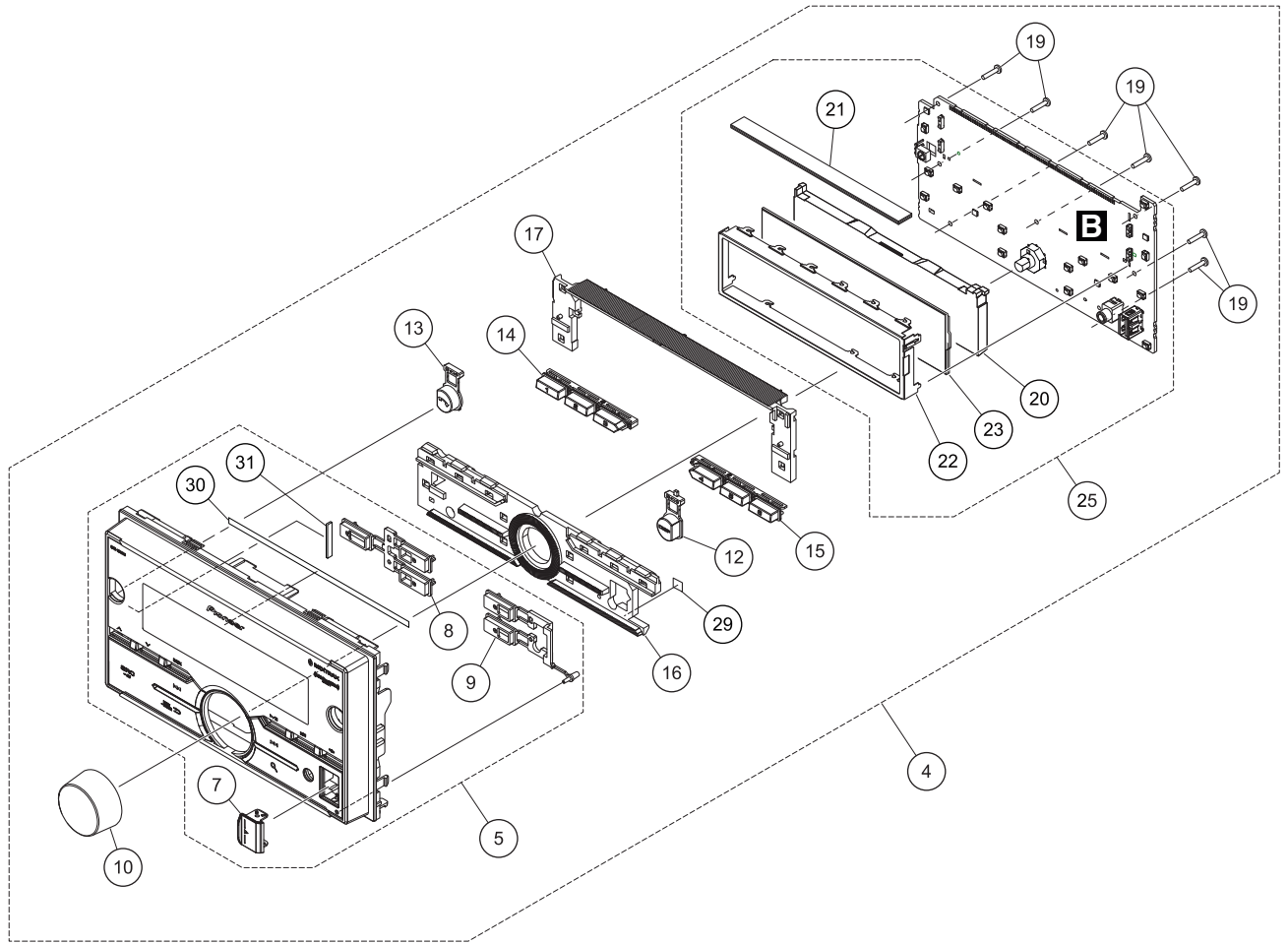
**(3) CONTENTS OF WEB IM**

<b>Part No.</b>	<b>Language</b>
*QRI3030	English, French, Spanish(Espanol)

All operation manuals are supplied in PDF files by the WEB. No printed papers are available.

5 6 7 8

## 9.2 EXTERIOR (1) SECTION



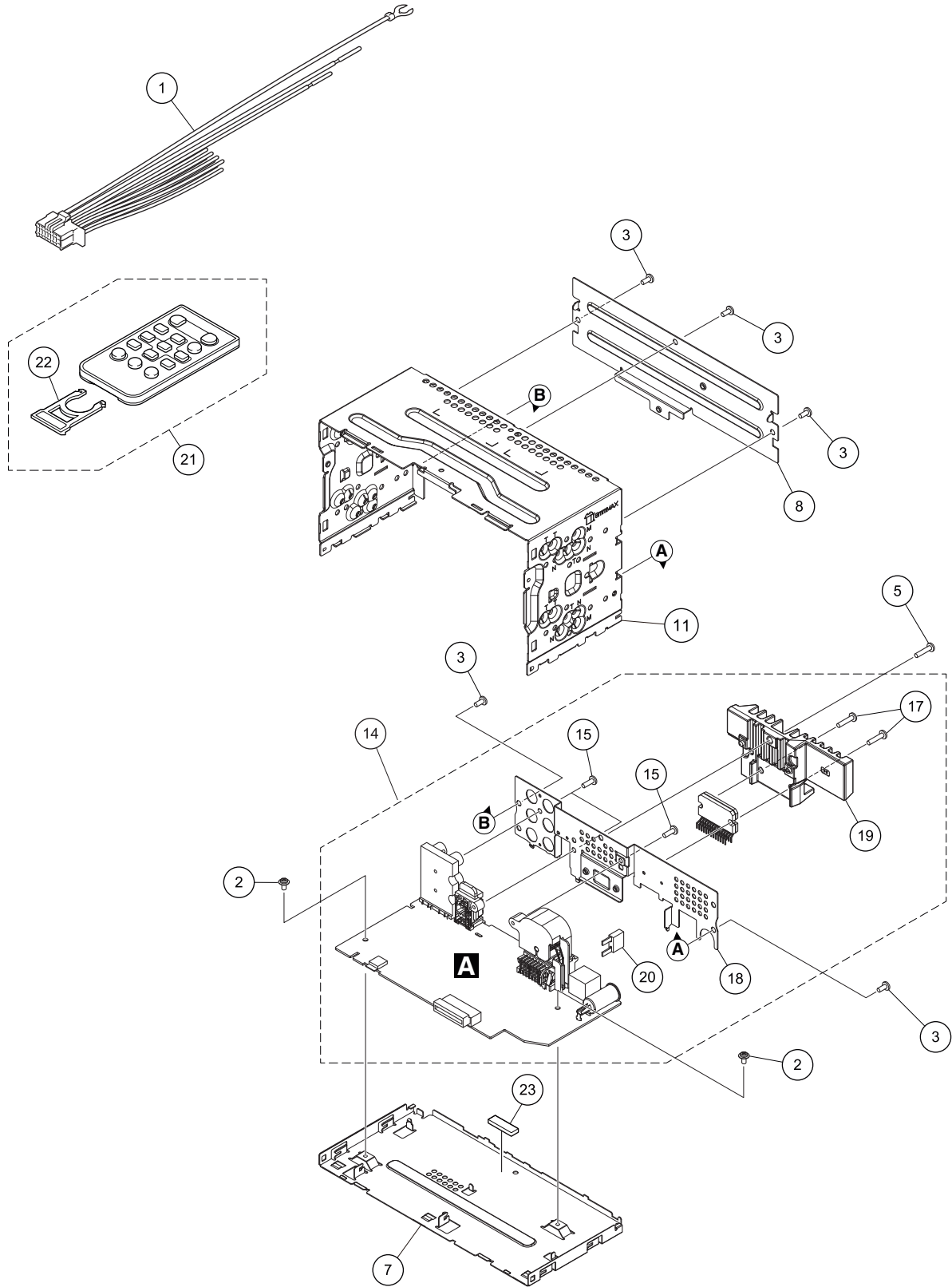
Refer to "EXTERIOR (2)" SECTION.

(1) EXTERIOR (1) SECTION PARTS LIST

Mark No.	Description	Part No.
	1 .....	
A	2 .....	
	3 .....	
	4 Grille Assy	QXA5220
	5 Grille Unit	QXA5210
	6 .....	
*	7 Door	QAT3032
*	8 Button	QAC3235
*	9 Button	QAC3236
	10 Knob Unit	QXA4278
B	11 .....	
	12 Button(DISP)	QAC3231
	13 Button(PHONE)	QAC3232
	14 Button(1-3)	QAC3233
	15 Button(4-6)	QAC3234
	16 Lighting Conductor	QNV3122
	17 Lighting Conductor	QNV3124
	18 .....	
	19 Screw	BPZ20P100FTC
C	20 Lighting Conductor	QNV3123
	21 Rubber Connector	QNV3125
	22 Holder	QNC3121
	23 Segment LCD (V1801)	CAW2058
	24 .....	
	25 Keyboard Unit	QWM4651
	26 .....	
	27 .....	
	28 .....	
D	29 Sheet	QNM3145
*	30 Sheet	QNM3149
*	31 Cushion	QNM3152

5 6 7 8

# 9.3 EXTERIOR (2) SECTION



(1) EXTERIOR (2) SECTION PARTS LIST

<u>Mark No.</u>	<u>Description</u>	<u>Part No.</u>
1	Cord Assy	CDP1484
2	Screw	ASZ26P050FTC
3	Screw	BSZ26P060FTC
4	.....	
5	Screw	BSZ26P120FTC
6	.....	
7	Case	QNB3054
8	Holder	QNC3162
9	.....	
10	.....	
11	Chassis	QNA3038
12	.....	
13	.....	
14	Tuner Amp Unit	QWM4611
15	Screw	BPZ26P080FTC
16	.....	
17	Screw	BSZ26P120FTC
18	Holder	QNC3159
19	Heat Sink	QNR3010
20	Fuse(10 A)	YEK5001
21	Card Remote Control Unit	CXE9605
22	Cover	CNU3681
23	Heat Cond Sheet	QNM3130

# 12. ELECTRICAL PARTS LIST

**NOTE:**

- Parts whose parts numbers are omitted are subject to being not supplied.
- The part numbers shown below indicate chip components.

*Chip Resistor*

*RS1/○S○○○○J,RS1/○○S○○○○J*

*Chip Capacitor (except for CQS.....)*

*CKS....., CCS....., CSZS.....*

- Parts marked by " \* " are generally unavailable because they are not in our Master Spare Parts List.
- The ⚠ mark found on some component parts indicates the importance of the safety factor of the part. Therefore, when replacing, be sure to use parts of identical designation.
- The expression of the unit in this manual is shown by u instead of μ. Please do not make a mistake.

<u>Circuit Symbol and No.</u>	<u>Part No.</u>	<u>Circuit Symbol and No.</u>	<u>Part No.</u>
<b>Unit Number: QWM4611</b>		Q 1101	Transistor EMD52
<b>Unit Name : Tuner Amp Unit</b>		Q 1102	Transistor ISA1602AM1
<b>Unit Number: QWM4651</b>		Q 1241	Transistor IMH23
<b>Unit Name : Keyboard Unit</b>		Q 1242	Transistor IMH23
		Q 1243	Transistor IMH23
		D 101	Diode D1F60-5053
		D 102	Diode D1F60-5053
		D 111	Diode DZ2J068M0
		D 121	Rectifier Diode DA2J101
		D 141	Diode DZ2J075M0
		D 201	Diode RR264MM-400TF
		D 202	Diode DZ2J056M0
		D 221	Schottky Diode RB751SM-40
		D 222	Diode RB056L-40
		D 261	Diode DZ2J062M0
		D 281	Diode DZ2J091M0
		D 291	Schottky Diode RB551VM-30
		D 301	Diode RB060M-30
		D 501	Schottky Diode RB751SM-40
		D 502	Schottky Diode RB751SM-40
		D 506	Diode DZ2J036M0
		D 507	Diode DZ2J036M0
		D 513	Diode DZ2J051M0
		D 584	Diode DZ2J180M0
		D 1102	Diode RR264MM-400TF
		D 1103	Schottky Diode RB751SM-40
		D 1201	Diode DZ2S068C
		D 1204	Diode DZ2J180M0
		D 1205	Diode DZ2J180M0
		D 1206	Diode DZ2S068C
		D 1207	Diode DZ2S068C
		D 1208	Diode DZ2S068C
		D 1209	Diode DZ2S068C
		D 1210	Diode DZ2S068C
		L 101	Choke Coil CTH1620
		L 221	SMD SPL Inductor CTH1584
		L 271	Inductor CTF1736
		L 291	Choke Coil 22 uH CTH1561
		L 301	SMD SPL Inductor CTH1584
		L 502	Inductor CTF1645
		L 557	Chip Beads VTL1133
		L 711	Chip Beads VTL1133
		L 854	Inductor LCMAR27J1608
IC 201	Regulator IC	NJW4184U2-33A	
IC 211	Regulator IC	MM3479A33P	
IC 216	Regulator IC	MM3479A12P	
IC 221	DC/DC Converter IC	KBD9876EFJ	
IC 241	Regulator IC	MM3571A33P	
IC 291	DC/DC Converter IC	NJW4132U2-A	
IC 301	DC/DC Converter IC	MM3630BR	
IC 501	Microprocessor IC	STA1080	
IC 502	IC	S-80827CNMC-B8M	
IC 503	Logic IC	TC7SET08FUS3	
IC 504	IC	TC7SH126FUS1	
IC 701	IC	337S3959	
IC 711	RAM IC	M12L128168A-5TG2N	
IC 731	ROM IC	M95512-RMN6P	
IC 741	Flash ROM Unit	QVQ1019	
IC 742	IC	MX25L1636EM2I-08G	
IC 761	E-VOL System LSI	BD37068FV	
IC 851	Tuner IC	TEF6686HN-V102	
IC 1101	Power Amp IC	TCB501HQ	
IC 1102	Logic IC	TC7SH32FUS2	
Q 111	Bipolar Transistor	LSCR523UB	
Q 121	Resistor Built-in Transistor	LTC014EEB	
Q 141	Bipolar Transistor	LSCR523UB	
Q 251	Transistor	ISA1602AM1	
Q 252	Resistor Built-in Transistor	LTC043EEB	
Q 261	Transistor	2SCR573DG	
Q 262	Transistor	EMD52	
Q 271	Transistor	2SAR502UB	
Q 272	Resistor Built-in Transistor	LTC023YEB	
Q 281	Transistor	2SCR573DG	
Q 282	Transistor	EMD52	
Q 701	Bipolar Transistor	LSAR523UB	

**A**

**Unit Number: QWM4611**  
**Unit Name : Tuner Amp Unit**

**MISCELLANEOUS**

**Circuit Symbol and No.****Part No.****Circuit Symbol and No.****Part No.**

L 855	Inductor	CTF1786	R 304		RS1/16SS273J
L 856	Inductor	CTF1389			
L 860	Inductor	LCYC150K1608	R 305		RS1/16SS3001D
L 951	Inductor	CTF1786	R 306		RS1/16SS1602D
L 1201	Inductor	CTF1713	R 308		RS1/16SS5600D
			R 309		RS1/16SS473J
			R 310		RS1/16SS304J
L 1276	Chip Beads	VTL1133			
L 1277	Chip Beads	VTL1133			
L 1292	Chip Beads	VTL1126	R 311	0.030 ohm	CCN1322
L 1293	Chip Beads	VTL1126	R 314		RS1/4SA331J
L 1294	Chip Beads	VTL1126	R 316		RS1/16SS560J
			R 317		RS1/16SS0R0J
			R 433		RS1/16SS0R0J
L 1295	Chip Beads	VTL1126			
L 1296	Chip Beads	VTL1126			
L 1297	Chip Beads	VTL1126	R 434		RS1/16SS0R0J
T 851	Variable Coil	CTC1215	R 444		RS1/16SS0R0J
X 501	Resonator 24 MHz	CSS1773	R 501		RS1/16SS222J
			R 502		RS1/16SS0R0J
			R 503		RS1/16SS221J
X 502	Resonator 32.768 kHz	CSS1807			
X 851	Crystal Resonator	CSS1868			
P 852	Surge Absorber	IMSA-6803-01Y900	R 506		RS1/16SS473J
P 1231	Poly Switch	FSMD110-24R	R 507		RS1/16SS473J
P 1243	Poly Switch	FSMD075-24R	R 508		RS1/16SS473J
			R 509		RS1/16SS473J
			R 510		RS1/16SS473J
P 1276	Poly Switch	FSMD075-24R			
VA1201	SMD Varistor	MLV0402ES012V0010N			
VA1202	SMD Varistor	MLV0402ES012V0010N	R 511		RS1/16SS473J
U 951	BT Module	CWX4751	R 512		RS1/16SS0R0J
CN1201	Connector	CKS6452	R 513		RS1/16SS222J
			R 514		RS1/16SS101J
			R 515		RS1/16SS103J
JA101	Plug	CKM1624			
JA851	Antenna Jack	CKX1104			
JA1231	Connector	CKS3806	R 516		RS1/16SS101J
JA1241	Jack	CKB1113	R 517		RS1/16SS103J
JA1276	Jack	CKN1103	R 518		RS1/16SS472J
			R 519		RS1/16SS271J
			R 520		RS1/16SS101J

**RESISTORS**

R 111		RS1/16SS223J			
R 112		RS1/16SS473J	R 521		RS1/16SS473J
R 113		RS1/16SS682J	R 522		RS1/16SS0R0J
R 114		RS1/4SA102J	R 524		RS1/16SS3001D
R 121		RS1/16SS103J	R 525		RS1/16SS103J
			R 526		RS1/16SS1213F
R 123		RS1/4SA102J			
R 141		RS1/16SS104J	R 527		RS1/16SS101J
R 142		RS1/16SS473J	R 528		RS1/16SS222J
R 201		RS1/10SR104J	R 529		RS1/16SS100J
R 202		RS1/16SS102J	R 530		RS1/16SS100J
			R 531		RS1/16SS222J
R 223		RS1/16SS472J			
R 225		RS1/16SS2203D	R 532		RS1/16SS222J
R 226		RS1/16SS6802D	R 533		RS1/10SR103J
R 227		RS1/10SR471J	R 534		RS1/10SR103J
R 228		RS1/10SR103J	R 536		RS1/16SS472J
			R 539		RS1/16SS473J
R 230		RS1/10SR224J			
R 251		RS1/16SS471J	R 540		RS1/16SS222J
R 252		RS1/16SS103J	R 541		RS1/16SS472J
R 255		RS1/10SR0R0J	R 542		RS1/10SR472J
R 261		RS1/10SR123J	R 546		RS1/16SS273J
			R 547		RS1/16SS473J
R 262		RS1/16SS472J			
R 271		RS1/16SS103J	R 548		RS1/16SS102J
R 272		RS1/10SR221J	R 550		RS1/16SS273J
R 281		RS1/10SR152J	R 551		RS1/16SS103J
R 292		RS1/16SS0R0J	R 552		RS1/16SS0R0J
			R 554		RS1/16SS222J
R 293		RS1/16SS2202D			
R 294		RS1/16SS4701D	R 555		RS1/16SS135J
R 295		RS1/16SS4303D	R 556		RS1/16SS102J
R 296		RS1/10SR102J	R 558		RS1/16SS102J

<u>Circuit Symbol and No.</u>	<u>Part No.</u>	<u>Circuit Symbol and No.</u>	<u>Part No.</u>
R 560	RS1/16SS473J	R 660	RS1/16SS101J
R 561	RS1/16SS103J	R 661	RS1/16SS101J
		R 663	RS1/16SS101J
R 562	RS1/16SS0R0J		
R 564	RS1/16SS472J	R 664	RS1/16SS101J
R 565	RS1/16SS0R0J	R 672	RS1/16SS101J
R 566	RAB4CQ103J	R 676	RS1/16SS472J
R 570	RS1/16SS221J	R 677	RS1/16SS472J
		R 678	RS1/16SS472J
R 571	RS1/16SS221J		
R 572	RS1/16SS102J	R 681	RS1/16SS472J
R 573	RS1/16SS473J	R 701	RS1/16SS103J
R 574	RS1/16SS473J	R 702	RS1/16SS472J
R 575	RS1/16SS473J	R 703	RS1/16SS101J
		R 704	RS1/16SS0R0J
R 576	RS1/16SS0R0J		
R 577	RS1/16SS330J	R 705	RS1/16SS222J
R 578	RS1/16SS473J	R 706	RS1/16SS222J
R 579	RS1/16SS473J	R 707	RS1/16SS472J
R 580	RS1/16SS473J	R 708	RS1/16SS272J
		R 709	RS1/16SS473J
R 584	RS1/16SS102J		
R 586	RS1/16SS103J	R 710	RS1/16SS0R0J
R 587	RS1/16SS0R0J	R 714	RAB4CQ121J
R 591	RS1/16SS361J	R 715	RAB4CQ121J
R 592	RS1/16SS101J	R 716	RAB4CQ121J
		R 717	RAB4CQ121J
R 597	RS1/16SS473J		
R 599	RS1/16SS102J	R 718	RAB4CQ121J
R 601	RS1/16SS101J	R 719	RAB4CQ121J
R 602	RS1/16SS101J	R 720	RAB4CQ121J
R 603	RS1/16SS101J	R 721	RAB4CQ121J
		R 722	RAB4CQ121J
R 604	RS1/16SS101J		
R 605	RS1/16SS101J	R 724	RS1/16SS121J
R 611	RS1/16SS472J	R 731	RS1/16SS330J
R 612	RS1/16SS473J	R 732	RS1/16SS330J
R 614	RS1/16SS473J	R 733	RS1/16SS103J
		R 734	RS1/16SS103J
R 615	RS1/16SS103J		
R 616	RS1/10SR472J	R 735	RS1/16SS103J
R 617	RS1/16SS473J	R 736	RS1/16SS330J
R 621	RS1/16SS0R0J	R 737	RS1/16SS330J
R 627	RS1/16SS153J	R 741	RS1/16SS330J
		R 742	RS1/16SS103J
R 628	RS1/16SS153J		
R 629	RS1/16SS472J	R 743	RS1/16SS103J
R 630	RS1/16SS473J	R 744	RS1/16SS330J
R 631	RS1/16SS0R0J	R 745	RS1/16SS330J
R 632	RS1/16SS473J	R 746	RS1/16SS103J
		R 747	RS1/16SS330J
R 633	RS1/16SS472J		
R 634	RS1/16SS473J	R 748	RS1/16SS330J
R 635	RS1/16SS473J	R 749	RS1/16SS330J
R 636	RS1/16SS473J	R 750	RS1/16SS103J
R 637	RS1/16SS221J	R 751	RS1/16SS103J
		R 753	RS1/16SS103J
R 638	RS1/16SS221J		
R 639	RS1/16SS101J	R 761	RS1/10SR221J
R 642	RS1/16SS221J	R 762	RS1/16SS0R0J
R 643	RS1/16SS101J	R 763	RS1/16SS101J
R 644	RS1/16SS473J	R 764	RS1/16SS101J
		R 765	RS1/16SS222J
R 645	RS1/16SS101J		
R 647	RS1/16SS102J	R 767	RS1/16SS104J
R 648	RS1/16SS102J	R 768	RS1/16SS181J
R 651	RS1/16SS102J	R 769	RS1/8SQ0R0J
R 657	RS1/16SS101J	R 770	RS1/8SQ0R0J
		R 771	RS1/8SQ0R0J
R 658	RS1/16SS101J		
R 659	RS1/16SS101J	R 851	RS1/16SS105J

Circuit Symbol and No.Part No.Circuit Symbol and No.Part No.

R 852  
R 853  
R 864  
R 868

RS1/16SS105J  
RS1/16SS391J  
RS1/16SS103J  
RS1/16SS103J

R 1243  
R 1244  
R 1245  
R 1246  
R 1247

RS1/16SS470J  
RS1/16SS470J  
RS1/16SS470J  
RS1/16SS470J  
RS1/16SS223J

R 870  
R 873  
R 874  
R 875  
R 890

RS1/16SS101J  
RS1/16SS472J  
RS1/16SS101J  
RS1/16SS472J  
RS1/16SS0R0J

R 1248  
R 1249  
R 1250  
R 1251  
R 1252

RS1/16SS223J  
RS1/16SS223J  
RS1/16SS223J  
RS1/16SS223J  
RS1/16SS223J

R 951  
R 952  
R 953  
R 954  
R 958

RS1/16SS0R0J  
RS1/16SS221J  
RS1/16SS473J  
RS1/16SS221J  
RS1/16SS221J

R 1253  
R 1255  
R 1278  
R 1280  
R 1281

RS1/16SS0R0J  
RS1/16SS0R0J  
RS1/16SS102J  
RS1/16SS102J  
RS1/16SS101J

R 960  
R 961  
R 1101  
R 1102  
R 1103

RS1/16SS473J  
RS1/16SS473J  
RS1/16SS123J  
RS1/16SS103J  
RS1/16SS221J

R 1282  
R 1284  
R 1285

RS1/16SS101J  
RS1/16SS0R0J  
RS1/16SS0R0J

R 1106  
R 1107  
R 1109  
R 1110  
R 1111

RS1/16SS103J  
RS1/16SS0R0J  
RS1/16SS432J  
RS1/16SS432J  
RS1/16SS432J

C 101  
C 102  
C 111  
C 122  
C 201

CEHAT222M16  
CKSRYB103K50  
CKSRYX104K50  
CKSRYX105K50  
CEHAT332M16

R 1112  
R 1113  
R 1114  
R 1115  
R 1116

RS1/16SS432J  
RS1/16SS272J  
RS1/16SS272J  
RS1/16SS272J  
RS1/16SS272J

C 202  
C 203  
C 204  
C 205  
C 211

CKSRYX104K50  
CKSSYB104K10  
CKSQYX106K10  
CKSYX106K35  
CKSRYX105K16

R 1118  
R 1119  
R 1122  
R 1123  
R 1203

RS1/16SS0R0J  
RS1/4SA0R0J  
RS1/16SS103J  
RS1/16SS102J  
RS1/16SS223J

C 212  
C 213  
C 216  
C 217  
C 218

CKSRYX105K16  
CKSSYB104K10  
CKSRYX105K16  
CKSRYX105K16  
CKSSYB104K10

R 1204  
R 1205  
R 1206  
R 1207  
R 1208

RS1/16SS223J  
RS1/10SR222J  
RS1/10SR221J  
RS1/10SR221J  
RS1/10SR0R0J

C 221  
C 222  
C 223  
C 224  
C 226

CKSYX106K35  
CKSRYX105K50  
CKSRYX104K50  
CKSRYB103K50  
CKSSYB102K50

R 1209  
R 1210  
R 1211  
R 1212  
R 1213

RS1/10SR222J  
RS1/10SR222J  
RS1/10SR222J  
RS1/10SR222J  
RS1/16SS123J

C 227  
C 228  
C 229  
C 230  
C 241

CKSRYX475K6R3  
CKSRYX105K16  
CKSSYX105K10  
CEHVV221M16  
CKSRYB474K16

R 1214  
R 1215  
R 1217  
R 1222  
R 1231

RS1/10SR222J  
RS1/10SR101J  
RS1/16SS0R0J  
RS1/4SA0R0J  
RS1/16SS181J

C 242  
C 244  
C 251  
C 252  
C 261

CKSRYB474K16  
CCSSCH470J50  
CKSRYX105K50  
CKSRYX104K50  
CKSSYB104K10

R 1232  
R 1233  
R 1234  
R 1235  
R 1236

RS1/16SS181J  
RS1/16SS223J  
RS1/16SS223J  
RS1/16SS181J  
RS1/16SS181J

C 262  
C 263  
C 272  
C 274  
C 281

CKSRYX105K16  
CKSSYB104K10  
CKSQYX106K10  
CKSQYX106K10  
CKSRYX105K16

R 1237  
R 1238  
R 1239  
R 1241  
R 1242

RS1/16SS822J  
RS1/16SS471J  
RS1/16SS104J  
RS1/16SS470J  
RS1/16SS470J

C 282  
C 283  
C 291  
C 292  
C 293

10 uF  
10 uF

CKSSYB104K16  
CKSRYB104K16  
CCG1236  
CCG1236  
CKSQYX106K16

<u>Circuit Symbol and No.</u>	<u>Part No.</u>	<u>Circuit Symbol and No.</u>	<u>Part No.</u>
C 294	CCSSCH150J50	C 551	CKSSYB104K10
C 295	CKSRX105K50	C 552	CKSRX475K6R3
C 299	CKSSYB103K25	C 553	CKSQYX106K10
C 301	CKSSYB153K16	C 555	CKSSYB103K16
C 302	CKSSYB222K50	C 556	CKSSYB104K10
C 304	CKSSYB221K50	C 557	CKSSYB104K10
C 305	CKSSYX105K10	C 558	CKSSYB104K10
C 306	CKSRXB104K16	C 559	CKSQYB224K50
C 307	CKSYX226M16	C 560	CKSSYB103K16
C 308	CKSRX225K10	C 565	CCSRCH330J50
C 309	CEHVW101M16	C 566	CCSRCH330J50
C 310	CKSRXB224K16	C 569	CCSSCH101J50
C 311 10 uF	CCG1236	C 573	CCSSCH101J50
C 312	CEHVW101M16	C 574	CCSSCH101J50
C 313 10 uF	CCG1236	C 575	CKSSYB104K10
C 314	CKSRX225K10	C 577	CCSSCH101J50
C 318	CCSSCH470J50	C 580	CKSRXB104K16
C 320	CKSRX475K10	C 586	CCSSCH102J50
C 502	CKSSYB104K10	C 588	CKSSYB104K10
C 503	CKSRX475K6R3	C 590	CKSSYB332K50
C 505	CKSSYB104K10	C 591	CKSSYB332K50
C 506	CKSRX475K6R3	C 592	CKSSYB332K50
C 507	CKSRX475K6R3	C 593	CKSSYB332K50
C 508	CKSSYB104K10	C 595	CKSSYB332K50
C 509	CKSRX475K6R3	C 701	CKSSYB104K10
C 510	CKSSYB104K10	C 702	CKSSYB104K10
C 511	CKSRX475K6R3	C 711	CKSRX475K6R3
C 512	CKSSYB104K10	C 712	CKSSYX105K10
C 513	CKSRX475K6R3	C 713	CKSSYB104K10
C 514	CKSSYB104K10	C 714	CKSSYX105K10
C 517	CKSSYB104K10	C 715	CKSSYX105K10
C 518	CCSSCH100D50	C 716	CKSSYX105K10
C 519	CCSSCH100D50	C 718	CKSSYB104K10
C 520	CKSRX475K6R3	C 719	CKSSYB104K10
C 521	CKSSYB104K10	C 722	CKSSYB104K10
C 522	CKSRX475K6R3	C 731	CKSSYB104K10
C 523	CKSRX475K6R3	C 741	CKSRX225K10
C 524	CKSRX475K6R3	C 742	CKSSYB104K10
C 525	CKSRX106M6R3	C 743	CKSSYB104K10
C 526	CKSSYB103K16	C 744	CKSSYB103K16
C 527	CKSRX106M6R3	C 761	CKSRXB105K10
C 528	CKSSYB103K16	C 762	CKSRXB105K10
C 529	CKSSYB104K10	C 763	CKSRXB105K10
C 530	CKSRX475K6R3	C 764	CKSRXB105K10
C 531	CKSSYX105K10	C 765	CKSRXB105K10
C 532	CKSSYX105K10	C 766	CKSRXB105K10
C 533	CKSRX475K6R3	C 769	CKSRXB105K10
C 534	CKSSYB104K10	C 770	CKSRXB105K10
C 535	CEHVW221M16	C 771	CKSRXB105K10
C 536	CCSSCH101J50	C 772	CKSRXB105K10
C 537	CKSSYB103K16	C 773	CKSRXB105K10
C 538	CKSRX106M6R3	C 774	CCSSCH151J50
C 539	CKSSYB103K16	C 775	CCSSCH151J50
C 540	CKSRX106M6R3	C 776	CKSRX104K50
C 541	CKSSYB222K50	C 777 10 uF	CCG1236
C 542	CKSSYB104K10	C 778	CKSRXB105K10
C 543	CKSSYX105K10	C 779	CKSQYX106K10
C 544	CKSSYB473K16	C 780	CKSRX104K50
C 545	CCSSCH100D50	C 781	CKSRXB105K10
C 546	CCSSCH120J50		

Circuit Symbol and No.Part No.Circuit Symbol and No.Part No.

C 782 CKSRYB105K10  
 C 783 CKSRYB105K10  
 C 784 CKSRYB105K10  
 C 785 CKSRYB105K10  
 C 787 CKSQYX106K16  
 C 788 CKSQYX106K16  
 C 790 CKSQYX106K10  
 C 791 CKSRYB103K50  
 C 853 CCSSCH100D50  
 C 854 CCSSCH471J50  
 C 858 CCSSCH220J50

C 1249  
 C 1250  
 C 1251  
 C 1252  
 C 1276  
 C 1277  
 C 1278

CKSSYB103K16  
 CKSSYB103K16  
 CKSSYB103K16  
 CKSSYB103K16  
 CKSRYB104K16  
 CKSRYB104K16  
 CKSRYB104K16

C 859 CCSSCH331J50  
 C 866 CKSSYB224K6R3  
 C 867 CKSSYB102K50  
 C 870 CCSSCH102J50  
 C 871 CKSSYB104K10

**B****Unit Number: QWM4651****Unit Name : Keyboard Unit**MISCELLANEOUS

C 872 CKSSYB104K10  
 C 874 CCSSCH390J50  
 C 878 CKSSYB152K50  
 C 882 CKSSYX105K10  
 C 891 CKSRYX225K10

IC 1801 Driver IC  
 IC 1802 Driver IC  
 IC 1803 IR RC REC Module  
 Q 1801 Bipolar Transistor  
 Q 1802 Bipolar Transistor

BU97540KV-M  
 BU97540KV-M  
 PNJ4833M  
 LSCR523UB  
 LSCR523UB

C 892 CKSSYB104K10  
 C 893 CKSSYB104K10  
 C 894 CKSRYX475K6R3  
 C 895 CKSRYX105K16  
 C 953 CKSRYB104K16

Q 1803 Bipolar Transistor  
 Q 1804 Bipolar Transistor  
 Q 1805 Bipolar Transistor  
 Q 1806 Bipolar Transistor  
 Q 1807 Bipolar Transistor

LSCR523UB  
 LSCR523UB  
 LSCR523UB  
 LSCR523UB  
 LSCR523UB

C 954 CKSRYB104K16  
 C 1101 CKSRYB474K10  
 C 1102 CKSRYB474K10  
 C 1103 CKSRYB474K10  
 C 1104 CKSRYB474K10

Q 1808 Bipolar Transistor  
 Q 1809 Bipolar Transistor  
 Q 1810 Bipolar Transistor  
 Q 1811 Bipolar Transistor  
 Q 1812 Bipolar Transistor

LSCR523UB  
 LSCR523UB  
 LSCR523UB  
 LSCR523UB  
 LSCR523UB

C 1106 CKSRYB474K10  
 C 1110 CKSQYX106K16  
 C 1111 CKSRYX225K10  
 C 1112 CKSRYX104K50  
 C 1116 CKSRYX104K50

D 1801 LED  
 D 1802 LED  
 D 1803 LED  
 D 1804 LED  
 D 1806 LED

NSSM124-6717  
 NSSM124-6717  
 NSSM124-6717  
 NSSM124-6717  
 MSL0101RGBU

C 1118 CKSSYB104K10  
 C 1119 CKSRYX104K50  
 C 1120 CKSRYX104K50  
 C 1121 CKSRYX106M6R3  
 C 1201 CCSRCH102J50

D 1807 LED  
 D 1809 Diode  
 D 1810 Diode  
 D 1811 LED  
 D 1812 LED

MSL0101RGBU  
 SZESD7351HG  
 SZESD7351HG  
 MSL0101RGBU  
 MSL0101RGBU

C 1202 CKSRYX104K50  
 C 1203 CKSRYB104K16  
 C 1204 CKSRYX105K16  
 C 1205 CCSRCH221J50  
 C 1206 CCSRCH221J50

D 1814 Diode  
 D 1815 LED  
 D 1820 Diode  
 D 1821 Diode  
 L 1803 Inductor

DZ2S068C  
 NSSM124-6717  
 DZ2S068C  
 DZ2S068C  
 CTF1379

C 1207 CKSRYB474K10  
 C 1210 CKSRYX105K16  
 C 1217 CCSSCH121J50  
 C 1231 CKSRYB104K16  
 C 1232 CKSRYX104K50

L 1804 Inductor  
 L 1805 Inductor  
 L 1806 Inductor  
 S 1801 Push Switch  
 S 1802 Push Switch

CTF1379  
 CTF1379  
 CTF1389  
 CSG1155  
 CSG1155

C 1241 CKSQYX106K25  
 C 1242 CKSQYX106K25  
 C 1243 CKSQYX106K25  
 C 1244 CKSQYX106K25  
 C 1245 CKSQYX106K25

S 1803 Push Switch  
 S 1804 Push Switch  
 S 1806 Push Switch  
 S 1807 Push Switch  
 S 1808 Push Switch

CSG1155  
 CSG1155  
 CSG1155  
 CSG1155  
 CSG1155

C 1246 CKSQYX106K25  
 C 1247 CKSSYB103K16  
 C 1248 CKSSYB103K16

S 1809 Push Switch  
 S 1810 Push Switch  
 S 1811 Push Switch

CSG1155  
 CSG1155  
 CSG1155

<u>Circuit Symbol and No.</u>		<u>Part No.</u>	<u>Circuit Symbol and No.</u>		<u>Part No.</u>
S 1812	Push Switch	CSG1155	R 1879		RS1/10SR221J
S 1813	Push Switch	CSG1155			
S 1814	Push Switch	CSG1155	R 1880		RS1/10SR121J
S 1815	Encoder(MULTI-CONTROL)	CSD1168	R 1881		RS1/10SR121J
S 1816	Push Switch	CSG1155	R 1882		RS1/8SQ221J
CN1801	Connector	CKS6451	R 1883		RS1/10SR121J
JA1801	Connector	CKS6443	R 1884		RS1/10SR121J
JA1802	Jack	CKN1090	R 1885		RS1/8SQ221J
V 1801	Segment LCD	CAW2058	R 1886		RS1/10SR0R0J
			R 1887		RS1/10SR0R0J

**RESISTORS**

R 1801	RS1/10SR182J
R 1802	RS1/10SR680J
R 1804	RS1/10SR332J
R 1805	RS1/10SR182J
R 1806	RS1/10SR680J
R 1808	RS1/10SR332J
R 1809	RS1/10SR182J
R 1810	RS1/10SR680J
R 1812	RS1/10SR332J
R 1813	RS1/10SR182J
R 1814	RS1/10SR680J
R 1816	RS1/10SR332J
R 1817	RS1/10SR182J
R 1818	RS1/10SR680J
R 1820	RS1/10SR332J
R 1821	RS1/10SR182J
R 1822	RS1/10SR680J
R 1824	RS1/10SR332J
R 1827	RS1/10SR182J
R 1828	RS1/10SR390J
R 1831	RS1/10SR332J
R 1832	RS1/10SR182J
R 1833	RS1/10SR390J
R 1835	RS1/10SR101J
R 1836	RS1/10SR332J
R 1840	RS1/10SR182J
R 1841	RS1/10SR390J
R 1843	RS1/10SR332J
R 1844	RS1/10SR273J
R 1846	RS1/10SR182J
R 1847	RS1/10SR390J
R 1849	RS1/10SR332J
R 1850	RS1/10SR182J
R 1851	RS1/10SR390J
R 1853	RS1/10SR332J
R 1857	RS1/10SR182J
R 1858	RS1/10SR390J
R 1860	RS1/10SR332J
R 1863	RS1/10SR222J
R 1864	RS1/10SR222J
R 1865	RS1/10SR222J
R 1866	RS1/10SR222J
R 1869	RS1/10SR0R0J
R 1870	RS1/10SR0R0J
R 1871	RS1/10SR0R0J
R 1872	RS1/10SR0R0J
R 1873	RS1/10SR472J
R 1877	RS1/10SR121J
R 1878	RS1/10SR121J

**CAPACITORS**

C 1801	CKSRYB105K10
C 1802	CKSRYB105K10
C 1818	CKSQYX106K10
C 1819	CKSRYB105K10
C 1822	CKSRYB104K16
C 1843	CKSRYX105K16
C 1844	CKSRYX105K16
C 1848	CCSRCH330J50
C 1849	4.7 uF CCG1212
C 1850	CCSRCH330J50
C 1851	CCSRCH330J50