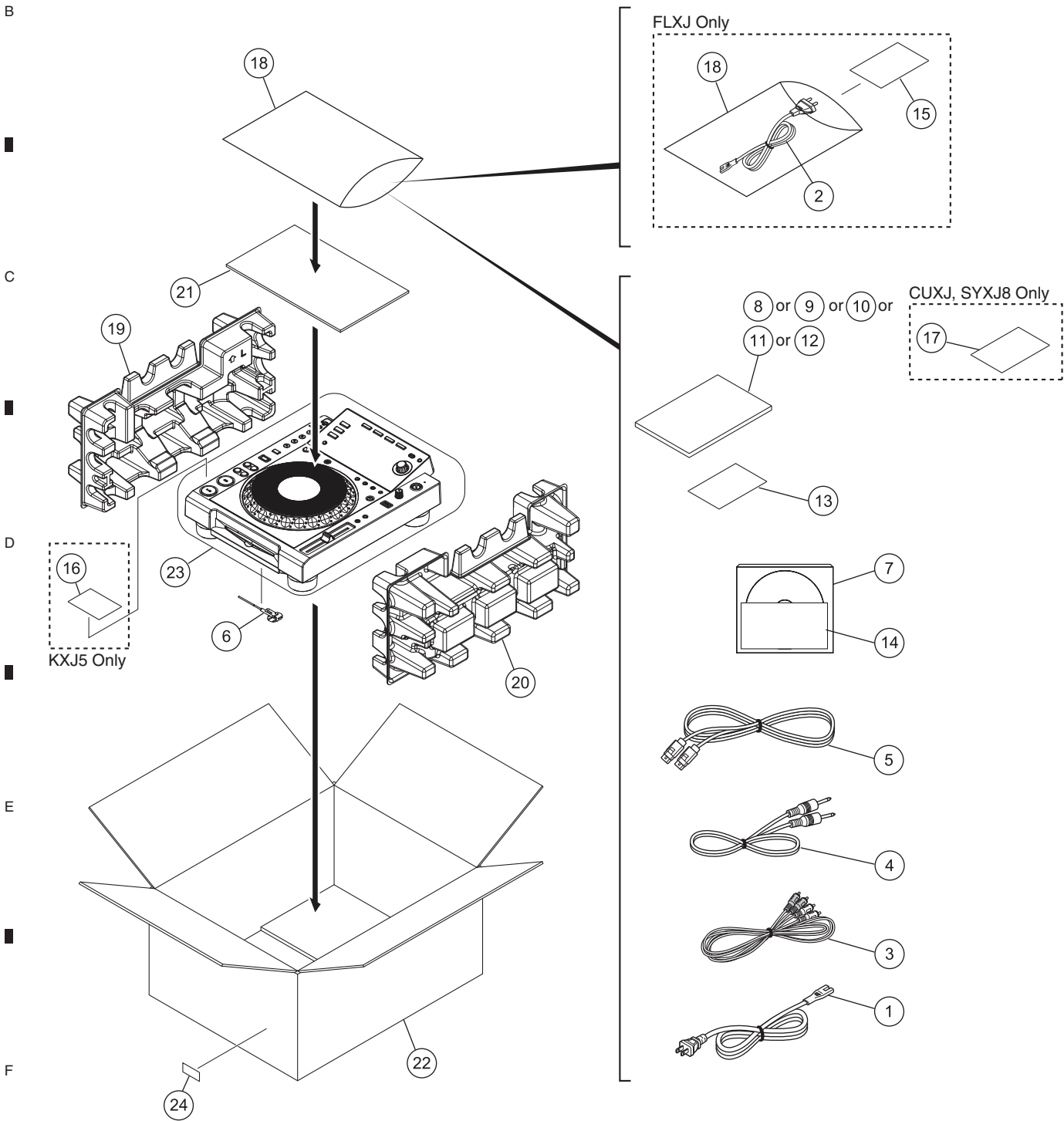


# 9. EXPLODED VIEWS AND PARTS LIST

NOTES: ● Parts marked by "NSP" are generally unavailable because they are not in our Master Spare Parts List.

- The  $\triangle$  mark found on some component parts indicates the importance of the safety factor of the part. Therefore, when replacing, be sure to use parts of identical designation.
- Screws adjacent to  $\nabla$  mark on product are used for disassembly.
- For the applying amount of lubricants or glue, follow the instructions in this manual. (In the case of no amount instructions, apply as you think it appropriate.)

## 9.1 PACKING SECTION



**(1) PACKING SECTION PARTS LIST**

<u>Mark No.</u>	<u>Description</u>	<u>Part No.</u>	<u>Mark No.</u>	<u>Description</u>	<u>Part No.</u>
⚠	1 Power Cable	See Contrast table (2)	16	Recycle Label M	See Contrast table (2)
⚠	2 Power Cable	See Contrast table (2)	NSP	17 Warranty Card	See Contrast table (2)
	3 Audio Cable (L = 1.5 m)	XDE3045	NSP	18 Polyethylene Bag (0.06 x 230 x 340)	AHG7117
	4 Control Cord (L = 1 m)	XDE3063		19 Pad L	DHA1792
	5 LAN Cable (1M UTP)	DDE1130		20 Pad R	DHA1793
	6 Disc Force Eject Pin	DEX1008		21 Accessory Pad	DHA1803
	7 CD-ROM (rekord box)	DXX2598		22 Packing Case	See Contrast table (2)
	8 Operating Instructions	See Contrast table (2)		23 Packing Sheet	RHC1023
	9 Operating Instructions	See Contrast table (2)		24 Serial Label	VRW1629
	10 Operating Instructions	See Contrast table (2)			
	11 Operating Instructions	See Contrast table (2)			
	12 Operating Instructions	See Contrast table (2)			
	13 Information Sheet	DRM1338			
NSP	14 License Key Label	DXA2190			
	15 Caution Card SB	See Contrast table (2)			

**(2) CONTRAST TABLE**

CDJ-900/CUXJ, SYXJ8, FLXJ, KXJ5 and AXJ5 are constructed the same except for the following:

<b>Mark</b>	<b>No.</b>	<b>Symbol and Description</b>	<b>CDJ-900 /CUXJ</b>	<b>CDJ-900 /SYXJ8</b>	<b>CDJ-900 /FLXJ</b>	<b>CDJ-900 /KXJ5</b>	<b>CDJ-900 /AXJ5</b>
⚠	1	Power Cable	ADG7021	ADG1154	ADG1154	XDG3054	ADG7079
⚠	2	Power Cable	Not used	Not used	ADG7097	Not used	Not used
	8	Operating Instructions (En, Fr)	DRB1486	Not used	Not used	Not used	Not used
	9	Operating Instructions (En, Fr, De, It, Ni, Es, Ru)	Not used	DRB1484	Not used	Not used	Not used
	10	Operating Instructions (En, Es, Zhtw)	Not used	Not used	DRB1487	Not used	Not used
	11	Operating Instructions (Ko)	Not used	Not used	Not used	DRB1489	Not used
	12	Operating Instructions (ZHcn, En)	Not used	Not used	Not used	Not used	DRB1488
	15	Caution Card SB	Not used	Not used	ARM7064	Not used	Not used
	16	Recycle Label M	Not used	Not used	Not used	DRW2307	Not used
NSP	17	Warranty Card	ARY7043	ARY7107	Not used	Not used	Not used
	22	Packing Case	DHG2806	DHG2805	DHG2807	DHG2810	DHG2808



**(1) EXTERIOR SECTION PARTS LIST**

<u>Mark No.</u>	<u>Description</u>	<u>Part No.</u>	<u>Mark No.</u>	<u>Description</u>	<u>Part No.</u>
	1 MAIN Assy	DWX3019	21	Bottom Packing	DEC3186
	2 SRV Assy	DWX3020	22	Front Plate	DNH2869
	3 JACB Assy	DWX3023	23	Shield Case	DNH2872
	4 ACIN Assy	See Contrast table (2)	24	Main PCB Stay	DNH2874
	5 USBA Assy	DWX3044	25	Heatsink	DNH2885
⚠	6 POWER SUPPLY Assy	DWR1463	26	Bottom Plate	See Contrast table (2)
	7 USB Cable	DDA1040	27	USB Holder	DNK5423
	8 40P FFC	DDD1500	28	Damper	CNV6011
	9 Connector Assy 6P	DKP3831	29	Earth Spring	DBH1398
	10 Connector Assy 12P	DKP3838	30	Float Spring (G5)	DBH1494
	11 Connector Assy 13P	DKP3849	31	Mecha Plate	DNH2642
NSP	12 Earth Lead Unit	DE007VF0	NSP 32	CCC S & E Label	See Contrast table (2)
	13 Power Knob	DAC2484	33	Cord Clamper (Steel)	RNH-184
	14 Lock Plate	DNH2905	34	•••••	
⚠	15 Chassis	See Contrast table (2)	35	•••••	
	16 USB Cover	DNK4999	36	DM Screw (FTC)	DBA1260
	17 Earth Plate	DBK1224	37	Screw	BBZ30P060FTB
	18 USB Earth Plate	DBK1351	38	Screw	BBZ30P060FTC
NSP	19 Silicon Rubber D5 L	DEB1456	39	Screw	BPZ30P080FNI
	20 Cushion	DEC3177	40	Screw	BPZ30P200FTB
			41	Screw	BPZ30P080FTB
			42	Screw	BSZ30P060FTC

**(2) CONTRAST TABLE**

CDJ-900/CUXJ, SYXJ8, FLXJ, KXJ5 and AXJ5 are constructed the same except for the following:

Mark	No.	Symbol and Description	CDJ-900 /CUXJ	CDJ-900 /SYXJ8	CDJ-900 /FLXJ	CDJ-900 /KXJ5	CDJ-900 /AXJ5
⚠	4	ACIN Assy	DWR1461	DWR1462	DWR1462	DWR1462	DWR1462
	15	Chassis	DNK5358	DNK5352	DNK5359	DNK5362	DNK5360
	26	Bottom Plate	DNH2895	DNH2871	DNH2896	DNH2899	DNH2897
NSP	32	CCC S & E Label	Not used	Not used	Not used	Not used	DRW2310

# 9.3 CONTROL PANEL SECTION

A

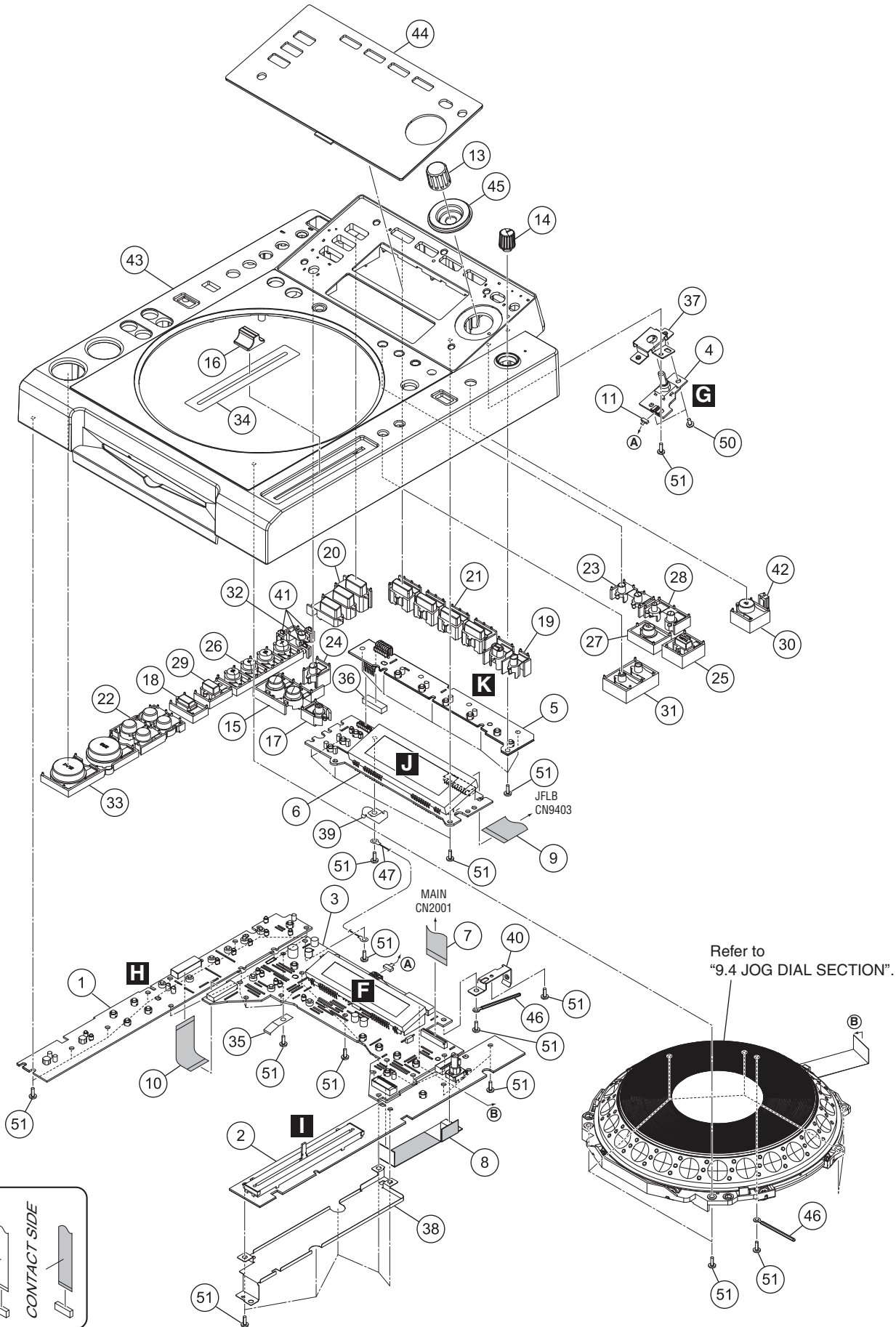
B

C

D

E

F



Refer to "9.4 JOG DIAL SECTION".

## CONTROL PANEL SECTION PARTS LIST

<u>Mark No.</u>	<u>Description</u>	<u>Part No.</u>	<u>Mark No.</u>	<u>Description</u>	<u>Part No.</u>
1	KSWB Assy	DWS1416	46	Cord Clamper (Steel)	RNH-184
2	SLDB Assy	DWS1417	47	Earth Lead Unit	DDF1032
3	DFLB Assy	DWX3021	48	•••••	
4	ENCB Assy	DWX3022	49	•••••	
5	MSWB Assy	DWS1415	50	Screw	BBZ30P060FTC
6	BFLB Assy	DWX3025	51	Screw	BPZ30P080FNI
7	26P FFC	DDD1445			
8	13P FFC	DDD1449			
9	22P FFC	DDD1489			
10	20P FFC	DDD1501			
11	Connector Assy	PF04PP-Q17			
12	•••••				
13	Rotary Knob C	DAA1194			
14	Dial Knob	DAA1246			
15	Loop Knob	DAC2066			
16	Slide Knob	DAC2067			
17	Re-loop Knob	DAC2291			
18	Reverse Knob	DAC2364			
19	Menu Button	DAC2490			
20	Media Select Button	DAC2491			
21	Mode Select Button	DAC2492			
22	Set Button (SEARCH)	DAC2495			
23	Set Button (CALL)	DAC2497			
24	Time Button	DAC2498			
25	Vinyl Knob	DAC2542			
26	Auto Beat Roop Knob	DAC2543			
27	Quick Return Knob	DAC2544			
28	DEL MEMO Knob	DAC2545			
29	Beat Select Button	DAC2546			
30	Eject Button	DAC2548			
31	Tempo Button	DAC2549			
32	USB Stop Button	DAC2550			
33	Play Knob	DAC2596			
34	Slide Sheet 1C	DAH2404			
35	Earth Plate	DBK1224			
36	FFC Guard	DEC2586			
37	Encoder Stay	DNF1840			
38	Earth Plate	DNH2875			
39	Earth Plate S	DNH2906			
40	Earth Plate L	DNH2907			
41	USB Lens	DNK5353			
42	EUP Lens	DNK5408			
43	Control Panel	DNK5440			
44	Display Panel	DNK5442			
45	Encoder Ring	DNK5489			



# 9.4 JOG DIAL SECTION

1

2

3

4

A

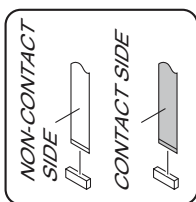
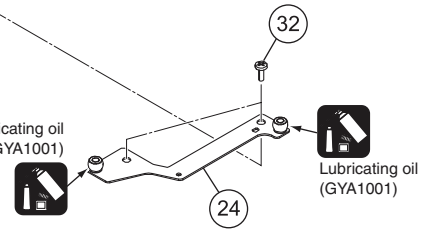
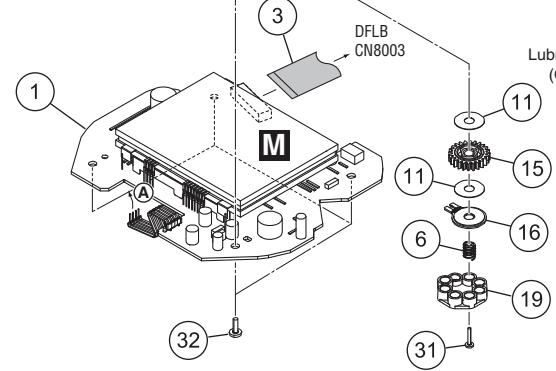
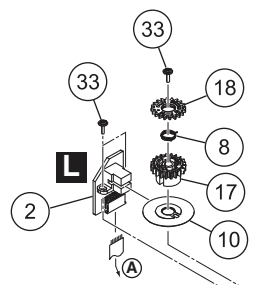
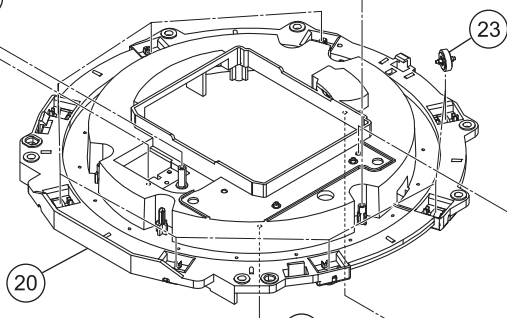
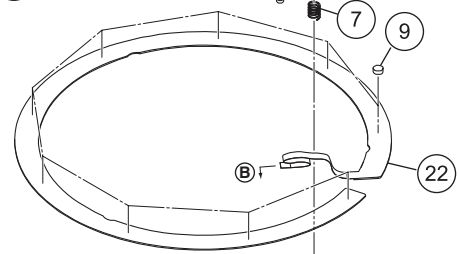
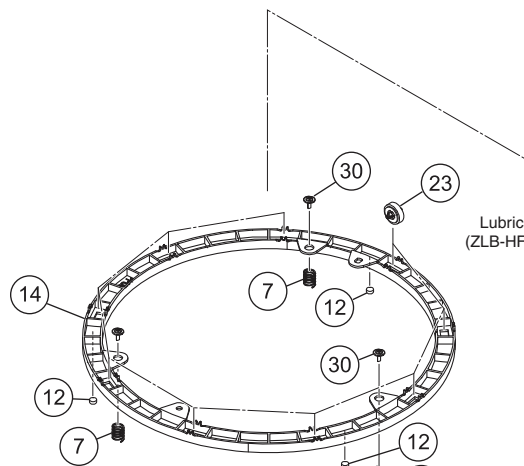
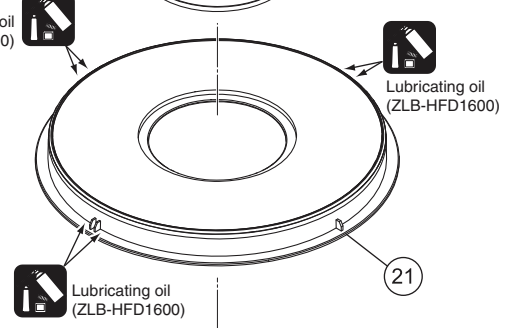
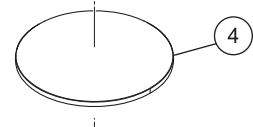
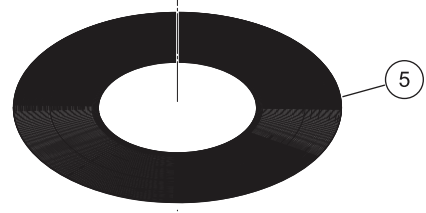
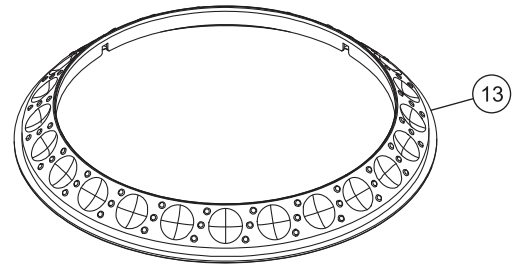
B

C

D

E

F



CDJ-900

1

2

3

4

## JOG DIAL SECTION PARTS LIST

<u>Mark No.</u>	<u>Description</u>	<u>Part No.</u>	
1	JFLB Assy	DWX3024	
2	JOGB Assy	DWX3026	A
3	19P FFC	DDD1490	
4	JOG Panel	DAH2609	
5	JOG Plate M	DAH2690	
6	Load Spring	DBH1680	
7	SW spring	DBH1681	
8	Encoder Spring	DBH1710	
9	SW Cushion HH48/2	DEC2538	
10	Encoder Plate	DEC2889	
11	Washer	DEC3137	B
12	Ring Cushion L24/2.0	DEC2958	
13	JOG B	DNK4068	
14	SW Ring	DNK5233	
15	Load Gear	DNK5236	
16	Smoother	DNK5237	
17	Gear A	DNK5241	
18	Gear B	DNK5242	
19	Adjust Plate	DNK5300	
20	JOG Holder M	DNK5356	C
21	JOG Dial A	DNK5357	
22	Sheet SW	DSX1078	
23	Roller A Assy	DXB2010	
24	JOG Stay Assy	DXB2015	
25	.....		
26	.....		
27	.....		
28	.....		
29	.....		
30	Screw (FE)	DBA1265	D
31	Screw	BPZ20P100FTC	
32	Screw	BPZ30P080FNI	
33	Screw	IPZ20P060FTC	



## SLOTIN MECHA SECTION PARTS LIST

<u>Mark No.</u>	<u>Description</u>	<u>Part No.</u>	
	1 SLMB Assy	DWS1418	
	2 TM Assy 03-S	VXX3125	A
	3 24P FFC	DDD1450	
	4 Connector Assy	PF05PP-B17	
NSP	5 SLOTIN MECHA Assy	DXA2121	
	6 DC Motor Assy-S	DXX2510	
NSP	7 DC Motor S	DXM1230	
NSP	8 Worm Gear	DNK3910	
	9 Lead Wire	ZWNN1007G28-8-06A	
	10 Lead Wire	ZWNN1007G28-9-06A	
	11 Clamp Spring	DBH1374	B
	12 Guide Spring	DBH1375	
	13 SW. Lever Spacer SV	DEC2831	
	14 Loading Lever	DNK3406	
	15 Main Cam	DNK3407	
	16 Disc Guide	DNK3478	
	17 Clamp Arm	DNK3576	
	18 Eject Lever	DNK3684	
	19 Lever AP	DNK3835	
	20 Lever BP	DNK3836	C
	21 Loading Gear	DNK3911	
	22 Drive Gear	DNK3912	
	23 Loading Base SV	DNK4369	
	24 SW Lever SV1	DNK4370	
	25 SW Lever SV2	DNK4371	
	26 Gear Holder SV	DNK4372	
	27 Clamper 04 Assy	DXB1859	
	28 FPC Guard	DBK1282	
	29 Spacer POR (T3)	DEB1566	D
	30 Vessel Cushion A	DEC2852	
	31 Vessel Cushion B	DEC2853	
	32 Vessel Cushion C	DEC2854	
	33 Front Sheet	DED1132	
	34 Float Base 04 Assy	DXB1838	
	35 Floating Rubber	VEB1351	
	36 Binder (SKB090BK)	ZCA-SKB90BK	
	37 ●●●●●		
	38 ●●●●●		E
	39 Screw	BPZ20P060FTC	
	40 Screw	BPZ30P080FNI	

# 12. PCB PARTS LIST

NOTES: ● Parts marked by "NSP" are generally unavailable because they are not in our Master Spare Parts List.

● The  $\Delta$  mark found on some component parts indicates the importance of the safety factor of the part. Therefore, when replacing, be sure to use parts of identical designation.

● When ordering resistors, first convert resistance values into code form as shown in the following examples.

Ex.1 When there are 2 effective digits (any digit apart from 0), such as 560 ohm and 47 k ohm (tolerance is shown by J = 5%, and K = 10%).

560  $\Omega$   $\rightarrow$  56  $\times 10^1$   $\rightarrow$  561 ..... RD1/APU  $\begin{matrix} \boxed{5} & \boxed{6} & \boxed{7} & J \end{matrix}$   
47 k $\Omega$   $\rightarrow$  47  $\times 10^3$   $\rightarrow$  473 ..... RD1/APU  $\begin{matrix} \boxed{4} & \boxed{7} & \boxed{3} & J \end{matrix}$   
0.5  $\Omega$   $\rightarrow$  R50 ..... RN2H  $\begin{matrix} \boxed{R} & \boxed{5} & \boxed{0} & K \end{matrix}$   
1  $\Omega$   $\rightarrow$  1R0 ..... RSIP  $\begin{matrix} \boxed{1} & \boxed{R} & \boxed{0} & K \end{matrix}$

Ex.2 When there are 3 effective digits (such as in high precision metal film resistors).

5.62 k $\Omega$   $\rightarrow$  562  $\times 10^1$   $\rightarrow$  5621 ..... RN1/4PC  $\begin{matrix} \boxed{5} & \boxed{6} & \boxed{2} & \boxed{1} & F \end{matrix}$

● Meaning of the figures and others in the parentheses in the parts list.

Example) IC 301 is on the point (face A, 91 of x-axis, and 111 of y-axis) of the corresponding PC board.

IC 301 (A, 91, 111) IC NJM2068V

**Mark No. Description Part No. Mark No. Description Part No.**

## LIST OF ASSEMBLIES

NSP 1..DFLA ASSY DWM2361  
2..KSWB ASSY DWS1416  
2..SLDB ASSY DWS1417  
2..SLMB ASSY DWS1418  
2..DFLB ASSY DWX3021

C 2..ENCB ASSY DWX3022  
2..JACB ASSY DWX3023

NSP 1..JFLA ASSY (CUXJ) DWM2362  
NSP 1..JFLA ASSY (SYXJ8, FLXJ, KXJ5, AXJ5) DWM2356  
2..ACIN ASSY (CUXJ) DWR1461  
2..ACIN ASSY (SYXJ8, FLXJ, KXJ5, AXJ5) DWR1462  
2..MSWB ASSY DWS1415

2..JFLB ASSY DWX3024  
2..BFLB ASSY DWX3025  
2..JOGB ASSY DWX3026

D 1..MAIN ASSY DWX3019  
1..SRV ASSY DWX3020  
1..USBA ASSY DWX3044  
 $\Delta$  1..POWER SUPPLY ASSY DWR1463

**Mark No. Description Part No.**

## A SRV ASSY SEMICONDUCTORS

$\Delta$  IC 7002 BD7956FS  
 $\Delta$  IC 7003 BA00DD0WHFP  
IC 7004 AN22022A  
 $\Delta$  IC 7005 MM1478DFBE  
IC 7006 DYW1776  
 $\Delta$  IC 7007 PQ1LAX95MSPQ  
IC 7008 MN103S71F  
 $\Delta$  IC 7301-7303 SI-8005Q  
Q 7002 2SA1036K(PQR)  
Q 7003 HN1B04FU

Q 7005,7006 RT1N144M  
D 7301,7302 EP05Q06

D 7306-7308 CMS03  
D 7311 RB060L-40

## MISCELLANEOUS

L 7005-7007,7310-7325 INDUCTOR CTF1378  
L 7008,7009 INDUCTOR CTF1745  
L 7301-7303 INDUCTOR CTH1253  
L 7304,7305,7307-7309 INDUCTOR CTF1579  
KN 7002 EARTH METAL FITTING VNF1109

X 7001 CERAMIC RESONATOR DSS1157  
CN 7001 24P FFC CONNECTOR DKN1445  
CN 7002 4P CONNECTOR DKN1288  
CN 7003 CONNECTOR DKN1312  
CN 7004 CONNECTOR AKM1291

CN 7005 40P CONNECTOR VKN1818  
CN 7301 XH CONNECTOR (6P) DKN1599  
CN 7302 CONNECTOR AKM1299  
 $\Delta$  P 7302 PROTECTOR (0.375 A) DEK1119  
 $\Delta$  P 7307,7310 PROTECTOR (1.250 A) DEK1123

## RESISTORS

R 7004 RS1/4SA120J  
R 7007,7012,7013,7016 RS1/4SA1R0J  
R 7027,7028 RS1/4SA3R3J  
R 7030,7041,7046,7080 RS1/10SR1002F  
R 7039 RS1/10SR3301F

R 7048,7049 RS1/10SR3302F  
R 7079 RS1/10SR2700F  
R 7118 RS1/10SR1502F  
R 7126 RS1/10SR1801F  
R 7306-7308 RST1/2SP120J

R 7310 RS1/10SR6802D  
R 7311 RS1/10SR3301D  
R 7312 RS1/10SR5101D  
R 7313 RS1/10SR3902D  
R 7314 RS1/10SR5601D

R 7315,7318 RS1/10SR4701D  
R 7316 RS1/10SR2402D  
R 7317 RS1/10SR2701D  
R 7321 RS1/10SR1002D  
Other Resistors RS1/10SR###J

## CAPACITORS

C 7001-7007,7030,7078 CKSRYB103K50  
C 7008,7019,7024-7026 CKSRYB104K16

Mark	No.	Description	Part No.	Mark	No.	Description	Part No.
	C 7015		CKSRYPB474K10		IC 108,109,505		K4S561632J-UC75
	C 7018,7041,7071		CEHVVW470M6R3	NSP	IC 114		DYW1775
	C 7022,7361-7376		CCSRCH470J50		IC 115,124		TC7WHU04FU
	C 7023		DCH1275		IC 119		TC74LCX32F5T1
	C 7027,7060,7079,7085		CKSRYPB105K10		IC 120		TC7SH04FUS1
	C 7028,7034,7066,7348		CEHVVW470M16		IC 122		TC7W08FU
	C 7029		DCH1200		IC 123		TC74VHC08F5T1
	C 7031,7035-7038,7043		CKSRYPB104K16		IC 501		D710E001BZDHA275
	C 7032		CEHVAW470M16		IC 507		TC7WU04FU
	C 7033,7062		CKSRYPB473K50		IC 1101		M66291GP
	C 7039,7042,7310-7312		CCSRCH102J50		IC 1102		BD2051AFJ
	C 7040,7047		CCSRCH221J50		IC 1304		RTL8201CP-LF
	C 7044,7099,7113		CCSRCH101J50	⚠	IC 3002		SI-8005Q
	C 7046,7052-7059,7065		CKSRYPB104K16		IC 3003		WM8728SEDS
	C 7048,7339-7341		CKSRYPB224K16		Q 506		2SC2412K
	C 7049		CCSRCH151J50		Q 509,510		2SC4081
	C 7051,7089,7097,7098		CKSRYPB102K50		Q 511,512,1312		LTC124EUB
	C 7061		CCH1426		Q 1301		UM6K1N
	C 7063,7100		CKSRYPB273K25		Q 1302,1308		2SB1698
	C 7064		CKSRYPB561K50		Q 1303		2SD2662
	C 7067,7068,7072-7077		CKSRYPB104K16		Q 1304,1309		IMX2
	C 7080,7091,7107		CKSRYPB103K50		Q 1305		IMT2A
	C 7081,7082,7090,7092		CKSRYPB104K16		Q 1306,1307,1313,1314		DTC143EUA
	C 7083,7084		CKSRYPB471K50		Q 1310		2SD2114K
	C 7086,7088		CKSRYPB182K50		Q 1311,1315,3002		LTA124EUB
	C 7087,7313,7314,7377		CKSRYPB222K50		Q 1316,1317		DTC143EUA
	C 7093		CKSRYPB122K50		Q 3001		RTQ040P02
	C 7094,7096,7101,7103		CKSRYPB104K16		D 3001		UDZS5R6(B)
	C 7095,7106		CKSRYPB105K10		D 3006		RB060L-40
	C 7102,7105,7315		CKSRYPB102K50		D 3007,3008		UDZS10(B)
	C 7104,7108-7110,7112		CKSRYPB104K16		D 3009,3014		UDZS6R2(B)
	C 7111		CKSRYPB333K16		D 3010,3012,3013,3017		1SS352
	C 7301-7303,7335		CKSRYPB104K25		D 3016		UDZS5R1(B)
	C 7304-7309,7327-7329		CCG1221	<b>MISCELLANEOUS</b>			
	C 7316-7318		CKSRYPB103K50	L	101,102 INDUCTOR		CTF1745
	C 7319,7320		CKSRYPB105K16	L	500,501 CHIP SOLID INDUCTOR		XTL3010
	C 7324		CCSRCH122J50	L	1103 INDUCTOR		CTF1579
	C 7325		CCSRCH152J50	L	3002 POWER INDUCTOR		DTH1205
	C 7326		CCSRCH222J50	L	3003,3004 INDUCTOR		CTF1545
	C 7342-7344		CCH1565	F	101,108,1101,1103 EMI FILTER		CCG1160
	C 7347,7351		CKSRYPB104K16	F	1102 FILTER		CTF1701
	C 7350,7354		CEHVVW470M16	F	1302,1303 EMI FILTER		DTL1106
	C 7355,7357,7358		ACG1142	F	1305 EMI FILTER		CCG1160
	C 7359		CCG1192	JA	1101 USB CONNECTOR B		DKN1574
	C 7360		CKSQYB106K6R3	JA	1301 RJ45 MODULAR JACK		DKN1576
	C 7378		CKSRYPB222K50	X	104 RESONATOR		CSS1753
				X	105 CRYSTAL (26.965 MHz)		DSS1185
				X	503 RESONATOR		CSS1620
				X	1302 CRYSTAL (25 MHz)		VSS1215
				CN	501 CONNECTOR		VKN1938
				CN	1303 CONNECTOR		CKS5075
				CN	1305 CONNECTOR		AKM1276
				CN	2001 26P CONNECTOR		VKN1430
				CN	3001 CONNECTOR		AKM1284
				NSP	0 ID LABEL ASSY		AXW7015
				⚠	P 2 PROTECTOR (0.500 A)		DEK1120
				⚠	P 3 PROTECTOR (1.250 A)		DEK1123
				<b>RESISTORS</b>			
				R	108		RS1/16SS5101F

## **B** SLMB ASSY

### **MISCELLANEOUS**

S 8901,8902 PUSH SWITCH  
CN8901 PLUG (5P)

## **C** MAIN ASSY

### **SEMICONDUCTORS**

IC 101  
IC 102

R5S77641N300BG  
BD45302G

### **RESISTORS**

R 108

Mark	No.	Description	Part No.	Mark	No.	Description	Part No.
	R	325,3105,3109	RS1/10SR0R0J				
	R	739-742	RAB4CQ101J	C	3017,3032	CCSRCH102J50	
A	R	1350-1353	RS1/16SS49R9F	C	3020	CKSRYB331K50	
	R	1376	RS1/16SS1101F	C	3023	CKSRYB103K50	
	R	1378	RS1/16SS1001F	C	3026	CKSRYB224K10	
	R	1392	RAB4CQ220J	C	3035,3041,3123-3125	CCG1171	
	R	3006	RST1/2SP1R0J	C	3087,3090	CKSRYB104K16	
	R	3009,3024	RS1/10SR223J	C	3093,3100	CEHVAW101M16	
	R	3012	RST1/2SP120J	C	3094,3095	CKSQYB475K16	
	R	3015	RS1/16SS6801D	C	3096-3099	CKSQYB105K16	
	R	3016	RS1/16SS4300D	C	3102,3104,3108-3110	CEHVAW470M16	
	R	3017	RS1/16SS4701D	C	3103,3105-3107	CKSSYB104K16	
	R	3028,3029	RS1/4SA270J	C	3114	CKSSYB104K10	
B	R	3035,3037	RS1/8SQ272J	C	3120,3130	CCSSCH220J50	
	R	3036,3038-3040	RS1/8SQ222J	C	3122	CCSSCH471J50	
	R	3064	RS1/8SQ101J	C	3131,3134,3135	CCSSCH470J50	
	R	3115	RS1/10SR471J				
	R	3124	RS1/8SQ560J				
		Other Resistors	RS1/16SS###J				

**CAPACITORS**

C	101-108,110-112	CKSSYB104K10
C	109,137,148,204	CCG1171
C	114,116,117,119	CKSSYB104K10
C	118,120,122,124	CKSSYB102K50
C	121,123,125	CKSSYB104K10
C	126,217,220,223	CKSSYB102K50
C	128-136,138-147	CKSSYB104K10
C	156,157,159,160	CKSSYB104K10
C	162-165,167,169	CKSSYB104K10
C	171-181,183-200	CKSSYB104K10

C	202,203,214-216	CKSSYB104K10
C	211,233,234,246	CCG1171
C	218,219,221,222	CKSSYB104K10
C	224,225,242-245	CKSSYB104K10
C	226,1345,1356,1359	CKSSYB102K50

C	228,229	CCSSCH5R0C50
C	230,231,617,618	CCSSCH7R0D50
C	232,235,595,1111	CEHVAW221M6R3
C	247,577,578,597	CCG1171
C	248,501-520,524	CKSSYB104K10

C	528-547,556,576	CKSSYB104K10
C	571	CEHVAW470M6R3
C	580,584-589,619	CKSSYB104K10
C	596,1120,1124,1125	CEHVAW101M6R3
C	1101,1107,1112,1115	CKSSYB104K10

C	1102,1106,1113,1116	CKSSYB103K16
C	1105,1108,1127,1385	CCG1171
C	1118,3101	DCH1201
C	1119,1126,1319,1322	CKSSYB104K10
C	1122,1123	CKSSYB103K16

C	1128,1129,1358	CKSRYB105K10
C	1323,1325,1329,1364	CKSSYB104K10
C	1328	CEHVAW330M10
C	1342,1363	CEHVAW221M6R3
C	1362,3115-3118	CKSSYB102K50

C	1365,1379	CCSSCH120J50
C	1387	CEHVAW101M6R3
C	3002,3005-3008,3038	CKSRYB104K16
C	3003,3111-3113	ACG1142
C	3011,3044	ACH1495

**D USBA ASSY  
MISCELLANEOUS**

JA 9901	USB CONNECTOR A	DKB1087
KN9901,9902	WRAPPING TERMINAL	VNF1084
CN9901	L-PLUG (5P)	KM200NA5L
VA 9903	VARISTORS	EZJZ1V270RM

**CAPACITORS**

C	9901	CEHAR101M6R3
C	9902	CKSRYB105K10

**E JACB ASSY  
SEMICONDUCTORS**

IC	8801-8803	NJM4580MD
Q	8801-8804	2SD2114K
Q	8805,8809	2SK3320
Q	8807,8810	HN1C01FU
Q	8821,8822	2SC2412K

D	8803,8804	1SS352
D	8805,8808	NNCD6.2MF

**MISCELLANEOUS**

JA 8801	PIN JACK (2P)	AKB7181
JA 8802	JACK	VKB1243
JA 8803	1P JACK	DKB1089
CN8801	PLUG (12P)	KM200NA12
VA 8800	VARISTORS	EZJZ1V270RM

**RESISTORS**

R	8808,8809	DCN1191
R	8810,8811,8820-8823	DCN1186
R	8813,8815	DCN1192
R	8826,8828,8846,8847	DCN1189
R	8832,8849	DCN1190

R	8834,8835,8851,8852	DCN1187
R	8836,8838,8853,8854	DCN1188
R	8839-8844,8855,8856	DCN1186
R	8867,8876-8879,8881	RS1/8SQ0R0J
R	8888	RS1/8SQ0R0J

Other Resistors	RS1/10SR###J
-----------------	--------------

**CAPACITORS**

C	8805,8806	CCH1357
---	-----------	---------

Mark	No.	Description	Part No.
C	8807,8809,8852,8854		CKSRYB103K50
C	8808,8845-8849,8851		CKSRYB104K50
C	8810,8811		CFHBSQ471J50
C	8814,8827		CKSRYB223K50
C	8816,8817,8828,8829		DCG1056
C	8821-8824,8832-8835		DCG1062
C	8840,8842		DCH1282
C	8841,8843,8844,8850		DCH1320
C	8856		CKSRYB104K50

## **F** DFLB ASSY SEMICONDUCTORS

IC	8001	TC7SH04FUS1
IC	8002	TC7WH32FU
IC	8003	TC7WH08FU
IC	8004	NJM14558V
IC	8005	M3030RFCPPF
IC	8007	BD45302G
IC	8008	TC7SH02FUS1
⚠	IC 8010	NJM2392M
Q	8001	2SB1237X
Q	8002-8005,8007	LTC124EUB
Q	8006	LTA124EUB
Q	8008	2SD1858X
D	8002-8006	SLI-343Y8C(KLMN)
D	8007	SLI-343U8RC(HJKL)
D	8008	EP05Q06

## MISCELLANEOUS

L	8001	RADIAL LEAD INDUCTOR	DTH1206
L	8002,8003	INDUCTOR	CTF1579
L	8005,8006	INDUCTOR	CTF1378
V	8001	VFD	DEL1065
S	8001,8005-8009	SWITCH	VSG1024
S	8002-8004	TACT SWITCH	DSG1079
X	8001	CRYSTAL RESONATOR	DSS1166
CN	8001	CONNECTOR	9607S-20F
CN	8002	CONNECTOR	XKP3022
CN	8003	CONNECTOR 19P	52492-1920
CN	8004	26P CONNECTOR	VKN1257
CN	8005	L-PLUG (4P)	KM200NA4L
CN	8006	CONNECTOR 13P	52492-1320
O		FL HOLDER D	DNH2883

## RESISTORS

R	8004,8005	RS1/10SR4702D
R	8006	RS1/10SR4701D
R	8007,8099	RS1/10SR1802D
R	8091	RS1/4SA2R7J
R	8092	RS1/10SR3301D
R	8093	RS1/10SR3302D
R	8094	RS1/10SR2202D
R	8102,8103	RS1/4SA120J
	Other Resistors	RS1/10SR###J

## CAPACITORS

C	8001-8003,8006,8023	CKSRYB104K16
C	8004,8007-8012,8015	CCSRCH102J50
C	8013	CKSRYB474K10
C	8016,8044-8051,8059	CCSRCH102J50
C	8020,8022	CCSRCH100D50

Mark	No.	Description	Part No.
C	8024,8026,8028		CKSRYB104K16
C	8025		CKSRYB103K50
C	8027,8029,8034		CEHAS470M16
C	8030-8032,8043,8055		CKSRYB104K16
C	8033		CCSRCH560J50
C	8035		CKSYB106K16
C	8036,8054		CEHAS101M10
C	8038,8039		BCG1054
C	8041,8062,8063,8067		CCSRCH220J50
C	8042		CCSRCH221J50
C	8052		ACG7050
C	8053		CKSQYB106K6R3
C	8064		CCSRCH102J50
C	8068		CCSRCH470J50
C	8070		CCSRCH220J50

## **G** ENCB ASSY MISCELLANEOUS

S	8501	ENCODER SW	DSX1080
CN	8501	L-PLUG (4P)	KM200NA4L

## CAPACITORS

C	8501,8502	CKSRYB103K50
---	-----------	--------------

## **H** KSWB ASSY SEMICONDUCTORS

Q	9201	DTC143EUA
Q	9202-9205,9209-9211	LTC124EUB
Q	9206-9208	2SA1162
D	9201,9208,9210	SLI-343U8RC(HJKL)
D	9202-9205,9207	SLI-343Y8C(KLMN)
D	9206,9209	SLI-343M8C(FGHJ)
D	9211-9213	SLI-343Y8C(KLMN)

## MISCELLANEOUS

S	9201,9210-9213	SWITCH	VSG1024
S	9202-9207	TACT SWITCH	DSG1079
S	9208,9209	TACT SWITCH	DSG1117
CN	9201	CONNECTOR 20P	52492-2020

## RESISTORS

	All Resistors	RS1/10SR###J
--	---------------	--------------

## CAPACITORS

C	9211-9213	CKSRYB104K16
---	-----------	--------------

## **I** SLDB ASSY SEMICONDUCTORS

Q	8701,8703,8704	LTC124EUB
D	8701-8704	1SS352
D	8705	SLR343BC4T(JKLM)
D	8706,8707	SLI-343U8RC(HJKL)
D	8708	SLI-343M8C(FGHJ)

## MISCELLANEOUS

VR	8701	VR	DCV1009
VR	8702	POTENTIOMETER	DCS1062

Mark No.	Description	Part No.
S	8701,8702,8704,8705 SWITCH CN8701 CONNECTOR 13P	VSG1024 52492-1320

Mark No.	Description	Part No.
----------	-------------	----------

**RESISTORS**

All Resistors

RS1/10SR###J

**CAPACITORS**C 8702,8703  
C 8704CKSRYB102K50  
CKSRYB103K50**J BFLB ASSY  
SEMICONDUCTORS**IC 4001  
IC 4002  
IC 4003  
Q 4002-4004  
Q 4005  
  
Q 4006  
D 4001,4004  
D 4002,4003,4005,4006TC7SH08FUS1  
R5F363AENFA-UO  
NJM14558V  
LTC124EUB  
2SB1237X  
  
2SD1858X  
SLR343BC4T(JKLM)  
SLI-343M8C(FGHJ)**MISCELLANEOUS**L 4001 INDUCTOR  
L 4003,4004 INDUCTOR  
V 4001 VFD  
S 4001-4003 SWITCH  
X 4001 CERAMIC RESONATOR  
  
CN4001 CONNECTOR  
O FL HOLDER B  
JH 4001 7P CABLE HOLDERCTF1579  
CTF1378  
DEL1066  
VSG1024  
DSS1183  
  
XKP3022  
DNH2921  
51048-0700**RESISTORS**R 4053,4054  
R 4055  
R 4056,4057  
R 4060,4061  
Other ResistorsRS1/10SR4702D  
RS1/10SR4701D  
RS1/10SR1802D  
RS1/4SA100J  
RS1/10SR###J**CAPACITORS**C 4001,4002,4005,4006  
C 4008,4009,4020  
C 4010  
C 4011  
C 4012,4013  
  
C 4014-4017,4021-4026  
C 4018  
C 4019CKSRYB104K16  
CKSRYB104K16  
CEHAS470M6R3  
CCSRCH102J50  
CCSRCH470J50  
  
CCSRCH220J50  
CKSQYB106K6R3  
CKSYB104K2A**K MSWB ASSY  
SEMICONDUCTORS**Q 9701-9704  
D 9701,9704,9707,9710LTC124EUB  
SLI-343M8C(FGHJ)**MISCELLANEOUS**

S 9701-9706 SWITCH

VSG1024

**RESISTORS**

All Resistors

RS1/10SR###J

**MISCELLANEOUS**

JH 9701 7P CABLE HOLDER

51048-0700

**L JOGB ASSY  
MISCELLANEOUS**

CN9501 4PJUMPER CONNECTOR

52151-0410

**RESISTORS**

All Resistors

RS1/10SR###J

**MISCELLANEOUS**

PC 9501 PHOTO INTERRUPTER

SEDS-7573

**CAPACITORS**

C 9501,9502

CKSRYB103K50

**M JFLB ASSY  
SEMICONDUCTORS**⚠ IC 9401  
⚠ IC 9402  
Q 9401,9402,9409,9410  
Q 9403,9405  
Q 9404,9419NJM2392M  
TLC555IP  
DTC143EUA  
2SC4081  
2SA1576AQ 9406-9408  
Q 9411  
Q 9412,9417,9420  
Q 9413,9414  
Q 94152SD1767  
2SB1237X  
DTC143EUA  
RTQ040P02  
RHP020N06Q 9416  
Q 9418  
D 9401  
D 9402,9403  
D 9404,9405,9409,94172SD1858X  
2SD2662  
UDZS4R3(B)  
UDZS6R8(B)  
1SS352D 9406-9408,9410-9414  
D 9418RB160M-60  
1SS352**MISCELLANEOUS**L 9401 POWER INDUCTOR  
L 9402,9403 INDUCTOR  
V 9401 FL INDICATOR TUBE  
T 9401 POWER TRANSFORMER  
CN 9402 CONNECTORDTL1198  
CTF1579  
DEL1058  
DTT1232  
CKS1072CN 9403 CONNECTOR  
O FL HOLDER  
JH 9401 4P CABLE HOLDER  
P 9401,9405 PROTECTOR (500 mA)  
P 9402 PROTECTOR (1.5 A)XKP3019  
DNF1735  
51048-0400  
AEK7060  
AEK7065**RESISTORS**R 9416-9419  
R 9440,9441,9467,9468  
R 9442  
R 9443  
R 9444DCN1184  
RS1/4SA271J  
RST1/2SP1R0J  
RS1/8SQ102J  
RS1/8SQ101JR 9445  
R 9446  
R 9449  
R 9450  
R 9451RS1/10SR3302F  
RS1/10SR1601F  
RN1/16SE2201D  
RN1/16SE1502D  
RN1/16SE6802D

R 9452

RS1/8SQ223J

Mark	No.	Description	Part No.
R	9455,9456		DCN1183
R	9461-9464		RS1/4SA470J
R	9469,9470		RS1/4SAR43J
R	9472,9473		RS1/4SA390J
	Other Resistors		RS1/10SR###J

### CAPACITORS

C	9401		CKSRYPB223K16
C	9402,9404		CEHAR101M10
C	9403,9406,9409,9411		CKSRYPB104K50
C	9407		CKSRYPB473K50
C	9410		CEHAR220M16
C	9413,9416,9424,9425		CKSRYPB104K50
C	9414,9420,9438-9440		CCSRCH101J50
C	9417		CKSRYPB105K16
C	9418,9419,9428		CCG1255
C	9421		CEAT101M16
C	9422		CKSRYPB221K50
C	9423		CEHAT101M35
C	9426		ACG7065
C	9427		CEHAT100M63
C	9429		CEHAR100M50
C	9430,9433,9441		CKSRYPB104K50
C	9434,9436		ACG1147
C	9435		CKSYB106K16
C	9437		CCSRCH470J50
C	9442		CKSQYB475K16

## **N** POWER SUPPLY ASSY

There is no service parts.

## **O** ACIN ASSY (DWR1461)

### MISCELLANEOUS

△	JA 1	AC INLET 1P	XKP3085
△	S 1	SWITCH	DSA1035
△	JP 1	CONNECTOR ASSY 2P	DKP3822

### CAPACITORS

△	C 9999		ACG7033
---	--------	--	---------

## **O** ACIN ASSY (DWR1462)

### MISCELLANEOUS

△	JA 1	AC INLET 1P	XKP3084
△	S 1	SWITCH	DSA1035
△	JP 1	CONNECTOR ASSY 2P	DKP3822

### CAPACITORS

△	C 9999		ACG7033
---	--------	--	---------