

# Pioneer

## Service Manual

ORDER NO.  
**CRT4514**

CD RECEIVER

# DEH-1250MP /XUCN5



**This service manual should be used together with the following manual(s) listed below. For the parts numbers, adjustments, etc. which are not shown in this manual, refer to the following manual(s).**

Model No.	Order No.	Mech. Module	Remarks
DEH-1100MP/XN/UC	CRT4231		
CX-3195	CRT3815	S10.5COMP2	CD Mech.Module:Circuit Descriptions, Mech. Descriptions, Disassembly

# EXPLODED VIEWS AND PARTS LIST

## PACKING(Page 30)

### PACKING SECTION PARTS LIST

\*:Non spare part

Mark	No.	Description	DEH-1100MP/XN/UC	DEH-1250MP/XUCN5
	2	Accessory Assy	* YEA5071	YEA5084
	3	Screw	BPZ20P060FTC	Not used
	4	Screw Assy	YEA5072	YEA5082
	7	Screw	CRZ50P090FTC	Not used
	12	Polyethylene Bag	CEG1173	QEG3001
*	13	Battery	CEX1065	Not used
	14	Protector	YHP5052	QHP3008
	15	Protector	YHP5053	QHP3009
	16	Remote Control Assy	CXC5719	QXA3196(Remote Control Unit)
	17	Unit Box	QHG3019	QHG3051
	18	Contain Box	QHL3019	QHL3051
	19-1	Owner's Manual	QRD3016	QRB3030(Simplified Chinese)
	19-2	Caution Card	CRP1387	Not used
*	19-3	Warranty Card	CRY1276	YRY5002
*	19-5	Caution Card	CRP1402	Not used

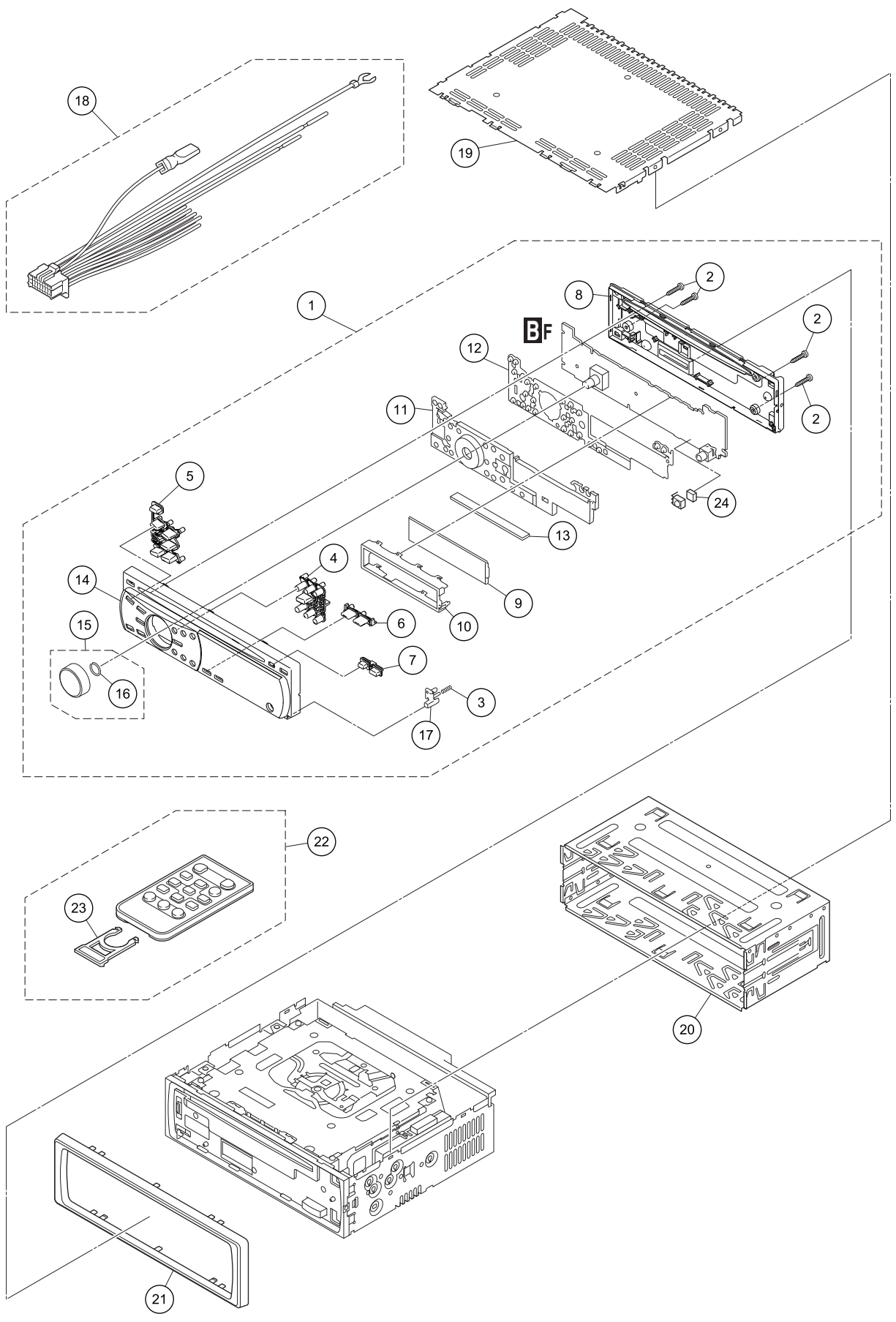
## EXTERIOR(1)(Page 32)

### EXTERIOR(1) SECTION PARTS LIST

Mark	No.	Description	DEH-1100MP/XN/UC	DEH-1250MP/XUCN5
	1	Screw	BMZ40P140FTC	Not used
	5	Earth Plate	CNC8915	Not used
	6	Cushion	CNM8890	Not used
	7	Holder	CNV7619	Not used
	8	Chassis Unit	CXC7391	QXA3126
	13	Tuner Amp Unit	QWM3033	QWM3101(Tuner Amp Assy)
	17	Pin Jack(CN351)	CKB1057	YKB5010
	38	Panel	QNS3023	QNS3108
	42	Sheet	Not used	CNM9404

1 2 3 4

A  
B  
C  
D  
E  
F



4 1 2 3 4

EXTERIOR(2) SECTION PARTS LIST

<u>Mark</u>	<u>No.</u>	<u>Description</u>	<u>Part No.</u>
	1	Detachable Assy	QXA3166
	2	Screw	BPZ20P100FTC
	3	Spring	CBH2210
	4	Button(1, 2, 3, RIGHT, 4, 5, 6)	QAC3029
	5	Button(FUNCTION, EQ, UP, LEFT, DOWN, BAND)	QAC3030
	6	Button(DISP, CLOCK)	QAC3031
	7	Button(EJECT, AUDIO)	QAC3032
	8	Cover	QNS3106
	9	LCD(V1801)	CAW1930
	10	Holder	QNC3012
	11	Lighting Conductor	QNV3016
	12	Rubber	QNV3017
	13	Connector	QNV3018
	14	Grille Unit	QXA3148
	15	Knob Unit	QXA3153
	16	Spring	YBL5010
	17	Button	YAC5389
	18	Cord Assy	YDP5022
	19	Case	CNB2793
	20	Holder	CND3598
	21	Panel	YNS5537
	22	Remote Control Unit	QXA3196
	23	Cover	CNS7068
	24	Spacer	CNN2675

A  
B  
C  
D  
E  
F

# ELECTRICAL PARTS LIST(Page 62)

## TUNER AMP ASSY

	Circuit Symbol and No.	Part Name	DEH-1100MP/XN/UC	DEH-1250MP/XUCN5
A	IC301	IC	PAL007E	PAL007C
	L801	Inductor	LAU2R2K	Not used
	CN351	Pin Jack	CKB1057	YKB5010
	R156		RS1/16S681J	RS1/10SR821J
	R157		RS1/16S681J	RS1/10SR821J
	R162		RS1/16S102J	RS1/10SR102J
	R163		RS1/16S102J	RS1/10SR102J
	R201		RS1/16S103J	RS1/10SR103J
B	R202		RS1/16S153J	RS1/10SR103J
	R203		RS1/16S221J	RS1/10SR221J
	R251		RS1/16S223J	RS1/10SR223J
	R252		RS1/16S223J	RS1/10SR223J
	R301		RS1/16S153J	RS1/10SR103J
	R351		RS1/16S223J	RS1/10SR223J
	R352		RS1/16S223J	RS1/10SR223J
	R353		RS1/16S821J	RS1/10SR821J
C	R354		RS1/16S821J	RS1/10SR821J
	R404		RS1/16S102J	RS1/10SR102J
	R405		RS1/16S102J	RS1/10SR102J
	R406		RS1/16S102J	RS1/10SR102J
	R407		RS1/16S102J	RS1/10SR102J
	R409		RS1/16S391J	RS1/10SR391J
	R410		RS1/16S681J	RS1/10SR681J
	R411		RS1/16S681J	RS1/10SR681J
	R412		RS1/16S681J	RS1/10SR681J
D	R413		RS1/16S472J	RS1/10SR472J
	R601		RS1/16S473J	RS1/10SR473J
	R603		RS1/16S473J	RS1/10SR473J
	R606		RS1/16S473J	RS1/10SR473J
	R608		RS1/16S470J	RS1/10SR470J
	R610		RS1/16S203J	RS1/10SR203J
	R611		RS1/16S182J	RS1/10SR182J
	R612		RS1/16S563J	RS1/10SR563J
E	R613		RS1/16S302J	RS1/10SR302J
	R615		RS1/16S563J	RS1/10SR563J
	R616		RS1/16S104J	RS1/10SR104J
	R617		RS1/16S473J	RS1/10SR473J
	R618		RS1/16S473J	RS1/10SR473J
	R619		RS1/16S104J	RS1/10SR104J
	R638		RS1/16S273J	RS1/10SR273J
	R643		RS1/16S104J	RS1/10SR104J
F	R644		Not used	RS1/10SR0R0J
	R645		Not used	RS1/10SR0R0J

Circuit Symbol and No.	Part Name	DEH-1100MP/XN/UC	DEH-1250MP/XUCN5
R646		Not used	RS1/10SR0R0J
R647		RS1/16S0R0J	Not used
R648		Not used	RS1/10SR0R0J
R651		RS1/16S104J	RS1/10SR104J
R652		RS1/16S102J	RS1/10SR102J
R653		RS1/16S102J	RS1/10SR102J
R654		RS1/16S221J	RS1/10SR221J
R656		RS1/16S104J	RS1/10SR104J
R657		RS1/16S104J	RS1/10SR104J
R658		RS1/16S104J	RS1/10SR104J
R659		RS1/16S472J	RS1/10SR472J
R660		RS1/16S472J	RS1/10SR472J
R661		RS1/16S221J	RS1/10SR221J
R662		RS1/16S221J	RS1/10SR221J
R663		RS1/16S221J	RS1/10SR221J
R664		RS1/16S473J	RS1/10SR473J
R666		RS1/16S103J	RS1/10SR103J
R670		RS1/16S473J	Not used
R671		RS1/16S563J	RS1/10SR473J
R672		RS1/16S104J	RS1/10SR104J
R674		RS1/16S104J	RS1/10SR104J
R675		RS1/16S473J	RS1/10SR473J
R676		Not used	RS1/10SR104J
R677		RS1/16S104J	Not used
R803		RS1/16S222J	Not used
R821		RS1/16S562J	RS1/10SR472J
R822		RS1/16S103J	RS1/10SR103J
R831		RS1/16S1R0J	RS1/10SR1R0J
R832		RS1/16S473J	RS1/10SR473J
R841		RS1/16S104J	RS1/10SR104J
R855		RS1/16S104J	RS1/10SR104J
R873		RS1/16S103J	RS1/10SR103J
R874		RS1/16S103J	RS1/10SR103J
R931		RS1/16S104J	RS1/10SR104J
R932		RS1/16S223J	RS1/10SR223J
R934		RS1/16S472J	RS1/10SR472J
R935		RS1/16S473J	RS1/10SR473J
C406		Not used	CCSRCH390J50
C409		Not used	CCSRCH100D50
C637		Not used	CKSRYB103K50
C646		Not used	CKSRYB103K50
C912	1 000 uF/16 V	CEAT102M16	XGH3021
C914		CEAT221M10	CEJQ101M10

For the information of the parts that are added to this model, please refer to the following manual (CRT4231).