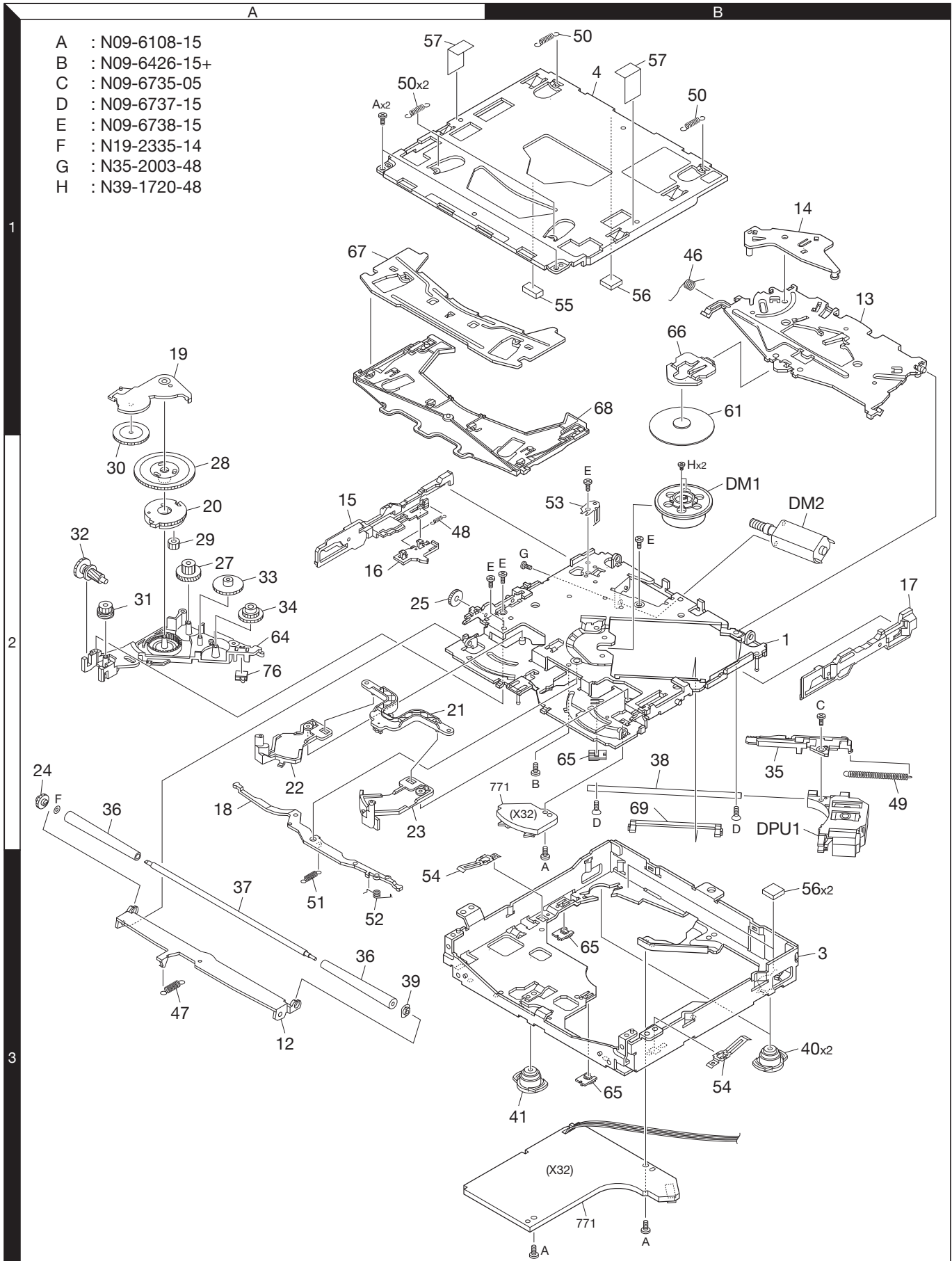


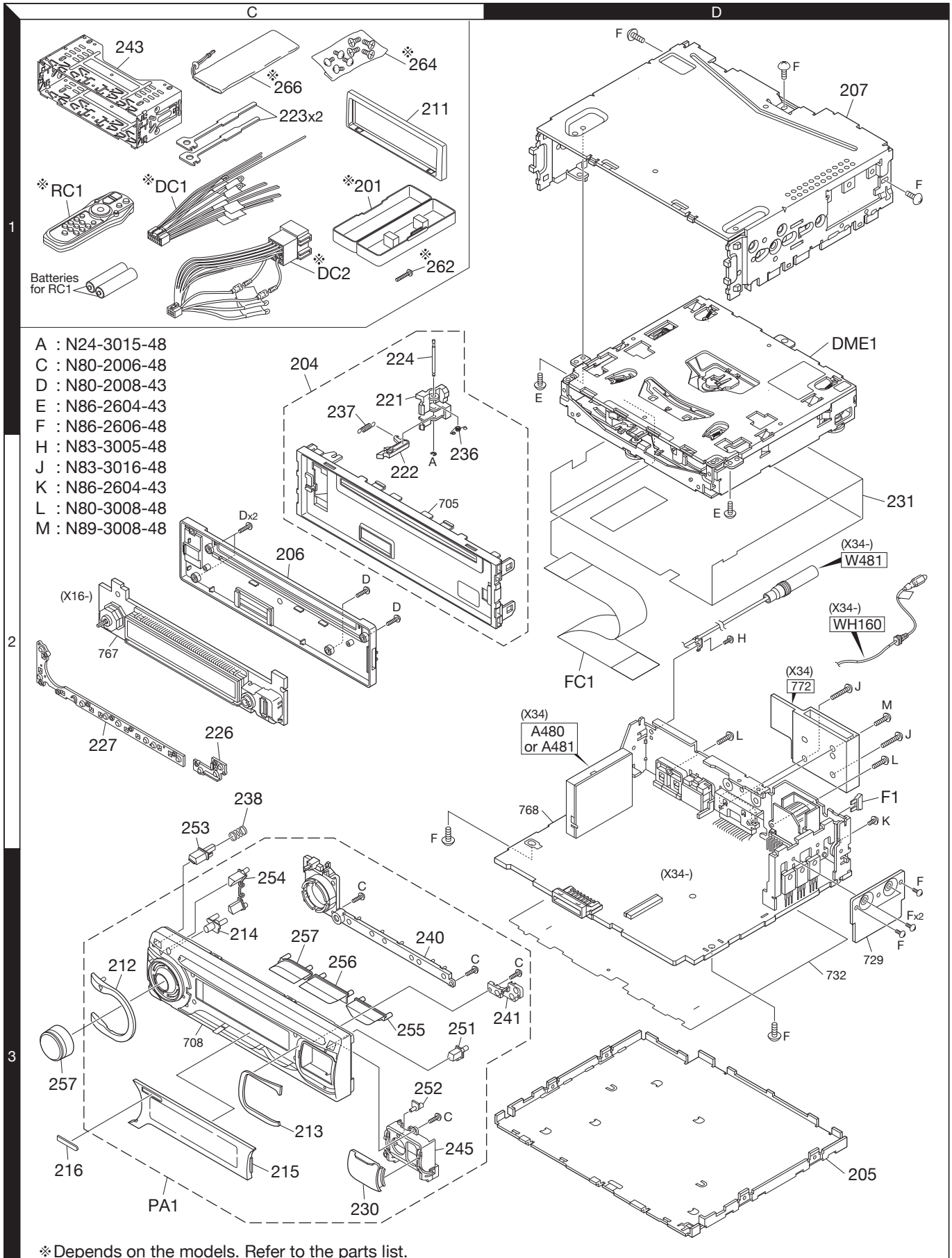
# EXPLODED VIEW (CD MECHANISM)

- A : N09-6108-15
- B : N09-6426-15+
- C : N09-6735-05
- D : N09-6737-15
- E : N09-6738-15
- F : N19-2335-14
- G : N35-2003-48
- H : N39-1720-48



Parts with the exploded numbers larger than 700 are not supplied.

# EXPLODED VIEW (UNIT)



\* Depends on the models. Refer to the parts list.

Parts with the exploded numbers larger than 700 are not supplied.

# PARTS LIST

\* New parts

Parts without **Parts No.** are not supplied.

Les articles non mentionnés dans le **Parts No.** ne sont pas fournis.

Teile ohne **Parts No.** werden nicht geliefert.

Ref. No.	A d	N e w	Parts No.	Description	Desti- nation
<b>KDC-MP442U/MP6043U/W5544U/W5644UY/X493</b>					
201	1C		A02-2755-23	PLASTIC CABINET ASSY	M1
204	1C	*	A22-3204-03	SUB PANEL ASSY	
205	3D	*	A40-1362-02	BOTTOM PLATE	
206	2C	*	A46-1885-01	REAR COVER	
207	1D	*	A52-1109-01	TOP COVER	
PA1	3C	*	A64-4718-02	PANEL ASSY	K
PA1	3C	*	A64-4719-02	PANEL ASSY	K1
PA1	3C	*	A64-4720-02	PANEL ASSY	E1
PA1	3C	*	A64-4721-02	PANEL ASSY	E2
PA1	3C	*	A64-4722-02	PANEL ASSY	M1
RC1	1C		A70-2085-15	REMOTE CONTROLLER ASSY (RC-547)	KK1E2
RC1	1C		A70-2085-15	REMOTE CONTROLLER ASSY (RC-547)	M1
-		*	B64-4314-00	INST. MANUAL (ENG.FRE.SPA.)	KK1
-		*	B64-4316-00	INST. MANUAL (ENG.S-CHI.)	M1
-		*	B64-4317-00	INST. MANUAL (ENGLISH)	E1E2
-		*	B64-4318-00	INST. MANUAL (FRE.GER.DUT.)	E1
-		*	B64-4319-00	INST. MANUAL (ITA.SPA.POR.)	E1
-		*	B64-4320-00	INST. MANUAL (RUSSIAN)	E2
211	1C	*	B07-3244-01	ESCUTCHEON (ACCESSORY)	K1
211	1C	*	B07-3245-01	ESCUTCHEON (ACCESSORY)	KE1E2
211	1C	*	B07-3245-01	ESCUTCHEON (ACCESSORY)	M1
212	3C	*	B07-3274-03	ESCUTCHEON (L)	M1
212	3C	*	B07-3275-03	ESCUTCHEON (L)	K1
212	3C	*	B07-3277-03	ESCUTCHEON (L)	E1E2
212	3C	*	B07-3311-03	ESCUTCHEON (L)	K
213	3C	*	B07-3289-03	ESCUTCHEON (R)	KE1E2
213	3C	*	B07-3289-03	ESCUTCHEON (R)	M1
213	3C	*	B07-3291-03	ESCUTCHEON (R)	K1
214	3C	*	B10-5205-04	FRONT GLASS (REMOTE)	
215	3C	*	B10-5206-01	FRONT GLASS (PANEL)	K
215	3C	*	B10-5207-01	FRONT GLASS (PANEL)	K1
215	3C	*	B10-5208-01	FRONT GLASS (PANEL)	E1
215	3C	*	B10-5209-01	FRONT GLASS (PANEL)	E2
215	3C	*	B10-5210-01	FRONT GLASS (PANEL)	M1
216	3C	*	B43-1545-04	BADGE	
221	1C		D10-4446-03	LEVER	
222	2C		D10-4447-03	LEVER	
223	1C		D10-7049-04	LEVER (ACCESSORY)	
224	1C		D21-2329-04	SHAFT	
226	2C	*	E29-2132-03	CONDUCTIVE RUBBER (R)	
227	2C	*	E29-2133-02	CONDUCTIVE RUBBER (L)	
DC1	1C		E30-6428-05	DC CORD	KK1M1
DC2	1C		E30-6671-05	DC CORD	E1E2
FC1	2D	*	E39-1055-05	FLAT CABLE	
230	3C	*	F07-2205-02	COVER	
231	2D		F11-1870-13	SHIELDING COVER	
F1	2D		F52-0023-05	FUSE (MINI BLADE TYPE) (10A)	
236	2C		G01-2987-04	TORSION COIL SPRING	
237	1C		G01-4662-04	EXTENSION SPRING	
238	2C		G01-3244-04	COMPRESSION SPRING (REL)	
-		*	H54-4524-03	ITEM CARTON CASE	K

Ref. No.	A d	N e w	Parts No.	Description	Desti- nation
-		*	H54-4525-03	ITEM CARTON CASE	K1
-		*	H54-4526-03	ITEM CARTON CASE	E1
-		*	H54-4527-03	ITEM CARTON CASE	E2
-		*	H54-4528-03	ITEM CARTON CASE	M1
240	3C	*	J19-7234-02	HOLDER (L)	
241	3D	*	J19-7235-03	HOLDER (R)	
243	1C		J22-0789-03	MOUNTING HARDWARE ASSY	
245	3C	*	J90-1175-02	GUIDE	
251	3C	*	K24-4976-04	PUSH KNOB (EJECT)	
252	3C	*	K24-4977-04	PUSH KNOB (RESET)	
253	2C	*	K24-4982-04	PUSH KNOB (RELEASE)	
254	3C	*	K25-1944-03	PUSH KNOB (PLAY)	
255	3C	*	K24-4978-03	PUSH KNOB (SRC)	
256	3C	*	K24-4979-03	PUSH KNOB (FAVORITE)	
257	3C	*	K24-4980-03	PUSH KNOB (SEARCH)	
257	3C	*	K28-0353-04	KNOB ASSY (VOL)	
262	1C		N84-4016-48	PAN HEAD TAPTITE SCREW	KK1M1
264	1C		N99-1757-15	SCREW SET	KK1M1
A	2C		N24-3015-48	E TYPE RETAINING RING	
C	3C		N80-2006-48	PAN HEAD TAPTITE SCREW	
D	2C		N80-2008-43	PAN HEAD TAPTITE SCREW	
E	1D		N86-2604-43	BINDING HEAD TAPTITE SCREW	
F	1D		N86-2606-48	BINDING HEAD TAPTITE SCREW	
266	1C		W01-1664-05	CARRYING CASE (EXCELON)	K
266	1C		W01-1710-05	CARRYING CASE	K1E1E2
DME1	1D	*	X92-6360-00	MECHANISM ASSY (DXM-9B30W)	
<b>SWITCH UNIT (X16-6500-10)</b>					
D51 -63		*	B30-3210-05	LED (1608,BLUE)	
D64			B30-1779-05	LED (1608,SR)	
D65		*	B30-3210-05	LED (1608,BLUE)	
C8			CK73GB1A105K	CHIP C 1.0UF	K
C10			CK73GB1C104K	CHIP C 0.10UF	K
C27			CK73GB1H102K	CHIP C 1000PF	K
C31			CK73GB1C104K	CHIP C 0.10UF	K
C32			CK73GB1H103K	CHIP C 0.010UF	K
C102,103			CK73GB1H102K	CHIP C 1000PF	K
C104			CK73GB1H103K	CHIP C 0.010UF	K
C105,106			CC73GCH1H330J	CHIP C 33PF	J
J1			E59-0855-05	RECTANGULAR PLUG	
J3			E11-0654-05	3.5D PHONE JACK	
J4			E58-1109-05	RECTANGULAR RECEPTACLE	
CP10,11			RK74HB1J101J	CHIP-COM 100	J 1/16W
CP14			RK74HB1J473J	CHIP-COM 47K	J 1/16W
R10			RK73GB2A104J	CHIP R 100K	J 1/10W
R13			RK73GB2A101J	CHIP R 100	J 1/10W
R15			RK73GB2A101J	CHIP R 100	J 1/10W
R17			RK73GB2A104J	CHIP R 100K	J 1/10W
R20			RK73GB2A101J	CHIP R 100	J 1/10W
R21			RK73GB2A104J	CHIP R 100K	J 1/10W
R51			RK73FB2B122J	CHIP R 1.2K	J 1/8W
R52 ,53			RK73FB2B471J	CHIP R 470	J 1/8W

K : KDC-X493 K1 : KDC-MP442U M1 : KDC-MP6043U  
E1 : KDC-W5544U E2 : KDC-W5644UY

△ Indicates safety critical components.

# PARTS LIST

## SWITCH UNIT (X16-6500-10)

Ref. No.	Add	New	Parts No.	Description	Destination
R54 ,55			RK73FB2B122J	CHIP R 1.2K J 1/8W	
R56			RK73EB2E102J	CHIP R 1.0K J 1/4W	
R57 -59			RK73GB2A123J	CHIP R 12K J 1/10W	
R60 -62			RK73GB2A222J	CHIP R 2.2K J 1/10W	
R63			RK73FB2B122J	CHIP R 1.2K J 1/8W	
R74 ,75			RK73PB2H300J	CHIP R 30 J 1/2W	
R80			RK73GB2A222J	CHIP R 2.2K J 1/10W	
R81			RK73GB2A223J	CHIP R 22K J 1/10W	
R117,118			RK73GB2A103J	CHIP R 10K J 1/10W	
R120			RK73GB2A103J	CHIP R 10K J 1/10W	
R121-123			RK73FB2B100J	CHIP R 10 J 1/8W	
R124,125			RK73GB2A220J	CHIP R 22 J 1/10W	
W1			R92-2053-05	CHIP R 0 OHM J 1/8W	
S1			S70-0951-05	TACT SWITCH	
D114			AVRL1613R3FTA	VARISTOR	
D120			STZ6.8N	ZENER DIODE	
ED1	*		3-BT-263INK	FLUORESCENT INDICATOR TUBE	
IC2			PIC95603	ANALOGUE IC	
Q5			2SC4617	TRANSISTOR	
Q20			KRC404E-P	DIGITAL TRANSISTOR	
Q21			KRA302E-P	DIGITAL TRANSISTOR	
Q22 -24			KRA305-P	DIGITAL TRANSISTOR	
Q51 -53			2SC4617	TRANSISTOR	

## CD PLAYER UNIT (X32-6260-00) IN CD MECHA

C1 ,2			CK73GB1A105K	CHIP C 1.0UF K	
C3			CK73GB1A474K	CHIP C 0.47UF K	
C4 -7			CK73GB1A105K	CHIP C 1.0UF K	
C9			CK73GB1C104K	CHIP C 0.10UF K	
C11			CK73GB1H153K	CHIP C 0.015UF K	
C12			CK73GB1H103K	CHIP C 0.010UF K	
C21			CK73GB1H103K	CHIP C 0.010UF K	
C22			CC73GCH1H220J	CHIP C 22PF J	
C23			CC73GCH1H180J	CHIP C 18PF J	
C24 ,25			CK73GB1H103K	CHIP C 0.010UF K	
C26			CK73FB0J106K	CHIP C 10UF K	
C27			CK73GB1A105K	CHIP C 1.0UF K	
C28			CK73GB1H103K	CHIP C 0.010UF K	
C29			CK73FB0J106K	CHIP C 10UF K	
C30 -33			CK73GB1H103K	CHIP C 0.010UF K	
C34 ,35			CC73GCH1H150J	CHIP C 15PF J	
C36			CK73GB1H103K	CHIP C 0.010UF K	
C37			CK73GB1A105K	CHIP C 1.0UF K	
C38			CK73GB1H103K	CHIP C 0.010UF K	
C51			CK73GB1C104K	CHIP C 0.10UF K	
C52			CK73GB1H222K	CHIP C 2200PF K	
C53			CK73FB1C105K	CHIP C 1.0UF K	
C54			CK73GB1H103K	CHIP C 0.010UF K	
C55			CK73GB1H332K	CHIP C 3300PF K	
C56			CK73GB1C104K	CHIP C 0.10UF K	
C57			CK73GB1H153K	CHIP C 0.015UF K	
C58			CK73GB1C104K	CHIP C 0.10UF K	
C59			CC73GCH1H680J	CHIP C 68PF J	
C61			CK73GB1C104K	CHIP C 0.10UF K	
C62			CK73FB0J106K	CHIP C 10UF K	

Ref. No.	Add	New	Parts No.	Description	Destination
C63			CK73GB1H333K	CHIP C 0.033UF K	
C64			CK73GB1H472K	CHIP C 4700PF K	
C65			CK73GB1C104K	CHIP C 0.10UF K	
C66			CK73GB1H153K	CHIP C 0.015UF K	
C67			CK73GB1H103K	CHIP C 0.010UF K	
C68			CK73GB1C104K	CHIP C 0.10UF K	
C69			CK73FB0J106K	CHIP C 10UF K	
C71			CK73FB0J106K	CHIP C 10UF K	
C73 ,74			CK73GB1H102K	CHIP C 1000PF K	
C75 -77			CK73GB1C104K	CHIP C 0.10UF K	
C78			CK73GB1A105K	CHIP C 1.0UF K	
C79 -81			CK73GB1C104K	CHIP C 0.10UF K	
C83			CC73GCH1H470J	CHIP C 47PF J	
C84			CK73GB1H153K	CHIP C 0.015UF K	
C85			CK73GB1A105K	CHIP C 1.0UF K	
C86			CK73GB1H103K	CHIP C 0.010UF K	
C92			CK73FB1A225K	CHIP C 2.2UF K	
C93			CC73GCH1H101J	CHIP C 100PF J	
C94			CC73GCH1H560J	CHIP C 56PF J	
C101,102			CK73GB1H103K	CHIP C 0.010UF K	
C113			CK73GB1C104K	CHIP C 0.10UF K	
C114			CK73GB1H103K	CHIP C 0.010UF K	
CN1			E41-2954-05	FLAT CABLE CONNECTOR	
CN2			E41-2083-15	FLAT CABLE CONNECTOR	
X1			L77-2964-05	CRYSTAL RESONATOR (9.00MHZ)	
X2	*		L77-2921-15	CRYSTAL RESONATOR (32.768KHZ)	
X3			L78-1221-05	RESONATOR (16.93MHZ)	
CP10			RK74GA1J101J	CHIP-COM 100 J 1/16W	
CP11 ,12			RK74GB1J101J	CHIP-COM 100 J 1/16W	
CP15			RK74GB1J103J	CHIP-COM 10K J 1/16W	
CP22			RK74GB1J103J	CHIP-COM 10K J 1/16W	
CP32			RK74GA1J101J	CHIP-COM 100 J 1/16W	
R1 ,2			RK73EB2E4R7J	CHIP R 4.7 J 1/4W	
R3			RK73GB2A202J	CHIP R 2.0K J 1/10W	
R4			RK73GB2A103J	CHIP R 10K J 1/10W	
R10			RK73GB2A000J	CHIP R 0.0 J 1/10W	
R19			RK73GB2A223J	CHIP R 22K J 1/10W	
R21			RK73GB2A102J	CHIP R 1.0K J 1/10W	
R23			RK73GB2A223J	CHIP R 22K J 1/10W	
R24			RK73GB2A101J	CHIP R 100 J 1/10W	
R25			RK73GB2A104J	CHIP R 100K J 1/10W	
R26			RK73GB2A2R2J	CHIP R 2.2 J 1/10W	
R27			RK73GB2A101J	CHIP R 100 J 1/10W	
R28 ,29			RK73GB2A102J	CHIP R 1.0K J 1/10W	
R30			RK73GB2A223J	CHIP R 22K J 1/10W	
R31			RK73GB2A000J	CHIP R 0.0 J 1/10W	
R33			RK73GB2A223J	CHIP R 22K J 1/10W	
R36			RK73GB2A102J	CHIP R 1.0K J 1/10W	
R38			RK73GB2A102J	CHIP R 1.0K J 1/10W	
R41			RK73GB2A223J	CHIP R 22K J 1/10W	
R44			RK73GB2A223J	CHIP R 22K J 1/10W	
R45			RK73GB2A101J	CHIP R 100 J 1/10W	
R47			RK73GB2A000J	CHIP R 0.0 J 1/10W	

K : KDC-X493 K1 : KDC-MP442U M1 : KDC-MP6043U  
E1 : KDC-W5544U E2 : KDC-W5644UY

△ Indicates safety critical components.

# PARTS LIST

## CD PLAYER UNIT (X32-6260-00) IN CD MECHA

Ref. No.	Add	New	Parts No.	Description	Destination
R48			RK73GB2A105J	CHIP R 1.0M J 1/10W	
R49			RK73GB2A102J	CHIP R 1.0K J 1/10W	
R50			RK73GB2A223J	CHIP R 22K J 1/10W	
R51			RK73GB2A102J	CHIP R 1.0K J 1/10W	
R52			RK73GB2A100J	CHIP R 10 J 1/10W	
R53			RK73GB2A153J	CHIP R 15K J 1/10W	
R54			RK73GB2A100J	CHIP R 10 J 1/10W	
R55			RK73GB2A153J	CHIP R 15K J 1/10W	
R57			RK73GB2A223J	CHIP R 22K J 1/10W	
R58 ,59			RK73GB2A101J	CHIP R 100 J 1/10W	
R63			RK73GB2A223J	CHIP R 22K J 1/10W	
R65 ,66			RK73GB2A332J	CHIP R 3.3K J 1/10W	
R67 -69			RK73GB2A101J	CHIP R 100 J 1/10W	
R70			RK73GB2A223J	CHIP R 22K J 1/10W	
R81 ,82			RK73GB2A101J	CHIP R 100 J 1/10W	
R84			RK73GB2A101J	CHIP R 100 J 1/10W	
R86			RK73GB2A101J	CHIP R 100 J 1/10W	
R88			RK73GB2A101J	CHIP R 100 J 1/10W	
R90 -94			RK73GB2A101J	CHIP R 100 J 1/10W	
R95 -98			RK73GB2A223J	CHIP R 22K J 1/10W	
R101			RK73GB2A221J	CHIP R 220 J 1/10W	
R102			RK73GB2A4R7J	CHIP R 4.7 J 1/10W	
R103			RK73GB2A102J	CHIP R 1.0K J 1/10W	
R104			RK73GB2A225J	CHIP R 2.2M J 1/10W	
R105			RK73GB2A104J	CHIP R 100K J 1/10W	
R106			RK73GB2A472J	CHIP R 4.7K J 1/10W	
R107			RK73GB2A560J	CHIP R 56 J 1/10W	
R108			RK73GB2A333J	CHIP R 33K J 1/10W	
R109			RK73GB2A622J	CHIP R 6.2K J 1/10W	
R110			RK73GB2A913J	CHIP R 91K J 1/10W	
R112,113			RK73GB2A4R7J	CHIP R 4.7 J 1/10W	
R115			RK73GB2A105J	CHIP R 1.0M J 1/10W	
R116			RK73GB2A681J	CHIP R 680 J 1/10W	
R117-121			RK73GB2A103J	CHIP R 10K J 1/10W	
R123			RK73GB2A104J	CHIP R 100K J 1/10W	
R127			RK73GB2A153J	CHIP R 15K J 1/10W	
R128			RK73GB2A334J	CHIP R 330K J 1/10W	
R131			RK73GB2A204J	CHIP R 200K J 1/10W	
R132			RK73GB2A101J	CHIP R 100 J 1/10W	
R136			RK73GB2A363J	CHIP R 36K J 1/10W	
R137			RK73GB2A223J	CHIP R 22K J 1/10W	
R139			RK73GB2A393J	CHIP R 39K J 1/10W	
R151			RK73GB2A333J	CHIP R 33K J 1/10W	
R152			RK73GB2A223J	CHIP R 22K J 1/10W	
R173-178			RK73GB2A2R2J	CHIP R 2.2 J 1/10W	
R180			RK73GB2A102J	CHIP R 1.0K J 1/10W	
S1 ,2			S68-0924-05	PUSH SWITCH	
D1			DAP202U	DIODE	
D2 ,3			DA204U	DIODE	
IC1		*	92CD28AFG7C32	MICROCONTROLLER IC	
IC2			TC94A92FG-301	MOS-IC	
IC3			BD8222EFV	ANALOGUE IC	
IC4			MF1341S2162	MICROPROCESSOR IC	

Ref. No.	Add	New	Parts No.	Description	Destination
IC5			74AHCT08PW	MOS-IC	
IC6			74LVC08APW	MOS-IC	
IC7			XC6415S001P1	MOS-IC	
IC8			BR24L04FV-W	ROM IC	
IC9			XC6219B332MR	ANALOGUE IC	
Q3			RUE003N02	FET	
Q5			2SA1577	TRANSISTOR	
Q6			DTC114YUA	DIGITAL TRANSISTOR	
Q7			2SB0970	TRANSISTOR	
Q9			DTC114YUA	DIGITAL TRANSISTOR	
<b>ELECTRIC UNIT (X34-630x-xx)</b>					
C2			CD04AZ1C332M2	ELECTRO 3300UF 16WV	K1E1E2
C2			CD04AZ1C332M2	ELECTRO 3300UF 16WV	M1
C2			C90-6746-05	ELECTRO 3300UF 16WV	K
C3			CK73GB1H103K	CHIP C 0.010UF K	
C4			CK73GB1H102K	CHIP C 1000PF K	
C10			CD04AT1A221M	ELECTRO 220UF 10WV	
C12			CK73GB1H102K	CHIP C 1000PF K	
C30			CD04AS0J101M	ELECTRO 100UF 6.3WV	
C31			CD04AS1V100M	ELECTRO 10UF 35WV	
C33			C90-6851-05	ELECTRO 220UF 25WV	
C40			CD04AS1C101M	ELECTRO 100UF 16WV	
C41			CK73GB1A474K	CHIP C 0.47UF K	
C50			CD04AS1C220M	ELECTRO 22UF 16WV	
C52			CK73GB1C104K	CHIP C 0.10UF K	
C70			CK73GB1C104K	CHIP C 0.10UF K	
C71			CK73FB0J106K	CHIP C 10UF K	
C72			CK73GB1A474K	CHIP C 0.47UF K	
C73		*	CK73EB1H475K	CHIP C 4.7UF K	
C74			CK73GB1H102K	CHIP C 1000PF K	
C75			CK73GB1C104K	CHIP C 0.10UF K	
C77			CC73GCH1H331J	CHIP C 330PF J	
C80			CD04AS1C470M	ELECTRO 47UF 16WV	K
C81 ,82			CK73GB1H102K	CHIP C 1000PF K	K
C83			CD04AS1V100M	ELECTRO 10UF 35WV	K
C84			CD04AS1C220M	ELECTRO 22UF 16WV	K
C92			CK73GB1H103K	CHIP C 0.010UF K	
C110			CK73GB1H104K	CHIP C 0.10UF K	
C111			CK73GB1A105K	CHIP C 1.0UF K	
C112			CD04AS1H3R3M	ELECTRO 3.3UF 50WV	
C131			CK73GB1A105K	CHIP C 1.0UF K	
C132			CK73GB1H223K	CHIP C 0.022UF K	
C133			CK73GB1H103K	CHIP C 0.010UF K	
C151			CK73GB1C104K	CHIP C 0.10UF K	
C153			CK73GB1C104K	CHIP C 0.10UF K	
C154			CD04BK1A221M	ELECTRO 220UF 10WV	
C204			CK73GB1A105K	CHIP C 1.0UF K	
C206			CD04AS1A330M	ELECTRO 33UF 10WV	
C208			CK73GB1A224K	CHIP C 0.22UF K	
C210			CK73GB1A224K	CHIP C 0.22UF K	
C212			CK73GB1A224K	CHIP C 0.22UF K	
C214			CK73GB1A224K	CHIP C 0.22UF K	
C217			CK73FB1C105K	CHIP C 1.0UF K	
C222			CK73GB1A105K	CHIP C 1.0UF K	
C261			CK73GB1A474K	CHIP C 0.47UF K	

K : KDC-X493 K1 : KDC-MP442U M1 : KDC-MP6043U  
E1 : KDC-W5544U E2 : KDC-W5644UY

△ Indicates safety critical components.

# PARTS LIST

## ELECTRIC UNIT (X34-630x-xx)

Ref. No.	Add	New	Parts No.	Description	Destination	Ref. No.	Add	New	Parts No.	Description	Destination
C262,263			CK73GB1A105K	CHIP C 1.0UF K		L70			L33-2462-05	SMALL FIXED INDUCTOR	
C264			CK73GB1A474K	CHIP C 0.47UF K		L71 -73		*	L92-0662-05	CHIP FERRITE	
C266			CK73GB1A105K	CHIP C 1.0UF K		L300			L41-4795-33	SMALL FIXED INDUCTOR (4.7UH)	
C269,270			CD04AS1H2R2M	ELECTRO 2.2UF 50WV		X300			L78-0872-05	RESONATOR (12MHZ)	
C271,272			CK73GB1A105K	CHIP C 1.0UF K		X301			L77-2921-15	CRYSTAL RESONATOR (32.768KHZ)	
C273-275			CD04AS1H2R2M	ELECTRO 2.2UF 50WV		X500			L77-2002-05	CRYSTAL RESONATOR	E1E2
C276			CD04AS1V100M	ELECTRO 10UF 35WV	K1E1E2	H	2D		N83-3005-48	PAN HEAD TAPTITE SCREW	
C276			CD04AS1V100M	ELECTRO 10UF 35WV	M1	J	2D		N83-3016-48	PAN HEAD TAPTITE SCREW	
C277			CK73GB1H103K	CHIP C 0.010UF K		K	2D		N86-2604-43	BINDING HEAD TAPTITE SCREW	
C278,279			CK73GB1A105K	CHIP C 1.0UF K		L	2D		N80-3008-48	PAN HEAD TAPTITE SCREW	
C286			CD04AS1C470M	ELECTRO 47UF 16WV		M	2D		N89-3008-48	BINDING HEAD TAPTITE SCREW	
C287			CK73GB1H103K	CHIP C 0.010UF K		CP240			RK74GA1J101J	CHIP-COM 100 J 1/16W	
C300			CK73GB1C104K	CHIP C 0.10UF K		CP301			RK74HB1J101J	CHIP-COM 100 J 1/16W	
C301			CK73GB1H103K	CHIP C 0.010UF K		CP302			RK74HB1J331J	CHIP-COM 330 J 1/16W	
C302			CC73GCH1H220J	CHIP C 22PF J		CP303			RK74HB1J101J	CHIP-COM 100 J 1/16W	
C302			CC73GCH1H220J	CHIP C 22PF J		CP305			RK74GA1J101J	CHIP-COM 100 J 1/16W	
C303			CC73GCH1H180J	CHIP C 18PF J		CP306			RK74GA1J472J	CHIP-COM 4.7K J 1/16W	
C305,306			CK73GB0J105K	CHIP C 1.0UF K		CP307			RK74HB1J101J	CHIP-COM 100 J 1/16W	
C307			CK73GB1H102K	CHIP C 1000PF K		CP308			RK74GA1J101J	CHIP-COM 100 J 1/16W	
C310			CK73GB0J105K	CHIP C 1.0UF K		CP310			RK74GA1J104J	CHIP-COM 100K J 1/16W	
C311,312			CK73GB1H103K	CHIP C 0.010UF K		CP501			RK74HB1J222J	CHIP-COM 2.2K J 1/16W	E1E2
C314			CK73GB1A105K	CHIP C 1.0UF K		R1 ,2			RK73EB2E103J	CHIP R 10K J 1/4W	
C315			CK73GB1H103K	CHIP C 0.010UF K		R10			RK73GH2A243D	CHIP R 24K D 1/10W	
C400			CK73FB1E474K	CHIP C 0.47UF K		R11			RK73GH2A432D	CHIP R 4.3K D 1/10W	
C401			CD04AT0J470M	ELECTRO 47UF 6.3WV		R12			RK73FB2B221J	CHIP R 220 J 1/8W	
C402			CK73FB1E474K	CHIP C 0.47UF K		R30			RK73FB2B822J	CHIP R 8.2K J 1/8W	
C403			CK73GB1H103K	CHIP C 0.010UF K		R31			RK73GB2A223J	CHIP R 22K J 1/10W	
C440			CD04AS1V100M	ELECTRO 10UF 35WV		R33			RK73FB2B123J	CHIP R 12K J 1/8W	
C441,442			CK73GB1H102K	CHIP C 1000PF K		R40			RK73GB2A104J	CHIP R 100K J 1/10W	
C443			CD04AS1V100M	ELECTRO 10UF 35WV		R41			RK73EB2E681J	CHIP R 680 J 1/4W	
C450			CD04AS1V100M	ELECTRO 10UF 35WV	KK1M1	R51			RK73GB2A473J	CHIP R 47K J 1/10W	
C451,452			CK73GB1H102K	CHIP C 1000PF K	KK1M1	R52			RK73FB2B272J	CHIP R 2.7K J 1/8W	
C453			CD04AS1V100M	ELECTRO 10UF 35WV	KK1M1	R71			RK73GH2A133D	CHIP R 13K D 1/10W	
C460			CD04AS1V100M	ELECTRO 10UF 35WV	KK1M1	R72			RK73GH2A823D	CHIP R 82K D 1/10W	
C461,462			CK73GB1H102K	CHIP C 1000PF K	KK1M1	R73			RK73GB2A103J	CHIP R 10K J 1/10W	
C463			CD04AS1V100M	ELECTRO 10UF 35WV	KK1M1	R74			RK73GH2A153D	CHIP R 15K D 1/10W	
C482-485			CK73GB1H103K	CHIP C 0.010UF K		R75			RK73EB2E680J	CHIP R 68 J 1/4W	
C500			CK73GB1C104K	CHIP C 0.10UF K	E1E2	R80			RK73GB2A101J	CHIP R 100 J 1/10W	K
C502			CK73FB1A225K	CHIP C 2.2UF K	E1E2	R81			RK73GB2A473J	CHIP R 47K J 1/10W	K
C503			CC73GCH1H271J	CHIP C 270PF J	E1E2	R82			RK73GB2A222J	CHIP R 2.2K J 1/10W	K
C505			CK73GB1H103K	CHIP C 0.010UF K	E1E2	R83			RK73GB2A362J	CHIP R 3.6K J 1/10W	K
C506,507			CC73GCH1H180J	CHIP C 18PF J	E1E2	R84			RK73GB2A432J	CHIP R 4.3K J 1/10W	K
C520			CK73FB1E474K	CHIP C 0.47UF K		R85			RK73GB2A562J	CHIP R 5.6K J 1/10W	K
C522			CD04AT0J470M	ELECTRO 47UF 6.3WV		R86			RK73GB2A2R2J	CHIP R 2.2 J 1/10W	K
C525			CK73FB1E474K	CHIP C 0.47UF K		R87			RK73FB2B102J	CHIP R 1.0K J 1/8W	K
C530			CK73GB1A224K	CHIP C 0.22UF K		R90 ,91			RK73GB2A103J	CHIP R 10K J 1/10W	K
CN170			E41-2352-05	FLAT CABLE CONNECTOR		R96			RK73GB2A183J	CHIP R 18K J 1/10W	
△ J1			E58-0991-05	RECTANGULAR RECEPTACLE		R97			RK73GB2A104J	CHIP R 100K J 1/10W	
J400			E56-0855-05	CYLINDRICAL RECEPTACLE		R98			RK73FB2B203J	CHIP R 20K J 1/8W	
J420			E63-0960-05	PIN JACK (3-PRE)	KK1M1	R99			RK73EB2E473J	CHIP R 47K J 1/4W	
J420		*	E63-0962-05	PIN JACK (1-PRE)	E1E2	R100			RK73FB2B683J	CHIP R 68K J 1/8W	
J520			E58-1095-05	RECTANGULAR RECEPTACLE		R101			RK73GB2A473J	CHIP R 47K J 1/10W	
W481	2D		E30-6438-05	CORD WITH PLUG (ANT)		R102-104			RK73EB2E102J	CHIP R 1.0K J 1/4W	
WH160	2D	*	E30-6870-05	WIRING HARNESS (REMOTE)		R110,111			RK73PB2H561J	CHIP R 560 J 1/2W	
△ L1			L33-2365-05	CHOKE COIL ASSY							

K : KDC-X493 K1 : KDC-MP442U M1 : KDC-MP6043U  
E1 : KDC-W5544U E2 : KDC-W5644UY

△ Indicates safety critical components.

# PARTS LIST

## ELECTRIC UNIT (X34-630x-xx)

Ref. No.	A d d	N e w	Parts No.	Description	Desti- nation
R112			RK73GB2A223J	CHIP R 22K J 1/10W	KK1M1 E1E2
R113,114			RK73PB2H561J	CHIP R 560 J 1/2W	
R115			RK73FB2B472J	CHIP R 4.7K J 1/8W	
R116			RK73GB2A223J	CHIP R 22K J 1/10W	
R117			RK73GB2A000J	CHIP R 0.0 J 1/10W	
R118,119			RK73PB2H221J	CHIP R 220 J 1/2W	KK1M1
R120			RK73FB2B472J	CHIP R 4.7K J 1/8W	
R130,131			RK73GB2A104J	CHIP R 100K J 1/10W	
R132			RK73GB2A473J	CHIP R 47K J 1/10W	
R150			RK73GB2A223J	CHIP R 22K J 1/10W	
R160			RK73EB2E471J	CHIP R 470 J 1/4W	
R171			RK73GB2A000J	CHIP R 0.0 J 1/10W	
R173			RK73GB2A000J	CHIP R 0.0 J 1/10W	
R176			RK73GB2A000J	CHIP R 0.0 J 1/10W	
R201			RK73GB2A333J	CHIP R 33K J 1/10W	
R202			RK73GB2A000J	CHIP R 0.0 J 1/10W	
R206			RK73GB2A000J	CHIP R 0.0 J 1/10W	
R207			RK73GB2A104J	CHIP R 100K J 1/10W	
R208			RK73GB2A100J	CHIP R 10 J 1/10W	
R210			RK73GB2A331J	CHIP R 330 J 1/10W	
R211			RK73GB2A223J	CHIP R 22K J 1/10W	
R213			RK73GB2A133J	CHIP R 13K J 1/10W	
R260,261			RK73GB2A103J	CHIP R 10K J 1/10W	
R262,263			RK73GB2A101J	CHIP R 100 J 1/10W	
R300			RK73GB2A225J	CHIP R 2.2M J 1/10W	
R302			RK73GB2A103J	CHIP R 10K J 1/10W	E1E2 KK1M1
R303-305			RK73GB2A104J	CHIP R 100K J 1/10W	
R303,304			RK73GB2A104J	CHIP R 100K J 1/10W	
R306			RK73GB2A473J	CHIP R 47K J 1/10W	
R307			RK73GB2A104J	CHIP R 100K J 1/10W	
R311			RK73GB2A473J	CHIP R 47K J 1/10W	E1E2
R312			RK73GB2A101J	CHIP R 100 J 1/10W	
R313			RK73GB2A102J	CHIP R 1.0K J 1/10W	
R314			RK73GB2A223J	CHIP R 22K J 1/10W	
R315			RK73GB2A222J	CHIP R 2.2K J 1/10W	
R316			RK73GB2A101J	CHIP R 100 J 1/10W	
R317			RK73GB2A102J	CHIP R 1.0K J 1/10W	
R318			RK73GB2A473J	CHIP R 47K J 1/10W	
R319			RK73GB2A103J	CHIP R 10K J 1/10W	
R320			RK73GB2A333J	CHIP R 33K J 1/10W	
R321			RK73GB2A104J	CHIP R 100K J 1/10W	
R323			RK73GB2A104J	CHIP R 100K J 1/10W	
R324			RK73GB2A472J	CHIP R 4.7K J 1/10W	
R325			RK73GB2A104J	CHIP R 100K J 1/10W	
R326			RK73GB2A472J	CHIP R 4.7K J 1/10W	
R327			RK73GB2A104J	CHIP R 100K J 1/10W	KK1M1 E1E2
R328			RK73GB2A392J	CHIP R 3.9K J 1/10W	
R330			RK73GB2A104J	CHIP R 100K J 1/10W	
R331			RK73GB2A222J	CHIP R 2.2K J 1/10W	
R331,332			RK73GB2A222J	CHIP R 2.2K J 1/10W	
R333			RK73GB2A104J	CHIP R 100K J 1/10W	
R334			RK73GB2A331J	CHIP R 330 J 1/10W	
R335			RK73GB2A392J	CHIP R 3.9K J 1/10W	
R336			RK73GB2A101J	CHIP R 100 J 1/10W	
R337			RK73GB2A471J	CHIP R 470 J 1/10W	

Ref. No.	A d d	N e w	Parts No.	Description	Desti- nation
R338			RK73GB2A104J	CHIP R 100K J 1/10W	
R340			RK73GB2A473J	CHIP R 47K J 1/10W	
R341			RK73GB2A102J	CHIP R 1.0K J 1/10W	
R342,343			RK73GB2A101J	CHIP R 100 J 1/10W	
R348			RK73GB2A471J	CHIP R 470 J 1/10W	
R349			RK73GB2A222J	CHIP R 2.2K J 1/10W	E2 M1 E1
R350,351			RK73GB2A471J	CHIP R 470 J 1/10W	
R352			RK73GB2A223J	CHIP R 22K J 1/10W	
R352			RK73GB2A473J	CHIP R 47K J 1/10W	
R352,353			RK73GB2A473J	CHIP R 47K J 1/10W	
R353			RK73GB2A223J	CHIP R 22K J 1/10W	M1 K1E2 K K
R353			RK73GB2A473J	CHIP R 47K J 1/10W	
R353,354			RK73GB2A473J	CHIP R 47K J 1/10W	
R355			RK73GB2A223J	CHIP R 22K J 1/10W	
R355,356			RK73GB2A473J	CHIP R 47K J 1/10W	
R355,356			RK73GB2A473J	CHIP R 47K J 1/10W	M1 K
R356			RK73GB2A473J	CHIP R 47K J 1/10W	
R357			RK73GB2A222J	CHIP R 2.2K J 1/10W	
R358			RK73GB2A473J	CHIP R 47K J 1/10W	
R360			RK73GB2A223J	CHIP R 22K J 1/10W	
R361			RK73GB2A104J	CHIP R 100K J 1/10W	
R400,401			RK73EB2E432J	CHIP R 4.3K J 1/4W	
R402			RK73EB2E101J	CHIP R 100 J 1/4W	
R403			RK73EB2E432J	CHIP R 4.3K J 1/4W	
R404			RK73EB2E102J	CHIP R 1.0K J 1/4W	
R405			RK73EB2E101J	CHIP R 100 J 1/4W	
R406			RK73EB2E100J	CHIP R 10 J 1/4W	
R407			RK73EB2E4R7J	CHIP R 4.7 J 1/4W	
R408			RK73EB2E100J	CHIP R 10 J 1/4W	
R409			RK73EB2E102J	CHIP R 1.0K J 1/4W	
R410			RK73EB2E101J	CHIP R 100 J 1/4W	
R411			RK73GB2A102J	CHIP R 1.0K J 1/10W	
R440			RK73FB2B181J	CHIP R 180 J 1/8W	
R441			RK73GB2A331J	CHIP R 330 J 1/10W	
R442,443			RK73GB2A223J	CHIP R 22K J 1/10W	
R444			RK73FB2B181J	CHIP R 180 J 1/8W	KK1M1 KK1M1 KK1M1
R445			RK73GB2A331J	CHIP R 330 J 1/10W	
R450			RK73FB2B181J	CHIP R 180 J 1/8W	
R451			RK73GB2A331J	CHIP R 330 J 1/10W	
R452,453			RK73GB2A223J	CHIP R 22K J 1/10W	
R454			RK73FB2B181J	CHIP R 180 J 1/8W	KK1M1 KK1M1 KK1M1 KK1M1
R455			RK73GB2A331J	CHIP R 330 J 1/10W	
R460			RK73FB2B181J	CHIP R 180 J 1/8W	
R461			RK73GB2A331J	CHIP R 330 J 1/10W	
R462,463			RK73GB2A223J	CHIP R 22K J 1/10W	
R464			RK73FB2B181J	CHIP R 180 J 1/8W	KK1M1 KK1M1
R465			RK73GB2A331J	CHIP R 330 J 1/10W	
R480,481			RK73GB2A471J	CHIP R 470 J 1/10W	
R482			RK73FB2B821J	CHIP R 820 J 1/8W	
R483			RK73GB2A223J	CHIP R 22K J 1/10W	
R500			RK73GB2A512J	CHIP R 5.1K J 1/10W	E1E2 E1E2
R505			RK73GB2A102J	CHIP R 1.0K J 1/10W	
R520			RK73EB2E102J	CHIP R 1.0K J 1/4W	
R523,524			RK73EB2E101J	CHIP R 100 J 1/4W	
R525,526			RK73EB2E102J	CHIP R 1.0K J 1/4W	

K : KDC-X493 K1 : KDC-MP442U M1 : KDC-MP6043U  
E1 : KDC-W5544U E2 : KDC-W5644UY

△Indicates safety critical components.

# PARTS LIST

## ELECTRIC UNIT (X34-630x-xx)

Ref. No.	Add	New	Parts No.	Description	Destination	Ref. No.	Add	New	Parts No.	Description	Destination
R527,528			RK73EB2E101J	CHIP R 100 J 1/4W		Q41			2SB1565	TRANSISTOR	
R529			RK73GB2A4R7J	CHIP R 4.7 J 1/10W		Q42			KRA303-P	DIGITAL TRANSISTOR	
R530			RK73EB2E102J	CHIP R 1.0K J 1/4W		Q43			KRC403-P	DIGITAL TRANSISTOR	
R531			RK73EB2E100J	CHIP R 10 J 1/4W		Q50			2SC4081	TRANSISTOR	
R534			RK73EB2E100J	CHIP R 10 J 1/4W		Q51			2SB1184(Q,R)	TRANSISTOR	
R536			RK73EB2E100J	CHIP R 10 J 1/4W		Q52			KRA303-P	DIGITAL TRANSISTOR	
R537			RK73EB2E102J	CHIP R 1.0K J 1/4W		Q53			KRC403-P	DIGITAL TRANSISTOR	
R538			RK73EB2E222J	CHIP R 2.2K J 1/4W		Q80			2SC4081	TRANSISTOR	K
R630,631			RK73GB2A473J	CHIP R 47K J 1/10W		Q81			2SC5053	TRANSISTOR	K
R632			RK73GB2A104J	CHIP R 100K J 1/10W		Q82			KRA303-P	DIGITAL TRANSISTOR	K
R633			RK73GB2A473J	CHIP R 47K J 1/10W		Q83			KRC403-P	DIGITAL TRANSISTOR	K
W80			R92-2053-05	CHIP R 0 OHM J 1/8W	K1E1E2	Q90			2SC4081	TRANSISTOR	
W80			R92-2053-05	CHIP R 0 OHM J 1/8W	M1	Q92 ,93			2SC4081	TRANSISTOR	
W480			R92-2053-05	CHIP R 0 OHM J 1/8W		Q110			KRC407-P	DIGITAL TRANSISTOR	
						Q111			KRA302-P	DIGITAL TRANSISTOR	
D1			S2V60-5009F46	DIODE		Q112			2SA1576A	TRANSISTOR	
D30			UDZW5.6(B)	ZENER DIODE		Q113			2SB1188(Q,R)	TRANSISTOR	E1E2
D31			D1FJ4	DIODE		Q113,114			2SB1188(Q,R)	TRANSISTOR	KK1M1
D40			UDZW8.2(B)	ZENER DIODE		Q115			KRC407-P	DIGITAL TRANSISTOR	KK1M1
D50			UDZW12(B)	ZENER DIODE		Q130			KRC404-P	DIGITAL TRANSISTOR	
D70		*	CMS14	DIODE		Q440			KRC410-P	DIGITAL TRANSISTOR	
D80			D1F60-5063	DIODE	K	Q441			KRA303-P	DIGITAL TRANSISTOR	
D81 ,82			UDZW5.6(B)	ZENER DIODE	K	Q442			KRC410-P	DIGITAL TRANSISTOR	
D90			UDZW6.2(B)	ZENER DIODE		Q450,451			KRC410-P	DIGITAL TRANSISTOR	KK1M1
D92 ,93			UDZW6.8(B)	ZENER DIODE		Q460			KRC410-P	DIGITAL TRANSISTOR	KK1M1
D110			1SS355	DIODE		Q461			KRA303-P	DIGITAL TRANSISTOR	KK1M1
D111-114			D1F60-5063	DIODE		Q462			KRC410-P	DIGITAL TRANSISTOR	KK1M1
D130			UDZW4.7(B)	ZENER DIODE		Q480			KRC403-P	DIGITAL TRANSISTOR	
D200			DAP202U	DIODE		Q481			2SA1577	TRANSISTOR	
D263-265			DAP202U	DIODE		Q520			KRA307-P	DIGITAL TRANSISTOR	
D403			UDZW6.2(B)	ZENER DIODE		TH200			PRF18BE471QS2	POSITIVE RESISTOR	
D406			UDZW6.2(B)	ZENER DIODE		A480	2D		X86-4032-70	FRONT-END UNIT	E1E2
D408-410			UDZW6.8(B)	ZENER DIODE		A481	2D		X86-4230-11	FRONT-END UNIT	KK1M1
D441			DAP202U	DIODE		<b>MECHANISM ASSY (X92-6360-00) DXM-9B30W</b>					
D461			DAP202U	DIODE	KK1M1	1	2B		A10-5450-53	CHASSIS ASSY	
D532-534			UDZW6.8(B)	ZENER DIODE		3	3B		A10-5452-41	CHASSIS	
IC10			M5237ML-CF0J	ANALOGUE IC		4	1B		A10-5453-32	CHASSIS	
IC70		*	LT3685EMSE	ANALOGUE IC		12	3A		D10-4993-52	LEVER	
IC150			BD6538G	MOS-IC		13	1B		D10-4991-22	ARM	
IC200			E-TDA7851A	ANALOGUE IC		14	1B		D10-4992-13	ARM	
IC241			M24C08-RDW6TP	ROM IC		15	2A		D10-4994-02	SLIDER	
IC260			E-TDA7415CB	ANALOGUE IC		16	2A		D10-4995-03	SLIDER	
IC301			XC6120N362N1	MOS-IC		17	2B		D10-4996-02	SLIDER	
IC302		*	30622MGPB75GP	MICROCONTROLLER IC	E1E2	18	2A		D10-4997-03	LEVER	
IC302		*	30622MGPB76GP	MICROCONTROLLER IC	KK1M1	19	1A		D10-4998-03	ARM	
IC303			74HC2G02DP	MOS-IC		20	2A		D10-4999-03	ARM	
IC500			E-TDA7478AD	ANALOGUE IC	E1E2	21	2A		D10-7001-03	ARM	
Q10			KRA303-P	DIGITAL TRANSISTOR		22	2A		D10-7002-03	ARM	
Q11			KRC403-P	DIGITAL TRANSISTOR		23	2A		D10-7003-03	ARM	
Q12			2SB1565	TRANSISTOR		24	2A		D13-2445-04	GEAR	
Q30			2SA1576A	TRANSISTOR		25	2A		D13-2446-04	GEAR	
Q31			KRC403-P	DIGITAL TRANSISTOR		27	2A		D13-2448-04	GEAR	
Q32			2SC4081	TRANSISTOR		28	2A		D13-2449-04	GEAR	
Q33			2SB1565	TRANSISTOR							
Q40			2SC4081	TRANSISTOR							

K : KDC-X493 K1 : KDC-MP442U M1 : KDC-MP6043U  
E1 : KDC-W5544U E2 : KDC-W5644UY

△ Indicates safety critical components.

