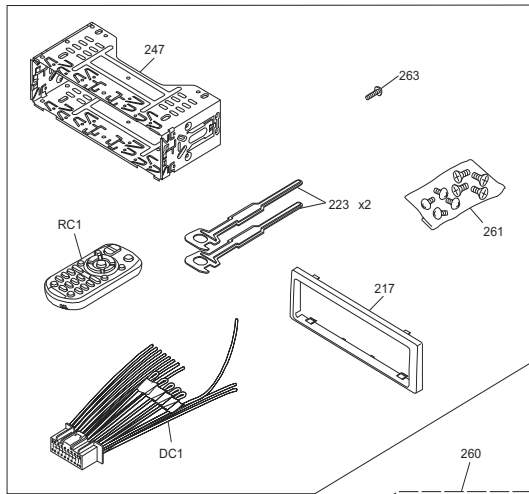
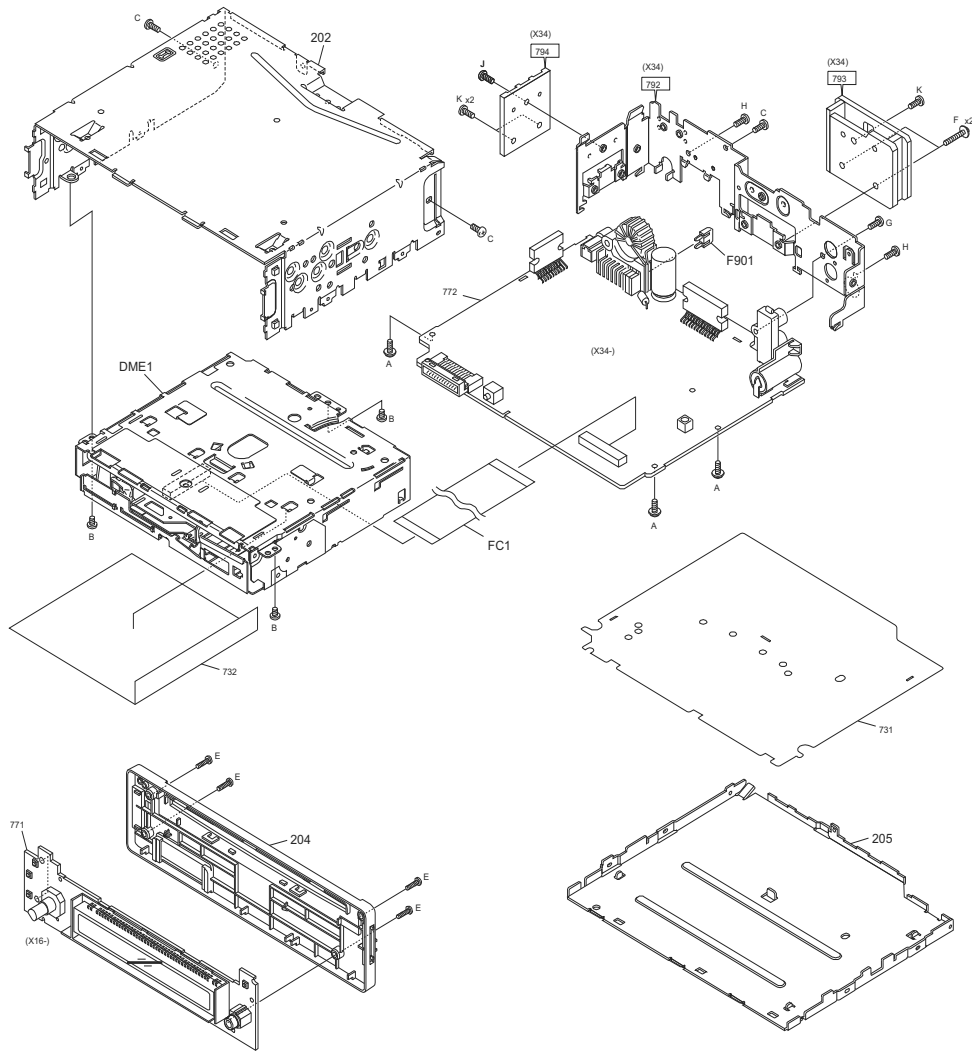


EXPLODED VIEW (UNIT)



Block No.200



Parts with the exploded numbers larger than 700 are not supplied.

created date:2011-09-29

MODEL	MARK	MODEL	MARK	MODEL	MARK
KDC-152	K3	KDC-153	M9	KDC-153S	M8

Safe	Symbol No.	Parts No.	Parts Name	Description	QTY	Local
------	------------	-----------	------------	-------------	-----	-------

EXPLODED VIEW (UNIT) <200>

	DC1	QAM1335-001	DC CORD		1	
	DME1	X92-6740-00	CD MECHANISM ASSY	HCS-1100W	1	
△	F901	QMFZ064-100-J1	CARTRIDGE FUSE	10A	1	
	FC1	WJT0254-001A-E	E-CARD WIRE		1	
	PA1	GE20278-027A	PANEL ASSY (AUX)		1	K3
	PA1	GE20278-028A	PANEL ASSY (AUX)		1	M9
	PA1	GE20278-029A	PANEL ASSY (AUX)		1	M8
	RC1	QAL1303-001	REMOCON UNIT	RC-405	1	K3
	A	GE40377-002A	SCREW		3	
	B	QYSDST2604ZA	TAP SCREW	M2.6 x 4mm	3	
	C	QYSDST2606ZA	TAP SCREW	M2.6 x 6mm	3	
	D	QYSPSF2006ZA	TAP SCREW	M2 x 6mm	1	
	E	QYSPSF2008ZA	TAP SCREW	M2 x 8mm	4	
	F	GE40377-005A	SPECIAL SCREW		2	
	G	QYSDSF2608ZA	TAP SCREW	M2.6 x 8mm	1	
	H	QYSDSG3006ZA	TAP SCREW	M3 x 6mm	2	
	J	QYSDST2608ZA	TAP SCREW	M2.6 x 8mm	1	
	K	QYSDST2610ZA	TAP SCREW	M2.6 x 10mm	3	
	202	GE10283-001A	TOP CHASSIS		1	
	204	GE10286-001A	REAR COVER		1	
	205	GE20271-001A	BOTTOM COVER		1	
	216	GE10290-001A	LIGHT GUIDE (AUX)		1	
	217	GE20274-001A	TRIM PLATE		1	
	221	GE34045-001A	LOCK LEVER		1	
	222	GE34046-001A	RELEASE LEVER		1	
	223	GE40578-001A	HOOK		2	
	226	GE34058-001A	CONDUCT. RUBBER		1	
	238	GE40504-001A	T SPRING		1	
	239	GE40505-001A	COMP.SPRING		1	
	240	GE40505-002A	SPRING		1	
	247	GE34826-001A	M.SLEEVE ASSY		1	
	251	GE34051-001A	ACCENT BTN (PLAY)		1	
	252	GE34059-001A	EJECT BUTTON		1	
	253	GE34060-001A	DETACH BUTTON		1	
	254	GE34061-001A	SRC BUTTON		1	
	255	GE34063-001A	SEARCH BTN		1	
	256	GE34064-001A	PRESET BTN		1	
	259	GE40502-001A	VOL KNOB		1	K3
	259	GE40511-002A	VOL KNOB		1	M9,M8
	260	GE34074-001A	F.CHASSIS ASSY		1	
	261	GE40536-001A	SCREW SET		1	
	263	QYSPSF2008MA	TAP SCREW	M2 x 8mm	1	
-		GET0740-001A	INST.BK/MANUAL	ENG FRE SPA	1	K3
-		GET0741-001A	INST.BK/MANUAL	ENG	1	M9,M8
-		GE34570-001A	INNER CARTON		1	K3
-		GE34624-001A	INNER CARTON		1	M9
-		GE34626-001A	INNER CARTON		1	M8

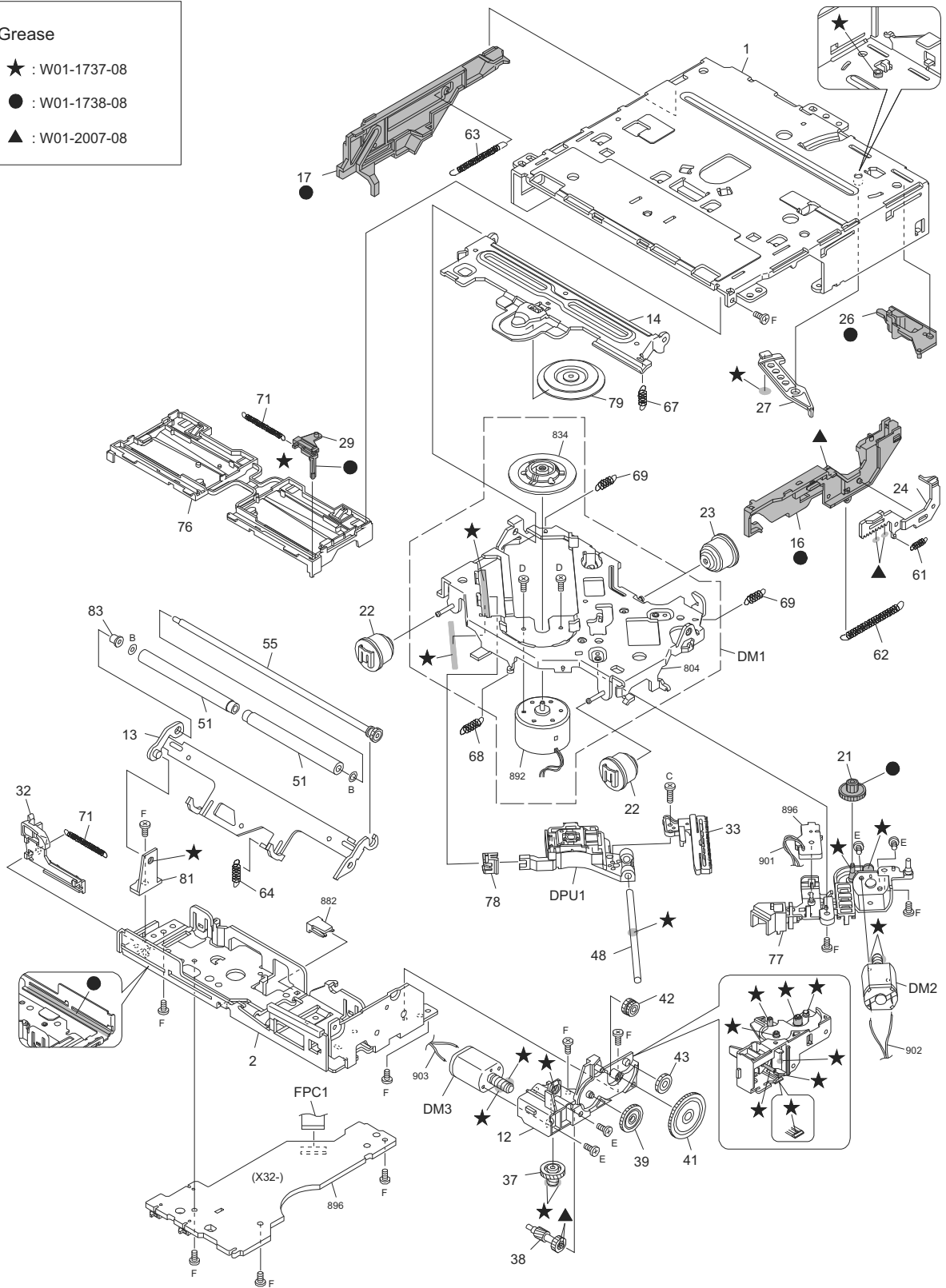
EXPLODED VIEW (CD MECHANISM)

Block No.130

HCS-1100W

Grease

- ★ : W01-1737-08
- : W01-1738-08
- ▲ : W01-2007-08



Parts with the exploded numbers larger than 700 are not supplied.

MODEL	MARK	MODEL	MARK	MODEL	MARK
KDC-152	K3	KDC-153	M9	KDC-153S	M8

Safe	Symbol No.	Parts No.	Parts Name	Description	QTY	Local
------	------------	-----------	------------	-------------	-----	-------

EXPLODED VIEW (CD MECHANISM) <130>

DM1	X94-2150-00	S.MOTOR ASSY			1	
DM2	X94-2160-00	FEED MOTOR ASSY			1	
DM3	X94-2170-00	LOADING MOTOR ASSY			1	
DPU1	QAL1226-001	PICK UP			1	
FPC1	QAL0817-003	FPC			1	
B	LV45449-001A	WASHER			2	
C	QYSPSGT1745ZA	TAP SCREW	M1.7 x 4.5mm		1	
D	LV45568-001A	MINI SCREW			2	
E	QYSPSPT2025MA	SCREW	M2 x 2.5mm		4	
F	VKZ4539-054	MINI SCREW			11	
1	LV11685-503A	TOP FRAME			1	
2	LV11686-501A	BOTTOM FRAME			1	
12	LV11688-501A	LOADING BASE			1	
13	LV11690-501A	ROLLER ARM			1	
14	LV22825-502A	HC CLAMPER BASE			1	
16	LV22826-502A	LOAD CAM			1	
17	LV22827-501A	FL SLIDER(L)			1	
21	LV36815-501A	F WHEEL GEAR			1	
22	LV36904-001A	DAMPER			2	
23	LV37061-001A	DAMPER			1	

24	LV38951-501A	TRIGGER RACK			1	
26	LV38952-501A	FL SLIDER(B)			1	
27	LV38953-501A	TRIGGER PLATE			1	
29	LV38957-501A	SW SLIDER(R)			1	
32	LV39496-502A	SW ACTUATOR2			1	
33	LV38960-501A	FEED RACK			1	
37	LV38964-501A	D.WHEEL GEAR			1	
38	LV38965-501A	ACT GEAR(1)			1	
39	LV38966-501A	ACT GEAR(2)			1	
41	LV38967-501A	ACT GEAR(3)			1	
42	LV38968-501A	ROLLER ACT GEAR			1	
43	LV38969-501A	DRIVE GEAR			1	
48	LV44555-001A	MAIN SHAFT			1	
51	LV45424-001A	HC ROLLER			2	
55	X94-2190-00	ROLLER SHAFT ASSY			1	
61	LV45415-501A	TRIGGER SPRING			1	
62	LV45416-501A	LOAD CAM SPRING			1	
63	LV45417-501A	FL SLIDER SPRING			1	
64	LV45418-501A	R.ARM SPRING			1	
67	LV45421-501A	HC CL SPRING			1	

68	LV45422-501A	SUS SPRING(F)			1	
69	LV45423-501A	SUS SPRING(B)			2	
71	LV45505-502A	SW ACT SPRING			2	
76	LV11689-501A	DISC GUIDE			1	
77	LV22828-501A	FEED BRACKET			1	
78	LV36813-501A	SUB GUIDE CAP			1	
79	LV36819-502A	CLAMPER			1	
81	LV38954-501A	R.ARM GUIDE			1	
83	LV45648-501A	RA COLLAR2			1	

SWITCH UNIT (X16-703x-xx) <X16>

IC601	BU9755KV-X	IC(MOS)			1	
IC602	KSM-2003TN5B	IR DETECT			1	K3
Q602	RT1P141M-X	DIGI TRANSISTOR			1	
D601	DZ2J051/M/-X	Z DIODE			1	
D603	DZ2J051/M/-X	Z DIODE			1	
D604	DZ2J051/M/-X	Z DIODE			1	
D605	DZ2J051/M/-X	Z DIODE			1	
D606	DZ2J051/M/-X	Z DIODE			1	
D607	DZ2J051/M/-X	Z DIODE			1	
D608	DZ2J051/M/-X	Z DIODE			1	
D651	CL-195SR-CD-X	LED			1	
D652	SML-D12V8W-X	LED			1	K3,M8
D652	SML-D12P8W-X	LED			1	M9
D653	SML-D12P8W-X	LED			1	M9
D654	SML-D12P8W-X	LED			1	M9
D655	SML-D12V8W-X	LED			1	K3,M8
D655	SML-D12P8W-X	LED			1	M9
D656	SML-D12P8W-X	LED			1	M9
D657	SML-D12P8W-X	LED			1	M9
D658	SML-D12P8W-X	LED			1	M9

D659	SML-D12V8W-X	LED			1	K3,M8
D659	SML-D12P8W-X	LED			1	M9
D660	SML-D12P8W-X	LED			1	M9
D661	SML-D12P8W-X	LED			1	M9
D662	SML-D12P8W-X	LED			1	M9
D663	SML-D12P8W-X	LED			1	M9
D664	SML-D12V8W-X	LED			1	K3,M8
D664	SML-D12P8W-X	LED			1	M9
D665	SML-D12V8W-X	LED			1	K3,M8
D665	SML-D12P8W-X	LED			1	M9
D666	SML-D12V8W-X	LED			1	K3,M8
D666	SML-D12P8W-X	LED			1	M9
D669	SML-D12P8W-X	LED			1	M9
D670	SML-D12P8W-X	LED			1	M9
D671	SML-D12P8W-X	LED			1	M9
D672	SML-D12P8W-X	LED			1	M9
D673	SML-D12V8W-X	LED			1	K3,M8
D673	SML-D12P8W-X	LED			1	M9
D674	SML-D12V8W-X	LED			1	K3,M8
D675	SML-D12V8W-X	LED			1	K3,M8

MODEL	MARK	MODEL	MARK	MODEL	MARK
KDC-152	K3	KDC-153	M9	KDC-153S	M8

Safe	Symbol No.	Parts No.	Parts Name	Description	QTY	Local	
	D676	SML-D12V8W-X	LED	4700pF 50V K	1	K3,M8	
	D677	SML-D12V8W-X	LED	4700pF 50V K	1	K3,M8	
	D678	SML-D12V8W-X	LED	4700pF 50V K	1	K3,M8	
	C611	NCB30JK-105X	C CAPACITOR	1uF 6.3V K	1		
	C612	NCB31HK-104X	C CAPACITOR	0.1uF 50V K	1		
	C613	NCB31HK-471X	C CAPACITOR	470pF 50V K	1		
	C614	NCB31HK-471X	C CAPACITOR	470pF 50V K	1		
	C615	NCB31HK-471X	C CAPACITOR	470pF 50V K	1		
	C616	NCB31HK-471X	C CAPACITOR	470pF 50V K	1		
	C621	NCB30JK-105X	C CAPACITOR	1uF 6.3V K	1	K3	
	C671	NCB31HK-472X	C CAPACITOR	4700pF 50V K	1		
	C672	NCB31HK-472X	C CAPACITOR	4700pF 50V K	1		
	C684	NCB31HK-103X	C CAPACITOR	0.01uF 50V K	1		
	R611	NRSA63J-473X	MG RESISTOR	47kΩ 1/16W J	1		
	R612	NRSA63J-221X	MG RESISTOR	220Ω 1/16W J	1		
	R613	NRSA63J-102X	MG RESISTOR	1kΩ 1/16W J	1		
	R614	NRSA63J-472X	MG RESISTOR	4.7kΩ 1/16W J	1		
	R615	NRSA63J-4R7X	MG RESISTOR	4.7Ω 1/16W J	1		
	R617	NRSA63J-0R0X	MG RESISTOR	0Ω 1/10W J	1		
	R618	NRSA63J-0R0X	MG RESISTOR	0Ω 1/10W J	1		
	R621	NRSA63J-472X	MG RESISTOR	4.7kΩ 1/16W J	1	M9,M8	
	R622	NRSA63J-0R0X	MG RESISTOR	0Ω 1/10W J	1		
	R631	NRS125J-9R1X	MG RESISTOR	9.1Ω 1/2W J	1		
	R632	NRSA63J-0R0X	MG RESISTOR	0Ω 1/10W J	1		
	R650	NRS181J-152X	MG RESISTOR	1.5kΩ 1/8W J	1		
	R651	NRS181J-152X	MG RESISTOR	1.5kΩ 1/8W J	1		
	R652	NRS181J-561X	MG RESISTOR	560Ω 1/8W J	1	K3,M8	
	R652	NRS181J-471X	MG RESISTOR	470Ω 1/8W J	1	M9	
	R653	NRS181J-821X	MG RESISTOR	820Ω 1/8W J	1	K3,M8	
	R653	NRS181J-471X	MG RESISTOR	470Ω 1/8W J	1	M9	
	R654	NRS181J-471X	MG RESISTOR	470Ω 1/8W J	1	M9	
	R655	NRS181J-821X	MG RESISTOR	820Ω 1/8W J	1	K3,M8	
	R655	NRS181J-471X	MG RESISTOR	470Ω 1/8W J	1	M9	
	R656	NRS181J-821X	MG RESISTOR	820Ω 1/8W J	1	K3,M8	
	R656	NRS181J-471X	MG RESISTOR	470Ω 1/8W J	1	M9	
	R657	NRS181J-821X	MG RESISTOR	820Ω 1/8W J	1	K3,M8	
	R657	NRS181J-471X	MG RESISTOR	470Ω 1/8W J	1	M9	
	R658	NRS181J-821X	MG RESISTOR	820Ω 1/8W J	1		
	R659	NRS181J-561X	MG RESISTOR	560Ω 1/8W J	1	K3,M8	
	R659	NRS181J-471X	MG RESISTOR	470Ω 1/8W J	1	M9	
	R669	NRS181J-821X	MG RESISTOR	820Ω 1/8W J	1		
	R670	NRS181J-821X	MG RESISTOR	820Ω 1/8W J	1	K3,M8	
	R670	NRS181J-471X	MG RESISTOR	470Ω 1/8W J	1	M9	
	R671	NRS181J-821X	MG RESISTOR	820Ω 1/8W J	1	K3,M8	
	R671	NRS181J-471X	MG RESISTOR	470Ω 1/8W J	1	M9	
	R672	NRSA63J-0R0X	MG RESISTOR	0Ω 1/10W J	1	K3,M8	
	R673	NRSA63J-0R0X	MG RESISTOR	0Ω 1/10W J	1	K3,M8	
	R676	NRSA63J-0R0X	MG RESISTOR	0Ω 1/10W J	1		
	L601	NQR0502-001X	FERRITE BEADS		1		
	CN601	QGZ1102K2-20X	CONNECTOR	(1-20)	1		
	EN601	QSW1288-001	ROTARY ENCODER		1		
	FL601	3-BT-267N	FL DISPLAY		1		
	J602	QNS0299-001	3.5 JACK		1		
	S602	NSW0326-001X	TACT SWITCH		1		
	S603	NSW0326-001X	TACT SWITCH		1		
	S610	NSW0326-001X	TACT SWITCH		1		
	S611	NSW0326-001X	TACT SWITCH		1		
	S615	NSW0326-001X	TACT SWITCH		1		
	S616	NSW0326-001X	TACT SWITCH		1		
	CD PLAYER UNIT (X32-6530-00) IN CD MECHA <X32>						
	R1	NRSA63J-131X	MG RESISTOR	130Ω 1/16W J	1		
	B1	NRS181J-0R0X	MG RESISTOR	0Ω 1/8W J	1		
	CN101	QGF1044F2-26X	CONNECTOR	FFC/FPC (1-26)	1		
	CN102	QGF0522F3-15W	CONNECTOR	FFC/FPC (1-15)	1		
	SW1	NSW0291-001X	DETECT SWITCH		1		
	SW2	NSW0291-001X	DETECT SWITCH		1		
	SW3	NSW0291-001X	DETECT SWITCH		1		
	SW4	NSW0291-001X	DETECT SWITCH		1		
	ELECTRIC UNIT (X34-6900-xx) <X34>						
	△ IC1	TEF6614TV1S4-X	IC(ANALOGUE)		1		
	△ IC161	TDA7718B-X	IC(ANALOGUE)		1		
	△ IC301	TB2926CHQ	IC(ANALOGUE)		1		
	△ IC501	LA6565-X	IC(ANALOGUE)		1		
	IC530	XC6213B332NG-X	IC(ANALOGUE)		1		
	IC531	XC6213B152NG-X	IC(ANALOGUE)		1		
	IC532	XC6213B152NG-X	IC(ANALOGUE)		1		
	△ IC540	JCV8021	IC(MOS)		1		
	△ IC701	JCV8018-5E0	IC(MCU)		1	K3	
	△ IC701	JCV8018-8E3	IC(MCU)		1	M8M9	
	IC702	XC6120N282NG-X	IC(MOS)		1		
	IC771	BR24T02FJ-W-X	IC(MOS)		1		
	△ IC901	LV5680P	IC(ANALOGUE)		1		
	IC931	XC6213B332NG-X	IC(ANALOGUE)		1		
	Q540	2SA2188/F-X	TRANSISTOR		1		
	Q701	RT1N241C-X	DIGI TRANSISTOR		1		
	Q702	RT1P241C-X	DIGI TRANSISTOR		1		
	Q780	RT1P241C-X	DIGI TRANSISTOR		1		
	Q782	IMX9-W	PAIR TRANSISTOR		1		
	Q901	2SA812A/5-6/-X	TRANSISTOR		1		
	Q902	RT1N441C-X	DIGI TRANSISTOR		1		
	Q970	2SC1623A/5-6/X	TRANSISTOR		1		
	Q971	2SC1623A/5-6/X	TRANSISTOR		1		
	Q972	RT1P144C-X	DIGI TRANSISTOR		1		

MODEL	MARK	MODEL	MARK	MODEL	MARK
KDC-152	K3	KDC-153	M9	KDC-153S	M8

Safe	Symbol No.	Parts No.	Parts Name	Description	QTY	Local
	D1	NAF0029-001X	ESD SUPPRESSOR		1	
	D101	DZ2J068/M/-X	Z DIODE		1	
	D111	DZ2J068/M/-X	Z DIODE		1	
	D502	GS1J-LTP-X	SI DIODE		1	
	D540	DA2J101-X	SI DIODE		1	
	D703	MBRX130-TP-X	SB DIODE		1	
	D704	DZ2J062/M/-X	Z DIODE		1	
	D705	BAW56-TP-X	SI DIODE		1	
	D780	BAW56-TP-X	SI DIODE		1	
	D781	BAW56-TP-X	SI DIODE		1	
	D782	DA2J101-X	SI DIODE		1	
	D784	BAW56-TP-X	SI DIODE		1	
	D850	MBRX130-TP-X	SB DIODE		1	M9,M8
	D851	MBRX130-TP-X	SB DIODE		1	M9,M8
	D890	BAW56-TP-X	SI DIODE		1	
△	D901	1N5401-BPC04	SI DIODE		1	
	D941	MBRX130-TP-X	SB DIODE		1	
	D942	MBRX130-TP-X	SB DIODE		1	
	D970	DZ2J068/M/-X	Z DIODE		1	
	D971	DZ2J068/M/-X	Z DIODE		1	
	C1	NDC31HJ-150X	C CAPACITOR	15pF 50V J	1	
	C2	NCB31HK-102X	C CAPACITOR	1000pF 50V K	1	
	C3	NDC31HJ-7R0X	C CAPACITOR	7pF 50V J	1	K3
	C3	NDC31HJ-4R0X	C CAPACITOR	4pF 50V J	1	M9,M8
	C4	NDC31HJ-6R0X	C CAPACITOR	6pF 50V J	1	K3
	C4	NDC31HJ-4R0X	C CAPACITOR	4pF 50V J	1	M9,M8
	C5	NCB31HK-102X	C CAPACITOR	1000pF 50V K	1	
	C6	NCB31CK-224X	C CAPACITOR	0.22uF 16V K	1	
	C7	NDC31HJ-270X	C CAPACITOR	27pF 50V J	1	
	C8	NCB31HK-103X	C CAPACITOR	0.01uF 50V K	1	
	C9	QEKJ1EM-106Z	E CAPACITOR	10uF 25V M	1	
	C10	NCB21CK-105X	C CAPACITOR	1uF 16V K	1	
	C11	NCB31CK-224X	C CAPACITOR	0.22uF 16V K	1	
	C12	NCB31CK-104X	C CAPACITOR	0.1uF 16V	1	
	C13	NDC31HJ-120X	C CAPACITOR	12pF 50V J	1	
	C14	NCB31CK-104X	C CAPACITOR	0.1uF 16V	1	
	C15	QEKJ1CM-476Z	E CAPACITOR	47uF 16V M	1	
	C16	NCB31HK-103X	C CAPACITOR	0.01uF 50V K	1	
	C17	NCB31CK-104X	C CAPACITOR	0.1uF 16V	1	
	C18	NCB31HK-103X	C CAPACITOR	0.01uF 50V K	1	
	C19	NCB31CK-104X	C CAPACITOR	0.1uF 16V	1	
	C20	NCB31HK-103X	C CAPACITOR	0.01uF 50V K	1	
	C21	NCB31HK-103X	C CAPACITOR	0.01uF 50V K	1	
	C22	NCB31HK-103X	C CAPACITOR	0.01uF 50V K	1	
	C23	NCB21CK-105X	C CAPACITOR	1uF 16V K	1	
	C24	NDC31HJ-2R0X	C CAPACITOR	2pF 50V J	1	K3
	C25	NDC31HJ-471X	C CAPACITOR	470pF 50V J	1	
	C26	NCB31HK-472X	C CAPACITOR	4700pF 50V K	1	K3
	C26	NCB31CK-104X	C CAPACITOR	0.1uF 16V	1	M9,M8
	C100	NCB31AK-105X	C CAPACITOR	1uF 10V K	1	
	C102	NCB31AK-105X	C CAPACITOR	1uF 10V K	1	
	C103	NCB31CK-104X	C CAPACITOR	0.1uF 16V	1	
	C110	NCB31AK-105X	C CAPACITOR	1uF 10V K	1	
	C161	NCB31AK-105X	C CAPACITOR	1uF 10V K	1	
	C162	NCB31AK-105X	C CAPACITOR	1uF 10V K	1	
	C163	QEKJ1HM-475Z	E CAPACITOR	4.7uF 50V M	1	
	C164	QEKJ1HM-475Z	E CAPACITOR	4.7uF 50V M	1	
	C171	QEKJ1EM-106Z	E CAPACITOR	10uF 25V M	1	
	C172	NCB31AK-105X	C CAPACITOR	1uF 10V K	1	
	C173	NCB31AK-105X	C CAPACITOR	1uF 10V K	1	
	C174	NCB31AK-105X	C CAPACITOR	1uF 10V K	1	
	C175	NCB31CK-104X	C CAPACITOR	0.1uF 16V	1	
	C176	QEKJ1CM-107Z	E CAPACITOR	100uF 16V M	1	
	C177	NCB31AK-105X	C CAPACITOR	1uF 10V K	1	
	C305	NCB31AK-105X	C CAPACITOR	1uF 10V K	1	
	C307	QEKJ1CM-226Z	E CAPACITOR	22uF 16V M	1	
	C310	NCB31AK-105X	C CAPACITOR	1uF 10V K	1	
	C311	NCB21EK-224X	C CAPACITOR	0.22uF 25V K	1	
	C312	NCB21EK-224X	C CAPACITOR	0.22uF 25V K	1	
	C313	NCB21EK-224X	C CAPACITOR	0.22uF 25V K	1	
	C314	NCB21EK-224X	C CAPACITOR	0.22uF 25V K	1	
	C315	NCB21CK-105X	C CAPACITOR	1uF 16V K	1	
	C320	QEKJ1EM-106Z	E CAPACITOR	10uF 25V M	1	
	C321	NDC31HJ-101X	C CAPACITOR	100pF 50V J	1	
	C330	QEKJ1EM-106Z	E CAPACITOR	10uF 25V M	1	
	C331	NDC31HJ-101X	C CAPACITOR	100pF 50V J	1	
	C502	NCB31HK-104X	C CAPACITOR	0.1uF 50V K	1	
	C504	NCB31HK-104X	C CAPACITOR	0.1uF 50V K	1	
	C506	QERF1AM-107Z	E CAPACITOR	100uF 10V M	1	
	C507	NCB31CK-104X	C CAPACITOR	0.1uF 16V	1	
	C511	NDC31HJ-471X	C CAPACITOR	470pF 50V J	1	
	C512	NDC31HJ-471X	C CAPACITOR	470pF 50V J	1	
	C530	NCB31AK-105X	C CAPACITOR	1uF 10V K	1	
	C531	NCB31HK-104X	C CAPACITOR	0.1uF 50V K	1	
	C532	NCB31AK-105X	C CAPACITOR	1uF 10V K	1	
	C533	NCB31HK-104X	C CAPACITOR	0.1uF 50V K	1	
	C534	NCB31HK-104X	C CAPACITOR	0.1uF 50V K	1	
	C535	NCB31HK-104X	C CAPACITOR	0.1uF 50V K	1	
	C540	NCB31HK-104X	C CAPACITOR	0.1uF 50V K	1	
	C541	NCB31HK-222X	C CAPACITOR	2200pF 50V K	1	
	C542	NCB31HK-104X	C CAPACITOR	0.1uF 50V K	1	
	C543	NCB31HK-103X	C CAPACITOR	0.01uF 50V K	1	
	C544	NCB31HK-332X	C CAPACITOR	3300pF 50V K	1	

MODEL	MARK	MODEL	MARK	MODEL	MARK
KDC-152	K3	KDC-153	M9	KDC-153S	M8

Safe	Symbol No.	Parts No.	Parts Name	Description	QTY	Local
	C545	NCB31HK-104X	C CAPACITOR	0.1uF 50V K	1	
	C546	NCB31AK-105X	C CAPACITOR	1uF 10V K	1	
	C547	NCB31HK-153X	C CAPACITOR	0.015uF 50V K	1	
	C548	NDC31HJ-680X	C CAPACITOR	68pF 50V J	1	
	C549	NCB31HK-104X	C CAPACITOR	0.1uF 50V K	1	
	C550	NCB31HK-104X	C CAPACITOR	0.1uF 50V K	1	
	C551	NCB20JK-106X-R	C CAPACITOR	10uF 6.3V K	1	
	C552	NCB31HK-333X	C CAPACITOR	0.033uF 50V K	1	
	C553	NCB31HK-472X	C CAPACITOR	4700pF 50V K	1	
	C554	NDC31HJ-391X	C CAPACITOR	390pF 50V J	1	
	C555	NDC31HJ-681X	C CAPACITOR	680pF 50V J	1	
	C556	NCB31HK-683X	C CAPACITOR	0.068uF 50V K	1	
	C557	NCB31EK-473X	C CAPACITOR	0.047uF 25V K	1	
	C558	NCB31HK-104X	C CAPACITOR	0.1uF 50V K	1	
	C559	NCB31HK-104X	C CAPACITOR	0.1uF 50V K	1	
	C560	NDC31HJ-101X	C CAPACITOR	100pF 50V J	1	
	C561	NCB31AK-105X	C CAPACITOR	1uF 10V K	1	
	C562	NCB31AK-105X	C CAPACITOR	1uF 10V K	1	
	C563	NDC31HJ-101X	C CAPACITOR	100pF 50V J	1	
	C564	NCB31HK-104X	C CAPACITOR	0.1uF 50V K	1	
	C565	NCB31HK-104X	C CAPACITOR	0.1uF 50V K	1	
	C566	NCB31HK-104X	C CAPACITOR	0.1uF 50V K	1	
	C567	NCB31AK-105X	C CAPACITOR	1uF 10V K	1	
	C568	NCB31HK-104X	C CAPACITOR	0.1uF 50V K	1	
	C569	NCB31HK-104X	C CAPACITOR	0.1uF 50V K	1	
	C570	NCB31HK-104X	C CAPACITOR	0.1uF 50V K	1	
	C571	NDC31HJ-470X	C CAPACITOR	47pF 50V J	1	
	C572	NCB31HK-153X	C CAPACITOR	0.015uF 50V K	1	
	C573	NCB31HK-104X	C CAPACITOR	0.1uF 50V K	1	
	C574	NCB31HK-103X	C CAPACITOR	0.01uF 50V K	1	
	C575	NCB31HK-152X	C CAPACITOR	1500pF 50V K	1	
	C580	NCB31HK-102X	C CAPACITOR	1000pF 50V K	1	
	C581	NCB31HK-102X	C CAPACITOR	1000pF 50V K	1	
	C590	NDC31HJ-101X	C CAPACITOR	100pF 50V J	1	
	C591	NDC31HJ-101X	C CAPACITOR	100pF 50V J	1	
	C701	NCB31CK-104X	C CAPACITOR	0.1uF 16V	1	
	C702	NCB31CK-104X	C CAPACITOR	0.1uF 16V	1	
	C703	NCB31CK-104X	C CAPACITOR	0.1uF 16V	1	
	C704	NCB31CK-104X	C CAPACITOR	0.1uF 16V	1	
	C705	NDC31HJ-180X	C CAPACITOR	18pF 50V J	1	
	C706	NDC31HJ-180X	C CAPACITOR	18pF 50V J	1	
	C707	NCB31HK-104X	C CAPACITOR	0.1uF 50V K	1	
	C711	NCB31CK-104X	C CAPACITOR	0.1uF 16V	1	
	C713	NCB31HK-103X	C CAPACITOR	0.01uF 50V K	1	
	C715	QERF0JM-337Z	E CAPACITOR	330uF 6.3V M	1	
	C760	NCB31CK-104X	C CAPACITOR	0.1uF 16V	1	
	C761	NCB31CK-104X	C CAPACITOR	0.1uF 16V	1	
	C771	NCB31HK-472X	C CAPACITOR	4700pF 50V K	1	
	C890	NCB31HK-104X	C CAPACITOR	0.1uF 50V K	1	
	C901	QE20934-338	E CAPACITOR	3300uF	1	
	C902	QEKJ1CM-226Z	E CAPACITOR	22uF 16V M	1	
	C903	QEKJ1CM-476Z	E CAPACITOR	47uF 16V M	1	
	C904	NCB31HK-104X	C CAPACITOR	0.1uF 50V K	1	
	C906	QEKJ1CM-107Z	E CAPACITOR	100uF 16V M	1	
	C907	QEKJ1CM-107Z	E CAPACITOR	100uF 16V M	1	
	C908	NCB31CK-104X	C CAPACITOR	0.1uF 16V	1	
	C909	QEKJ1EM-106Z	E CAPACITOR	10uF 25V M	1	M9,M8
	C910	QEKJ1EM-106Z	E CAPACITOR	10uF 25V M	1	
	C911	NCB21EK-474X	C CAPACITOR	0.47uF 25V K	1	
	C912	NCB31CK-104X	C CAPACITOR	0.1uF 16V	1	
	C913	NCB31CK-104X	C CAPACITOR	0.1uF 16V	1	
	C914	NCB31CK-104X	C CAPACITOR	0.1uF 16V	1	
	C931	QEKJ1CM-107Z	E CAPACITOR	100uF 16V M	1	
	C941	NCB31HK-104X	C CAPACITOR	0.1uF 50V K	1	
	C942	NCB31HK-104X	C CAPACITOR	0.1uF 50V K	1	
	R1	NRSA63J-684X	MG RESISTOR	680kΩ 1/16W J	1	K3
	R1	NRSA63J-474X	MG RESISTOR	470kΩ 1/16W J	1	M9,M8
	R2	NRSA63J-684X	MG RESISTOR	680kΩ 1/16W J	1	K3
	R2	NRSA63J-474X	MG RESISTOR	470kΩ 1/16W J	1	M9,M8
	R3	NRSA63J-101X	MG RESISTOR	100Ω 1/16W J	1	M9,M8
	R4	NRSA63J-472X	MG RESISTOR	4.7kΩ 1/16W J	1	
	R7	NRSA02J-470X	MG RESISTOR	47Ω 1/10W J	1	
	R8	NRSA02J-470X	MG RESISTOR	47Ω 1/10W J	1	
	R9	NRSA63J-221X	MG RESISTOR	220Ω 1/16W J	1	
	R10	NRSA63J-221X	MG RESISTOR	220Ω 1/16W J	1	
	R11	NRS181J-0R0X	MG RESISTOR	0Ω 1/8W J	1	
	R12	NRSA63J-0R0X	MG RESISTOR	0Ω 1/10W J	1	M9,M8
	R13	NRSA63J-0R0X	MG RESISTOR	0Ω 1/10W J	1	M9,M8
	R14	NRS181J-0R0X	MG RESISTOR	0Ω 1/8W J	1	
	R15	NRS181J-0R0X	MG RESISTOR	0Ω 1/8W J	1	
	R16	NRSA63J-0R0X	MG RESISTOR	0Ω 1/10W J	1	M9,M8
	R100	NRSA63J-473X	MG RESISTOR	47kΩ 1/16W J	1	
	R101	NRSA63J-471X	MG RESISTOR	470Ω 1/16W J	1	
	R102	NRSA63J-0R0X	MG RESISTOR	0Ω 1/10W J	1	
	R110	NRSA63J-473X	MG RESISTOR	47kΩ 1/16W J	1	
	R111	NRSA63J-0R0X	MG RESISTOR	0Ω 1/10W J	1	
	R161	NRS181J-0R0X	MG RESISTOR	0Ω 1/8W J	1	
	R162	NRS181J-0R0X	MG RESISTOR	0Ω 1/8W J	1	
	R163	NRS181J-222X	MG RESISTOR	2.2kΩ 1/8W J	1	
	R164	NRSA63J-221X	MG RESISTOR	220Ω 1/16W J	1	
	R165	NRSA63J-221X	MG RESISTOR	220Ω 1/16W J	1	
	R166	NRSA63J-0R0X	MG RESISTOR	0Ω 1/10W J	1	

MODEL	MARK	MODEL	MARK	MODEL	MARK
KDC-152	K3	KDC-153	M9	KDC-153S	M8

Safe	Symbol No.	Parts No.	Parts Name	Description	QTY	Local
	R167	NRSA63J-103X	MG RESISTOR	10kΩ 1/16W J	1	
	R168	NRS181J-0R0X	MG RESISTOR	0Ω 1/8W J	1	
	R169	NRSA63J-0R0X	MG RESISTOR	0Ω 1/10W J	1	
	R170	NRSA63J-0R0X	MG RESISTOR	0Ω 1/10W J	1	
	R171	NRS181J-0R0X	MG RESISTOR	0Ω 1/8W J	1	
	R302	NRSA63J-473X	MG RESISTOR	47kΩ 1/16W J	1	
	R303	NRS181J-100X	MG RESISTOR	10Ω 1/8W J	1	
	R305	NRSA63J-0R0X	MG RESISTOR	0Ω 1/10W J	1	
	R306	NRSA63J-0R0X	MG RESISTOR	0Ω 1/10W J	1	
	R307	NRSA63J-0R0X	MG RESISTOR	0Ω 1/10W J	1	
	R308	NRS181J-0R0X	MG RESISTOR	0Ω 1/8W J	1	
	R320	NRSA63J-331X	MG RESISTOR	330Ω 1/16W J	1	
	R321	NRSA63J-223X	MG RESISTOR	22kΩ 1/16W J	1	
	R322	NRSA63J-181X	MG RESISTOR	180Ω 1/16W J	1	
	R330	NRSA63J-331X	MG RESISTOR	330Ω 1/16W J	1	
	R331	NRSA63J-223X	MG RESISTOR	22kΩ 1/16W J	1	
	R332	NRSA63J-181X	MG RESISTOR	180Ω 1/16W J	1	
	R501	NRSA63J-203X	MG RESISTOR	20kΩ 1/16W J	1	
	R502	NRSA63J-101X	MG RESISTOR	100Ω 1/16W J	1	
	R503	NRSA63J-101X	MG RESISTOR	100Ω 1/16W J	1	
	R504	NRS181J-513X	MG RESISTOR	51kΩ 1/8W J	1	
	R505	NRS181J-223X	MG RESISTOR	22kΩ 1/8W J	1	
	R506	NRS181J-682X	MG RESISTOR	6.8kΩ 1/8W J	1	
	R507	NRS181J-113X	MG RESISTOR	11kΩ 1/8W J	1	
	R508	NRS181J-0R0X	MG RESISTOR	0Ω 1/8W J	1	
	R509	NRSA63J-393X	MG RESISTOR	39kΩ 1/16W J	1	
	R510	NRSA63J-822X	MG RESISTOR	8.2kΩ 1/16W J	1	
	R511	NRSA63J-0R0X	MG RESISTOR	0Ω 1/10W J	1	
	R512	NRSA63J-0R0X	MG RESISTOR	0Ω 1/10W J	1	
	R513	NRSA63J-822X	MG RESISTOR	8.2kΩ 1/16W J	1	
	R514	NRSA63J-822X	MG RESISTOR	8.2kΩ 1/16W J	1	
	R515	NRS181J-0R0X	MG RESISTOR	0Ω 1/8W J	1	
	R516	NRSA63J-101X	MG RESISTOR	100Ω 1/16W J	1	
	R517	NRSA63J-822X	MG RESISTOR	8.2kΩ 1/16W J	1	
	R518	NRSA63J-0R0X	MG RESISTOR	0Ω 1/10W J	1	
	R519	NRSA63J-0R0X	MG RESISTOR	0Ω 1/10W J	1	
	R520	NRSA63J-103X	MG RESISTOR	10kΩ 1/16W J	1	
	R521	NRSA63J-473X	MG RESISTOR	47kΩ 1/16W J	1	
	R522	NRSA63J-0R0X	MG RESISTOR	0Ω 1/10W J	1	
	R523	NRSA63J-0R0X	MG RESISTOR	0Ω 1/10W J	1	
	R524	NRS181J-0R0X	MG RESISTOR	0Ω 1/8W J	1	
	R525	NRS181J-0R0X	MG RESISTOR	0Ω 1/8W J	1	
	R526	NRSA63J-0R0X	MG RESISTOR	0Ω 1/10W J	1	
	R527	NRSA63J-0R0X	MG RESISTOR	0Ω 1/10W J	1	
	R528	NRS181J-0R0X	MG RESISTOR	0Ω 1/8W J	1	
	R529	NRSA63J-0R0X	MG RESISTOR	0Ω 1/10W J	1	
	R530	NRSA63J-103X	MG RESISTOR	10kΩ 1/16W J	1	
	R531	NRSA63J-0R0X	MG RESISTOR	0Ω 1/10W J	1	
	R532	NRS181J-0R0X	MG RESISTOR	0Ω 1/8W J	1	
	R540	NRSA63J-221X	MG RESISTOR	220Ω 1/16W J	1	
	R541	NRSA63J-0R0X	MG RESISTOR	0Ω 1/10W J	1	
	R543	NRSA63J-0R0X	MG RESISTOR	0Ω 1/10W J	1	
	R545	NRSA63J-225X	MG RESISTOR	2.2MΩ 1/16W J	1	
	R546	NRSA63J-4R7X	MG RESISTOR	4.7Ω 1/16W J	1	
	R548	NRSA63J-104X	MG RESISTOR	100kΩ 1/16W J	1	
	R549	NRSA63J-102X	MG RESISTOR	1kΩ 1/16W J	1	
	R550	NRSA63J-472X	MG RESISTOR	4.7kΩ 1/16W J	1	
	R551	NRSA63J-0R0X	MG RESISTOR	0Ω 1/10W J	1	
	R552	NRSA63J-0R0X	MG RESISTOR	0Ω 1/10W J	1	
	R556	NRSA63J-473X	MG RESISTOR	47kΩ 1/16W J	1	
	R557	NRSA63J-4R7X	MG RESISTOR	4.7Ω 1/16W J	1	
	R558	NRSA63J-4R7X	MG RESISTOR	4.7Ω 1/16W J	1	
	R559	NRSA63J-105X	MG RESISTOR	1MΩ 1/16W J	1	
	R560	NRSA63J-471X	MG RESISTOR	470Ω 1/16W J	1	
	R561	NRS181J-0R0X	MG RESISTOR	0Ω 1/8W J	1	
	R562	NRSA63J-101X	MG RESISTOR	100Ω 1/16W J	1	
	R563	NRSA63J-103X	MG RESISTOR	10kΩ 1/16W J	1	
	R564	NRSA63J-103X	MG RESISTOR	10kΩ 1/16W J	1	
	R565	NRSA63J-101X	MG RESISTOR	100Ω 1/16W J	1	
	R566	NRSA63J-101X	MG RESISTOR	100Ω 1/16W J	1	
	R567	NRSA63J-0R0X	MG RESISTOR	0Ω 1/10W J	1	
	R568	NRSA63J-0R0X	MG RESISTOR	0Ω 1/10W J	1	
	R569	NRSA63J-103X	MG RESISTOR	10kΩ 1/16W J	1	
	R570	NRSA63J-104X	MG RESISTOR	100kΩ 1/16W J	1	
	R571	NRSA63J-334X	MG RESISTOR	330kΩ 1/16W J	1	
	R572	NRSA63J-153X	MG RESISTOR	15kΩ 1/16W J	1	
	R573	NRSA63J-473X	MG RESISTOR	47kΩ 1/16W J	1	
	R574	NRS181J-332X	MG RESISTOR	3.3kΩ 1/8W J	1	
	R575	NRSA63J-473X	MG RESISTOR	47kΩ 1/16W J	1	
	R576	NRSA63J-103X	MG RESISTOR	10kΩ 1/16W J	1	
	R577	NRSA63J-103X	MG RESISTOR	10kΩ 1/16W J	1	
	R578	NRS181J-473X	MG RESISTOR	47kΩ 1/8W J	1	
	R580	NRSA63J-0R0X	MG RESISTOR	0Ω 1/10W J	1	
	R586	NRSA63J-0R0X	MG RESISTOR	0Ω 1/10W J	1	
	R595	NRSA63J-202X	MG RESISTOR	2kΩ 1/16W J	1	
	R596	NRSA63J-202X	MG RESISTOR	2kΩ 1/16W J	1	
	R701	NRS181J-473X	MG RESISTOR	47kΩ 1/8W J	1	
	R703	NRSA63J-101X	MG RESISTOR	100Ω 1/16W J	1	
	R704	NRSA63J-473X	MG RESISTOR	47kΩ 1/16W J	1	
	R707	NRSA63J-101X	MG RESISTOR	100Ω 1/16W J	1	
	R709	NRSA63J-102X	MG RESISTOR	1kΩ 1/16W J	1	
	R710	NRSA63J-101X	MG RESISTOR	100Ω 1/16W J	1	

MODEL	MARK	MODEL	MARK	MODEL	MARK
KDC-152	K3	KDC-153	M9	KDC-153S	M8

Safe	Symbol No.	Parts No.	Parts Name	Description	QTY	Local
R711		NRSA63J-103X	MG RESISTOR	10kΩ 1/16W J	1	
R712		NRSA63J-101X	MG RESISTOR	100Ω 1/16W J	1	
R714		NRSA63J-101X	MG RESISTOR	100Ω 1/16W J	1	
R715		NRSA63J-101X	MG RESISTOR	100Ω 1/16W J	1	
R717		NRS181J-101X	MG RESISTOR	100Ω 1/8W J	1	
R718		NRSA63J-101X	MG RESISTOR	100Ω 1/16W J	1	
R719		NRSA63J-101X	MG RESISTOR	100Ω 1/16W J	1	
R720		NRSA63J-101X	MG RESISTOR	100Ω 1/16W J	1	
R721		NRSA63J-101X	MG RESISTOR	100Ω 1/16W J	1	
R723		NRSA63J-101X	MG RESISTOR	100Ω 1/16W J	1	
R724		NRS181J-222X	MG RESISTOR	2.2kΩ 1/8W J	1	
R726		NRSA63J-101X	MG RESISTOR	100Ω 1/16W J	1	
R727		NRSA63J-332X	MG RESISTOR	3.3kΩ 1/16W J	1	
R728		NRSA63J-332X	MG RESISTOR	3.3kΩ 1/16W J	1	
R729		NRSA63J-0R0X	MG RESISTOR	0Ω 1/10W J	1	
R730		NRSA63J-0R0X	MG RESISTOR	0Ω 1/10W J	1	
R731		NRSA63J-472X	MG RESISTOR	4.7kΩ 1/16W J	1	
R732		NRSA63J-472X	MG RESISTOR	4.7kΩ 1/16W J	1	
R733		NRSA63J-472X	MG RESISTOR	4.7kΩ 1/16W J	1	
R734		NRSA63J-472X	MG RESISTOR	4.7kΩ 1/16W J	1	
R735		NRSA63J-472X	MG RESISTOR	4.7kΩ 1/16W J	1	
R737		NRSA63J-151X	MG RESISTOR	150Ω 1/16W J	1	
R738		NRSA63J-102X	MG RESISTOR	1kΩ 1/16W J	1	
R739		NRSA63J-0R0X	MG RESISTOR	0Ω 1/10W J	1	
R740		NRSA63J-0R0X	MG RESISTOR	0Ω 1/10W J	1	
R741		NRS181J-103X	MG RESISTOR	10kΩ 1/8W J	1	
R742		NRS181J-272X	MG RESISTOR	2.7kΩ 1/8W J	1	
R747		NRSA63J-393X	MG RESISTOR	39kΩ 1/16W J	1	K3
R748		NRSA63J-822X	MG RESISTOR	8.2kΩ 1/16W J	1	K3
R750		NRSA63J-473X	MG RESISTOR	47kΩ 1/16W J	1	K3
R751		NRS181J-473X	MG RESISTOR	47kΩ 1/8W J	1	
R752		NRS181J-473X	MG RESISTOR	47kΩ 1/8W J	1	
R753		NRSA63J-472X	MG RESISTOR	4.7kΩ 1/16W J	1	
R754		NRSA63J-472X	MG RESISTOR	4.7kΩ 1/16W J	1	
R757		NRSA63J-101X	MG RESISTOR	100Ω 1/16W J	1	
R758		NRSA63J-103X	MG RESISTOR	10kΩ 1/16W J	1	
R760		NRSA63J-433X	MG RESISTOR	43kΩ 1/16W J	1	K3
R760		NRSA63J-563X	MG RESISTOR	56kΩ 1/16W J	1	M9,M8
R761		NRS125J-150X	MG RESISTOR	15Ω 1/2W J	1	
R762		NRS125J-150X	MG RESISTOR	15Ω 1/2W J	1	
R765		NRS125J-150X	MG RESISTOR	15Ω 1/2W J	1	
R766		NRS125J-150X	MG RESISTOR	15Ω 1/2W J	1	
R768		NRSA63J-102X	MG RESISTOR	1kΩ 1/16W J	1	
R771		NRS181J-221X	MG RESISTOR	220Ω 1/8W J	1	
R772		NRS181J-221X	MG RESISTOR	220Ω 1/8W J	1	
R773		NRS181J-0R0X	MG RESISTOR	0Ω 1/8W J	1	
R774		NRS181J-0R0X	MG RESISTOR	0Ω 1/8W J	1	
R775		NRSA63J-0R0X	MG RESISTOR	0Ω 1/10W J	1	
R776		NRS181J-0R0X	MG RESISTOR	0Ω 1/8W J	1	
R778		NRSA63J-104X	MG RESISTOR	100kΩ 1/16W J	1	
R779		NRSA63J-103X	MG RESISTOR	10kΩ 1/16W J	1	
R780		NRSA63J-473X	MG RESISTOR	47kΩ 1/16W J	1	
R781		NRSA63J-331X	MG RESISTOR	330Ω 1/16W J	1	
R784		NRSA63J-472X	MG RESISTOR	4.7kΩ 1/16W J	1	
R785		NRSA63J-472X	MG RESISTOR	4.7kΩ 1/16W J	1	
R850		NRS181J-472X	MG RESISTOR	4.7kΩ 1/8W J	1	M9,M8
R890		NRSA63J-103X	MG RESISTOR	10kΩ 1/16W J	1	
R891		NRSA63J-683X	MG RESISTOR	68kΩ 1/16W J	1	
R892		NRSA63J-0R0X	MG RESISTOR	0Ω 1/10W J	1	
R893		NRSA63J-123X	MG RESISTOR	12kΩ 1/16W J	1	
R901		NRSA63J-155X	MG RESISTOR	1.5MΩ 1/16W J	1	
R902		NRSA02J-273X	MG RESISTOR	27kΩ 1/10W J	1	
R903		NRSA02J-472X	MG RESISTOR	4.7kΩ 1/10W J	1	
R904		NRSA02J-562X	MG RESISTOR	5.6kΩ 1/10W J	1	
R905		QRE141J-103Y	C RESISTOR	10kΩ 1/4W J	1	
R906		NRSA63J-102X	MG RESISTOR	1kΩ 1/16W J	1	
R907		NRSA63J-331X	MG RESISTOR	330Ω 1/16W J	1	
R908		NRS181J-243X	MG RESISTOR	24kΩ 1/8W J	1	
R909		NRSA63J-473X	MG RESISTOR	47kΩ 1/16W J	1	
R910		NRSA63J-103X	MG RESISTOR	10kΩ 1/16W J	1	
R912		NRSA63J-0R0X	MG RESISTOR	0Ω 1/10W J	1	
R941		NRS181J-472X	MG RESISTOR	4.7kΩ 1/8W J	1	
R970		NRSA63J-473X	MG RESISTOR	47kΩ 1/16W J	1	
R971		NRSA02J-103X	MG RESISTOR	10kΩ 1/10W J	1	
R972		NRSA02J-103X	MG RESISTOR	10kΩ 1/10W J	1	
R973		NRS181J-203X	MG RESISTOR	20kΩ 1/8W J	1	
R974		NRSA63J-473X	MG RESISTOR	47kΩ 1/16W J	1	
R975		NRSA02J-473X	MG RESISTOR	47kΩ 1/10W J	1	
R976		NRS181J-683X	MG RESISTOR	68kΩ 1/8W J	1	
L1		QQL231K-R27Y	COIL	0.27uH K	1	
L2		QQL231K-4R7Y	COIL	4.7uH K	1	K3
L3		QQL231K-R47Y	COIL	0.47uH K	1	K3
L3		QQL231K-1R0Y	COIL	1uH K	1	M9,M8
L4		QQL231K-R47Y	COIL	0.47uH K	1	
L5		QQL231K-1R8Y	COIL	1.8uH K	1	K3
L5		QQL231K-3R3Y	COIL	3.3uH K	1	M9,M8
L6		QQR1872-001	RF COIL		1	
L7		QQL244J-561Z	COIL	560uH J	1	
L8		QQL244J-561Z	COIL	560uH J	1	
L9		QQL231K-4R7Y	COIL	4.7uH K	1	
L10		NQL103J-10NX	COIL	10nH J	1	K3
L503		NQR0502-001X	FERRITE BEADS		1	
L504		NQR0502-001X	FERRITE BEADS		1	

MODEL	MARK	MODEL	MARK	MODEL	MARK
KDC-152	K3	KDC-153	M9	KDC-153S	M8

Safe	Symbol No.	Parts No.	Parts Name	Description	QTY	Local
	L701	QQL231K-4R7Y	COIL	4.7uH K	1	
	L901	QQR1882-001	CHOKO COIL		1	
	CN502	QGF1040F1-26	CONNECTOR	FFC/FPC (1-26)	1	
	CN701	QGZ1102J1-20	CONNECTOR	(1-20)	1	
	CN901	QNZ0607-001	CAR CONNECTOR		1	
	J1	QNB0190-001	ANT TERMINAL		1	
	J321	QNN0864-001	PIN JACK		1	
	S701	QSW0648-001Z	TACT SWITCH		1	
	X1	QAX0952-001Z	CRYSTAL		1	
	X540	QAX0929-001Z	C RESONATOR		1	
	X701	QAX0955-001Z	C RESONATOR		1	
	X702	QAX0401-001	CRYSTAL	32.768KHz	1	