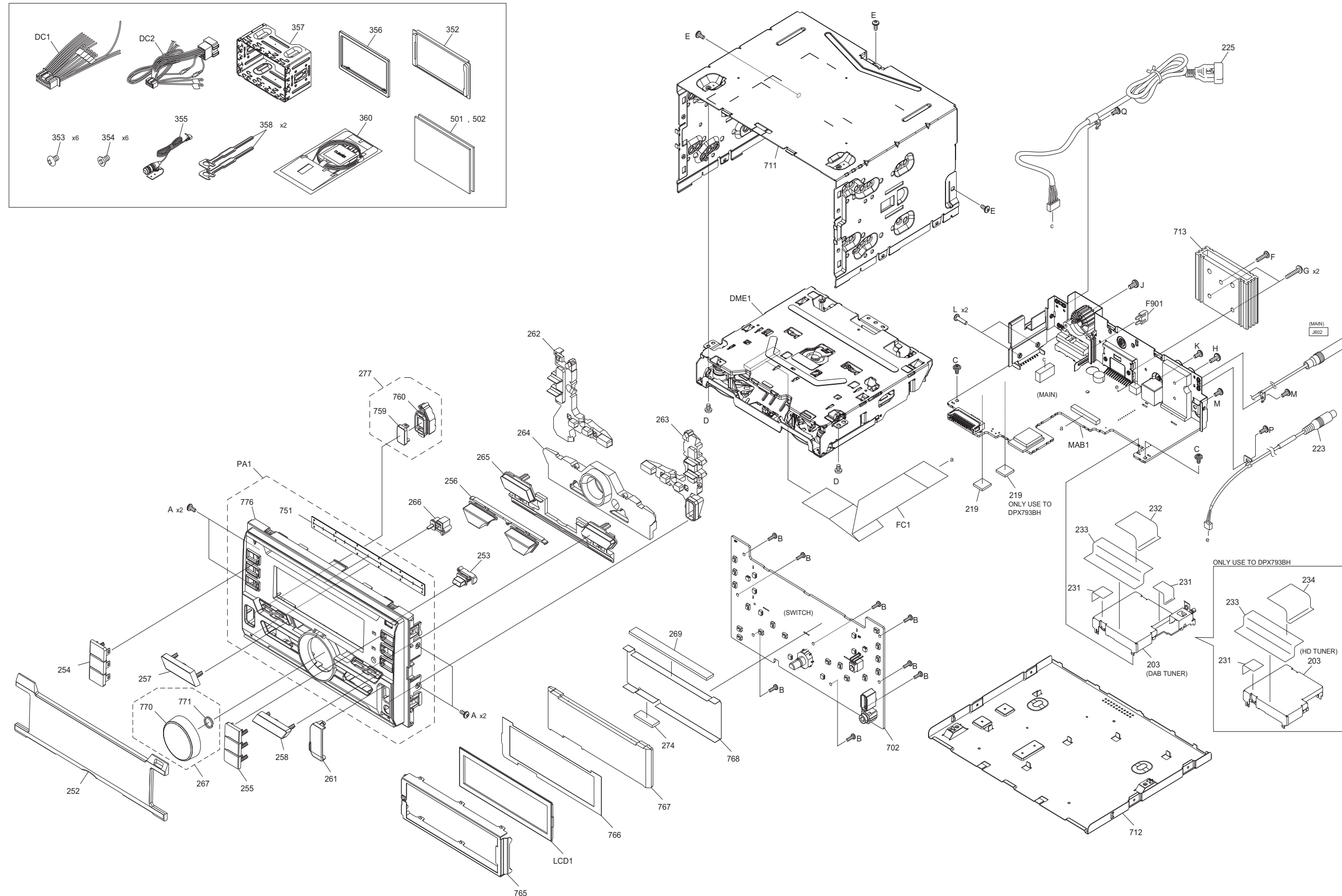


# EXPLODED VIEW (UNIT)

Block No.M1MM



Parts with the exploded numbers larger than 700 are not supplied.

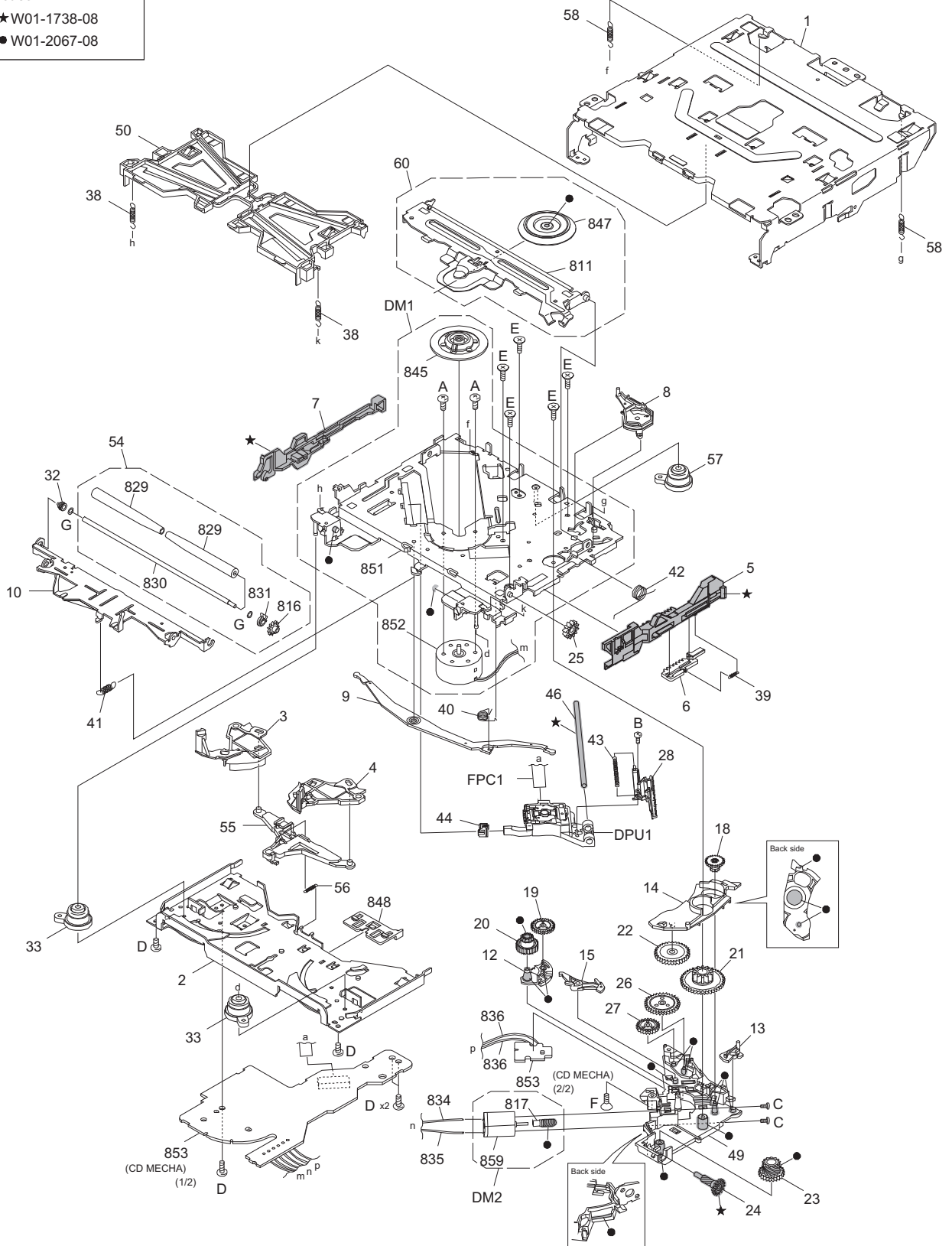
MODEL	MARK	MODEL	MARK	MODEL	MARK
DPX-7100DAB	E1	DPX-7100DAB	X1	DPX793BH	K0

Safe	Symbol No.	Parts No.	Parts Name	Description	QTY	Local
<b>EXPLODED VIEW (UNIT) &lt;M1MM&gt;</b>						
△	DC1	E3A-0324-00	DC CORD		1	X1,K0
△	DC2	E3A-0455-00	DC CORD		1	E1
	MAB1	CB-XJ1216E03N	MAIN PWB ASSY	XJ1-216E-03	1	E1
	MAB1	CB-XJ1216X01N	MAIN PWB ASSY	XJ1-216X-01	1	X1
	MAB1	CB-XJ1216K05N	MAIN PWB ASSY	XJ1-216K-05	1	K0
	DME1	XJJ-0410-00	CD MECHANISM ASSY		1	
△	F901	FZB10BT-100	BLADE FUSE		1	E1,K0
	FC1	E3G-0062-00	FFC WIRE		1	
	LCD1	B3H-0096-00	LCD		1	E1,K0
	PA1	A6D-0104-03	PANEL ASSY		1	E1,X1
	PA1	A6D-0104-02	PANEL ASSY		1	K0
	A	QYSDST2004ZA	TAP SCREW	M2 x 4mm	4	
	B	QYSDSF2006ZA	TAP SCREW	M2 x 6mm	8	
	C	LV41200-004A	SPECIAL SCREW		2	
	D	QYSDST2604ZA	TAP SCREW	M2.6 x 4mm	2	
	E	QYSDST2606ZA	TAP SCREW	M2.6 x 6mm	3	
	F	QYSDST2610ZA	TAP SCREW	M2.6 x 10mm	1	
	G	GE40377-005A	SPECIAL SCREW		2	
	H	QYSDSF2608ZA	TAP SCREW	M2.6 x 8mm	1	
	J	QYSPSG3008ZA	TAP SCREW	M3 x 8mm	1	
	K	QYSDST2606ZA	TAP SCREW	M2.6 x 6mm	1	K0
	L	QYSDST2608ZA	TAP SCREW	M2.6 x 8mm	2	
	M	QYSDST2606ZA	TAP SCREW	M2.6 x 6mm	2	E1,X1
	P	QYSDST2606ZA	TAP SCREW	M2.6 x 6mm	1	K0
	Q	QYSDST2606ZA	TAP SCREW	M2.6 x 6mm	1	K0
	203	XJM-0132-71	DAB TUNER PWB ASSY		1	E1
	203	XJM-0130-21	DAB TUNER PWB ASSY		1	X1
	203	XJM-0120-11	HD TUNER PWB ASSY		1	K0
	219	LV46006-001A	COOLING RUBBER		1	E1,X1
	219	LV46006-001A	COOLING RUBBER		2	K0
	223	E3A-0459-00	CORD W.CON.		1	K0
	225	E3A-0314-00	DC CORD ASSY		1	K0
	231	F1C-0101-01	CONDUCT SHEET		2	E1,X1
	231	F1C-0101-01	CONDUCT SHEET		1	K0
	232	F1C-0101-02	CONDUCT SHEET		1	E1,X1
	233	F1C-0101-03	CONDUCT SHEET		1	
	234	F1C-0101-04	CONDUCT SHEET		1	K0
	252	B1A-0045-0M	FRONT GLASS		1	E1
	252	B1A-0045-1P	FRONT GLASS		1	X1
	252	B1A-0045-0H	FRONT GLASS		1	K0
	253	K2E-0038-00	PUSH KNOB		1	
	254	K2F-0041-00	PUSH KNOB		1	
	255	K2F-0042-00	PUSH KNOB		1	
	256	K2F-0043-00	PUSH KNOB		1	
	257	K2F-0044-00	PUSH KNOB		1	
	258	K2F-0045-00	PUSH KNOB		1	
	261	F0G-0126-00	COVER		1	
	262	B1K-0043-02	LIGHTING BOARD		1	
	263	B1K-0044-10	LIGHTING BOARD		1	
	264	B1K-0045-00	LIGHTING BOARD		1	
	265	K2F-0046-0B	PUSH KNOB		1	
	266	K2E-0039-00	PUSH KNOB		1	
	267	K28-0530-13	KNOB ASSY		1	
	269	E2K-0064-00	CONDUCT RUBBER		1	
	274	E2K-0066-00	CONDUCT RUBBER		1	
	277	K2K-0184-00	KNOB ASSY		1	
	352	B9H-0002-00	ESCUTCHEON		1	K0
	353	QYSDSP5008ZA	SCREW	M5 x 8mm	6	X1,K0
	354	QYSSSP5008ZA	SCREW	M5 x 8mm	6	X1,K0
	355	QAN0126-001	MICROPHONE		1	
	356	GE20366-001A	TRIM PLATE		1	
	357	LV22876-001A	SLEEVE ASSY		1	
	358	LV45516-001A	LEVER		2	
	360	T9A-0056-00	ANTENNA ASSY		1	E1,X1
	501	B5A-2113-00	INST.MANUAL	ENG FRE GER	1	E1
	501	B5A-2114-00	INST.MANUAL	ENG	1	X1
	501	B5A-2109-00	INST.MANUAL	ENG FRE SPA	1	K0
	502	B5A-2113-01	INST.MANUAL	SPA ITA DUT	1	E1
	702	-----	SWITCH PWB ASSY	NO SERVICE PART	1	E1,X1
	702	-----	SWITCH PWB ASSY	NO SERVICE PART	1	K0
	711	-----	TOP COVER	NO SERVICE PART	1	
	712	-----	BOTTOM PLATE	NO SERVICE PART	1	
	713	-----	HEAT SINK	NO SERVICE PART	1	
	751	-----	BLIND PLATE	NO SERVICE PART	1	
	759	-----	KEY TOP	NO SERVICE PART	1	
	760	-----	KNOB BASE	NO SERVICE PART	1	
	765	-----	LCD CASE	NO SERVICE PART	1	
	766	-----	OPTI.DIFFUSER	NO SERVICE PART	1	
	767	-----	LENS	NO SERVICE PART	1	
	768	-----	REF.SHEET	NO SERVICE PART	1	
	770	-----	KNOB	NO SERVICE PART	1	
	771	-----	TOR.COIL SPRING	NO SERVICE PART	1	
	776	-----	PANEL	NO SERVICE PART	1	E1,X1
	776	-----	PANEL	NO SERVICE PART	1	K0

# EXPLODED VIEW (CD MECHANISM: XJJ-0410-00)

Block No.MBMM

- Grease  
 ★W01-1738-08  
 ●W01-2067-08



Parts with the exploded numbers larger than 800 are not supplied.

MODEL	MARK	MODEL	MARK	MODEL	MARK
DPX-7100DAB	E1	DPX-7100DAB	X1	DPX793BH	K0

Safe	Symbol No.	Parts No.	Parts Name	Description	QTY	Local
<b>EXPLODED VIEW (CD MECHANISM: XJJ-0410-00) &lt;MBMM&gt;</b>						
	DM1	CM-FC2-MD	MD CHASSIS ASSY		1	
	DM2	CM-FC2-M	LOADING MOTOR ASSY		1	
	DPU1	T2F-0002-00	CD OPT PICKUP		1	
	FPC1	QAL1465-001	FPC		1	
	A	LV45568-001A	MINI SCREW		2	
	B	QYSPSGT1745ZA	TAP SCREW	M1.7 x 4.5mm	1	
	C	QYSPSPT2025MA	SCREW	M2 x 2.5mm	2	
	D	VKZ4539-054	MINI SCREW		5	
	E	LV45818-001A	G.HOLDER SCREW		5	
	F	LV45815-001A	M. SHAFT SCREW		1	
	G	LV45816-001A	ROLLER WASHER		2	
	1	LV11877-003A	OUTER CHASSIS		1	
	2	LV11878-004A	LOWER CHASSIS		1	
	3	LV3A174-002A	DISC ARM L		1	
	4	LV3A175-001A	DISC ARM R		1	
	5	LV23057-001A	SLIDER R		1	
	6	LV3A178-001A	TRIGGER SLIDER		1	
	7	LV23058-001A	SLIDER L		1	
	8	LV3A179-002A	TRIGGER ARM		1	
	9	LV3A173-001A	JOINT LEVER		1	
	10	LV23055-003A	ROLLER LEVER		1	
	12	LV3A181-002A	TRANSFER ARM		1	
	13	LV45797-002A	SL LOCK CAM		1	
	14	LV3A182-003A	SL LOCK ARM		1	
	15	LV3A183-001A	PICK LOCK ARM		1	
	18	LV3A187-002A	HELICAL GEAR 1		1	
	19	LV3A188-001A	TRANSFER GEAR		1	
	20	LV3A189-001A	LOAD GEAR H		1	
	21	LV3A190-001A	DRIVE GEAR		1	
	22	LV3A191-001A	JOINT GEAR		1	
	23	LV3A192-001A	WORM GEAR 2		1	
	24	LV3A193-001A	HELICAL GEAR 2		1	
	25	LV3A194-001A	LOAD GEAR V		1	
	26	LV3A195-001A	PICK GEAR 1		1	
	27	LV3A196-001A	PICK GEAR 2		1	
	28	LV3A197-001A	RACK GEAR		1	
	32	LV45796-001A	R.RETAINER L		1	
	33	D3K-0002-00	DAMPER		2	
	38	LV45809-001A	FLOAT SPRING(F)		2	
	39	LV45810-001A	TRIGGER SPRING		1	
	40	LV45811-001A	LOAD SPRING		1	
	41	LV45812-001A	ROLLER SPRING		1	
	42	LV45813-002A	CLAMP SPRING		1	
	43	LV45814-001A	PICK SPRING		1	
	44	LV36813-201A	SUB GUIDE CAP		1	
	46	LV44555-001A	MAIN SHAFT		1	
	49	LV11881-002A	GEAR HOLDER		1	
	50	LV11880-003A	DISC GUIDE		1	
	54	CM-FC2-R	ROLLER ASSY		1	
	55	D10-7176-03	ARM		1	
	56	G01-4809-04	EXTEN.SPRING		1	
	57	D3K-0003-00	DAMPER		1	
	58	LV45835-001A	FLOAT SPRING(R)		2	
	60	LV3A271-001A	CL BASE ASSY		1	
	811	-----	CLAMP ARM	NO SERVICE PART	1	
	816	-----	ROLLER GEAR	NO SERVICE PART	1	
	817	-----	WORM GEAR 1	NO SERVICE PART	1	
	829	-----	ROLLER	NO SERVICE PART	2	
	830	-----	ROLLER SHAFT	NO SERVICE PART	1	
	831	-----	R.RETAINER R	NO SERVICE PART	1	
	834	-----	SIN TWIST WIRE	NO SERVICE PART	1	
	835	-----	SIN TWIST WIRE	NO SERVICE PART	1	
	836	-----	SIN TWIST WIRE	NO SERVICE PART	2	
	845	-----	HC TURN TABLE	NO SERVICE PART	1	
	847	-----	CLAMPER	NO SERVICE PART	1	
	848	-----	WIRE HOLDER	NO SERVICE PART	1	
	851	-----	MD CHASSIS ASSY	NO SERVICE PART	1	
	852	-----	SPINDLE MOTOR	NO SERVICE PART	1	
	853	-----	CD MECHA PWB ASSY	NO SERVICE PART	1	
	859	-----	MOTOR	NO SERVICE PART	1	

MODEL	MARK	MODEL	MARK	MODEL	MARK
DPX-7100DAB	E1	DPX-7100DAB	X1	DPX793BH	K0

Safe	Symbol No.	Parts No.	Parts Name	Description	QTY	Local
<b>MAIN PWB ASSY (XJ1-216x-0x) &lt;XJ1&gt;</b>						
	IC161	BD37069FV-M	ANALOG IC		1	
	IC162	NJM11100F1	ANALOG IC		1	
	IC164	NJM11100F1	ANALOG IC		1	E1,X1
	IC165	NJW4190R-A	ANALOG IC		1	K0
	IC220	NJM8065V	ANALOG IC		1	
△	IC301	JCV8034	ANALOG IC		1	
	IC411	MF1337S395901	MCU IC		1	
	IC430	W3F-0158-00	MCU IC		1	E1,X1
	IC470	TC7SH08FUJF	MOS IC		1	K0
△	IC500	MP9942AGJ	ANALOG IC		1	K0
△	IC540	MP9942AGJ	ANALOG IC		1	
△	IC560	MP9942AGJ	ANALOG IC		1	
△	IC701	STA1080	MPU IC	BGA	1	
△	IC702	TC7SH08FUJF	MOS IC		1	
△	IC821	W3F-0350-00	ROM IC		1	E1,X1
△	IC821	W3F-0355-00	ROM IC		1	K0
△	IC822	W25Q16JVSSIQ	ROM IC		1	
	IC831	IC-PST8428U	MOS IC		1	
	IC880	BD00IA5WEFJ	ANALOG IC		1	
	IC890	BD2242G-G	MOS IC		1	
	IC891	BD2242G-G	MOS IC		1	K0
△	IC901	LV5685PV-H	ANALOG IC		1	
△	IC1901	M12L1281686TN	DRAM IC		1	
	Q220	2SC1623/56/	TRANSISTOR		1	
	Q240	IMX9	DUAL TRANSISTOR		1	
	Q270	KRA303E-P	DIGI TRANSISTOR		1	
	Q271	KTA2014P/Y/	TRANSISTOR		1	
	Q272	KRC403E-P	DIGI TRANSISTOR		1	
	Q273	KRA303E-P	DIGI TRANSISTOR		1	
	Q274	KRC403E-P	DIGI TRANSISTOR		1	
	Q300	IMX9	DUAL TRANSISTOR		1	
	Q310	IMX9	DUAL TRANSISTOR		1	
	Q470	KRC402E-P	DIGI TRANSISTOR		1	K0
	Q471	KRC410E-P	DIGI TRANSISTOR		1	K0
	Q500	LTC043EUBFS8	DIGI TRANSISTOR		1	
	Q890	LTC043EUBFS8	DIGI TRANSISTOR		1	
	Q920	KRA307E-P	TRANSISTOR		1	
	Q941	RE1C002ZP	FET		1	
	Q942	KRC407E-P	DIGI TRANSISTOR		1	
	Q960	RSQ030P03	FET		1	
	Q961	LTC044EUBFS8	DIGI TRANSISTOR		1	
	D220	UDZV6.8B	ZENER DIODE		1	K0
	D221	UDZV6.8B	ZENER DIODE		1	K0
	D222	UDZV5.6B	ZENER DIODE		1	
	D271	BAW56-TP	DIODE ARRAY		1	
	D273	1SS355VM	DIODE		1	
	D370	BAW56-TP	DIODE ARRAY		1	
	D390	SM5818PL	SCHOTTKY DIODE		1	
	D391	MBR0530	DIODE		1	
	D400	RB521SM-30	DIODE		1	
	D401	UDZV5.1B	ZENER DIODE		1	
	D431	DZ2J033M	ZENER DIODE		1	E1,X1
	D471	RSB6.8SM	ZENER DIODE		1	K0
	D472	RSB6.8SM	ZENER DIODE		1	K0
	D473	RSB6.8SM	ZENER DIODE		1	
	D474	RSB6.8SM	ZENER DIODE		1	K0
	D475	UDZV6.8B	ZENER DIODE		1	K0
	D476	UDZV6.8B	ZENER DIODE		1	K0
	D540	SMD24PL	SCHOTTKY DIODE		1	
	D541	SMD24PL	SCHOTTKY DIODE		1	K0
	D560	SK34A-L	SCHOTTKY DIODE		1	
	D830	SM5818PL	SCHOTTKY DIODE		1	E1,X1
	D902	SK34A-L	SCHOTTKY DIODE		1	
	D903	SK34A-L	SCHOTTKY DIODE		1	
△	D991	S3DB	RECTIFIER DIODE		1	
	D2001	UDZV7.5B	ZENER DIODE		1	
	D2002	UDZV7.5B	ZENER DIODE		1	
	D2008	RSB6.8SM	ZENER DIODE		1	
	C101	CK73HXR1H472K	C CAPACITOR	4700pF 50V K	1	
	C102	CK73HXR1H472K	C CAPACITOR	4700pF 50V K	1	
	C103	CK73GXR1A475K	C CAPACITOR	4.7uF 10V K	1	
	C104	CK73FXR1C106K	C CAPACITOR	10uF 16V K	1	
	C105	CK73GXR1A475K	C CAPACITOR	4.7uF 10V K	1	
	C106	CK73HXR1A105K	C CAPACITOR	1uF 10V K	1	
	C161	CE32BJ1V4R7M	E CAPACITOR	4.7uF 35V M	1	
	C162	CE32BJ1V4R7M	E CAPACITOR	4.7uF 35V M	1	
	C163	CE32BJ1V4R7M	E CAPACITOR	4.7uF 35V M	1	
	C164	CE32BJ1V4R7M	E CAPACITOR	4.7uF 35V M	1	
	C165	CE32BJ1V4R7M	E CAPACITOR	4.7uF 35V M	1	
	C166	CE32BJ1V4R7M	E CAPACITOR	4.7uF 35V M	1	
	C167	CK73GXR0J475K	C CAPACITOR	4.7uF 6.3V K	1	
	C168	CK73GXR0J475K	C CAPACITOR	4.7uF 6.3V K	1	
	C169	CE32BY1C470M	E CAPACITOR	47uF 16V M	1	
	C170	CE32CL1C100M	E CAPACITOR	10uF 16V M	1	
	C171	CE32CL1E330M	E CAPACITOR	33uF 25V M	1	E1,X1
	C171	CE32BM1E470M	E CAPACITOR	47uF 25V M	1	K0
	C175	CK73HXR1H103K	C CAPACITOR	0.01uF 50V K	1	
	C176	CK73GXR1A106K	C CAPACITOR	10uF 10V K	1	
	C177	CK73GXR1A106K	C CAPACITOR	10uF 10V K	1	
	C181	CK73FXR1C106K	C CAPACITOR	10uF 16V K	1	K0
	C183	CK73GXR1C105K	C CAPACITOR	1uF 16V K	1	K0

MODEL	MARK	MODEL	MARK	MODEL	MARK
DPX-7100DAB	E1	DPX-7100DAB	X1	DPX793BH	K0

Safe	Symbol No.	Parts No.	Parts Name	Description	QTY	Local
	C187	CK73HXR1A105K	C CAPACITOR	1uF 10V K	1	K0
	C188	CK73GXR1E105K	C CAPACITOR	1uF 25V K	1	K0
	C189	CK73HXR1C104K	C CAPACITOR	0.1uF 16V K	1	E1,X1
	C190	CK73HXR1H103K	C CAPACITOR	0.01uF 50V K	1	E1,X1
	C191	CC73HCH1H101J	C CAPACITOR	100pF 50V J	1	E1,X1
	C192	CK73GXR1A106K	C CAPACITOR	10uF 10V K	1	E1,X1
	C222	CK73GBB1H333K	C CAPACITOR	0.033uF 50V K	1	
	C223	CK73HXR1C333K	C CAPACITOR	0.033uF 16V K	1	
	C224	CK73HXR1A105K	C CAPACITOR	1uF 10V K	1	
	C225	CK73HXR1A105K	C CAPACITOR	1uF 10V K	1	
	C226	CC73HCH1H220J	C CAPACITOR	22pF 50V J	1	
	C227	CK73HXR1H471K	C CAPACITOR	470pF 50V K	1	
	C228	CK73HXR1A105K	C CAPACITOR	1uF 10V K	1	
	C229	CK73HXR1A105K	C CAPACITOR	1uF 10V K	1	
	C230	CK73HXR1A105K	C CAPACITOR	1uF 10V K	1	
	C231	CK73HXR1H471K	C CAPACITOR	470pF 50V K	1	
	C234	CK73HXR1A105K	C CAPACITOR	1uF 10V K	1	
	C235	CK73HXR1A105K	C CAPACITOR	1uF 10V K	1	
	C236	CK73HXR1A104K	C CAPACITOR	0.1uF 10V K	1	
	C237	CK73HXR1H103K	C CAPACITOR	0.01uF 50V K	1	
	C252	CK73EBB1C475K	C CAPACITOR	4.7uF 16V K	1	
	C273	CK73HXR1A105K	C CAPACITOR	1uF 10V K	1	
	C304	CE32CL1E330M	E CAPACITOR	33uF 25V M	1	
	C311	CK73GXR0J475K	C CAPACITOR	4.7uF 6.3V K	1	
	C312	CK730AV1C105K	C CAPACITOR	1uF 16V K	1	
	C316	CK730AV1C224K	C CAPACITOR	0.22uF 16V K	1	
	C317	CK730AV1C224K	C CAPACITOR	0.22uF 16V K	1	
	C318	CK730AV1C224K	C CAPACITOR	0.22uF 16V K	1	
	C319	CK730AV1C224K	C CAPACITOR	0.22uF 16V K	1	
	C322	CK73EBB1C475K	C CAPACITOR	4.7uF 16V K	1	
	C332	CK73EBB1C475K	C CAPACITOR	4.7uF 16V K	1	
	C342	CK73EBB1C475K	C CAPACITOR	4.7uF 16V K	1	
	C352	CK73EBB1C475K	C CAPACITOR	4.7uF 16V K	1	
	C370	CK73GXR1H104K	C CAPACITOR	0.1uF 50V K	1	
	C390	CK73HXR1E224K	C CAPACITOR	0.22uF 25V K	1	
	C391	CK73HXR1E224K	C CAPACITOR	0.22uF 25V K	1	
	C410	CK73HXR1A104K	C CAPACITOR	0.1uF 10V K	1	
	C411	CC73HCH1H101J	C CAPACITOR	100pF 50V J	1	E1,X1
	C430	CK73HXR1A105K	C CAPACITOR	1uF 10V K	1	E1,X1
	C431	CK73HXR0J474K	C CAPACITOR	0.47uF 6.3V K	1	E1,X1
	C432	CK73HBB1A104K	C CAPACITOR	0.1uF 10V K	1	E1,X1
	C472	CK73HXR1E104K	C CAPACITOR	0.1uF 25V K	1	K0
	C473	CK73FXR1C106K	C CAPACITOR	10uF 16V K	1	K0
	C474	CK73GXR1C225K	C CAPACITOR	2.2uF 16V K	1	K0
	C475	CK73GXR1C225K	C CAPACITOR	2.2uF 16V K	1	K0
	C500	CE32CC1A151M	E CAPACITOR	150uF 10V M	1	K0
	C501	CK73FXR1A106K	C CAPACITOR	10uF 10V K	1	K0
	C502	CK73GXR1H104K	C CAPACITOR	0.1uF 50V K	1	K0
	C503	CK73GXR1H104K	C CAPACITOR	0.1uF 50V K	1	K0
	C504	CK73HXR1C104K	C CAPACITOR	0.1uF 16V K	1	K0
	C505	CK73FXR1C106K	C CAPACITOR	10uF 16V K	1	K0
	C506	CK73FXR1C106K	C CAPACITOR	10uF 16V K	1	K0
	C507	CK73HXR1A224K	C CAPACITOR	0.22uF 10V K	1	K0
	C508	CK73HXR1A224K	C CAPACITOR	0.22uF 10V K	1	K0
	C509	CC73HCH1H150J	C CAPACITOR	15pF 50V J	1	K0
	C510	CK73GXR1H104K	C CAPACITOR	0.1uF 50V K	1	K0
	C540	CE32CC1A151M	E CAPACITOR	150uF 10V M	1	
	C541	CK73GXR1A106K	C CAPACITOR	10uF 10V K	1	
	C542	CK73GXR1H104K	C CAPACITOR	0.1uF 50V K	1	
	C543	CK73HXR1E104K	C CAPACITOR	0.1uF 25V K	1	
	C545	CK73FXR1C106K	C CAPACITOR	10uF 16V K	1	
	C546	CK73FXR1C106K	C CAPACITOR	10uF 16V K	1	
	C547	CK73GXR1H104K	C CAPACITOR	0.1uF 50V K	1	
	C548	CK73HXR1A224K	C CAPACITOR	0.22uF 10V K	1	
	C549	CK73HXR1A224K	C CAPACITOR	0.22uF 10V K	1	
	C550	CC73HCH1H150J	C CAPACITOR	15pF 50V J	1	
	C551	CD04ET1C222M1	E CAPACITOR	2200uF 16V M	1	
	C552	CK73HXR1E104K	C CAPACITOR	0.1uF 25V K	1	
	C560	CE32CC1A151M	E CAPACITOR	150uF 10V M	1	
	C561	CK73GXR0J106K	C CAPACITOR	10uF 6.3V K	1	
	C562	CK73GXR1H104K	C CAPACITOR	0.1uF 50V K	1	
	C563	CK73HXR1E104K	C CAPACITOR	0.1uF 25V K	1	
	C565	CK73EXR1E106K	C CAPACITOR	10uF 25V K	1	
	C567	CK73GXR1H104K	C CAPACITOR	0.1uF 50V K	1	
	C568	CK73HXR1A224K	C CAPACITOR	0.22uF 10V K	1	
	C569	CK73HXR1A224K	C CAPACITOR	0.22uF 10V K	1	
	C570	CC73HCH1H150J	C CAPACITOR	15pF 50V J	1	
	C625	CK73HBB1H472K	C CAPACITOR	4700pF 50V K	1	
	C626	CK73FXR0J106K	C CAPACITOR	10uF 6.3V K	1	
	C627	CK73HXR1H104K	C CAPACITOR	0.1uF 50V K	1	
	C628	CC73HCH1H050C	C CAPACITOR	5pF 50V C	1	
	C629	CC73HCH1H020C	C CAPACITOR	2pF 50V C	1	
	C680	CK73GXR0J225K	C CAPACITOR	2.2uF 6.3V K	1	
	C702	CK73GXR0J106K	C CAPACITOR	10uF 6.3V K	1	
	C703	CK73HXR1H103K	C CAPACITOR	0.01uF 50V K	1	
	C704	CC73HCH1H150J	C CAPACITOR	15pF 50V J	1	
	C705	CC73HCH1H150J	C CAPACITOR	15pF 50V J	1	
	C706	CK73GXR0J106K	C CAPACITOR	10uF 6.3V K	1	
	C707	CK73HXR1H103K	C CAPACITOR	0.01uF 50V K	1	
	C708	CC73HCH1H101J	C CAPACITOR	100pF 50V J	1	
	C709	CC73HCH1H100D	C CAPACITOR	10pF 50V D	1	
	C710	CK73HXR1H222K	C CAPACITOR	2200pF 50V K	1	

MODEL	MARK	MODEL	MARK	MODEL	MARK
DPX-7100DAB	E1	DPX-7100DAB	X1	DPX793BH	K0

Safe	Symbol No.	Parts No.	Parts Name	Description	QTY	Local
	C711	CC73HCH1H100D	C CAPACITOR	10pF 50V D	1	
	C713	CK73HXR1A105K	C CAPACITOR	1uF 10V K	1	
	C714	CK73HXR1H103K	C CAPACITOR	0.01uF 50V K	1	
	C715	CC73HCH1H101J	C CAPACITOR	100pF 50V J	1	
	C717	CK73HXR1A105K	C CAPACITOR	1uF 10V K	1	
	C718	CC73HCH1H470J	C CAPACITOR	47pF 50V J	1	
	C719	CK73HXR1A105K	C CAPACITOR	1uF 10V K	1	
	C720	CK73HXR1A104K	C CAPACITOR	0.1uF 10V K	1	
	C721	CC73HCH1H101J	C CAPACITOR	100pF 50V J	1	
	C722	CK73GXR0J106K	C CAPACITOR	10uF 6.3V K	1	
	C723	CK73HXR1A105K	C CAPACITOR	1uF 10V K	1	
	C724	CK73HXR1H103K	C CAPACITOR	0.01uF 50V K	1	
	C725	CK73GXR0J106K	C CAPACITOR	10uF 6.3V K	1	
	C726	CK73HXR1H103K	C CAPACITOR	0.01uF 50V K	1	
	C727	CK73GXR0J106K	C CAPACITOR	10uF 6.3V K	1	
	C728	CC73HCH1H101J	C CAPACITOR	100pF 50V J	1	
	C729	CK73GXR0J475K	C CAPACITOR	4.7uF 6.3V K	1	
	C730	CC73HCH1H101J	C CAPACITOR	100pF 50V J	1	
	C731	CK73GXR0J475K	C CAPACITOR	4.7uF 6.3V K	1	
	C732	CK73HXR1E153K	C CAPACITOR	0.015uF 25V K	1	
	C733	CK73GXR0J475K	C CAPACITOR	4.7uF 6.3V K	1	
	C735	CK73HXR1H472K	C CAPACITOR	4700pF 50V K	1	
	C736	CC73HCH1H070D	C CAPACITOR	7pF 50V D	1	
	C737	CC73HCH1H080D	C CAPACITOR	8pF 50V D	1	
	C738	CK73HXR1H472K	C CAPACITOR	4700pF 50V K	1	
	C740	CC73HCH1H101J	C CAPACITOR	100pF 50V J	1	
	C741	CC73HCH1H100D	C CAPACITOR	10pF 50V D	1	
	C742	CC73HCH1H101J	C CAPACITOR	100pF 50V J	1	
	C743	CK73HXR1C104K	C CAPACITOR	0.1uF 16V K	1	
	C744	CK73HXR1A105K	C CAPACITOR	1uF 10V K	1	
	C745	CK73HXR1H471K	C CAPACITOR	470pF 50V K	1	
	C750	CK73GXR0J475K	C CAPACITOR	4.7uF 6.3V K	1	
	C756	CK73HXR1A105K	C CAPACITOR	1uF 10V K	1	
	C820	CK73HXR1H472K	C CAPACITOR	4700pF 50V K	1	
	C821	CK73HXR1H471K	C CAPACITOR	470pF 50V K	1	
	C822	CK73HXR1H472K	C CAPACITOR	4700pF 50V K	1	E1,X1
	C822	CK73HBB1H471K	C CAPACITOR	470pF 50V K	1	K0
	C824	CC73HCH1H101J	C CAPACITOR	100pF 50V J	1	
	C830	CK73HXR1H471K	C CAPACITOR	470pF 50V K	1	
	C831	CK73HXR1A105K	C CAPACITOR	1uF 10V K	1	
	C832	CK73HXR1A104K	C CAPACITOR	0.1uF 10V K	1	
	C880	CK73GXR0J475K	C CAPACITOR	4.7uF 6.3V K	1	
	C890	CK73HXR1A105K	C CAPACITOR	1uF 10V K	1	
	C891	CK73GXR0J106K	C CAPACITOR	10uF 6.3V K	1	
	C892	CK73HXR1A105K	C CAPACITOR	1uF 10V K	1	
	C895	CK73HXR1A105K	C CAPACITOR	1uF 10V K	1	K0
	C896	CK73GXR0J106K	C CAPACITOR	10uF 6.3V K	1	K0
	C897	CK73HXR1H471K	C CAPACITOR	470pF 50V K	1	K0
	C898	CC73HCH1H270J	C CAPACITOR	27pF 50V J	1	K0
	C899	CC73HCH1H270J	C CAPACITOR	27pF 50V J	1	K0
	C903	CE32BZ1C220M	E CAPACITOR	22uF 16V M	1	
	C904	CK73HXR1A105K	C CAPACITOR	1uF 10V K	1	
	C906	CK73HXR1A105K	C CAPACITOR	1uF 10V K	1	
	C907	CE32BZ0J101M	E CAPACITOR	100uF 6.3V M	1	
	C908	CK73HXR1C105K	C CAPACITOR	1uF 16V K	1	
	C909	CK73HXR1A104K	C CAPACITOR	0.1uF 10V K	1	
	C910	CK73HXR1A105K	C CAPACITOR	1uF 10V K	1	
	C911	CK73HXR1E104K	C CAPACITOR	0.1uF 25V K	1	
	C912	CK73HXR1A105K	C CAPACITOR	1uF 10V K	1	
	C914	CK73HXR1C105K	C CAPACITOR	1uF 16V K	1	
	C916	CK73HXR1H103K	C CAPACITOR	0.01uF 50V K	1	
	C917	CK73HXR1C224K	C CAPACITOR	0.22uF 16V K	1	
	C919	CE32BZ1C221M	E CAPACITOR	220uF 16V M	1	
	C942	CK73HXR1H104K	C CAPACITOR	0.1uF 50V K	1	
	C990	CD04EU1C222M1	E CAPACITOR	2200uF 16V M	1	
	C1002	CK73HXR1H472K	C CAPACITOR	4700pF 50V K	1	
	C1005	CK73HXR1H471K	C CAPACITOR	470pF 50V K	1	K0
	C1006	CK73HXR1H471K	C CAPACITOR	470pF 50V K	1	K0
	C1018	CK73GXR1H103K	C CAPACITOR	0.01uF 50V K	1	K0
	C1020	CK73HXR1A104K	C CAPACITOR	0.1uF 10V K	1	
	C1025	CK73HXR1H471K	C CAPACITOR	470pF 50V K	1	
	C1034	CK73HBB1A104K	C CAPACITOR	0.1uF 10V K	1	
	C1243	CK73HXR1A105K	C CAPACITOR	1uF 10V K	1	
	C1252	CC73HCH1H020C	C CAPACITOR	2pF 50V C	1	
	C1253	CC73HCH1H020C	C CAPACITOR	2pF 50V C	1	
	C1301	CK73HXR1C105K	C CAPACITOR	1uF 16V K	1	
	C1305	CK73GXR0J106K	C CAPACITOR	10uF 6.3V K	1	
	C1306	CK73HXR1A104K	C CAPACITOR	0.1uF 10V K	1	
	C1902	CK73HXR1A104K	C CAPACITOR	0.1uF 10V K	1	
	C1903	CK73HXR1A104K	C CAPACITOR	0.1uF 10V K	1	
	C1904	CK73HXR1A104K	C CAPACITOR	0.1uF 10V K	1	
	C1905	CK73HXR1A105K	C CAPACITOR	1uF 10V K	1	
	C1906	CK73HXR1A104K	C CAPACITOR	0.1uF 10V K	1	
	C1907	CK73HXR1A104K	C CAPACITOR	0.1uF 10V K	1	
	C1908	CK73HXR1A104K	C CAPACITOR	0.1uF 10V K	1	
	C1909	CK73HXR1H472K	C CAPACITOR	4700pF 50V K	1	
	C2000	CC73HCH1H101J	C CAPACITOR	100pF 50V J	1	
	C2001	CK73HXR1H103K	C CAPACITOR	0.01uF 50V K	1	
	C2007	CK73GXR1A105K	C CAPACITOR	1uF 10V K	1	
	C2023	CK73HXR1A105K	C CAPACITOR	1uF 10V K	1	
	C2024	CK73HXR1H471K	C CAPACITOR	470pF 50V K	1	
	C2026	CK73GXR0J106K	C CAPACITOR	10uF 6.3V K	1	
	C2029	CC73HCH1H050C	C CAPACITOR	5pF 50V C	1	

MODEL	MARK	MODEL	MARK	MODEL	MARK
DPX-7100DAB	E1	DPX-7100DAB	X1	DPX793BH	K0

Safe	Symbol No.	Parts No.	Parts Name	Description	QTY	Local
	C2030	CC73HCH1H050C	C CAPACITOR	5pF 50V C	1	
	C2035	CK73HXR1A105K	C CAPACITOR	1uF 10V K	1	
	C2037	CK73HXR1A105K	C CAPACITOR	1uF 10V K	1	E1,X1
	C2038	CK73HXR1A105K	C CAPACITOR	1uF 10V K	1	
	C2039	CK73HXR1H472K	C CAPACITOR	4700pF 50V K	1	
	C2040	CC73HCH1H100D	C CAPACITOR	10pF 50V D	1	
	C2041	CC73HCH1H101J	C CAPACITOR	100pF 50V J	1	
	C2042	CC73HCH1H101J	C CAPACITOR	100pF 50V J	1	
	C2043	CK73HXR1A105K	C CAPACITOR	1uF 10V K	1	
	C2044	CC73HCH1H101J	C CAPACITOR	100pF 50V J	1	
	C2060	CK73HXR1H472K	C CAPACITOR	4700pF 50V K	1	
	C2066	CK73HXR1A105K	C CAPACITOR	1uF 10V K	1	
	C2067	CC73HCH1H101J	C CAPACITOR	100pF 50V J	1	
	C2080	CC73HCH1H050C	C CAPACITOR	5pF 50V C	1	
	C2084	CK73HXR1C104K	C CAPACITOR	0.1uF 16V K	1	
	C2117	CC73HCH1H101J	C CAPACITOR	100pF 50V J	1	
	C9000	CK73HXR1H472K	C CAPACITOR	4700pF 50V K	1	
	C9001	CC73HCH1H471J	C CAPACITOR	470pF 50V J	1	
	C9003	CC73HCH1H471J	C CAPACITOR	470pF 50V J	1	K0
	C9006	CK73HXR1H103K	C CAPACITOR	0.01uF 50V K	1	K0
	C9008	CK73HXR1H103K	C CAPACITOR	0.01uF 50V K	1	
	C9010	CK73HXR1H103K	C CAPACITOR	0.01uF 50V K	1	
	C9011	CK73HXR1A105K	C CAPACITOR	1uF 10V K	1	E1,X1
	C9013	CK73HXR1H471K	C CAPACITOR	470pF 50V K	1	
	C9020	CK73HXR1A105K	C CAPACITOR	1uF 10V K	1	
	C9022	CC73HCH1H471J	C CAPACITOR	470pF 50V J	1	
	C9025	CK73HXR1H103K	C CAPACITOR	0.01uF 50V K	1	K0
	C9030	CK73HXR1H103K	C CAPACITOR	0.01uF 50V K	1	
	C9031	CK73HXR1H103K	C CAPACITOR	0.01uF 50V K	1	
	C9032	CK73HXR1H472K	C CAPACITOR	4700pF 50V K	1	
	C9034	CK73HXR1H103K	C CAPACITOR	0.01uF 50V K	1	
	C9036	CK73HXR1H471K	C CAPACITOR	470pF 50V K	1	
	C9037	CK73HXR1H472K	C CAPACITOR	4700pF 50V K	1	
	C9038	CK73HXR1H471K	C CAPACITOR	470pF 50V K	1	
	C9039	CK73FXR1C106K	C CAPACITOR	10uF 16V K	1	
	C9044	CK73HXR1H471K	C CAPACITOR	470pF 50V K	1	E1,X1
	C9044	CK73HXR1H472K	C CAPACITOR	4700pF 50V K	1	K0
	C9045	CC73HCH1H471J	C CAPACITOR	470pF 50V J	1	
	C9046	CC73HCH1H471J	C CAPACITOR	470pF 50V J	1	
	C9049	CK73HXR1H472K	C CAPACITOR	4700pF 50V K	1	
	C9050	CK73HXR1H472K	C CAPACITOR	4700pF 50V K	1	
	C9051	CK73HXR1H471K	C CAPACITOR	470pF 50V K	1	K0
	C9052	CK73HXR1H471K	C CAPACITOR	470pF 50V K	1	
	C9054	CK73GBB1H471K	C CAPACITOR	470pF 50V K	1	K0
	C9059	CK73HXR1H471K	C CAPACITOR	470pF 50V K	1	
	C9061	CC73HCH1H101J	C CAPACITOR	100pF 50V J	1	
	C9068	CC73HCH1H101J	C CAPACITOR	100pF 50V J	1	
	C9072	CK73EXR1E106K	C CAPACITOR	10uF 25V K	1	
	C9076	CC73HCH1H100D	C CAPACITOR	10pF 50V D	1	K0
	C9077	CC73HCH1H010C	C CAPACITOR	1pF 50V C	1	
	C9078	CC73HCH1H010C	C CAPACITOR	1pF 50V C	1	
	C9079	CC73HCH1H010C	C CAPACITOR	1pF 50V C	1	
	C9080	CK73HXR1H471K	C CAPACITOR	470pF 50V K	1	
	C9081	CK73HXR1H472K	C CAPACITOR	4700pF 50V K	1	
	C9082	CK73HXR1H471K	C CAPACITOR	470pF 50V K	1	
	C9083	CK73FXR1C106K	C CAPACITOR	10uF 16V K	1	
	C9085	CK73HXR1H103K	C CAPACITOR	0.01uF 50V K	1	
	C9086	CK73HXR1H103K	C CAPACITOR	0.01uF 50V K	1	
	C9087	CK73HXR1H103K	C CAPACITOR	0.01uF 50V K	1	
	C9089	CK73GXR1H103K	C CAPACITOR	0.01uF 50V K	1	
	C9091	CK73HXR1H471K	C CAPACITOR	470pF 50V K	1	
	C9092	CK73HXR1H472K	C CAPACITOR	4700pF 50V K	1	K0
	C9093	CK73GXR0J106K	C CAPACITOR	10uF 6.3V K	1	
	C9094	CC73HCH1H0R5C	C CAPACITOR	0.5pF 50V C	1	
	C9095	CC73HCH1H0R5C	C CAPACITOR	0.5pF 50V C	1	
	C9097	CK73HXR1C105K	C CAPACITOR	1uF 16V K	1	K0
	C9101	CC73HCH1H0R5C	C CAPACITOR	0.5pF 50V C	1	K0
	C9112	CK73FXR0J106K	C CAPACITOR	10uF 6.3V K	1	E1,X1
	C9113	CK73FXR0J226M	C CAPACITOR	22uF 6.3V M	1	K0
	C9114	CK73FXR0J106K	C CAPACITOR	10uF 6.3V K	1	K0
	C9118	CK73HXR1H103K	C CAPACITOR	0.01uF 50V K	1	K0
	R100	RK73HB1J471J	MG RESISTOR	470Ω 1/16W J	1	
	R112	RK73HB1J000J	MG RESISTOR	0Ω 1/16W J	1	
	R113	RK73HB1J000J	MG RESISTOR	0Ω 1/16W J	1	
	R114	RK73HB1J000J	MG RESISTOR	0Ω 1/16W J	1	
	R118	RK73HB1J000J	MG RESISTOR	0Ω 1/16W J	1	
	R119	RK73HB1J000J	MG RESISTOR	0Ω 1/16W J	1	
	R120	RK73HB1J000J	MG RESISTOR	0Ω 1/16W J	1	
	R145	RK73HB1J680J	MG RESISTOR	68Ω 1/16W J	1	
	R146	RK73HB1J680J	MG RESISTOR	68Ω 1/16W J	1	
	R147	RK73HB1J680J	MG RESISTOR	68Ω 1/16W J	1	
	R148	RK73HB1J680J	MG RESISTOR	68Ω 1/16W J	1	
	R149	RK73HB1J680J	MG RESISTOR	68Ω 1/16W J	1	
	R150	RK73HB1J680J	MG RESISTOR	68Ω 1/16W J	1	
	R160	RK73HB1J000J	MG RESISTOR	0Ω 1/16W J	1	E1,X1
	R161	RK73HB1J000J	MG RESISTOR	0Ω 1/16W J	1	
	R162	RK73GB2A101J	MG RESISTOR	100Ω 1/10W J	1	
	R165	RK73HH1J152D	MG RESISTOR	1.5kΩ 1/16W D	1	
	R166	RK73HH1J822D	MG RESISTOR	8.2kΩ 1/16W D	1	
	R173	RK73GB2A101J	MG RESISTOR	100Ω 1/10W J	1	
	R175	RK73FB2B000J	MG RESISTOR	0Ω 1/8W J	1	K0
	R176	RK73GB2A000J	MG RESISTOR	0Ω 1/10W J	1	K0

MODEL	MARK	MODEL	MARK	MODEL	MARK
DPX-7100DAB	E1	DPX-7100DAB	X1	DPX793BH	K0

Safe	Symbol No.	Parts No.	Parts Name	Description	QTY	Local
	R177	RK73HB1J562J	MG RESISTOR	5.6kΩ 1/16W J	1	K0
	R178	RK73GB2A752J	MG RESISTOR	7.5kΩ 1/10W J	1	K0
	R179	RK73HH1J102D	MG RESISTOR	1kΩ 1/16W D	1	K0
	R180	RK73HH1J153D	MG RESISTOR	15kΩ 1/16W D	1	K0
	R181	RK73HB1J103J	MG RESISTOR	10kΩ 1/16W J	1	K0
	R182	RK73HH1J752D	MG RESISTOR	7.5kΩ 1/16W D	1	E1,X1
	R183	RK73HH1J132D	MG RESISTOR	1.3kΩ 1/16W D	1	E1,X1
	R188	RK73FB2B000J	MG RESISTOR	0Ω 1/8W J	1	E1,X1
	R220	RK73HB1J101J	MG RESISTOR	100Ω 1/16W J	1	
	R221	RK73HB1J101J	MG RESISTOR	100Ω 1/16W J	1	
	R222	RK73HB1J000J	MG RESISTOR	0Ω 1/16W J	1	
	R223	RK73HB1J822J	MG RESISTOR	8.2kΩ 1/16W J	1	
	R224	RK73HB1J103J	MG RESISTOR	10kΩ 1/16W J	1	
	R225	RK73HB1J333J	MG RESISTOR	33kΩ 1/16W J	1	
	R226	RK73HB1J122J	MG RESISTOR	1.2kΩ 1/16W J	1	
	R227	RK73HB1J124J	MG RESISTOR	120kΩ 1/16W J	1	
	R229	RK73HB1J122J	MG RESISTOR	1.2kΩ 1/16W J	1	
	R230	RK73HB1J124J	MG RESISTOR	120kΩ 1/16W J	1	
	R231	RK73HB1J103J	MG RESISTOR	10kΩ 1/16W J	1	
	R232	RK73HB1J103J	MG RESISTOR	10kΩ 1/16W J	1	
	R233	RK73HB1J681J	MG RESISTOR	680Ω 1/16W J	1	
	R234	RK73GB2A222J	MG RESISTOR	2.2kΩ 1/10W J	1	
	R237	RK73HB1J471J	MG RESISTOR	470Ω 1/16W J	1	
	R238	RK73HB1J103J	MG RESISTOR	10kΩ 1/16W J	1	
	R250	RK73HB1J181J	MG RESISTOR	180Ω 1/16W J	1	
	R251	RK73HB1J223J	MG RESISTOR	22kΩ 1/16W J	1	
	R252	RK73HB1J331J	MG RESISTOR	330Ω 1/16W J	1	
	R253	RK73GB2A000J	MG RESISTOR	0Ω 1/10W J	1	
	R254	RK73HB1J472J	MG RESISTOR	4.7kΩ 1/16W J	1	
	R270	RK73GB2A104J	MG RESISTOR	100kΩ 1/10W J	1	
	R271	RK73HB1J331J	MG RESISTOR	330Ω 1/16W J	1	
	R272	RK73HB1J303J	MG RESISTOR	30kΩ 1/16W J	1	
	R273	RK73GB2A223J	MG RESISTOR	22kΩ 1/10W J	1	
	R302	RK73GB2A432J	MG RESISTOR	4.3kΩ 1/10W J	1	
	R303	RK73EB2E160J	MG RESISTOR	16Ω 1/4W J	1	
	R304	RK73HB1J473J	MG RESISTOR	47kΩ 1/16W J	1	
	R305	RK73EB2E1R0J	MG RESISTOR	1Ω 1/4W J	1	
	R316	RK73HB1J680J	MG RESISTOR	68Ω 1/16W J	1	
	R317	RK73HB1J680J	MG RESISTOR	68Ω 1/16W J	1	
	R318	RK73HB1J680J	MG RESISTOR	68Ω 1/16W J	1	
	R319	RK73HB1J680J	MG RESISTOR	68Ω 1/16W J	1	
	R320	RK73HB1J181J	MG RESISTOR	180Ω 1/16W J	1	
	R321	RK73HB1J223J	MG RESISTOR	22kΩ 1/16W J	1	
	R322	RK73HB1J472J	MG RESISTOR	4.7kΩ 1/16W J	1	
	R323	RK73HB1J331J	MG RESISTOR	330Ω 1/16W J	1	
	R330	RK73HB1J181J	MG RESISTOR	180Ω 1/16W J	1	
	R331	RK73HB1J223J	MG RESISTOR	22kΩ 1/16W J	1	
	R332	RK73HB1J472J	MG RESISTOR	4.7kΩ 1/16W J	1	
	R333	RK73HB1J331J	MG RESISTOR	330Ω 1/16W J	1	
	R340	RK73HB1J181J	MG RESISTOR	180Ω 1/16W J	1	
	R341	RK73HB1J223J	MG RESISTOR	22kΩ 1/16W J	1	
	R342	RK73HB1J472J	MG RESISTOR	4.7kΩ 1/16W J	1	
	R343	RK73HB1J331J	MG RESISTOR	330Ω 1/16W J	1	
	R350	RK73HB1J181J	MG RESISTOR	180Ω 1/16W J	1	
	R351	RK73HB1J223J	MG RESISTOR	22kΩ 1/16W J	1	
	R352	RK73HB1J472J	MG RESISTOR	4.7kΩ 1/16W J	1	
	R353	RK73HB1J331J	MG RESISTOR	330Ω 1/16W J	1	
	R370	RK73GB2A683J	MG RESISTOR	68kΩ 1/10W J	1	
	R371	RK73GB2A123J	MG RESISTOR	12kΩ 1/10W J	1	
	R372	RK73HB1J103J	MG RESISTOR	10kΩ 1/16W J	1	
	R390	RK73FB2B472J	MG RESISTOR	4.7kΩ 1/8W J	1	
	R400	RK73HB1J102J	MG RESISTOR	1kΩ 1/16W J	1	
	R410	RK73HB1J101J	MG RESISTOR	100Ω 1/16W J	1	
	R411	RK73HB1J101J	MG RESISTOR	100Ω 1/16W J	1	
	R412	RK73HB1J472J	MG RESISTOR	4.7kΩ 1/16W J	1	
	R413	RK73HB1J472J	MG RESISTOR	4.7kΩ 1/16W J	1	
	R414	RK73HB1J472J	MG RESISTOR	4.7kΩ 1/16W J	1	
	R420	RK73HB1J101J	MG RESISTOR	100Ω 1/16W J	1	E1,X1
	R421	RK73HB1J101J	MG RESISTOR	100Ω 1/16W J	1	E1,X1
	R422	RK73HB1J101J	MG RESISTOR	100Ω 1/16W J	1	E1,X1
	R423	RK73HB1J101J	MG RESISTOR	100Ω 1/16W J	1	E1,X1
	R424	RK73HB1J101J	MG RESISTOR	100Ω 1/16W J	1	E1,X1
	R425	RK73GB2A472J	MG RESISTOR	4.7kΩ 1/10W J	1	E1,X1
	R426	RK73GB2A472J	MG RESISTOR	4.7kΩ 1/10W J	1	E1,X1
	R427	RK73GB2A472J	MG RESISTOR	4.7kΩ 1/10W J	1	E1,X1
	R428	RK73GB2A472J	MG RESISTOR	4.7kΩ 1/10W J	1	E1,X1
	R429	RK73GB2A472J	MG RESISTOR	4.7kΩ 1/10W J	1	E1,X1
	R430	RK73HB1J473J	MG RESISTOR	47kΩ 1/16W J	1	E1,X1
	R431	RK73HB1J102J	MG RESISTOR	1kΩ 1/16W J	1	E1,X1
	R432	RK73HB1J473J	MG RESISTOR	47kΩ 1/16W J	1	E1,X1
	R433	RK73HB1J473J	MG RESISTOR	47kΩ 1/16W J	1	E1,X1
	R434	RK73GB2A102J	MG RESISTOR	1kΩ 1/10W J	1	E1,X1
	R435	RK73HB1J473J	MG RESISTOR	47kΩ 1/16W J	1	E1,X1
	R436	RK73HB1J473J	MG RESISTOR	47kΩ 1/16W J	1	E1,X1
	R439	RK73HB1J000J	MG RESISTOR	0Ω 1/16W J	1	K0
	R447	RK73GB2A221J	MG RESISTOR	220Ω 1/10W J	1	E1,X1
	R448	RK73GB2A221J	MG RESISTOR	220Ω 1/10W J	1	E1,X1
	R449	RK73GB2A221J	MG RESISTOR	220Ω 1/10W J	1	E1,X1
	R450	RK73HB1J221J	MG RESISTOR	220Ω 1/16W J	1	E1,X1
	R451	RK73HB1J221J	MG RESISTOR	220Ω 1/16W J	1	E1,X1
	R452	RK73HB1J472J	MG RESISTOR	4.7kΩ 1/16W J	1	E1,X1
	R453	RK73GB2A472J	MG RESISTOR	4.7kΩ 1/10W J	1	E1,X1

MODEL	MARK	MODEL	MARK	MODEL	MARK
DPX-7100DAB	E1	DPX-7100DAB	X1	DPX793BH	K0

Safe	Symbol No.	Parts No.	Parts Name	Description	QTY	Local
R454		RK73GB2A472J	MG RESISTOR	4.7kΩ 1/10W J	1	E1,X1
R455		RK73HB1J472J	MG RESISTOR	4.7kΩ 1/16W J	1	E1,X1
R456		RK73HB1J472J	MG RESISTOR	4.7kΩ 1/16W J	1	E1,X1
R457		RK73HB1J152J	MG RESISTOR	1.5kΩ 1/16W J	1	E1,X1
R458		RK73GB2A473J	MG RESISTOR	47kΩ 1/10W J	1	E1,X1
R459		RK73GB2A221J	MG RESISTOR	220Ω 1/10W J	1	E1,X1
R460		RK73HB1J473J	MG RESISTOR	47kΩ 1/16W J	1	E1,X1
R471		RK73HB1J101J	MG RESISTOR	100Ω 1/16W J	1	K0
R472		RK73HB1J101J	MG RESISTOR	100Ω 1/16W J	1	K0
R473		RK73HB1J472J	MG RESISTOR	4.7kΩ 1/16W J	1	K0
R474		RK73FB2B221J	MG RESISTOR	220Ω 1/8W J	1	K0
R475		RK73GB2A100J	MG RESISTOR	10Ω 1/10W J	1	K0
R476		RK73HB1J223J	MG RESISTOR	22kΩ 1/16W J	1	K0
R477		RK73HB1J104J	MG RESISTOR	100kΩ 1/16W J	1	K0
R501		RK73GB2A102J	MG RESISTOR	1kΩ 1/10W J	1	K0
R502		RK73GB2A512J	MG RESISTOR	5.1kΩ 1/10W J	1	K0
R503		RK73GB2A200J	MG RESISTOR	20Ω 1/10W J	1	K0
R504		RK73HB1J393J	MG RESISTOR	39kΩ 1/16W J	1	K0
R505		RK73GB2A000J	MG RESISTOR	0Ω 1/10W J	1	K0
R506		RK73HH1J683D	MG RESISTOR	68kΩ 1/16W D	1	K0
R507		RK73HH1J393D	MG RESISTOR	39kΩ 1/16W D	1	K0
R508		RK73HH1J183D	MG RESISTOR	18kΩ 1/16W D	1	K0
R541		RK73GB2A512J	MG RESISTOR	5.1kΩ 1/10W J	1	
R542		RK73HB1J102J	MG RESISTOR	1kΩ 1/16W J	1	
R543		RK73GB2A200J	MG RESISTOR	20Ω 1/10W J	1	
R544		RK73HB1J393J	MG RESISTOR	39kΩ 1/16W J	1	
R545		RK73HH1J183D	MG RESISTOR	18kΩ 1/16W D	1	
R546		RK73HH1J393D	MG RESISTOR	39kΩ 1/16W D	1	
R548		RK73HH1J683D	MG RESISTOR	68kΩ 1/16W D	1	
R549		RK73GB2A222J	MG RESISTOR	2.2kΩ 1/10W J	1	
R563		RK73GB2A200J	MG RESISTOR	20Ω 1/10W J	1	
R564		RK73HB1J513J	MG RESISTOR	51kΩ 1/16W J	1	
R565		RK73HH1J163D	MG RESISTOR	16kΩ 1/16W D	1	
R567		RK73HH1J513D	MG RESISTOR	51kΩ 1/16W D	1	
R607		RK73GB2A100J	MG RESISTOR	10Ω 1/10W J	1	
R608		RK73HB1J000J	MG RESISTOR	0Ω 1/16W J	1	
R650		RK73HB1J101J	MG RESISTOR	100Ω 1/16W J	1	K0
R651		RK73HB1J101J	MG RESISTOR	100Ω 1/16W J	1	K0
R652		RK73HB1J101J	MG RESISTOR	100Ω 1/16W J	1	K0
R653		RK73HB1J101J	MG RESISTOR	100Ω 1/16W J	1	K0
R654		RK73HB1J101J	MG RESISTOR	100Ω 1/16W J	1	K0
R682		RK73HB1J101J	MG RESISTOR	100Ω 1/16W J	1	
R683		RK73HB1J000J	MG RESISTOR	0Ω 1/16W J	1	
R684		RK73HB1J392J	MG RESISTOR	3.9kΩ 1/16W J	1	
R685		RK73HB1J392J	MG RESISTOR	3.9kΩ 1/16W J	1	
R694		RK73HB1J000J	MG RESISTOR	0Ω 1/16W J	1	E1,X1
R702		RK73HB1J472J	MG RESISTOR	4.7kΩ 1/16W J	1	E1,X1
R702		RK73HB1J222J	MG RESISTOR	2.2kΩ 1/16W J	1	K0
R703		RK73HB1J101J	MG RESISTOR	100Ω 1/16W J	1	
R704		RK73GB2A472J	MG RESISTOR	4.7kΩ 1/10W J	1	E1,X1
R704		RK73GB2A222J	MG RESISTOR	2.2kΩ 1/10W J	1	K0
R705		RK73HB1J101J	MG RESISTOR	100Ω 1/16W J	1	
R706		RK73HB1J332J	MG RESISTOR	3.3kΩ 1/16W J	1	
R707		RK73HB1J101J	MG RESISTOR	100Ω 1/16W J	1	
R709		RK73HB1J472J	MG RESISTOR	4.7kΩ 1/16W J	1	
R710		RK73HB1J473J	MG RESISTOR	47kΩ 1/16W J	1	
R711		RK73HB1J473J	MG RESISTOR	47kΩ 1/16W J	1	
R712		RK73HB1J473J	MG RESISTOR	47kΩ 1/16W J	1	
R715		RK73HB1J101J	MG RESISTOR	100Ω 1/16W J	1	
R718		RK73HB1J472J	MG RESISTOR	4.7kΩ 1/16W J	1	
R721		RK73HB1J101J	MG RESISTOR	100Ω 1/16W J	1	
R722		RK73HB1J101J	MG RESISTOR	100Ω 1/16W J	1	
R723		RK73HB1J101J	MG RESISTOR	100Ω 1/16W J	1	
R725		RK73HB1J101J	MG RESISTOR	100Ω 1/16W J	1	
R726		RK73HB1J103J	MG RESISTOR	10kΩ 1/16W J	1	
R728		RK73HB1J000J	MG RESISTOR	0Ω 1/16W J	1	
R730		RK73HB1J222J	MG RESISTOR	2.2kΩ 1/16W J	1	
R731		RK73HB1J101J	MG RESISTOR	100Ω 1/16W J	1	
R733		RK73HB1J103J	MG RESISTOR	10kΩ 1/16W J	1	
R734		RK73HB1J101J	MG RESISTOR	100Ω 1/16W J	1	
R735		RK73HB1J273J	MG RESISTOR	27kΩ 1/16W J	1	
R737		RK73HB1J101J	MG RESISTOR	100Ω 1/16W J	1	
R739		RK73HB1J102J	MG RESISTOR	1kΩ 1/16W J	1	
R740		RK73HB1J472J	MG RESISTOR	4.7kΩ 1/16W J	1	
R741		RK73HB1J000J	MG RESISTOR	0Ω 1/16W J	1	
R742		RK73HB1J101J	MG RESISTOR	100Ω 1/16W J	1	
R743		RK73HB1J222J	MG RESISTOR	2.2kΩ 1/16W J	1	
R744		RK73HB1J101J	MG RESISTOR	100Ω 1/16W J	1	
R746		RK73HB1J000J	MG RESISTOR	0Ω 1/16W J	1	
R748		RK73HB1J101J	MG RESISTOR	100Ω 1/16W J	1	
R750		RK73HB1J101J	MG RESISTOR	100Ω 1/16W J	1	
R752		RK73HB1J101J	MG RESISTOR	100Ω 1/16W J	1	
R753		RK73HB1J273J	MG RESISTOR	27kΩ 1/16W J	1	
R755		RK73HB1J103J	MG RESISTOR	10kΩ 1/16W J	1	
R756		RK73HB1J101J	MG RESISTOR	100Ω 1/16W J	1	
R760		RK73HB1J000J	MG RESISTOR	0Ω 1/16W J	1	
R761		RK73HB1J000J	MG RESISTOR	0Ω 1/16W J	1	
R762		RK73HB1J330J	MG RESISTOR	33Ω 1/16W J	1	
R768		RK73HB1J393J	MG RESISTOR	39kΩ 1/16W J	1	E1
R768		RK73HB1J333J	MG RESISTOR	33kΩ 1/16W J	1	X1
R769		RK73HB1J822J	MG RESISTOR	8.2kΩ 1/16W J	1	E1
R769		RK73HB1J153J	MG RESISTOR	15kΩ 1/16W J	1	X1
R769		RK73HB1J473J	MG RESISTOR	47kΩ 1/16W J	1	K0

MODEL	MARK	MODEL	MARK	MODEL	MARK
DPX-7100DAB	E1	DPX-7100DAB	X1	DPX793BH	K0

Safe	Symbol No.	Parts No.	Parts Name	Description	QTY	Local
	R770	RK73HB1J333J	MG RESISTOR	33kΩ 1/16W J	1	E1
	R771	RK73HB1J153J	MG RESISTOR	15kΩ 1/16W J	1	E1
	R771	RK73HB1J473J	MG RESISTOR	47kΩ 1/16W J	1	X1,K0
	R772	RK73HB1J101J	MG RESISTOR	100Ω 1/16W J	1	
	R777	RK73HB1J101J	MG RESISTOR	100Ω 1/16W J	1	
	R778	RK73HB1J101J	MG RESISTOR	100Ω 1/16W J	1	
	R780	RK73HB1J100J	MG RESISTOR	10Ω 1/16W J	1	K0
	R782	RK73HB1J330J	MG RESISTOR	33Ω 1/16W J	1	
	R785	RK73HB1J330J	MG RESISTOR	33Ω 1/16W J	1	
	R787	RK73HB1J100J	MG RESISTOR	10Ω 1/16W J	1	K0
	R788	RK73HH1J823D	MG RESISTOR	82kΩ 1/16W D	1	
	R789	RK73HH1J393D	MG RESISTOR	39kΩ 1/16W D	1	
	R790	RK73HB1J100J	MG RESISTOR	10Ω 1/16W J	1	
	R792	RK73HB1J100J	MG RESISTOR	10Ω 1/16W J	1	
	R794	RK73HB1J101J	MG RESISTOR	100Ω 1/16W J	1	
	R795	RK73HB1J101J	MG RESISTOR	100Ω 1/16W J	1	
	R796	RK73HH1J302D	MG RESISTOR	3kΩ 1/16W D	1	
	R797	RK73HB1J222J	MG RESISTOR	2.2kΩ 1/16W J	1	
	R798	RK73HB1J222J	MG RESISTOR	2.2kΩ 1/16W J	1	
	R799	RK73HB1J105J	MG RESISTOR	1MΩ 1/16W J	1	
	R800	RK73HB1J000J	MG RESISTOR	0Ω 1/16W J	1	
	R801	RK73HB1J102J	MG RESISTOR	1kΩ 1/16W J	1	
	R802	RK73HB1J473J	MG RESISTOR	47kΩ 1/16W J	1	E1,X1
	R803	RK73HB1J225J	MG RESISTOR	2.2MΩ 1/16W J	1	K0
	R804	RK73HB1J473J	MG RESISTOR	47kΩ 1/16W J	1	
	R805	RK73HB1J102J	MG RESISTOR	1kΩ 1/16W J	1	
	R806	RK73HB1J102J	MG RESISTOR	1kΩ 1/16W J	1	
	R808	RK73HB1J680J	MG RESISTOR	68Ω 1/16W J	1	
	R809	RK73HB1J102J	MG RESISTOR	1kΩ 1/16W J	1	
	R811	RK73HB1J101J	MG RESISTOR	100Ω 1/16W J	1	
	R813	RK73HB1J000J	MG RESISTOR	0Ω 1/16W J	1	
	R814	RK73HB1J220J	MG RESISTOR	22Ω 1/16W J	1	
	R815	RK73HB1J220J	MG RESISTOR	22Ω 1/16W J	1	
	R817	RK73HB1J222J	MG RESISTOR	2.2kΩ 1/16W J	1	K0
	R819	RK73HB1J220J	MG RESISTOR	22Ω 1/16W J	1	
	R820	RK73HB1J473J	MG RESISTOR	47kΩ 1/16W J	1	
	R823	RK73HB1J470J	MG RESISTOR	47Ω 1/16W J	1	
	R824	RK73HB1J473J	MG RESISTOR	47kΩ 1/16W J	1	
	R827	RK73HB1J103J	MG RESISTOR	10kΩ 1/16W J	1	
	R828	RK73HB1J103J	MG RESISTOR	10kΩ 1/16W J	1	
	R829	RK73HB1J220J	MG RESISTOR	22Ω 1/16W J	1	
	R831	RK73HB1J222J	MG RESISTOR	2.2kΩ 1/16W J	1	
	R832	RK73EB2E000J	MG RESISTOR	0Ω 1/4W J	1	K0
	R833	RK73HB1J220J	MG RESISTOR	22Ω 1/16W J	1	
	R834	RK73HB1J220J	MG RESISTOR	22Ω 1/16W J	1	
	R835	RK73HB1J220J	MG RESISTOR	22Ω 1/16W J	1	
	R836	RK73HB1J330J	MG RESISTOR	33Ω 1/16W J	1	
	R844	RK73HB1J102J	MG RESISTOR	1kΩ 1/16W J	1	
	R846	RK73HB1J101J	MG RESISTOR	100Ω 1/16W J	1	
	R860	RK73HB1J222J	MG RESISTOR	2.2kΩ 1/16W J	1	
	R861	RK73GB2A562J	MG RESISTOR	5.6kΩ 1/10W J	1	
	R870	RK73HB1J562J	MG RESISTOR	5.6kΩ 1/16W J	1	
	R881	RK73HH1J243D	MG RESISTOR	24kΩ 1/16W D	1	
	R882	RK73HH1J123D	MG RESISTOR	12kΩ 1/16W D	1	
	R883	RK73GB2A103J	MG RESISTOR	10kΩ 1/10W J	1	K0
	R889	RK73HB1J332J	MG RESISTOR	3.3kΩ 1/16W J	1	
	R891	RK73HH1J123D	MG RESISTOR	12kΩ 1/16W D	1	
	R893	RK73HB1J222J	MG RESISTOR	2.2kΩ 1/16W J	1	
	R895	RK73HH1J123D	MG RESISTOR	12kΩ 1/16W D	1	K0
	R897	RK73HB1J222J	MG RESISTOR	2.2kΩ 1/16W J	1	K0
	R905	RK73HB1J101J	MG RESISTOR	100Ω 1/16W J	1	
	R922	RK73GB2A000J	MG RESISTOR	0Ω 1/10W J	1	
	R940	RK73HB1J102J	MG RESISTOR	1kΩ 1/16W J	1	
	R943	RK73HB1J102J	MG RESISTOR	1kΩ 1/16W J	1	
	R960	RK73HB1J103J	MG RESISTOR	10kΩ 1/16W J	1	
	R961	RK73HB1J151J	MG RESISTOR	150Ω 1/16W J	1	
	R965	RK73GB2A000J	MG RESISTOR	0Ω 1/10W J	1	
	R980	RK73EB2E682J	MG RESISTOR	6.8kΩ 1/4W J	1	
	R981	RK73EB2E682J	MG RESISTOR	6.8kΩ 1/4W J	1	
	R982	RK73EB2E473J	MG RESISTOR	47kΩ 1/4W J	1	
	R984	RK73EB2E473J	MG RESISTOR	47kΩ 1/4W J	1	
	R1034	RK73HB1J102J	MG RESISTOR	1kΩ 1/16W J	1	
	R1070	RK73HB1J102J	MG RESISTOR	1kΩ 1/16W J	1	
	R1086	RK73HB1J102J	MG RESISTOR	1kΩ 1/16W J	1	
	R1087	RK73HB1J102J	MG RESISTOR	1kΩ 1/16W J	1	
	R1300	RK73HB1J562J	MG RESISTOR	5.6kΩ 1/16W J	1	
	R1302	RK73HB1J220J	MG RESISTOR	22Ω 1/16W J	1	E1,X1
	R1303	RK73HB1J220J	MG RESISTOR	22Ω 1/16W J	1	E1,X1
	R1900	RK73HB1J330J	MG RESISTOR	33Ω 1/16W J	1	
	R1901	RK73HB1J330J	MG RESISTOR	33Ω 1/16W J	1	
	R1902	RK73HB1J330J	MG RESISTOR	33Ω 1/16W J	1	
	R1903	RK73HB1J330J	MG RESISTOR	33Ω 1/16W J	1	
	R1904	RK73HB1J330J	MG RESISTOR	33Ω 1/16W J	1	
	R1905	RK73HB1J330J	MG RESISTOR	33Ω 1/16W J	1	
	R1906	RK73HB1J330J	MG RESISTOR	33Ω 1/16W J	1	
	R1907	RK73HB1J330J	MG RESISTOR	33Ω 1/16W J	1	
	R1908	RK73HB1J330J	MG RESISTOR	33Ω 1/16W J	1	
	R1909	RK73HB1J330J	MG RESISTOR	33Ω 1/16W J	1	
	R1910	RK73HB1J330J	MG RESISTOR	33Ω 1/16W J	1	
	R1911	RK73HB1J330J	MG RESISTOR	33Ω 1/16W J	1	
	R1912	RK73HB1J330J	MG RESISTOR	33Ω 1/16W J	1	
	R1913	RK73HB1J330J	MG RESISTOR	33Ω 1/16W J	1	

MODEL	MARK	MODEL	MARK	MODEL	MARK
DPX-7100DAB	E1	DPX-7100DAB	X1	DPX793BH	K0

Safe	Symbol No.	Parts No.	Parts Name	Description	QTY	Local
R1914		RK73HB1J330J	MG RESISTOR	33Ω 1/16W J	1	
R1915		RK73HB1J330J	MG RESISTOR	33Ω 1/16W J	1	
R1920		RK73HB1J5R1J	MG RESISTOR	5.1Ω 1/16W J	1	
R1921		RK73HB1J820J	MG RESISTOR	82Ω 1/16W J	1	
R1932		RK73GH2A470D	MG RESISTOR	47Ω 1/10W D	1	
R2000		RK73HB1J000J	MG RESISTOR	0Ω 1/16W J	1	
R2001		RK73HB1J000J	MG RESISTOR	0Ω 1/16W J	1	
R2002		RK73HB1J101J	MG RESISTOR	100Ω 1/16W J	1	
R2003		RK73HB1J220J	MG RESISTOR	22Ω 1/16W J	1	
R2004		RK73HB1J220J	MG RESISTOR	22Ω 1/16W J	1	
R2005		RK73EB2E2R2J	MG RESISTOR	2.2Ω 1/4W J	1	
R2006		RK73HB1J101J	MG RESISTOR	100Ω 1/16W J	1	
R2007		RK73HB1J000J	MG RESISTOR	0Ω 1/16W J	1	K0
R2008		RK73HB1J101J	MG RESISTOR	100Ω 1/16W J	1	
R2009		RK73HB1J101J	MG RESISTOR	100Ω 1/16W J	1	
R2010		RK73HB1J101J	MG RESISTOR	100Ω 1/16W J	1	
R2011		RK73HB1J101J	MG RESISTOR	100Ω 1/16W J	1	
R2012		RK73HB1J220J	MG RESISTOR	22Ω 1/16W J	1	
R2013		RK73HB1J101J	MG RESISTOR	100Ω 1/16W J	1	
R2014		RK73HB1J103J	MG RESISTOR	10kΩ 1/16W J	1	
R2016		RK73HB1J101J	MG RESISTOR	100Ω 1/16W J	1	
R2017		RK73HB1J101J	MG RESISTOR	100Ω 1/16W J	1	
R2018		RK73HB1J101J	MG RESISTOR	100Ω 1/16W J	1	
R2019		RK73HB1J220J	MG RESISTOR	22Ω 1/16W J	1	
R2020		RK73HB1J000J	MG RESISTOR	0Ω 1/16W J	1	E1,X1
R2021		RK73HB1J220J	MG RESISTOR	22Ω 1/16W J	1	
R2023		RK73HB1J220J	MG RESISTOR	22Ω 1/16W J	1	
R2024		RK73HH1J100D	MG RESISTOR	10Ω 1/16W D	1	
R2025		RK73HB1J000J	MG RESISTOR	0Ω 1/16W J	1	
R2026		RK73HB1J000J	MG RESISTOR	0Ω 1/16W J	1	
R2029		RK73HB1J101J	MG RESISTOR	100Ω 1/16W J	1	
R2030		RK73HB1J000J	MG RESISTOR	0Ω 1/16W J	1	E1,X1
R2033		RK73HB1J222J	MG RESISTOR	2.2kΩ 1/16W J	1	
R2034		RK73HB1J222J	MG RESISTOR	2.2kΩ 1/16W J	1	
R9001		RK73HB1J000J	MG RESISTOR	0Ω 1/16W J	1	
R9003		RK73HB1J000J	MG RESISTOR	0Ω 1/16W J	1	
R9004		RK73HB1J000J	MG RESISTOR	0Ω 1/16W J	1	
R9005		RK73HB1J000J	MG RESISTOR	0Ω 1/16W J	1	
R9006		RK73GB2A000J	MG RESISTOR	0Ω 1/10W J	1	
R9007		RK73HB1J000J	MG RESISTOR	0Ω 1/16W J	1	
R9014		RK73HB1J000J	MG RESISTOR	0Ω 1/16W J	1	
R9015		RK73GB2A471J	MG RESISTOR	470Ω 1/10W J	1	
R9016		RK73GB2A471J	MG RESISTOR	470Ω 1/10W J	1	
R9017		RK73GB2A910J	MG RESISTOR	91Ω 1/10W J	1	
R9018		RK73GB2A910J	MG RESISTOR	91Ω 1/10W J	1	
R9019		RK73HB1J101J	MG RESISTOR	100Ω 1/16W J	1	
R9021		RK73HB1J101J	MG RESISTOR	100Ω 1/16W J	1	K0
R9026		RK73HB1J273J	MG RESISTOR	27kΩ 1/16W J	1	
R9028		RK73GB2A272J	MG RESISTOR	2.7kΩ 1/10W J	1	K0
R9029		RK73HB1J272J	MG RESISTOR	2.7kΩ 1/16W J	1	
R9030		RK73HB1J101J	MG RESISTOR	100Ω 1/16W J	1	
R9031		RK73HB1J101J	MG RESISTOR	100Ω 1/16W J	1	
R9032		RK73HB1J000J	MG RESISTOR	0Ω 1/16W J	1	
R9033		RK73HB1J000J	MG RESISTOR	0Ω 1/16W J	1	E1,X1
RA470		RK74GB1J100J	NET RESISTOR	10Ω 1/16W J	1	K0
L165		LR73Z0AD100M	CHIP INDUCTOR	10uH	1	K0
L411		LR73Z0AD4R7M	CHIP INDUCTOR	4.7uH	1	
L500		LR79Z0JM100M	CHIP INDUCTOR		1	K0
L501		LK73Z0CA4R7M	M.CHIP INDUCTOR		1	K0
L540		LK73Z0CA4R7M	M.CHIP INDUCTOR		1	
L541		LR79Z0JM100M	CHIP INDUCTOR		1	
L560		LK73Z0CA4R7M	M.CHIP INDUCTOR		1	
L561		LR79Z0JM100M	CHIP INDUCTOR		1	
L608		LB73G0BA-005	CHIP FERRITE		1	
L609		LB73G0AM-004	CHIP FERRITE		1	
L610		LR73Z0AD4R7M	CHIP INDUCTOR	4.7uH	1	
L701		LR73Z0AD4R7M	CHIP INDUCTOR	4.7uH	1	
L706		LB73H0AY-004	CHIP FERRITE		1	K0
L707		LB73H0AY-004	CHIP FERRITE		1	K0
L708		LB73H0CT-002	CHIP FERRITE		1	
L709		LB73H0AY-004	CHIP FERRITE		1	
L710		RK73HB1J000J	MG RESISTOR	0Ω 1/16W J	1	
L711		RK73HB1J000J	MG RESISTOR	0Ω 1/16W J	1	
L712		RK73HB1J000J	MG RESISTOR	0Ω 1/16W J	1	
L821		LB73G0ED-002	CHIP FERRITE		1	
L830		LB73G0ED-002	CHIP FERRITE		1	
L891		L7K-0030-00	FILTER		1	K0
L942		LR73Z0AD1R0M	CHIP INDUCTOR	1uH	1	
L960		LR73Z0AD4R7M	CHIP INDUCTOR	4.7uH	1	
L961		LR73Z0AD4R7M	CHIP INDUCTOR	4.7uH	1	
L990		L3D-0043-00	CHOKE COIL		1	
L1007		LB73G0FK-001	CHIP FERRITE		1	K0
L1900		L7K-0056-00	LC FILTER		1	
L2005		LR73Z0AD4R7M	CHIP INDUCTOR	4.7uH	1	
L2010		RK73HB1J000J	MG RESISTOR	0Ω 1/16W J	1	
L9001		RK73GB2A000J	MG RESISTOR	0Ω 1/10W J	1	
L9002		RK73GB2A000J	MG RESISTOR	0Ω 1/10W J	1	
A1303		W0C-0167-00	CIRCUIT MODULE		1	E1,X1
A1303		W0C-0168-10	CIRCUIT MODULE		1	K0
CN220		EA710AP-2002A	W TO B CONNE		1	K0
CN701		EB150AA-1020A	B TO B CONNE		1	
CN891		QGA2001C1-05	W TO B CONNE	W-B (1-5)	1	K0
CN990		E5J-0139-00	R.RECEPTACLE		1	

MODEL	MARK	MODEL	MARK	MODEL	MARK
DPX-7100DAB	E1	DPX-7100DAB	X1	DPX793BH	K0

Safe	Symbol No.	Parts No.	Parts Name	Description	QTY	Local
	CN3000	EC720AE-1026B	FFC FPC CONNE		1	
	E2	QZW0010-001	STYLE PIN		1	K0
△	F1	F53-0513-08	PATTERN FUSE	4A	1	
△	F2	F53-0513-08	PATTERN FUSE	4A	1	
△	F540	FZA10BH-2R5	FUSE (CC)		1	
△	F560	FZA10BH-1R25	FUSE (CC)		1	
△	F625	FZA10BF-1R0	FUSE (CC)	1A	1	
	F901	FZB10BT-100	BLADE FUSE		1	X1
	J220	E1B-0013-00	3.5D PHONE JACK		1	E1,X1
	J321	E6D-0016-00	PIN JACK		1	
	J470	QNZ0907-001	CIR CONNECTOR		1	K0
	J600	QNB0356-001	ANT TERMINAL		1	K0
	J602	E3A-0039-00	ANTENNA CABLE		1	E1,X1
	P3	E0B-0002-00	SOCKET		1	E1,X1
	VA601	F0K-0265-00	SURGE ABSORBER		1	K0
	VA602	NAF0024-001X	ESD SUPPRESSOR		1	E1,X1
	VA703	F0K-0010-00	SURGE ABSORBER		1	
	VA705	F0K-0010-00	SURGE ABSORBER		1	
	VA892	F0K-0010-00	SURGE ABSORBER		1	K0
	VA893	F0K-0010-00	SURGE ABSORBER		1	K0
	X701	L7J-0138-00	QUARTZ CRYSTAL		1	
	X702	L7J-0123-00	QUARTZ CRYSTAL		1	
SWITCH PWB ASSY (XJ6-114x-0x) <XJ6>						
	IC1	BU97550KV-M	MOS IC		1	
	IC2	PCA9624PW	MOS IC		1	
	IC3	AS431AN-G1	ANALOG IC		1	
	IC90	SIRD630B6T	IR DETECT UNIT		1	K0
	Q90	KRA302E-P	DIGI TRANSISTOR		1	K0
	Q91	KRC402E-P	DIGI TRANSISTOR		1	K0
	D2	SM5818PL	SCHOTTKY DIODE		1	
	D3	SM5818PL	SCHOTTKY DIODE		1	
	D12	SML-D12V8WT	LED		1	
	D13	SML-D12V8WT	LED		1	
	D20	SML-D12V8WT	LED		1	
	D21	LRTBGVTG-U//0	LED		1	
	D22	LRTBGVTG-U//0	LED		1	
	D23	LRTBGVTG-U//0	LED		1	
	D24	LRTBGVTG-U//0	LED		1	
	D31	LRTBGVTG-U//0	LED		1	
	D32	LRTBGVTG-U//0	LED		1	
	D48	LRTBGVTG-U//0	LED		1	
	D49	LRTBGVTG-U//0	LED		1	
	D50	LRTBGVTG-U//0	LED		1	
	D51	LRTBGVTG-U//0	LED		1	
	D80	RSB6.8SM	ZENER DIODE		1	
	D81	RSB6.8SM	ZENER DIODE		1	
	D82	RSB6.8SM	ZENER DIODE		1	
	D83	RSB6.8SM	ZENER DIODE		1	
	C1	CK73GXR1C105K	C CAPACITOR	1uF 16V K	1	
	C6	CK73EXR1E106K	C CAPACITOR	10uF 25V K	1	
	C7	CK73EXR1E106K	C CAPACITOR	10uF 25V K	1	
	C8	CK73EXR1E106K	C CAPACITOR	10uF 25V K	1	
	C9	CK73EXR1E106K	C CAPACITOR	10uF 25V K	1	
	C60	CK73GBB1H102K	C CAPACITOR	1000pF 50V K	1	
	C61	CK73GBB1H102K	C CAPACITOR	1000pF 50V K	1	
	C80	CC73GCH1H270J	C CAPACITOR	27pF 50V J	1	
	C81	CC73GCH1H270J	C CAPACITOR	27pF 50V J	1	
	C82	CK73EXR1E106K	C CAPACITOR	10uF 25V K	1	
	C83	CK73GBB1H471K	C CAPACITOR	470pF 50V K	1	
	C84	CK73GBB1H472K	C CAPACITOR	4700pF 50V K	1	
	C85	CK73GBB1H471K	C CAPACITOR	470pF 50V K	1	
	C86	CK73GBB1H472K	C CAPACITOR	4700pF 50V K	1	
	C87	CK73GXR1H104K	C CAPACITOR	0.1uF 50V K	1	
	C88	CK73GXR1H104K	C CAPACITOR	0.1uF 50V K	1	
	C91	CK73GXR1C105K	C CAPACITOR	1uF 16V K	1	K0
	R1	RK73GH2A473D	MG RESISTOR	47kΩ 1/10W D	1	
	R2	RK73GH2A473D	MG RESISTOR	47kΩ 1/10W D	1	
	R3	RK73GB2A471J	MG RESISTOR	470Ω 1/10W J	1	
	R4	RK73GB2A101J	MG RESISTOR	100Ω 1/10W J	1	
	R6	RK73EB2E151J	MG RESISTOR	150Ω 1/4W J	1	
	R10	RK73FB2B152J	MG RESISTOR	1.5kΩ 1/8W J	1	
	R12	RK73GB2A152J	MG RESISTOR	1.5kΩ 1/10W J	1	
	R13	RK73GB2A152J	MG RESISTOR	1.5kΩ 1/10W J	1	
	R14	RK73GB2A124J	MG RESISTOR	120kΩ 1/10W J	1	
	R18	RK73GB2A101J	MG RESISTOR	100Ω 1/10W J	1	
	R21	RK73FB2B681J	MG RESISTOR	680Ω 1/8W J	1	
	R22	RK73FB2B271J	MG RESISTOR	270Ω 1/8W J	1	
	R23	RK73FB2B331J	MG RESISTOR	330Ω 1/8W J	1	
	R25	RK73FB2B681J	MG RESISTOR	680Ω 1/8W J	1	
	R26	RK73FB2B271J	MG RESISTOR	270Ω 1/8W J	1	
	R27	RK73FB2B331J	MG RESISTOR	330Ω 1/8W J	1	
	R37	RK73FB2B681J	MG RESISTOR	680Ω 1/8W J	1	
	R38	RK73FB2B271J	MG RESISTOR	270Ω 1/8W J	1	
	R39	RK73FB2B331J	MG RESISTOR	330Ω 1/8W J	1	
	R41	RK73FB2B471J	MG RESISTOR	470Ω 1/8W J	1	
	R42	RK73FB2B271J	MG RESISTOR	270Ω 1/8W J	1	
	R43	RK73FB2B331J	MG RESISTOR	330Ω 1/8W J	1	
	R45	RK73FB2B471J	MG RESISTOR	470Ω 1/8W J	1	
	R46	RK73FB2B271J	MG RESISTOR	270Ω 1/8W J	1	
	R47	RK73FB2B331J	MG RESISTOR	330Ω 1/8W J	1	
	R52	RK73GB2A101J	MG RESISTOR	100Ω 1/10W J	1	
	R53	RK73GB2A101J	MG RESISTOR	100Ω 1/10W J	1	

MODEL	MARK	MODEL	MARK	MODEL	MARK
DPX-7100DAB	E1	DPX-7100DAB	X1	DPX793BH	K0

Safe	Symbol No.	Parts No.	Parts Name	Description	QTY	Local
	R60	RK73FB2B101J	MG RESISTOR	100Ω 1/8W J	1	
	R61	RK73FB2B101J	MG RESISTOR	100Ω 1/8W J	1	
	R62	RK73FB2B4R7J	MG RESISTOR	4.7Ω 1/8W J	1	
	R80	RK73EB2E221J	MG RESISTOR	220Ω 1/4W J	1	
	R1001	RK73GB2A000J	MG RESISTOR	0Ω 1/10W J	1	
	RA1	RK74GB1J101J	NET RESISTOR	100Ω 1/16W J	1	
	RA2	RK74GB1J101J	NET RESISTOR	100Ω 1/16W J	1	
	RA3	RK74GB1J101J	NET RESISTOR	100Ω 1/16W J	1	
	L2	LR73Z0AD100M	CHIP INDUCTOR	10uH	1	
	L3	LB73G0BA-005	CHIP FERRITE		1	
	L4	LK73G0BE4R7K	M.CHIP INDUCTOR		1	
	CN1	QGB1004J2-20X	B TO B CONNE	B-B (1-20)	1	
	ED1	B3H-0096-00	LCD		1	X1
	FL80	L7K-0030-00	FILTER		1	
	J60	QNS0320-001	3.5 JACK		1	
	J80	E5J-0069-00	USB TERMINAL		1	
	S1	S7A-0001-00	TACTILE PUSH SW		1	
	S2	S7A-0001-00	TACTILE PUSH SW		1	
	S3	S7A-0001-00	TACTILE PUSH SW		1	
	S4	S7A-0001-00	TACTILE PUSH SW		1	
	S5	S7A-0001-00	TACTILE PUSH SW		1	
	S6	S7A-0001-00	TACTILE PUSH SW		1	
	S7	S7A-0001-00	TACTILE PUSH SW		1	
	S8	S7A-0001-00	TACTILE PUSH SW		1	
	S9	S7A-0001-00	TACTILE PUSH SW		1	
	S10	S7A-0001-00	TACTILE PUSH SW		1	
	S11	S7A-0001-00	TACTILE PUSH SW		1	
	S12	S7A-0001-00	TACTILE PUSH SW		1	
	S13	S7A-0001-00	TACTILE PUSH SW		1	
	S14	S7A-0001-00	TACTILE PUSH SW		1	
	S15	S7A-0001-00	TACTILE PUSH SW		1	
	S16	S7A-0001-00	TACTILE PUSH SW		1	
	S18	S7A-0001-00	TACTILE PUSH SW		1	
	S20	T9K-0007-00	ROTARY ENCODER		1	
DAB TUNER PWB ASSY (XJM-013x-x1) <XJM>						
	IC1	SI4763-A42-GM	MOS IC		1	E1,X1
	IC2	MTV301CQ	MOS IC		1	E1,X1
	IC3	GL3511SB169	MOS IC		1	E1,X1
	IC4	W3F-0021-00	ROM IC		1	E1,X1
	IC5	XC6213B122N-G	MOS IC		1	E1,X1
	IC6	XC6213B182N-G	MOS IC		1	E1,X1
	IC7	XC6213B182N-G	MOS IC		1	E1,X1
	C1	CC73HCH1H270J	C CAPACITOR	27pF 50V J	1	E1,X1
	C2	CC73HCH1H390J	C CAPACITOR	39pF 50V J	1	E1,X1
	C3	CK73HBB1H102K	C CAPACITOR	1000pF 50V K	1	E1,X1
	C4	CK73HBB1H222K	C CAPACITOR	2200pF 50V K	1	E1,X1
	C5	CK73HBB1H103K	C CAPACITOR	0.01uF 50V K	1	E1,X1
	C6	CC73HCH1H010C	C CAPACITOR	1pF 50V C	1	E1,X1
	C7	CC73HCH1H050C	C CAPACITOR	5pF 50V C	1	E1,X1
	C10	CK73HBB1C104K	C CAPACITOR	0.1uF 16V K	1	E1,X1
	C13	CK73HBB1H102K	C CAPACITOR	1000pF 50V K	1	E1,X1
	C14	CK73HBB1H222K	C CAPACITOR	2200pF 50V K	1	E1,X1
	C15	CK73FXR1C106K	C CAPACITOR	10uF 16V K	1	E1,X1
	C16	CK73HBB1H222K	C CAPACITOR	2200pF 50V K	1	E1,X1
	C17	CK73HBB1H222K	C CAPACITOR	2200pF 50V K	1	E1,X1
	C18	CC73HCH1H101J	C CAPACITOR	100pF 50V J	1	E1,X1
	C19	CK73HBB1H222K	C CAPACITOR	2200pF 50V K	1	E1,X1
	C20	CK73HBB1C104K	C CAPACITOR	0.1uF 16V K	1	E1,X1
	C21	CK73GXR1C105K	C CAPACITOR	1uF 16V K	1	E1,X1
	C22	CK73GXR1C105K	C CAPACITOR	1uF 16V K	1	E1,X1
	C23	CK73HBB1H682K	C CAPACITOR	6800pF 50V K	1	E1,X1
	C24	CK73HBB1H682K	C CAPACITOR	6800pF 50V K	1	E1,X1
	C25	CK73FXR1C106K	C CAPACITOR	10uF 16V K	1	E1,X1
	C26	CC73HCH1H150J	C CAPACITOR	15pF 50V J	1	E1,X1
	C27	CC73HCH1H100D	C CAPACITOR	10pF 50V D	1	E1,X1
	C28	CC73HCH1H180J	C CAPACITOR	18pF 50V J	1	E1,X1
	C29	CK73HBB1C104K	C CAPACITOR	0.1uF 16V K	1	E1,X1
	C30	CK73HBB1C104K	C CAPACITOR	0.1uF 16V K	1	E1,X1
	C31	CK73HBB1C104K	C CAPACITOR	0.1uF 16V K	1	E1,X1
	C32	CK73HBB1C104K	C CAPACITOR	0.1uF 16V K	1	E1,X1
	C33	CK73HBB1C104K	C CAPACITOR	0.1uF 16V K	1	E1,X1
	C36	CC73HCH1H060D	C CAPACITOR	6pF 50V D	1	E1,X1
	C37	CC73HCH1H060D	C CAPACITOR	6pF 50V D	1	E1,X1
	C38	CK73HBB1C104K	C CAPACITOR	0.1uF 16V K	1	E1,X1
	C39	CK73FXR1C106K	C CAPACITOR	10uF 16V K	1	E1,X1
	C41	CK73HBB1C104K	C CAPACITOR	0.1uF 16V K	1	E1,X1
	C42	CC73HCH1H080D	C CAPACITOR	8pF 50V D	1	E1,X1
	C43	CC73HCH1H030C	C CAPACITOR	3pF 50V C	1	E1,X1
	C44	CC73HCH1H330J	C CAPACITOR	33pF 50V J	1	E1,X1
	C45	CK73HBB1C104K	C CAPACITOR	0.1uF 16V K	1	E1,X1
	C46	CC73HCH1H680J	C CAPACITOR	68pF 50V J	1	E1,X1
	C47	CK73HBB1H102K	C CAPACITOR	1000pF 50V K	1	E1,X1
	C48	CK73HBB1C104K	C CAPACITOR	0.1uF 16V K	1	E1,X1
	C49	CK73HBB1C104K	C CAPACITOR	0.1uF 16V K	1	E1,X1
	C50	CK73HBB1C104K	C CAPACITOR	0.1uF 16V K	1	E1,X1
	C51	CK73HBB1C104K	C CAPACITOR	0.1uF 16V K	1	E1,X1
	C52	CK73HBB1C104K	C CAPACITOR	0.1uF 16V K	1	E1,X1
	C53	CK73HBB1C104K	C CAPACITOR	0.1uF 16V K	1	E1,X1
	C54	CK73HBB1C104K	C CAPACITOR	0.1uF 16V K	1	E1,X1
	C55	CK73HBB1C104K	C CAPACITOR	0.1uF 16V K	1	E1,X1
	C56	CK73HBB1C104K	C CAPACITOR	0.1uF 16V K	1	E1,X1
	C57	CK73HBB1C104K	C CAPACITOR	0.1uF 16V K	1	E1,X1

MODEL	MARK	MODEL	MARK	MODEL	MARK
DPX-7100DAB	E1	DPX-7100DAB	X1	DPX793BH	K0

Safe	Symbol No.	Parts No.	Parts Name	Description	QTY	Local
	C58	CK73HBB1C104K	C CAPACITOR	0.1uF 16V K	1	E1,X1
	C59	CK73HBB1C104K	C CAPACITOR	0.1uF 16V K	1	E1,X1
	C60	CK73HBB1C104K	C CAPACITOR	0.1uF 16V K	1	E1,X1
	C61	CK73HBB1C104K	C CAPACITOR	0.1uF 16V K	1	E1,X1
	C62	CK73HBB1C104K	C CAPACITOR	0.1uF 16V K	1	E1,X1
	C63	CK73HBB1C104K	C CAPACITOR	0.1uF 16V K	1	E1,X1
	C64	CK73HBB1C104K	C CAPACITOR	0.1uF 16V K	1	E1,X1
	C65	CK73HBB1C104K	C CAPACITOR	0.1uF 16V K	1	E1,X1
	C66	CK73HBB1C104K	C CAPACITOR	0.1uF 16V K	1	E1,X1
	C67	CK73HBB1C104K	C CAPACITOR	0.1uF 16V K	1	E1,X1
	C68	CK73HBB1C104K	C CAPACITOR	0.1uF 16V K	1	E1,X1
	C69	CK73HBB1C104K	C CAPACITOR	0.1uF 16V K	1	E1,X1
	C70	CK73HBB1C104K	C CAPACITOR	0.1uF 16V K	1	E1,X1
	C71	CK73HBB1C104K	C CAPACITOR	0.1uF 16V K	1	E1,X1
	C72	CK73HBB1C104K	C CAPACITOR	0.1uF 16V K	1	E1,X1
	C73	CK73HBB1C104K	C CAPACITOR	0.1uF 16V K	1	E1,X1
	C74	CK73HBB1C104K	C CAPACITOR	0.1uF 16V K	1	E1,X1
	C75	CK73HBB1H102K	C CAPACITOR	1000pF 50V K	1	E1,X1
	C76	CK73GXR0J475K	C CAPACITOR	4.7uF 6.3V K	1	E1,X1
	C77	CK73FXR1C106K	C CAPACITOR	10uF 16V K	1	E1,X1
	C78	CK73GXR1C225K	C CAPACITOR	2.2uF 16V K	1	E1,X1
	C79	CK73FXR0J226M	C CAPACITOR	22uF 6.3V M	1	E1,X1
	C80	CK73GXR1C225K	C CAPACITOR	2.2uF 16V K	1	E1,X1
	C81	CK73FXR1C106K	C CAPACITOR	10uF 16V K	1	E1,X1
	C82	CC73HCH1H100D	C CAPACITOR	10pF 50V D	1	E1,X1
	C86	CC73HCH1H100D	C CAPACITOR	10pF 50V D	1	E1,X1
	C96	CC73HCH1H221J	C CAPACITOR	220pF 50V J	1	E1,X1
	C97	CC73HCH1H100D	C CAPACITOR	10pF 50V D	1	E1,X1
	R1	RK73HB1J474J	MG RESISTOR	470kΩ 1/16W J	1	E1,X1
	R2	RK73HB1J474J	MG RESISTOR	470kΩ 1/16W J	1	E1,X1
	R3	RK73HB1J471J	MG RESISTOR	470Ω 1/16W J	1	E1
	R3	RK73HB1J101J	MG RESISTOR	100Ω 1/16W J	1	X1
	R5	RK73HB1J000J	MG RESISTOR	0Ω 1/16W J	1	E1,X1
	R6	RK73HB1J240J	MG RESISTOR	24Ω 1/16W J	1	E1,X1
	R13	RK73HB1J470J	MG RESISTOR	47Ω 1/16W J	1	E1,X1
	R14	RK73HB1J470J	MG RESISTOR	47Ω 1/16W J	1	E1,X1
	R15	RK73HB1J470J	MG RESISTOR	47Ω 1/16W J	1	E1,X1
	R16	RK73HB1J103J	MG RESISTOR	10kΩ 1/16W J	1	E1,X1
	R17	RK73HB1J222J	MG RESISTOR	2.2kΩ 1/16W J	1	E1,X1
	R18	RK73HB1J222J	MG RESISTOR	2.2kΩ 1/16W J	1	E1,X1
	R19	RK73HB1J470J	MG RESISTOR	47Ω 1/16W J	1	E1,X1
	R20	RK73HB1J470J	MG RESISTOR	47Ω 1/16W J	1	E1,X1
	R21	RK73HB1J470J	MG RESISTOR	47Ω 1/16W J	1	E1,X1
	R22	RK73HB1J470J	MG RESISTOR	47Ω 1/16W J	1	E1,X1
	R23	RK73HB1J470J	MG RESISTOR	47Ω 1/16W J	1	E1,X1
	R24	RK73HB1J470J	MG RESISTOR	47Ω 1/16W J	1	E1,X1
	R25	RK73HB1J000J	MG RESISTOR	0Ω 1/16W J	1	E1,X1
	R26	RK73HB1J000J	MG RESISTOR	0Ω 1/16W J	1	E1,X1
	R27	RK73HB1J000J	MG RESISTOR	0Ω 1/16W J	1	E1,X1
	R28	RK73HB1J000J	MG RESISTOR	0Ω 1/16W J	1	E1,X1
	R29	RK73HB1J000J	MG RESISTOR	0Ω 1/16W J	1	E1,X1
	R30	RK73HB1J000J	MG RESISTOR	0Ω 1/16W J	1	E1,X1
	R31	RK73HB1J000J	MG RESISTOR	0Ω 1/16W J	1	E1,X1
	R32	RK73HB1J000J	MG RESISTOR	0Ω 1/16W J	1	E1,X1
	R33	RK73HB1J101J	MG RESISTOR	100Ω 1/16W J	1	E1,X1
	R34	RK73HB1J101J	MG RESISTOR	100Ω 1/16W J	1	E1,X1
	R35	RK73HB1J222J	MG RESISTOR	2.2kΩ 1/16W J	1	E1,X1
	R36	RK73HB1J222J	MG RESISTOR	2.2kΩ 1/16W J	1	E1,X1
	R37	RK73HB1J104J	MG RESISTOR	100kΩ 1/16W J	1	E1,X1
	R38	RK73HB1J000J	MG RESISTOR	0Ω 1/16W J	1	E1,X1
	R39	RK73HB1J104J	MG RESISTOR	100kΩ 1/16W J	1	E1,X1
	R40	RK73HB1J104J	MG RESISTOR	100kΩ 1/16W J	1	E1,X1
	R41	RK73HB1J104J	MG RESISTOR	100kΩ 1/16W J	1	E1,X1
	R44	RK73HB1J000J	MG RESISTOR	0Ω 1/16W J	1	E1,X1
	R45	RK73HB1J000J	MG RESISTOR	0Ω 1/16W J	1	E1,X1
	R46	RK73HH1J433D	MG RESISTOR	43kΩ 1/16W D	1	E1,X1
	R47	RK73HH1J433D	MG RESISTOR	43kΩ 1/16W D	1	E1,X1
	R48	RK73HH1J623D	MG RESISTOR	62kΩ 1/16W D	1	E1,X1
	R49	RK73HH1J623D	MG RESISTOR	62kΩ 1/16W D	1	E1,X1
	R50	RK73HB1J101J	MG RESISTOR	100Ω 1/16W J	1	E1,X1
	R51	RK73HB1J101J	MG RESISTOR	100Ω 1/16W J	1	E1,X1
	R52	RK73HB1J104J	MG RESISTOR	100kΩ 1/16W J	1	E1,X1
	R53	RK73HB1J104J	MG RESISTOR	100kΩ 1/16W J	1	E1,X1
	R54	RK73HB1J103J	MG RESISTOR	10kΩ 1/16W J	1	E1,X1
	R55	RK73HB1J104J	MG RESISTOR	100kΩ 1/16W J	1	E1,X1
	R56	RK73HB1J103J	MG RESISTOR	10kΩ 1/16W J	1	E1,X1
	R57	RK73HB1J104J	MG RESISTOR	100kΩ 1/16W J	1	E1,X1
	R58	RK73HB1J104J	MG RESISTOR	100kΩ 1/16W J	1	E1,X1
	R59	RK73HB1J101J	MG RESISTOR	100Ω 1/16W J	1	E1,X1
	R60	RK73HB1J101J	MG RESISTOR	100Ω 1/16W J	1	E1,X1
	R61	RK73HB1J101J	MG RESISTOR	100Ω 1/16W J	1	E1,X1
	R62	RK73HB1J101J	MG RESISTOR	100Ω 1/16W J	1	E1,X1
	R63	RK73HB1J101J	MG RESISTOR	100Ω 1/16W J	1	E1,X1
	R64	RK73HB1J101J	MG RESISTOR	100Ω 1/16W J	1	E1,X1
	R65	RK73HB1J103J	MG RESISTOR	10kΩ 1/16W J	1	E1,X1
	R66	RK73HB1J103J	MG RESISTOR	10kΩ 1/16W J	1	E1,X1
	R67	RK73HB1J103J	MG RESISTOR	10kΩ 1/16W J	1	E1,X1
	R68	RK73HB1J103J	MG RESISTOR	10kΩ 1/16W J	1	E1,X1
	R69	RK73HB1J101J	MG RESISTOR	100Ω 1/16W J	1	E1,X1
	R70	RK73HB1J101J	MG RESISTOR	100Ω 1/16W J	1	E1,X1
	R71	RK73HB1J101J	MG RESISTOR	100Ω 1/16W J	1	E1,X1
	R72	RK73HB1J101J	MG RESISTOR	100Ω 1/16W J	1	E1,X1

MODEL	MARK	MODEL	MARK	MODEL	MARK
DPX-7100DAB	E1	DPX-7100DAB	X1	DPX793BH	K0

Safe	Symbol No.	Parts No.	Parts Name	Description	QTY	Local
	R73	RK73HB1J101J	MG RESISTOR	100Ω 1/16W J	1	E1,X1
	R74	RK73HB1J101J	MG RESISTOR	100Ω 1/16W J	1	E1,X1
	R79	RK73HB1J103J	MG RESISTOR	10kΩ 1/16W J	1	E1,X1
	R80	RK73HB1J103J	MG RESISTOR	10kΩ 1/16W J	1	E1,X1
	R81	RK73HB1J470J	MG RESISTOR	47Ω 1/16W J	1	E1,X1
	R82	RK73HB1J470J	MG RESISTOR	47Ω 1/16W J	1	E1,X1
	R83	RK73HB1J470J	MG RESISTOR	47Ω 1/16W J	1	E1,X1
	R84	RK73HB1J470J	MG RESISTOR	47Ω 1/16W J	1	E1,X1
	R88	RK73HB1J470J	MG RESISTOR	47Ω 1/16W J	1	E1,X1
	R89	RK73HB1J470J	MG RESISTOR	47Ω 1/16W J	1	E1,X1
	R90	RK73HB1J470J	MG RESISTOR	47Ω 1/16W J	1	E1,X1
	R91	RK73GB2A102J	MG RESISTOR	1kΩ 1/10W J	1	E1,X1
	R92	RK73GB2A102J	MG RESISTOR	1kΩ 1/10W J	1	E1,X1
	R93	RK73GB2A102J	MG RESISTOR	1kΩ 1/10W J	1	E1,X1
	R95	RK73HB1J105J	MG RESISTOR	1MΩ 1/16W J	1	E1,X1
	R96	RK73HB1J000J	MG RESISTOR	0Ω 1/16W J	1	E1,X1
	R97	RK73HB1J000J	MG RESISTOR	0Ω 1/16W J	1	E1,X1
	R98	RK73HB1J000J	MG RESISTOR	0Ω 1/16W J	1	E1,X1
	R99	RK73HB1J000J	MG RESISTOR	0Ω 1/16W J	1	E1,X1
	R100	RK73HB1J000J	MG RESISTOR	0Ω 1/16W J	1	E1,X1
	R102	RK73HB1J000J	MG RESISTOR	0Ω 1/16W J	1	E1,X1
	R105	RK73GB2A102J	MG RESISTOR	1kΩ 1/10W J	1	E1,X1
	L2	LK73G0BER12K	M.CHIP INDUCTOR		1	E1,X1
	L3	LK73G0BE82NK	M.CHIP INDUCTOR		1	E1,X1
	L4	LK73G0BER12K	M.CHIP INDUCTOR		1	E1,X1
	L5	L1K-0001-00	BALUN TRANS		1	E1,X1
	L6	LK73G0BE1R8K	M.CHIP INDUCTOR		1	E1
	L6	LK73G0BE1R2K	M.CHIP INDUCTOR		1	X1
	L7	LK73G0BER39K	M.CHIP INDUCTOR		1	E1,X1
	L8	LK73G0BE100K	M.CHIP INDUCTOR		1	E1
	L8	LK73G0BE5R6K	M.CHIP INDUCTOR		1	X1
	L10	LK73G0BF33NJ	M.CHIP INDUCTOR		1	E1,X1
	L11	LK73G0BF68NJ	M.CHIP INDUCTOR		1	E1,X1
	L12	LK73G0BFR15J	M.CHIP INDUCTOR		1	E1,X1
	L13	LK73G0BFR15J	M.CHIP INDUCTOR		1	E1,X1
	L14	LK73G0BF3N3S	M.CHIP INDUCTOR		1	E1,X1
	L15	LK73G0BF5N6S	M.CHIP INDUCTOR		1	E1,X1
	L16	LK73G0BF10NJ	M.CHIP INDUCTOR		1	E1,X1
	L17	LK73G0BF10NJ	M.CHIP INDUCTOR		1	E1,X1
	L18	LK73G0BF82NJ	M.CHIP INDUCTOR		1	E1,X1
	L20	LK73G0BFR22J	M.CHIP INDUCTOR		1	E1,X1
	L21	LK73G0BFR22J	M.CHIP INDUCTOR		1	E1,X1
	L22	LB73G0EB-001	CHIP FERRITE		1	E1,X1
	L23	LB73G0EB-001	CHIP FERRITE		1	E1,X1
	L24	LB73G0EB-001	CHIP FERRITE		1	E1,X1
	L26	LB73G0EB-001	CHIP FERRITE		1	E1,X1
	L29	LB73H0CG-001	CHIP FERRITE		1	E1,X1
	L30	LB73H0CG-001	CHIP FERRITE		1	E1,X1
	CN1	EA110AD-2017B	W TO B CONNE		1	E1,X1
	CN2	EA110AD-2007B	W TO B CONNE		1	E1,X1
	J1	QNB0353-001	ANT TERMINAL		1	E1,X1
	TH1	FSMD035-R	P THERMISTOR		1	E1,X1
	VA1	F0K-0014-00	SURGE ABSORBER		1	E1,X1
	X1	L7J-0028-00	QUARTZ CRYSTAL		1	E1,X1
	X2	L7J-0027-00	QUARTZ CRYSTAL		1	E1,X1
<b>HD TUNER PWB ASSY (XJM-0120-11) &lt;XJM&gt;</b>						
	IC1	SI4763-A42-GM	MOS IC		1	K0
	IC2	SI4613-A10-GM	MOS IC		1	K0
	IC3	W25Q16DVSSIG	ROM IC		1	K0
	IC4	XC6213B182N-G	MOS IC		1	K0
	C2	CC73HCH1H101J	C CAPACITOR	100pF 50V J	1	K0
	C3	CK73HBB1H222K	C CAPACITOR	2200pF 50V K	1	K0
	C4	CK73HBB1H222K	C CAPACITOR	2200pF 50V K	1	K0
	C5	CK73HBB1H222K	C CAPACITOR	2200pF 50V K	1	K0
	C6	CK73FXR1C106K	C CAPACITOR	10uF 16V K	1	K0
	C7	CK73GBB1H222K	C CAPACITOR	2200pF 50V K	1	K0
	C8	CK73GBB1H102K	C CAPACITOR	1000pF 50V K	1	K0
	C9	CC73GCH1H390J	C CAPACITOR	39pF 50V J	1	K0
	C10	CC73GCH1H270J	C CAPACITOR	27pF 50V J	1	K0
△	C15	CC73GCH1H010C	C CAPACITOR	1pF 50V C	1	K0
	C16	CC73GCH1H050C	C CAPACITOR	5pF 50V C	1	K0
	C18	CK73GBB1C104K	C CAPACITOR	0.1uF 16V K	1	K0
	C19	CK73GBB1H103K	C CAPACITOR	0.01uF 50V K	1	K0
	C20	CK73FXR1C106K	C CAPACITOR	10uF 16V K	1	K0
	C21	CK73GBB1C104K	C CAPACITOR	0.1uF 16V K	1	K0
	C22	CK73GBB1H102K	C CAPACITOR	1000pF 50V K	1	K0
	C25	CK73GBB1H682K	C CAPACITOR	6800pF 50V K	1	K0
	C26	CK73GBB1H682K	C CAPACITOR	6800pF 50V K	1	K0
	C27	CK73GXR1C105K	C CAPACITOR	1uF 16V K	1	K0
	C28	CK73GXR1C105K	C CAPACITOR	1uF 16V K	1	K0
	C29	CC73HCH1H060D	C CAPACITOR	6pF 50V D	1	K0
	C30	CC73HCH1H060D	C CAPACITOR	6pF 50V D	1	K0
	C32	CK73GXR1C105K	C CAPACITOR	1uF 16V K	1	K0
	C33	CK73GXR1C105K	C CAPACITOR	1uF 16V K	1	K0
	C40	CC73GCH1H020C	C CAPACITOR	2pF 50V C	1	K0
	C101	CC73GCH1H220J	C CAPACITOR	22pF 50V J	1	K0
	C102	CC73GCH1H220J	C CAPACITOR	22pF 50V J	1	K0
	C103	CC73GCH1H220J	C CAPACITOR	22pF 50V J	1	K0
	C120	CC73GCH1H020C	C CAPACITOR	2pF 50V C	1	K0
	C121	CK73HBB1C104K	C CAPACITOR	0.1uF 16V K	1	K0
	C122	CK73GBB1H102K	C CAPACITOR	1000pF 50V K	1	K0
	C123	CC73HCH1H180J	C CAPACITOR	18pF 50V J	1	K0

MODEL	MARK	MODEL	MARK	MODEL	MARK
DPX-7100DAB	E1	DPX-7100DAB	X1	DPX793BH	K0

Safe	Symbol No.	Parts No.	Parts Name	Description	QTY	Local
	C124	CC73HCH1H180J	C CAPACITOR	18pF 50V J	1	K0
	C125	CC73HCH1H180J	C CAPACITOR	18pF 50V J	1	K0
	C127	CK73GBB1C104K	C CAPACITOR	0.1uF 16V K	1	K0
	C128	CC73GCH1H020C	C CAPACITOR	2pF 50V C	1	K0
	C129	CK73HBB1H222K	C CAPACITOR	2200pF 50V K	1	K0
	C131	CC73HCH1H180J	C CAPACITOR	18pF 50V J	1	K0
	C143	CK73HBB1H222K	C CAPACITOR	2200pF 50V K	1	K0
	C144	CK73HBB1H222K	C CAPACITOR	2200pF 50V K	1	K0
	C146	CK73HBB1H222K	C CAPACITOR	2200pF 50V K	1	K0
	R1	RK73GB2A000J	MG RESISTOR	0Ω 1/10W J	1	K0
	R3	RK73GB2A240J	MG RESISTOR	24Ω 1/10W J	1	K0
	R4	RK73GB2A474J	MG RESISTOR	470kΩ 1/10W J	1	K0
	R5	RK73GB2A474J	MG RESISTOR	470kΩ 1/10W J	1	K0
	R10	RK73HB1J222J	MG RESISTOR	2.2kΩ 1/16W J	1	K0
	R11	RK73HB1J222J	MG RESISTOR	2.2kΩ 1/16W J	1	K0
	R12	RK73HB1J103J	MG RESISTOR	10kΩ 1/16W J	1	K0
	R14	RK73GB2A471J	MG RESISTOR	470Ω 1/10W J	1	K0
	R16	RK73HB1J470J	MG RESISTOR	47Ω 1/16W J	1	K0
	R17	RK73HB1J470J	MG RESISTOR	47Ω 1/16W J	1	K0
	R18	RK73HB1J470J	MG RESISTOR	47Ω 1/16W J	1	K0
	R20	RK73GB2A000J	MG RESISTOR	0Ω 1/10W J	1	K0
	R26	RK73HB1J000J	MG RESISTOR	0Ω 1/16W J	1	K0
	R29	RK73GB2A000J	MG RESISTOR	0Ω 1/10W J	1	K0
	R30	RK73GB2A000J	MG RESISTOR	0Ω 1/10W J	1	K0
	R31	RK73GB2A000J	MG RESISTOR	0Ω 1/10W J	1	K0
	R39	RK73GB2A102J	MG RESISTOR	1kΩ 1/10W J	1	K0
	R40	RK73GB2A000J	MG RESISTOR	0Ω 1/10W J	1	K0
	R41	RK73GB2A000J	MG RESISTOR	0Ω 1/10W J	1	K0
	R42	RK73GB2A000J	MG RESISTOR	0Ω 1/10W J	1	K0
	R43	RK73GB2A000J	MG RESISTOR	0Ω 1/10W J	1	K0
	R44	RK73GB2A000J	MG RESISTOR	0Ω 1/10W J	1	K0
	R51	RK73HB1J000J	MG RESISTOR	0Ω 1/16W J	1	K0
	R52	RK73HB1J000J	MG RESISTOR	0Ω 1/16W J	1	K0
	R53	RK73HB1J000J	MG RESISTOR	0Ω 1/16W J	1	K0
	R54	RK73HB1J000J	MG RESISTOR	0Ω 1/16W J	1	K0
	R103	RK73GB2A000J	MG RESISTOR	0Ω 1/10W J	1	K0
	R104	RK73GB2A000J	MG RESISTOR	0Ω 1/10W J	1	K0
	R105	RK73GB2A000J	MG RESISTOR	0Ω 1/10W J	1	K0
	R107	RK73HB1J000J	MG RESISTOR	0Ω 1/16W J	1	K0
	R108	RK73HB1J000J	MG RESISTOR	0Ω 1/16W J	1	K0
	R109	RK73GB2A000J	MG RESISTOR	0Ω 1/10W J	1	K0
	R110	RK73GB2A000J	MG RESISTOR	0Ω 1/10W J	1	K0
	R111	RK73GB2A000J	MG RESISTOR	0Ω 1/10W J	1	K0
	R112	RK73GB2A000J	MG RESISTOR	0Ω 1/10W J	1	K0
	R114	RK73HB1J470J	MG RESISTOR	47Ω 1/16W J	1	K0
	R115	RK73GB2A223J	MG RESISTOR	22kΩ 1/10W J	1	K0
	R116	RK73GB2A223J	MG RESISTOR	22kΩ 1/10W J	1	K0
	R121	RK73GB2A470J	MG RESISTOR	47Ω 1/10W J	1	K0
	R122	RK73GB2A470J	MG RESISTOR	47Ω 1/10W J	1	K0
	R123	RK73GB2A470J	MG RESISTOR	47Ω 1/10W J	1	K0
	R124	RK73GB2A470J	MG RESISTOR	47Ω 1/10W J	1	K0
	R127	RK73GB2A470J	MG RESISTOR	47Ω 1/10W J	1	K0
	R129	RK73HB1J470J	MG RESISTOR	47Ω 1/16W J	1	K0
	R140	RK73GB2A000J	MG RESISTOR	0Ω 1/10W J	1	K0
	R141	RK73HB1J103J	MG RESISTOR	10kΩ 1/16W J	1	K0
	R142	RK73HB1J103J	MG RESISTOR	10kΩ 1/16W J	1	K0
	R143	RK73HB1J103J	MG RESISTOR	10kΩ 1/16W J	1	K0
	R144	RK73HB1J103J	MG RESISTOR	10kΩ 1/16W J	1	K0
	R145	RK73GB2A102J	MG RESISTOR	1kΩ 1/10W J	1	K0
	R155	RK73GB2A470J	MG RESISTOR	47Ω 1/10W J	1	K0
	R166	RK73GB2A470J	MG RESISTOR	47Ω 1/10W J	1	K0
	L1	LK73G0BER15K	M.CHIP INDUCTOR		1	K0
	L2	LK73G0BE82NK	M.CHIP INDUCTOR		1	K0
	L3	LK73G0BER12K	M.CHIP INDUCTOR		1	K0
	L4	LK73G0BER82K	M.CHIP INDUCTOR		1	K0
	L5	LK73G0BE1R8K	M.CHIP INDUCTOR		1	K0
	L8	LK73G0BER39K	M.CHIP INDUCTOR		1	K0
	L10	L1K-0001-00	BALUN TRANS		1	K0
	L14	LK73G0BE100K	M.CHIP INDUCTOR		1	K0
	L21	LB73G0EB-001	CHIP FERRITE		1	K0
	L22	LB73G0EB-001	CHIP FERRITE		1	K0
	L101	LB73G0FK-001	CHIP FERRITE		1	K0
	CN1	EA110AD-2017B	W TO B CONNE		1	K0
	CN2	EA110AD-2003B	W TO B CONNE		1	K0
	X1	L7J-0021-00	QUARTZ CRYSTAL		1	K0
	CD MECHA PWB ASSY (XJD-0030-00) <XJD>					
	IC1	MN6627553APA	IC		1	
	IC2	BD8266EFV-M	ANALOG IC		1	
	Q1	2SA2188/E/-X	TRANSISTOR		1	
	C1	CK73HBB1A104K	C CAPACITOR	0.1uF 10V K	1	
	C3	CK73HBB1A104K	C CAPACITOR	0.1uF 10V K	1	
	C4	CK73HBB1A104K	C CAPACITOR	0.1uF 10V K	1	
	C7	CK73GBB1C334K	C CAPACITOR	0.33uF 16V K	1	
	C8	CK73HBB1H102K	C CAPACITOR	1000pF 50V K	1	
	C9	CK73HBB1C823K	C CAPACITOR	0.082uF 16V K	1	
	C10	CK73HBB1H102K	C CAPACITOR	1000pF 50V K	1	
	C11	CK73HBB1A104K	C CAPACITOR	0.1uF 10V K	1	
	C12	CK73HBB1E153K	C CAPACITOR	0.015uF 25V K	1	
	C13	CC73HCH1H681J	C CAPACITOR	680pF 50V J	1	
	C14	CK73HBB1A104K	C CAPACITOR	0.1uF 10V K	1	
	C15	CK73GXR0J475K	C CAPACITOR	4.7uF 6.3V K	1	
	C16	CK730AU0J105K	C CAPACITOR	1uF 6.3V K	1	

MODEL	MARK	MODEL	MARK	MODEL	MARK
DPX-7100DAB	E1	DPX-7100DAB	X1	DPX793BH	K0

Safe	Symbol No.	Parts No.	Parts Name	Description	QTY	Local
C17		CK73GBB1C334K	C CAPACITOR	0.33uF 16V K	1	
C18		CK73HBB1H332K	C CAPACITOR	3300pF 50V K	1	
C19		CK73HBB1E223K	C CAPACITOR	0.022uF 25V K	1	
C20		NCB20JK-106X	C CAPACITOR	10uF 6.3V K	1	
C21		CK73GBB1C334K	C CAPACITOR	0.33uF 16V K	1	
C26		CK73FXR1C106K	C CAPACITOR	10uF 16V K	1	
C27		CK73HBB1A104K	C CAPACITOR	0.1uF 10V K	1	
C28		CK73HBB1A104K	C CAPACITOR	0.1uF 10V K	1	
C50		CK73HBB1H682K	C CAPACITOR	6800pF 50V K	1	
C51		CK73HBB1H682K	C CAPACITOR	6800pF 50V K	1	
C52		CK73HBB1H103K	C CAPACITOR	0.01uF 50V K	1	
C53		CK73HBB1H103K	C CAPACITOR	0.01uF 50V K	1	
C55		CK73HBB1A104K	C CAPACITOR	0.1uF 10V K	1	
C60		CC73HCH1H821J	C CAPACITOR	820pF 50V J	1	
C61		CC73HCH1H821J	C CAPACITOR	820pF 50V J	1	
C62		CK73GXR0J106M	C CAPACITOR	10uF 6.3V M	1	
C82		CC73HCH1H471J	C CAPACITOR	470pF 50V J	1	
C83		CC73HCH1H120J	C CAPACITOR	12pF 50V J	1	
C84		CC73HCH1H120J	C CAPACITOR	12pF 50V J	1	
C85		CK73HBB1A104K	C CAPACITOR	0.1uF 10V K	1	
C244		CK73GXR1C154K	C CAPACITOR	0.15uF 16V K	1	
R3		RK73HB1J102J	MG RESISTOR	1kΩ 1/16W J	1	
R4		RK73HB1J105J	MG RESISTOR	1MΩ 1/16W J	1	
R7		RK73HB1J272J	MG RESISTOR	2.7kΩ 1/16W J	1	
R8		RK73HB1J821J	MG RESISTOR	820Ω 1/16W J	1	
R9		RK73HB1J823J	MG RESISTOR	82kΩ 1/16W J	1	
R10		RK73FB2B4R7J	MG RESISTOR	4.7Ω 1/8W J	1	
R11		RK73HB1J472J	MG RESISTOR	4.7kΩ 1/16W J	1	
R12		RK73HB1J225J	MG RESISTOR	2.2MΩ 1/16W J	1	
R17		RK73HB1J123J	MG RESISTOR	12kΩ 1/16W J	1	
R18		RK73HB1J822J	MG RESISTOR	8.2kΩ 1/16W J	1	
R20		RK73HB1J103J	MG RESISTOR	10kΩ 1/16W J	1	
R21		RK73HB1J822J	MG RESISTOR	8.2kΩ 1/16W J	1	
R23		RK73HB1J183J	MG RESISTOR	18kΩ 1/16W J	1	
R24		RK73HB1J272J	MG RESISTOR	2.7kΩ 1/16W J	1	
R26		RK73HB1J223J	MG RESISTOR	22kΩ 1/16W J	1	
R28		RK73HB1J114J	MG RESISTOR	110kΩ 1/16W J	1	
R31		RK73HB1J821J	MG RESISTOR	820Ω 1/16W J	1	
R32		RK73HB1J821J	MG RESISTOR	820Ω 1/16W J	1	
R33		RK73HB1J131J	MG RESISTOR	130Ω 1/16W J	1	
R37		RK73HB1J103J	MG RESISTOR	10kΩ 1/16W J	1	
R44		RK73HB1J101J	MG RESISTOR	100Ω 1/16W J	1	
R47		RK73HB1J101J	MG RESISTOR	100Ω 1/16W J	1	
R305		RK73HB1J101J	MG RESISTOR	100Ω 1/16W J	1	
RA1		RK74HB1J562J	NET RESISTOR	5.6kΩ 1/16W J	1	
RA2		RK74HB1J101J	NET RESISTOR	100Ω 1/16W J	1	
L1		LB73G0EA-002	CHIP FERRITE		1	
L2		LB73H0AY-004	CHIP FERRITE		1	
L3		LB73H0AY-004	CHIP FERRITE		1	
CN1		EC720AE-1026B	FFC FPC CONNE		1	
CN2		EC720AK-0515A	FFC FPC CONNE		1	
S1		NSW0291-001X	DETECT SWITCH		1	
S2		NSW0291-001X	DETECT SWITCH		1	
S3		S6J-0002-00	PUSH SWITCH		1	
X1		L7J-0005-00	QUARTZ CRYSTAL		1	