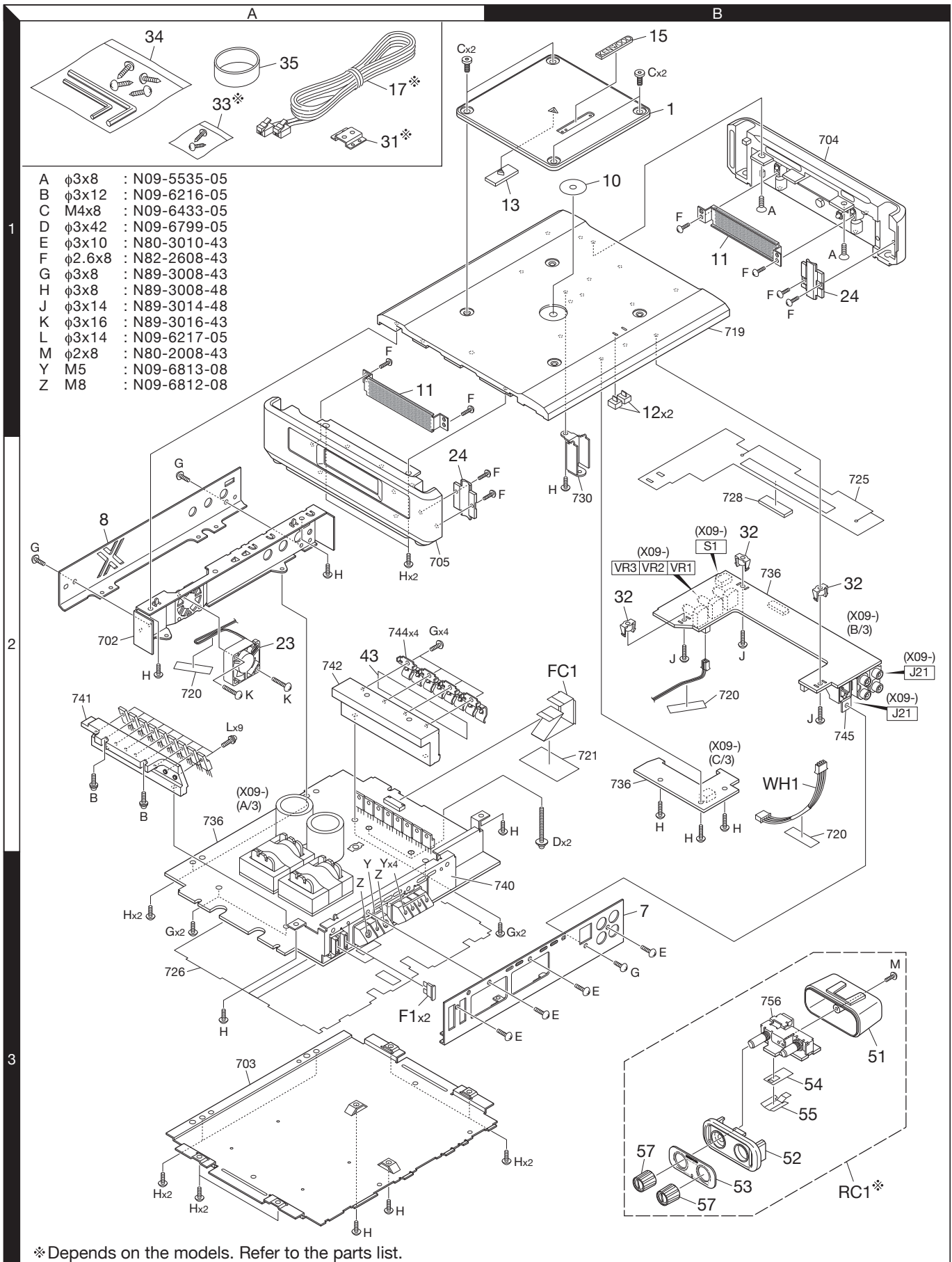


KAC-X1D/XR-1S

EXPLODED VIEW



PARTS LIST

* New parts

Parts without **Parts No.** are not supplied.

Les articles non mentionnés dans le **Parts No.** ne sont pas fournis.

Teile ohne **Parts No.** werden nicht geliefert.

Ref. No.	Ad	New	Parts No.	Description	Destination	Ref. No.	Ad	New	Parts No.	Description	Destination
KAC-X1D/XR-1S											
1	1B	*	A21-6704-02	DRESSING PANEL	K	C15			CK73EB1C106K	CHIP C 10UF	K
1	1B	*	A21-6705-02	DRESSING PANEL	E1	C16			CK73GB1H104K	CHIP C 0.10UF	K
7	3B	*	A64-4745-02	PANEL		C17 -19			C90-6876-05	ELECTRO 4700UF	16WV
8	2A	*	A84-0539-02	REAR PANEL		C20 ,21			CK73GB1H682K	CHIP C 6800PF	K
						C23			C91-2290-05	METAL PF C 4.7UF	K
						C26 ,27			C90-6838-05	ELECTRO 4700UF	56WV
10	1B	*	B03-5109-04	DRESSING PLATE		C30 -33			CD04BJ1E470M	ELECTRO 47UF	25WV
11	1A	*	B04-0604-04	PUNCHING METAL		C34			CD04BJ1H470M	ELECTRO 47UF	50WV
12	2B	*	B19-2525-04	LIGHTING BOARD		C35			CD04BJ1H100M	ELECTRO 10UF	50WV
13	1B	*	B19-2526-04	LIGHTING BOARD		C36			CK73GB1C225K	CHIP C 2.2UF	K
15	1B		B43-0336-04	BADGE							
-		*	B64-4327-00	INSTRUCTION MANUAL (ENG.FRE.SPA		C37			CK73EB1C106K	CHIP C 10UF	K
-		*	B64-4328-00	INSTRUCTION MA (GER.DUT.ITA.POR	E1	C38			CK73EB1A106K	CHIP C 10UF	K
17	1A		E30-6240-15	MODULAR CABLE	E1	C39 ,40			CK73FB0J226M	CHIP C 22UF	M
FC1	2B	*	E39-1061-05	FLAT CABLE		C42			CK73GB1H104K	CHIP C 0.10UF	K
WH1	2B	*	E39-1063-05	WIRING HARNESS		C43			CK73GB1H103K	CHIP C 0.010UF	K
23	2A	*	F09-3014-05	FAN		C46 -48			CK73GB1H103K	CHIP C 0.010UF	K
24	1B	*	F19-1820-04	BLIND PLATE		C49			CE32BJ1V100M	CHIP EL 10UF	35WV
F1	3A		F52-0045-05	FUSE (BLADE TYPE) 30A		C50			CK73GB1H473K	CHIP C 0.047UF	K
-		*	H54-4553-03	ITEM CARTON CASE	K	C51			CD04BJ1E470M	ELECTRO 47UF	25WV
-		*	H54-4554-03	ITEM CARTON CASE	E1	C52 ,53			CK73GB1H103K	CHIP C 0.010UF	K
31	1A		J22-0301-14	MOUNTING HARDWARE	E1	C54			CC73GCH1H151J	CHIP C 150PF	J
32	3B		J30-1066-14	SPACER		C55			CK73GB1H102K	CHIP C 1000PF	K
33	1A		N99-1766-15	SCREW SET	E1	C56 ,57			CK73GB1H333K	CHIP C 0.033UF	K
34	1A		N99-1833-05	SCREW & WRENCH KEY SET		C58 ,59			CK73GB1C225K	CHIP C 2.2UF	K
A	1B		N09-5535-05	SET SCREW (3X8)		C60			CC73GCH1H331J	CHIP C 330PF	J
B	2A		N09-6216-05	TAPTITE SCREW (3X12)		C61 -63			CK73GB1H103K	CHIP C 0.010UF	K
C	1B		N09-6433-05	DRESSED SCREW (M4X8)		C64 ,65			CK73FB1H224K	CHIP C 0.22UF	K
D	2B	*	N09-6799-05	SEMS (TAPTITE SCREW) (3X42)		C66 ,67			CC73GCH1H510J	CHIP C 51PF	J
E	3B		N80-3010-43	PAN HEAD TAPTITE SCREW		C68 ,69			CK73FB1H224K	CHIP C 0.22UF	K
F	1B	*	N89-2608-43	BINDING HEAD TAPTITE SCREW		C70 ,71			CC73GCH1H510J	CHIP C 51PF	J
G	2A		N89-3008-43	BINDING HEAD TAPTITE SCREW		C72			CK73GB1H472K	CHIP C 4700PF	K
H	3A		N89-3008-48	BINDING HEAD TAPTITE SCREW		C73			CK73EB1C106K	CHIP C 10UF	K
J	2B		N89-3014-48	BINDING HEAD TAPTITE SCREW		C74			CK73GB1H104K	CHIP C 0.10UF	K
K	2A	*	N89-3016-43	BINDING HEAD TAPTITE SCREW		C75		*	CE32BF1H220M	CHIP EL 22UF	50WV
Y	3B		N09-6813-08	SCREW (TERMINAL) M5		C76			CK73EB1C106K	CHIP C 10UF	K
Z	3B		N09-6812-08	SCREW (TERMINAL) M8		C77		*	CE32BF1H220M	CHIP EL 22UF	50WV
35	1A		W01-1746-05	ACCESSORIES		C78			CK73GB1H333K	CHIP C 0.033UF	K
RC1	3B		X16-6000-10	SWITCH UNIT(REMOTECONTROL)	E1	C79			C91-2292-05	METAL PF C 0.047UF	K
AUDIO UNIT (X09-8840-10)											
C1			CD04AU1H100M	NP ELEC 10UF 50WV		C80			CK73GB1H333K	CHIP C 0.033UF	K
C2			CD04AS1V100M	ELECTRO 10UF 35WV		C81			CK73GB1H472K	CHIP C 4700PF	K
C3			CK73GB1C225K	CHIP C 2.2UF K		C84 ,85			CK73GB1H153K	CHIP C 0.015UF	K
C4			CD04AS1C220M	ELECTRO 22UF 16WV		C86 ,87			C91-2291-05	METAL PF C 2.2UF	K
C5 -7			CK73GB1H103K	CHIP C 0.010UF K		C89 ,90			C91-2290-05	METAL PF C 4.7UF	K
C8			CE32BD1E470M	CHIP EL 47UF 25WV		C91 ,92			CD04AS1C101M	ELECTRO 100UF	16WV
C9			CK73GB1H102K	CHIP C 1000PF K		C93			CK73GB1H103K	CHIP C 0.010UF	K
C10			CD04AS0J470M	ELECTRO 47UF 6.3WV		C94			CK73GB1H104K	CHIP C 0.10UF	K
C11			CK73GB1H104K	CHIP C 0.10UF K		C95			CK73FB0J106K	CHIP C 10UF	K
C12			CK73GB1H103K	CHIP C 0.010UF K		C96 ,97			CK73GB1H103K	CHIP C 0.010UF	K
C14			CK73GB1C225K	CHIP C 2.2UF K		C98			CD04AT1V100M	ELECTRO 10UF	35WV
						C99			CK73GB1H102K	CHIP C 1000PF	K
						C100			CK73GB1H103K	CHIP C 0.010UF	K
						C101			CK73GB1H473K	CHIP C 0.047UF	K
						C102			CC73GCH1H101J	CHIP C 100PF	J
						C103			CK73FB1C684K	CHIP C 0.68UF	K
						C104			CK73GB1H103K	CHIP C 0.010UF	K

E1 : KAC-X1D (Europe) K : XR-1S (North America)

△ Indicates safety critical components.

KAC-X1D/XR-1S

PARTS LIST

AUDIO UNIT (X09-8840-10)

Ref. No.	A d d	N e w	Parts No.	Description	Desti- nation
C105			CK73FB0J106K	CHIP C 10UF K	
C106,107			CK73GB1H103K	CHIP C 0.010UF K	
C108			CK73FB0J106K	CHIP C 10UF K	
C109,110			CK73GB1H332K	CHIP C 3300PF K	
C111			CK73GB1H102K	CHIP C 1000PF K	
C112			CK73FB1C105K	CHIP C 1.0UF K	
C113,114			CK73GB1H103K	CHIP C 0.010UF K	
C115			CK73FB1C105K	CHIP C 1.0UF K	
C116,117			CK73GB1H473K	CHIP C 0.047UF K	
C118			CK73GB1H102K	CHIP C 1000PF K	
C119			CK73GB1H104K	CHIP C 0.10UF K	
C120			CK73FB1E474K	CHIP C 0.47UF K	
C121			CK73GB1H103K	CHIP C 0.010UF K	
C123,124			CK73GB1H103K	CHIP C 0.010UF K	
C125,126			CC73GCH1H331J	CHIP C 330PF J	
C127-131			CK73GB1H103K	CHIP C 0.010UF K	
C132			CK73GB1H102K	CHIP C 1000PF K	
C135-142			CK73GB1H332K	CHIP C 3300PF K	
C143,144			CK73GB1H103K	CHIP C 0.010UF K	
C145-148		*	C92-2015-05	ELECTRO 22UF 63WV	
C149-152			CK73GB1H332K	CHIP C 3300PF K	
C154			CK73GB1H103K	CHIP C 0.010UF K	
C155			CK73GB1A105K	CHIP C 1.0UF K	
C156,157			CK73GB1H103K	CHIP C 0.010UF K	
C158,159			CK73GB1H104K	CHIP C 0.10UF K	
C160-162			CK73GB1H103K	CHIP C 0.010UF K	
C163,164			CK73GB1H102K	CHIP C 1000PF K	
C166,167			CK73GB1H102K	CHIP C 1000PF K	
C169,170			CK73GB1H102K	CHIP C 1000PF K	
C172,173			CK73GB1H102K	CHIP C 1000PF K	
C175			CD04AS1V100M	ELECTRO 10UF 35WV	
C187			CK73GB1H104K	CHIP C 0.10UF K	
C189			CK73EB1H474K	CHIP C 0.47UF K	
C190			CK73EB1E105K	CHIP C 1.0UF K	
C191,192			CK73GB1H103K	CHIP C 0.010UF K	
C501,502			CK73GB1H102K	CHIP C 1000PF K	
C503,504			CD04AS1V100M	ELECTRO 10UF 35WV	
C505			CC73GCH1H330J	CHIP C 33PF J	
C506,507			CK73GB1H103K	CHIP C 0.010UF K	
C508			CC73GCH1H330J	CHIP C 33PF J	
C511,512			CC73GCH1H560J	CHIP C 56PF J	
C513			CC73GCH1H330J	CHIP C 33PF J	
C514			CD04AS1V100M	ELECTRO 10UF 35WV	
C515			CC73GCH1H330J	CHIP C 33PF J	
C516,517			CC73GCH1H560J	CHIP C 56PF J	
C518			CD04AS1V100M	ELECTRO 10UF 35WV	
C519			CK73GB1H102K	CHIP C 1000PF K	
C520			CK73EB1C106K	CHIP C 10UF K	
C521			CK73GB1H102K	CHIP C 1000PF K	
C522			CK73EB1C106K	CHIP C 10UF K	
C523-525			CK73GB1C225K	CHIP C 2.2UF K	
C527,528			CK73GB1H103K	CHIP C 0.010UF K	
C529			CC73GCH1H101J	CHIP C 100PF J	
C531,532			CD04AS1V100M	ELECTRO 10UF 35WV	
C533,534			CC73GCH1H330J	CHIP C 33PF J	

Ref. No.	A d d	N e w	Parts No.	Description	Desti- nation
C601,602			CK73GB1C225K	CHIP C 2.2UF K	
C603,604			CK73GB1H103K	CHIP C 0.010UF K	
C605			CK73GB1H473K	CHIP C 0.047UF K	
C606,607			CK73FB0J106K	CHIP C 10UF K	
C608			CK73GB1H473K	CHIP C 0.047UF K	
C609			CK73GB1C225K	CHIP C 2.2UF K	
C610			CK73FB0J106K	CHIP C 10UF K	
C611			CK73GB1A105K	CHIP C 1.0UF K	
C612			CC73GCH1H220J	CHIP C 22PF J	
C613			CD04AS1V100M	ELECTRO 10UF 35WV	
C614-617			CC73GCH1H101J	CHIP C 100PF J	
C618-620			CK73FB0J106K	CHIP C 10UF K	
C701			CK73GB1H683K	CHIP C 0.068UF K	
C702			CK73GB1C224K	CHIP C 0.22UF K	
C703,704			CK73GB1H103K	CHIP C 0.010UF K	
C705			CK73GB1H683K	CHIP C 0.068UF K	
C706			CK73GB1H333K	CHIP C 0.033UF K	
C707			CK73GB1C224K	CHIP C 0.22UF K	
C709			CC73GCH1H220J	CHIP C 22PF J	
C710,711			CD04AS1HR47M	ELECTRO 0.47UF 50WV	
C712,713			CK73GB1H103K	CHIP C 0.010UF K	
C714			CD04AS1HR22M	ELECTRO 0.22UF 50WV	
C715			CD04AS1H0R1M	ELECTRO 0.1UF 50WV	
C716			CD04AS1V100M	ELECTRO 10UF 35WV	
C717			CD04AS1HR22M	ELECTRO 0.22UF 50WV	
C718			CK73GB1H473K	CHIP C 0.047UF K	
C801-803			CK73GB1H103K	CHIP C 0.010UF K	
C901			CK73GB1A105K	CHIP C 1.0UF K	
C902,903			CK73GB1H103K	CHIP C 0.010UF K	
C904			CC73GCH1H471J	CHIP C 470PF J	
C906			CK73GB1H104K	CHIP C 0.10UF K	
C910			CK73GB1H103K	CHIP C 0.010UF K	
C911			CK73EB1C106K	CHIP C 10UF K	
C912			CD04AS1C470M	ELECTRO 47UF 16WV	
C913-916			CK73GB1H222K	CHIP C 2200PF K	
CN11			E41-2170-05	FLAT CABLE CONNECTOR	
CN12			E41-1684-05	PIN ASSY	
CN14			E41-1682-05	PIN ASSY	
CN21			E41-2170-05	FLAT CABLE CONNECTOR	
CN22			E41-1701-05	PIN ASSY	
J1			E70-0854-05	SCREW TERMINAL BOARD	
J2			E70-0853-05	SCREW TERMINAL BOARD	
J21		*	E63-0967-05	PIN JACK	
J22			E58-0966-15	RECTANGULAR RECEPTACLE	
43	2A	*	F20-2490-04	INSULATING BOARD	
CN1			J13-0611-05	FUSE HOLDER	
L1		*	L33-2480-05	CHOKE COIL	
L2 ,3		*	L19-0828-05	TRANSFORMER FOR CONVERTER	
L4 ,5		*	L33-2495-05	CHOKE COIL	
L6 ,7		*	L33-2494-15	CHOKE COIL	
G	2A		N89-3008-43	BINDING HEAD TAPTITE SCREW	
L	2A		N09-6217-05	TAPTITE SCREW	

E1 : KAC-X1D (Europe) K : XR-1S (North America)

△Indicates safety critical components.

PARTS LIST

AUDIO UNIT (X09-8840-10)

Ref. No.	Add	New	Parts No.	Description	Destination	Ref. No.	Add	New	Parts No.	Description	Destination
R1			RK73EB2E392J	CHIP R 3.9K J 1/4W		R79			RK73EB2E152J	CHIP R 1.5K J 1/4W	
R2			RK73GB2A682J	CHIP R 6.8K J 1/10W		R80 ,81			RK73GB2A474J	CHIP R 470K J 1/10W	
R3			RK73GB2A392J	CHIP R 3.9K J 1/10W		R82			RK73GB2A102J	CHIP R 1.0K J 1/10W	
R4			RK73GB2A152J	CHIP R 1.5K J 1/10W		R83			RK73GB2A223J	CHIP R 22K J 1/10W	
R5			RK73GB2A103J	CHIP R 10K J 1/10W		R84			RK73GB2A562J	CHIP R 5.6K J 1/10W	
R6			RK73GB2A472J	CHIP R 4.7K J 1/10W		R85			RK73GB2A223J	CHIP R 22K J 1/10W	
R7			RK73GB2A333J	CHIP R 33K J 1/10W		R86			RK73GB2A473J	CHIP R 47K J 1/10W	
R8			RK73GB2A472J	CHIP R 4.7K J 1/10W		R87			RK73GB2A562J	CHIP R 5.6K J 1/10W	
R9			RK73EB2E333J	CHIP R 33K J 1/4W		R88			RK73GB2A473J	CHIP R 47K J 1/10W	
R10			RK73EB2E223J	CHIP R 22K J 1/4W		R89 ,90			RK73GB2A104J	CHIP R 100K J 1/10W	
R11			RK73GB2A333J	CHIP R 33K J 1/10W		R91 ,92			RK73GB2A470J	CHIP R 47 J 1/10W	
R12			RK73GB2A103J	CHIP R 10K J 1/10W		R93			RK73GB2A272J	CHIP R 2.7K J 1/10W	
R13			RK73GB2A203J	CHIP R 20K J 1/10W		R94 ,95			RK73GB2A332J	CHIP R 3.3K J 1/10W	
R14			RK73GB2A101J	CHIP R 100 J 1/10W		R96			RK73GB2A432J	CHIP R 4.3K J 1/10W	
R15			RK73EB2E152J	CHIP R 1.5K J 1/4W		R97			RK73GB2A332J	CHIP R 3.3K J 1/10W	
R16			RK73GB2A183J	CHIP R 18K J 1/10W		R98			RK73GB2A133J	CHIP R 13K J 1/10W	
R17			RK73GB2A154J	CHIP R 150K J 1/10W		R99			RK73GB2A332J	CHIP R 3.3K J 1/10W	
R18			RK73GB2A103J	CHIP R 10K J 1/10W		R100			RK73GB2A113J	CHIP R 11K J 1/10W	
R19			RK73GB2A154J	CHIP R 150K J 1/10W		R101			RK73GB2A562J	CHIP R 5.6K J 1/10W	
R20			RK73GB2A682J	CHIP R 6.8K J 1/10W		R103			RK73GB2A682J	CHIP R 6.8K J 1/10W	
R21			RK73GB2A203J	CHIP R 20K J 1/10W		R104			RK73GB2A102J	CHIP R 1.0K J 1/10W	
R22			RK73GB2A113J	CHIP R 11K J 1/10W		R105			RK73GB2A471J	CHIP R 470 J 1/10W	
R23			RK73GB2A103J	CHIP R 10K J 1/10W		R106			RK73GB2A102J	CHIP R 1.0K J 1/10W	
R24			RK73GB2A391J	CHIP R 390 J 1/10W		R109			RK73GB2A474J	CHIP R 470K J 1/10W	
R25			RK73GB2A473J	CHIP R 47K J 1/10W		R110,111			RK73GB2A103J	CHIP R 10K J 1/10W	
R28			RK73GB2A102J	CHIP R 1.0K J 1/10W		R112			RK73GB2A102J	CHIP R 1.0K J 1/10W	
R30			RK73GB2A472J	CHIP R 4.7K J 1/10W		R113,114			RK73EB2E332J	CHIP R 3.3K J 1/4W	
R31			RK73GB2A102J	CHIP R 1.0K J 1/10W		R115			RK73EB2E103J	CHIP R 10K J 1/4W	
R33			RK73GB2A102J	CHIP R 1.0K J 1/10W		R116			RK73EB2E273J	CHIP R 27K J 1/4W	
R34			RK73GB2A684J	CHIP R 680K J 1/10W		R117			RK73EB2E103J	CHIP R 10K J 1/4W	
R35			RK73GB2A222J	CHIP R 2.2K J 1/10W		R118			RK73EB2E273J	CHIP R 27K J 1/4W	
R36			RK73GB2A333J	CHIP R 33K J 1/10W		R119,120			RK73EB2E123J	CHIP R 12K J 1/4W	
R37			RK73GB2A683J	CHIP R 68K J 1/10W		R121			RK73GB2A1R0J	CHIP R 1.0 J 1/10W	
R38 ,39			RK73GB2A152J	CHIP R 1.5K J 1/10W		R122,123			RK73GB2A103J	CHIP R 10K J 1/10W	
R40 ,41			RK73GB2A560J	CHIP R 56 J 1/10W		R124			RK73GB2A682J	CHIP R 6.8K J 1/10W	
R42 ,43			RK73GB2A472J	CHIP R 4.7K J 1/10W		R125			RK73GB2A103J	CHIP R 10K J 1/10W	
R44 -47			RK73GB2A470J	CHIP R 47 J 1/10W		R126			RK73GB2A1R0J	CHIP R 1.0 J 1/10W	
R48 -53			RK73PB2H100J	CHIP R 10 J 1/2W		R127,128			RK73GB2A622J	CHIP R 6.2K J 1/10W	
R54 ,55			RK73EB2E473J	CHIP R 47K J 1/4W		R129			RK73GB2A123J	CHIP R 12K J 1/10W	
R58 ,59			RK73GB2A471J	CHIP R 470 J 1/10W		R130,131			RK73GB2A103J	CHIP R 10K J 1/10W	
R60 ,61			RK73GB2A101J	CHIP R 100 J 1/10W		R134			RK73GB2A102J	CHIP R 1.0K J 1/10W	
R62 ,63			RK73GB2A331J	CHIP R 330 J 1/10W		R135			RK73GB2A103J	CHIP R 10K J 1/10W	
R64			RK73GB2A100J	CHIP R 10 J 1/10W		R136			RK73GB2A622J	CHIP R 6.2K J 1/10W	
R65			RK73GB2A331J	CHIP R 330 J 1/10W		R137			RK73GB2A222J	CHIP R 2.2K J 1/10W	
R66			RK73GB2A472J	CHIP R 4.7K J 1/10W		R138,139			RK73GB2A103J	CHIP R 10K J 1/10W	
R67			RK73GB2A103J	CHIP R 10K J 1/10W		R140			RK73GB2A102J	CHIP R 1.0K J 1/10W	
R68 ,69			RK73GB2A153J	CHIP R 15K J 1/10W		R141			RK73GB2A103J	CHIP R 10K J 1/10W	
R70			RK73EB2E102J	CHIP R 1.0K J 1/4W		R142			RK73GB2A622J	CHIP R 6.2K J 1/10W	
R71			RK73GB2A101J	CHIP R 100 J 1/10W		R143			RK73GB2A222J	CHIP R 2.2K J 1/10W	
R72			RK73GB2A223J	CHIP R 22K J 1/10W		R144,145			RK73GB2A103J	CHIP R 10K J 1/10W	
R74			RK73GB2A472J	CHIP R 4.7K J 1/10W		R146			RK73GB2A102J	CHIP R 1.0K J 1/10W	
R75			RK73GB2A203J	CHIP R 20K J 1/10W		R147-152			RK73GB2A103J	CHIP R 10K J 1/10W	
R76			RK73GB2A472J	CHIP R 4.7K J 1/10W		R153			RK73GB2A512J	CHIP R 5.1K J 1/10W	
R77			RK73GB2A393J	CHIP R 39K J 1/10W		R154-157			RK73GB2A151J	CHIP R 150 J 1/10W	
R78			RK73GB2A473J	CHIP R 47K J 1/10W		R158			RK73GB2A333J	CHIP R 33K J 1/10W	

E1 : KAC-X1D (Europe) K : XR-1S (North America)

△ Indicates safety critical components.

KAC-X1D/XR-1S

PARTS LIST

AUDIO UNIT (X09-8840-10)

Ref. No.	A d d	N e w	Parts No.	Description	Desti- nation
R159,160			RK73EB2E100J	CHIP R 10 J 1/4W	
R162,163			RK73EB2E100J	CHIP R 10 J 1/4W	
R164			RK73GB2A333J	CHIP R 33K J 1/10W	
R165-169			RK73EB2E100J	CHIP R 10 J 1/4W	
R170			R92-5161-05	METAL P R 0.02 5W	
R171			RK73GB2A332J	CHIP R 3.3K J 1/10W	
R172-174			RK73EB2E100J	CHIP R 10 J 1/4W	
R175			R92-5161-05	METAL P R 0.02 5W	
R176			RK73GB2A332J	CHIP R 3.3K J 1/10W	
R177			RK73GH2A333D	CHIP R 33K D 1/10W	
R178			RK73GB2A102J	CHIP R 1.0K J 1/10W	
R179			RK73GH2A152D	CHIP R 1.5K D 1/10W	
R180			RK73GB2A623J	CHIP R 62K J 1/10W	
R181			RK73GH2A333D	CHIP R 33K D 1/10W	
R182			RK73GB2A162J	CHIP R 1.6K J 1/10W	
R183			RK73GB2A222J	CHIP R 2.2K J 1/10W	
R184			RK73GB2A133J	CHIP R 13K J 1/10W	
R185			RK73GH2A152D	CHIP R 1.5K D 1/10W	
R188			RK73EB2E243J	CHIP R 24K J 1/4W	
R189-192			RK73EB2E362J	CHIP R 3.6K J 1/4W	
R193,194			R92-5142-05	METAL P R 2.2 5W	
R195			RK73EB2E243J	CHIP R 24K J 1/4W	
R196,197			RK73GB2A393J	CHIP R 39K J 1/10W	
R198,199			RK73GB2A822J	CHIP R 8.2K J 1/10W	
R200,201			RK73GB2A104J	CHIP R 100K J 1/10W	
R202			RK73GB2A103J	CHIP R 10K J 1/10W	
R203			RK73GB2A222J	CHIP R 2.2K J 1/10W	
R204,205			RK73GB2A223J	CHIP R 22K J 1/10W	
R206			RK73GB2A332J	CHIP R 3.3K J 1/10W	
R207			RK73GH2A472D	CHIP R 4.7K D 1/10W	
R208			RK73GH2A103D	CHIP R 10K D 1/10W	
R209			RK73GB2A100J	CHIP R 10 J 1/10W	
R210			RK73GB2A104J	CHIP R 100K J 1/10W	
R211			RK73GB2A392J	CHIP R 3.9K J 1/10W	
R212			RK73GB2A223J	CHIP R 22K J 1/10W	
R213-215			RK73GB2A103J	CHIP R 10K J 1/10W	
R216			RK73GB2A222J	CHIP R 2.2K J 1/10W	
R217			RK73GB2A102J	CHIP R 1.0K J 1/10W	
R218			RK73GB2A684J	CHIP R 680K J 1/10W	
R219			RK73GB2A103J	CHIP R 10K J 1/10W	
R220			RK73GB2A224J	CHIP R 220K J 1/10W	
R221			RK73GB2A103J	CHIP R 10K J 1/10W	
R222			RK73GB2A102J	CHIP R 1.0K J 1/10W	
R223			RK73GB2A203J	CHIP R 20K J 1/10W	
R224			RK73GB2A123J	CHIP R 12K J 1/10W	
R225			RK73GB2A103J	CHIP R 10K J 1/10W	
R226			RK73GB2A203J	CHIP R 20K J 1/10W	
R227			RK73GB2A132J	CHIP R 1.3K J 1/10W	
R228,229			RK73GB2A203J	CHIP R 20K J 1/10W	
R230			RK73GB2A103J	CHIP R 10K J 1/10W	
R231			RK73GB2A100J	CHIP R 10 J 1/10W	
R233			RK73GB2A243J	CHIP R 24K J 1/10W	
R234			RK73GB2A223J	CHIP R 22K J 1/10W	
R235			RK73GB2A472J	CHIP R 4.7K J 1/10W	
R236			RK73GB2A132J	CHIP R 1.3K J 1/10W	

Ref. No.	A d d	N e w	Parts No.	Description	Desti- nation
R237			RK73GB2A103J	CHIP R 10K J 1/10W	
R238			R92-5161-05	METAL P R 0.02 5W	
R239			RK73GB2A223J	CHIP R 22K J 1/10W	
R240			RK73GB2A472J	CHIP R 4.7K J 1/10W	
R241			RK73GB2A132J	CHIP R 1.3K J 1/10W	
R242			RK73EB2E472J	CHIP R 4.7K J 1/4W	
R243			RK73GB2A103J	CHIP R 10K J 1/10W	
R245			RK73GB2A474J	CHIP R 470K J 1/10W	
R246			RK73GB2A104J	CHIP R 100K J 1/10W	
R247			RK73GB2A154J	CHIP R 150K J 1/10W	
R248			RK73GB2A472J	CHIP R 4.7K J 1/10W	
R249			RK73GB2A103J	CHIP R 10K J 1/10W	
R250			RK73GB2A682J	CHIP R 6.8K J 1/10W	
R251			RK73GB2A103J	CHIP R 10K J 1/10W	
R252			RK73GB2A163J	CHIP R 16K J 1/10W	
R253			RK73GB2A103J	CHIP R 10K J 1/10W	
R254,255			RK73GB2A823J	CHIP R 82K J 1/10W	
R259-261			RK73GB2A473J	CHIP R 47K J 1/10W	
R262			RK73GB2A100J	CHIP R 10 J 1/10W	
R263			RK73GB2A623J	CHIP R 62K J 1/10W	
R264			RK73GB2A103J	CHIP R 10K J 1/10W	
R265			RK73GB2A113J	CHIP R 11K J 1/10W	
R266			RK73GB2A103J	CHIP R 10K J 1/10W	
R267			RK73GB2A363J	CHIP R 36K J 1/10W	
R268			RK73GB2A103J	CHIP R 10K J 1/10W	
R269			RK73GB2A471J	CHIP R 470 J 1/10W	
R270,271			RK73GB2A223J	CHIP R 22K J 1/10W	
R272			RK73GB2A103J	CHIP R 10K J 1/10W	
R273			RK73GB2A513J	CHIP R 51K J 1/10W	
R276			RK73EB2E152J	CHIP R 1.5K J 1/4W	
R277-286			RK73PB2H1R0J	CHIP R 1.0 J 1/2W	
R287			RK73GB2A102J	CHIP R 1.0K J 1/10W	
R288			RK73GB2A104J	CHIP R 100K J 1/10W	
R289,290			RK73GB2A103J	CHIP R 10K J 1/10W	
R291			RK73GB2A472J	CHIP R 4.7K J 1/10W	
R292			RK73GB2A182J	CHIP R 1.8K J 1/10W	
R293			RK73GB2A301J	CHIP R 300 J 1/10W	
R294			RK73GB2A472J	CHIP R 4.7K J 1/10W	
R295			RK73GB2A182J	CHIP R 1.8K J 1/10W	
R296			RK73GB2A301J	CHIP R 300 J 1/10W	
R298-301			RK73GB2A104J	CHIP R 100K J 1/10W	
R302			RK73GB2A511J	CHIP R 510 J 1/10W	
R303			RK73GB2A102J	CHIP R 1.0K J 1/10W	
R304			RK73GB2A392J	CHIP R 3.9K J 1/10W	
R305			RK73GB2A103J	CHIP R 10K J 1/10W	
R306			RK73GB2A333J	CHIP R 33K J 1/10W	
R307			RK73GB2A103J	CHIP R 10K J 1/10W	
R308			RK73GB2A392J	CHIP R 3.9K J 1/10W	
R309			RK73GB2A103J	CHIP R 10K J 1/10W	
R310			RK73GB2A101J	CHIP R 100 J 1/10W	
R311			RK73GB2A103J	CHIP R 10K J 1/10W	
R312			RK73GB2A473J	CHIP R 47K J 1/10W	
R313			RK73GB2A102J	CHIP R 1.0K J 1/10W	
R314			RK73GB2A474J	CHIP R 470K J 1/10W	
R315			RK73GB2A393J	CHIP R 39K J 1/10W	

E1 : KAC-X1D (Europe) K : XR-1S (North America)

△ Indicates safety critical components.

PARTS LIST

AUDIO UNIT (X09-8840-10)

Ref. No.	Add	New	Parts No.	Description	Destination	Ref. No.	Add	New	Parts No.	Description	Destination
R316,317			RK73GB2A684J	CHIP R 680K J 1/10W		R617			RK73EB2E100J	CHIP R 10 J 1/4W	
R319,320			RK73GB2A684J	CHIP R 680K J 1/10W		R618,619			RK73EB2E103J	CHIP R 10K J 1/4W	
R322,323			RK73GB2A684J	CHIP R 680K J 1/10W		R620			RK73EB2E681J	CHIP R 680 J 1/4W	
R325,326			RK73GB2A684J	CHIP R 680K J 1/10W		R621,622			RK73GB2A243J	CHIP R 24K J 1/10W	
R335			RK73GB2A102J	CHIP R 1.0K J 1/10W		R701			RK73GB2A472J	CHIP R 4.7K J 1/10W	
R337,338			RK73EB2E472J	CHIP R 4.7K J 1/4W		R702			RK73GB2A332J	CHIP R 3.3K J 1/10W	
R339,340			RK73GB2A101J	CHIP R 100 J 1/10W		R703			RK73GB2A472J	CHIP R 4.7K J 1/10W	
R341			RK73GB2A102J	CHIP R 1.0K J 1/10W		R704			RK73GB2A183J	CHIP R 18K J 1/10W	
R342			RK73GB2A472J	CHIP R 4.7K J 1/10W		R705			RK73GB2A222J	CHIP R 2.2K J 1/10W	
R344			RK73GB2A393J	CHIP R 39K J 1/10W		R709			RK73GB2A102J	CHIP R 1.0K J 1/10W	
R345,346			RK73GB2A471J	CHIP R 470 J 1/10W		R712			RK73GB2A302J	CHIP R 3.0K J 1/10W	
R358			RK73GB2A823J	CHIP R 82K J 1/10W		R713			RK73GB2A912J	CHIP R 9.1K J 1/10W	
R359			RK73GB2A223J	CHIP R 22K J 1/10W		R714			RK73GB2A682J	CHIP R 6.8K J 1/10W	
R360,361			RK73GB2A4R7J	CHIP R 4.7 J 1/10W		R718,719			RK73GB2A682J	CHIP R 6.8K J 1/10W	
R501,502			RK73EB2E152J	CHIP R 1.5K J 1/4W		R720			RK73GB2A623J	CHIP R 62K J 1/10W	
R503,504			RK73GB2A912J	CHIP R 9.1K J 1/10W		R721			RK73GB2A473J	CHIP R 47K J 1/10W	
R505			RK73GB2A472J	CHIP R 4.7K J 1/10W		R724,725			RK73GB2A222J	CHIP R 2.2K J 1/10W	
R506			RK73GH2A103D	CHIP R 10K D 1/10W		R902			RK73GB2A1R0J	CHIP R 1.0 J 1/10W	
R507			RK73GH2A203D	CHIP R 20K D 1/10W		R903,904			RK73EB2E100J	CHIP R 10 J 1/4W	
R508			RK73GB2A472J	CHIP R 4.7K J 1/10W		R913			RK73GB2A102J	CHIP R 1.0K J 1/10W	
R513			RK73GH2A103D	CHIP R 10K D 1/10W		R914			RK73EB2E4R7J	CHIP R 4.7 J 1/4W	
R514			RK73GH2A203D	CHIP R 20K D 1/10W		VR1	*		R31-0258-05	VARIABLE RESISTOR	
R517			RK73GH2A103D	CHIP R 10K D 1/10W		VR2,3	*		R31-0257-05	VARIABLE RESISTOR	
R518		*	RK73EB2E474J	CHIP R 470K J 1/4W		S1			S62-0842-05	SLIDE SWITCH	
R519			RK73GH2A103D	CHIP R 10K D 1/10W		D1			UDZW6.8(B)	ZENER DIODE	
R520,521			RK73GH2A203D	CHIP R 20K D 1/10W		D2			1N5406-TSC	DIODE	
R522,523			RK73GB2A103J	CHIP R 10K J 1/10W		D3			UDZW15(B)	ZENER DIODE	
R524			RK73EB2E102J	CHIP R 1.0K J 1/4W		D4			UDZW10(B)	ZENER DIODE	
R525			RK73GB2A473J	CHIP R 47K J 1/10W		D6			1SS355	DIODE	
R526			RK73EB2E102J	CHIP R 1.0K J 1/4W		D7			DA204U	DIODE	
R527			RK73GB2A473J	CHIP R 47K J 1/10W		D10			DAN202U	DIODE	
R528			RK73GB2A103J	CHIP R 10K J 1/10W		D12			FCH10A20	DIODE	
R529,530			RK73GB2A123J	CHIP R 12K J 1/10W		D13			FRH10A20	DIODE	
R531			RK73GB2A103J	CHIP R 10K J 1/10W		D15,16			UDZW15(B)	ZENER DIODE	
R532-536			RK73GB2A473J	CHIP R 47K J 1/10W		D17-20			EP05Q06	DIODE	
R541			RK73GB2A431J	CHIP R 430 J 1/10W		D21			UDZW15(B)	ZENER DIODE	
R547			RK73GB2A431J	CHIP R 430 J 1/10W		D22			UDZW5.6(B)	ZENER DIODE	
R550			RK73GB2A123J	CHIP R 12K J 1/10W		D23			UDZW5.1(B)	ZENER DIODE	
R553			RK73GB2A822J	CHIP R 8.2K J 1/10W		D24,25			1SS355	DIODE	
R554,555			RK73GB2A470J	CHIP R 47 J 1/10W		D26			DAP202U	DIODE	
R556,557			RK73GB2A472J	CHIP R 4.7K J 1/10W		D27			DAN202U	DIODE	
R603			RK73GB2A472J	CHIP R 4.7K J 1/10W		D28			DAP202U	DIODE	
R604			RK73GB2A393J	CHIP R 39K J 1/10W		D29			1SS355	DIODE	
R605			RK73GB2A152J	CHIP R 1.5K J 1/10W		D30,31			UDZW5.6(B)	ZENER DIODE	
R606			RK73GB2A103J	CHIP R 10K J 1/10W		D32-38			1SS355	DIODE	
R607			RK73GB2A303J	CHIP R 30K J 1/10W		D39			UDZW15(B)	ZENER DIODE	
R608			RK73GB2A471J	CHIP R 470 J 1/10W		D40			1SS355	DIODE	
R609			RK73GB2A472J	CHIP R 4.7K J 1/10W		D41			1SR159-200	DIODE	
R610			RK73GB2A153J	CHIP R 15K J 1/10W		D42			1SS355	DIODE	
R611			RK73GB2A223J	CHIP R 22K J 1/10W		D43			1SR159-200	DIODE	
R612			RK73GB2A331J	CHIP R 330 J 1/10W		D44			UDZW15(B)	ZENER DIODE	
R613			RK73GB2A302J	CHIP R 3.0K J 1/10W		D45,46			1SS355	DIODE	
R614			RK73GB2A223J	CHIP R 22K J 1/10W		D47			DA204U	DIODE	
R615			RK73GB2A473J	CHIP R 47K J 1/10W		D48			UDZW5.1(B)	ZENER DIODE	
R616			RK73EB2E223J	CHIP R 22K J 1/4W							

E1 : KAC-X1D (Europe) K : XR-1S (North America)

△ Indicates safety critical components.

KAC-X1D/XR-1S

PARTS LIST

AUDIO UNIT (X09-8840-10)

Ref. No.	A d d	N e w	Parts No.	Description	Desti- nation	Ref. No.	A d d	N e w	Parts No.	Description	Desti- nation
D49			DA204U	DIODE		Q11			DTC114EUA	TRANSISTOR	
D50 -53			1SS355	DIODE		Q12 ,13			DTA114EUA	TRANSISTOR	
D55 ,56			DA204U	DIODE		Q14			2SC4097	TRANSISTOR	
D57 -59			1SS355	DIODE		Q15 ,16			2SB1427	TRANSISTOR	
D60			UDZW6.8(B)	ZENER DIODE		Q17			2SC4097	TRANSISTOR	
D63			1N5406-TSC	DIODE		Q18 -21	*		FKV550NNF	FET	
D65			UDZW12(B)	ZENER DIODE		Q22			2SC4081	TRANSISTOR	
D66			1SS355	DIODE		Q23			2SA1576A	TRANSISTOR	
D67			UDZW10(B)	ZENER DIODE		Q24			2SD2012-F	TRANSISTOR	
D69			1SS355	DIODE		Q25			2SB1375-F	TRANSISTOR	
D70			UDZW5.1(B)	ZENER DIODE		Q26 ,27			2SA1576A	TRANSISTOR	
D101-104			DA204U	DIODE		Q28			2SC4081	TRANSISTOR	
D105			DAN202U	DIODE		Q29			2SD2012-F	TRANSISTOR	
D106			DAP202U	DIODE		Q30			2SC5824	TRANSISTOR	
D134,135			UMZ6.8N	ZENER DIODE		Q31			DTC114EUA	TRANSISTOR	
D162			DAN202U	DIODE		Q32			2SC4081	TRANSISTOR	
D163			DAP202U	DIODE		Q34 ,35			2SC4081	TRANSISTOR	
D169			DAN202U	DIODE		Q36			2SD2114K	TRANSISTOR	
D170			DAP202U	DIODE		Q39			2SA1163-F	TRANSISTOR	
D601			1SS355	DIODE		Q40			2SC2713-F	TRANSISTOR	
D602			UDZW5.1(B)	ZENER DIODE		Q41			DTC114EUA	TRANSISTOR	
D701,702			UDZW27(B)	ZENER DIODE		Q42			2SC4081	TRANSISTOR	
D801-803			B30-1743-05	LED		Q43 ,44			IRFB33N15DPBF	FET	
D910			1SS355	DIODE		Q45			2SC2713-F	TRANSISTOR	
D911			UDZW12(B)	ZENER DIODE		Q46 -51			IRFB33N15DPBF	FET	
D912			DAN202U	DIODE		Q52 -54			2SA1163-F	TRANSISTOR	
D913			1SS355	DIODE		Q55			2SC2713-F	TRANSISTOR	
IC1			TL494IDR	ANALOGUE IC		Q56 -58			2SC4081	TRANSISTOR	
IC2			BA4560RF	ANALOGUE IC		Q59			2SA1576A	TRANSISTOR	
IC4			BA4560RF	ANALOGUE IC		Q60			2SC4081	TRANSISTOR	
IC5 ,6			BA2903F	ANALOGUE IC		Q61			2SA1576A	TRANSISTOR	
IC7 ,8			SN74HC00D	MOS-IC		Q62			2SA1163-F	TRANSISTOR	
IC9			SN74HC02APWR	MOS-IC		Q63			2SC2713-F	TRANSISTOR	
IC10,11		*	IRS2011SPBF	MOS-IC		Q64			2SA1163-F	TRANSISTOR	
IC12			BA2903F	ANALOGUE IC		Q65			DTC114EUA	TRANSISTOR	
IC13			RC4580IDR	ANALOGUE IC		Q66			DTA114EUA	TRANSISTOR	
IC14			SN74HC00D	MOS-IC		Q67			DTC114EUA	TRANSISTOR	
IC15,16			BA4560RF	ANALOGUE IC		Q68			DTA114EUA	TRANSISTOR	
IC17,18			BA2903F	ANALOGUE IC		Q70			2SA1576A	TRANSISTOR	
IC19			BA4560RF	ANALOGUE IC		Q71 ,72			DTC114EUA	TRANSISTOR	
IC24-26			BA4560RF	ANALOGUE IC		Q73 ,74			2SC4081	TRANSISTOR	
IC51-53			BA4560RF	ANALOGUE IC		Q75			2SA1576A	TRANSISTOR	
IC55,56			BA4560RF	ANALOGUE IC		Q76 ,77			2SK879-F(GR)	FET	
IC61			NJM2172V-ZBTE2	ANALOGUE IC		Q78			DTC114EUA	TRANSISTOR	
IC62,63			BA4560RF	ANALOGUE IC		Q79			DTA114EUA	TRANSISTOR	
IC71			BA4560RF	ANALOGUE IC		Q80			DTC114EUA	TRANSISTOR	
IC73			BA4560RF	ANALOGUE IC		Q81			2SC4081	TRANSISTOR	
Q1 ,2			2SC4081	TRANSISTOR		Q82			DTC114EUA	TRANSISTOR	
Q3			2SB1189	TRANSISTOR		Q901,902			2SA1163-F	TRANSISTOR	
Q4			2SA1576A	TRANSISTOR		Q911			2SC5824	TRANSISTOR	
Q5			2SC4081	TRANSISTOR		TH1 -3			NCP18WB473J0S	THERMISTOR	
Q6			DTA114EUA	TRANSISTOR		TH14,15			NCP18XH103J0S	THERMISTOR	
Q8			DTA114EUA	TRANSISTOR							
Q9			DTC114EUA	TRANSISTOR							
Q10			2SA1576A	TRANSISTOR							

E1 : KAC-X1D (Europe) K : XR-1S (North America)

△ Indicates safety critical components.

PARTS LIST

Ref. No.	A d d	N e w	Parts No.	Description	Desti- nation	Ref. No.	A d d	N e w	Parts No.	Description	Desti- nation
SWITCH UNIT (REMOTECONTROL) (X16-6000-10)											
51	3A		A02-2738-02	PLASTIC CABINET	E1						
52	3B		A64-3541-22	PANEL	E1						
53	3B		B03-5094-24	DRESSING PLATE	E1						
D1			B30-1764-05	LED (3216 RED)	E1						
C1			CK73GB1H103K	CHIP C 0.010UF K	E1						
J1			E58-0966-15	RECTANGULAR RECEPTACLE	E1						
54	3B		F09-2884-04	SHEET	E1						
55	3B		F09-2885-04	SHEET	E1						
57	3B		K23-1093-03	KNOB	E1						
M	3B		N80-2008-43	PAN HEAD TAPTITE SCREW	E1						
R1			RK73GB2A153J	CHIP R 15K J 1/10W	E1						
R2			RK73GB2A822J	CHIP R 8.2K J 1/10W	E1						
R3			RK73GB2A471J	CHIP R 470 J 1/10W	E1						
VR1 ,2			R31-0243-05	VARIABLE RESISTOR 10K	E1						

E1 : KAC-X1D (Europe) K : XR-1S (North America)

△ Indicates safety critical components.