

(1) PACKING SECTION PARTS LIST

<u>Mark No.</u>	<u>Description</u>	<u>Part No.</u>	<u>Mark No.</u>	<u>Description</u>	<u>Part No.</u>
1	Protector	CHP4594	12-2	Quick Start Guide	See Contrast table (2)
2	Microphone Assy	CPM1083	12-3	Installation Manual	See Contrast table (2)
3	Holder	CZN7192	* 12-4	Caution Card	See Contrast table (2)
4	Cushion	CZN7193			
5	Case Assy	See Contrast table (2)	* 12-5	Caution Card	See Contrast table (2)
			* 12-6	Warranty Card	See Contrast table (2)
6	Cord Assy	See Contrast table (2)	* 12-7	Service Network	See Contrast table (2)
7	Polyethylene Bag	See Contrast table (2)	13	Card Remote Control Unit	See Contrast table (2)
8	Unit Box	See Contrast table (2)	14	Screw	See Contrast table (2)
9	Contain Box	See Contrast table (2)			
10	Handle	QNC3021	15	Polyethylene Bag	See Contrast table (2)
			16	Screw	See Contrast table (2)
11	IM CD ROM	See Contrast table (2)	17	Screw	See Contrast table (2)
12-1	Owner's Manual	See Contrast table (2)			

(2) CONTRAST TABLE

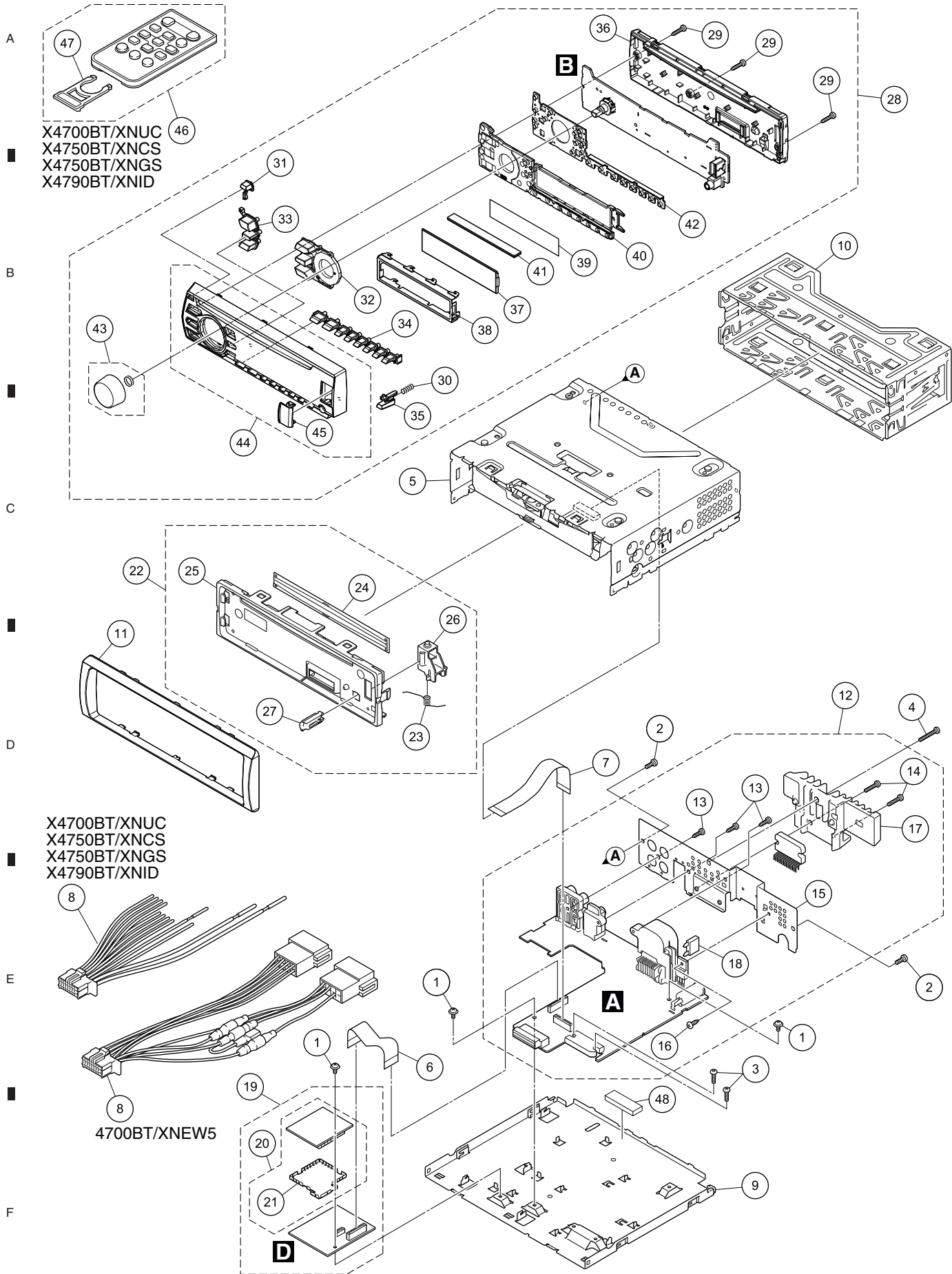
DEH-X4700BT/XNUC, DEH-4700BT/XNEW5, DEH-X4750BT/XNCS, DEH-X4750BT/XNGS and DEH-X4790BT/XNID are constructed the same except for the following:

Mark	No.	Description	DEH-X4700BT/ XNUC	DEH-4700BT/ XNEW5	DEH-X4750BT/ XNCS	DEH-X4750BT/ XNGS	DEH-X4790BT/ XNID
	5	Case Assy	Not used	QXA3129	QXA3129	QXA3129	QXA3129
	6	Cord Assy	CDP1480	QDP3071	CDP1480	CDP1480	CDP1480
	7	Polyethylene Bag	CEG1173	QEG3001	QEG3001	QEG3001	QEG3001
	8	Unit Box	QHG3671	QHG3666	QHG3667	QHG3668	QHG3670
	9	Contain Box	QHL3671	QHL3666	QHL3667	QHL3668	QHL3670
	11	IM CD ROM	Not used	QPJ3029	Not used	Not used	Not used
	12-1	Owner's Manual	QRD3265	QRB3457	QRD3266	QRD3267	QRB3466
	12-2	Quick Start Guide	Not used	QRD3263	Not used	Not used	Not used
	12-3	Installation Manual	Not used	QRD3264	Not used	Not used	Not used
*	12-4	Caution Card	Not used	CRP1438	Not used	Not used	Not used
*	12-5	Caution Card	Not used	CRP1441	Not used	Not used	Not used
*	12-6	Warranty Card	QRY3001	CRY1376	Not used	Not used	CRY1304
*	12-7	Service Network	Not used	Not used	Not used	Not used	CRY1305
	13	Card Remote Control Unit	QXE1044	Not used	QXE1044	QXE1044	QXE1044
	14	Screw	BPZ20P060FTC	Not used	Not used	Not used	Not used
	15	Polyethylene Bag	CEG1160	Not used	CEG1160	CEG1160	CEG1160
	16	Screw	CRZ50P090FTC	Not used	Not used	Not used	Not used
	17	Screw	TRZ50P080FTC	Not used	TRZ50P080FTC	TRZ50P080FTC	TRZ50P080FTC

Owner's Manual, Installation Manual

Part No.	Language
QRD3265	English, French, Spanish(Espanol)
QRB3457	Russian
QRD3263	English, French, Italian, Spanish(Espanol), German, Dutch, Russian
QRD3264	English, French, Italian, Spanish(Espanol), German, Dutch, Russian
QRD3266	English, Spanish(Espanol), Portuguese(B)
QRD3267	English, Traditional Chinese, Arabic, Persian

9.2 EXTERIOR



(1) EXTERIOR SECTION PARTS LIST

<u>Mark No.</u>	<u>Description</u>	<u>Part No.</u>	<u>Mark No.</u>	<u>Description</u>	<u>Part No.</u>
1	Screw	ASZ26P050FTC	26	Arm	QNV3025
2	Screw	BSZ26P060FTC	27	Button	QNV3026
3	Screw	BSZ26P080FTC	28	Detachable Grille Assy	See Contrast table (2)
4	Screw	BSZ26P120FTC	29	Screw	BPZ20P100FTC
5	CD Mechanism Module (S11.6VA)	CXK5805	30	Spring	CBH2210
6	FFC	QDE3028	31	Button (EJECT)	QAC3177
7	FFC	QDE3029	32	Button (SRC, PHONE, BAND)	QAC3178
8	Cord Assy	See Contrast table (2)	33	Button (DISP)	QAC3179
9	Case	QNB3022	34	Button (< > 1-6)	QAC3180
10	Holder	QNC3020	35	Button (DETACH)	QAC3181
11	Panel	QNS3568	36	Cover	QNS3808
12	Tuner Amp Unit	See Contrast table (2)	37	LCD (V1801)	CAW2055
13	Screw	BPZ26P080FTC	38	Holder	QNC3067
14	Screw	BSZ26P120FTC	39	Sheet	QNM3128
15	Holder	See Contrast table (2)	40	Lighting Conductor	QNV3098
16	Screw	BSZ26P060FTC	41	Rubber Connector	QNV3071
17	Heat Sink	See Contrast table (2)	42	Contact Rubber	QNV3102
18	Fuse (10 A)	YEK5001	43	Knob Unit	QXA3670
19	BT Unit	QWM3995	44	Grille Unit	See Contrast table (2)
20	BT Module	YWX5052	45	Door	QAT3014
21	Shield Case	YNC5123	46	Card Remote Control Unit	See Contrast table (2)
22	Panel Assy	QXA3261	47	Cover	See Contrast table (2)
23	Spring	QBH3001	48	Sheet	QNM3130
24	Cover	QNM3029			
25	Panel	QNS3126			

(2) CONTRAST TABLE

DEH-X4700BT/XNUC, DEH-4700BT/XNEW5, DEH-X4750BT/XNCS, DEH-X4750BT/XNGS and DEH-X4790BT/XNID are constructed the same except for the following:

Mark	No.	Description	DEH-X4700BT/ XNUC	DEH-4700BT/ XNEW5	DEH-X4750BT/ XNCS	DEH-X4750BT/ XNGS	DEH-X4790BT/ XNID
	8	Cord Assy	CDP1480	QDP3071	CDP1480	CDP1480	CDP1480
	12	Tuner Amp Unit	QWM3882	QWM3881	QWM3883	QWM3884	QWM3885
	15	Holder	QNC3053	QNC3054	QNC3053	QNC3053	QNC3053
	17	Heat Sink	QNR3010	QNR3010	QNR3010	QNR3002	QNR3002
	28	Detachable Grille Assy	QXA4215	QXA4210	QXA4212	QXA4212	QXA4214
	44	Grille Unit	QXA4248	QXA4243	QXA4245	QXA4245	QXA4247
	46	Card Remote Control Unit	QXE1044	Not used	QXE1044	QXE1044	QXE1044
	47	Cover	CNS7068	Not used	CNS7068	CNS7068	CNS7068

9.3 CD MECHANISM MODULE

A

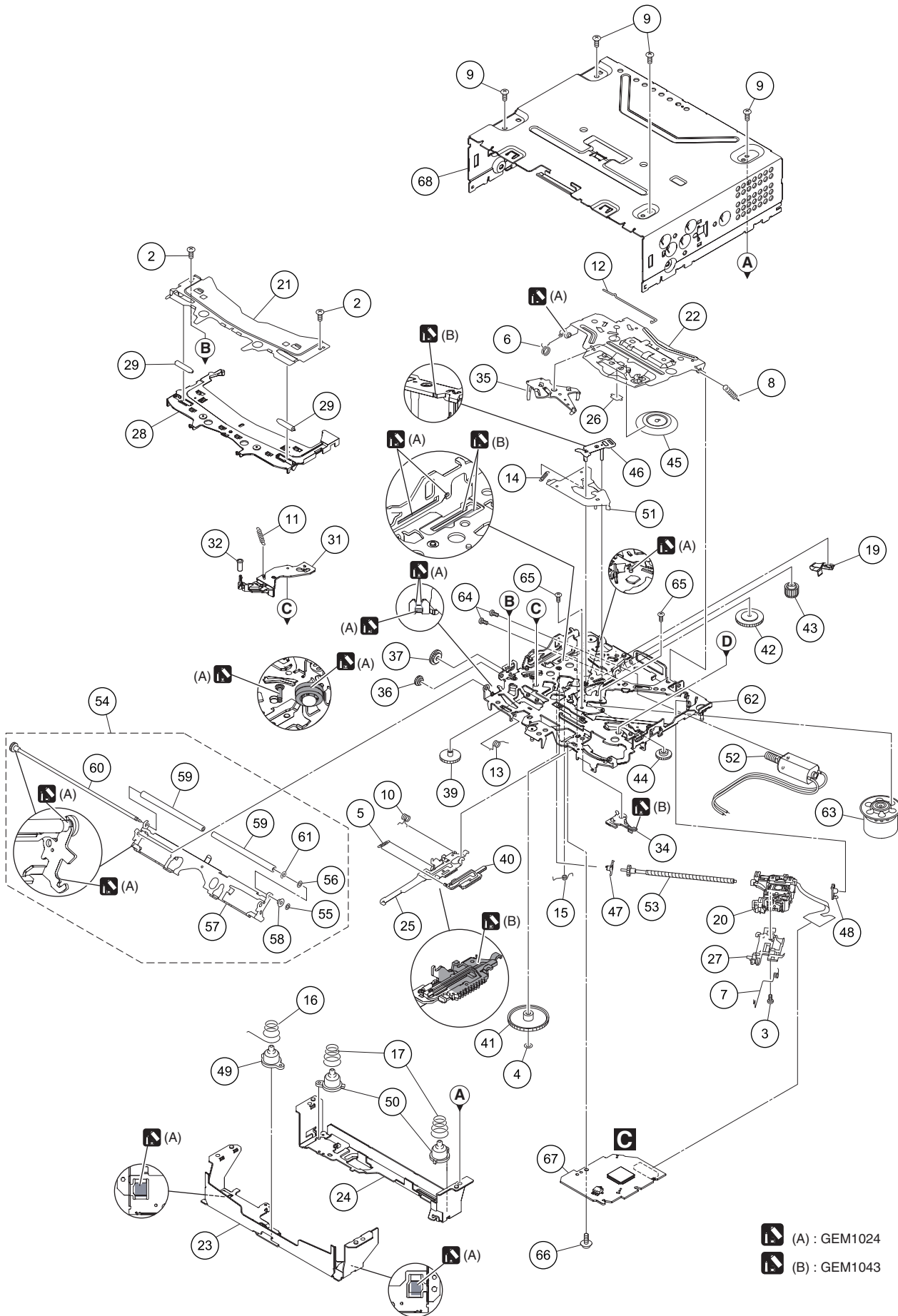
B

C

D

E

F



(A) : GEM1024
 (B) : GEM1043

CD MECHANISM MODULE SECTION PARTS LIST

<u>Mark No.</u>	<u>Description</u>	<u>Part No.</u>	<u>Mark No.</u>	<u>Description</u>	<u>Part No.</u>
1		50	Damper	CNW1198
2	Screw	BSZ20P040FTC	51	Arm	CNW1726
3	Screw(M2 x 4)	CBA1835	52	Motor Unit(M2)(LOAD/CRG)	CXC4026
4	Washer	CBF1038	53	Screw Unit	CXC8894
5	Spring	CBH3010	54	Arm Assy	CXE6232
6	Spring	CBH2855	55	Washer	CBF1037
7	Spring	CBH2856	56	Washer	CBF1038
8	Spring	CBH2860	57	Arm	CND6242
9	Screw	BSZ26P060FTC	58	Collar	CNW2444
10	Spring	CBH3011	59	Roller	CNW2500
11	Coil Spring	CBH3095	60	Gear Unit	CXE6225
12	Spring	CBH3014	61	Washer	YE15FTC
13	Spring	CBH3015	62	Chassis Unit	CXE4528
14	Spring	CBH3016	63	Motor Unit(M1)(SPDL)	CXE2273
15	Spring	CBH3017	64	Screw	JFZ20P025FTC
16	Spring	CBH3086	65	Screw	JGZ17P022FTC
17	Spring	CBH3019	66	Screw	EBA1028
18		67	CD Core Unit (S11.6VA)	CWX4269
19	Leaf Spring	CBL1824	68	Chassis	CNA3181
20	PU Unit(P11)(Service)	CXX4754			
21	Bracket	CND4553			
22	Arm	CND6406			
23	Bracket	CND6127			
24	Bracket	CND5710			
25	Lever	CND5398			
26	Sheet	CNN3678			
27	Rack	CNV8342			
28	Guide	CNW2240			
29	Roller	CNW1172			
30				
31	Arm	CNW2241			
32	Roller	CNW1175			
33				
34	Arm	CNW1177			
35	Arm	CNW1178			
36	Gear	CNW1180			
37	Gear	CNW1181			
38				
39	Gear	CNW1183			
40	Rack	CNW1184			
41	Gear	CNW1185			
42	Gear	CNW1186			
43	Gear	CNW1187			
44	Gear	CNW2287			
45	Clamper	CNW1190			
46	Arm	CNW1192			
47	Holder	CNW1193			
48	Holder	CNW1194			
49	Damper	CNW1197			

12. ELECTRICAL PARTS LIST

NOTE:

- Parts whose parts numbers are omitted are subject to being not supplied.
- The part numbers shown below indicate chip components.

Chip Resistor

RS1/○S○○○○J,RS1/○○S○○○○J

Chip Capacitor (except for CQS.....)

CKS....., CCS....., CSZS.....

- The \triangle mark found on some component parts indicates the importance of the safety factor of the part. Therefore, when replacing, be sure to use parts of identical designation.
- Meaning of the figures and others in the parentheses in the parts list.
Example) IC 301 is on the point (face A, 91 of x-axis, and 111 of y-axis) of the corresponding PC board.

IC 301 (A, 91, 111) IC NJM2068V

- The expression of the unit in this manual is shown by μ instead of m . Please do not make a mistake.

<u>Circuit Symbol and No.</u>	<u>Part No.</u>	<u>Circuit Symbol and No.</u>	<u>Part No.</u>
A:DEH-X4700BT/XNUC		MISCELLANEOUS	
B:DEH-4700BT/XNEW5		IC 201 (A,100,105) E-VOL SYS LSI	PM9013A
C:DEH-X4750BT/XNCS		IC 301 (A,77,141) IC	PAL013A
D:DEH-X4750BT/XNGS		IC 401 (A,144,85) IC	TEF6686HN
E:DEH-X4790BT/XNID		IC 451 (A,158,75) IC	MM3571A33P
Unit Number : QWM3882(A)		IC 531 (A,92,83) IC	337S3959
Unit Number : QWM3881(B)		IC 551 (A,18,110) IC	KBD9876EFJ
Unit Number : QWM3883(C)		IC 552 (A,105,23) IC	BD2232G-G
Unit Number : QWM3884(D)		IC 601 (A,109,76) FLASH BLANK UC IC	R5S726A0D216FP
Unit Number : QWM3885(E)		IC 671 (A,130,74) IC	S-80827CNMC-B8M
Unit Name : Tuner Amp Unit		IC 681 (A,113,93) FLASHROM IC(A)	* PEB153A8
Unit Number : (A,C,D,E)		(A,113,93) FLASHROM IC(B,C,D,E)	* PEB154A8
Unit Number : (B)		IC 801 (A,103,18) L-MOS And Gate	TC7SET08FUS1
Unit Name : Keyboard Unit		IC 911 (A,143,27) IC	BA49183-V12
Unit Number : CWX4269		Q 251 (A,12,129) Transistor(A,C,D,E)	EMH53
Unit Name : CD Core Unit(S11.6VA)		Q 252 (A,22,130) Transistor	EMH53
Unit Number : QWM3995		Q 301 (A,85,126) Transistor	EMD52
Unit Name : BT Unit		Q 531 (A,92,92) Transistor	LSAR523UB
		Q 601 (A,91,94) Transistor(D,E)	RN4982
		Q 751 (A,140,138) Transistor	KTD2092
		Q 752 (A,139,132) Transistor	EMD52
		Q 873 (A,148,70) Transistor	2SCR514PGZE
		Q 874 (A,148,64) Transistor	EMD52
		Q 876 (A,150,61) Transistor	2SAR502UB
		Q 877 (A,146,53) Transistor	LTC143EUB
		Q 941 (A,95,121) Transistor	LSCR523UB
		D 301 (A,103,124) Diode	CRG03
		D 302 (A,100,124) Diode	CRG03
		D 551 (A,21,123) Diode	CMS30I30A
		D 552 (A,20,103) Diode	RB056L-40
		D 601 (A,128,80) Diode(A,B)	RB751SM-40
		D 602 (A,132,69) Diode(A,B)	RB751SM-40
		D 751 (A,135,134) Diode	DZ2J082M0
		D 802 (A,91,16) Diode	DZ2S068C
		D 803 (A,125,14) Diode	DZ2S068C
		D 804 (A,118,12) Diode	DZ2S068C
		D 805 (A,119,12) Diode	DZ2S068C
		D 806 (A,114,12) Diode	DZ2S068C
		D 807 (A,112,12) Diode	DZ2S068C
A			
Unit Number : QWM3882(A)			
Unit Number : QWM3881(B)			
Unit Number : QWM3883(C)			
Unit Number : QWM3884(D)			
Unit Number : QWM3885(E)			
Unit Name : Tuner Amp Unit			

	1	2	3	4
	<u>Circuit Symbol and No.</u>	<u>Part No.</u>	<u>Circuit Symbol and No.</u>	<u>Part No.</u>
	D 871 (A,145,60) Diode	DZ2J100M0	R 437 (A,147,77)	RS1/16SS472J
	D 901 (A,139,126) Diode	D1F60-5053	R 438 (A,146,77)	RS1/16SS472J
	D 902 (A,136,126) Diode	D1F60-5053	R 452 (A,159,85)	RS1/16SS0R0J
A	D 911 (A,156,66) Diode	CRG03		
	D 912 (A,159,66) Diode	CRG03	R 453 (A,143,73) (A)	RS1/10SR0R0J
	D 941 (A,92,124) Diode(A,C,D,E)	DZ2J068M0	R 455 (A,161,88)	RS1/16SS0R0J
	(A,92,124) Diode(B)	DZ2J075M0	R 531 (A,90,89)	RS1/16SS473J
	L 202 (A,93,101) Inductor	CTF1793	R 532 (A,90,86)	RS1/16SS222J
	L 402 (A,137,91) Inductor(A,B,C)	LCTAW150J2520	R 533 (A,91,86)	RS1/16SS222J
	(A,137,91) Chip Coil(D,E)	LCTAW3R3J2520	R 534 (A,93,86)	RS1/16SS272J
	L 403 (A,137,95) Chip Coil(D,E)	LCTAWR27J2520	R 535 (A,94,86)	RS1/16SS472J
	L 404 (A,139,105) Inductor(A,B,C)	CTF1389	R 536 (A,96,87)	RS1/16SS472J
	L 406 (A,143,77) Inductor(A,B,C)	CTF1786	R 537 (A,94,83)	RS1/16SS101J
	L 408 (A,148,103) Inductor	LCMAR27J1608	R 538 (A,94,82)	RS1/16SS101J
B	L 410 (A,139,107) Inductor(D,E)	ATL7033	R 551 (A,24,110)	RS1/16SS682J
	L 551 (A,29,105) Inductor	CTH1584	R 552 (A,29,111)	RS1/16SS0R0J
	L 801 (A,113,16) Inductor	CTF1713	R 553 (A,26,111)	RS1/16SS1803D
	L 901 (A,111,140) Choke Coil 600 uH	CTH1432	R 554 (A,26,109)	RS1/16SS4302D
	T 401 (A,145,96) Variable Coil	CTC1215	R 555 (A,38,123)	RS1/10SR471J
	X 401 (A,153,85) Resonator 9.216 MHz	CSS1864		
	X 601 (A,125,74) Resonator 12.0 MHz	CSS1847	R 601 (A,93,68)	RS1/16SS473J
	X 603 (A,122,91) Resonator 16.93 MHz	CSS1794	R 602 (A,120,68)	RS1/16SS102J
	⚠ P251 (A,4,129) Fuse 3.0 A	CEK1386	R 603 (A,108,61)	RS1/16SS473J
	P 402 (A,154,108) Absorber	HSPC16701B02	R 604 (A,115,59) (B,C,D,E)	RS1/16SS473J
	VA801 (A,106,12) Varistor	MLV0402ES012V0010N	R 609 (A,121,63)	RS1/16SS473J
C	VA802 (A,100,12) Varistor	MLV0402ES012V0010N	R 610 (A,121,65)	RS1/16SS473J
	CN701 (A,112,31) Connector	VKN1192	R 611 (A,122,68)	RS1/16SS473J
	CN801 (A,108,3) Connector	CKS6452	R 613 (A,120,75)	RS1/16SS152J
	CN971 (A,92,48) Connector	VKN1192	R 614 (A,121,77)	RS1/16SS473J
	JA251 (A,17,137) Jack(A,C,D,E)	KKB1109	R 615 (A,129,77)	RS1/16SS473J
	(A,17,137) Pin Jack(B)	YKB5010		
	JA401 (A,156,128) Jack	YKS5041	R 616 (A,125,67)	RS1/16SS473J
	JA892 (A,41,140) Jack	CKN1103	R 617 (A,130,80)	RS1/16SS103J
	JA901 (A,112,140) Plug	CKM1624	R 618 (A,124,81) (A,B,E)	RS1/16SS473J
	⚠ Fuse (10 A)	YEK5001	(A,124,81) (D)	RS1/16SS103J
			R 619 (A,125,81) (C,D)	RS1/16SS473J
			(A,125,81) (E)	RS1/16SS103J
			R 622 (A,124,86)	RS1/16SS473J
D	<u>RESISTORS</u>		R 623 (A,128,84)	RAB4CQ473J
	R 251 (A,16,130) (A,C,D,E)	RS1/16SS821J	R 624 (A,118,88)	RS1/16SS222J
	R 252 (A,11,127) (A,C,D,E)	RS1/16SS821J	R 625 (A,112,89)	RS1/16SS221J
	R 253 (A,14,130) (A,C,D,E)	RS1/16SS223J	R 626 (A,111,88)	RS1/16SS221J
	R 254 (A,11,129) (A,C,D,E)	RS1/16SS223J	R 627 (A,110,87)	RS1/16SS221J
	R 255 (A,28,131)	RS1/16SS821J	R 628 (A,110,89)	RS1/16SS221J
	R 256 (A,18,130)	RS1/16SS821J	R 629 (A,107,90)	RS1/16SS221J
	R 257 (A,26,130)	RS1/16SS223J	R 630 (A,108,88)	RS1/16SS221J
	R 258 (A,20,130)	RS1/16SS223J	R 631 (A,106,91)	RS1/16SS473J
	R 305 (A,88,126)	RS1/16SS103J	R 632 (A,104,90)	RS1/16SS473J
E	R 306 (A,88,128)	RS1/16SS221J	R 633 (A,105,89)	RS1/16SS101J
	R 307 (A,87,127)	RS1/16SS223J	R 634 (A,101,87)	RS1/16SS102J
	R 309 (A,88,124)	RS1/16SS103J	R 636 (A,98,90)	RS1/16SS473J
	R 401 (A,145,91)	RS1/16SS0R0J	R 637 (A,99,89)	RS1/16SS473J
	R 402 (A,143,91)	RS1/16SS0R0J	R 638 (A,102,91)	RS1/16SS473J
	R 403 (A,135,91) (A,B,C)	RS1/16SS391J		
	(A,135,91) (D,E)	RS1/16SS101J	R 643 (A,98,81)	RS1/16SS104J
	R 404 (A,142,108)	RS1/16SS105J	R 644 (A,97,78)	RS1/16SS101J
	R 405 (A,147,108)	RS1/16SS105J	R 645 (A,94,78)	RS1/16SS101J
	R 406 (A,146,80)	RS1/16SS101J	R 646 (A,132,72) (A,B,C)	RS1/16SS103J
	R 407 (A,147,80)	RS1/16SS101J	(A,132,72) (D,E)	RS1/16SS1002F
F	R 408 (A,149,81)	RS1/16SS103J	R 647 (A,97,76)	RS1/16SS101J
	R 410 (A,148,81)	RS1/16SS103J	R 648 (A,94,75)	RS1/16SS102J
	R 422 (A,144,77) (D,E)	RS1/16SS0R0J	R 649 (A,94,74)	RS1/16SS102J
			R 650 (A,94,73)	RS1/16SS102J
			R 651 (A,96,70)	RS1/16SS473J
			R 652 (A,96,68)	RS1/16SS222J

5
Circuit Symbol and No.

6
Part No.

7
Circuit Symbol and No.

8
Part No.

R 653 (A,98,65)
R 655 (A,111,61)
R 656 (A,113,63)
R 659 (A,122,60)
R 660 (A,122,59)

R 664 (A,132,61)
R 665 (A,94,68)
R 667 (A,101,59)
R 671 (A,128,68)
R 681 (A,107,96)

R 682 (A,109,90)
R 683 (A,118,91)
R 684 (A,107,92)
R 685 (A,118,95)
R 687 (A,126,95) (D,E)

R 701 (A,107,37)
R 702 (A,112,37)
R 703 (A,116,27)
R 704 (A,109,39)
R 706 (A,106,35)

R 707 (A,108,37)
R 708 (A,109,37)
R 709 (A,110,37)
R 710 (A,111,37)
R 711 (A,112,38)

R 715 (A,115,35)
R 716 (A,116,35)
R 717 (A,117,35)
R 718 (A,121,35)
R 719 (A,120,35)

R 752 (A,142,133)
R 753 (A,126,90)
R 754 (A,126,91)
R 801 (A,123,20)
R 803 (A,119,17)

R 804 (A,117,17)
R 805 (A,119,18)
R 806 (A,117,19)
R 807 (A,118,19)
R 808 (A,122,19)

R 809 (A,114,20)
R 810 (A,112,20)
R 811 (A,147,56)
R 812 (A,111,20)
R 813 (A,106,15)

R 814 (A,100,18)
R 815 (A,98,18)
R 816 (A,95,18)
R 817 (A,93,18)
R 851 (A,91,19)

R 878 (A,122,25)
R 879 (A,154,66)
R 880 (A,148,60)
R 882 (A,149,66)
R 891 (A,56,136) (A,B,C)
(A,56,136) (D,E)

R 892 (A,56,135)
R 900 (A,53,135) (D,E)
R 911 (A,144,39)
R 912 (A,139,40)

RS1/16SS103J
RS1/16SS0R0J
RS1/16SS0R0J
RS1/16SS153J
RS1/16SS153J

RS1/16SS103J
RS1/16SS222J
RS1/16SS473J
RS1/16SS104J
RS1/16SS473J

RS1/16SS473J
RS1/16SS473J
RS1/16SS473J
RS1/16SS473J
RS1/10SR0R0J

RS1/16SS473J
RS1/16SS104J
RAB4CQ472J
RS1/16SS104J
RS1/16SS221J

RS1/16SS221J
RS1/16SS101J
RS1/16SS221J
RS1/16SS101J
RS1/16SS102J

RS1/16SS151J
RS1/16SS151J
RS1/16SS151J
RS1/16SS221J
RS1/16SS104J

RS1/4SA391J
RS1/16SS473J
RS1/16SS103J
RS1/10SR222J
RS1/16SS223J

RS1/16SS223J
RS1/10SR101J
RS1/10SR101J
RS1/10SR101J
RS1/10SR222J

RS1/10SR220J
RS1/10SR220J
RS1/16SS272J
RS1/10SR222J
RS1/10SR222J

RS1/10SR222J
RS1/16SS822J
RS1/10SR222J
RS1/10SR222J
RS1/16SS472J

RS1/10SR473J
RS1/10SR102J
RS1/16SS103J
RS1/16SS473J
RS1/16SS102J
RS1/16SS1001F

RS1/16SS102J
RS1/16SS471J
RS1/10SR1R0J
RS1/10SR1R0J

R 913 (A,152,40)

R 914 (A,129,39)
R 915 (A,138,120)
R 941 (A,92,121)
R 942 (A,93,121)
R 943 (A,93,124) (A,C,D,E)
(A,93,124) (B)

R 944 (A,97,123) (A,C,D,E)
(A,97,123) (B)

R 973 (A,88,61)
R 974 (A,96,54)
R 975 (A,96,53)
R 976 (A,96,51)

R 977 (A,90,73)
R 978 (A,88,69)

CAPACITORS

C 201 (A,99,116)
C 202 (A,103,115)
C 203 (A,91,115)
C 204 (A,106,114)
C 205 (A,92,115)

C 206 (A,106,111)
C 207 (A,93,107)
C 208 (A,93,105)
C 209 (A,92,103) 10 uF
C 210 (A,94,105)

C 211 (A,108,106)
C 212 (A,106,108) 10 uF
C 213 (A,107,105)
C 214 (A,107,103)
C 215 (A,107,101)

C 216 (A,91,100) 10 uF
C 217 (A,93,99)
C 218 (A,113,108)
C 219 (A,111,102) 10 uF
C 220 (A,104,97) 10 uF

C 221 (A,94,103)
C 223 (A,90,100) 1 uF
C 224 (A,113,102)
C 227 (A,90,108) (B,C)
C 229 (A,109,111) 1 uF

C 236 (A,108,103)
C 251 (A,33,127) 10 uF(A,C,D,E)
C 252 (A,15,126) 10 uF(A,C,D,E)
C 253 (A,15,129) (A,C,D,E)
C 254 (A,10,129) (A,C,D,E)

C 255 (A,33,131) 10 uF
C 256 (A,29,129) 10 uF
C 257 (A,25,130)
C 258 (A,19,130)
C 260 (A,32,136)

C 261 (A,4,132)
C 301 (A,68,128)
C 303 (A,78,128)
C 305 (A,72,129)
C 307 (A,76,128)

C 313 (A,82,129) 2.2 uF
C 314 (A,134,125)

RS1/16SS223J

RS1/16SS223J
RS1/10SR0R0J
RS1/16SS223J
RS1/16SS473J
RS1/16SS682J
RS1/16SS333J

RS1/4SA102J
RS1/4SA122J
RS1/16SS222J
RS1/16SS101J
RS1/16SS101J

RS1/16SS0R0J
RS1/16SS0R0J

CKSRYB105K10
CKSRYB105K10
CKSRYB105K10
CKSRYB105K10
CKSRYB105K10

CKSRYB105K10
CKSSYB104K10
CKSSYB104K10
CCG1192
CCSSCH151J50

CCSSCH151J50
CCG1192
CKSSYB104K10
CKSSYB104K10
CKSSYB104K10

CCG1192
CKSSYB104K10
XCEVW470M16
CCG1192
CCG1192

CKSSYB102K50
DCH1246
CKSSYB104K10
CKSSYB102K50
DCH1246

CKSRYB105K10
DCH1201
DCH1201
CCSSCH101J50
CCSSCH101J50

DCH1201
DCH1201
CCSSCH101J50
CCSSCH101J50
CKSSYB104K10

CKSSYB103K16
CKSRYB474K10
CKSRYB474K10
CKSRYB474K10
CKSRYB474K10

CCG1205
CKSRYB104K16

	1	2	3	4
	<u>Circuit Symbol and No.</u>	<u>Part No.</u>	<u>Circuit Symbol and No.</u>	<u>Part No.</u>
	C 318 (A,63,129) 10 uF/16 V	DCH1263	C 624 (A,104,87)	CKSSYB104K10
	C 322 (A,104,125)	CKSRYB104K16	C 625 (A,102,89)	CKSSYB104K10
	C 327 (A,86,128)	CKSRYB105K10	C 626 (A,98,79)	CKSSYB104K10
A	C 328 (A,51,129) 2.2 uF	CCG1205	C 627 (A,95,80)	CCSSCH220J50
	C 407 (A,151,91)	CKSSYB104K10	C 628 (A,94,79)	CCSSCH220J50
	C 409 (A,147,90)	CKSSYB224K6R3	C 629 (A,98,74)	CKSSYB104K10
	C 410 (A,146,103)	CCSSCH220J50	C 630 (A,97,72)	CKSSYB103K16
	C 411 (A,144,103)	CCSSCH331J50	C 631 (A,95,76)	CCSSCH220J50
	C 414 (A,138,88)	CKSSYB102K50	C 635 (A,111,98) (B,C,D,E)	CKSSYB104K10
	C 416 (A,139,97) (D,E)	CCSSCH120J50	C 641 (A,95,88)	CCSRCH330J50
	C 417 (A,138,97) (D,E)	CCSSCK1R0C50	C 672 (A,122,72) 1 uF	DCH1246
	C 418 (A,139,102) (D,E)	CCSSCK2R0C50	C 683 (A,119,93)	CCSSCJ3R0C50
	C 419 (A,139,103) (D,E)	CCSSCK1R0C50	C 685 (A,118,98) (D,E)	CKSRYB105K10
	C 420 (A,145,107)	CCSSCH471J50	C 687 (A,121,96)	CKSRYB105K10
B	C 422 (A,139,85)	CKSSYB152K50	C 701 (A,110,39)	CKSSYB103K16
	C 425 (A,148,88)	CCSSCH390J50	C 704 (A,118,38)	CCSSCH100D50
	C 428 (A,141,89)	CKSSYB104K10	C 705 (A,117,38)	CCSSCH100D50
	C 430 (A,147,91)	CKSSYB102K50	C 706 (A,115,37)	CCSSCH100D50
	C 434 (A,152,103)	CCSSCH100D50	C 710 (A,122,47)	CKSRYB104K16
	C 442 (A,143,79) 10 uF	DCH1201	C 752 (A,138,135)	CKSSYB104K10
	C 452 (A,154,78)	CKSRYB104K16	C 753 (A,146,129) 10 uF	DCH1201
	C 453 (A,158,71)	CKSRYB105K10	C 754 (A,136,112) (B,C,D,E)	CKSSYB102K50
	C 455 (A,143,74) (A)	CKSSYB102K50	C 801 (A,122,5)	CCSRCH102J50
	C 456 (A,143,75) 1 uF	DCH1246	C 806 (A,123,7)	CKSRYB104K16
C	C 458 (A,138,80)	CKSSYB102K50	C 807 (A,120,13)	CKSRYB105K10
	C 459 (A,149,105)	CKSRYB104K16	C 808 (A,107,18)	CKSRYB104K16
	C 463 (A,140,74) (D,E)	CKSSYB104K10	C 809 (A,95,15)	CCSRCH221J50
	C 531 (A,90,88)	CKSSYB104K10	C 810 (A,95,12)	CCSRCH221J50
	C 532 (A,92,87)	CKSSYB104K10	C 811 (A,102,20)	CKSSYB104K10
	C 551 (A,11,120)	XCEVW221M16	C 812 (A,111,12)	CKSRYB104K16
	C 552 (A,11,106)	CKSRYB105K16	C 871 (A,146,60)	CKSSYB104K16
	C 553 (A,13,109)	CKSSYB103K16	C 873 (A,122,23)	CCSRCH101J50
	C 555 (A,23,111)	CKSSYB682K25	C 891 (A,51,137)	CKSRYB104K16
	C 556 (A,30,119)	CEVQW221M6R3	C 892 (A,32,138)	CKSRYB104K16
	C 557 (A,31,115)	CKSRYB105K10	C 893 (A,32,134)	CKSRYB102K50
D	C 560 (A,107,20)	CKSRYB105K10	C 894 (A,51,133)	CKSRYB102K50
	C 561 (A,101,23)	CKSRYB105K10	C 901 (A,131,123)	CCH2040
	C 564 (A,31,113) 4.7 uF	CCG1201	C 911 (A,137,116)	CKSRYB104K16
	C 565 (A,13,105) 4.7 uF	CCG1222	C 912 (A,150,39)	CKSSYB102K50
	C 601 (A,103,64)	CKSSYB104K10	C 913 (A,129,42)	CKSSYB102K50
	C 602 (A,107,64)	CKSSYB104K10	C 914 (A,155,55)	XCEAT102M16
	C 603 (A,110,64)	CKSSYB104K10	C 915 (A,131,41)	CKSRYB104K16
	C 604 (A,111,64)	CKSSYB104K10	C 916 (A,146,42) 10 uF	DCH1201
	C 605 (A,115,64)	CKSSYB104K10	C 917 (A,144,45)	CKSSYB102K50
	C 606 (A,120,70)	CKSSYB104K10	C 919 (A,149,40) 10 uF	DCH1201
	C 607 (A,125,72)	CCSSCH120J50	C 921 (A,133,41) 10 uF	DCH1201
E	C 608 (A,125,77)	CCSSCH120J50	C 923 (A,158,40) 10 uF	DCH1201
	C 609 (A,120,72) (A,B,C)	CKSSYB104K10	C 926 (A,138,43) 10 uF	DCH1201
	(A,120,72) (D,E)	CCSSCH101J50	C 927 (A,138,41)	CKSSYB102K50
	C 610 (A,120,74) (A,B,C)	CKSSYB104K10	C 941 (A,95,124)	CKSRYB104K16
	(A,120,74) (D,E)	CKSSYB102K50	C 973 (A,96,52)	CCSSCH470J50
	C 611 (A,120,76)	CKSSYB102K50	C 1013 (A,136,76)	CKSRYB104K16
	C 612 (A,121,81)	CKSSYB104K10		
	C 613 (A,122,81)	CKSSYB104K10		
	C 618 (A,122,88)	CCSSCH120J50		
	C 619 (A,121,93)	CCSSCH120J50		
F	C 620 (A,112,87)	CKSSYB104K10		
	C 621 (A,107,87)	CKSSYB104K10		
	C 622 (A,104,92)	CCSSCH220J50		
	C 623 (A,105,87)	CKSSYB104K10		

B
Unit Number : (A,C,D,E)
Unit Number : (B)
Unit Name : Keyboard Unit

5		6	
<u>Circuit Symbol and No.</u>		<u>Part No.</u>	
MISCELLANEOUS			
IC 1801	(B,83,20) IC	PD6586A8	
IC 1941	(A,156,37) IR RC REC Module(A,C,D,E)	SIR8440B5	
Q 1951	(B,15,13) Transistor(A,C,D,E)	LTC014EEB	
Q 1952	(B,15,17) Transistor(B)	LTC014EEB	
D 1951	(A,63,20) LED	SWBA05(FI231719)	
D 1952	(A,9,36) LED(A,C,D,E)	FC-F1608BK-470H5	
D 1953	(A,54,15) LED(A,C,D,E)	FC-F1608BK-470H5	
D 1954	(A,50,7) LED(A,C,D,E)	FC-F1608BK-470H5	
D 1955	(A,53,25) LED(A,C,D,E)	FC-F1608BK-470H5	
D 1956	(A,58,3) LED(A,C,D,E)	FC-F1608BK-470H5	
D 1957	(A,72,3) LED(A,C,D,E)	FC-F1608BK-470H5	
D 1958	(A,86,3) LED(A,C,D,E)	FC-F1608BK-470H5	
D 1959	(A,96,3) LED(A,C,D,E)	FC-F1608BK-470H5	
D 1960	(A,107,3) LED(A,C,D,E)	FC-F1608BK-470H5	
D 1961	(A,117,3) LED(A,C,D,E)	FC-F1608BK-470H5	
D 1962	(A,127,3) LED(A,C,D,E)	FC-F1608BK-470H5	
D 1963	(A,138,3) LED(A,C,D,E)	FC-F1608BK-470H5	
D 1964	(A,12,31) LED(A,C,D,E)	FC-F1608BK-470H5	
D 1965	(A,12,6) LED(A,C,D,E)	FC-F1608BK-470H5	
D 1966	(A,10,18) LED(A,C,D,E)	FC-F1608BK-470H5	
D 1968	(A,10,17) LED(B)	FC-1608SXX630D08	
D 1969	(A,52,7) LED(B)	FC-1608SXX630D08	
D 1970	(A,51,30) LED(B)	FC-1608SXX630D08	
D 1971	(A,12,29) LED(B)	FC-1608SXX630D08	
D 1972	(A,12,5) LED(B)	FC-1608SXX630D08	
D 1973	(A,73,3) LED(B)	FC-1608SXX630D08	
D 1974	(A,59,3) LED(B)	FC-1608SXX630D08	
D 1975	(A,108,3) LED(B)	FC-1608SXX630D08	
D 1976	(A,98,3) LED(B)	FC-1608SXX630D08	
D 1977	(A,87,3) LED(B)	FC-1608SXX630D08	
D 1978	(A,139,3) LED(B)	FC-1608SXX630D08	
D 1979	(A,129,3) LED(B)	FC-1608SXX630D08	
D 1980	(A,118,3) LED(B)	FC-1608SXX630D08	
D 1981	(A,53,20) LED(B)	FC-1608SXX630D08	
D 1982	(A,9,39) LED(B)	FC-1608SXX630D08	
X 1801	(B,68,23) Ceramic Resonator 5.00 MHz	CSS1547	

S 1839	(A,32,18) Encoder(MULTI-CONTROL)	CSD1193	
CN1931	(B,107,7) Connector	CKS6451	
JA 1911	(A,157,23) Connector	CKS6443	
JA 1921	(A,153,7) Jack	CKN1090	
V 1801	(A,140,30) LCD	CAW2055	

RESISTORS

R 1801	(B,88,11)	RS1/10SR473J	
R 1802	(B,63,19)	RS1/10SR473J	
R 1803	(B,73,22)	RS1/10SR222J	
R 1805	(B,46,25)	RS1/10SR473J	
R 1806	(B,48,26)	RS1/10SR473J	
R 1807	(B,46,29)	RS1/10SR473J	
R 1808	(B,45,29)	RS1/10SR473J	
R 1823	(B,44,25)	RS1/10SR273J	
R 1921	(B,130,7)	RS1/10SR0R0J	
R 1922	(B,127,10)	RS1/10SR0R0J	
R 1923	(B,128,4)	RS1/10SR0R0J	
R 1931	(B,45,16)	RS1/10SR222J	
R 1932	(B,39,8)	RS1/10SR222J	
R 1941	(B,127,23) (B)	RS1/10SR473J	
R 1944	(B,131,25) (A,C,D,E)	RS1/10SR101J	

7		8	
<u>Circuit Symbol and No.</u>		<u>Part No.</u>	
R 1951	(B,57,19)	RS1/4SA151J	
R 1952	(B,57,21)	RS1/4SA151J	
R 1954	(B,8,25) (A,C,D,E)	RS1/10SR152J	
R 1956	(B,50,20) (A,C,D,E)	RS1/10SR102J	
R 1958	(B,25,8) (A,C,D,E)	RS1/10SR102J	
R 1960	(B,16,20) (A,C,D,E)	RS1/10SR821J	
R 1962	(B,86,7) (A,C,D,E)	RS1/10SR681J	
R 1964	(B,51,13) (A,C,D,E)	RS1/10SR681J	
R 1966	(B,139,17) (A,C,D,E)	RS1/10SR681J	
R 1968	(B,22,30) (A,C,D,E)	RS1/10SR222J	
R 1969	(B,20,8) (A,C,D,E)	RS1/10SR682J	
R 1972	(B,20,11) (A,C,D,E)	RS1/10SR0R0J	
R 1973	(B,18,16) (B)	RS1/10SR0R0J	
R 1975	(B,10,17) (B)	RS1/10SR562J	
R 1978	(B,50,13) (B)	RS1/10SR102J	
R 1980	(B,14,25) (B)	RS1/10SR272J	
R 1982	(B,82,7) (B)	RS1/10SR122J	
R 1984	(B,57,12) (B)	RS1/10SR821J	
R 1986	(B,137,17) (B)	RS1/10SR821J	
R 1988	(B,49,22) (B)	RS1/10SR122J	
R 1990	(B,20,30) (B)	RS1/10SR152J	
R 1991	(B,47,7) (A,C,D,E)	RS1/10SR0R0J	
R 1996	(B,60,7) (B)	RS1/10SR0R0J	

CAPACITORS

C 1806	(B,66,22)	CKSRYB104K16	
C 1807	(B,64,22)	CKSRYB105K10	
C 1912	(B,142,20)	CKSRYB102K50	
C 1941	(B,135,28) 10 uF(A,C,D,E)	CCG1192	



Unit Number : CWX4269

Unit Name : CD Core Unit(S11.6VA)

MISCELLANEOUS

IC 201	(B,24,38) IC	PEQ094A	
IC 301	(A,37,12) IC	BD8223EFV	
Q 101	(B,12,54) Transistor	2SA1577	
Q 102	(B,16,55) Chip Digital Transistor	LTA123JUB	
X 201	(B,25,50) Ceramic Resonator 16.934 MHz	CSS1603	
S 901	(A,43,54) Spring Switch(HOME)	CSN1080	
S 903	(B,22,13) Spring Switch(DSCSNS)	CSN1081	
CN101	(A,17,58) Connector	CKS4808	
CN701	(A,26,30) Connector	CKS6146	

RESISTORS

R 101	(B,7,59)	RS1/10SR2R4J	
R 102	(B,8,59)	RS1/10SR2R4J	
R 103	(B,10,59)	RS1/10SR2R7J	
R 108	(B,14,58)	RS1/16SS105J	
R 109	(B,15,50)	RS1/16SS152J	
R 214	(B,18,28)	RS1/16SS103J	
R 215	(B,17,28)	RS1/16SS393J	
R 216	(B,13,36)	RS1/16SS102J	
R 217	(B,10,33)	RS1/16SS562J	
R 218	(B,10,36)	RS1/16SS472J	
R 229	(B,13,35)	RS1/16SS471J	
R 232	(A,31,55)	RS1/16SS0R0J	

