

EXPLODED VIEW/PARTS LIST

Main section

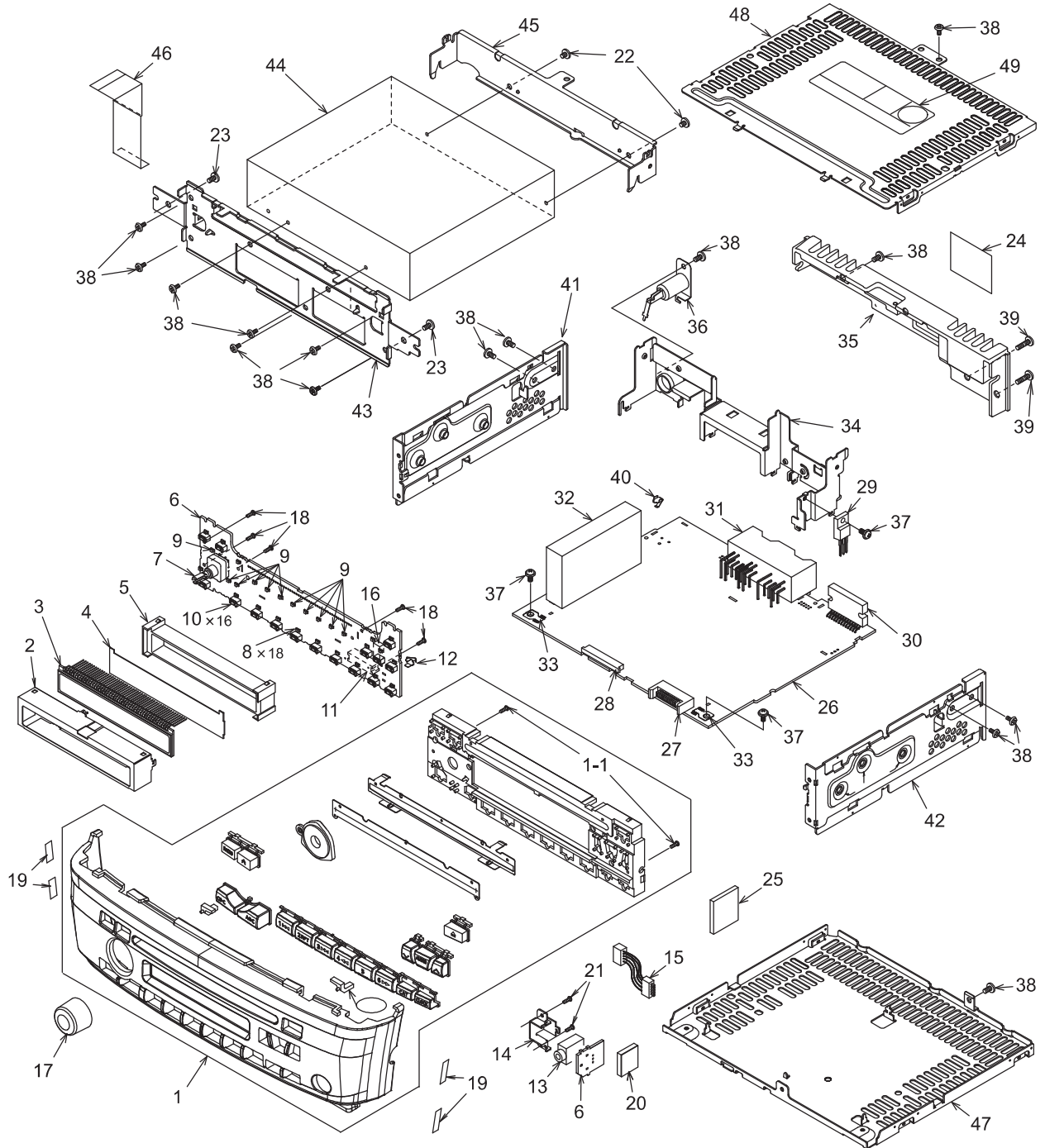
Note)Some parts depend on each model.The model name is specified in the description .
(M-G;PN-2591M-G, M-J;PN-2591M-J)

NO.	PART NO.	DESCRIPTION	Q'TY
1	940-8019-75 940-8019-79	ESCUTCHEON ASSY(M-G) ESCUTCHEON ASSY(M-J)	1
1-1	716-0872-00	PAD SCREW	2
2	331-3621-00	LCD COVER	1
3	379-1268-30	LCD INDICATOR	1
4	335-6968-00	COLOR FILTER	1
5	335-6967-80	LCD HOLDER	1
6	-----	SWITCH PWB	1
7	016-0010-09	VR-W/SHAFT	1
8	001-7063-91	LED(YEL)	18
9	001-7048-96	LED(YEL)	11
10	013-6302-50	SWITCH	16
11	074-1279-70	OUTLET SOCKET(20P)	1
12	073-0774-00	TERMINAL	1
13	075-0306-00	JACK	1
14	331-3623-00	JACK HOLDER	1
15	854-4562-00	EXTENSION LEAD	1
16	076-0478-55	PLUG	1
17	380-5562-80	KNOB	1
18	716-0872-00	PAD SCREW(M1.7 x 5)	5
19	347-2510-00	CUSHION TAPE	4
20	345-5324-00	CUSHION RUBBER	1

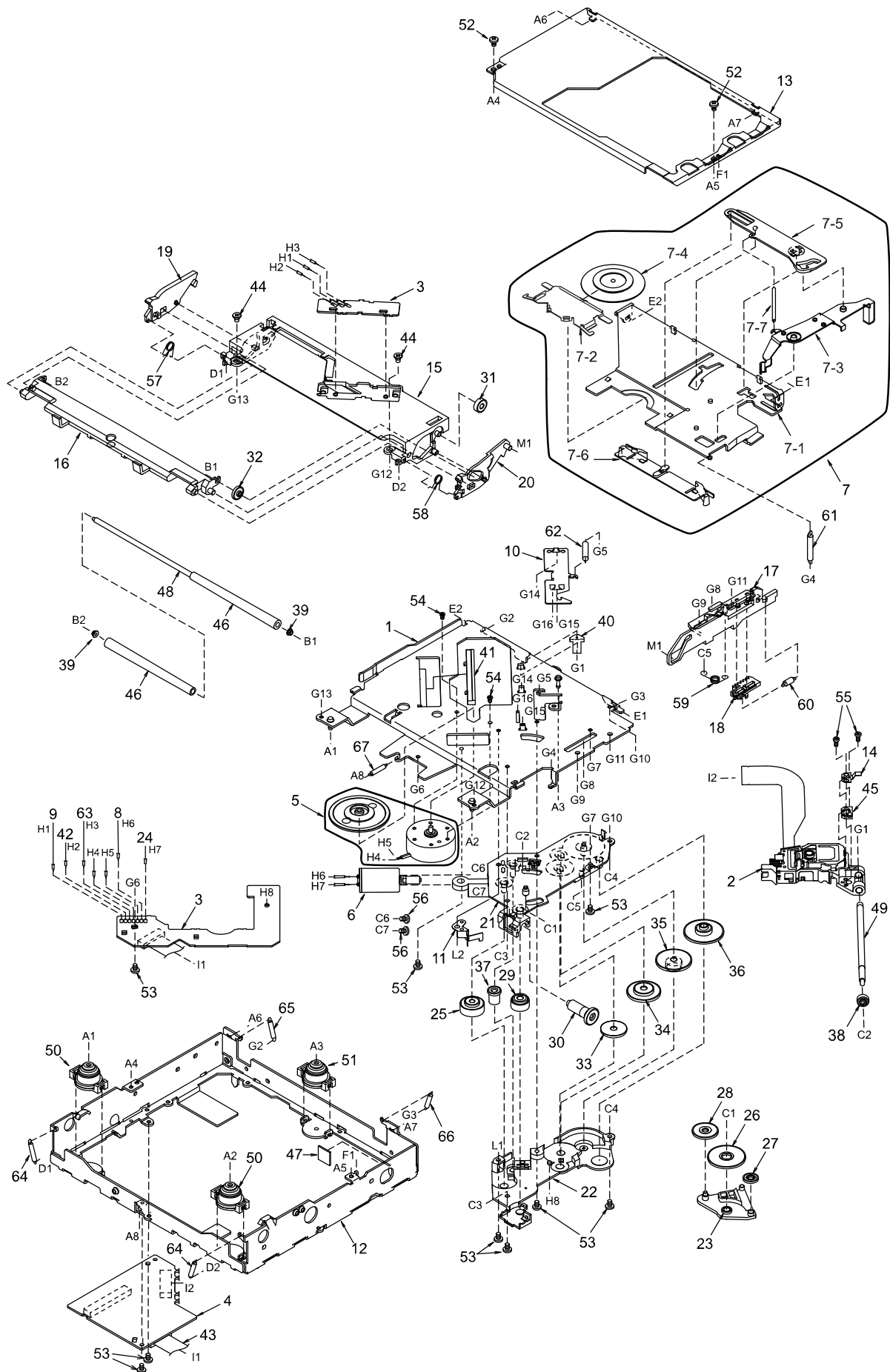
NO.	PART NO.	DESCRIPTION	Q'TY
21	716-0778-00	WAVE SCREW	2
22	714-2603-81	MACHINE SCREW(M2.6 x 3)	2
23	702-3008-81	TAP SCREW	2
24	347-5206-00	SHIELD SHEET	1
25	345-5325-00	CUSHION RUBBER	1
26	-----	MAIN PWB	1
27	076-0648-20	PLUG(20P)	1
28	074-1191-26	OUTLET SOCKET(26P)	1
29	103-2012-00	TRANSISTOR	1
30	051-2042-00	IC(TA8275H)	1
31	074-1068-11	OUTLET SOCKET	1
32	880-1921R	AM/FM TUNER	1
33	073-0762-90	TERMINAL	2
34	307-0683-05	REAR PLATE	1
35	313-1931-10	HEAT SINK	1
36	092-0702-00	ANT RECEPT	1
37	716-0878-00	IT SCREW(M2.6 x 5)	3
38	714-2606-81	MACHINE SCREW(M2.6 x 6)	15
39	714-2612-81	MACHINE SCREW(M2.6 x 12)	2
40	073-0774-00	TERMINAL	1
41	305-0316-00	SIDE PLATE(L)	1
42	305-0317-00	SIDE PLATE(R)	1

NO.	PART NO.	DESCRIPTION	Q'TY
43	331-3624-00	ES-PLATE	1
44	929-0220-86	CD MECHANISM	1
45	331-3254-20	MECH-BRACKET	1
46	816-2549-00	FLAT WIRE	1

NO.	PART NO.	DESCRIPTION	Q'TY
47	311-1833-20	LOWER CASE	1
48	310-1739-20	UPPER CASE	1
49	286-9269-35 286-9269-39	SETPLATE(M-G) SETPLATE(M-J)	1 1



CD mechanism section



NO.	PART NO.	DESCRIPTION	Q'TY	NO.	PART NO.	DESCRIPTION	Q'TY
1	966-0595-25	DRIVE PLATE ASSY	1	31	621-0614-20	ROLLER GEAR C	1
2	969-0060-30	PICK UP UNIT	1	32	621-0615-21	ROLLER GEAR D	1
3	-----	LED PWB	1	33	621-0616-20	POWER GEAR A	1
4	-----	CD PWB	1	34	621-0617-20	POWER GEAR B	1
5	SMA-182-100	MOTOR ASSY(SPINDLE)	1	35	621-0618-20	POWER GEAR C	1
6	SMA-183-100	MOTOR ASSY(SLED)	1	36	621-0619-20	POWER GEAR D	1
7	HBS-524-100	CLAMPER SUB ASSY	1	37	621-0620-20	THREAD GEAR A	1
7-1	620-1022-25	CLAMPER LINK	1	38	621-0621-20	THREAD GEAR B	1
7-2	620-1023-23	CLAMPER PLATE	1	39	621-0622-21	ROLLER SLEEVE	2
7-3	620-1721-20	SENSOR ARM	1	40	621-0623-23	LS-HOLDER	1
7-4	621-0708-20	CLAMPER RING	1	41	621-0624-22	GUIDE RAIL	1
7-5	621-0626-21	STOPPER LINK	1	42	816-2593-00	LEAD WIRE(PUR)	1
7-6	621-0627-21	DISC STOPPER	1	43	816-2542-01	FLAT WIRE(10P)	1
7-7	750-3471-20	SENSOR SPRING	1	44	716-3473-00	SCREW	2
8	803-4906-60	VINYL COAT WIRE(ORG)	1	45	621-0709-20	SH-BASE	1
9	816-2591-00	LEAD WIRE(YEL)	1	46	621-0629-20	LOADING ROLLER	2
10	620-1025-22	ID-LOCK PLATE	1	47	345-5476-20	CUSHION RUBBER	1
11	620-1026-21	SPRING PLATE	1	48	622-1664-20	ROLLER SHAFT	1
12	620-1027-27	LOWER CHASSIS	1	49	624-0018-01	LEAD SCREW	1
13	620-1028-23	UPPER CHASSIS	1	50	629-0081-21	DAMPER F	2
14	966-0638-20	SH-RACK ASSY	1	51	629-0082-21	DAMPER R	1
15	621-0598-27	UPPER GUIDE	1	52	714-2003-81	MACHINE SCREW	2
16	621-0718-21	ROLLER GUIDE	1	53	716-1507-00	SCREW	9
17	621-0600-26	SHIFT LEVER	1	54	716-1733-00	SCREW	2
18	621-0601-21	RACK	1	55	716-3469-00	SCREW	2
19	621-0602-22	LOCK ARM L	1	56	716-3446-00	SCREW	2
20	621-0603-25	LOCK ARM R	1	57	750-3465-21	ROLLER SPRING L	1
21	621-0724-21	GEAR BASE	1	58	750-3466-20	ROLLER SPRING R	1
22	621-0605-22	GEAR COVER	1	59	750-3467-21	SHIFT SPRING	1
23	621-0606-21	IDLE CASE	1	60	750-3468-20	RACK SPRING	1
24	816-2590-00	VINYL COAT WIRE(GRN)	1	61	750-3469-20	CLAMPER SPRING	1
25	621-0608-21	SECOND GEAR	1	62	750-3470-20	ID-LOCK SPRING	1
26	621-0609-20	BASE GEAR	1	63	816-2592-00	LEAD WIRE(BLU)	1
27	621-0610-20	IDLE GEAR A	1	64	750-3472-21	DR-SPRING F	2
28	621-0611-20	IDLE GEAR B	1	65	750-3473-20	DR-SPRING RA	1
29	621-0612-21	ROLLER GEAR A	1	66	750-3474-20	DR-SPRING RB	1
30	621-0613-20	ROLLER GEAR B	1	67	750-3475-21	DR-SPRING C	1

ELECTRICAL PARTS LIST

Main PWB section(B1)

Note) Several different parts of the same reference number are alternative parts.
One of those parts is used in the set.

REF No.	PART No.	DESCRIPTION	REF No.	PART No.	DESCRIPTION	REF No.	PART No.	DESCRIPTION
ANT101	092-0702-00	ANT RECEPT	C213	184-3373-29	10V330uF	C341	182-1063-39	16V10uF
BL101	880-1921R	AM/FM TUNER	C214	168-1042-78	16V 0.1uF	C342	168-1832-55	0.018uF
C104	119-0000-05	1/16W 0 ohm JW	C215	184-3373-29	10V330uF	C343	182-1063-39	16V10uF
C114	166-1007-50	10pF CH	C216	168-1042-78	16V 0.1uF	C344	182-1063-39	16V10uF
C115	043-0277-51	0.022uF	C217	042-0403-55	16V33uF	C345	182-1063-39	16V10uF
C117	043-0277-51	0.022uF	C218	042-0403-55	16V33uF	C346	182-1063-39	16V10uF
C118	168-1022-55	1000pF	C219	168-1022-55	1000pF	C553	117-0000-05	1/8W 0 ohm JW
C119	182-1073-29	10V100uF	C301	168-4722-55	4700pF	C554	117-0000-05	1/8W 0 ohm JW
C120	042-0458-90	50V1uF	C303	183-4763-39	16V47uF	C555	117-0000-05	1/8W 0 ohm JW
C122	182-1073-29	10V100uF	C305	166-2201-50	22pF CH	C556	117-0000-05	1/8W 0 ohm JW
C123	182-1073-29	10V100uF	C306	184-2273-28	10V220uF	C565	168-1032-55	0.01uF
C125	182-4763-39	16V47uF	C307	183-1063-39	16V10uF	C566	168-2232-55	0.022uF
C126	183-1056-68	50V1uF NP	C315	182-2263-19	6.3V22uF	C567	168-1032-55	0.01uF
C127	168-8222-55	8200pF	C316	182-1053-69	50V1uF	C568	178-3332-78	0.033uF
C128	168-4732-78	0.047uF	C317	168-1042-78	16V 0.1uF	C569	178-3332-78	0.033uF
C129	168-4732-78	0.047uF	C318	178-1042-78	0.1uF	C570	178-3332-78	0.033uF
C130	166-1201-50	12pF CH	C319	178-1042-78	0.1uF	C571	178-3332-78	0.033uF
C131	166-2201-50	22pF CH	C320	168-1042-78	16V 0.1uF	C573	182-1053-69	50V1uF
C132	166-2201-50	22pF CH	C321	182-1053-69	50V1uF	C574	183-2253-69	50V2.2uF
C133	166-1501-50	15pF CH	C322	178-3942-78	0.39uF	C582	183-1053-69	50V1uF
C134	168-1022-55	1000pF	C323	178-3942-78	0.39uF	C583	178-2242-78	0.22uF
C135	168-1042-78	16V 0.1uF	C325	182-1053-69	50V1uF	C701	172-1041-15	0.1uF
C136	168-1042-78	16V 0.1uF	C326	182-1053-69	50V1uF	C702	042-0447-00	16V2200uF
C137	166-2201-50	22pF CH	C328	182-1063-39	16V10uF	C703	168-2222-55	2200pF
C139	166-1801-50	18pF CH	C329	182-1063-39	16V10uF	C704	168-2222-55	2200pF
C140	183-4763-39	16V47uF	C330	182-1063-39	16V10uF	C705	168-2222-55	2200pF
C141	168-2232-55	0.022uF	C331	182-1063-39	16V10uF	C706	168-2222-55	2200pF
C201	168-1022-55	1000pF	C332	178-1842-78	0.18uF	C707	168-2222-55	2200pF
C202	168-1022-55	1000pF	C333	178-1842-78	0.18uF	C708	168-2222-55	2200pF
C203	166-1011-50	100pF CH	C334	178-1842-78	0.18uF	C709	168-2222-55	2200pF
C204	166-1011-50	100pF CH	C335	178-1842-78	0.18uF	C710	168-2222-55	2200pF
C205	166-1011-50	100pF CH	C336	168-8212-55	820pF	C712	172-1041-15	0.1uF
C206	166-1011-50	100pF CH	C337	168-8212-55	820pF	C713	182-1063-39	16V10uF
C207	168-1022-55	1000pF	C338	168-8212-55	820pF	C714	183-6843-69	50V0.68uF
C210	166-1011-50	100pF CH	C339	168-8212-55	820pF	C715	168-2232-55	0.022uF
C211	166-1011-50	100pF CH	C340	182-1063-39	16V10uF	C716	178-1042-55	0.1uF

REF No.	PART No.	DESCRIPTION	REF No.	PART No.	DESCRIPTION	REF No.	PART No.	DESCRIPTION
C802	182-4763-39	16V47uF	Q805	125-0002-92	RN2402	R342	119-4721-15	1/10W 4.7k ohm
C803	182-1063-39	16V10uF	Q806	193-1858-00	2SD1858	R343	119-4721-15	1/10W 4.7k ohm
C804	182-4763-19	6.3V47uF	Q811	193-2118-00	2SD2118	R346	119-4721-15	1/10W 4.7k ohm
C805	182-4763-19	6.3V47uF	Q812	125-9003-92	IMD3	R347	119-4721-15	1/10W 4.7k ohm
C806	182-1063-39	16V10uF	Q813	103-2012-00	2SD2012	R501	119-0000-05	1/10W 0 ohm JW
C807	182-1063-39	16V10uF	Q814	125-9003-92	IMD3	R502	119-3331-15	1/10W 33k ohm
C808	168-1042-78	16V 0.1uF	Q816	193-2118-00	2SD2118	R502	119-0000-05	1/10W 0 ohm JW
C809	184-4773-39	16V470uF	Q817	193-1306-00	2SD1306	R503	119-0000-05	1/10W 0 ohm JW
C810	183-4756-58	35V4.7uF NP	Q818	192-2712-00	2SC2712	R504	119-0000-05	1/10W 0 ohm JW
C811	168-1042-78	16V 0.1uF	R111	119-2221-15	1/10W 2.2k ohm	R526	119-0000-05	1/10W 0 ohm JW
C812	168-1042-78	16V 0.1uF	R112	119-2221-15	1/10W 2.2k ohm	R527	119-0000-05	1/10W 0 ohm JW
C813	183-1063-39	16V10uF	R113	119-3321-15	1/10W 3.3k ohm	R530	119-0000-05	1/10W 0 ohm JW
C901	166-2201-50	22pF CH	R114	111-2701-98	1/4W 27 ohm	R531	119-0000-05	1/10W 0 ohm JW
C902	166-2201-50	22pF CH	R115	119-2221-15	1/10W 2.2k ohm	R573	119-0000-05	1/10W 0 ohm JW
C903	166-2201-50	22pF CH	R116	111-1501-98	1/4W 15 ohm	R574	119-0000-05	1/10W 0 ohm JW
C904	166-2201-50	22pF CH	R117	119-4721-15	1/10W 4.7k ohm	R585	119-1831-15	1/10W 18k ohm
C905	166-2201-50	22pF CH	R118	119-4741-15	1/10W 470k ohm	R588	119-0000-05	1/10W 0 ohm JW
C906	166-2201-50	22pF CH	R119	111-1001-98	1/4W 10 ohm	RR589	119-0000-05	1/10W 0 ohm JW
C907	168-1042-78	16V 0.1uF	R120	111-2221-98	1/4W 2.2k ohm	R590	119-1021-15	1/10W 1k ohm
C908	168-1042-78	16V 0.1uF	R121	111-1031-98	1/4W 10k ohm	R591	119-2221-15	1/10W 2.2k ohm
C909	168-1042-78	16V 0.1uF	R122	119-1021-15	1/10W 1k ohm	R592	119-2221-15	1/10W 2.2k ohm
C910	168-1042-78	16V 0.1uF	R123	111-1031-98	1/4W 10k ohm	R593	119-2221-15	1/10W 2.2k ohm
CCT201	050-0140-54	1/32W 1k ohm x4J	R124	111-2221-98	1/4W 2.2k ohm	R594	119-2221-15	1/10W 2.2k ohm
CCT202	050-0140-54	1/32W 1k ohm x4J	R126	119-8201-15	1/10W 82k ohm	R595	119-5631-15	1/10W 56k ohm
CCT203	050-0140-54	1/32W 1k ohm x4J	R128	119-4721-15	1/10W 4.7k ohm	R596	119-5631-15	1/10W 56k ohm
CCT204	050-0140-54	1/32W 1k ohm x4J	R129	119-4721-15	1/10W 4.7k ohm	R597	119-5631-15	1/10W 56k ohm
CCT205	050-0140-54	1/32W 1k ohm x4J	R130	119-4731-15	1/10W 47k ohm	R598	119-5631-15	1/10W 56k ohm
CCT206	050-0140-54	1/32W 1k ohm x4J	R198	119-0000-05	1/10W 0 ohm JW	R599	119-4721-15	1/10W 4.7k ohm
CCT207	050-0140-54	1/32W 1k ohm x4J	R199	119-0000-05	1/10W 0 ohm JW	R619	119-4721-15	1/10W 4.7k ohm
CCT208	050-0140-54	1/32W 1k ohm x4J	R201	119-1021-15	1/10W 1k ohm	R701	119-1031-15	1/10W 10k ohm
CCT209	050-0140-54	1/32W 1k ohm x4J	R202	119-1021-15	1/10W 1k ohm	R702	119-5611-15	1/10W 560 ohm
CCT210	050-0140-54	1/32W 1k ohm x4J	R203	119-1031-15	1/10W 10k ohm	R703	111-1531-98	1/4W 15k ohm
CCT211	050-0140-54	1/32W 1k ohm x4J	R204	119-0000-05	1/10W 0 ohm JW	R704	114-2291-11	1W 2.2 ohm
CCT212	050-0140-54	1/32W 1k ohm x4J	R205	119-1031-15	1/10W 10k ohm	R705	119-2731-15	1/10W 27k ohm
CCT213	050-0140-54	1/32W 1k ohm x4J	R206	119-4731-15	1/10W 47k ohm	R706	119-4731-15	1/10W 47k ohm
CCT214	050-0140-54	1/32W 1k ohm x4J	R207	119-4731-15	1/10W 47k ohm	R803	111-4711-98	1/4W 470 ohm
D701	001-2015-00	RL253	R208	119-4731-15	1/10W 47k ohm	R804	111-1021-98	1/4W 1k ohm
D703	001-0347-34	MA4062L	R209	119-1041-15	1/10W 100k ohm	R805	119-2231-15	1/10W 22k ohm
D704	001-0466-90	S5688B	R210	119-1041-15	1/10W 100k ohm	R806	119-4741-15	1/10W 470k ohm
D802	001-0347-48	MA4091H	R211	119-4731-15	1/10W 47k ohm	R807	119-2231-15	1/10W 22k ohm
D803	001-0516-90	MA111	R212	119-4731-15	1/10W 47k ohm	R810	116-2211-15	1/4W 220 ohm
D804	001-0504-31	HZS6 A2L	R214	119-4731-15	1/10W 47k ohm	R814	111-2211-98	1/4W 220 ohm
D806	001-0504-31	HZS6 A2L	R215	119-4731-15	1/10W 47k ohm	R815	119-1041-15	1/10W 100k ohm
D808	001-0504-45	HZS9B1L	R216	119-4731-15	1/10W 47k ohm	R818	111-3911-98	1/4W 390 ohm
D810	001-0347-46	MA4091L	R221	119-4731-15	1/10W 47k ohm	R819	119-1041-15	1/10W 100k ohm
IC102	051-6212-08	LC72191JM-TLM	R222	119-4731-15	1/10W 47k ohm	R825	111-1801-98	1/4W 18 ohm
IC201	052-3180-10	M30620MCA-8R3GP	R223	119-1031-15	1/10W 10k ohm	R826	119-5611-15	1/10W 560 ohm
IC202	051-5436-08	S-80933ANMP-DDX	R224	119-1031-15	1/10W 10k ohm	R827	119-4721-15	1/10W 4.7k ohm
IC301	051-3020-90	NJM4565V	R225	119-1031-15	1/10W 10k ohm	R828	111-1831-98	1/4W 18k ohm
IC302	051-5027-00	LC75412WH	R226	119-4731-15	1/10W 47k ohm	R829	111-1801-98	1/4W 18 ohm
IC506	051-2042-00	TA8275H	R227	119-4731-15	1/10W 47k ohm	R833	111-3911-98	1/4W 390 ohm
IC701	051-5418-08	S-80827ANMP-EDQ	R228	119-1021-15	1/10W 1k ohm	R901	119-1531-15	1/10W 15k ohm
IC901	051-3020-90	NJM4565V	R229	119-4731-15	1/10W 47k ohm	R902	119-1531-15	1/10W 15k ohm
J201	074-1191-26	26P	R232	119-2231-15	1/10W 22k ohm	R903	119-1531-15	1/10W 15k ohm
J701	074-1068-11	NS10+6	R234	119-4731-15	1/10W 47k ohm	R904	119-1531-15	1/10W 15k ohm
L104	010-2003-04	COIL	R235	119-1031-15	1/10W 10k ohm	R905	119-1031-15	1/10W 10k ohm
L105	010-6009-76	22uH	R236	119-4731-15	1/10W 47k ohm	R906	119-1031-15	1/10W 10k ohm
L202	010-6009-64	2.2uH	R237	119-4731-15	1/10W 47k ohm	R907	119-1031-15	1/10W 10k ohm
L701	009-0670-01	CHOKE	R239	119-4731-15	1/10W 47k ohm	R908	119-1031-15	1/10W 10k ohm
P401	076-0544-12	12P	R240	119-1041-15	1/10W 100k ohm	R909	119-1031-15	1/10W 10k ohm
P701	076-0648-20	20P	R242	119-4721-15	1/10W 4.7k ohm	R910	119-1031-15	1/10W 10k ohm
Q106	190-1150-00	2SA1150	R245	119-1031-15	1/10W 10k ohm	SUP101	060-0122-10	DSP-201M-S00B
Q107	125-2004-92	RN1402	R301	119-1021-15	1/10W 1k ohm	TC101	004-1580-60	30pF
Q108	190-1150-00	2SA1150	R302	119-1021-15	1/10W 1k ohm	TM101	073-0762-90	TERMINAL
Q202	192-2712-51	2SC2712G,L	R308	119-4731-15	1/10W 47k ohm	TM801	073-0762-90	TERMINAL
Q203	192-2712-51	2SC2712G,L	R310	119-4731-15	1/10W 47k ohm	VR102	012-5203-56	10k ohm
Q701	192-2712-00	2SC2712	R334	119-1021-15	1/10W 1k ohm	X101	061-1066-00	7.2MHz
Q801	193-2118-00	2SD2118	R335	119-1021-15	1/10W 1k ohm	X201	060-1505-50	10MHz
Q802	125-2004-92	RN1402	R338	119-4741-15	1/10W 470k ohm	PWB	039-2323-02	PWB(WITHOUT COMPONENT)
Q803	190-1150-00	2SA1150	R339	119-4731-15	1/10W 47k ohm			
Q804	125-2004-92	RN1402	R340	119-0000-05	1/10W 0 ohm JW			

Switch PWB section(B2)

REF No.	PART No.	DESCRIPTION	REF No.	PART No.	DESCRIPTION	REF No.	PART No.	DESCRIPTION
C1101	166-8211-50	820pF	D1125	001-7063-91	RAY1102W	R1103	119-3911-15	1/10W 390 ohm
C1102	168-4732-78	0.047uF	D1126	001-7063-91	RAY1102W	R1104	119-3911-15	1/10W 390 ohm
C1103	168-4732-78	0.047uF	D1127	001-7063-91	RAY1102W	R1105	119-3911-15	1/10W 390 ohm
C1104	168-1042-78	16V 0.1uF	D1128	001-7063-91	RAY1102W	R1109	116-5611-15	1/4W 560 ohm
C1105	042-0416-59	10V33uF	D1129	001-7063-91	RAY1102W	R1110	116-5611-15	1/4W 560 ohm
D135	001-0529-72	MA8200-M	D1130	001-7063-91	RAY1102W	R1111	116-5611-15	1/4W 560 ohm
D136	001-0529-72	MA8200-M	D1131	001-7063-91	RAY1102W	R1112	116-5611-15	1/4W 560 ohm
D137	001-0529-72	MA8200-M	D1132	001-7063-91	RAY1102W	R1113	116-5611-15	1/4W 560 ohm
D138	001-0529-72	MA8200-M	D1133	001-7063-91	RAY1102W	R1114	116-5611-15	1/4W 560 ohm
D1100	001-7048-96	RAY1112H-75M	D1134	001-7063-91	RAY1102W	R1115	116-5611-15	1/4W 560 ohm
D1101	001-7048-96	RAY1112H-75M	D1145	001-0516-90	MA111	S1101	013-6302-50	SKQMAL
D1102	001-7048-96	RAY1112H-75M	D1146	001-0516-90	MA111	S1102	013-6302-50	SKQMAL
D1103	001-7048-96	RAY1112H-75M	D1147	001-0516-90	MA111	S1103	013-6302-50	SKQMAL
D1104	001-7048-96	RAY1112H-75M	D1148	001-0516-90	MA111	S1104	013-6302-50	SKQMAL
D1105	001-7048-96	RAY1112H-75M	D1152	001-0529-32	MA8056-M	S1105	013-6302-50	SKQMAL
D1106	001-7048-96	RAY1112H-75M	D1153	001-0529-32	MA8056-M	S1106	013-6302-50	SKQMAL
D1107	001-7048-96	RAY1112H-75M	D1154	001-0529-32	MA8056-M	S1107	013-6302-50	SKQMAL
D1114	001-7048-96	RAY1112H-75M	D1155	001-0529-32	MA8056-M	S1109	013-6302-50	SKQMAL
D1115	001-7048-96	RAY1112H-75M	D1157	001-0529-32	MA8056-M	S1110	013-6302-50	SKQMAL
D1116	001-7048-96	RAY1112H-75M	D1158	001-0529-32	MA8056-M	S1111	013-6302-50	SKQMAL
D1117	001-7063-91	RAY1102W	D1159	001-0529-32	MA8056-M	S1112	013-6302-50	SKQMAL
D1118	001-7063-91	RAY1102W	D1160	001-0529-32	MA8056-M	S1114	013-6302-50	SKQMAL
D1119	001-7063-91	RAY1102W	IC1101	051-6064-00	LC75883W	S1115	013-6302-50	SKQMAL
D1120	001-7063-91	RAY1102W	J1101	074-1279-70	20P	S1116	013-6302-50	SKQMAL
D1121	001-7063-91	RAY1102W	J1102	075-0306-00	JACK	S1117	013-6302-50	SKQMAL
D1122	001-7063-91	RAY1102W	LCD1101	379-1268-30	LCD	S1121	013-6302-50	SKQMAL
D1123	001-7063-91	RAY1102W	P1101	076-0478-55	PLUG	PWB	039-2324-00	PWB(WITHOUT COMPONENT)
D1124	001-7063-91	RAY1102W	R1101	119-6831-15	1/10W 68k ohm			
			R1102	119-3911-15	1/10W 390 ohm			

CD PWB section(B3):CD mechanism

REF No.	PART No.	DESCRIPTION	REF No.	PART No.	DESCRIPTION	REF No.	PART No.	DESCRIPTION
C101	168-1042-78	0.1uF	C208	046-6822-58	6800pF	R111	033-3321-15	1/16W 3.3k ohm
C102	045-4701-50	47pF	C209	168-1042-78	0.1uF	R114	033-2211-15	1/16W 220 ohm
C103	046-4722-58	4700pF	C210	043-0533-50	0.047uF	R115	033-2211-15	1/16W 220 ohm
C104	168-1042-78	0.1uF	C211	168-1042-78	0.1uF	R116	033-1031-15	1/16W 10k ohm
C105	046-1532-78	0.015uF	C212	168-1042-78	0.1uF	R117	033-1021-15	1/16W 1k ohm
C106	046-1032-78	0.01uF	C213	045-5096-50	5pF	R131	033-4711-15	1/16W 470 ohm
C107	046-1032-78	0.01uF	C214	045-5601-50	56pF	R132	033-2211-15	1/16W 220 ohm
C108	046-4722-58	4700pF	C215	043-0533-50	0.047uF	R201	117-2201-15	1/10W 22 ohm
C109	046-1522-58	1500pF	C216	178-1052-78	1uF	R202	117-2201-15	1/10W 22 ohm
C110	046-3332-78	0.033uF	C217	045-1011-50	100pF	R203	033-1041-15	1/16W 100k ohm
C111	168-1042-78	0.1uF	C301	163-1073-35	16V100uF	R204	033-1041-15	1/16W 100k ohm
C112	046-3332-78	0.033uF	C302	168-1042-78	0.1uF	R205	033-1041-15	1/16W 100k ohm
C113	168-1042-78	0.1uF	C303	043-0533-50	0.047uF	R206	033-1041-15	1/16W 100k ohm
C114	168-1042-78	0.1uF	D201	001-0516-90	MA111	R207	033-1041-15	1/16W 100k ohm
C115	046-4712-58	470pF	IC101	051-6376-00	TC94A14FA	R208	033-8231-15	1/16W 82k ohm
C116	046-4712-58	470pF	IC102	051-3279-90	BA033LBSG	R209	033-6811-15	1/16W 680 ohm
C117	043-0533-50	0.047uF	IC201	051-5710-90	TA2157F	R210	033-6831-15	1/16W 68k ohm
C118	043-0533-50	0.047uF	IC301	051-6049-08	BA5983FP-E2	R211	033-1831-15	1/16W 18k ohm
C119	045-2701-50	27pF	J101	074-1228-76	26P	R212	033-2721-15	1/16W 2.7k ohm
C120	045-1801-50	18pF	J201	074-1138-65	15P	R213	033-1011-15	1/16W 100 ohm
C121	163-1063-35	16V10uF	J301	074-1138-60	10P	R214	033-1021-15	1/16W 1k ohm
C122	178-1052-78	1uF	L101	010-2285-57	BLM21B102SPT	R215	033-1031-15	1/16W 10k ohm
C123	046-1032-78	0.01uF	L102	010-2285-57	BLM21B102SPT	R217	033-1041-15	1/16W 100k ohm
C124	163-1073-05	4V100uF	L103	010-2285-57	BLM21B102SPT	R218	033-2211-15	1/16W 220 ohm
C125	168-1042-78	0.1uF	L104	010-2285-57	BLM21B102SPT	R301	117-6811-15	1/16W 680 ohm
C126	168-1042-78	0.1uF	L105	010-2285-57	BLM21B102SPT	R304	033-3921-15	1/16W 3.9k ohm
C129	178-1052-78	1uF	L401	010-3050-93	10uH	R305	033-3921-15	1/16W 3.9k ohm
C201	163-3363-05	4V33uF	Q201	131-1188-50	2SB1188	R306	033-1041-15	1/16W 100k ohm
C202	168-1042-78	0.1uF	R102	033-5621-15	1/16W 5.6k ohm	R307	033-2211-15	1/16W 220 ohm
C203	178-1052-78	1uF	R104	033-4731-15	1/16W 47k ohm	X102	060-1528-90	16.934M
C204	163-1073-05	4V100uF	R105	033-1041-15	1/16W 100k ohm	PWB	039-1945-20	PWB(WITHOUT COMPONENT)
C205	163-3363-05	4V33uF	R108	033-1531-15	1/16W 15k ohm			
C206	168-1042-78	0.1uF	R109	033-1031-15	1/16W 10k ohm			
C207	043-0533-50	0.047uF	R110	033-1051-15	1/16W 1M ohm			

LED PWB section(B4):CD mechanism

REF No.	PART No.	DESCRIPTION	REF No.	PART No.	DESCRIPTION	REF No.	PART No.	DESCRIPTION
D1	001-7058-90	AN1105W-RR	Q1	060-4015-90	PS1192H	S2	013-7413-50	LIMIT
D2	001-7058-90	AN1105W-RR	Q2	060-4015-90	PS1192H	PWB	039-1944-21	PWB(WITHOUT COMPONENT)
J1	074-1138-60	10P	S1	013-7414-50	CHUCKING			