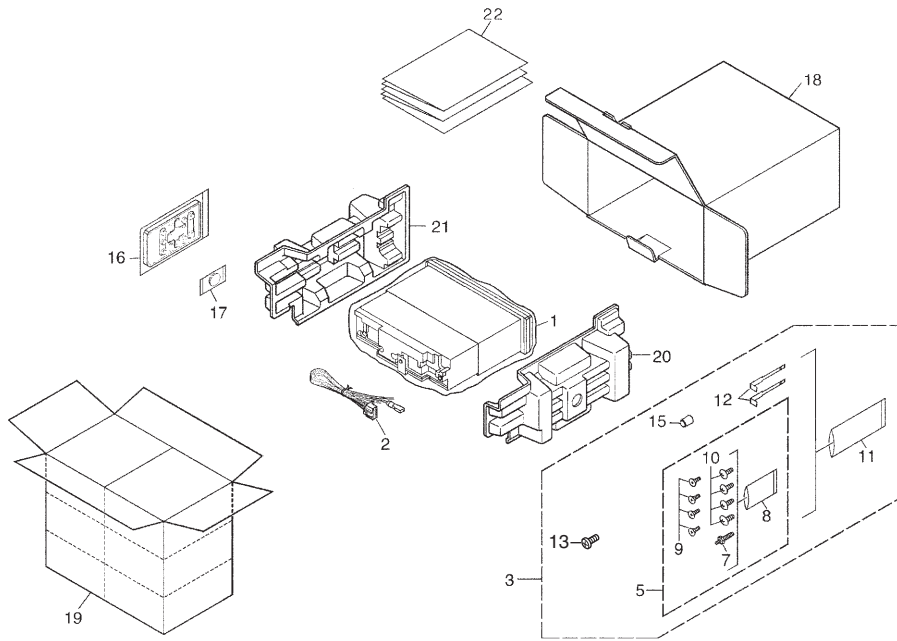


2. EXPLODED VIEWS AND PARTS LIST

NOTES : • Parts marked by " * " are generally unavailable because they are not in our Master Spare Parts List.

- The \triangle mark found on some component parts indicates the importance of the safety factor of the part. Therefore, when replacing, be sure to use parts of identical designation.
- Screw adjacent to ∇ mark on the product are used for disassembly.
- For the applying amount of lubricants or glue, follow the instructions in this manual.
(In the case of no amount instructions, apply as you think it appropriate.)

2.1 PACKING



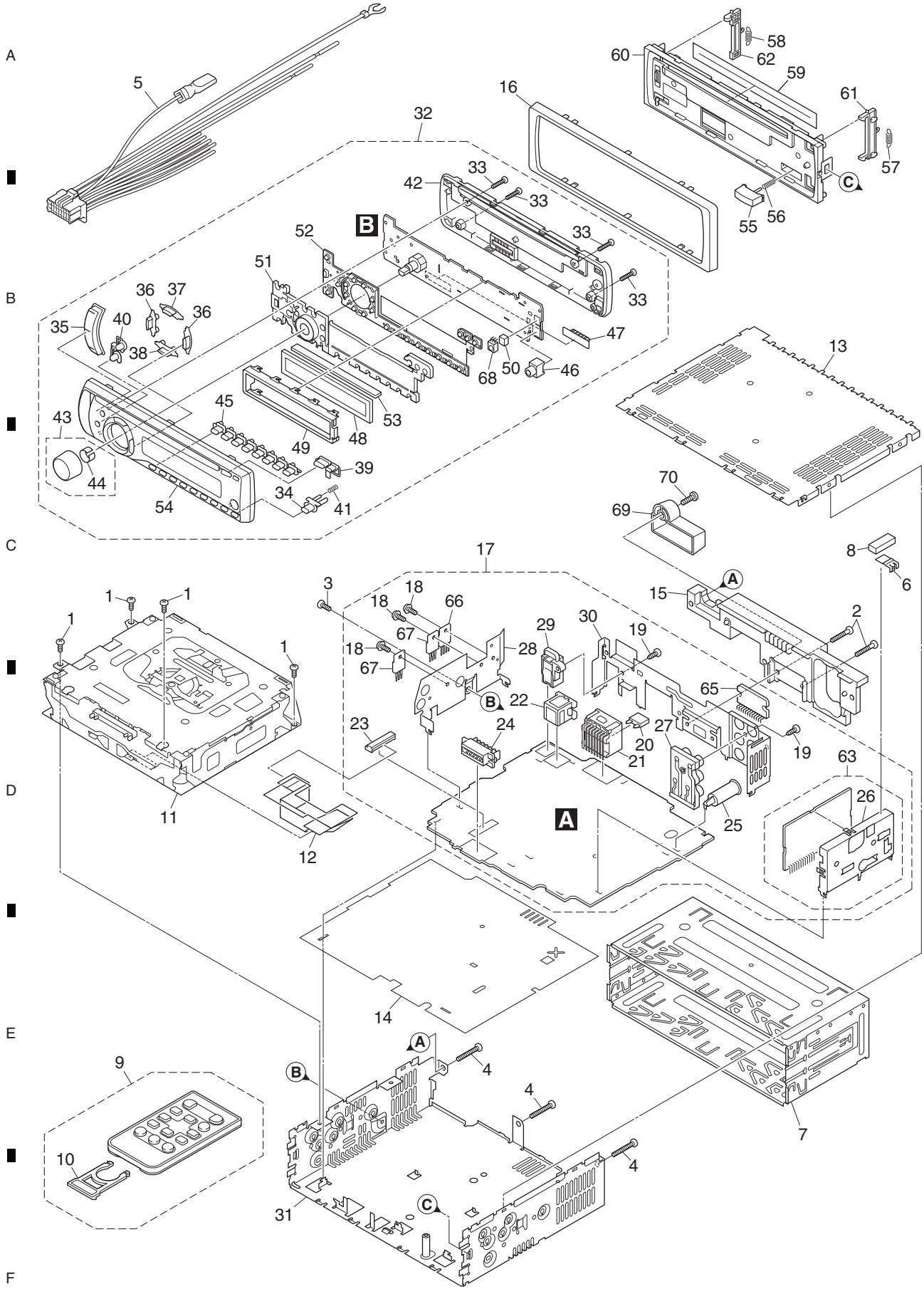
PACKING SECTION PARTS LIST

Mark No.	Description	Part No.	Mark No.	Description	Part No.
1	Polyethylene Bag	CEG1173	* 17	Battery	CEX1065
2	Cord Assy	CDP1017	18	Carton(P390MP)	YHG5112
3	Accessory Assy	YEA5012		Carton(P3900MP)	YHG5109
4	•••••		19	Contain Box(P390MP)	YHL5100
5	Screw Assy	CEA3849		Contain Box(P3900MP)	YHL5097
6	•••••		20	Protector	YHP5008
7	Screw	CBA1650	21	Protector	YHP5009
* 8	Polyethylene Bag	CEG-127	22-1	Owner's Manual(P390MP)	YRD5075
9	Screw	CRZ50P090FTC		Owner's Manual(P3900MP)	YRD5073
10	Screw	TRZ50P080FTC	22-2	Installation Manual(P390MP)	YRD5076
				Installation Manual(P3900MP)	YRD5074
* 11	Polyethylene Bag	CEG-158	22-3	Caution Card	CRP1310
12	Handle	CND3707	* 22-4	Warranty Card(P390MP)	CRY1070
13	Screw	BPZ20P080FTC	* 22-5	Warranty Card(P3900MP)	CRY1246
14	•••••			Caution Card(P3900MP)	CRP1294
15	Bush	CNV3930			
16	Remote Control Assy	CXC5719			

Owner's Manual, Installation Manual

Part No.	Language
YRD5075, YRD5076, YRD5073, YRD5074	English, French, Spanish

2.2 EXTERIOR



(1) EXTERIOR SECTION PARTS LIST

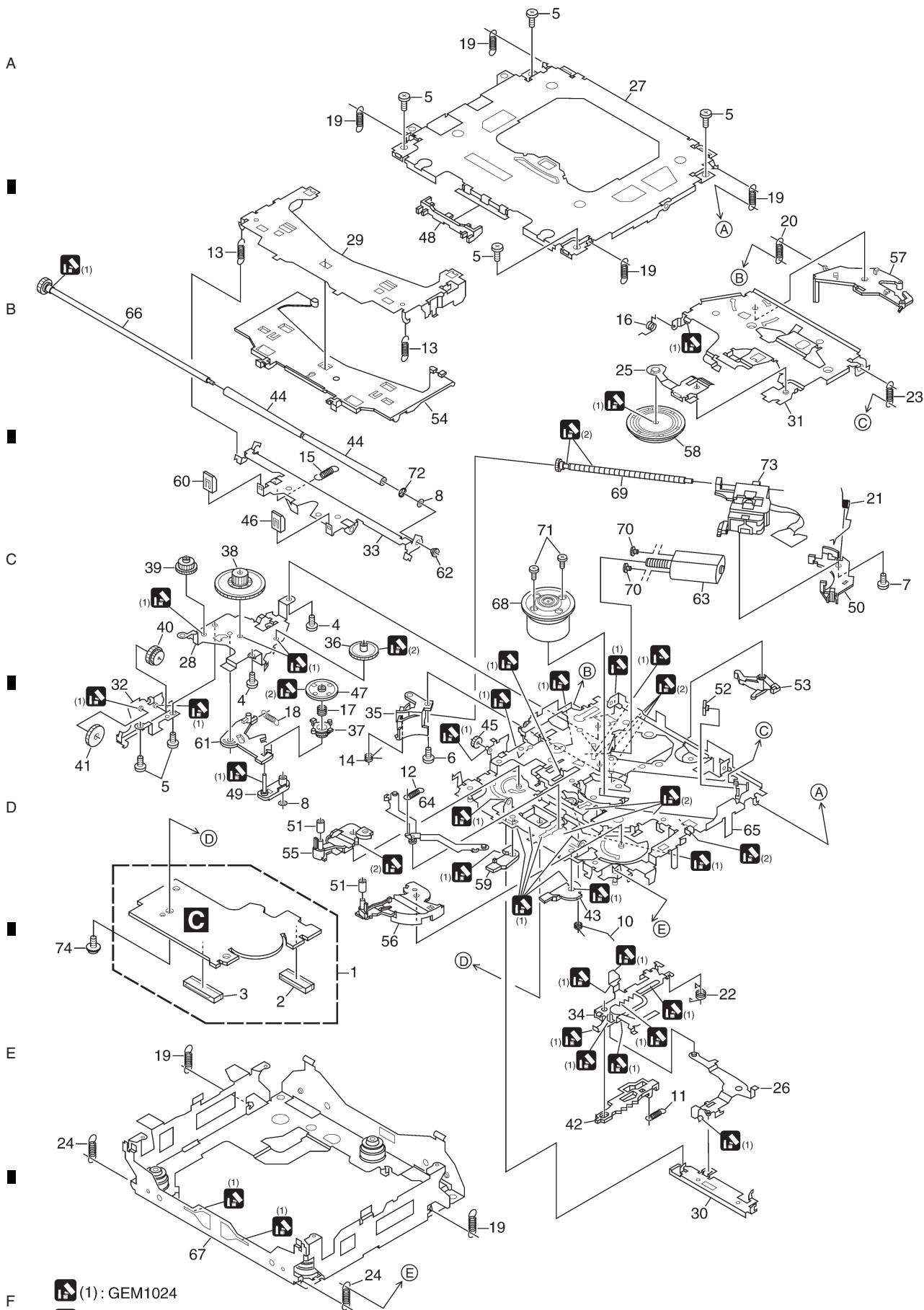
<u>Mark No.</u>	<u>Description</u>	<u>Part No.</u>	<u>Mark No.</u>	<u>Description</u>	<u>Part No.</u>
1	Screw	BSZ26P060FTC	36	Button(L/R)	CAC9946
2	Screw	BSZ26P200FTC	37	Button(UP)	CAC9947
3	Screw	BSZ30P060FTC	38	Button(DOWN)	CAC9948
4	Screw	BSZ30P200FTC	39	Button(EJECT)	CAC9949
5	Cord Assy	CDP1017	40	Button(EQ/BAND)	CAC9950
6	Earth Plate	CNC8915	41	Spring	CBH2210
7	Holder	CND3598	42	Cover	CNS8758
8	Cushion	CNM8890	43	Knob Unit(SOURCE,VOLUME)	CXC7054
9	Remote Control Assy	CXC5719	44	Spring	CBL1761
10	Cover	CNS7068	45	Button(1-6)	See Contrast table(2)
11	CD Mechanism Module(S10.5)	CXK5760	46	Jack	CKN1047
12	Cable	YDE5025	47	Connector(CN1801)	CKS5663
13	Case	YNB5014	48	LCD(LCD1801)	YAW5080
14	Insulator	YNM5062	49	Holder	YNC5025
15	Heat Sink	YNR5031	50	Cushion	YNM5029
16	Panel	See Contrast table(2)	51	Lighting Conductor	YNV5066
17	Tuner Amp Unit	See Contrast table(2)	52	Rubber	YNV5067
18	Screw	BSZ26P060FTC	53	Connector	YNV5068
19	Screw	BPZ26P080FTC	54	Grille Unit	See Contrast table(2)
⚠ 20	Fuse(10 A)	CEK1208	55	Button(DETACH)	CAC4836
21	Plug(CN901)	CKM1376	56	Spring	CBH2367
22	Connector(CN101)	CKS3408	57	Spring	CBH2961
23	Connector(CN701)	CKS3829	58	Spring	CBH2962
24	Connector(CN803)	CKS5664	59	Cover	CNN1665
25	Antenna Jack(CN401)	CKX1056	60	Panel	CNS8760
26	Holder	CND1054	61	Arm	CNV9311
27	Pin Jack(CN351)	XKB7001	62	Arm	CNV9312
28	Holder	XNC7030	63	FM/AM Tuner Unit	CWE1952
29	Jack(CN621)	YKS5002	64	
30	Holder	YNC5039	65	IC(IC301)	PAL007C
31	Chassis Unit	YXA5196	66	IC(IC921)	NJM2388F84
32	Detachable Assy	See Contrast table(2)	67	Transistor (Q702,Q911)	2SD2396
33	Screw	BPZ20P100FTB	68	IC(IC1802)	GP1UX51RK
34	Button(Detach)	CAC9941	69	Holder	See Contrast table(2)
35	Button(AUDIO/FUNC)	CAC9942	70	Screw	See Contrast table(2)

(2) CONTRAST TABLE

DEH-P390MP/XU/UC and DEH-P3900MP/XU/UC are constructed the same except for the following:

<u>Mark</u>	<u>No.</u>	<u>Description</u>	<u>DEH-P390MP/XU/UC</u>	<u>DEH-P3900MP/XU/UC</u>
	16	Panel	YNS5191	YNS5190
	17	Tuner Amp Unit	YWM5137	YWM5139
	32	Detachable Assy	YXA5205	YXA5206
	45	Button(1-6)	YAC5118	CAC9943
	54	Grille Unit	YXA5232	YXA5197
	69	Holder	Not used	CNV7619
	70	Screw	Not used	BMZ40P140FTC

2.3 CD MECHANISM MODULE



(1): GEM1024
 (2): GEM1045

CD MECHANISM MODULE SECTION PARTS LIST

<u>Mark No.</u>	<u>Description</u>	<u>Part No.</u>	<u>Mark No.</u>	<u>Description</u>	<u>Part No.</u>
1	CD Core Unit(S10.5COMP2)	CWX3350	50	Rack	CNV8342
2	Connector(CN101)	CKS4911			
3	Connector(CN701)	CKS4808	51	Roller	CNV8343
4	Screw	BMZ20P025FTC	52	Holder	CNV8344
5	Screw	BSZ20P040FTC	53	Arm	CNV8345
			54	Guide	CNV8347
6	Screw(M2 x 3)	CBA1511	55	Arm	CNV8348
7	Screw(M2 x 4)	CBA1835			
8	Washer	CBF1038	56	Arm	CNV8349
9		57	Arm	CNV8350
10	Spring	CBH2609	58	Clamper	CNV8365
			59	Arm	CNV8386
11	Spring	CBH2612	60	Guide	CNV8396
12	Spring	CBH2614			
13	Spring	CBH2616	61	Arm	CNV8413
14	Spring	CBH2617	62	Collar	CNV8447
15	Spring	CBH2620	63	Motor Unit(M2)	CXC4026
			64	Arm Unit	CXC4027
16	Spring	CBH2855	65	Chassis Unit	CXC4028
17	Spring	CBH2937			
18	Spring	CBH2735	66	Gear Unit	CXC4029
19	Spring	CBH2854	67	Frame Unit	CXC4031
20	Spring	CBH2642	68	Motor Unit(M1)	CXC7134
			69	Screw Unit	CXC6359
21	Spring	CBH2856	70	Screw	JFZ20P020FTC
22	Spring	CBH2857			
23	Spring	CBH2860	71	Screw	JGZ17P022FTC
24	Spring	CBH2861	72	Washer	YE20FTC
25	Spring	CBL1686	73	Pickup Unit(P10.5)(Service)	CXX1942
			74	Screw	IMS26P030FTC
26	Arm	CND1909			
27	Frame	CND2582			
28	Bracket	CND2583			
29	Arm	CND2584			
30	Lever	CND2585			
31	Arm	CND2586			
32	Bracket	CND2587			
33	Arm	CND2588			
34	Lever	CND2589			
35	Holder	CNV7201			
36	Gear	CNV7207			
37	Gear	CNV7208			
38	Gear	CNV7209			
39	Gear	CNV7210			
40	Gear	CNV7211			
41	Gear	CNV7212			
42	Rack	CNV7214			
43	Arm	CNV7216			
44	Roller	CNV8189			
45	Gear	CNV7219			
46	Guide	CNV7361			
47	Gear	CNV7595			
48	Guide	CNV8448			
49	Arm	CNV7805			

5. ELECTRICAL PARTS LIST

NOTE:

- Parts whose parts numbers are omitted are subject to being not supplied.
- The part numbers shown below indicate chip components.

Chip Resistor

RS1/○S○○○○J,RS1/○○S○○○○J

Chip Capacitor (except for CQS.....)

CKS....., CCS....., CSZS.....

- The \triangle mark found on some component parts indicates the importance of the safety factor of the part. Therefore, when replacing, be sure to use parts of identical designation.
- Meaning of the figures and others in the parentheses in the parts list.

Example) IC 301 is on the point (face A, 91 of x-axis, and 111 of y-axis) of the corresponding PC board.

IC 301 (A, 91, 111) IC NJM2068V

Circuit Symbol and No.	Part No.	Circuit Symbol and No.	Part No.
------------------------	----------	------------------------	----------

Unit Number: YWM5137(P390MP)

Unit Number: YWM5139(P3900MP)

Unit Name : Tuner Amp Unit

Unit Number:

Unit Name : Keyboard Unit

Unit Number: CWX3350

Unit Name : CD Core

Unit(S10.5COMP2)

Q 851	(B,36,13) Transistor	2SA1036K
Q 852	(B,30,10) Transistor	DTC114EUA
Q 911	(A,6,102) Transistor	2SD2396
Q 912	(B,18,71) Transistor	UMD2N
Q 931	(B,60,88) Transistor	UMX1N

D 454	(A,108,110) Diode	1SS133
D 701	(A,19,52) Diode	HZS7L(C3)
D 751	(B,114,72) Diode	FTZ6R8E
D 752	(B,113,84) Diode	FTZ6R8E
D 801	(B,31,19) Diode	DAN202U

D 802	(B,35,19) Diode	DAP202U
D 803	(B,108,19) Diode	DAN202U
D 804	(B,104,19) Diode	DAP202U
D 805	(B,24,21) Diode	DAN202U
D 806	(B,22,25) Diode	DAP202U

D 901	(A,73,111) Diode	S5688G
D 902	(A,77,107) Diode	S5688G
D 903	(A,66,97) Diode	S5688G
D 904	(A,63,97) Diode	S5688G
D 911	(A,18,83) Diode	S5688G

D 912	(A,19,74) Diode	HZS6L(B2)
D 931	(A,56,91) Diode	HZS7L(C3)
D 932	(A,53,87) Diode	HZS7L(A1)

L 101	(A,52,69) Inductor	LAU2R2K
L 161	(A,112,89) Inductor	LAU2R2K
L 401	(A,155,94) Inductor	LAU1R0K
L 402	(B,159,99) Inductor	LC TAW220J2520
L 403	(A,156,54) Inductor	LAU1R0K
L 602	(A,95,41) Inductor	LAU2R2K
L 852	(A,46,11) Inductor	LAU2R2K

L 901	(A,36,103) Choke Coil 600 μ H	CTH1280
X 601	(A,73,40) Resonator 15.000 MHz	YSS5002
\triangle FU353	(B,131,133) Fuse 3 A	CEK1286
Z 401	(A,163,101) FM/AM Tuner Unit	CWE1952
AR401	(B,164,114) Surge Protector	IMSA-6801-01Y901

\triangle	Fuse 10 A	CEK1208
-------------	-----------	---------

RESISTORS

R 101	(B,32,123)	RS1/16S181J
R 102	(B,33,101)	RS1/16S222J

MISCELLANEOUS

IC 101	(B,60,62) IC	HA12241FP
IC 151	(B,134,84) IC	PML015B
IC 301	(A,92,133) IC	PAL007C
IC 401	(B,137,31) IC	NJM2885DL1-33
IC 601	(B,84,58) IC	PEG286A
IC 702	(B,39,69) IC	NJM2885DL1-33
IC 751	(B,114,78) IC	NJM2794V
IC 921	(A,6,121) IC	NJM2388F84
IC 961	(B,63,36) IC	S-80835CNMC-B8U
Q 101	(B,37,96) Transistor	2SA1576A

Q 102	(B,31,112) Transistor	DTC114EUA
Q 351	(B,164,124) Transistor	UMH3N
Q 352	(B,139,121) Transistor	UMH3N
Q 353	(B,134,125) Transistor	UMH3N
Q 451	(B,122,112) Transistor	DTC124EUA

Q 453	(B,121,118) Transistor	UMD2N
Q 701	(B,24,52) Transistor	UMD2N
Q 702	(A,6,67) Transistor	2SD2396
Q 841	(B,119,24) Transistor	2SA1036K
Q 842	(B,122,32) Transistor	DTC114EUA

5		6		7		8	
<u>Circuit Symbol and No.</u>		<u>Part No.</u>		<u>Circuit Symbol and No.</u>		<u>Part No.</u>	
R 103	(B,25,130)	RS1/16S181J		R 605	(B,153,61)	RS1/16S681J	
R 104	(B,36,135)	RS1/16S101J		R 606	(B,114,48)	RS1/16S103J	
R 105	(B,33,136)	RS1/16S101J		R 607	(B,144,58)	RS1/16S681J	
R 106	(B,29,121)	RS1/16S223J		R 608	(B,98,44) (P3900MP)	RS1/16S473J	A
R 107	(B,25,125)	RS1/16S223J		R 609	(B,96,44)	RS1/16S104J	
R 108	(B,27,125)	RS1/16S102J		R 610	(B,106,52)	RS1/16S473J	
R 109	(B,28,121)	RS1/16S102J		R 613	(B,97,77)	RS1/16S104J	
R 110	(B,34,96)	RS1/16S332J		R 615	(B,68,64)	RS1/16S0R0J	
R 111	(B,32,107)	RS1/16S562J		R 616	(B,35,51)	RS1/16S473J	
R 112	(A,65,68)	RD1/4PU102J		R 620	(B,94,68)	RS1/16S0R0J	
R 113	(B,67,59)	RS1/16S472J		R 621	(B,15,140)	RS1/16S102J	
R 114	(B,65,59)	RS1/16S472J		R 622	(B,13,137)	RS1/16S102J	
R 116	(B,31,136)	RS1/16S470J		R 701	(A,14,49)	RD1/4PU271J	
R 117	(B,29,136)	RS1/16S150J		R 703	(B,47,53)	RS1/16S472J	B
R 118	(B,56,67)	RS1/16S0R0J		R 704	(B,47,38)	RS1/16S104J	
R 151	(B,97,79)	RS1/16S102J		R 705	(B,50,45)	RS1/16S472J	
R 152	(B,97,81)	RS1/16S102J		R 706	(B,52,45)	RS1/16S104J	
R 153	(B,97,82)	RS1/16S102J		R 707	(B,36,47)	RS1/16S104J	
R 180	(B,125,91)	RS1/16S0R0J		R 708	(B,55,44)	RS1/16S221J	
R 301	(B,127,108)	RS1/16S471J		R 709	(A,56,38)	RD1/4PU102J	
R 303	(B,125,108)	RS1/16S471J		R 710	(B,49,45)	RS1/16S221J	
R 304	(B,138,108)	RS1/16S471J		R 711	(A,56,41)	RD1/4PU221J	
R 306	(B,141,107)	RS1/16S471J		R 712	(B,48,53)	RS1/16S221J	
R 309	(A,85,78)	RD1/4PU153J		R 713	(B,35,49)	RS1/16S102J	
R 351	(B,148,112)	RS1/16S821J		R 714	(B,25,47)	RS1/16S104J	C
R 352	(B,155,119)	RS1/16S0R0J		R 751	(B,108,85)	RS1/16S0R0J	
R 353	(B,131,108)	RS1/16S821J		R 753	(B,107,72)	RS1/16S0R0J	
R 354	(B,133,108)	RS1/16S821J		R 755	(B,105,85)	RS1/16S0R0J	
R 355	(B,135,121)	RS1/16S821J		R 757	(B,106,77)	RS1/16S223J	
R 356	(B,134,103)	RS1/16S821J		R 759	(B,106,79)	RS1/16S223J	
R 358	(B,131,129)	RS1/16S821J		R 803	(B,28,19)	RS1/16S473J	
R 359	(B,163,133)	RS1/16S223J		R 804	(B,104,23)	RS1/16S222J	
R 360	(B,160,132)	RS1/16S223J		R 805	(B,100,21)	RS1/16S222J	
R 361	(B,147,116)	RS1/16S223J		R 806	(A,61,19)	RD1/4PU222J	
R 362	(B,158,136)	RS1/16S223J		R 807	(B,46,18)	RS1/16S222J	
R 363	(B,134,129)	RS1/16S223J		R 808	(B,29,17)	RS1/16S104J	D
R 364	(B,137,129)	RS1/16S223J		R 809	(B,51,13)	RS1/16S222J	
R 381	(B,136,129)	RS1/16S0R0J		R 810	(B,29,15)	RS1/16S103J	
R 382	(B,139,126)	RS1/16S0R0J		R 811	(B,87,31)	RS1/16S473J	
R 383	(B,138,123)	RS1/16S0R0J		R 813	(B,96,21)	RS1/16S104J	
R 384	(B,145,119)	RS1/16S0R0J		R 814	(A,110,29)	RD1/4PU102J	
R 385	(B,145,118)	RS1/16S0R0J		R 815	(B,98,21)	RS1/16S102J	
R 386	(B,144,122)	RS1/16S0R0J		R 816	(B,112,24)	RS1/16S1R0J	
R 391	(B,143,125)	RS1/16S0R0J		R 822	(B,27,68)	RS1/16S102J	
R 392	(B,144,130)	RS1/16S0R0J		R 823	(B,25,68)	RS1/16S102J	
R 401	(A,156,59)	RD1/4PU681J		R 824	(B,114,50)	RS1/16S102J	
R 403	(B,157,83)	RS1/16S681J		R 825	(B,26,16)	RS1/16S102J	E
R 404	(B,157,84)	RS1/16S681J		R 826	(B,112,26)	RS1/16S0R0J	
R 405	(B,157,86)	RS1/16S681J		R 841	(B,121,28)	RS1/16S103J	
R 406	(B,157,89)	RS1/16S681J		R 842	(B,121,30)	RS1/16S472J	
R 407	(B,156,91)	RS1/16S0R0J		R 851	(B,23,12)	RS1/16S153J	
R 414	(A,133,42)	RD1/4PU1R8J		R 852	(B,25,10)	RS1/16S472J	
R 421	(B,154,82)	RS1/16S0R0J		R 853	(B,100,16)	RS1/16S222J	
R 451	(B,122,109)	RS1/16S103J		R 911	(B,18,66)	RS1/16S223J	
R 452	(B,122,121)	RS1/16S221J		R 912	(A,18,77)	RD1/4PU152J	
R 453	(B,121,116)	RS1/16S153J		R 922	(B,10,113)	RS1/16S473J	
R 454	(A,117,115)	RD1/4PU102J		R 931	(B,60,57)	RS1/16S104J	F
R 602	(B,69,44)	RS1/16S103J		R 932	(B,54,59)	RS1/16S104J	
R 603	(B,98,84)	RS1/16S103J		R 933	(B,60,90)	RS1/16S104J	
R 604	(B,120,61)	RS1/16S681J		R 934	(B,60,92)	RS1/16S473J	

Circuit Symbol and No.**Part No.****Circuit Symbol and No.****Part No.**

R 935 (B,56,87)
R 936 (B,60,93)
R 937 (B,62,118)

RS1/16S473J
RS1/16S473J
RS1/16S473J

C 606 (B,81,34)
C 607 (A,73,32)
C 609 (B,144,51)
C 701 (B,23,47)

CKSRYP104K25
CEJQ100M16
CCSRCH470J50
CKSRYP473K25

R 938 (B,60,123)
R 961 (B,70,36)
R 962 (B,61,40)

RS1/4SA102J
RS1/16S102J
RS1/16S822J

C 703 (A,30,29)
C 704 (B,143,76)
C 705 (B,125,77)
C 708 (A,38,76)
C 709 (B,37,74)

CEJQ101M10
CKSRYP105K10
CKSRYP105K10
CEJQ220M10
CKSRYP105K10

CAPACITORS

C 101 (B,28,136)
C 104 (B,50,71)
C 151 (B,143,81)
C 152 (B,144,80)
C 153 (B,160,74)

CKSRYP104K25
CKSRYP103K50
CKSRYP105K10
CKSRYP105K10
CKSRYP224K10

C 710 (B,43,64)
C 751 (B,112,82)
C 753 (B,110,72)
C 754 (B,106,76)
C 755 (B,107,85)

CKSRYP474K10
CKSRYP104K25
CKSRYP472K50
CKSRYP105K10
CKSRYP472K50

C 154 (B,119,76)
C 155 (B,162,72)
C 156 (B,123,81)
C 157 (B,123,82)
C 158 (B,123,84)

CKSRYP105K10
CKSRYP224K10
CKSRYP105K10
CKSRYP105K10
CKSRYP105K10

C 756 (B,109,76)
C 758 (B,109,80)
C 760 (B,106,80)
C 761 (A,119,67)
C 762 (A,122,75)

CKSRYP105K10
CKSRYP105K10
CKSRYP105K10
CEJQ220M10
CEJQ100M16

C 159 (B,120,90)
C 160 (A,115,93)
C 161 (B,135,98)
C 162 (A,115,102)
C 163 (B,119,88)

CKSRYP153K50
CEJQ100M16
CKSRYP153K50
CEJQ470M10
CKSRYP104K25

C 851 (B,39,10)
C 901 (B,54,117)
C 911 (A,26,55)
C 912 (B,22,70)
C 913 (A,22,63)

CKSRYP104K25
CKSRYP104K25
CEJQ470M10
CKSRYP103K50
CEAT102M16

C 165 (A,131,95)
C 305 (B,128,112)
C 306 (B,137,112)
C 307 (B,130,112)
C 308 (B,134,112)

CEJQ100M16
CKSQYB474K16
CKSQYB474K16
CKSQYB474K16
CKSQYB474K16

C 921 (B,15,104)
C 922 (A,17,100)
C 923 (A,14,116)
C 924 (B,15,112)
C 961 (B,67,37)

CKSRYP103K50
CEJQ221M10
CEJQ101M16
CKSRYP103K50
CKSRYP473K25

C 309 (B,125,135)
C 310 (B,127,132)
C 311 (A,104,124)
C 313 (A,51,121) 3 300 μ F/16 V
C 315 (B,128,116)

CKSQYB225K10
CKSQYB225K10
CEJQ100M16
CCH1494
CKSRYP474K10

C 962 (A,64,40)

CEJQ100M16

B**Unit Number :****Unit Name : Keyboard Unit****MISCELLANEOUS**

C 316 (B,136,116)
C 317 (B,130,116)
C 318 (B,134,116)
C 351 (A,124,94)
C 352 (A,139,95)

CKSRYP474K10
CKSRYP474K10
CKSRYP474K10
CEJQ2R2M50
CEJQ2R2M50

IC 1801 (B,28,110) IC
IC 1802 (A,12,161) IC
D 1801 (B,18,63) Diode
D 1802 (B,18,67) Diode
D 1803 (A,23,151) Diode

PD6538A
GP1UX51RK
DAN202U
DAP202U
NESW505C-5273

C 353 (A,130,101)
C 354 (A,138,102)
C 355 (A,123,101)
C 356 (A,145,101)
C 357 (B,163,132)

CEJQ2R2M50
CEJQ2R2M50
CEJQ2R2M50
CEJQ2R2M50
CKSRYP222K50

D 1805 (A,39,84) LED
D 1806 (A,39,73) LED
D 1807 (A,32,9) LED
D 1808 (A,11,9) LED
D 1809 (A,20,19) LED

SML-310PT
SML-310PT
SML-310PT
SML-310PT
SML-310PT

C 358 (B,158,132)
C 401 (A,151,53)
C 402 (B,153,52)
C 403 (B,148,35)
C 405 (A,152,90)

CKSRYP222K50
CEJQ470M6R3
CKSRYP103K50
CKSRYP103K50
CEJQ101M10

D 1810 (A,11,23) LED
D 1811 (A,39,95) LED
D 1812 (A,39,105) LED
D 1813 (A,39,116) LED
D 1814 (A,5,155) LED

SML-310PT
SML-310PT
SML-310PT
SML-310PT
SML-310PT

C 406 (B,166,94)
C 407 (B,163,68)
C 408 (A,146,29)
C 410 (B,140,41)
C 411 (B,166,92)

CKSRYP104K25
CKSRYP103K50
CEJQ220M10
CKSRYP474K10
CCSRCH470J50

D 1815 (A,5,148) LED
D 1818 (A,38,41) LED
D 1819 (A,25,27) LED
D 1820 (A,25,55) LED
D 1821 (A,12,41) LED

SML-310PT
CL-197HB1-D(CDE)
CL-197HB1-D(CDE)
CL-197HB1-D(CDE)
CL-197HB1-D(CDE)

C 412 (B,160,40)
C 451 (A,119,123)
C 601 (B,73,44)
C 602 (B,77,44)
C 604 (B,93,44)

CKSRYP105K10
CEJQ330M10
CCSRCH180J50
CCSRCH180J50
CKSRYP105K10

D 1822 (A,39,148) LED
D 1823 (A,39,137) LED

SML-310PT
SML-310PT

C 605 (A,100,43)

CEJQ100M16

	<u>Circuit Symbol and No.</u>	<u>Part No.</u>
D 1824	(A,39,126) LED	SML-310PT
X 1801	(B,36,122) Ceramic Resonator 5.00 MHz	CSS1547
S 1827	(A,25,41) Switch(SOURCE VOLUME)	YSD5013
LCD1801	(A,13,63) LCD	YAW5080

	<u>Circuit Symbol and No.</u>	<u>Part No.</u>
R 206	(B,26,53)	RS1/16SS104J
R 210	(B,13,32)	RS1/16SS102J
R 214	(B,36,34)	RS1/16SS472J
R 216	(B,47,49)	RS1/16SS472J
R 221	(B,36,32)	RS1/16SS103J

RESISTORS

R 1801	(B,24,63)	RS1/16S222J
R 1802	(B,23,63)	RS1/16S222J
R 1803	(B,28,145)	RS1/4SA561J
R 1804	(B,37,80)	RS1/4SA471J
R 1805	(B,15,23)	RS1/4SA471J

R 222	(B,35,32)	RS1/16SS103J
R 225	(A,49,49)	RS1/16SS103J
R 226	(A,49,50)	RS1/16SS393J
R 227	(B,45,51)	RS1/16SS562J
R 228	(B,42,53)	RS1/16SS122J

R 1806	(B,37,92)	RS1/4SA471J
R 1807	(B,6,151)	RS1/4SA681J
R 1809	(B,18,23)	RS1/4SA681J
R 1810	(B,20,26)	RS1/4SA681J
R 1811	(B,28,142)	RS1/4SA471J

R 229	(B,44,53)	RS1/16SS472J
R 230	(B,21,28)	RS1/16SS0R0J
R 232	(B,43,51)	RS1/16SS122J
R 233	(B,29,52)	RS1/16SS103J
R 234	(B,30,61)	RS1/16SS473J

R 1831	(B,29,28)	RS1/16S472J
R 1833	(B,24,145)	RS1/16S2R2J
R 1835	(B,15,148)	RS1/16S121J

R 235	(A,25,63)	RS1/16SS473J
R 239	(B,26,48)	RS1/16SS473J
R 240	(B,10,31)	RS1/16SS473J
R 241	(B,9,32)	RS1/16SS103J
R 243	(A,35,69)	RS1/16S0R0J

CAPACITORS

C 1801	(B,15,150)	CKSRYB474K10
C 1802	(B,29,136)	CKSRYF104Z25
C 1803	(B,28,136)	CKSRYF104Z25
C 1804	(B,26,136)	CKSRYF104Z25
C 1815	(A,35,31)	CKSRYF104Z25

R 244	(A,20,52)	RS1/16SS473J
R 255	(A,27,63)	RAB4CQ104J
R 307	(A,34,19)	RS1/16SS183J
R 308	(A,38,20)	RS1/16SS183J
R 309	(A,35,21)	RS1/16SS183J

C 1816	(A,25,26)	CKSRYF104Z25
C 1817	(A,25,56)	CKSRYF104Z25
C 1818	(A,13,53)	CKSRYF104Z25

R 310	(A,38,21)	RS1/16SS183J
R 601	(B,28,38)	RS1/16SS0R0J
R 602	(B,27,41)	RS1/16SS0R0J
R 606	(B,23,41)	RS1/16SS0R0J
R 701	(B,16,35)	RS1/16SS221J

C**Unit Number : CWX3350****Unit Name : CD Core****Unit(S10.5COMP2)****MISCELLANEOUS**

IC 201	(A,34,46) IC	PE5547A
IC 202	(A,32,67) IC	S-93C56BD0I-J8
IC 301	(A,27,14) IC	BA5839FP
Q 101	(B,56,72) Transistor	2SA1577
Q 102	(B,47,57) Transistor	2SB1689
X 201	(A,23,35) Ceramic Resonator 16.934 MHz	CSS1603
S 901	(A,53,37) Switch(HOME)	CSN1067
S 903	(B,19,58) Switch(DSCSNS)	CSN1067
S 904	(B,38,67) Switch(12EJ)	CSN1068
S 905	(B,24,68) Switch(8EJ)	CSN1068

R 702	(A,23,55)	RS1/16SS221J
-------	-----------	--------------

CAPACITORS

C 106	(B,56,69)	CKSQYB475K6R3
C 201	(A,28,67)	CKSRYB104K16
C 202	(A,27,57)	CKSSYB104K10
C 204	(A,24,63)	CKSSYB103K16
C 205	(B,23,43)	CKSQYB475K6R3

C 206	(A,22,39)	CKSSYB104K10
C 207	(A,24,37)	CKSRYB104K16
C 209	(B,33,40)	CEVW220M6R3
C 210	(B,29,42)	CKSSYB104K10
C 211	(A,27,34)	CKSSYB104K10

C 212	(B,29,32)	CKSRYB104K16
C 213	(A,44,37)	CKSSYB104K10
C 214	(A,28,33)	CKSSYB104K10
C 216	(A,50,51)	CKSSYB332K50
C 217	(A,46,51)	CKSSYB104K10

RESISTORS

R 101	(B,60,73)	RS1/10SR2R4J
R 102	(B,59,71)	RS1/10SR2R4J
R 103	(B,60,71)	RS1/10SR2R7J
R 104	(B,52,69)	RS1/16SS222J
R 105	(B,41,57)	RS1/16SS102J

C 218	(A,49,51)	CKSSYB473K10
C 219	(A,45,53)	CKSSYB104K10
C 220	(A,46,53)	CKSSYB182K50
C 221	(A,44,53)	CKSSYB104K10
C 222	(B,43,53)	CCSSCH560J50

R 107	(B,41,59)	RS1/16SS105J
R 201	(A,32,62)	RS1/16S472J
R 202	(B,32,62)	RS1/16SS473J
R 203	(B,42,45)	RS1/16S473J
R 204	(A,25,61)	RS1/16SS221J

C 223	(B,45,53)	CCSSCH4R0C50
C 224	(A,43,55)	CKSSYB104K10
C 226	(A,40,58)	CCSSCH680J50
C 227	(A,40,60)	CCSSCH470J50
C 228	(A,39,62)	CKSSYB103K16

Circuit Symbol and No.

Part No.

C 229	(B,49,59)	CKSSYB104K10
C 236	(A,42,61)	CKSSYB104K10
C 239	(B,44,51)	CCSSCH220J50
A C 240	(A,35,61)	CKSSYB104K10
C 250	(B,36,30)	CKSSYB102K50
C 251	(B,33,29)	CKSSYB102K50
C 303	(A,35,19)	CKSSYB472K25
C 304	(A,34,21)	CKSSYB223K16
C 307	(B,25,9)	CKSRYB104K16
C 308	(B,10,27)	CKSRYB105K10
C 703	(B,11,37)	CCSSCH101J50
C 704	(B,8,36)	CKSSYB102K50
C 711	(A,25,26)	CKSSYB104K10

B Miscellaneous Parts List

	Pickup Unit(P10.5)(Service)	CXX1942
M 1	Motor Unit(SPINDLE)	CXC7134
M 2	Motor Unit(LOADING/CARRIAGE)	CXC4026

C

D

E

F