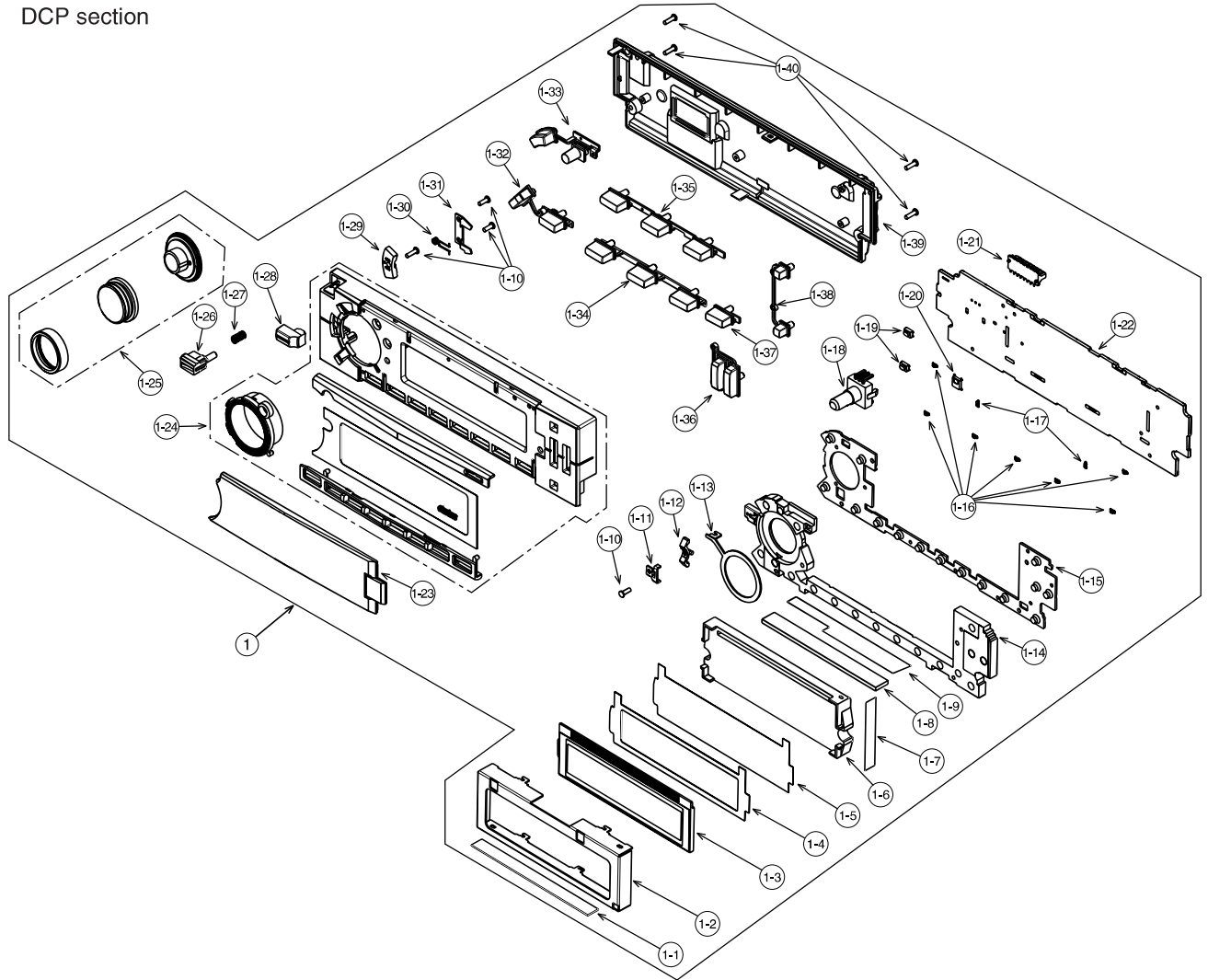


EXPLODED VIEW • PART LIST

DCP section

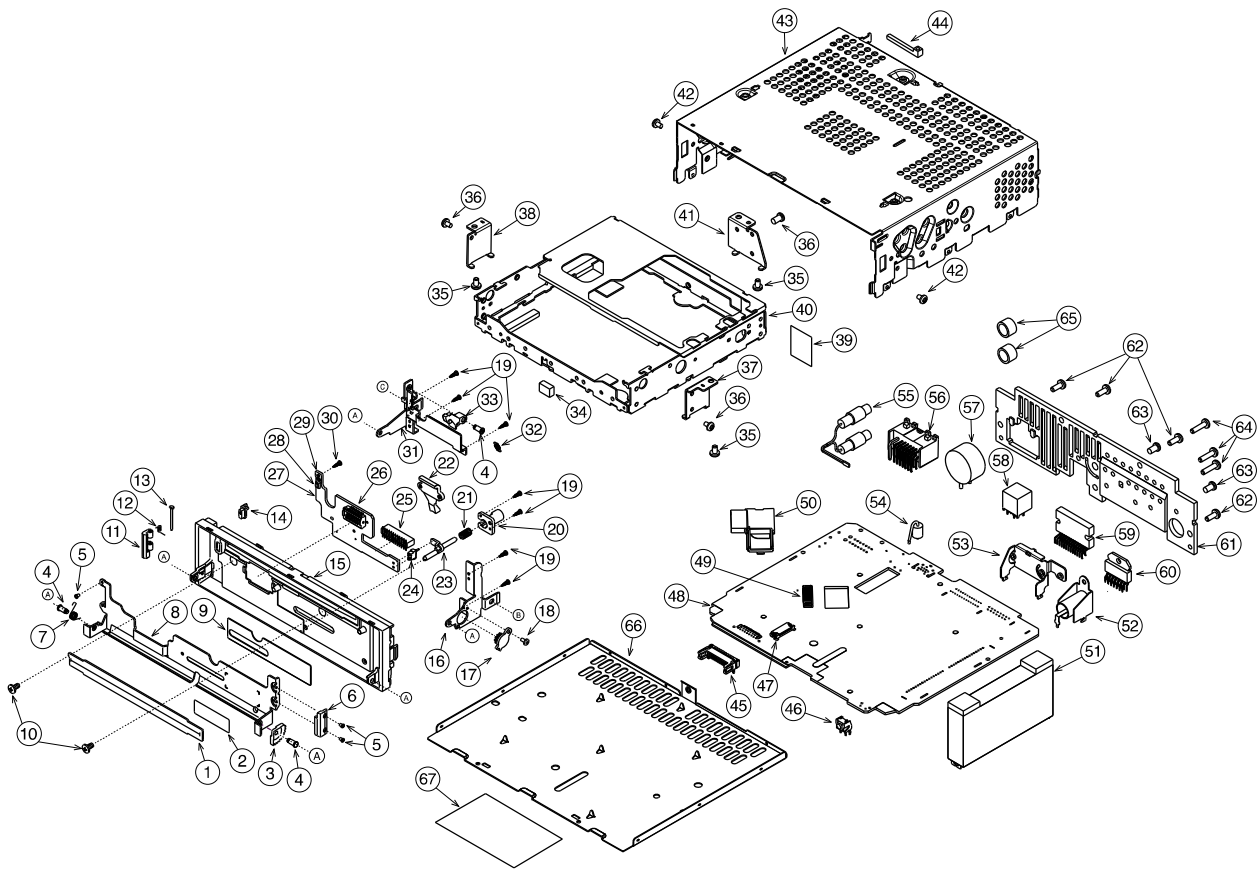


Note:- Several different parts of the same reference number are alternative parts. One of those parts is used in the set.

No.	PART No.	DESCRIPTION	Q'TY
1	45-2886-AA	DCP-ESC-ASSY	1
1-1	291-0121-00	STICKER	1
1-2	331-4235-01	LCD COVER	1
1-3	379-1351-41	LCD	1
1-4	347-7932-00	FILM	1
1-5	347-7933-00	SHADE	1
1-6	335-7857-00	LCD HOLDER	1
1-7	291-0119-00	STICKER	1
1-8	345-5918-00	ZEBRA CONNECTOR	1
1-9	291-0120-01	STICKER	1
1-10	716-0872-50	PAD SCREW (M1.7x5)	4
1-11	331-4240-00	ARM COVER	1
1-12	335-7855-00	LEVEL ARM	1
1-13	331-4237-00	EARTH PLATE	1
1-14	335-7849-00	ILLUMI PLATE	1
1-15	345-5916-00	RUBBER KEYPAD	1
1-16	001-7819-90	LED	7
1-17	001-7818-91	LED	2
1-18	016-9901-01	VR ENCODER	1
1-19	013-6312-50	TACT SWITCH	2
1-20	060-4017-90	IR RECEIVED	1

No.	PART No.	DESCRIPTION	Q'TY
1-21	076-0616-51	DCP CONNECTOR	1
1-22	-----	SWITCH PWB	1
1-23	373-1116-00	DIAL COVER	1
1-24	947-0603-02	ESC-SUB-ASSY	1
1-25	947-0605-00	VOL-KNOB-ASSY	1
1-26	382-8004-00	RELEASE BUTTON	1
1-27	750-6791-00	SPRING	1
1-28	382-8005-00	SEEK BUTTON	1
1-29	335-7856-00	BASE LEVER	1
1-30	750-6794-00	SPRING	1
1-31	331-4239-00	LEVER HOLDER	1
1-32	382-8000-00	BUTTON AM/SRC	1
1-33	382-7999-00	BUTTON ADJ/PLAY	1
1-34	382-7998-00	BUTTON 246	1
1-35	382-7997-00	BUTTON 135	1
1-36	382-8002-00	BUTTON D/Z	1
1-37	382-8003-00	BUTTON BND	1
1-38	382-8006-00	BUTTON ISR/T	1
1-39	335-7850-02	REAR COVER	1
1-40	716-0872-62	SPECIAL SCREW (M1.7x6)	4

Main section



No.	PART No.	DESCRIPTION	Q'TY
1	346-0173-00	LEATHER SHEET	1
2	291-0092-00	STICKER	1
3	613-0757-00	FAN GEAR	1
4	716-3546-51	DECORATIVE SCREW (M2x1.5)	3
5	738-1722-1H	PRECISION SCREW (M1.7x2.2)	3
6	335-7505-00	HOOK	1
7	750-6793-02	SPRING	1
8	331-3924-01	DCP HOLDER	1
9	290-8458-00	LABEL	1
10	714-2606-8H	MC SCREW (M2.6x6)	2
11	335-7373-01	HOOK DCP	1
12	750-3454-00	SPRING	1
13	341-1764-00	SHAFT	1
14	382-7255-00	BUTTON	1
15	370-6142-02	INNER ESC	1
16	331-3926-00	ARM-R	1
17	613-0730-00	GEAR DAMPER	1
18	780-2004-51	SPECIAL SCREW (M2x4)	1
19	716-1764-50	SPECIAL SCREW (M1.7x5)	7
20	335-7371-00	HOOK SLEEVE	1
21	750-6783-00	SPRING	1
22	335-7368-00	ILLUMI PLATE	1
23	335-7370-00	DETECTOR HOOK	1
24	013-7201-50	DETECTOR SWITCH	1
25	074-1279-68	OUTLET SOCKET	1
26	074-1220-51	OUTLET SOCKET	1
27	039-2694-00	DCP PWB	1
28	013-6312-50	TACT SWITCH	1
29	001-7062-90	DIODE	1

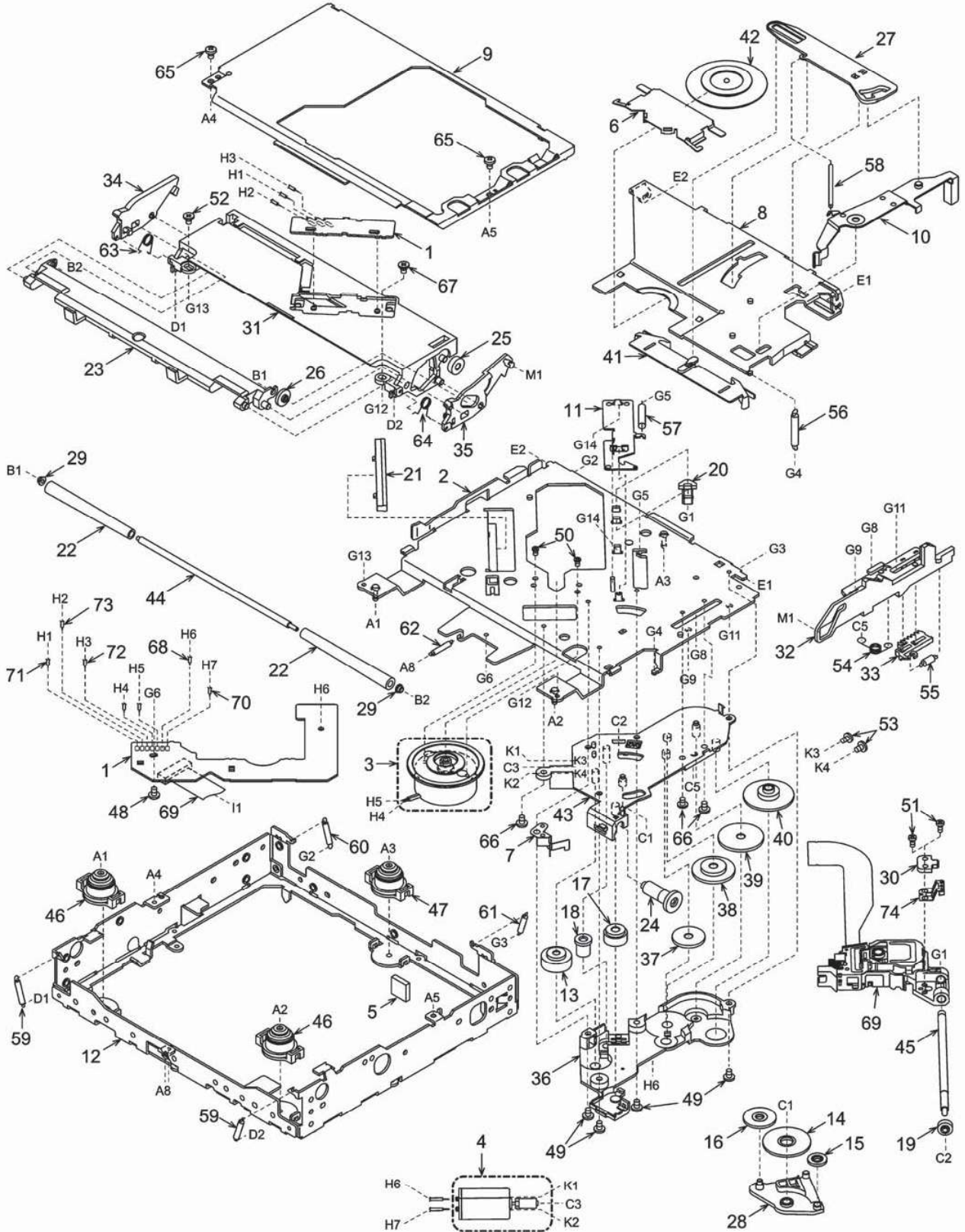
No.	PART No.	DESCRIPTION	Q'TY
30	716-1764-51	SPECIAL SCREW (M1.7x5)	1
31	331-3925-00	ARM-L	1
32	750-3341-00	SPRING	1
33	335-7369-01	HOOK LOCK	1
34	345-5587-00	RUBBER	1
35	731-3005-8B	TAPTIGHT (M3x5)	3
36	714-2604-8B	MC SCREW (M2.6x4)	3
37	331-4234-00	MECH BRACKET	1
38	331-3607-02	MECH BRACKET	1
39	347-3977-0L	SHADE	1
40	929-5003-80	CD MECHA	1
41	331-3366-02	MECH BRACKET	1
42	731-3006-8B	TAPTIGHT (M3x6)	2
43	310-1835-00	UPPER CASE	1
44	335-0833-01	CABLE TIE	1
45	076-0648-18	OUTLET SOCKET	1
46	013-6103-00	TACT SWITCH	1
47	074-1138-60	FPC CONNECTOR	1
48	-----	MAIN PWB	1
49	074-1143-15	FPC CONNECTOR	1
50	335-7501-01	FPC PROTECTOR	1
51	880-2150A	CCC-TUNER	1
52	092-4000-51	ANT RECEPT	1
53	331-3996-00	IC HOLDER	1
54	001-0592-61	DIODE	1
55	855-5536-60	RCA PIN CORD	1
56	074-1214-00	OUTLET SOCKET	1
57	010-8039-00	CHOKE COIL	1
58	074-1194-00	CoNET CONNECTOR	1

No.	PART No.	DESCRIPTION	Q'TY
59	051-2057-00	IC	1
60	051-3349-00	IC	1
61	313-1976-00	HEAT SINK	1
62	731-3008-8B	TAPTIGHT (M3x8)	4
63	714-3006-8B	MC SCREW (M3x8)	2

No.	PART No.	DESCRIPTION	Q'TY
64	731-3012-8B	TAPTIGHT (M3x12)	3
65	345-3799-0L	RUBBER PART	2
66	311-1929-00	LOWER CASE	1
67	276-0058-00	SET PLATE	1

EXPLODED VIEW • PARTS LIST

CD mechanism section 929-5003-80



No.	PART No.	DESCRIPTION	Q'TY
1	-----	SENSOR PWB	1
2	966-1743-21	DRIVE-PLT-ASSY	1
3	SMA-182-100	SPINDLE MOTOR-ASSY	1
4	SMA-183-100	SLED MOTOR-ASSY	1
5	345-5476-20	CUSHION RUBBER	1
6	620-1023-23	CLAMPER PLATE	1
7	620-1026-21	SPRING PLATE	1
8	620-1596-23	CLAMPER LINK	1
9	620-1598-22	UPPER CHASSIS	1
10	620-1752-20	SENSOR ARM	1
11	620-1753-20	ID-LOCK PLATE	1
12	620-1748-21	LOWER CHASSIS	1
13	621-0608-21	SECOND GEAR	1
14	621-0609-20	BASE GEAR	1
15	621-0610-20	IDLE GEAR A	1
16	621-0611-20	IDLE GEAR B	1
17	621-0612-21	ROLLER GEAR A	1
18	621-0620-20	THREAD GEAR A	1
19	621-0621-20	THREAD GEAR B	1
20	621-0623-23	LS-HOLDER	1
21	621-0624-22	GUIDE RAIL	1
22	621-0711-20	LOADING ROLLER	2
23	621-0718-21	ROLLER GUIDE	1
24	621-0719-20	ROLLER GEAR	1
25	621-0720-20	ROLLER GEAR C	1
26	621-0721-20	ROLLER GEAR D	1
27	621-0728-20	STOPPER LINK	1
28	621-1719-20	IDLE CASE	1
29	621-1726-20	ROLLER SLEEVE	2
30	621-1729-20	SH-BASE	1
31	621-1742-20	UPPER GUIDE	1
32	621-1743-20	SHIFT LEVER	1
33	621-1744-20	RACK	1
34	621-1745-20	LOCK ARM L	1
35	621-1746-20	LOCK ARM R	1
36	621-1747-20	GEAR COVER	1
37	621-1748-20	POWER GEAR A	1

No.	PART No.	DESCRIPTION	Q'TY
38	621-1749-20	POWER GEAR B	1
39	621-1750-20	POWER GEAR C	1
40	621-1751-20	POWER GEAR D	1
41	621-1752-20	DISC STOPPER	1
42	621-1753-20	CLAMPER RING	1
43	621-1754-20	GEAR BASE	1
44	622-1571-21	ROLLER SHAFT	1
45	624-0020-00	LEAD SCREW	1
46	629-0086-20	DAMPER F	2
47	629-0087-20	DAMPER R	1
48	716-1507-01	SCREW (M2x3)	1
49	716-1670-01	SCREW (M2x4)	4
50	716-1733-01	SCREW (M1.7x2.3)	2
51	716-3469-01	SCREW (1.7x4)	2
52	716-3473-01	SCREW (M2X3)	1
53	716-3551-00	SCREW (M1.4X2.5)	2
54	750-3467-21	SHIFT SPRING	1
55	750-3468-20	RACK SPRING	1
56	750-3469-20	CLAMPER SPRING	1
57	750-3470-20	ID-LOCK SPRING	1
58	750-3471-20	SENSOR SPRING	1
59	750-3472-21	DR-SPRING F	2
60	750-3473-20	DR-SPRING RA	1
61	750-3474-20	DR-SPRING RB	1
62	750-3475-21	DR-SPRING C	1
63	750-6797-20	ROLLER SPRING L	1
64	750-6798-20	ROLLER SPRING R	1
65	780-2003-01	SCREW (M2x3)	2
66	780-2025-00	SCREW (M2x2.5)	3
67	781-1730-00	SCREW (M1.7x3)	1
68	803-4906-60	VINYL-COAT-WIRE (ORG)	1
69	969-0071-30	PICKUP-ASSY	1
70	816-2590-00	SPECIAL LEAD (GRN)	1
71	816-2591-00	SPECIAL LEAD (YEL)	1
72	816-2592-00	SPECIAL LEAD (BLUE)	1
73	816-2593-00	SPECIAL LEAD (PUR)	1
74	966-1722-20	SH-RACK-ASSY	1

ELECTRICAL PARTS LIST

Main PWB (B1) section

Note:- Several different parts of the same reference number are alternative parts.
One of those parts is used in the set.

REF No.	PART No.	DESCRIPTION	REF No.	PART No.	DESCRIPTION	REF No.	PART No.	DESCRIPTION
ANT101	092-4000-51	ANT-RECEPT	C517	187-1063-35	16V 10uF	C801	168-1822-55	50V 1800pF
BL101	880-2150A	CCC-TUNER	C518	168-3922-55	50V 3900pF	C802	168-1822-55	50V 1800pF
C101	166-1511-50	50V 150pF	C519	168-3922-55	50V 3900pF	C803	168-1822-55	50V 1800pF
C102	166-2201-50	50V 22pF	C520	187-1063-35	16V 10uF	C804	168-1822-55	50V 1800pF
C103	187-1073-35	16V 100uF	C521	187-1063-35	16V 10uF	C805	168-1822-55	50V 1800pF
C104	168-2232-55	50V 0.022uF	C522	168-3922-55	50V 3900pF	C806	168-1822-55	50V 1800pF
C105	168-1522-55	50V 1500pF	C523	168-3922-55	50V 3900pF	C807	168-1822-55	50V 1800pF
C106	168-3322-55	50V 3300pF	C524	187-1063-35	16V 10uF	C808	168-1822-55	50V 1800pF
C107	168-3322-55	50V 3300pF	C610	187-1063-35	16V 10uF	C809	189-2283-32	16V 2200uF
C108	168-1522-55	50V 1500pF	C611	187-1063-35	16V 10uF	C901	168-1042-78	16V 0.1uF
C109	187-1073-35	16V 100uF	C612	187-1063-35	16V 10uF	C902	042-1598-90	470-10V
C110	187-1073-35	16V 100uF	C613	187-1063-35	16V 10uF	C903	187-1073-25	100-10V
C111	168-2232-55	50V 0.022uF	C614	168-1042-78	16V 0.1uF	C904	168-1042-78	16V 0.1uF
C112	187-1073-35	16V 100uF	C615	187-1063-35	16V 10uF	C905	168-1042-78	16V 0.1uF
C113	168-2232-55	50V 0.022uF	C616	187-1063-35	16V 10uF	C906	168-1042-78	16V 0.1uF
C114	187-2253-65	50V 2.2uF	C701	168-1042-78	16V 0.1uF	C907	168-1042-78	16V 0.1uF
C115	187-2253-65	50V 2.2uF	C702	168-1042-78	16V 0.1uF	C908	168-1042-78	16V 0.1uF
C116	166-1011-50	50V 100pF	C703	166-4701-50	50V 47pF	C909	168-1042-78	16V 0.1uF
C117	168-1022-55	50V 1000pF	C704	168-1042-78	16V 0.1uF	C910	168-1042-78	16V 0.1uF
C118	043-0538-50	25V 0.12uF	C705	168-1532-55	50V 0.015uF	C911	168-1042-78	16V 0.1uF
C119	043-0538-50	25V 0.12uF	C706	168-1032-55	50V 0.01uF	C912	187-1063-35	16V 10uF
C120	168-2732-55	50V 0.027uF	C707	168-4722-55	50V 4700pF	C913	187-4763-35	16V 47uF
C121	168-2732-55	50V 0.027uF	C708	168-1522-55	50V 1500pF	C914	168-1032-55	50V 0.01uF
C122	178-2242-78	50V 0.22uF	C709	168-1042-78	16V 0.1uF	C915	187-4763-35	16V 47uF
C123	178-2242-78	50V 0.22uF	C710	168-1042-78	16V 0.1uF	C916	168-1042-78	16V 0.1uF
C124	168-1042-78	16V 0.1uF	C711	168-1532-55	50V 0.015uF	C917	168-1022-55	50V 1000pF
C125	168-1042-78	16V 0.1uF	C712	168-1042-78	16V 0.1uF	CCT201	050-0148-51	CCT 47K
C126	168-5632-55	50V 0.056uF	C713	168-1042-78	16V 0.1uF	CCT701	050-0148-51	CCT 47K
C207	166-2201-50	50V 22pF	C714	166-6811-50	50V 680pF	D201	001-7062-90	LED
C208	166-1801-50	50V 18pF	C715	166-6801-50	50V 68pF	D202	001-1310-00	KDS160
C209	042-0423-94	10V 4.7uF	C716	168-1042-78	16V 0.1uF	D203	001-1310-00	KDS160
C211	168-1032-55	50V 0.01uF	C717	178-1052-78	16V 1uF	D205	001-2626-90	KDR357
C212	178-2242-78	50V 0.22uF	C720	178-1052-78	16V 1uF	D401	001-0529-24	MA8043H
C213	168-1032-55	50V 0.01uF	C721	187-1073-15	6.3V 100uF	D701	001-1313-00	KDS226
C214	168-1032-55	50V 0.01uF	C722	178-1052-78	16V 1uF	D801	001-0592-61	1N5404
C216	168-1032-55	50V 0.01uF	C728	168-3332-78	50V 0.033uF	D802	001-2003-91	1A4-J
C219	168-2232-55	50V 0.022uF	C729	168-6822-55	50V 6800pF	D803	001-2003-91	1A4-J
C220	166-1011-50	50V 100pF	C730	168-1042-78	16V 0.1uF	D804	001-2003-91	1A4-J
C221	168-1042-78	16V 0.1uF	C731	168-1042-78	16V 0.1uF	D805	001-1310-00	KDS160
C222	168-1042-78	16V 0.1uF	C732	168-4732-78	50V 0.047uF	D806	001-1310-00	KDS160
C223	187-1073-35	16V 100uF	C733	168-4732-78	50V 0.047uF	D807	001-0529-43	MA8082M
C224	042-0650-01	5.5V 0.22uF	C734	166-4711-50	50V 470pF	D808	001-1310-00	KDS160
C226	168-1042-78	16V 0.1uF	C735	166-4711-50	50V 470pF	D809	001-2003-91	1A4-J
C404	187-1063-35	16V 10uF	C736	187-2263-35	16V 22uF	D901	001-4312-32	02DZ5.6Y
C405	168-1042-78	16V 0.1uF	C738	168-1042-78	16V 0.1uF	D902	001-2003-91	1A4-J
C501	172-1041-15	50V 0.1uF	C739	187-1073-25	10V 100uF	D903	001-4312-26	02DZ4.7Y
C502	187-1053-65	50V 1uF	C740	168-1042-78	16V 0.1uF	IC202	052-3968-00	uPD703271YGC -8EA
C503	187-2253-65	50V 2.2uF	C741	168-1042-78	16V 0.1uF	IC203	051-5456-90	BU4220G
C504	187-1063-35	16V 10uF	C742	168-1042-78	16V 0.1uF	IC402	051-3049-90	HA17558F
C505	178-4742-78	25V 0.47uF	C743	168-1042-78	16V 0.1uF	IC501	051-2057-00	TB2906HQ
C506	178-4742-78	25V 0.47uF	C744	168-5622-55	50V 5600pF	IC602	051-3049-90	HA17558
C507	178-4742-78	25V 0.47uF	C745	168-1042-78	16V 0.1uF	IC701	051-6399-00	TC94A15FG
C508	178-4742-78	25V 0.47uF	C746	178-1052-78	16V 1uF	IC702	051-6079-90	BA5830FP
C510	168-1042-78	16V 0.1uF	C778	187-4763-35	16V 47uF	IC901	051-3349-00	HA13166
C515	166-4711-50	50V 470pF	C779	168-1042-78	16V 0.1uF	IC902	051-6648-90	HA12240FP
C516	166-4711-50	50V 470pF	C780	168-1042-78	50V 100pF			

REF No.	PART No.	DESCRIPTION	REF No.	PART No.	DESCRIPTION	REF No.	PART No.	DESCRIPTION
IC903	051-3373-90	TAR5S40U	R107	119-3311-15	1/16W 330 ohm	R511	119-3311-15	1/16W 330 ohm
J202	076-0648-18	18P	R108	119-1041-15	1/16W 100K ohm	R512	119-4711-15	1/16W 470 ohm
J600	855-5536-60	RCA-CORD	R110	119-1021-05	1/16W 1K ohm	R513	119-2231-15	1/16W 22K ohm
J701	074-1143-15	15P	R111	119-1021-05	1/16W 1K ohm	R514	119-2231-15	1/16W 22K ohm
J702	074-1138-60	074-1138-60	R112	119-4731-05	1/16W 47K ohm	R515	119-3311-15	1/16W 330 ohm
J801	074-1214-00	074-1214-00	R113	119-4731-05	1/16W 47K ohm	R516	119-4711-15	1/16W 470 ohm
J901	074-1194-00	CE-NET13P	R221	119-1031-15	1/16W 10K ohm	R517	119-4711-15	1/16W 470 ohm
L101	010-2003-04	30uH	R222	119-1031-15	1/16W 10K ohm	R518	119-3311-15	1/16W 330 ohm
L102	010-4215-00	47mH	R223	119-1031-15	1/16W 10K ohm	R519	119-2231-15	1/16W 22K ohm
L103	010-3001-60	6.8uH	R224	119-1031-15	1/16W 10K ohm	R520	119-2231-15	1/16W 22K ohm
L104	010-3001-60	6.8uH	R225	119-1031-15	1/16W 10K ohm	R521	119-3311-15	1/16W 330 ohm
L105	010-3001-60	6.8uH	R226	119-0000-05	1/16W 0 ohm	R522	119-4711-15	1/16W 470 ohm
L106	010-3109-59	120 ohm/100MHz	R227	119-0000-05	1/16W 0 ohm	R613	032-0140-89	1/16W 47K(F) ohm
L201	010-3001-56	2.2uH	R228	119-4721-15	1/16W 4.7K ohm	R614	032-0140-89	1/16W 47K(F) ohm
L401	010-3105-62	1K ohm/10MHz	R229	119-2231-15	1/16W 22K ohm	R615	032-0410-63	1/16W 47K(F) ohm
L503	010-2285-57	1K ohm/100MHz	R230	119-3311-15	1/16W 330 ohm	R616	032-0410-63	1/16W 47K(F) ohm
L504	010-2285-57	1K ohm/100MHz	R233	119-4731-15	1/16W 47K ohm	R617	032-0410-63	1/16W 47K(F) ohm
L505	010-2285-57	1K ohm/100MHz	R234	119-4731-15	1/16W 47K ohm	R618	032-0410-63	1/16W 47K(F) ohm
L506	010-2285-57	1K ohm/100MHz	R235	117-0000-05	1/8W 0 ohm	R619	032-0140-89	1/16W 47K(F) ohm
L507	010-3109-67	120 ohm/100MHz	R236	119-1041-15	1/16W 100K ohm	R620	032-0140-89	1/16W 47K(F) ohm
L508	010-3109-67	120 ohm/100MHz	R241	119-0000-05	1/16W 0 ohm	R701	119-5621-15	1/16W 5.6K ohm
Q101	125-4017-90	KTC4378	R242	119-0000-05	1/16W 0 ohm	R702	119-4731-15	1/16W 47K ohm
Q205	125-2199-92	KRC102S	R243	119-2221-15	1/16W 2.2K ohm	R703	119-3341-15	1/16W 330K ohm
Q206	125-2199-92	KRC102S	R244	119-2221-15	1/16W 2.2K ohm	R704	119-2231-15	1/16W 22K ohm
Q207	125-2199-92	KRC102S	R245	119-2221-15	1/16W 2.2K ohm	R705	119-2231-15	1/16W 22K ohm
Q209	125-3007-90	KTA1298	R253	119-3321-15	1/16W 3.3K ohm	R706	119-2211-15	1/16W 220 ohm
Q211	125-3007-90	KTA1298	R254	119-1531-15	1/16W 15K ohm	R707	119-1001-15	1/16W 10 ohm
Q212	125-4010-90	KTC3875GR	R255	119-3331-15	1/16W 33K ohm	R708	119-6811-15	1/16W 680 ohm
Q216	125-0199-93	KRA103S	R256	119-4731-15	1/16W 47K ohm	R711	119-0000-05	1/16W 0 ohm
Q218	125-9015-92	RN4902	R258	119-1031-15	1/16W 10K ohm	R712	119-1531-15	1/16W 15K ohm
Q219	125-9015-92	RN4902	R259	119-1841-15	1/16W 180K ohm	R713	119-4731-15	1/16W 47K ohm
Q500	125-4010-90	KTC3875GR	R262	119-1031-15	1/16W 10K ohm	R714	119-2731-15	1/16W 27K ohm
Q501	125-4010-90	KTC3875GR	R263	119-4731-15	1/16W 47K ohm	R715	119-2731-15	1/16W 27K ohm
Q502	125-4010-90	KTC3875GR	R264	119-4731-15	1/16W 47K ohm	R716	119-2731-15	1/16W 27K ohm
Q503	125-4010-90	KTC3875GR	R265	119-1031-15	1/16W 10K ohm	R717	119-8231-15	1/16W 82K ohm
Q701	125-3011-90	KTA1663	R267	119-4721-15	1/16W 4.7K ohm	R718	119-8231-15	1/16W 82K ohm
Q708	125-2199-92	KRC102S	R268	119-4721-15	1/16W 4.7K ohm	R719	119-2731-15	1/16W 27K ohm
Q709	125-3007-90	KTA1298	R269	119-1041-15	1/16W 100K ohm	R720	119-1001-15	1/16W 10 ohm
Q801	125-0199-96	KRA106S	R270	119-4721-15	1/16W 4.7K ohm	R721	119-1051-15	1/16W 1M ohm
Q802	125-2199-96	KRC106S	R271	119-4721-15	1/16W 4.7K ohm	R722	119-6811-15	1/16W 680 ohm
Q803	125-3004-90	KTA1504	R273	119-1531-15	1/16W 15K ohm	R723	119-2211-15	1/16W 220 ohm
Q804	125-0199-96	KRA106S	R276	119-3311-15	1/16W 330 ohm	R724	119-2211-15	1/16W 220 ohm
Q805	125-2199-96	KRC106S	R280	119-0000-05	1/16W 0 ohm	R725	119-1041-15	1/16W 100K ohm
Q806	125-4010-90	KTC3875GR	R283	119-0000-05	1/16W 0 ohm	R726	119-0000-05	1/16W 0 ohm
Q901	125-4010-90	KTC3875GR	R286	119-1021-15	1/16W 1K ohm	R729	119-0000-05	1/16W 0 ohm
Q902	125-3004-90	KTA1504	R287	119-1021-15	1/16W 1K ohm	R730	119-0000-05	1/16W 0 ohm
Q903	125-4010-90	KTC3875GR	R407	119-3311-15	1/16W 330 ohm	R731	119-0000-05	1/16W 0 ohm
Q904	125-2199-92	KRC102S	R408	032-0140-89	1/16W 47K(F) ohm	R757	119-3321-15	1/16W 3.3K ohm
Q905	125-2199-92	KRC102S	R409	032-0140-89	1/16W 47K(F) ohm	R763	119-2221-15	1/16W 2.2K ohm
Q906	125-3005-90	KTA1273	R502	119-3331-15	1/16W 33K ohm	R764	119-1031-15	1/16W 10K ohm
Q907	125-3007-90	KTA1298	R503	119-2221-15	1/16W 2.2K ohm	R801	119-1231-15	1/16W 100K ohm
Q908	125-2199-92	KRC102S	R504	119-2221-15	1/16W 2.2K ohm	R802	116-4721-15	1/4W 4.7K ohm
Q909	125-4010-90	KTC3875GR	R505	119-2221-15	1/16W 2.2K ohm	R803	119-1031-15	1/16W 10K ohm
R101	119-1021-05	1/16W 1K ohm	R506	119-2221-15	1/16W 2.2K ohm	R805	119-8221-15	1/16W 8.2K ohm
R102	119-1021-05	1/16W 1K ohm	R507	119-1021-15	1/16W 1K ohm	R806	119-3321-15	1/16W 3.3K ohm
R103	119-4721-15	1/16W 4.7K ohm	R508	119-1021-15	1/16W 1K ohm	R807	119-1021-15	1/16W 1K ohm
R104	119-4721-15	1/16W 4.7K ohm	R509	119-1021-15	1/16W 1K ohm	R808	119-2231-15	1/16W 22K ohm
R106	119-4721-15	1/16W 4.7K ohm	R510	119-1021-15	1/16W 1K ohm	R809	111-1521-98	1/4W 1.5K ohm

REF No.	PART No.	DESCRIPTION	REF No.	PART No.	DESCRIPTION	REF No.	PART No.	DESCRIPTION
R810	119-1021-15	1/16W 1K ohm	R906	119-4721-15	1/16W 4.7K ohm	R920	119-4721-15	1/16W 4.7K ohm
R811	119-4731-15	1/16W 47K ohm	R907	119-4731-15	1/16W 47K ohm	S201	013-6103-00	SW RESET
R812	119-4721-15	1/16W 4.7K ohm	R911	116-1221-15	1/4W 1.2K ohm	SUP101	060-0122-20	DSP-141N-S00B
R813	119-1031-15	1/16W 10K ohm	R912	119-1031-15	1/16W 10K ohm	T801	010-8039-00	COIL
R814	119-8221-15	1/16W 8.2K ohm	R913	119-3321-15	1/16W 3.3K ohm	X202	061-9016-00	32.768KHz
R815	119-6831-15	1/16W 68K ohm	R914	119-1031-15	1/16W 10K ohm	X203	060-1541-90	3.14MHz
R901	119-6831-15	1/16W 68K ohm	R915	119-1231-15	1/16W 12K ohm	X701	060-1535-90	16.934MHz
R902	119-4731-15	1/16W 47K ohm	R916	119-1031-15	1/16W 10K ohm	PWB	039-2769-03	PWB (WITHOUT COMPONENT)
R903	119-1041-15	1/16W 100K ohm	R917	119-3321-15	1/16W 3.3K ohm			
R904	119-1031-15	1/16W 10K ohm	R918	116-6801-15	1/4W 68 ohm			
R905	119-3321-15	1/16W 3.3K ohm	R919	119-4721-15	1/16W 4.7K ohm			

Switch PWB (B2) section

REF No.	PART No.	DESCRIPTION	REF No.	PART No.	DESCRIPTION	REF No.	PART No.	DESCRIPTION
C1	168-1022-55	50V 1000pF	D7	001-7819-90	LED	R14	119-1241-15	1/16W 120K ohm
C5	178-1052-78	16V 1uF	D8	001-7819-90	LED	R15	119-1011-15	1/16W 100 ohm
C6	178-1052-78	16V 1uF	D9	001-7819-90	LED	R16	119-4731-15	1/16W 47K ohm
D1	001-4312-41	02DZ7.5Y	IC1	051-6013-50	PT6554LQ	R17	116-3311-15	1/4W 330 ohm
D10	001-7819-90	LED	IR1	060-4017-90	RS-671	R3	119-2221-15	1/16W 2.2K ohm
D11	001-4312-50	02DZ10Y	J1	076-0616-51	DCP-16P	R4	119-1031-15	1/16W 10K ohm
D15	001-4902-91	HZM6.8MFA	LCD1	379-1351-41	LCD	R5	116-5611-15	1/4W 560 ohm
D16	001-4312-41	02DZ7.5Y	Q1	125-3007-90	KTA1298	R6	116-3311-15	1/4W 330 ohm
D17	001-7819-90	LED	Q2	125-2199-92	KRC102S	R7	116-3311-15	1/4W 330 ohm
D18	001-7819-90	LED	Q3	125-3007-90	KTA1298	R8	119-1031-15	1/16W 10K ohm
D19	001-4312-50	02DZ10Y	Q4	125-2199-92	KRC102S	R9	119-2221-15	1/16W 2.2K ohm
D2	001-7818-90	LED	R1	116-1511-15	1/4W 150 ohm	S14	013-6312-50	TACT SW
D3	001-7818-90	LED	R10	119-1011-15	1/16W 100 ohm	S15	013-6312-50	TACT SW
D4	001-4312-50	02DZ10Y	R11	119-1011-15	1/16W 100 ohm	VR1	016-9901-01	VR ROTARY
D5	001-7819-90	LED	R12	119-2221-15	1/16W 2.2K ohm	PWB	039-2768-01	PWB (WITHOUT COMPONENT)
D6	001-4312-50	02DZ10Y	R13	119-1021-15	1/16W 1K ohm			

DCP PWB (B3) section

REF No.	PART No.	DESCRIPTION	REF No.	PART No.	DESCRIPTION	REF No.	PART No.	DESCRIPTION
D301	001-7062-90	LED	R301	119-1821-15	1/16W 1.8K ohm	PWB	039-2964-00	PWB (WITHOUT COMPONENT)
J301	074-1279-68	DCP-18P	S301	013-6312-50	TACT SW			
J302	074-1220-51	DCP-16P	S302	013-7201-50	TACT SW			

SENSOR PWB (B4) section

REF No.	PART No.	DESCRIPTION	REF No.	PART No.	DESCRIPTION	REF No.	PART No.	DESCRIPTION
D1	001-7058-90	AN1105W-RR	Q1	060-4015-90	PS1192H	S2	013-7413-50	LIMIT
D2	001-7058-90	AN1105W-RR	Q2	060-4015-90	PS1192H	PWB	039-1944-21	PWB (WITHOUT COMPONENT)
J1	074-1138-60	10P	S1	013-7414-50	CHUCKING			

REMOVING MAIN PWB FOR REPAIR

No.	PART No.	PART NAME	Q'TY
A	311-1929-00	LOWER CASE	1
B	039-2769-03	MAIN PWB	1
C	816-4006-60	FLAT WIRE	1
D	731-3005-8B	TAPTIGHT	3
E	929-5003-80	MECHANISM	1
F	313-1976-00	HEAT SINK	1
G	731-3012-8B	TAPTIGHT	3
H	714-3006-8B	MACHINE SCREW	2
I	731-3008-8B	TAPTIGHT	4
J	714-2606-8H	MACHINE SCREW	2
K	370-6142-02	INNER ESCUTCHEON	1
L	-	PICK-UP HEAD CABLE	1
M	714-2604-8B	MC SCREW	3
N	335-0833-01	CABLE TIE	1
P	335-7501-01	FPC PROTECTOR	1
Q	074-1143-15	FPC CONNECTOR	1

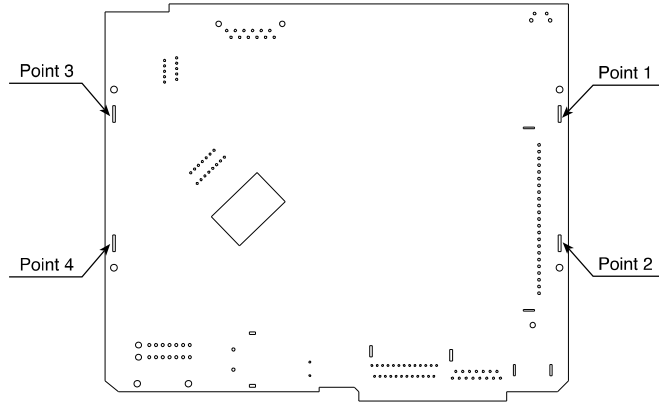
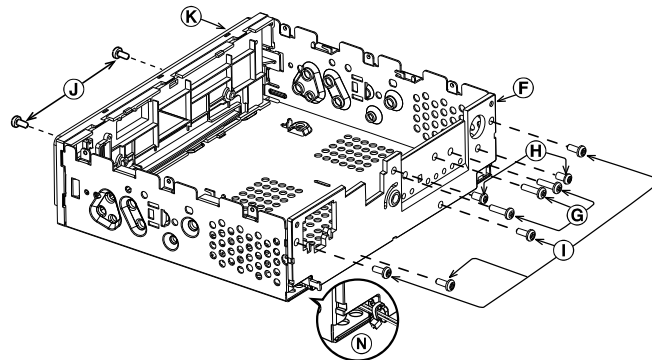
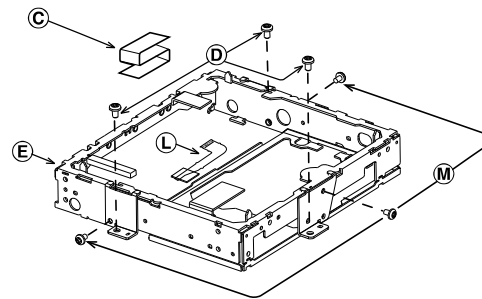
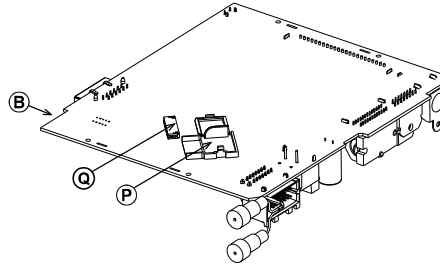
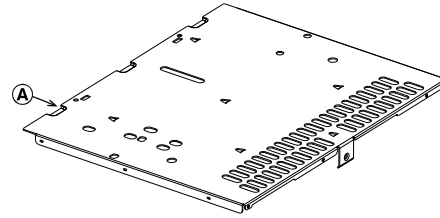


Figure 1

View from bottom side



Step 1

Remove all screw (G), (H), (I), from heat sink (F)
cut off the cable tie (N).

Step 2

Remove heat sink (F).

Step 3

Remove lower case (A).

Step 4

Remove all screw (J), from inner escutcheon (K).

Step 5

Remove inner escutcheon (K).

Step 6

Unsolder 4 points on the main PWB (B), (Figure 1).

Step 7

Open FPC protector (P) unplug the pick-up head
cable (L) from the FPC connector (Q).

Step 8

Remove flat wire (C) between main PWB (B), and
mechanism (E).

Step 9

Remove main PWB (B) for repairing.

Step 10

Unscrew (D) and (M) from the upper case, if the
mechanism (E) needs replacement.