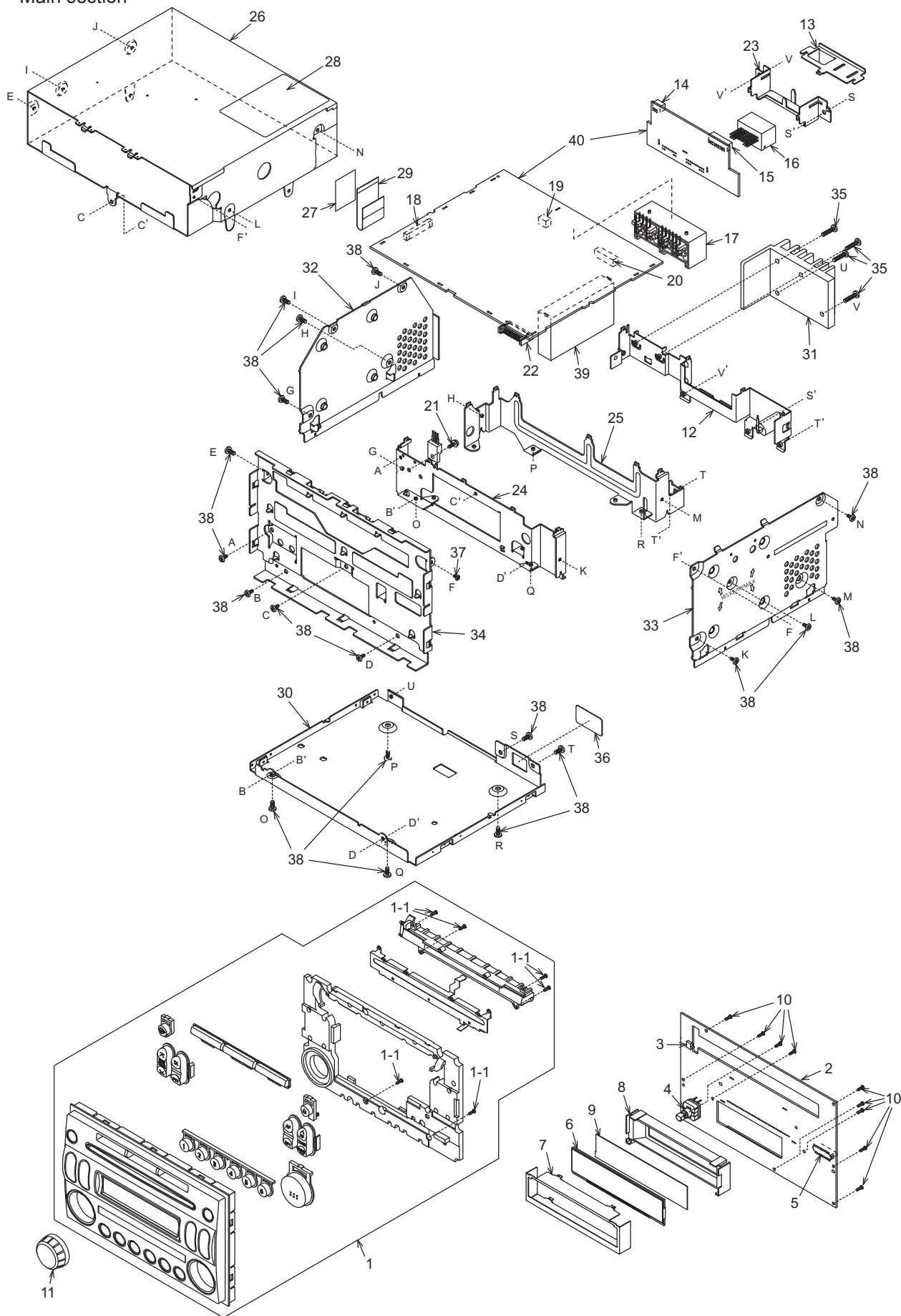


EXPLODED VIEW / PARTS LIST

Main section

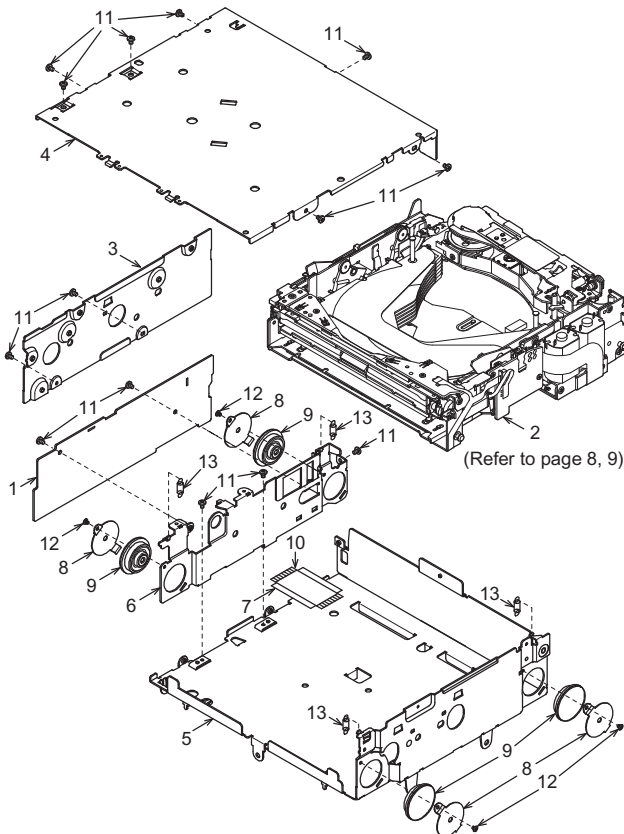


Note) Some parts depend on each model. The model name is specified in the description.

NO.	PART NO.	DESCRIPTION	Q'TY
1	940-8079-20 940-8079-30	ESCUTCHEON ASSY (PN-2666N-A) ESCUTCHEON ASSY (PN-2666N-B)	1
1-1	716-0778-00	WAVE SCREW(2 x 6)	6
2	-----	SWITCH PWB	1
3	013-7415-50	DETECTOR SWITCH	1
4	016-0013-04	VARIABLE RESISTOR	1
5	074-1279-68	OUTLET SOCKET(18P) (TO MAIN PWB)	1
6	379-1286-40	INDICATOR(LCD)	1
7	331-3684-21	LCD COVER	1
8	335-7015-01	LCD HOLDER	1
9	335-7054-01	LCD REFLECTOR	1
10	716-0778-00	WAVE SCREW(2 x 6)	9
11	380-5568-00	KNOB	1
12	331-3238-11 331-3238-31	REAR PLATE(with ANT.recept) (PN-2666N-A) REAR PLATE(with ANT.recept) (PN-2666N-B)	1
13	331-3257-21	CONNECTOR HOLDER B	1
14	074-0898-06	OUTLET SOCKET (6P) (TO MAIN PWB)	1
15	074-0898-18	OUTLET SOCKET (18P) (TO MAIN PWB)	1
16	074-1087-12	OUTLET SOCKET (A16)	1
17	074-1141-00	OUTLET SOCKET (NS06/10)	1
18	074-1192-22	OUTLET SOCKET (22P) (TO CD CHANGER)	1

NO.	PART NO.	DESCRIPTION	Q'TY
19	076-0368-06	PLUG (6P)	1
20	076-0368-18	PLUG (18P)	1
21	716-1494-00	IT SCREW (M2.6 x 6)	1
22	076-0648-18	PLUG (18P) (TO SWITCH PWB)	1
23	331-2025-21	CONNECTOR HOLDER A	1
24	331-3236-22	MECHANISM BRACKET (FR)	1
25	331-3237-21	MECHANISM BRACKET (RR)	1
26	929-0196-80	CD CHANGER MODULE	1
27	335-6788-01	MOLDED PART	1
28	286-6514-56 286-6514-57	SETPLATE(PN-2666N-A) SETPLATE(PN-2666N-B)	1
29	816-2563-10	FLAT WIRE(TO CD CHANGER)	1
30	311-1834-23	LOWER CASE	1
31	313-1933-10	HEAT SINK	1
32	331-3258-22	SIDE CASE (L)	1
33	331-3259-22	SIDE CASE (R)	1
34	331-3265-21	ESCUTCHEON PLATE	1
35	714-2612-81	MACHINE SCREW (M2.6 x 12)	4
36	347-6623-01	SPACER	1
37	714-2004-81	MACHINE SCREW (M2 x 4)	1
38	714-2605-81	MACHINE SCREW (M2.6 x 5)	19
39	880-2090S 880-2090D	AM/FM TUNER(PN-2666N-A) AM/FM TUNER(PN-2666N-B)	1
40	-----	MAIN PWB	1

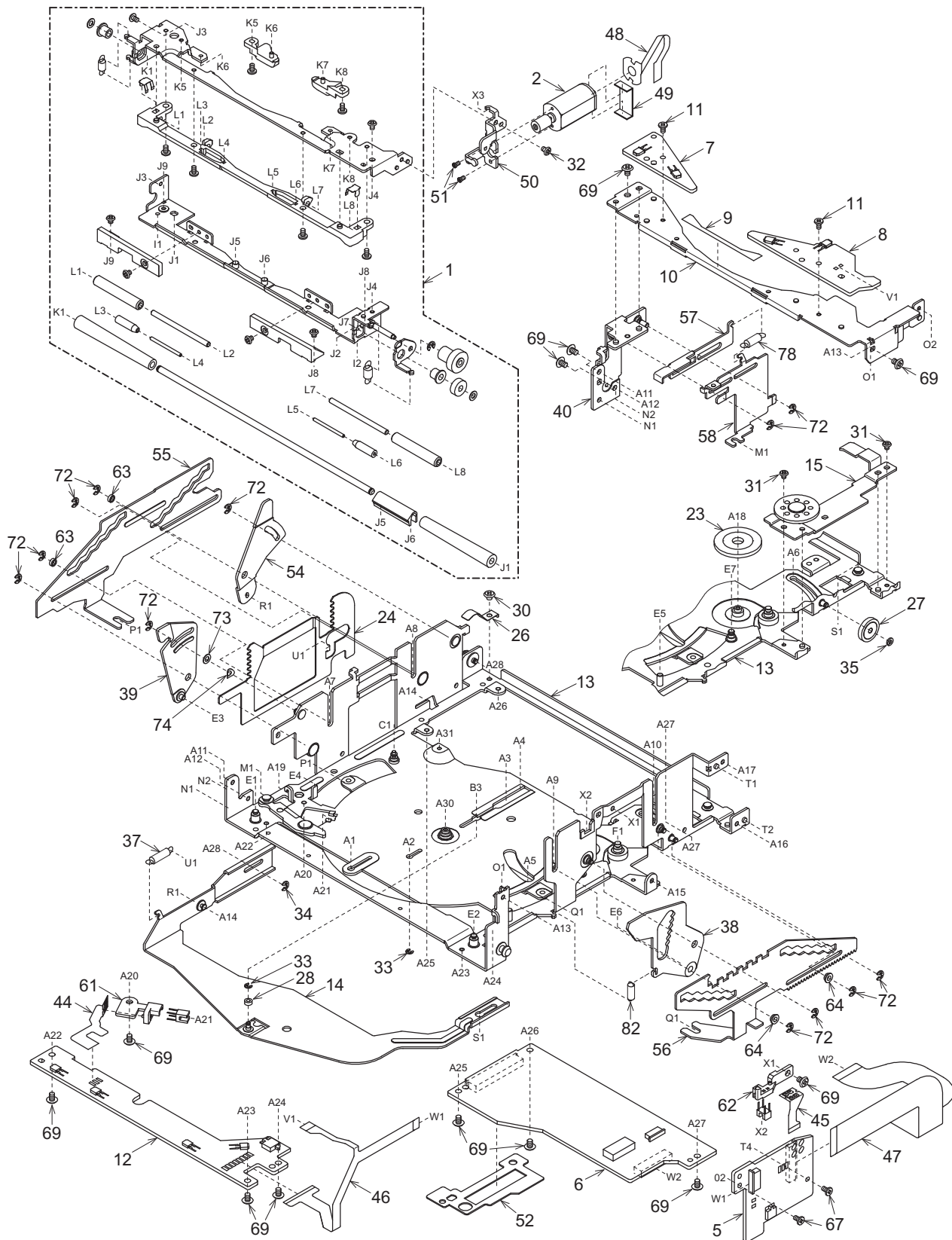
Main section : CD changer module

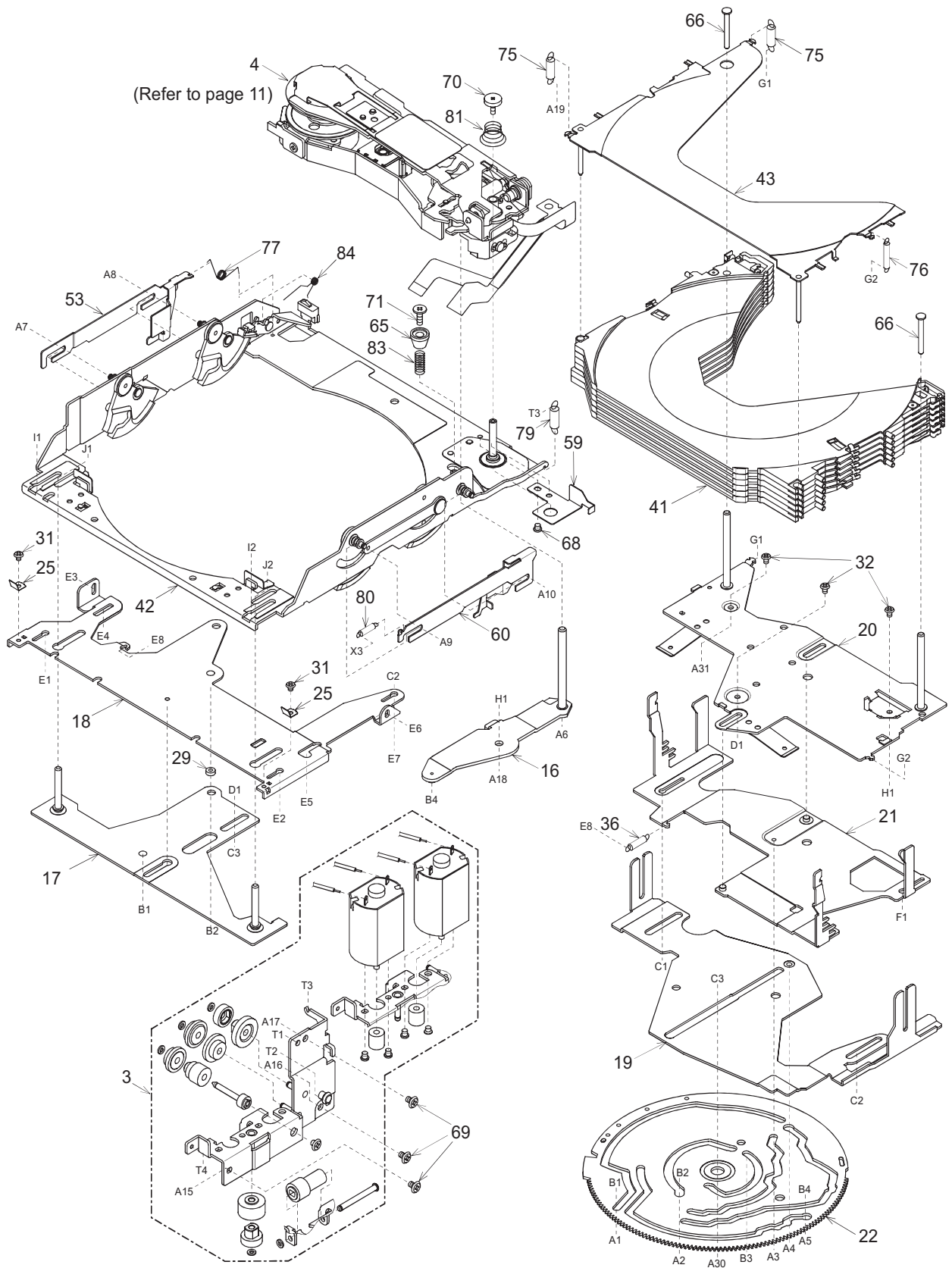


NO.	PART NO.	DESCRIPTION	Q'TY
1	-----	SIDE PWB	1
2	-----	CD CHANGER MECHANISM	1
3	305-0315-21	SIDE CVR	1
4	310-1741-23	UPPER CASE	1
5	311-1837-25	LOWER CASE	1
6	331-3266-24	PWB-HOLDER	1
7	347-6619-00	INSULATOR	1
8	620-1086-20	DAMPER-H-PLT	4
9	629-0083-01	DAMPER	4
10	039-1957-01	FPC (WITHOUT COMPONENT)	1
11	716-1716-00	SCREW (M2 x 3)	14
12	716-3450-00	SCREW (M1.7 x 2)	4
13	750-3491-00	FL-SPRING	4

CD changer mechanism section : CD changer module

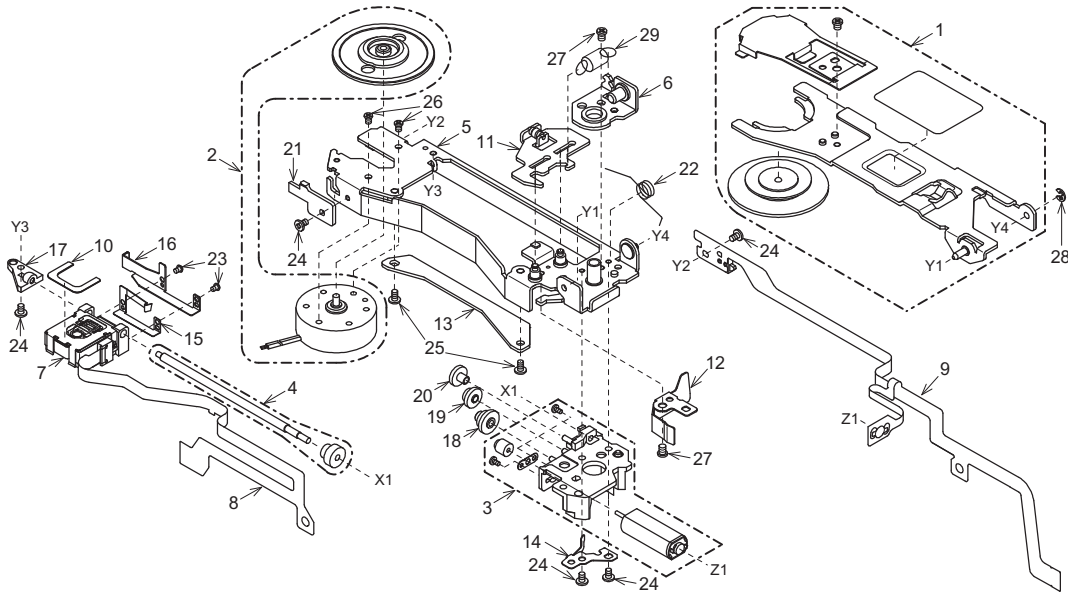
* The parts list is on page 10.





NO.	PART NO.	DESCRIPTION	Q'TY	NO.	PART NO.	DESCRIPTION	Q'TY
1	HBS-521-100	LOADING UNIT (WITHOUT MOTOR)	1	44	039-2009-00	PIM-FPC (WITHOUT COMPONENT)	1
2	SMA-186-100	LOADING MOTOR-ASSY	1	45	039-2010-00	PIV-FPC (WITHOUT COMPONENT)	1
3	HBS-530-100	MTR-P-SUB-ASSY	1	46	039-2012-00	SENSOR-FPC (WITHOUT COMPONENT)	1
4	HBS-531-103	DRIVE UNIT	1	47	039-2013-02	MOS-FPC (WITHOUT COMPONENT)	1
5	-----	DRIVER PWB	1	48	039-2014-01	L-MOTOR-FPC (WITHOUT COMPONENT)	1
6	-----	CD-PWB	1	49	347-6657-01	LO-COVER SHEET	1
7	-----	LED-L-PWB	1	50	620-1576-20	LO-MOTOR-PLT	1
8	-----	LED-R-PWB	1	51	738-1422-11	SCREW (M1.4 x 2.2)	2
9	039-2011-01	LED-FPC (WITHOUT COMPONENT)	1	52	347-6974-21	FPC COVER	1
10	620-1577-20	FRONT-PLATE	1	53	620-1056-22	HLR-PLATE-L	1
11	716-1866-00	SCREW (M1.7 x 3)	2	54	620-1066-20	LOCK LINK-LR	1
12	-----	SENSOR PWB	1	55	620-1067-21	SLIDE PLATE L	1
13	966-0597-24	CHASSIS-ASSY	1	56	620-1068-22	SLIDE PLATE-R	1
14	966-0600-23	LOCK-P-RE-ASSY	1	57	620-1071-21	EJECT ARM	1
15	966-0601-21	M-GEAR-P-ASSY	1	58	620-1072-20	EJECT PLATE	1
16	966-0602-24	DR-LINK-ASSY	1	59	620-1083-20	FPC-PLATE	1
17	966-0603-21	MODE-P-ASSY	1	60	620-1580-20	HLR-PLATE-R	1
18	966-0604-24	LOCK-PF-ASSY	1	61	621-0641-21	PI-HOLDER-M	1
19	966-0605-20	SHIFT-P-ASSY	1	62	621-0656-21	PI-HOLDER-V	1
20	966-0607-26	COV-PLATE-ASSY	1	63	622-1622-20	SL-G-ROLLER	2
21	966-0606-23	HLC-PLATE-ASSY	1	64	622-1623-00	SL-G-ROLLER-R	2
22	620-1041-26	GEAR PLATE	1	65	622-1648-23	DU-STP-SLEEVE	1
23	620-1042-20	M-GEAR-H	1	66	622-1650-23	COV-PLATE PIN B	2
24	620-1090-20	GAP PLATE	1	67	716-1866-00	SCREW (M1.7 x 3)	2
25	620-1568-20	RATTLE PLATE-F	2	68	716-1873-00	SCREW (M2 x 1.6)	1
26	620-1604-20	DR-PLATE-SPRING	1	69	716-3449-00	SCREW (M2 x 3)	15
27	621-0640-20	V-GEAR-G	1	70	716-3459-00	SCREW (M1.7 x 5)	1
28	622-1651-00	LOCK-RE-ROLLER	1	71	716-3466-02	SCREW (M2 x 6)	1
29	622-1652-00	LOCK-PF-ROLLER	1	72	743-1500-10	E-RING	12
30	716-1850-01	SCREW (M2 x 2)	1	73	746-0624-00	WASHER	1
31	716-3450-00	SCREW (M1.7 x 2)	4	74	746-0712-23	WASHER	1
32	716-3451-00	SCREW (M1.7 x 2.5)	4	75	750-3478-01	TOP-P-SP-L	2
33	743-1200-10	E-RING	2	76	750-3479-01	TOP-P-SP-R	1
34	743-1500-10	E-RING	1	77	750-3480-01	DR-LOCK-SP	1
35	746-0761-00	SPECIAL WASHER	1	78	750-3483-00	EJECT-A-SPRING	1
36	750-3485-01	TENTION-SP-L	1	79	750-3484-01	DR-BASE-SPRING	1
37	750-3497-00	GAP-P-SPRING L	1	80	750-3486-01	LO-TENSION-SP	1
38	966-0615-21	LOCK-L-RF-ASSY	1	81	750-3489-01	DRIVE-P-SPRING	1
39	966-0616-20	LOCK-L-LF-ASSY	1	82	750-3496-00	GAP-P-SPRING R	1
40	966-0618-21	EJECT-B-ASSY	1	83	750-6711-01	DU-STP-SPRING	1
41	966-0624-27	DISC-HOL-ASSY	1	84	750-6712-01	DR-LOCK-SP-B	1
42	966-0652-22	DR-BASE-P-ASSY	1				
43	HBS-535-100	TOP PLATE-ASSY	1				

Drive unit section : CD changer module



NO.	PART NO.	DESCRIPTION	Q'TY	NO.	PART NO.	DESCRIPTION	Q'TY
1	HBS-532-101	CLAMP SUB-ASSY	1	15	620-1587-83	SH-SPRING-PLT	1
2	SMA-193-100	SPINDLE MOTOR-ASSY	1	16	620-1730-81	SCREW-HOL-PLT	1
3	SMA-191-100	SLED MOTOR-ASSY	1	17	621-0670-20	LS-HOLDER-L	1
4	HBS-515-101	LS-ASSY	1	18	621-0673-20	D-GEAR-A	1
5	966-0649-82	DRIVE PLT-ASSY	1	19	621-0674-20	D-GEAR-B	1
6	966-0650-20	SPRING-PLT-ASSY	1	20	621-0675-20	D-GEAR-C	1
7	969-0011-01	PICK UP-ASSY	1	21	621-0683-21	DU-STOPPER	1
8	039-2015-01	P/U-FPC (WITHOUT COMPONENT)	1	22	750-3504-00	CLAMP-A-SPRING	1
9	039-2016-02	M/S-FPC (WITHOUT COMPONENT)	1	23	716-3511-00	SCREW(1.4 x 3)	2
10	347-6632-00	PU-SHEET	1	24	716-3470-00	SCREW(M1.7 x 3)	5
11	HBS-542-101	D-SHIFT-P-ASSY	1	25	716-3474-00	SCREW(M1.7 x 3)	2
12	620-1078-20	PUSH PLATE	1	26	738-1720-17	PRECISION SCREW(M1.7 x 2)	2
13	620-1080-22	PU-GUIDE-PLATE	1	27	738-2025-17	PRECISION SCREW(M2 x 2.5)	2
14	620-1081-20	SCREW PUSH-PLT	1	28	743-1500-10	E-RING	1
				29	750-3487-00	SHIFT-P-SPRING	1

ELECTRICAL PARTS LIST

Main PWB(B1) section

Note) Some parts depend on each model. The model name is specified in the description.

REF No.	PART No.	DESCRIPTION	REF No.	PART No.	DESCRIPTION	REF No.	PART No.	DESCRIPTION
ANT101	331-3238-31	REAR PLATE with ANT.recept (PN-2666N-B)	C313	178-4742-78	0.47uF	C890	187-1053-67	50V1uF
ANT102	331-3238-11	REAR PLATE with ANT.recept (PN-2666N-A)	C314	178-4742-78	0.47uF	C894	178-1052-78	1uF
BL101	880-2090S	TUNER PACK (PN-2666N-A)	C315	168-1222-55	1200pF K	C895	178-1052-78	1uF
BL101	880-2090D	TUNER PACK (PN-2666N-B)	C316	042-1562-36	50V 1uF	C896	178-1052-78	1uF
C101	168-8222-55	8200pF K	C317	042-1562-36	50V 1uF	C897	178-1052-78	1uF
C102	168-2232-55	0.022uF K	C318	168-1222-55	1200pF K	C898	163-4753-55	35V4.7uF
C103	168-1042-78	16V 0.1uF	C323	178-1842-78	0.18uF	C899	163-4753-55	35V4.7uF
C104	187-4763-17	6.3V47uF	C324	178-1842-78	0.18uF	CCT1	050-0140-54	1/32W 1k ohm x4J
C105	168-2722-55	2700pF K	C325	178-1842-78	0.18uF	CCT402	050-0140-54	1/32W 1k ohm x4J
C106	187-1053-67	50V1uF	C326	178-1842-78	0.18uF	CCT403	050-0140-54	1/32W 1k ohm x4J
C107	166-1011-50	100pF CH	C327	168-8212-55	820pF K	CCT409	050-0140-54	1/32W 1k ohm x4J
C108	166-1011-50	100pF CH	C328	168-8212-55	820pF K	CCT411	050-0140-54	1/32W 1k ohm x4J
C109	168-3312-55	330pF K	C329	168-8212-55	820pF K	CCT412	050-0140-54	1/32W 1k ohm x4J
C111	166-1801-50	18pF CH	C330	168-8212-55	820pF K	CCT413	050-0140-54	1/32W 1k ohm x4J
C113	166-1007-50	10pF CH	C331	042-1562-17	16V 10uF	CCT414	050-0140-54	1/32W 1k ohm x4J
C114	168-1032-55	0.01uF K	C332	042-1562-17	16V 10uF	CCT416	050-0140-54	1/32W 1k ohm x4J
C115	166-2201-50	22pF CH	C333	168-1832-55	0.018uF K	CCT417	050-0140-54	1/32W 1k ohm x4J
C117	168-1022-55	1000pF K	C409	168-2232-55	0.022uF K	D150	001-3205-90	1SV251 (PN-2666N-A)
C119	168-2232-55	0.022uF K	C416	166-1011-50	100pF CH	D151	001-3205-90	1SV251 (PN-2666N-A)
C120	187-4763-37	16V47uF	C417	166-1011-50	100pF CH	D406	001-0516-90	MA111
C124	187-4763-37	16V47uF	C420	188-4763-17	6.3V 47uF	D502	001-0504-48	HZS9C2L
C127	168-2232-55	0.022uF K	C421	168-1042-78	16V 0.1uF	D503	001-0466-90	S5688B
C130	168-2232-55	0.022uF K	C422	168-1022-55	1000pF K	D504	001-0466-90	S5688B
C131	187-1073-37	16V100uF	C423	168-1042-78	16V 0.1uF	D506	001-0504-48	HZS9C2L
C132	168-2232-55	0.022uF K	C424	168-1032-55	0.01uF K	D552	001-0504-49	HZS9 C3L
C133	178-1052-78	1uF	C429	166-1011-50	100pF CH	D602	001-0347-34	MA4062L
C134	187-4753-67	50V4.7uF	C430	168-1032-55	0.01uF K	D605	001-0466-90	S5688B
C139	168-2732-55	16V 0.027uF K	C501	168-1042-78	16V 0.1uF	D606	001-0330-90	1SS119
C140	168-2732-55	16V 0.027uF K	C502	187-1073-37	16V100uF	D607	001-2015-00	RL253
C141	168-2732-55	16V 0.027uF K	C504	042-1548-03	16V 100uF	D608	001-0466-90	S5688B
C142	168-1042-78	16V 0.1uF	C505	168-1042-78	16V 0.1uF	IC101	051-6201-90	LC72146M
C143	168-1042-78	16V 0.1uF	C506	163-1073-35	16V100uF	IC104	051-4603-90	TA2083FN (PN-2666N-A)
C146	168-1042-78 (PN-2666N-A)	16V 0.1uF	C507	187-1073-37	16V100uF	IC302	051-5027-00	LC75412WH
C147	168-1032-55	0.01uF K	C509	042-0423-94	10V 4.7uF	IC404	052-3185-40	M30620MCA-4S3GP
C148	168-1022-55	1000pF K	C510	168-1042-78	16V 0.1uF	IC405	051-5436-08	S-80933ANMP-DDX
C150	119-0000-05	1/10W 0 ohm JW	C511	042-0592-58	16V 10uF	IC501	051-1834-00	LM2936Z-5.0
C151	166-4701-50	47pF CH (PN-2666N-A)	C515	163-4763-35	16V47uF	IC601	051-5418-08	S-80827ANMP-EDQ
C152	168-4722-55	4700pF K	C516	168-1042-78	16V 0.1uF	IC707	051-0350-93	NJM4558M
C153	166-4701-50	47pF CH (PN-2666N-A)	C517	042-0595-62	16V 10uF	IC808	051-2042-00	TA8275H
C154	168-1022-55	1000pF K (PN-2666N-A)	C554	187-1063-57	35V10uF	J402	074-1192-22	22P
C155	166-2201-50	22pF CH (PN-2666N-A)	C555	168-2232-55	0.022uF K	J601	074-1141-00	NS10+6
C156	168-4732-78	0.047uF K (PN-2666N-A)	C601	168-2232-55	0.022uF K	J1001	074-1087-12	OUTLET SOCKET
C157	168-6812-55	680pF K (PN-2666N-A)	C602	168-2222-55	2200pF K	L101	010-6009-88	220uH
C158	168-1032-55	0.01uF K (PN-2666N-A)	C603	168-2222-55	2200pF K	L150	010-2198-65	0.1uH (PN-2666N-A)
C159	168-3332-78	0.033uF K (PN-2666N-A)	C604	168-2222-55	2200pF K	L151	010-2198-53	5.6uH (PN-2666N-A)
C160	168-3922-55	3900pF K (PN-2666N-A)	C605	168-2222-55	2200pF K	L152	010-2003-04	30uH
C161	168-1032-55	0.01uF K (PN-2666N-A)	C606	168-2222-55	2200pF K	L153	010-2312-52	0.27uH (PN-2666N-A)
C162	168-1032-55	0.01uF K (PN-2666N-A)	C607	168-2222-55	2200pF K	L154	010-2046-41	560uF (PN-2666N-A)
C163	187-1053-67	50V1uF (PN-2666N-A)	C608	168-2222-55	2200pF K	L401	010-3406-66	NLV25 22uH J
C305	042-1562-68	16V 22uF	C609	168-2222-55	2200pF K	L601	010-8021-00	490uH
C307	042-1562-36	50V 1uF	C610	168-2222-55	2200pF K	P1	076-0648-18	18P
C312	042-1562-36	50V 1uF	C611	172-1041-15	0.1uF	P201	076-0368-18	18P
			C612	189-3383-32	16V 3300uF	P202	076-0368-06	PLUG(6P)
			C613	188-1053-68	50V 1uF	P1001	074-0898-18	18P
			C614	172-1041-15	0.1uF	P1002	074-0898-06	OUTLET SOCKET(6P)
			C615	188-1063-38	16V 10uF	Q101	198-0669-00	2SK669
			C743	042-1562-17	16V 10uF	Q102	190-1162-00	2SA1162
			C744	042-1562-15	10V 220uF	Q103	190-1162-00	2SA1162
			C745	166-2201-50	22pF CH	Q106	125-2005-91	UN2211
			C866	168-5622-55	5600pF K	Q108	125-2005-91	UN2211 (PN-2666N-A)
			C867	168-1032-55	0.01uF K	Q150	125-2005-91	UN2211 (PN-2666N-A)
			C872	168-1032-55	0.01uF K			
			C877	168-1042-78	16V 0.1uF			
			C878	168-1042-78	16V 0.1uF			
			C883	042-0592-73	50V 1uF			
			C884	172-3931-15	0.039uF			
			C885	172-3931-15	0.039uF			
			C886	172-3931-15	0.039uF			
			C887	172-3931-15	0.039uF			
			C888	188-1063-38	16V 10uF			

REF No.	PART No.	DESCRIPTION	REF No.	PART No.	DESCRIPTION	REF No.	PART No.	DESCRIPTION
Q151	193-0601-00	2SD601A (PN-2666N-A)	R155	119-1021-15	1/10W 1k ohm (PN-2666N-A)	R489	119-4731-15	1/10W 47k ohm
Q152	193-0601-00	2SD601A (PN-2666N-A)	R156	119-1021-15	1/10W 1k ohm (PN-2666N-A)	R491	119-4731-15	1/10W 47k ohm
Q153	125-2005-91	UN2211 (PN-2666N-A)	R157	119-8201-15	1/10W 82 ohm (PN-2666N-A)	R493	119-4731-15	1/10W 47k ohm
Q406	125-2005-91	UN2211	R159	119-4741-15	1/10W 470k ohm (PN-2666N-A)	R494	119-4731-15	1/10W 47k ohm
Q415	125-2005-91	UN2211	R160	119-4741-15	1/10W 470k ohm (PN-2666N-A)	R495	119-4731-15	1/10W 47k ohm
Q416	193-0601-00	2SD601A	R161	119-1021-15	1/10W 1k ohm (PN-2666N-A)	R497	119-1021-15	1/10W 1k ohm
Q417	125-2005-91	UN2211	R162	119-1021-15	1/10W 1k ohm (PN-2666N-A)	R498	119-1021-15	1/10W 1k ohm
Q418	125-0001-91	UN2111	R163	119-2231-15	1/10W 22k ohm (PN-2666N-A)	R499	119-4721-15	1/10W 4.7k ohm
Q502	193-2118-00	2SD2118F5 Q,R,S	R164	119-1031-15	1/10W 10k ohm (PN-2666N-A)	R502	116-3911-15	1/4W 390 ohm
Q503	193-1858-00	2SD1858	R314	119-1821-15	1/10W 1.8k ohm	R503	119-1031-15	1/10W 10k ohm
Q505	125-2005-91	UN2211	R315	119-1821-15	1/10W 1.8k ohm	R504	116-1011-15	1/4W 100 ohm
Q506	190-1048-00	2SA1048	R316	119-3931-15	1/10W 39k ohm	R505	119-4721-15	1/10W 4.7k ohm
Q507	191-1205-60	2SB1205 R,S,T	R317	119-3931-15	1/10W 39k ohm	R506	119-1021-15	1/10W 1k ohm
Q508	125-0001-91	UN2111	R351	119-4721-15	1/10W 4.7k ohm	R507	119-1031-15	1/10W 10k ohm
Q509	125-2005-91	UN2211	R352	119-4721-15	1/10W 4.7k ohm	R508	116-7501-15	1/4W 75 ohm
Q512	193-1858-00	2SD1858	R355	119-4721-15	1/10W 4.7k ohm	R509	116-2201-15	1/4W 22 ohm
Q513	125-2005-91	UN2211	R356	119-4721-15	1/10W 4.7k ohm	R510	116-2201-15	1/4W 22 ohm
Q514	191-1197-50	2SB1197K Q,R	R411	119-4721-15	1/10W 4.7k ohm	R512	116-2211-15	1/4W 220 ohm
Q553	103-2353-00	2SD2353	R413	119-3311-15	1/10W 330 ohm	R514	119-1031-15	1/10W 10k ohm
Q554	125-0001-91	UN2111	R414	119-1521-15	1/10W 1.5k ohm	R515	119-1021-15	1/10W 1k ohm
Q555	125-2005-91	UN2211	R415	119-1021-15	1/10W 1k ohm	R552	111-2211-98	1/4W 220 ohm
Q603	193-0601-00	2SD601A	R417	119-1021-15	1/10W 1k ohm	R554	119-1041-15	1/10W 100k ohm
Q607	125-2005-91	UN2211	R418	119-4731-15	1/10W 47k ohm	R601	119-4741-15	1/10W 470k ohm
Q608	191-0709-00	2SB709A Q,R,S	R419	119-1041-15	1/10W 100k ohm	R602	119-2741-15	1/10W 270k ohm
Q609	100-1359-00	2SA1359	R420	119-4721-15	1/10W 4.7k ohm	R605	119-1031-15	1/10W 10k ohm
Q701	125-2005-91	UN2211	R421	119-2241-15	1/10W 220k ohm	R606	119-5611-15	1/10W 560 ohm
Q804	125-4001-90	XN1504	R423	119-4731-15	1/10W 47k ohm	R611	116-1221-15	1/4W 1.2k ohm
Q805	125-4001-90	XN1504	R425	119-2231-15	1/10W 22k ohm	R612	119-4721-15	1/10W 4.7k ohm
Q806	125-0006-90	UN2110	R427	119-3311-15	1/10W 330 ohm	R613	116-1221-15	1/4W 1.2k ohm
Q807	125-0006-90	UN2110	R428	119-4731-15	1/10W 47k ohm	R614	111-5691-98	1/4W 5.6 ohm
Q808	125-9003-92	IMD3	R430	119-3311-15	1/10W 330 ohm	R615	111-5691-98	1/4W 5.6 ohm
R101	119-2221-15	1/10W 2.2k ohm	R431	119-4731-15	1/10W 47k ohm	R616	116-1531-15	1/4W 15k ohm
R102	119-1231-15	1/10W 12k ohm	R432	119-4731-15	1/10W 47k ohm	R617	114-2291-18	1W 2.2 ohm
R103	119-2711-15	1/10W 270 ohm	R433	119-4731-15	1/10W 47k ohm	R624	119-0000-05	1/10W 0 ohm JW
R104	119-1021-15	1/10W 1k ohm	R435	119-4731-15	1/10W 47k ohm	R703	119-2221-15	1/10W 2.2k ohm
R105	119-5631-15	1/10W 56k ohm	R436	119-2231-15	1/10W 22k ohm	R758	119-4731-15	1/10W 47k ohm
R106	119-1031-15	1/10W 10k ohm	R438	119-2231-15	1/10W 22k ohm	R759	119-4731-15	1/10W 47k ohm
R107	116-1201-15	1/4W 12 ohm	R440	119-4731-15	1/10W 47k ohm	R875	119-1231-15	1/10W 12k ohm
R108	116-3311-15	1/4W 330 ohm	R441	119-1021-15	1/10W 1k ohm	R878	119-1831-15	1/10W 18k ohm
R109	119-2221-15	1/10W 2.2k ohm	R443	119-2231-15	1/10W 22k ohm	R904	119-1031-15	1/10W 10k ohm
R110	119-1031-15	1/10W 10k ohm	R444	119-4731-15	1/10W 47k ohm	R905	119-1031-15	1/10W 10k ohm
R111	116-3301-15	1/4W 33 ohm	R447	119-4731-15	1/10W 47k ohm	R906	119-1031-15	1/10W 10k ohm
R112	116-5691-15	1/4W 5.6 ohm	R452	119-1031-15	1/10W 10k ohm	R907	119-1031-15	1/10W 10k ohm
R114	119-2221-15	1/10W 2.2k ohm	R453	119-4731-15	1/10W 47k ohm	R908	119-1031-15	1/10W 10k ohm
R117	119-2221-15	1/10W 2.2k ohm	R455	119-1021-15	1/10W 1k ohm	R909	119-1031-15	1/10W 10k ohm
R118	119-1031-15	1/10W 10k ohm	R456	119-4731-15	1/10W 47k ohm	R910	119-1031-15	1/10W 10k ohm
R119	119-1021-15	1/10W 1k ohm	R457	119-4731-15	1/10W 47k ohm	R912	119-0000-05	1/10W 0 ohm JW
R120	119-5621-15	1/10W 5.6k ohm	R458	119-4731-15	1/10W 47k ohm	R913	119-1031-15	1/10W 10k ohm
R121	119-3311-15	1/10W 330 ohm	R459	119-4731-15	1/10W 47k ohm	R914	119-1031-15	1/10W 10k ohm
R125	119-0000-05	1/10W 0 ohm JW	R460	119-1041-15	1/10W 100k ohm	R915	119-1031-15	1/10W 10k ohm
R127	119-1031-15	1/10W 10k ohm	R461	119-3331-15	1/10W 33k ohm	R916	119-1031-15	1/10W 10k ohm
R130	119-0000-05	1/10W 0 ohm JW	R463	119-4731-15	1/10W 47k ohm	R919	119-1031-15	1/10W 10k ohm
R131	119-0000-05	1/10W 0 ohm JW	R469	119-1031-15	1/10W 10k ohm	R920	119-1031-15	1/10W 10k ohm
R132	119-4741-15	1/10W 470k ohm (PN-2666N-B)	R471	119-4731-15	1/10W 47k ohm	R921	119-8221-15	1/10W 8.2k ohm
R133	119-1021-15	1/10W 1k ohm	R472	119-1041-15	1/10W 100k ohm	R922	119-8221-15	1/10W 8.2k ohm
R134	119-4721-15	1/10W 4.7k ohm	R475	119-5631-15	1/10W 56k ohm	R923	119-1231-15	1/10W 12k ohm
R135	119-1021-15	1/10W 1k ohm	R477	119-1031-15	1/10W 10k ohm	R924	119-1231-15	1/10W 12k ohm
R136	119-1021-15	1/10W 1k ohm	R478	119-1031-15	1/10W 10k ohm	R925	119-2241-15	1/10W 220k ohm
R150	119-0000-05	1/10W 0 ohm JW (PN-2666N-B)	R479	119-1021-15	1/10W 1k ohm	R926	119-2241-15	1/10W 220k ohm
R151	119-0000-05	1/10W 0 ohm JW (PN-2666N-A)	R481	119-4731-15	1/10W 47k ohm	R927	119-2241-15	1/10W 220k ohm
R152	119-0000-05	1/10W 0 ohm JW (PN-2666N-A)	R483	119-4731-15	1/10W 47k ohm	R928	119-2241-15	1/10W 220k ohm
R153	119-4741-15	1/10W 470k ohm (PN-2666N-A)	R485	119-4731-15	1/10W 47k ohm	R1027	119-4731-15	1/10W 47k ohm
R154	119-1031-15	1/10W 10k ohm (PN-2666N-A)	R486	119-4731-15	1/10W 47k ohm	SUP101	060-0122-91	DSP-141N-S00B (PN-2666N-A)
						SUP102	060-0122-91	DSP-141N-S00B
						TC1	004-1580-60	30pF
						VR150	012-5203-63	470k ohm (PN-2666N-A)
						X101	061-1066-00	7.2MHz
						X401	060-1505-50	CSTCC10.0MG-TC
						PWB	039-2378-21	PWB(WITHOUT COMPONENT)

Switch PWB(B2) section

REF No.	PART No.	DESCRIPTION	REF No.	PART No.	DESCRIPTION	REF No.	PART No.	DESCRIPTION
C1101	166-8211-50	820pF	D1148	001-0516-90	MA111	S1103	013-6312-50	SKRP-ABE-010
C1102	168-4732-78	0.047uF	D1149	001-0516-90	MA111	S1104	013-6312-50	SKRP-ABE-010
C1103	168-4732-78	0.047uF	IC1	051-6013-00	LC75854W	S1105	013-6312-50	SKRP-ABE-010
C1104	168-1042-78	16V 0.1uF	J101	074-1279-68	18P	S1106	013-6312-50	SKRP-ABE-010
C1105	042-0416-59	10V33uF	LCD1	379-1286-40	INDICATOR(LCD)	S1107	013-6312-50	SKRP-ABE-010
CCT1101	050-0140-53	1/32W 0 ohm x4J	PL1101	017-0433-88	14V40mA	S1108	013-6312-50	SKRP-ABE-010
D1100	001-7048-96	RAY1112H-75M	PL1102	017-0433-88	14V40mA	S1109	013-6312-50	SKRP-ABE-010
D1101	001-7048-96	RAY1112H-75M	PL1103	017-0433-88	14V40mA	S1110	013-6312-50	SKRP-ABE-010
D1102	001-7048-96	RAY1112H-75M	PL1104	017-0433-88	14V40mA	S1111	013-6312-50	SKRP-ABE-010
D1103	001-7048-96	RAY1112H-75M	PL1105	017-0433-88	14V40mA	S1112	013-6312-50	SKRP-ABE-010
D1104	001-7048-96	RAY1112H-75M	PL1106	017-0433-88	14V40mA	S1113	013-6312-50	SKRP-ABE-010
D1105	001-7048-96	RAY1112H-75M	PL1107	017-0433-88	14V40mA	S1114	013-6312-50	SKRP-ABE-010
D1106	001-7048-96	RAY1112H-75M	PL1108	017-0433-88	14V40mA	S1115	013-6312-50	SKRP-ABE-010
D1107	001-7048-96	RAY1112H-75M	R1101	119-6831-15	1/10W 68k ohm	S1116	013-6312-50	SKRP-ABE-010
D1108	001-7048-96	RAY1112H-75M	R1102	119-7511-15	1/10W 750 ohm	S1117	013-6312-50	SKRP-ABE-010
D1109	001-7048-96	RAY1112H-75M	R1103	119-7511-15	1/10W 750 ohm	S1118	013-6312-50	SKRP-ABE-010
D1110	001-7048-96	RAY1112H-75M	R1104	119-7511-15	1/10W 750 ohm	S1119	013-6312-50	SKRP-ABE-010
D1111	001-7048-96	RAY1112H-75M	R1105	119-7511-15	1/10W 750 ohm	S1121	013-6312-50	SKRP-ABE-010
D1112	001-7048-96	RAY1112H-75M	R1106	119-7511-15	1/10W 750 ohm	S1122	013-7415-50	SPVG110400
D1113	001-7048-96	RAY1112H-75M	R1107	119-7511-15	1/10W 750 ohm	VR101	016-0013-04	VR
D1145	001-0516-90	MA111	R1108	119-7511-15	1/10W 750 ohm	PWB	039-2380-20	PWB(WITHOUT COMPONENT)
D1146	001-0516-90	MA111	S1101	013-6312-50	SKRP-ABE-010			
D1147	001-0516-90	MA111	S1102	013-6312-50	SKRP-ABE-010			

Side PWB(B3) section : CD changer module

REF No.	PART No.	DESCRIPTION	REF No.	PART No.	DESCRIPTION	REF No.	PART No.	DESCRIPTION
C101	168-1045-56	0.1uF Z	L102	010-3407-68	NLV32 33uH J	R504	119-5621-15	1/10W 5.6k ohm
C102	168-1042-78	16V 0.1uF	Q101	125-2004-92	RN1402	R505	119-1031-15	1/10W 10k ohm
C104	163-1073-15	6.3V100uF	Q102	131-1188-50	2SB1188PQR	R506	119-1041-15	1/10W 100k ohm
C106	163-1063-35	16V10uF	Q103	193-1758-00	2SD1758TK P,Q,R	R507	119-0000-05	1/10W 0 ohm JW
C107	163-1073-15	6.3V100uF	Q104	193-1758-00	2SD1758TK P,Q,R	R509	119-4731-15	1/10W 47k ohm
C108	168-1042-78	16V 0.1uF	Q105	125-0014-92	DTA114EK	R510	119-1031-15	1/10W 10k ohm
C109	168-1042-78	16V 0.1uF	Q106	125-2004-92	RN1402	R511	119-1031-15	1/10W 10k ohm
C110	168-1042-78	16V 0.1uF	Q502	190-1162-00	2SA1162	R512	050-0145-54	1/16W 47k ohm x4
C111	163-1073-35	16V100uF	Q503	190-1162-00	2SA1162	R513	119-1041-15	1/10W 100k ohm
C112	168-2722-55	2700pF K	Q504	192-2712-00	2SC2712	R514	119-2241-15	1/10W 220k ohm
C113	163-2263-35	16V22uF	Q505	125-2004-92	RN1402	R515	119-2241-15	1/10W 220k ohm
C114	163-2263-35	16V22uF	Q506	125-0014-92	DTA114EK	R516	119-2241-15	1/10W 220k ohm
C115	166-3311-50	330pF CH	Q507	125-0002-92	RN2402	R517	119-1041-15	1/10W 100k ohm
C116	166-3311-50	330pF CH	Q508	192-2712-00	2SC2712	R518	119-2241-15	1/10W 220k ohm
C117	166-1011-50	100pF CH	R101	119-4711-15	1/10W 470 ohm	R522	119-1041-15	1/10W 100k ohm
C118	166-1011-50	100pF CH	R102	119-2231-15	1/10W 22k ohm	R524	119-1041-15	1/10W 100k ohm
C119	168-2722-55	2700pF K	R103	119-1821-15	1/10W 1.8k ohm	R526	119-4731-15	1/10W 47k ohm
C120	168-1022-55	1000pF K	R104	119-1831-15	1/10W 18k ohm	R529	119-1021-15	1/10W 1k ohm
C121	163-2263-35	16V22uF	R105	116-1211-15	1/4W 120 ohm	R531	119-1021-15	1/10W 1k ohm
C122	168-1022-55	1000pF K	R106	119-1041-15	1/10W 100k ohm	R532	119-1021-15	1/10W 1k ohm
C123	163-2263-35	16V22uF	R107	119-4731-15	1/10W 47k ohm	R533	119-1021-15	1/10W 1k ohm
C124	042-0403-55	16V 33uF	R108	119-1031-15	1/10W 10k ohm	R535	119-2231-15	1/10W 22k ohm
C125	042-0403-55	16V 33uF	R109	119-1031-15	1/10W 10k ohm	R536	119-2231-15	1/10W 22k ohm
C501	163-1063-35	16V10uF	R110	119-4741-15	1/10W 470k ohm	R538	119-1031-15	1/10W 10k ohm
C502	168-1045-56	0.1uF Z	R111	119-4741-15	1/10W 470k ohm	R539	119-5631-15	1/10W 56k ohm
C503	168-4735-56	0.047uF Z	R112	119-2731-15	1/10W 27k ohm	R541	119-1021-15	1/10W 1k ohm
C504	168-1045-56	0.1uF Z	R113	119-2731-15	1/10W 27k ohm	R542	119-4721-15	1/10W 4.7k ohm
D100	001-0516-90	MA111	R114	119-2731-15	1/10W 27k ohm	R543	119-1041-15	1/10W 100k ohm
D103	001-0504-07	HZS4BLL	R115	119-2731-15	1/10W 27k ohm	R544	119-1041-15	1/10W 100k ohm
D104	001-0516-90	MA111	R116	119-5611-15	1/10W 560 ohm	R545	119-1041-15	1/10W 100k ohm
D105	001-0529-31	MA8056-L	R117	119-5611-15	1/10W 560 ohm	R546	119-1021-15	1/10W 1k ohm
IC501	051-9400-28	BR93LC46F-WE2	R118	119-4731-15	1/10W 47k ohm	R547	119-1021-15	1/10W 1k ohm
IC502	052-5047-23	M30621MCM-8C7GP	R119	119-4731-15	1/10W 47k ohm	R548	119-1021-15	1/10W 1k ohm
IC503	051-5418-08	S-80827ANMP-EDQ	R120	119-3941-15	1/10W 390k ohm	R549	119-1021-15	1/10W 1k ohm
IC504	051-1407-90	NJM4556AM	R121	119-1041-15	1/10W 100k ohm	X501	060-1505-50	10MHz
J101	074-1189-95	45P	R122	119-1041-15	1/10W 100k ohm	PWB	039-2433-20	PWB(WITHOUT COMPONENT)
L102	074-1191-22	22P	R123	119-1041-15	1/10W 100k ohm			
L101	010-3071-65	18uH	R124	119-1041-15	1/10W 100k ohm			
			R125	119-1041-15	1/10W 100k ohm			
			R126	119-2221-15	1/10W 2.2k ohm			

CD PWB(B4) section : CD changer module

REF No.	PART No.	DESCRIPTION	REF No.	PART No.	DESCRIPTION	REF No.	PART No.	DESCRIPTION
C2	046-1022-58	1000pF	C40	045-1211-50	120pF	R18	033-1031-15	1/10W 10k ohm
C3	168-1042-78	16V 0.1uF	C41	045-1011-50	100pF	R19	033-5621-15	1/10W 5.6k ohm
C4	042-0636-54	4V 220uF	C42	168-1042-78	16V 0.1uF	R20	033-6831-15	1/10W 68k ohm
C5	168-1042-78	16V 0.1uF	C43	042-0636-52	4V 47uF	R21	033-5621-15	1/10W 5.6k ohm
C6	168-1032-78	0.01uF	C50	168-1042-78	16V 0.1uF	R22	033-1031-15	1/10W 10k ohm
C7	168-1042-78	16V 0.1uF	C51	168-1042-78	16V 0.1uF	R23	033-1031-15	1/10W 10k ohm
C8	178-4742-78	0.47uF	C60	168-5612-55	560pF Z	R24	033-4731-15	1/10W 47k ohm
C9	178-2242-78	0.22uF	D1	001-0367-91	1SS226	R25	033-3931-15	1/10W 39k ohm
C10	168-1042-78	16V 0.1uF	IC1	051-6365-00	MN662765TBUC	R26	033-6831-15	1/10W 68k ohm
C11	168-1042-78	16V 0.1uF	IC2	051-9318-00	MSM51V17400D-	R27	033-6831-15	1/10W 68k ohm
C12	168-1042-78	16V 0.1uF		601TS-K		R28	033-1031-15	1/10W 10k ohm
C13	046-2232-78	0.022uF	IC3	051-6060-08	BD7961FMH-E2	R29	033-2201-15	1/10W 22 ohm
C14	168-5612-55	560pF Z	IC4	051-5711-00	AN8882SB-E1	R31	033-8211-15	1/10W 820 ohm
C15	168-1042-78	16V 0.1uF	J1	074-1189-95	45P	R32	033-5631-15	1/10W 56k ohm
C16	046-2212-58	220pF	J4	074-1138-56	6P	R33	033-6831-15	1/10W 68k ohm
C17	046-2212-58	220pF	J5	074-1201-65	15P	R34	033-3331-15	1/10W 33k ohm
C18	168-1222-55	1200pF K	J6	074-1059-76	26P	R35	033-6831-15	1/10W 68k ohm
C19	046-3322-58	3300pF	L2	010-2155-93	10uH	R38	033-3931-15	1/10W 39k ohm
C20	168-3932-78	0.039uF K	Q2	131-1188-00	2S81188	R39	033-1831-15	1/10W 18k ohm
C21	168-3932-78	0.039uF K	Q3	131-1188-00	2S81188	R40	117-1001-15	1/8W 10 ohm
C22	042-0416-52	10V 10uF M TAN	R2	033-1041-15	1/10W 100k ohm	R41	033-6821-15	1/10W 6.8k ohm
C25	178-1052-78	1uF	R4	033-3311-15	1/10W 330 ohm	R42	033-6821-15	1/10W 6.8k ohm
C26	042-0472-91	16V 47uF	R5	033-1041-15	1/10W 100k ohm	R43	033-3331-15	1/10W 33k ohm
C27	178-3342-78	0.33uF	R6	033-3931-15	1/10W 39k ohm	R44	033-5631-15	1/10W 56k ohm
C29	168-2732-55	16V 0.027uF K	R7	033-1041-15	1/10W 100k ohm	R45	116-4711-15	1/4W 470 ohm
C30	042-0416-58	4V 100uF M TAN	R8	033-5611-15	1/10W 560 ohm	R46	117-1811-15	1/8W 180 ohm
C31	042-0636-52	4V 47uF	R9	033-5611-15	1/10W 560 ohm	R47	116-4711-15	1/4W 470 ohm
C32	046-1022-58	1000pF	R10	033-1011-15	1/10W 100 ohm	R48	033-1031-15	1/10W 10k ohm
C33	046-3322-58	3300pF	R11	033-3911-15	1/10W 390 ohm	R49	033-1011-15	1/10W 100 ohm
C34	168-2732-55	16V 0.027uF K	R12	033-2221-15	1/10W 2.2k ohm	R50	050-0140-74	1/32W 12k ohm x 4J
C35	178-2742-78	0.27uF	R13	033-6831-15	1/10W 68k ohm	R60	033-2221-15	1/10W 2.2k ohm
C36	178-1052-78	1uF	R14	033-5621-15	1/10W 5.6k ohm	TM1	073-0768-90	TERMINAL
C37	168-1042-78	16V 0.1uF	R15	033-1021-15	1/10W 1k ohm	X1	060-1527-90	33.8688MHZ
C38	042-0472-91	16V 47uF	R16	033-5631-15	1/10W 56k ohm	PWB	039-2398-20	PWB(WITHOUT COMPONENT)
C39	042-0636-50	6.3V 100uF	R17	033-1031-15	1/10W 10k ohm			

Sensor PWB(B5) section : CD changer module

REF No.	PART No.	DESCRIPTION	REF No.	PART No.	DESCRIPTION
PT3	060-0252-01	PT4850F	S1	013-7414-50	SPVG22
PT4	060-0252-01	PT4850F	PWB	039-1956-00	PWB(WITHOUT COMPONENT)

PIM-FPC(B6) section : CD changer module

REF No.	PART No.	DESCRIPTION
IC5	051-5806-02	GPHS95

Driver PWB(B7) section : CD changer module

REF No.	PART No.	DESCRIPTION	REF No.	PART No.	DESCRIPTION
C1	168-1045-56	0.1uF Z	R3	032-0104-59	1/4W 2.2 ohm
C2	163-1073-35	16V100uF	S2	013-7412-50	SPVG21
D1	001-0529-29	MA8051-M	PWB	039-2242-00	PWB(WITHOUT COMPONENT)
IC1	051-6044-18	BA6920FP-Y			

PIV-FPC(B8) section : CD changer module

REF No.	PART No.	DESCRIPTION
IC6	051-5806-01	GPHS93

LED-L-PWB(B9) section : CD changer module

REF No.	PART No.	DESCRIPTION	REF No.	PART No.	DESCRIPTION
LED3	001-7042-00	GL4800	PWB	039-1954-20	PWB(WITHOUT COMPONENT)

LED-R-PWB(B10) section : CD changer module

REF No.	PART No.	DESCRIPTION	REF No.	PART No.	DESCRIPTION
LED5	001-7042-00	GL4800	LED6	001-7042-00	GL4800
			PWB	039-1955-20	PWB(WITHOUT COMPONENT)

L-Motor-FPC(B11) section : CD changer module

REF No.	PART No.	DESCRIPTION
M1	SMA-186-100	LOADING

M/S-FPC(B12) section : CD changer module

REF No.	PART No.	DESCRIPTION	REF No.	PART No.	DESCRIPTION
M2	SMA-193-100	SPINDLE	M3	SMA-191-100	SLED
			S3	013-7414-50	SPVG22