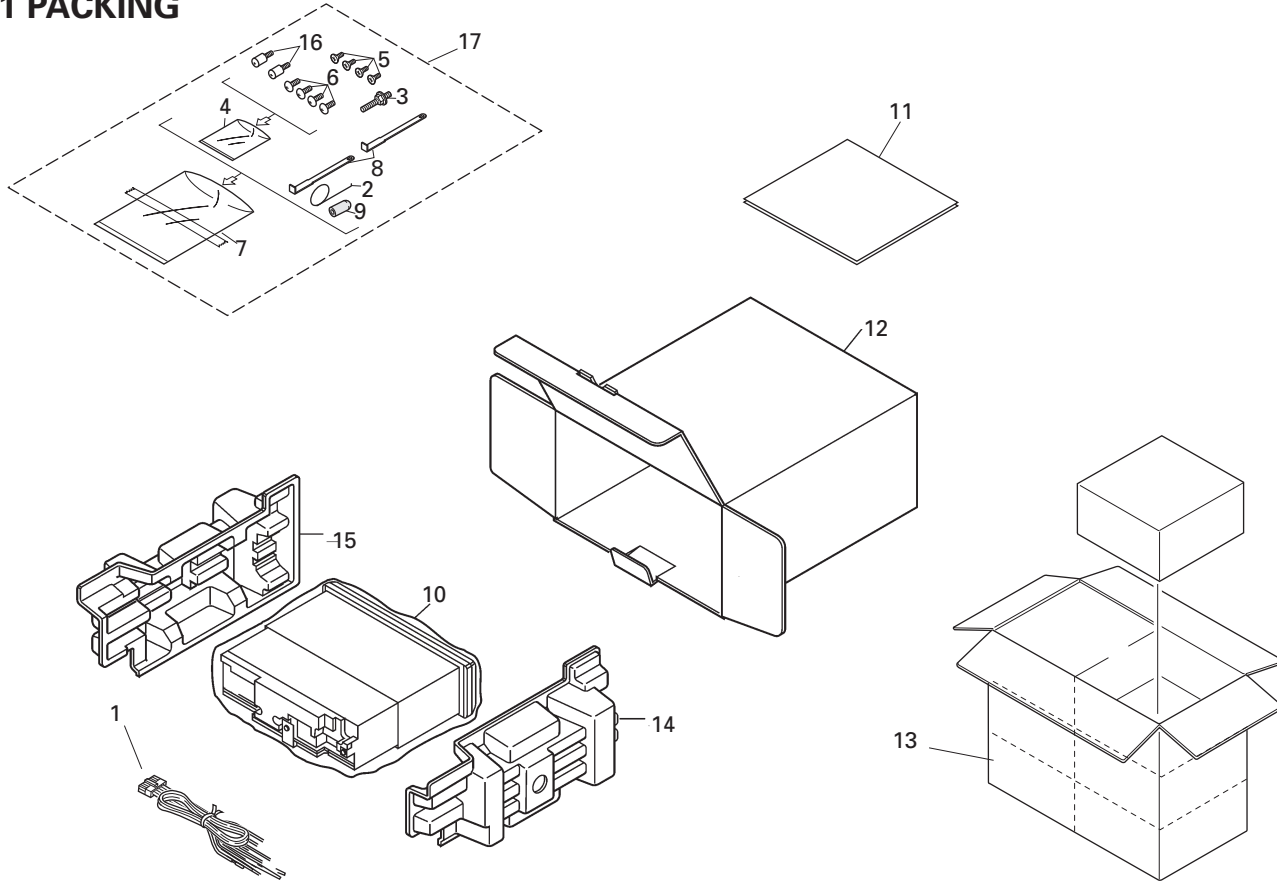


## 2. EXPLODED VIEWS AND PARTS LIST

### 2.1 PACKING



#### NOTE:

- Parts marked by "\*" are generally unavailable because they are not in our Master Spare Parts List.
- Screws adjacent to ▽ mark on the product are used for disassembly.
- For the applying amount of lubricants or glue, follow the instructions in this manual.  
(In the case of no amount instructions, apply as you think it appropriate.)

#### (1) PACKING SECTION PARTS LIST

Mark No.	Description	Part No.	Mark No.	Description	Part No.
1	Cord Assy	CDE7060	11-1	Owner's Manual	See Contrast table(2)
2	Spring	CBH1650	11-2	Installation Manual	See Contrast table(2)
3	Screw	CBA1002	* 11-3	Card	ARY1048
* 4	Polyethylene Bag	CEG-127	11-4	Caution Card	See Contrast table(2)
5	Screw	CRZ50P090FTC	12	Carton	See Contrast table(2)
6	Screw	TRZ50P080FTC	13	Contain Box	See Contrast table(2)
* 7	Polyethylene Bag	CEG-158	14	Protector	CHP2663
8	Handle	CNC5395	15	Protector	CHP2664
9	Bush	CNV3930	16	Fixing Screw(M2x4)	See Contrast table(2)
10	Polyethylene Bag	CEG1173	17	Accessory Assy	CEA3438

**(2) CONTRAST TABLE**

**DEH-5/XU/UC , DEH-15/XU/UC and DEH-1500/XU/UC are constructed the same except for the following:**

Mark No. Symbol and Description	Part No.		
	DEH-5/XU/UC	DEH-15/XU/UC	DEH-1500/XU/UC
11-1 Owner's Manual	CRD3666	CRD3664	CRD3664
11-2 Installation Manual	CRD3667	CRD3665	CRD3665
11-4 Caution Card	Not used	CRP1294	Not used
12 Catron	CHG4989	CHG4988	CHG4987
13 Contain Box	CHL4989	CHL4988	CHL4987
16 Fixing Screw(M2x4)	Not used	CBA1488	CBA1488

**● Owner's Manual, Installation Manual**

Model	Part No.	Language
DEH-5/XU/UC	CRD3666	English,French,Spanish
	CRD3667	
DEH-15/XU/UC	CRD3664	English,French,Spanish
DEH-1500/XU/UC	CRD3665	

# 2.2 EXTERIOR(DEH-5/XU/UC)

A

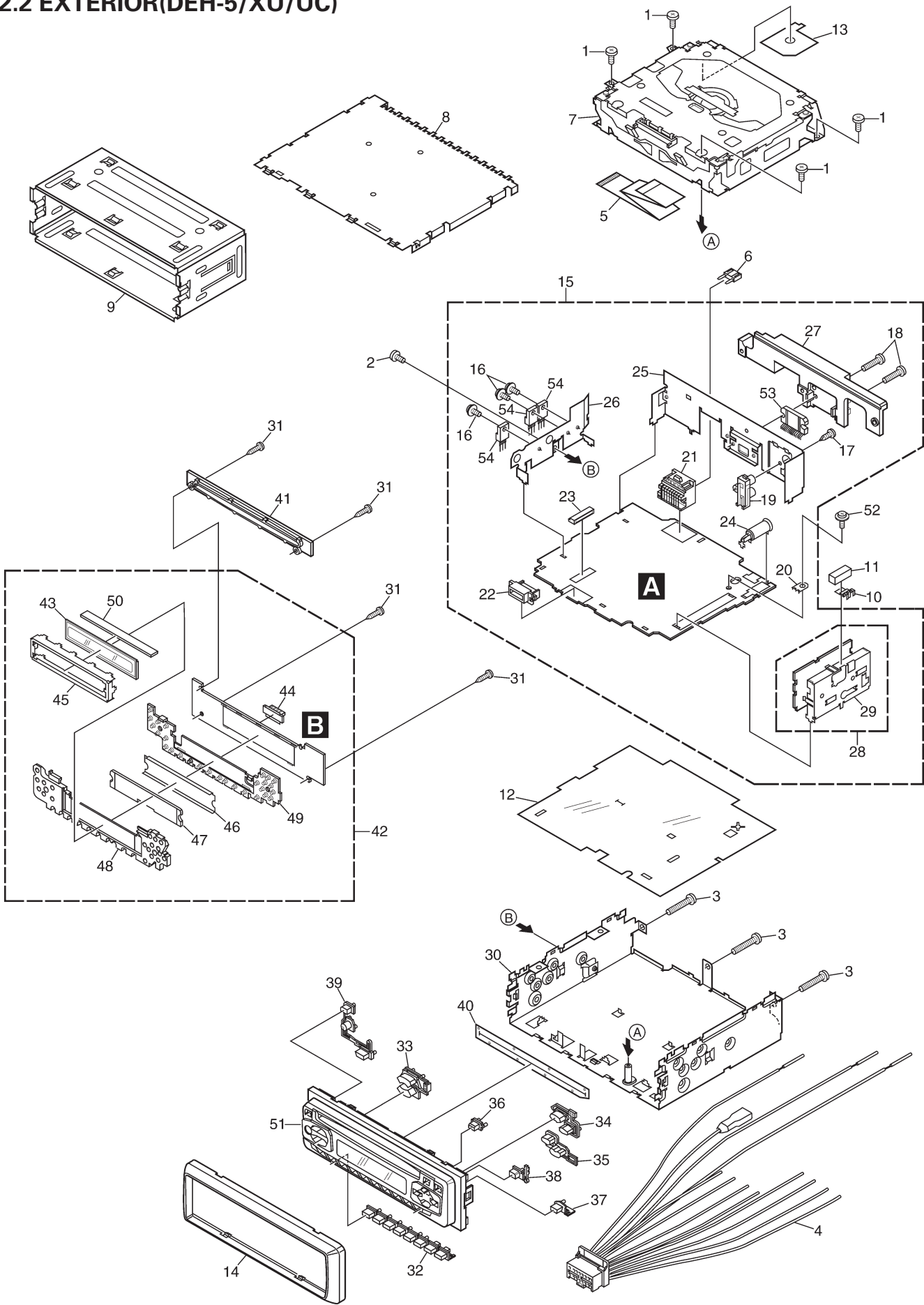
B

C

D

E

F



## ● EXTERIOR(DEH-5/XU/UC) SECTION PARTS LIST

Mark No.	Description	Part No.	Mark No.	Description	Part No.	
1	Screw	BSZ26P060FTC	49	Rubber	CNV7368	A
2	Screw	BSZ30P060FTC	50	Connector	CNV7369	
3	Screw	BSZ30P200FTC				
4	Cord Assy	CDE7060	51	Grille Unit	CXB9805	
5	Cable	CDE7113	52	Screw	ISS26P055FTC	
6	Fuse(10A)	CEK1208	53	IC(IC302)	TDA7384	
7	CD Mechanism Module(S10)	CXK5600	54	Transistor(Q911,921,991)	2SD2375	
8	Case	CNB2793				
9	Holder	CNC8659				B
10	Earth Plate	CNC8915				
11	Cushion	CNM8275				
12	Insulator	CNM8059				
13	Insulator	CNM8174				
14	Panel	CNS7239				
15	Tuner Amp Unit	CWM8569				
16	Screw	ASZ26P060FTC				
17	Screw	BPZ26P080FTC				
18	Screw	BSZ26P160FTC				
19	Pin Jack(CN352)	CKB1028				C
20	Terminal(CN402)	CKF1059				
21	Plug(CN901)	CKM1376				
22	Connector(CN831)	CKS3581				
23	Connector(CN651)	CKS3835				
24	Antenna Jack(CN401)	CKX1056				
25	Holder	CND1241				
26	Holder	CND1328				
27	Heat Sink	CNR1668				
28	FM/AM Tuner Unit	CWE1646				D
29	Holder	CND1054				
30	Chassis Unit	CXB9542				
31	Screw	BPZ20P080FTC				
32	Button(1-6)	CAC7739				
33	Button(Volume)	CAC7740				
34	Button(Up)	CAC7741				
35	Button(Down)	CAC7742				
36	Button(Eject)	CAC7743				
37	Button(Audio)	CAC7745				
38	Button(Band)	CAC7746				E
39	Button(SRC-EQ)	CAC7841				
40	Cover	CNM7500				
41	Holder	CNV6867				
42	Keyboard Unit	CWM8577				
43	LCD(LCD1801)	CAW1756				
44	Connector(CN1801)	CKS3580				
45	Holder	CNC9617				
46	Sheet	CNM7932				
47	Lens	CNV7060				
48	Lighting Conductor	CNV7367				F



### ● EXTERIOR(DEH-15/XU/UC, 1500/XU/UC) SECTION PARTS LIST

Mark No.	Description	Part No.	Mark No.	Description	Part No.	
1	Screw	BSZ26P060FTC		LCD(LCD1801)(DEH-1500)	CAW1733	A
2	Screw	BSZ30P060FTC	46	Connector(CN1801)	CKS3580	
3	Screw	BSZ30P200FTC	47	Holder	CNC9617	
4	Cord Assy	CDE7060	48	Sheet	CNM7932	
5	Cable	CDE7113				
6	Fuse(10A)	CEK1208	49	Lens	CNV7060	
7	CD Mechanism Module(S10)	CXK5600	50	Lighting Conductor	CNV7367	
8	Case	CNB2793	51	Rubber	CNV7368	
9	Holder	CNC8659	52	Connector	CNV7369	
10	Earth Plate	CNC8915	53	Grille Unit(DEH-15)	CXB9870	B
				Grille Unit(DEH-1500)	CXB9869	
11	Cushion	CNM8275	54	Button	CAC4836	
12	Insulator	CNM8059	55	Spring	CBH1835	
13	Insulator	CNM8174	56	Spring	CBH2208	
14	Panel	CNS7239	57	Spring	CBH2367	
15	Tuner Amp Unit(DEH-15)	CWM8568	58	Bracket	CNC6791	
	Tuner Amp Unit(DEH-1500)	CWM8794				
16	Screw	ASZ26P060FTC	59	Holder	CNC8042	
17	Screw	BPZ26P080FTC	60	Cover	CNM6276	
18	Screw	BSZ26P160FTC	61	Panel	CNS7238	
19	Pin Jack(CN352)	CKB1028	62	Arm	CNV4692	C
20	Terminal(CN402)	CKF1059	63	Arm	CNV4728	
21	Plug(CN901)	CKM1376	64	Arm	CNV5576	
22	Connector(CN831)	CKS3581	65	Screw	IMS20P030FZK	
23	Connector(CN651)	CKS3835	66	IC(IC302)	PAL007A	
24	Antenna Jack(CN401)	CKX1056	67	Screw	ISS26P055FTC	
25	Holder	CND1241	68	Transistor(Q911,921,991)	2SD1275	
26	Holder	CND1328	69	Holder(DEH-15)	CNV7619	
27	Heat Sink	CNR1668	70	Screw(DEH-15)	BMZ40P140FTC	D
28	FM/AM Tuner Unit	CWE1646				
29	Holder	CND1054				
30	Chassis Unit	CXB9542				
31	Detach Grille Assy(DEH-15)	CXB9571				
	Detach Grille Assy(DEH-1500)	CXC1127				
32	Screw	BPZ20P100FZK				
33	Button(1-6)	CAC7739				
34	Button(Volume)	CAC7740				
35	Button(Up)	CAC7741				
36	Button(Down)	CAC7742				E
37	Button(Eject)	CAC7743				
38	Button(Band)	CAC7745				
39	Button(Audio)	CAC7746				
40	Button(SRC-EQ)	CAC7749				
41	Button(Detach)	CAC7753				
42	Spring	CBH2210				
43	Cover	CNS7232				
44	Keyboard Unit(DEH-15)	CWM8576				
	Keyboard Unit(DEH-1500)	CWM8795				
45	LCD(LCD1801)(DEH-15)	CAW1765				F



## ● CD MECHANISM MODULE SECTION PARTS LIST

Mark No.	Description	Part No.	Mark No.	Description	Part No.
1	CD Core Unit(S10)	CWX2708	48	Holder	CNV7202
2	Connector(CN101)	CKS4182	49	Arm	CNV7203
3	Connector(CN701)	CKS4188	50	Gear	CNV7207
4	Screw	BMZ20P035FTC			
5	Screw	BSZ20P040FTC	51	Gear	CNV7208
			52	Gear	CNV7209
6	Screw(M2x4)	CBA1362	53	Gear	CNV7210
7	Screw(M2x3)	CBA1511	54	Gear	CNV7211
8	Screw(M2x3)	CBA1527	55	Gear	CNV7212
9	Washer	CBF1037			
10	Washer	CBF1038	56	Rack	CNV7214
			57	Arm	CNV7215
11	Washer	CBF1060	58	Arm	CNV7216
12	Spring	CBH2390	59	Guide	CNV7217
13	Spring	CBH2606	60	Roller	CNV7218
14	Spring	CBH2607			
15	Spring	CBH2608	61	Gear	CNV7219
			62	Arm	CNV7221
16	Spring	CBH2609	63	Arm	CNV7220
17	Spring	CBH2610	64	Arm	CNV7222
18	Spring	CBH2611	65	Damper	CNV7313
19	Spring	CBH2612			
20	Spring	CBH2613	66	Damper	CNV7314
			67	Arm	CNV7341
21	Spring	CBH2614	68	Arm	CNV7342
22	Spring	CBH2615	69	Guide	CNV7360
23	Spring	CBH2616	70	Guide	CNV7361
24	Spring	CBH2617			
25	Spring	CBH2620	71	Holder	CNV7437
			72	Arm	CNV7444
26	Spring	CBH2621	73	Gear	CNV7595
27	Spring	CBH2641	74	Damper	CNV7618
28	Spring	CBH2642	75	Motor Unit(M1)	CXB6007
29	Spring	CBH2643			
30	Spring	CBH2659	76	Chassis Unit	CXB8728
			77	Screw Unit	CXB8729
31	Spring	CBH2688	78	Gear Unit	CXB8731
* 32	Spring	CBL1614	79	Arm Unit	CXB8732
33	Shaft	CLA3845	80	Arm Unit	CXB8735
34	Frame	CNC9962			
35	Frame	CNC9963	81	Arm Unit	CXB8852
			82	Motor Unit(M2)	CXB8933
36	Bracket	CNC9966	83	Bracket	CNC9985
37	Bracket	CNC9967	84	Screw	JFZ20P020FTC
38	Arm	CNC9968	85	Screw(M2x5)	EBA1028
39	Arm	CNC9973			
40	Lever	CNC9983	86	Screw	JFZ20P020FTC
			87	Screw	JGZ17P022FTC
41	Lever	CNC9984	88	Washer	YE15FTC
42	Sheet	CNM8134	89	Washer	YE20FTC
43	Collar	CNV6906	90	Pickup Unit(Service)(P10)	CXX1641
44	Guide	CNV6925			
45	Arm	CNV7198	91	Screw	IMS26P030FMC
46	Rack	CNV7199			
47	Holder	CNV7201			

## 5. ELECTRICAL PARTS LIST

### NOTES:

- Parts whose parts numbers are omitted are subject to being not supplied.
- The part numbers shown below indicate chip components.

Chip Resistor

RS1/OSOOOJ,RS1/OOSOOOJ

Chip Capacitor (except for CQS.....)

CKS....., CCS....., CSZS.....

====Circuit Symbol and No.====Part Name	Part No.	====Circuit Symbol and No.====Part Name	Part No.
<b>A</b> Unit Number : CWM8569(DEH-5)		R 301	RD1/4PU153J
Unit Name : Tuner Amp Unit		R 353	RS1/16S821J
<b>MISCELLANEOUS</b>		R 354	RS1/16S821J
IC 151 IC	PML010A	R 357	RS1/16S223J
IC 302 IC	TDA7384	R 358	RS1/16S223J
IC 551 IC	TPD1018F	R 405	RS1/16S681J
IC 601 IC	PE5331A	R 407	RS1/16S681J
IC 652 IC	TC7SET08FU	R 408	RS1/16S681J
		R 409	RS1/16S681J
		R 410	RS1/16S681J
IC 901 IC	BA033SFP		
IC 961 IC	S-80834CNY	R 414	RS1/16S0R0J
Q 352 Transistor	IMH3A	R 420	RS1/16S681J
Q 452 Transistor	DTC124EU	R 421	RS1/16S473J
Q 453 Transistor	DTA124EU	R 454	RS1/16S103J
		R 455	RS1/16S153J
Q 801 Transistor	2SA1036K		
Q 821 Transistor	2SA1036K	R 456	RS1/16S221J
Q 822 Transistor	DTC114EU	R 457	RD1/4PU681J
Q 911 Transistor	2SD2375	R 601	RS1/16S473J
Q 912 Transistor	IMD2A	R 603	RS1/16S103J
		R 604	RS1/16S103J
Q 921 Transistor	2SD2375		
Q 922 Transistor	2SB1243	R 605	RS1/16S221J
Q 923 Transistor	DTC114EU	R 606	RS1/16S104J
Q 931 Transistor	IMX1	R 607	RD1/4PU222J
Q 991 Transistor	2SD2375	R 608	RS1/16S0R0J
		R 609	RD1/4PU473J
Q 992 Transistor	IMD2A		
D 452 Diode	DAN202U	R 610	RD1/4PU681J
D 551 Diode	S5688G	R 611	RS1/16S473J
D 552 Diode	S5688G	R 653	RS1/16S104J
D 901 Diode	S5688G	R 654	RS1/16S102J
		R 661	RS1/16S221J
D 902 Diode	S5688G		
D 911 Diode	S5688G	R 801	RS1/16S153J
D 912 Diode	HZS6L(B2)	R 802	RS1/16S153J
D 921 Diode	HZS9L(B3)	R 803	RS1/16S222J
D 931 Diode	HZS7L(C3)	R 821	RD1/4PU332J
		R 823	RS1/16S103J
D 932 Diode	HZS7L(A1)		
D 991 Diode	HZS9L(B1)	R 833	RD1/4PU222J
L 151 Inductor	LAU2R2K	R 834	RD1/4PU222J
L 401 Inductor	LAU1R0K	R 841	RS1/16S1R0J
L 402 Inductor	LAU1R0K	R 848	RD1/4PU102J
		R 851	RD1/4PU102J
L 404 Ferri-Inductor	LAU4R7K		
L 601 Inductor	LAU1R0K	R 911	RS1/16S223J
L 801 Inductor	LAU2R2K	R 912	RD1/4PU152J
L 901 Choke Coil 600μH	CTH1280	R 921	RS1/16S0R0J
X 601 Radiator 12.58291MHz	CSS1402	R 923	RD1/4PU821J
		R 924	RD1/4PU122J
AR 401 FM/AM Tuner Unit Arrester	CWE1646 DSP-201M	R 925	RS1/16S103J
		R 931	RS1/16S473J
<b>RESISTORS</b>		R 932	RS1/16S104J
R 153	RS1/16S101J	R 933	RD1/4PU102J
R 154	RS1/16S101J	R 934	RS1/16S472J
R 155	RS1/16S101J		
R 156	RS1/16S101J	R 935	RS1/16S473J
R 157	RAB4C102J	R 936	RS1/16S223J
		R 940	RS1/16S104J

====Circuit Symbol and No.====Part Name

Part No.

R	941	RS1/16S104J
R	955	RS1/16S473J
R	961	RD1/4PU102J
R	962	RS1/16S822J
R	971	RS1/16S0R0J
R	991	RD1/4PU221J
R	992	RD1/4PU221J
R	993	RS1/16S222J
R	994	RS1/16S472J

## CAPACITORS

C	151	CKSRYB224K16
C	152	CKSRYB224K16
C	153	CKSRYB105K10
C	154	CKSRYB105K10
C	155	CEJQ4R7M35
C	156	CEJQ4R7M35
C	161	CCSRCH100D50
C	162	CCSRCH100D50
C	163	CCSRCH100D50
C	164	CCSRCH100D50
C	165	CKSRYB104K16
C	166	CEJQ470M10
C	167	CEJQ100M16
C	301	CFTNA224J50
C	302	CFTNA224J50
C	303	CFTNA224J50
C	304	CFTNA224J50
C	309	CKSQYB225K10
C	310	CKSQYB225K10
C	311	CEJQ2R2M50
C	312	CEJQ100M16
C	313	CKSRYB104K16
C	353	CEJQ2R2M50
C	354	CEJQ2R2M50
C	360	CKSQYB103K50
C	401	CKSRYB103K50
C	402	CKSRYB103K50
C	403	CEJQ470M6R3
C	404	CEJQ101M10
C	405	CKSRYB103K50
C	420	CCSRCH470J50
C	451	CEJQ330M10
C	551	CKSQYB103K50
C	552	CKSQYB103K50
C	601	CKSRYB103K50
C	604	CCSRCH200J50
C	605	CCSRCH200J50
C	610	CEJQ4R7M35
C	611	CKSRYB224K16
C	654	CKSRYB104K16
C	801	CKSRYB104K16
C	901	3300μF/16V
C	911	CCH1494
C	912	CEJQ470M10
C	913	CKSRYB103K50
C	921	470μF/16V
C	922	330μF/16V
C	923	CCH1326
C	961	CEJQ101M16
C	963	CKSRYB103K50
C	981	CKSRYB334K10
C	982	CKSRYB103K50
C	983	CEJQ220M16
C	991	CKSRYB473K50
C	992	CEJQ101M10

====Circuit Symbol and No.====Part Name

Part No.

IC	151	IC	PML003AM
IC	302	IC	PAL007A
IC	601	IC	PE5330A
IC	652	IC	TC7SET08FU
IC	901	IC	BA033SFP

IC	961	IC	S-80834CNY
Q	352	Transistor	IMH3A
Q	452	Transistor	DTC124EU
Q	453	Transistor	DTA124EU
Q	801	Transistor	2SA1036K
Q	821	Transistor	2SA1036K
Q	822	Transistor	DTC114EU
Q	911	Transistor	2SD2375
Q	912	Transistor	IMD2A
Q	921	Transistor	2SD2375
Q	922	Transistor	2SB1243
Q	923	Transistor	DTC114EU
Q	931	Transistor	IMX1
Q	991	Transistor	2SD2375
Q	992	Transistor	IMD2A

D	452	Diode	DAN202U
D	831	Diode	1SS133
D	832	Diode	1SS133
D	833	Diode	1SS133
D	834	Diode	1SS133
D	835	Diode	1SS133
D	836	Diode	1SS133
D	901	Diode	S5688G
D	902	Diode	S5688G
D	911	Diode	S5688G

D	912	Diode	HZS6L(B2)
D	921	Diode	HZS9L(B3)
D	931	Diode	HZS7L(C3)
D	932	Diode	HZS7L(A1)
D	971	Diode	S5688G

D	972	Diode	S5688G
D	991	Diode	HZS9L(B1)
L	151	Inductor	LAU2R2K
L	401	Inductor	LAU1R0K
L	402	Inductor	LAU1R0K

L	404	Ferri-Inductor	LAU4R7K
L	601	Inductor	LAU1R0K
L	801	Inductor	LAU2R2K
L	901	Choke Coil 600μH	CTH1280
X	601	Radiator 12.58291MHz	CSS1402

AR	401	Arrester	DSP-201M
		FM/AM Tuner Unit	CWE1646

## RESISTORS

R	153	RS1/16S101J
R	154	RS1/16S101J
R	155	RS1/16S101J
R	156	RS1/16S101J
R	157	RAB4C102J
R	301	RD1/4PU153J
R	353	RS1/16S821J
R	354	RS1/16S821J
R	357	RS1/16S223J
R	358	RS1/16S223J
R	405	RS1/16S681J
R	407	RS1/16S681J



====Circuit Symbol and No.====Part Name	Part No.	====Circuit Symbol and No.====Part Name	Part No.	A
LCD1801 LCD(DEH-15)	CAW1765	R 215	RS1/16S393J	
LCD1801 LCD(DEH-1500)	CAW1733	R 216	RS1/16S122J	
		R 217	RS1/16S562J	
		R 218	RS1/16S472J	
		R 234	RS1/16S0R0J	
<b>RESISTORS</b>				
R 1801	RS1/16S222J	R 235	RS1/16S103J	
R 1802	RS1/16S222J	R 236	RS1/16S103J	
R 1803	RS1/16S471J	R 301	RS1/16S183J	
R 1804	RS1/16S471J	R 302	RS1/16S822J	
R 1805	RS1/16S471J	R 303	RS1/16S183J	
R 1806	RS1/16S471J	R 304	RS1/16S822J	
R 1807	RS1/16S151J	R 305	RS1/16S183J	
R 1808	RS1/16S181J	R 306	RS1/16S183J	B
R 1809	RS1/16S181J	R 307	RS1/16S183J	
R 1810	RS1/16S181J	R 308	RS1/16S183J	
R 1811	RS1/16S151J	R 501	RS1/16S102J	
R 1812	RS1/16S181J	R 503	RS1/16S102J	
R 1813	RS1/16S181J	R 505	RS1/16S102J	
R 1814	RS1/16S181J	R 506	RS1/16S221J	
R 1815	RS1/16S151J	R 507	RS1/16S221J	
R 1816 (DEH-5,15)	RS1/16S181J	R 508	RS1/16S221J	
R 1816 (DEH-1500)	RS1/16S151J	R 509	RS1/16S221J	
R 1817 (DEH-5,15)	RS1/16S181J	R 601	RS1/16S101J	
R 1817 (DEH-1500)	RS1/16S151J	R 602	RS1/16S101J	
R 1818 (DEH-5,15)	RS1/16S181J	R 603	RS1/16S0R0J	
R 1818 (DEH-1500)	RS1/16S151J	R 901	RS1/16S104J	C
R 1819	RS1/16S131J	R 902	RS1/16S473J	
		R 903	RS1/16S273J	
<b>CAPACITORS</b>		<b>CAPACITORS</b>		
C 1801	CKSRYB103K50	C 101	CKSRYB104K16	
C 1811	CKSRYF104Z25	C 102	CKSRYB104K16	
C 1812	CKSRYF104Z25	C 103	100μF/16V	
		C 104	47μF/6.3V	
		C 106	CCSRCH101J50	
		C 108	CKSRYB224K16	
		C 109	CKSRYB224K16	
		C 201	CKSRYB104K16	
		C 202	CKSRYB471K50	
		C 203	CKSRYB104K16	D
		C 205	22μF/6.3V	
		C 206	CCH1507	
		C 207	CKSRYB103K25	
		C 208	CKSRYB104K16	
		C 209	100μF/6.3V	
		C 210	CCH1505	
		C 211	CKSRYB104K16	
		C 212	CKSRYB104K16	
		C 213	CKSRYB104K16	
		C 214	CKSRYB332K50	
		C 214	CKSRYB473K25	
		C 215	CKSRYB104K16	
		C 216	CKSRYB103K25	
		C 217	CCSRCH560J50	E
		C 218	CCSRCH5R0C50	
		C 219	CKSRYB104K16	
		C 220	CKSRYB104K16	
		C 221	CKSRYB104K16	
		C 222	CKSRYB103K25	
		C 223	CCSRCH680J50	
		C 224	CCSRCH470J50	
		C 225	CKSRYB682K50	
		C 231	CKSRYB102K50	
		C 232	CKSRYB102K50	
		C 301	100μF/16V	
		C 302	CCH1504	
		C 302	CCSRCH221J50	
		C 303	CCSRCH221J50	F
		C 304	CKSRYB472K50	

**C** Unit Number : CWX2708  
Unit Name : CD Core Unit(S10)

#### MISCELLANEOUS

IC 201	IC	UPD63712GC
IC 301	IC	BA5996FP
IC 701	IC	NJM2391DL1-33
Q 101	Transistor	2SB1132
D 101	Diode	1SS355
D 701	Diode	1SR154-400
X 201	Ceramic Resonator 16.934MHz	CSS1603
S 901	Spring Switch(HOME)	CSN1051
S 902	Spring Switch(CLAMP)	CSN1051
S 903	Spring Switch(DSCSNS)	CSN1052
S 904	Spring Switch(12EJ)	CSN1051
S 905	Spring Switch(8EJ)	CSN1051

#### RESISTORS

R 101	RS1/10S1R5J
R 102	RS1/10S1R5J
R 103	RS1/10S1R5J
R 104	RS1/10S1R5J
R 105	RS1/10S1R5J
R 201	RS1/16S102J
R 202	RS1/16S1002D
R 203	RS1/16S1002D
R 204	RS1/16S1002D
R 205	RS1/16S1002D
R 206	RS1/16S1002D
R 207	RS1/16S1002D
R 208	RS1/16S1002D
R 209	RS1/16S1002D
R 214	RS1/16S103J

====Circuit Symbol and No.====		Part Name	Part No.
C	305		CKSRYB103K25
C	306		CKSRYB104K16
C	501		CKSRYB103K25
C	502		CKSRYB103K25
C	702	100μF/16V	CCH1504
C	703		CKSRYB224K16
C	704		CKSRYB104K16
C	705	10μF/6.3V	CCH1470

Miscellaneous Parts List

		Pickup Unit(Service)(P10)	CXX1641
M	1	Motor Unit(SPINDLE)	CXB6007
M	2	Motor Unit(LOADING/CARRIAGE)	CXB8933