

# Pioneer

## Service Manual

ORDER NO.  
**CRT5645**

RDS MEDIA CENTER RECEIVER

# MVH-X171UI<sub>/XINUC</sub>

Made for



iPod



iPhone

This service manual should be used together with the following manual(s) listed below. For the parts numbers, adjustments, etc. which are not shown in this manual, refer to the following manual(s).

Model No.	Order No.	Mech. Module	Remarks
MVH-170UB/XINEW5	CRT5568		MVH-X175UI/XINGS

# EXPLODED VIEWS AND PARTS LIST

## PACKING(Page 20)

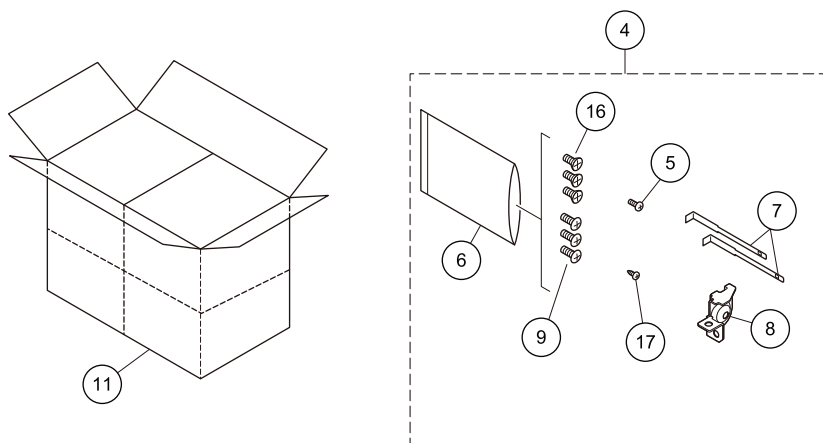
### PACKING SECTION PARTS LIST

\*:Non spare part

Mark	No.	Description	MVH-X175UI/XINGS	MVH-X171UI/XINUC
*	2-1	Warranty Card	Not used	QRY3001
	2-2	Owner's Manual	QRD3286	QRD3304
*	4	Accessory Assy	QEA3165	QEA3163
	10	Unit Box	QHG3719	QHG3767
	11	Contain Box	QHL3719	QHL3767
	14	Case Assy	QXA3129	Not used
	15	Card Remote Control Unit	QXE1047	Not used
	16	Screw	Not used	CRZ50P090FTC
	17	Screw	Not used	BPZ20P060FTC

### Owner's Manual

Part No.	Language
QRD3304	English, French, Spanish(Espanol)



## EXTERIOR(Page 22)

### EXTERIOR SECTION PARTS LIST

Mark	No.	Description	MVH-X175UI/XINGS	MVH-X171UI/XINUC
	9	Tuner Amp Unit	QWM3941	QWM4019
	13	Holder	QNC3105	QNC3106
	20	Detachable Grille Assy	QXA4190	QXA4409
	34	Knob Unit	QXA3671	QXA3673
	35	Grille Unit	QXA4204	QXA4411
	37	Card Remote Control Unit	QXE1047	Not used
	38	Cover	CNS7068	Not used

# ELECTRICAL PARTS LIST(Page 34)

## TUNER AMP UNIT

Circuit Symbol and No.	Part Name	MVH-X175UI/XINGS	MVH-X171UI/XINUC
IC681	Flash Memory IC	PEB184A8 *(NSP)	N/A for this model
Q911	Transistor	RN4982	Not used
JA911	Jack	CKS6437	Not used
R601		RS1/16SS473J	Not used
R610		RS1/16SS1002F	RS1/16SS103J
R612		RS1/16SS223J	RS1/16SS103J
R662		RS1/16SS473J	Not used
R911		RS1/10SR1001F	Not used
R912		RS1/10SR102J	Not used
R915		RS1/16SS471J	Not used

## KEYBOARD UNIT

Circuit Symbol and No.	Part Name	MVH-X175UI/XINGS	MVH-X171UI/XINUC
IC1941	Remote IC	SIR8440B5	Not used
R1941		Not used	RS1/10SR473J
R1944		RS1/10SR101J	Not used
C1941	10 uF	DCH1201	Not used

The mounting positions of the additional parts are described in the circuit diagram and PCB diagram of the parent manual.