

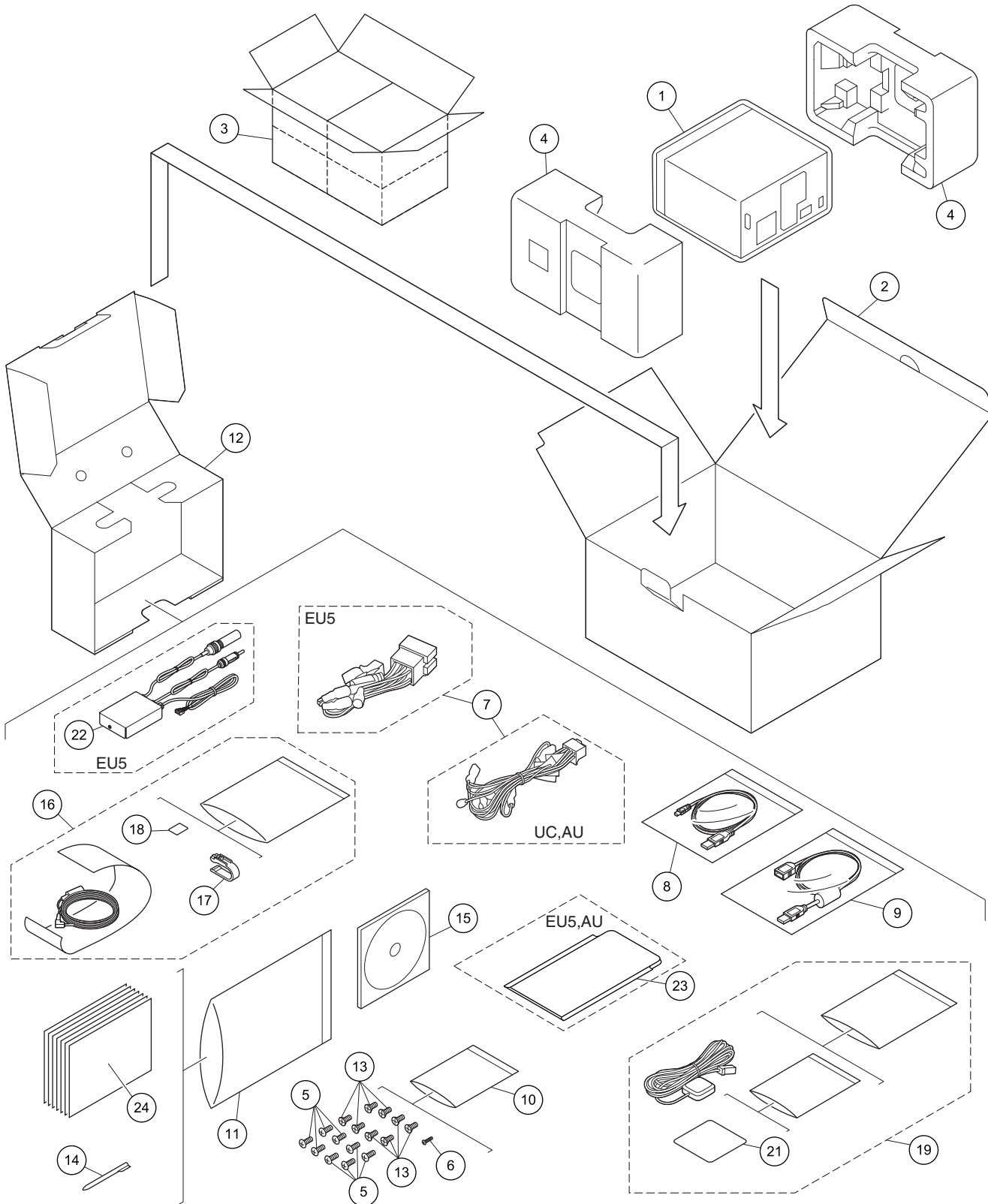


# 9. EXPLODED VIEWS AND PARTS LIST

NOTES : • Parts marked by " \* " are generally unavailable because they are not in our Master Spare Parts List.

- The  mark found on some component parts indicates the importance of the safety factor of the part. Therefore, when replacing, be sure to use parts of identical designation.
- Screw adjacent to  mark on the product are used for disassembly.
- For the applying amount of lubricants or glue, follow the instructions in this manual.  
(In the case of no amount instructions, apply as you think it appropriate.)

## 9.1 PACKING



**(1) PACKING SECTION PARTS LIST**

<u>Mark No.</u>	<u>Description</u>	<u>Part No.</u>	<u>Mark No.</u>	<u>Description</u>	<u>Part No.</u>
1	Cover	See Contrast table (2)	19	GPS Antenna Assy	CXE2705
2	Unit Box	See Contrast table (2)	20	.....	
3	Contain Box	See Contrast table (2)			
4	Protector	CHP3830	21	Sheet	CZN7151
5	Screw	BMZ50P080FTC	22	RDS-TMC Tuner	See Contrast table (2)
			23	Bag	See Contrast table (2)
6	Screw	BPZ20P080FTC	24-1	Quick Start Guide	See Contrast table (2)
7	Cord Assy	See Contrast table (2)	24-2	Quick Start Guide	See Contrast table (2)
8	Cord Assy	See Contrast table (2)			
9	Cord Assy	See Contrast table (2)	24-3	Quick Start Guide	See Contrast table (2)
* 10	Polyethylene Bag	CEG-127	24-4	Quick Start Guide	See Contrast table (2)
			24-5	Quick Start Guide	See Contrast table (2)
11	Polyethylene Bag	CEG1116	24-6	Quick Start Guide	See Contrast table (2)
12	Sub Unit Box	CHG6918	24-7	Important Information	See Contrast table (2)
13	Screw	CMZ50P080FTC			
14	Pen	CNV8969	24-8	Installation Manual	See Contrast table (2)
15	IM CD-ROM	See Contrast table (2)	24-9	Caution Card	See Contrast table (2)
			* 24-10	Warranty Card	See Contrast table (2)
16	Microphone Assy	CPM1083	* 24-11	Registration Card	See Contrast table (2)
* 17	Clip Holder	CZN7912	* 24-12	Passport	See Contrast table (2)
* 18	Cushion	CZN7913			

**(2) CONTRAST TABLE**

AVIC-U310BT/XSUC, AVIC-F310BT/XSEU5 and AVIC-F310BT/XSAU are constructed the same except for the following:

<u>Mark</u>	<u>No.</u>	<u>Description</u>	<u>AVIC-U310BT/XSUC</u>	<u>AVIC-F310BT/XSEU5</u>	<u>AVIC-F310BT/XSAU</u>
	1	Cover	CEG1359	CEG1356	CEG1356
	2	Unit Box	CHG6919	CHG6921	CHG6920
	3	Contain Box	CHL6919	CHL6921	CHL6920
	7	Cord Assy	CDP1247	CDP1246	CDP1247
	8	Cord Assy	CDP1260	CDP1261	CDP1261
	9	Cord Assy	CDP1271	CDP1272	CDP1272
	15	IM CD-ROM	CPJ1285	CPJ1286	CPJ1287
	22	RDS-TMC Tuner	Not used	CXE2176	Not used
	23	Bag	Not used	CMX1035	CMX1035
	24-1	Quick Start Guide	CRB3017	CRB3025	CRB3032
	24-2	Quick Start Guide	CRB3018	CRB3026	Not used
	24-3	Quick Start Guide	Not used	CRB3027	Not used
	24-4	Quick Start Guide	Not used	CRB3028	Not used
	24-5	Quick Start Guide	Not used	CRB3029	Not used
	24-6	Quick Start Guide	Not used	CRB3030	Not used
	24-7	Important Information	CRD4414	CRD4416	CRB3033
	24-8	Installation Manual	CRD4415	CRD4417	CRB3034
	24-9	Caution Card	CRP1310	Not used	CRP1310
*	24-10	Warranty Card	CRY1246	CRY1265	Not used
*	24-11	Registration Card	CRY1271	Not used	Not used
*	24-12	Passport	Not used	CRY1268	Not used

## Owner's Manual, Installation Manual

Part No.	Language
CRB3017	English
CRB3018	French
CRD4414	English, French
CRD4415	English, French
CRB3025	English
CRB3026	Spanish(Espanol)
CRB3027	German
CRB3028	French
CRB3029	Italian
CRB3030	Dutch
CRD4416	English, Spanish(Espanol), German, French, Italian, Dutch
CRD4417	English, Spanish(Espanol), German, French, Italian, Dutch
CRB3032	English
CRB3033	English
CRB3034	English

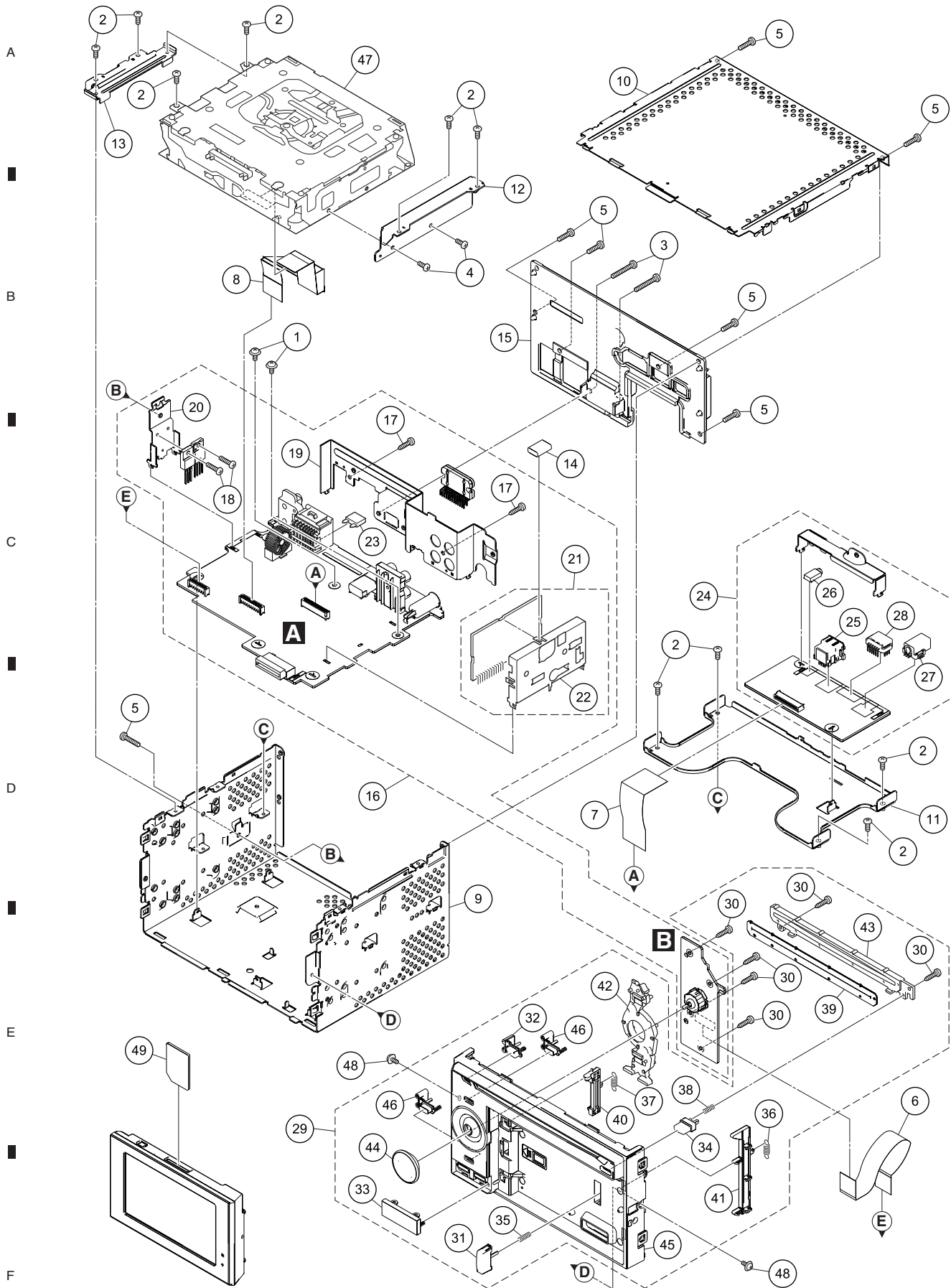
## CONTENTS OF CD-ROM (Operation Manual), CPJ1285, CPJ1286, CPJ1287

Part No.	Language	CD-ROM Part No.
* CRB3015	English	CPJ1285
* CRB3016	French	CPJ1285
* CRB3019	English	CPJ1286
* CRB3020	Spanish(Espanol)	CPJ1286
* CRB3021	German	CPJ1286
* CRB3022	French	CPJ1286
* CRB3023	Italian	CPJ1286
* CRB3024	Dutch	CPJ1286
* CRB3031	English	CPJ1287

All operation manuals are supplied in PDF files by the CD-ROM.

Regarding the availability of paper manual, contact Pioneer Service representative in your region.

## 9.2 EXTERIOR(1)



**(1) EXTERIOR(1) SECTION PARTS LIST**

<u>Mark No.</u>	<u>Description</u>	<u>Part No.</u>	<u>Mark No.</u>	<u>Description</u>	<u>Part No.</u>
1	Screw	ASZ26P060FTC	26	Connector	CKS5589
2	Screw	BMZ26P040FTC	27	Connector	CKS5702
3	Screw	BMZ26P140FTC	28	Connector	See Contrast table (2)
4	Screw	BSZ25P060FTB	29	Grille Assy	See Contrast table (2)
5	Screw	BSZ26P080FTC	30	Screw	BPZ20P080FTC
6	FFC	CDE8977	31	Button	CAC4836
7	FFC	CDE8978	32	Button(EJECT)	CAI2448
8	FFC	CDE8979	33	Button(SRC/BAND)	CAI2450
9	Chassis	CNA3123	34	Button(DETACH)	CAI2451
10	Case	CNB3607	35	Spring	CBH3054
11	Holder	CND5054	36	Spring(Silver)	CBH2961
12	Bracket	CND5058	37	Spring(Black)	CBH3056
13	Bracket	CND5172	38	Spring	CBH3055
14	Gasket	CNN3017	39	Cover	CNN2819
15	Heat Sink	CNR2030	40	Arm	CNV9312
16	Main Unit	See Contrast table (2)	41	Arm	CNW1585
17	Screw	BPZ26P060FTC	42	Lighting Conductor	CNW1586
18	Screw	BSZ26P080FTC	43	Holder	CNW1587
19	Holder	See Contrast table (2)	44	Knob Unit	CXE1661
20	Holder	CND5056	45	Grille Unit	See Contrast table (2)
21	FM/AM Tuner Unit	See Contrast table (2)	46	Button Unit(MODE/LIST)	CXE1679
22	Holder	CND4324	47	CD Mechanism Module(S10.5)	CXK5777
⚠ 23	Fuse(10 A)	YEK5001	48	Screw	ISS26P060FTC
24	GPS IF Unit	See Contrast table (2)	49	Card	CNW1231
25	Connector	See Contrast table (2)			

**(2) CONTRAST TABLE**

AVIC-U310BT/XSUC, AVIC-F310BT/XSEU5 and AVIC-F310BT/XSAU are constructed the same except for the following:

<b>Mark</b>	<b>No.</b>	<b>Description</b>	<b>AVIC-U310BT/XSUC</b>	<b>AVIC-F310BT/XSEU5</b>	<b>AVIC-F310BT/XSAU</b>
	16	Main Unit	CWN4078	CWN4079	CWN4081
	19	Holder	CND5055	CND5153	CND5055
	21	FM/AM Tuner Unit	CWE2098	CWE2127	CWE2098
	24	GPS IF Unit	CWX3791	CWX3792	CWX3793
	25	Connector	CKS5271	Not used	Not used
	28	Connector	Not used	GT8E-6P-DS	Not used
	29	Grille Assy	CXE1735	CXE2183	CXE2183
	45	Grille Unit	CXE1662	CXE2082	CXE2082

# 9.3 EXTERIOR(2)

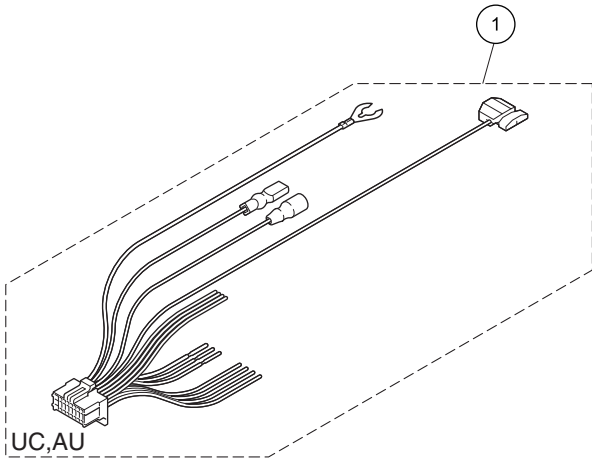
1

2

3

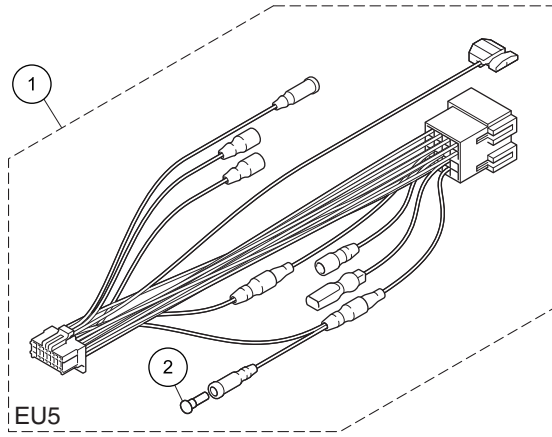
4

A



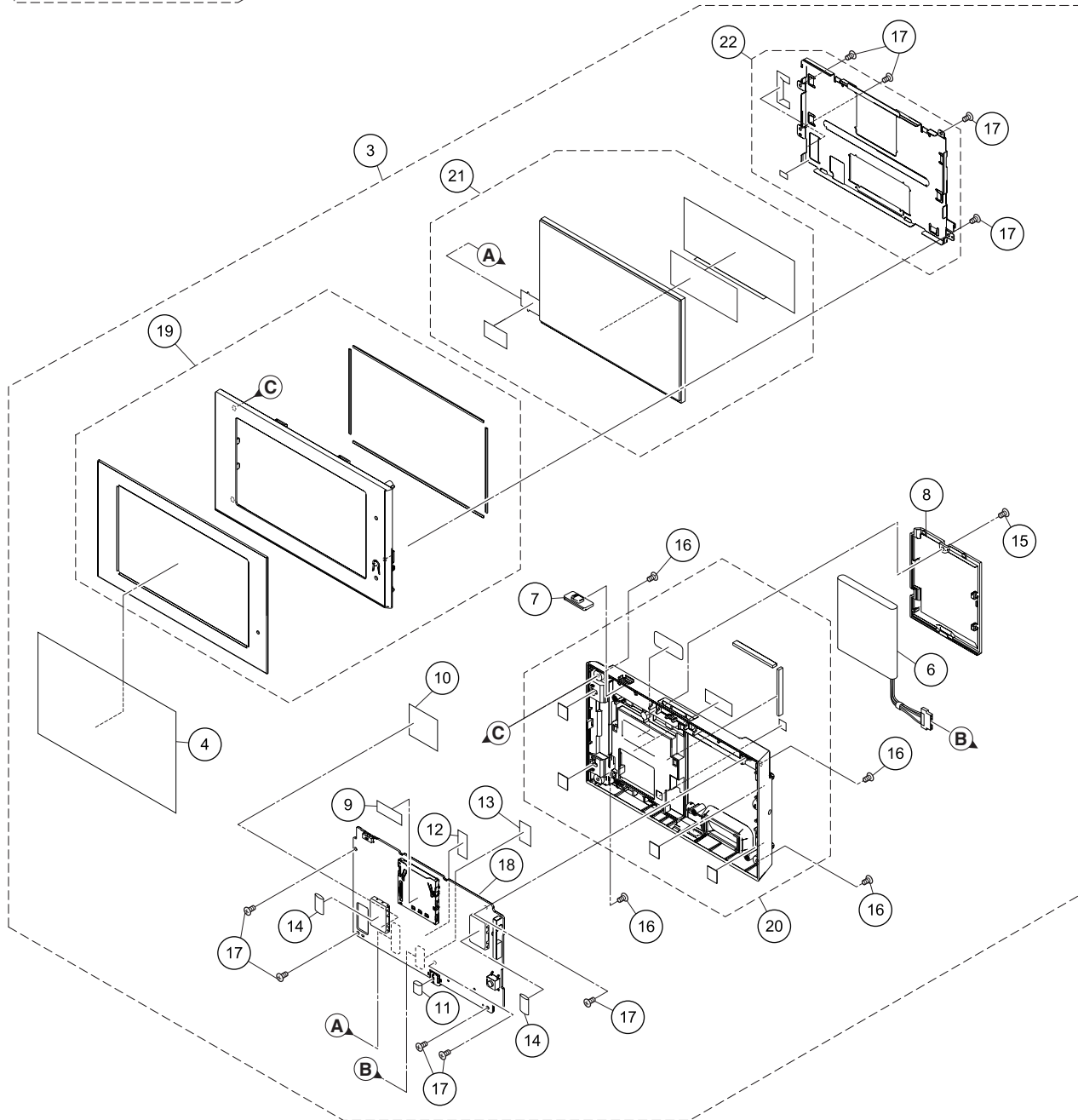
UC,AU

B



EU5

C



D

E

F

1

2

3

4

**(1) EXTERIOR(2) SECTION PARTS LIST**

<u>Mark No.</u>	<u>Description</u>	<u>Part No.</u>	<u>Mark No.</u>	<u>Description</u>	<u>Part No.</u>
1	Cord Assy	See Contrast table (2)	12	TF-MYLAR	346161000600
2	Terminal Cover	See Contrast table (2)	13	TF-MYLAR	346161000900
3	Detach Grille Assy	See Contrast table (2)	14	TF-GASKET	346162901400
4	TF-PE FILM	222161000100	15	TF-SCREW M1.6L4	371101610406
5	.....				
6	TF-BATTERY PACK	338937010176	16	TF-SCREW M1.6L4	371101610414
7	TF-POWER BUTTON	344172300400	17	TF-SCREW M1.6L3	371101650301
8	TF-BATTERY COVER	344172300500	18	TF-NAVI BOARD	See Contrast table (2)
9	TF-GASKET	346147300100	19	TF-FRONT COVER KIT	See Contrast table (2)
10	TF-TAPE	346149700300	20	TF-REAR COVER KIT	541217230003
			21	TF-LCD ASSY KIT	541217230004
11	TF-GASKET	346160600001	22	TF-LCD HOLDER KIT	541217230005

**(2) CONTRAST TABLE**

AVIC-U310BT/XSUC, AVIC-F310BT/XSEU5 and AVIC-F310BT/XSAU are constructed the same except for the following:

<u>Mark</u>	<u>No.</u>	<u>Description</u>	<u>AVIC-U310BT/XSUC</u>	<u>AVIC-F310BT/XSEU5</u>	<u>AVIC-F310BT/XSAU</u>
	1	Cord Assy	CDP1247	CDP1246	CDP1247
	2	Terminal Cover	Not used	CKX-003	Not used
	3	Detach Grille Assy	CXE2187	CXE2188	CXE2189
	18	TF-NAVI BOARD	541117230004	541117230005	541117230006
	19	TF-FRONT COVER KIT	541217230001	541217230002	541217230002

# 9.4 CD MECHANISM MODULE

A

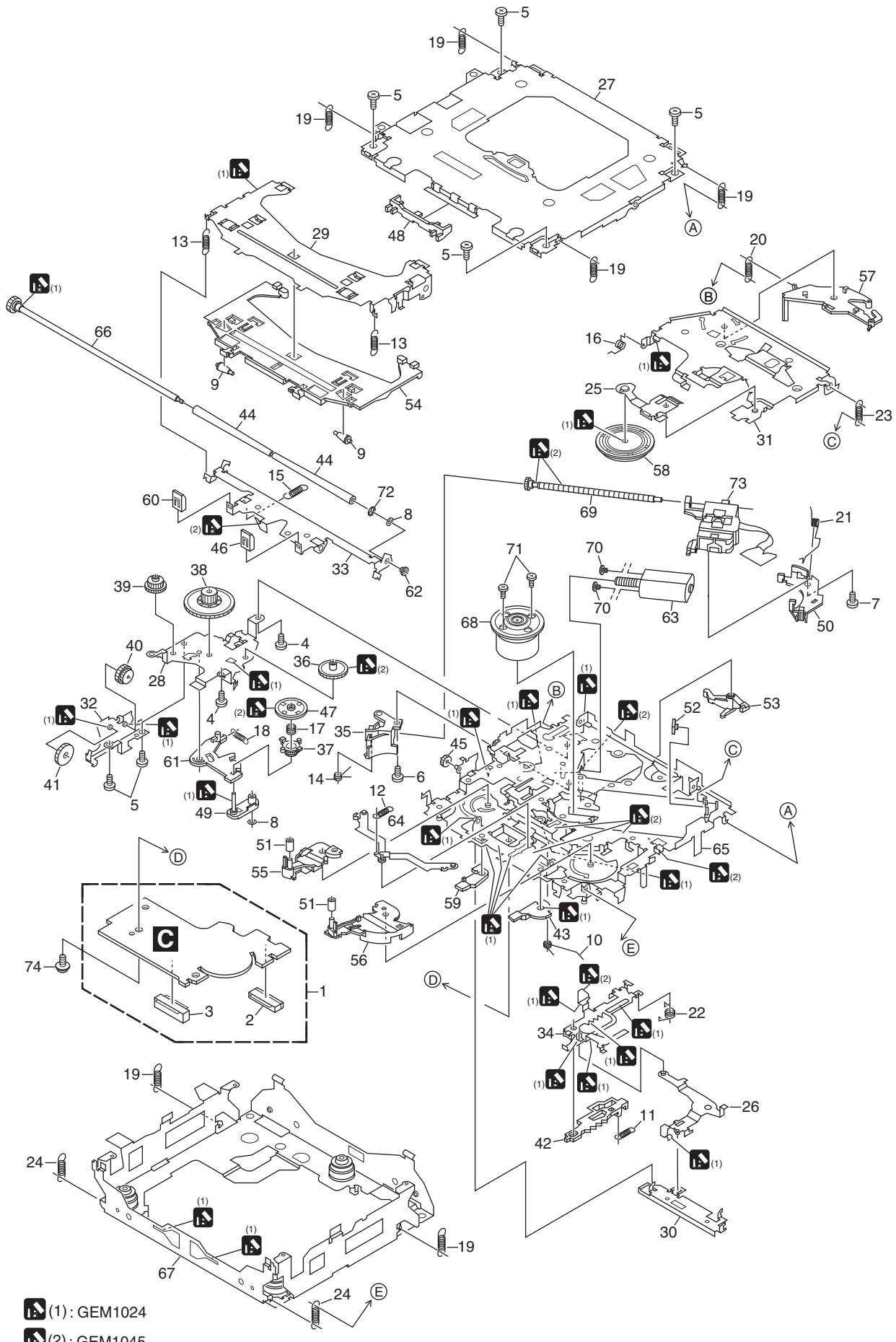
B

C

D

E

F



(1): GEM1024  
 (2): GEM1045

## CD MECHANISM MODULE SECTION PARTS LIST

<u>Mark No.</u>	<u>Description</u>	<u>Part No.</u>	<u>Mark No.</u>	<u>Description</u>	<u>Part No.</u>
1	CD Core Unit(S10.5COMP2-iPod-C3)	CWX3678	50	Rack	CNV8342
2	Connector(CN101)	CKS4808	51	Roller	CNV8343
3	Connector(CN701)	CKS5854	52	Holder	CNV8344
4	Screw	BMZ20P025FTC	53	Arm	CNV8345
5	Screw	BSZ20P040FTC	54	Guide	CNV9498
6	Screw(M2 x 3)	CBA1511	55	Arm	CNV8348
7	Screw(M2 x 4)	CBA1835	56	Arm	CNV8349
8	Washer	CBF1038	57	Arm	CNV8350
9	Roller	CNV9499	58	Clamper	CNV8365
10	Spring	CBH2609	59	Arm	CNV8386
11	Spring	CBH2612	60	Guide	CNV8396
12	Spring	CBH2614	61	Arm	CNV9521
13	Spring	CBH2616	62	Collar	CNV8447
14	Spring	CBH2617	63	Motor Unit(M2)	CXC4026
15	Spring	CBH2620	64	Arm Unit	CXC4027
16	Spring	CBH2855	65	Chassis Unit	CXC4028
17	Spring	CBH2937	66	Gear Unit	CXC4029
18	Spring	CBH2735	67	Frame Unit	CXC4031
19	Spring	CBH2854	68	Motor Unit(M1)	CXC7134
20	Spring	CBH2642	69	Screw Unit	CXC6359
21	Spring	CBH2856	70	Screw	JFZ20P020FTC
22	Spring	CBH2857	71	Screw	JGZ17P022FTC
23	Spring	CBH2860	72	Washer	YE20FTC
24	Spring	CBH2861	73	Pickup Unit(P10.5)(Service)	CXX1942
25	Spring	CBL1686	74	Screw	IMS26P030FTC
26	Arm	CND1909			
27	Frame	CND2582			
28	Bracket	CND2583			
29	Arm	CND3831			
30	Lever	CND2585			
31	Arm	CND2586			
32	Bracket	CND2587			
33	Arm	CND2588			
34	Lever	CND2589			
35	Holder	CNV9522			
36	Gear	CNV7207			
37	Gear	CNV9513			
38	Gear	CNV7209			
39	Gear	CNV9514			
40	Gear	CNV9515			
41	Gear	CNV9516			
42	Rack	CNV9517			
43	Arm	CNV7216			
44	Roller	CNV8189			
45	Gear	CNV9518			
46	Guide	CNV9519			
47	Gear	CNV7595			
48	Guide	CNV9520			
49	Arm	CNV7805			

# 12. ELECTRICAL PARTS LIST

**NOTE:**

- Parts whose parts numbers are omitted are subject to being not supplied.
- The part numbers shown below indicate chip components.

Chip Resistor

RS1/○S○○○○J,RS1/○○S○○○○J

Chip Capacitor (except for CQS.....)

CKS....., CCS....., CSZS.....

- The  $\triangle$  mark found on some component parts indicates the importance of the safety factor of the part. Therefore, when replacing, be sure to use parts of identical designation.
- Meaning of the figures and others in the parentheses in the parts list.

Example) IC 301 is on the point (face A, 91 of x-axis, and 111 of y-axis) of the corresponding PC board.

IC 301 (A, 91, 111) IC NJM2068V

**Circuit Symbol and No.**

**Part No.**

**Circuit Symbol and No.**

**Part No.**

**(A):AVIC-U310BT/XSUC**

**(B):AVIC-F310BT/XSEU5**

**(C):AVIC-F310BT/XSAU**

**Unit Number: CWN4078(A)**

**Unit Number: CWN4079(B)**

**Unit Number: CWN4081(C)**

**Unit Name : Main Unit**

**Unit Number: CWX3678**

**Unit Name : CD Core Unit(S10.5COMP2-iPod-C3)**

IC 501	(A,103,90) IC	PML018A
IC 541	(A,78,136) IC	PAL007C
IC 601	(A,105,32) L-MOS And Gate	TC7SET08FUS1
IC 602	(A,108,49) IC(A)	PEG567A
	(A,108,49) IC(B)	PEG566A
	(A,108,49) IC(C)	PEG568A

IC 691	(A,110,26) IC	TC7SH04FUS1
IC 692	(A,82,96) 1 Chip or Gate	TC7SH32FUS1
IC 693	(A,114,25) IC	S-80838CNMC-B8X
IC 751	(A,139,76) IC	BA4558RFVM
IC 901	(A,120,63) IC(A)	HA12241FP

IC 951	(A,89,32) IC	M62343FP
Q 201	(A,73,85) Transistor	2SC4081
Q 202	(A,76,87) Transistor	2SC4081
Q 211	(A,19,54) Transistor	2SC4116
Q 221	(A,18,66) Chip Transistor(A)	2SA1576A

Q 231	(A,60,55) Chip Transistor	DTC114EUA
Q 241	(A,56,60) Chip Transistor	2SA1576A
Q 301	(A,120,35) Transistor(B)	UMH1N
Q 302	(A,120,31) Transistor(B)	UMH1N
Q 401	(A,18,95) Transistor	UMD2N

Q 402	(A,9,97) Transistor	2SD2396
Q 531	(A,73,97) Transistor	2SC4081
Q 532	(A,76,106) Digital Transistor	DTC144EUA
Q 533	(A,81,99) Chip Transistor	DTC124EUA
Q 534	(A,77,95) Transistor	UMD2N

Q 571	(A,143,107) Transistor	UMH3N
Q 573	(A,133,108) Transistor(A,C)	UMH3N
Q 751	(A,135,80) Transistor	DTC323TU
Q 752	(A,135,74) Transistor	UMD2N
Q 901	(A,113,71) Chip Transistor(A)	2SA1576A

Q 902	(A,113,67) Chip Transistor(A)	DTC114EUA
Q 951	(A,68,31) Transistor	UMX1N
Q 952	(A,62,31) Transistor	UMX1N
Q 953	(A,57,31) Transistor	UMX1N
Q 954	(A,35,44) Transistor	UMX1N

Q 955	(A,29,44) Transistor	UMX1N
Q 956	(A,24,44) Transistor	UMX1N
D 101	(A,49,115) Diode	ST70-27F
D 102	(B,78,110) Diode	S1G-6904G2P
D 103	(B,73,108) Diode	S1G-6904G2P

model  
**(A):AVIC-U310BT/XSUC**  
**(B):AVIC-F310BT/XSEU5**  
**(C):AVIC-F310BT/XSAU**

**Main Unit**  
**Consists of**  
**Main PCB**  
**Key PCB**

**AB**  
**Unit Number: CWN4078(A)**  
**Unit Number: CWN4079(B)**  
**Unit Number: CWN4081(C)**  
**Unit Name : Main Unit**

**MISCELLANEOUS**

IC 111	(A,9,104) IC	NJM2388F84
IC 121	(A,59,77) IC	BD3931FP
IC 131	(A,39,85) IC	LT1912EMSE
IC 151	(B,65,80) IC	BD6538G
IC 301	(A,142,46) IC	NJM2885DL1-33
IC 401	(A,73,76) IC	NJM2885DL1-33

5			6			7			8		
<u>Circuit Symbol and No.</u>			<u>Part No.</u>			<u>Circuit Symbol and No.</u>			<u>Part No.</u>		
D 121	(A,58,84)	Diode	RR264M-400	L 602	(A,93,44)	Inductor	LCTAW2R2J2520				
D 131	(A,37,78)	Diode	RB060L-40	L 603	(A,90,67)	Inductor	LCTAW2R2J2520				
D 201	(A,73,94)	Diode	HZU7R5(B3)	L 691	(A,79,93)	Inductor	CTF1410				
D 202	(A,73,91)	Diode	RB500V-40	L 692	(A,109,30)	Inductor	CTF1410				
D 203	(A,73,93)	Diode	RB500V-40	L 901	(A,120,69)	Inductor(A)	LCTAW2R2J2520				
D 204	(A,73,89)	Diode	EDZ20(B)	L 951	(A,84,29)	Chip Coil	LCTAW100J2520				
D 211	(A,13,55)	Diode	HZU6R8(B2)	X 601	(A,108,35)	Ceramic Resonator	20.000 MHz VSS1186				
D 212	(A,15,57)	Diode	PTZ20(B)	S 802	(A,7,21)	Push Switch	CSG1155				
D 221	(A,16,74)	Diode(A)	PTZ27(B)	S 803	(A,92,37)	Push Switch	CSG1155				
D 222	(A,16,70)	Diode(A)	1SS355	S 804	(A,48,22)	Switch	CSX1135				
D 231	(A,58,54)	Diode	1SR154-400	S 805	(A,92,9)	Push Switch	CSG1155				
D 241	(A,57,68)	Diode	PTZ18A	S 806	(A,23,28)	Push Switch	CSG1155				
D 242	(A,56,62)	Diode	1SS355	S 807	(A,75,28)	Push Switch	CSG1155				
D 243	(A,56,64)	Diode	1SS355	△P131	(A,51,100)	Fuse 3.15 A	CEK1259				
D 401	(A,18,92)	Diode	UDZS8R2(B)	P 301	(B,149,107)	Surge Protector	IMSA-6801-01Y901				
D 402	(A,72,67)	Diode	RR264M-400	P 571	(B,138,106)	Poly Switch	MINISMDC075F/24				
D 403	(A,72,64)	Diode	RR264M-400	△P901	(A,102,70)	Fuse 1.25 A	CEK1255				
D 531	(A,73,99)	Diode	HZU8R2(B2)	CN151	(A,113,119)	Connector	CKS5669				
D 533	(A,78,102)	Diode	DAN202U	CN401	(A,71,47)	Connector	VKN1834				
D 701	(B,147,22)	Diode(B)	EDZ6R8(B)	CN701	(A,139,3)	Connector	CKS6050				
D 702	(B,142,20)	Diode(B)	EDZ6R8(B)	CN801	(B,66,27)	Connector	CKS4808				
D 703	(B,141,20)	Diode	EDZ6R8(B)	CN901	(A,107,76)	Connector	VKN1838				
D 704	(B,138,20)	Diode	EDZ6R8(B)	CN951	(A,28,36)	Connector	VKN1830				
D 705	(B,132,18)	Diode	EDZ6R8(B)	JA101	(A,44,135)	Plug	CKM1376				
D 706	(B,131,18)	Diode	EDZ3R6(B)	JA301	(A,162,127)	Antenna Jack	CKX1056				
D 707	(A,146,20)	Diode	RB751V-40	JA571	(A,139,121)	Pin Jack(A,C)	CKB1051				
D 709	(B,148,19)	Diode	EDZ6R8(B)		(A,139,121)	Pin Jack(B)	CKB1056				
D 710	(B,151,18)	Diode	EDZ6R8(B)	JA901	(A,16,141)	Jack	YKS5001				
D 711	(B,149,18)	Diode	EDZ6R8(B)			FM/AM Tuner Unit(A,C)	CWE2098				
D 712	(B,134,15)	Diode	EDZ6R8(B)			FM/AM Tuner Unit(B)	CWE2127				
D 713	(B,129,15)	Diode	EDZ6R8(B)	<b>RESISTORS</b>							
D 714	(B,137,15)	Diode	EDZ6R8(B)	R 101	(A,9,52)	(B)	RS1/16S0R0J				
D 832	(A,64,28)	LED	NSSM025-6502	R 102	(A,9,49)	(A,C)	RS1/16S0R0J				
D 837	(A,32,16)	LED	NSSM025-6502	R 103	(A,9,47)	(C)	RS1/16S0R0J				
D 901	(B,16,127)	Diode	UDZS18(B)	R 111	(A,13,111)		RS1/16SS473J				
D 902	(B,19,127)	Diode	UDZS18(B)	R 131	(A,37,89)		RS1/16SS183J				
D 903	(A,16,133)	Diode	MALS180X	R 133	(A,36,88)		RS1/16SS104J				
D 904	(A,12,133)	Diode	MALS180X	R 134	(A,41,90)		RS1/16S0R0J				
D 905	(A,16,132)	Diode	MALS180X	R 135	(A,35,91)		RS1/16S0R0J				
D 906	(A,111,110)	Diode	MALS068X	R 136	(A,39,91)		RS1/16SS5603D				
D 907	(A,114,110)	Diode	MALS068X	R 137	(A,38,92)		RS1/16SS0R0J				
D 908	(B,115,108)	Diode	MALS068X	R 138	(A,39,90)		RS1/16SS1003D				
L 101	(A,36,110)	Choke Coil 600 uH	CTH1347	R 139	(A,43,83)		RS1/16S104J				
L 131	(A,46,71)	Inductor	CTH1257	R 141	(A,38,75)		RS1/10S2R2J				
L 132	(A,47,88)	Inductor	BTH1110	R 151	(B,62,81)		RS1/16SS104J				
L 151	(A,113,108)	Inductor	CTF1713	R 201	(A,76,90)		RS1/16SS473J				
L 211	(A,12,64)	Inductor	CTF1295	R 202	(A,75,90)		RS1/16SS104J				
L 221	(A,18,76)	Inductor(A)	CTF1556	R 203	(A,73,88)		RS1/16SS103J				
L 241	(A,58,65)	Inductor	CTF1410	R 204	(A,73,87)		RS1/16SS103J				
L 301	(A,147,86)	Chip Coil	LCTAW1R0J2520	R 211	(A,16,54)		RS1/16SS223J				
L 302	(B,149,102)	Inductor	LCTC220K2125	R 212	(A,16,55)		RS1/16SS223J				
L 303	(A,143,54)	Chip Coil	LCTAW1R0J2520	R 213	(A,13,61)		RS1/16S4701D				
L 304	(A,120,81)	Chip Coil	LCTAW1R0J2520	R 214	(A,24,133)		RS1/4S102J				
L 501	(A,114,90)	Inductor	LCTAW2R2J2520	R 221	(A,19,72)	(A)	RS1/10S103J				
L 502	(B,104,99)	Inductor	CTF1689	R 222	(A,16,68)	(A)	RS1/16SS0R0J				
L 541	(A,93,121)	Inductor	CTF1689	R 223	(A,15,67)	(A)	RS1/16SS103J				
L 542	(A,94,127)	Inductor	CTF1689	R 224	(A,18,68)	(A)	RS1/16SS105J				
L 543	(A,96,129)	Inductor	CTF1689	R 225	(A,19,64)	(A)	RS1/16SS101J				
L 544	(A,96,118)	Inductor	CTF1689	R 231	(A,60,52)		RS1/16SS103J				
L 601	(A,103,29)	Inductor	CTF1410								

1

2

3

4

**Circuit Symbol and No.****Part No.****Circuit Symbol and No.****Part No.**

R 232	(A,57,46)	RS1/4S472J	R 617	(A,121,48)	RS1/16SS104J
R 233	(A,54,55)	RS1/4S102J	R 618	(A,121,49)	RS1/16SS681J
A R 241	(A,25,129)	RS1/4S103J	R 620	(A,121,51)	RS1/16SS681J
R 243	(A,59,61)	RS1/16SS103J	R 621	(A,115,62) (A)	RS1/16SS681J
R 244	(A,54,61)	RS1/16SS105J	R 622	(A,116,62)	RS1/16SS681J
R 245	(A,57,58)	RS1/16SS101J	R 623	(A,114,62) (A)	RS1/16SS681J
R 302	(B,149,77) (B)	RS1/16SS332J	R 624	(A,108,63)	RS1/16SS102J
R 303	(B,161,61)	RS1/16SS332J	R 625	(A,107,63)	RS1/16SS102J
R 307	(B,147,89)	RS1/16SS681J	R 626	(A,106,63)	RS1/16SS102J
R 313	(A,116,37) (B)	RS1/16S221J	R 627	(A,103,64)	RS1/16SS104J
R 314	(A,141,34)	RS1/4S4R7J	R 628	(A,102,64)	RS1/16SS104J
R 315	(A,116,35) (B)	RS1/16S221J	R 629	(A,101,64)	RS1/16SS104J
R 401	(A,67,55)	RS1/16SS120J	R 630	(A,100,64)	RS1/16SS104J
R 402	(A,66,55)	RS1/16SS120J	R 631	(A,96,56)	RS1/16SS681J
R 403	(A,18,99)	RS1/4S271J	R 632	(A,96,55)	RS1/16SS681J
R 404	(A,69,54)	RS1/16S0R0J	R 633	(A,96,54)	RS1/16SS681J
R 409	(A,78,51)	RS1/16SS681J	R 634	(A,96,52)	RS1/16SS681J
R 416	(A,71,61)	RS1/16S0R0J	R 635	(A,96,51)	RS1/16SS681J
R 501	(A,89,87) (A)	RS1/16SS102J	R 636	(A,96,53)	RS1/16SS681J
R 502	(A,89,85) (A)	RS1/16SS181J	R 638	(A,98,41)	RS1/16SS681J
R 503	(A,89,86) (A)	RS1/16SS223J	R 639	(A,98,42)	RS1/16SS681J
R 504	(A,115,83) (A)	RS1/16SS102J	R 640	(A,102,26)	RS1/16SS104J
R 505	(A,115,81) (A)	RS1/16SS181J	R 641	(A,102,28)	RS1/16SS104J
R 506	(A,115,82) (A)	RS1/16SS223J	R 642	(A,116,38) (B)	RS1/16S104J
C R 507	(A,91,82)	RS1/16SS102J	R 643	(A,116,32) (B)	RS1/16S104J
R 508	(A,90,81)	RS1/16SS223J	R 644	(A,116,33) (B)	RS1/16S104J
R 509	(A,90,82)	RS1/16SS223J	R 645	(A,116,36) (B)	RS1/16S104J
R 531	(A,75,99)	RS1/16SS104J	R 646	(A,121,56) (A)	RS1/16SS472J
R 532	(A,76,99)	RS1/16SS473J	R 647	(A,121,58) (A)	RS1/16SS472J
R 533	(A,73,105)	RS1/16SS104J	R 648	(A,124,45)	RS1/16SS104J
R 534	(A,81,105)	RS1/16SS101J	R 649	(A,110,62)	RS1/16SS103J
R 535	(A,83,102)	RS1/16SS103J	R 650	(A,93,58)	RS1/16S104J
R 536	(A,82,104)	RS1/16SS221J	R 651	(A,93,56)	RS1/16S104J
R 537	(A,82,102)	RS1/16SS153J	R 652	(A,93,57)	RS1/16SS104J
R 538	(A,73,101)	RS1/4S102J	R 653	(A,93,55)	RS1/16SS104J
D R 541	(B,116,126)	RS1/16SS0R0J	R 654	(A,93,51)	RS1/16SS104J
R 542	(B,116,124)	RS1/16SS0R0J	R 655	(A,93,46)	RS1/16SS104J
R 543	(B,116,119)	RS1/16SS0R0J	R 656	(A,90,44)	RS1/16SS472J
R 544	(B,116,121)	RS1/16SS0R0J	R 657	(A,91,44)	RS1/16SS472J
R 545	(A,69,127)	RS1/16SS103J	R 658	(A,113,31)	RS1/16SS102J
R 571	(A,145,105)	RS1/16SS821J	R 659	(A,111,38)	RS1/16SS104J
R 575	(A,135,105) (A,C)	RS1/16SS821J	R 660	(A,104,38)	RS1/16SS104J
R 576	(A,140,105)	RS1/16SS821J	R 661	(A,98,38)	RS1/16SS102J
R 577	(A,130,105) (A,C)	RS1/16SS821J	R 663	(A,120,55) (B)	RS1/16SS104J
R 578	(A,141,110)	RS1/16SS223J	R 664	(A,113,61)	RS1/16SS681J
R 579	(A,144,110)	RS1/16SS223J	R 665	(A,112,61)	RS1/16SS681J
E R 582	(A,131,110) (A,C)	RS1/16SS223J	R 666	(A,111,61)	RS1/16SS681J
R 583	(A,134,110) (A,C)	RS1/16SS223J	R 667	(A,121,40)	RS1/16SS104J
R 601	(A,104,35)	RS1/16SS681J	R 668	(A,121,42)	RS1/16SS681J
R 602	(A,93,47)	RS1/16SS472J	R 669	(A,121,43)	RS1/16SS0R0J
R 603	(A,93,48)	RS1/16SS472J	R 670	(A,105,29)	RS1/16SS104J
R 604	(A,102,38)	RS1/16SS681J	R 671	(A,121,52) (B)	RS1/16SS681J
R 605	(A,98,43)	RS1/16SS681J	R 672	(A,121,53) (B)	RS1/16SS681J
R 607	(A,116,60) (A)	RS1/16SS681J	R 673	(B,118,45)	RS1/16SS104J
R 609	(A,112,36)	RS1/16SS332J	R 674	(B,118,53)	RS1/16SS104J
R 612	(A,119,57) (A)	RS1/16SS681J	R 675	(B,118,48)	RS1/16SS104J
F R 613	(A,121,44)	RS1/16SS332J	R 676	(B,118,50)	RS1/16SS104J
R 614	(A,121,45)	RS1/16SS332J	R 677	(A,96,50)	RS1/16SS103J
R 615	(A,121,46)	RS1/16SS0R0J	R 679	(A,102,66)	RS1/16SS104J
R 616	(A,121,47)	RS1/16SS332J	R 681	(B,128,46)	RS1/16SS104J

1

2

3

4

5		6		7		8	
<u>Circuit Symbol and No.</u>		<u>Part No.</u>		<u>Circuit Symbol and No.</u>		<u>Part No.</u>	
R 682	(B,128,52)	RS1/16SS104J		R 960	(A,34,41)	RS1/16SS121J	
R 691	(A,116,25)	RS1/16SS822J		R 961	(A,32,41)	RS1/16SS101J	
R 701	(A,135,23)	RS1/10S0R0J		R 962	(A,38,46)	RS1/16SS101J	A
R 702	(A,151,17)	RS1/10S680J		R 963	(A,36,47)	RS1/16SS101J	
R 704	(A,147,17)	RS1/10S680J		R 964	(A,37,44)	RS1/16S121J	
R 709	(A,136,19)	RS1/10S0R0J		R 965	(A,36,42)	RS1/16SS101J	
R 710	(A,138,15)	RS1/10S222J		R 966	(A,28,44)	RS1/16SS121J	
R 711	(A,141,15)	RS1/10S222J		R 967	(A,28,42)	RS1/16SS151J	
R 712	(A,153,17)	RS1/10S102J		R 968	(A,31,47)	RS1/16SS101J	
R 713	(A,130,17)	RS1/10S680J		R 969	(A,31,44)	RS1/16S121J	
R 714	(A,132,17)	RS1/10S680J		R 970	(A,31,42)	RS1/16SS151J	
R 715	(A,144,19) (B)	RS1/10S0R0J		R 971	(A,29,47)	RS1/16SS101J	
R 716	(A,149,17) (B)	RS1/10S0R0J		R 972	(A,24,41)	RS1/16SS151J	
R 751	(A,143,72)	RS1/16SS332J		R 973	(A,23,41)	RS1/16SS181J	B
R 752	(A,137,71)	RS1/16SS103J		R 974	(A,25,47)	RS1/16SS101J	
R 753	(B,137,75)	RS1/16SS102J		R 975	(A,26,44)	RS1/16S151J	
R 754	(B,139,76)	RS1/16SS223J		R 976	(A,26,42)	RS1/16SS181J	
R 755	(B,140,77)	RS1/16SS223J		R 977	(A,24,47)	RS1/16SS101J	
R 757	(A,141,72)	RS1/16SS103J		R 989	(A,104,68) (B)	RS1/16SS0R0J	
R 758	(A,139,79)	RS1/16SS473J		R 990	(A,97,72)	RS1/16S0R0J	
R 759	(A,139,71)	RS1/16SS103J					
R 760	(A,140,71)	RS1/16SS103J		<b><u>CAPACITORS</u></b>			
R 764	(A,136,83)	RS1/16SS182J		C 101	(B,70,110)	CKSRYB102K50	
R 765	(A,137,83)	RS1/16SS182J		C 111	(A,13,108)	CKSRYB103K50	
R 766	(A,142,74)	RS1/16SS332J		C 112	(A,122,87)	CEVW221M10	C
R 767	(A,135,71)	RS1/16SS104J		C 113	(A,18,106)	CEVW101M16	
R 810	(A,59,31)	RS1/16S0R0J		C 114	(A,13,104)	CKSRYB103K50	
R 811	(A,60,27)	RS1/16SS0R0J		C 121	(A,54,72)	CKSRYB104K50	
R 812	(A,67,29)	RS1/16SS0R0J		C 122	(A,64,81)	CKSQYB334K16	
R 813	(A,65,21)	RS1/16SS0R0J		C 123	(A,61,93)	CEAT332M16(P35)	
R 814	(A,55,14)	RS1/16SS0R0J		C 131	(A,35,89)	CKSSYB222K50	
R 815	(A,32,23)	RS1/16SS0R0J		C 132	(A,38,80)	CKSRYB474K16	
R 816	(A,35,23)	RS1/16SS0R0J		C 133	(A,47,80)	CEHVAW101M16	
R 822	(A,90,32)	RS1/16SS391J		C 134	(B,45,70) 100 uF/10 V	CCH1927	
R 823	(A,52,34)	RS1/16SS152J		C 135	(A,38,91)	CKSSYB682K25	
R 824	(A,50,34)	RS1/16SS182J		C 136	(A,44,96)	CEHVAW101M16	D
R 825	(A,53,36)	RS1/16SS0R0J		C 137	(A,41,83)	CKSRYB104K50	
R 826	(A,58,16)	RS1/16SS0R0J		C 139	(A,37,73)	CKSQYB222K50	
R 827	(A,92,32)	RS1/16SS122J		C 151	(B,68,79)	CKSRYB105K10	
R 828	(A,25,25)	RS1/16SS182J		C 152	(B,62,79)	CKSRYB105K10	
R 829	(A,47,34)	RS1/16SS332J		C 212	(A,13,59)	CKSRYB104K50	
R 830	(A,66,37)	RS1/16SS332J		C 221	(A,18,74) (A)	CKSRYF103Z50	
R 831	(A,66,36)	RS1/16SS682J		C 222	(A,17,64) (A)	CKSRYB104K50	
R 832	(A,45,34)	RS1/16SS682J		C 231	(A,55,48)	CKSRYB102K50	
R 901	(A,15,129)	RS1/16S101J		C 232	(A,58,50)	CKSQYB105K16	
R 902	(A,13,129)	RS1/16S101J		C 241	(A,56,66)	CKSRYB102K50	
R 903	(A,113,72) (A)	RS1/16SS222J		C 301	(A,147,59)	CEVW470M6R3	E
R 904	(A,110,71) (A)	RS1/16SS332J		C 302	(A,147,55)	CKSRYB103K50	
R 905	(A,112,69) (A)	RS1/16SS562J		C 304	(A,144,38)	CKSYB475K10	
R 906	(B,21,127)	RS1/16S102J		C 305	(A,142,91)	CEVW101M16	
R 907	(B,15,128)	RS1/16S102J		C 307	(B,148,64)	CKSRYB103K50	
R 951	(A,70,31)	RS1/16S224J		C 308	(A,140,59)	CEVW470M6R3	
R 952	(A,69,34)	RS1/16SS102J		C 311	(A,120,79)	CCSRCH101J50	
R 953	(A,71,33)	RS1/16SS222J		C 312	(B,160,93)	CCSSCH101K50	
R 954	(A,64,31)	RS1/16S224J		C 401	(A,15,95)	CKSRYB473K25	
R 955	(A,65,34)	RS1/16SS102J		C 403	(A,16,85)	CEVW101M16	
R 956	(A,65,33)	RS1/16SS222J		C 406	(A,76,59)	CEVW220M10	F
R 957	(A,59,31)	RS1/16S224J		C 407	(A,75,68)	CKSRYB105K10	
R 958	(A,59,35)	RS1/16SS102J		C 408	(A,72,69)	CKSRYB474K16	
R 959	(A,59,33)	RS1/16SS222J					

1

**Circuit Symbol and No.**

2

**Part No.**

3

**Circuit Symbol and No.**

4

**Part No.**

C 411	(A,80,53)	CKSRYB105K10	C 615	(B,111,35)	CKSQYB475K10
C 501	(A,92,87) (A)	CKSRYB105K10	C 616	(B,120,47)	CKSRYB102K50
C 502	(A,92,85) (A)	CKSRYB105K10	C 681	(B,132,53)	CKSRYB104K50
A					
C 503	(A,92,90)	CKSRYB224K10	C 692	(A,80,93)	CKSRYB104K50
C 504	(A,92,83)	CKSRYB105K10	C 693	(A,110,28)	CKSRYB104K50
C 505	(A,113,87)	CKSRYB224K10	C 694	(A,115,28)	CKSRYB473K25
C 506	(A,94,80)	CKSRYB105K10	C 695	(A,120,27)	CEVW100M16
C 507	(A,113,82) (A)	CKSRYB105K10	C 751	(A,144,79)	CEVW100M16
■					
C 508	(A,94,82)	CKSRYB105K10	C 752	(A,143,74)	CKSRYB105K10
C 509	(A,122,94)	CEVW100M16	C 753	(A,137,76)	CKSRYB104K50
C 510	(A,114,97)	CEVW470M10	C 754	(B,139,75)	CKSSYB103K16
C 511	(A,113,92)	CKSRYB104K50	C 755	(B,139,77)	CCSSCH151J50
C 512	(A,122,99)	CEVW100M16	C 756	(A,141,79)	CCSSCH151J50
B					
C 513	(A,113,84) (A)	CKSRYB105K10	C 758	(A,138,72)	CKSSYB221K50
C 514	(A,92,91)	CKSRYB105K10	C 759	(A,141,71)	CKSSYB221K50
C 515	(A,113,88)	CKSRYB105K10	C 760	(A,146,73)	CKSRYB105K10
C 516	(A,92,88)	CKSRYB105K10	C 761	(A,137,81)	CKSQYB225K10
C 517	(A,113,85)	CKSRYB105K10	C 762	(A,137,69) 10 uF	DCH1201
■					
C 518	(A,111,92)	CCSRCH101J50	C 763	(A,141,69) 10 uF	DCH1201
C 519	(A,109,98)	CCSRCH101J50	C 803	(A,64,23)	CKSRYB104K50
C 531	(A,74,110)	CEHVW330M10	C 804	(A,64,24)	CKSRYB104K50
C 545	(A,99,118)	CKSQYB474K16	C 805	(A,32,21)	CKSRYB104K50
C 546	(A,96,125)	CKSQYB474K16	C 806	(A,32,19)	CKSRYB104K50
C					
C 547	(A,94,124)	CKSQYB474K16	C 901	(B,13,128)	CKSRYB102K50
C 548	(A,96,119)	CKSQYB474K16	C 902	(B,23,127)	CKSRYB102K50
C 549	(A,75,126)	CKSQYB225K10	C 903	(A,119,67) (A)	CKSRYB103K50
C 550	(A,78,125)	CKSQYB225K10	C 906	(A,14,132)	CKSRYB104K50
C 551	(A,79,121)	CEHVW100M16	C 951	(A,72,31)	CKSQYB475K6R3
■					
C 552	(A,62,108) 3 300 uF/16 V	CCH1494(P35)	C 952	(A,80,32)	CEVW100M16
C 553	(B,113,119)	CKSRYB474K10	C 954	(A,66,31)	CKSQYB475K6R3
C 554	(B,113,126)	CKSRYB474K10	C 957	(A,60,31)	CKSQYB475K6R3
C 555	(B,113,124)	CKSRYB474K10	C 958	(A,75,32)	CEVW100M16
C 556	(B,113,121)	CKSRYB474K10	C 959	(A,94,32)	CKSSYB221K50
D					
C 557	(A,62,126)	CKSRYB104K50	C 960	(A,94,33)	CKSSYB221K50
C 558	(B,79,108)	CKSRYB102K50	C 961	(A,94,34)	CKSSYB221K50
C 571	(A,140,101)	CEVW2R2M50			
C 572	(A,145,101)	CEVW2R2M50			
C 573	(B,126,127) (A,C)	CKSRYB104K50			
■					
C 574	(B,141,127)	CKSRYB104K50			
C 575	(A,130,101) (A,C)	CEVW2R2M50			
C 576	(A,135,101) (A,C)	CEVW2R2M50			
C 577	(A,141,111)	CKSRYB222K50			
C 578	(A,144,111)	CKSRYB222K50			
E					
C 579	(B,148,127)	CKSRYB104K50			
C 580	(B,136,127) (A,C)	CKSRYB104K50			
C 581	(A,132,111) (A,C)	CKSRYB222K50			
C 582	(A,134,111) (A,C)	CKSRYB222K50			
C 601	(A,103,32)	CKSSYB104K16			
■					
C 602	(A,110,60)	CKSSYB104K16			
C 603	(A,109,37)	CKSRYB104K50			
C 604	(A,98,45)	CKSRYB104K50			
C 605	(A,96,45)	CKSRYB104K50			
C 606	(A,94,60)	CKSRYB105K10			
F					
C 607	(A,95,63)	CEVW100M16			
C 608	(A,95,72)	CKSRYB104K50			
C 609	(A,97,38)	CKSQYB104K50			
C 610	(A,95,68)	CEVW100M16			
C 612	(B,99,47)	CCSSCH102J50			
C 613	(B,99,48)	CCSSCH102J50			
C 614	(A,97,59)	CCSSCH102J50			

**C****Unit Number : CWX3678****Unit Name : CD Core Unit(S10.5COMP2-iPod-C3)****MISCELLANEOUS**

IC 201	(A,35,46) IC	PE5661A
IC 205	(B,24,49) IC	341S2162
IC 301	(A,28,15) IC	BA5839FP
Q 101	(B,58,69) Transistor	2SA1577
Q 102	(B,48,58) Chip Transistor	2SB1689
Q 201	(B,27,54) Transistor	2SA1577
X 201	(A,22,37) Ceramic Resonator 16.934 MHz	CSS1603
X 205	(B,33,63) Oscillator 48.000 MHz	CSS1753
S 901	(A,55,37) Switch(HOME)	CSN1067
S 903	(B,19,58) Switch(DSCSNS)	CSN1067
S 904	(B,40,68) Switch(12EJ)	CSN1068
S 905	(B,25,69) Switch(8EJ)	CSN1068

**RESISTORS**

R 101	(B,61,74)	RS1/10SR2R4J
R 102	(B,61,72)	RS1/10SR2R4J
R 103	(B,61,71)	RS1/10SR2R7J
R 104	(B,53,66)	RS1/16SS222J

1

2

3

4

5		6		7		8	
<u>Circuit Symbol and No.</u>		<u>Part No.</u>		<u>Circuit Symbol and No.</u>		<u>Part No.</u>	
R 105	(B,44,57)	RS1/16SS102J		<b><u>CAPACITORS</u></b>			
R 107	(B,52,60)	RS1/16SS105J		C 106	(B,56,67)	CKSQYB475K10	
R 202	(A,27,32)	RS1/16SS473J		C 202	(A,28,57)	CKSSYB104K10	A
R 203	(A,51,44)	RS1/16S473J		C 204	(A,23,59)	CKSSYB103K16	
R 204	(A,23,58)	RS1/16SS221J		C 205	(B,27,41)	CKSQYB475K10	
R 206	(B,10,26)	RS1/16SS104J		C 206	(A,23,40)	CKSSYB104K10	
R 209	(B,18,52)	RS1/16SS103J		C 207	(A,24,37)	CKSRYB104K16	
R 210	(B,10,23)	RS1/16SS102J		C 209	(B,35,34)	CEVW220M6R3	
R 214	(B,49,50)	RS1/16SS472J		C 210	(B,29,37)	CKSSYB104K10	
R 216	(B,48,49)	RS1/16SS472J		C 211	(A,28,35)	CKSSYB104K10	
R 221	(A,51,48)	RS1/16SS103J		C 212	(A,28,30)	CKSRYB104K16	
R 222	(A,51,46)	RS1/16SS103J		C 213	(A,46,39)	CKSSYB104K10	
R 223	(B,13,43)	RS1/16SS473J		C 214	(A,29,33)	CKSSYB104K10	
R 225	(A,50,50)	RS1/16SS103J		C 216	(A,51,52)	CKSSYB332K50	B
R 226	(A,50,51)	RS1/16SS393J		C 217	(A,48,51)	CKSSYB104K10	
R 227	(B,47,51)	RS1/16SS562J		C 218	(A,50,52)	CKSSYB473K10	
R 228	(B,44,51)	RS1/16SS122J		C 219	(A,47,53)	CKSSYB104K10	
R 229	(B,46,53)	RS1/16SS472J		C 220	(A,48,53)	CKSSYB182K50	
R 230	(B,21,25)	RS1/16SS0R0J		C 221	(A,46,54)	CKSSYB104K10	
R 232	(B,45,51)	RS1/16SS122J		C 222	(B,45,53)	CCSSCH560J50	
R 233	(B,26,59)	RS1/16SS103J		C 223	(B,47,53)	CCSSCH4R0C50	
R 234	(B,22,26)	RS1/16SS473J		C 224	(A,44,55)	CKSSYB104K10	
R 235	(A,26,59)	RS1/16SS473J		C 226	(A,42,59)	CCSSCH680J50	
R 237	(A,24,35)	RS1/16SS151J		C 227	(A,42,61)	CCSSCH470J50	
R 240	(B,14,26)	RS1/16S473J		C 228	(B,41,61)	CKSSYB103K16	C
R 241	(B,13,25)	RS1/16SS103J		C 229	(B,48,60)	CKSSYB104K10	
R 244	(B,22,55)	RS1/16SS473J		C 236	(A,49,58)	CKSSYB104K10	
R 249	(B,14,50)	RS1/16SS103J		C 239	(B,46,51)	CCSSCH220J50	
R 250	(B,19,50)	RS1/16SS101J		C 240	(A,38,61)	CKSSYB104K10	
R 252	(B,18,47)	RS1/16SS101J		C 243	(B,22,41)	CKSQYB475K10	
R 254	(A,25,64)	RS1/16SS104J		C 250	(A,52,48)	CKSSYB102K50	
R 255	(A,26,63)	RS1/16SS104J		C 251	(A,52,46)	CKSSYB102K50	
R 256	(A,25,62)	RS1/16SS104J		C 260	(A,28,61)	CKSSYB104K10	
R 259	(A,27,66)	RS1/16SS0R0J		C 261	(B,33,66)	CCSSCH8R0D50	
R 261	(A,26,65)	RS1/16SS104J		C 262	(B,31,66)	CCSSCH8R0D50	
R 262	(A,29,59)	RS1/16SS0R0J		C 290	(B,26,45)	CKSSYB104K10	D
R 263	(A,27,63)	RS1/16SS0R0J		C 293	(B,43,61)	CKSSYB102K50	
R 273	(B,18,48)	RS1/16SS103J		C 294	(B,24,41)	CKSSYB104K10	
R 277	(B,18,50)	RS1/16SS103J		C 303	(A,36,19)	CKSSYB472K25	
R 282	(A,30,61)	RS1/16SS120J		C 304	(A,36,21)	CKSSYB223K16	
R 283	(A,29,61)	RS1/16SS120J		C 307	(A,22,11)	CKSRYB104K16	
R 284	(B,29,63)	RS1/16SS153J		C 308	(B,11,18)	CKSRYB105K10	
R 285	(B,28,63)	RS1/16SS153J		C 703	(B,14,35)	CCSSCH101J50	
R 291	(B,42,62)	RS1/16SS272J		C 704	(B,11,36)	CKSSYB102K50	
R 292	(B,24,43)	RS1/16SS272J		C 711	(A,31,25)	CKSSYB104K10	
R 293	(B,27,52)	RS1/16SS472J					
R 294	(A,31,62)	RS1/16SS471J		<b>Miscellaneous Parts List</b>			
R 307	(A,35,19)	RS1/16SS183J				Pickup Unit(P10.5)(Service) CXX1942	
R 308	(A,37,19)	RS1/16SS183J		M 1	Motor Unit(SPINDEL)	CXC7134	
R 309	(A,35,21)	RS1/16SS183J		M 2	Motor Unit(LOADING/CARRIAGE)	CXC4026	
R 310	(A,37,22)	RS1/16SS183J					
R 601	(B,30,31)	RS1/16SS0R0J					
R 602	(B,27,31)	RS1/16SS0R0J					
R 606	(B,28,23)	RS1/16S0R0J					
R 701	(B,11,37)	RS1/16SS221J					
R 702	(A,23,56)	RS1/16SS221J					
R 708	(B,15,37)	RS1/16S0R0J					F
R 712	(B,14,54)	RS1/16SS0R0J					
R 713	(B,14,53)	RS1/16SS0R0J					