

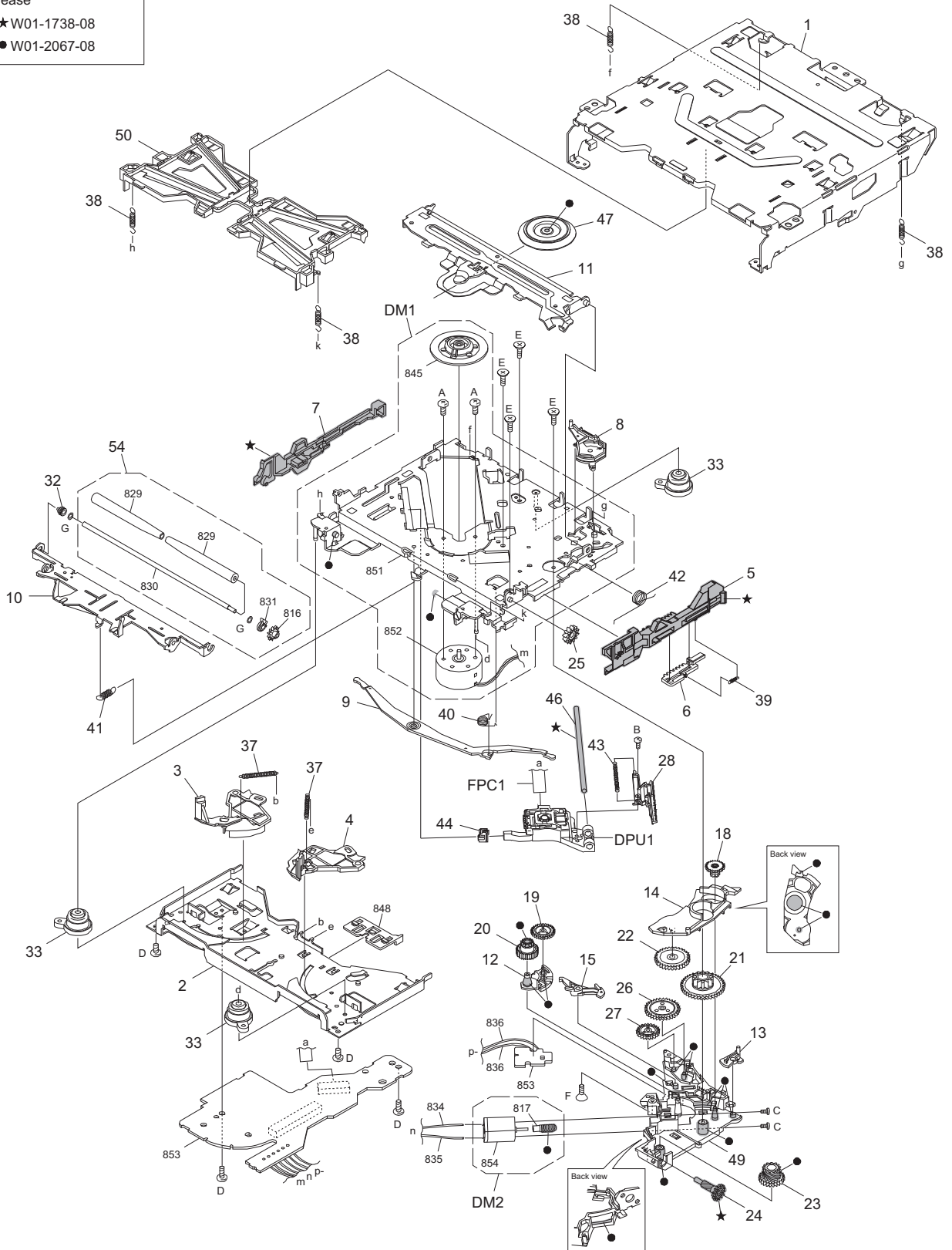
MODEL	MARK	MODEL	MARK
KDC-BT755HD	K1	KDC-X797	K0

Safe	Symbol No.	Parts No.	Parts Name	Description	QTY	Local
EXPLODED VIEW (UNIT) <200>						
△	DC1	E30-6933-05	DC CORD		1	
	DME1	X92-6800-00	MECHANISM ASSY	FC2-1A00WXN	1	
△	F1	F52-0023-05	FUSE	10A	1	
	FC1	E39-1325-05	FLAT CABLE		1	
	PA1	A64-5493-02	PANEL ASSY		1	K1
	PA1	A64-5492-02	PANEL ASSY		1	K0
	RC1	QAL1303-004	REMOTE CONTROL UNIT	RC-406	1	
	A	N09-6758-05	TAPTITE SCREW		2	
	B	QYSDST2604ZA	TAP SCREW	M2.6 x 4mm	2	
	C	QYSDST2606ZA	TAP SCREW	M2.6 x 6mm	5	
	D	QYSPSF2008MA	TAP SCREW	M2 x 8mm	4	
	E	QYSPSF2006ZA	TAP SCREW	M2 x 6mm	1	
	F	GE40662-001A	SPECIAL SCREW		2	
	G	GE40377-005A	SPECIAL SCREW		2	
	H	QYSDST2608ZA	TAP SCREW	M2.6 x 8mm	2	
	J	QYSDST2610ZA	TAP SCREW	M2.6 x 10mm	1	
	K	QYSDSF2608ZA	TAP SCREW	M2.6 x 8mm	1	
	L	QYSDSG3006ZA	TAP SCREW	M3 x 6mm	1	
	208	GE35081-001A	F.CHASSIS ASSY		1	
	210	GE35078-001A	LOCK LEVER		1	
	211	GE40504-001A	SPRING		1	
	212	GE35079-001A	RELEASE LEVER		1	
	213	GE40505-001A	SPRING		1	
	215	GE10352-001A	REAR COVER		1	
	216	GE35088-001A	EJECT BUTTON		1	
	217	GE40640-004A	KNOB ASSY	ACC	1	
	219	GE35102-001A	DETACH BUTTON		1	
	220	GE40505-002A	SPRING		1	
	221	GE40635-003A	VOL KNOB RUBBER		1	K1
	221	GE40636-003A	VOL KNOB RUBBER		1	K0
	226	GE20322-001A	LIGHT GUIDE	USB	1	
	227	GE35097-001A	SRC BUTTON		1	
	228	GE35094-001A	SEARCH BTN		1	
	229	GE20321-001A	PRESET BTN		1	
	230	GE35089-001A	USB DOOR COVER		1	
	232	J22-2049-03	MOUNTING HARDWARE ASSY		1	
	233	GE20300-001A	TRIM PLATE	BLAST	1	K1
	233	GE20291-001A	TRIM PLATE	POLISH	1	K0
	234	N99-1757-15	SCREW SET		1	
	236	QYSPSF2008ZA	TAP SCREW	M2 x 8mm	1	
	237	D10-7139-04	LEVER		2	
	240	W01-1664-05	CARRYING CASE	EXCELON	1	K0
	253	QAN0126-001	MICROPHONE	3m	1	
	255	E30-6907-05	CORD WITH CONNECTOR	MIC	1	
	256	GE35092-001A	LIGHTING LENS		1	
	501	B59-2185-00	SUB-INSTRUCTION MANUAL	ENG FRE SPA	1	
	502	H54-5321-03	ITEM CARTON CASE		1	K1
	502	H54-5320-03	ITEM CARTON CASE		1	K0

EXPLODED VIEW (CD MECHANISM: X92-6800-00)

Block No.130

Grease
 ★ W01-1738-08
 ● W01-2067-08



Parts with the exploded numbers larger than 800 are not supplied.

MODEL	MARK	MODEL	MARK
KDC-BT755HD	K1	KDC-X797	K0

Safe	Symbol No.	Parts No.	Parts Name	Description	QTY	Local
------	------------	-----------	------------	-------------	-----	-------

EXPLODED VIEW (CD MECHANISM: X92-6800-00) <130>

DM1	X94-2230-00	MD CHASSIS ASSY			1	
DM2	X94-2240-00	LOADING MOTOR ASSY			1	
DPU1	QAL1498-001	PICK UP			1	
FPC1	QAL1465-001	FPC			1	
A	LV45568-001A	MINI SCREW			2	
B	QYSPSGT1745ZA	TAP SCREW	M1.7 x 4.5mm		1	
C	QYSPSPT2025MA	SCREW	M2 x 2.5mm		2	
D	N09-6108-15	TAPTITE SCREW (M2X3.5)			4	
E	N09-6738-15	TAPTITE SCREW (GEAR SCREW)			4	
F	N09-6921-05	TAPTITE SCREW (MAIN SHAFT SCREW)			1	
G	N19-2356-04	FLAT WASHER			2	
1	A10-5625-11	CHASSIS			1	
2	A10-5626-01	CHASSIS			1	
3	D10-7174-03	ARM			1	
4	D10-7175-03	ARM			1	
5	D10-7177-02	SLIDER			1	
6	D10-7178-03	SLIDER			1	
7	D10-7179-02	SLIDER			1	
8	D10-7180-03	ARM			1	
9	D10-7181-13	LEVER			1	
10	D10-7182-12	LEVER			1	
11	D10-7183-02	ARM			1	
12	D10-7184-03	ARM			1	
13	D10-7185-04	ARM			1	
14	D10-7186-03	ARM			1	
15	D10-7187-13	ARM			1	
18	D13-3104-04	GEAR			1	
19	D13-3105-04	GEAR			1	
20	D13-3106-04	GEAR			1	
21	D13-3107-04	GEAR			1	
22	D13-3108-04	GEAR			1	
23	D13-3109-04	WORM			1	
24	D13-3110-04	GEAR			1	
25	D13-3111-04	GEAR			1	
26	D13-3112-04	GEAR			1	
27	D13-3113-04	GEAR			1	
28	D13-3114-03	RACK (GEAR)			1	
32	D23-0974-14	RETAINER			1	
33	D39-0401-05	DAMPER			3	
37	G01-4810-04	EXTENSION SPRING			2	
38	G01-4811-14	EXTENSION SPRING			4	
39	G01-4813-04	EXTENSION SPRING			1	
40	G01-4814-04	TORSION COIL SPRING			1	
41	G01-4815-04	EXTENSION SPRING			1	
42	G01-4816-04	TORSION COIL SPRING			1	
43	G01-4817-04	EXTENSION SPRING			1	
44	LV36813-501A	SUB GUIDE CAP			1	
46	LV44555-001A	MAIN SHAFT			1	
47	J11-0692-03	CLAMPER			1	
49	J19-7360-11	HOLDER			1	
50	J90-1209-11	GUIDE			1	
54	X94-2250-00	ROLLER ASSY			1	

MODEL	MARK	MODEL	MARK
KDC-BT755HD	K1	KDC-X797	K0

Safe	Symbol No.	Parts No.	Parts Name	Description	QTY	Local
ELECTRIC UNIT (X34-7510-1x) <X34>						
	IC1	LV5684PVD	IC(ANALOGUE)		1	
	IC51	BD9876EFJ	MOS-IC		1	
	IC61	BD9876EFJ	MOS-IC		1	
	IC72	TPS2553DBV	MOS-IC		1	
	IC171	BD00C0AWFP	IC(ANALOGUE)		1	
	IC181	BU1CTD3WG	IC(ANALOGUE)		1	
	IC201	TB2931HQ	IC(ANALOGUE)		1	
	IC251	TDA7720B-X	IC(ANALOGUE)		1	
	IC461	TC7SET08FU-F	MOS-IC		1	
	IC462	TC7SH17FU-F	MOS-IC		1	
	IC701	XC6201P332M-G	IC(ANALOGUE)		1	
	IC801	R5S726B0D216FP	INTEGRATED		1	
	IC821	W10-0842-08	CIRCUIT(MCU) INTEGRATED		1	
	IC831	BD5228FVE	CIRCUIT(ROM)		1	
	IC841	BR24T256FVT-W	IC(ANALOGUE) ROM IC		1	
	IC851	MFI337S3959-X	MICROPROCESSOR IC		1	
	Q111	LSAR523UBFS8	TRANSISTOR		1	K0
	Q114	2SB1188(Q,R)	TRANSISTOR		1	K0
	Q115	LSCR523UBFS8	TRANSISTOR		1	K0
	Q117	LSAR523UBFS8	TRANSISTOR		1	K0
	Q131	LSCR523UBFS8	TRANSISTOR		1	
	Q132	LSCR523UBFS8	TRANSISTOR		1	
	Q133	LSCR523UBFS8	TRANSISTOR		1	
	Q135	LSCR523UBFS8	TRANSISTOR		1	
	Q231	LTC043TUBFS8	DIGI TRANSISTOR		1	
	Q232	LTC043TUBFS8	DIGI TRANSISTOR		1	
	Q233	LTC043TUBFS8	DIGI TRANSISTOR		1	
	Q234	LTC043TUBFS8	DIGI TRANSISTOR		1	
	Q235	LTC043TUBFS8	DIGI TRANSISTOR		1	
	Q236	LTC043TUBFS8	DIGI TRANSISTOR		1	
	Q237	LTA014YUBFS8	DIGI TRANSISTOR		1	
	Q401	LSAR523UBFS8	TRANSISTOR		1	
	Q402	LTC043ZUBFS8	DIGI TRANSISTOR		1	
	Q403	LSCR523UBFS8	TRANSISTOR		1	
	Q701	2SB1188(Q,R)	TRANSISTOR		1	
	Q702	LTC043ZUBFS8	DIGI TRANSISTOR		1	
	Q703	LTC043ZUBFS8	DIGI TRANSISTOR		1	
	Q704	LSAR523UBFS8	TRANSISTOR		1	
	Q851	LTA023JUBFS8	TRANSISTOR		1	
	Q901	LSAR523UBFS8	TRANSISTOR		1	
	Q902	2SB1188(Q,R)	TRANSISTOR		1	
	Q903	LSCR523UBFS8	TRANSISTOR		1	
	D1	RB160L-40	DIODE		1	
	D51	RB080L-30	SB DIODE		1	
	D61	RB080L-30	SB DIODE		1	
	D111	RKS801KF	DIODE		1	K0
	D112	RKZ5.1KG(B2)	Z DIODE		1	K0
	D113	RKS801KF	DIODE		1	K0
	D131	RKZ6.8KG(B2)	Z DIODE		1	
	D132	RKZ6.8KG(B2)	Z DIODE		1	
	D133	RKZ6.8KG(B2)	Z DIODE		1	
	D134	RKZ5.1KG(B2)	Z DIODE		1	
	D135	RB521S-30	DIODE		1	
	D136	MC2846-T111	DIODE		1	
	D137	GS1J-LTP-X	SI DIODE		1	
	D138	GS1J-LTP-X	SI DIODE		1	
	D141	1N5402-BPC04	SI DIODE		1	
	D181	RKS801KF	DIODE		1	
	D201	MC2846-T111	DIODE		1	
	D231	MC2846-T111	DIODE		1	
	D232	MC2850-T111	DIODE		1	
	D251	MC2846-T111	DIODE		1	
	D360	IMSA680201901	SURGE ABSORBER		1	
	D392	MC2850-T111	DIODE		1	
	D393	MC2850-T111	DIODE		1	
	D403	RKZ6.2KG(B2)	Z DIODE		1	
	D406	RKZ5.6KG(B2)	Z DIODE		1	
	D408	MC2850-T111	DIODE		1	
	D409	MC2850-T111	DIODE		1	
	D410	MC2850-T111	DIODE		1	
	D411	MC2850-T111	DIODE		1	
	D461	RKZ6.8KG(B2)	Z DIODE		1	
	D462	RKZ6.8KG(B2)	Z DIODE		1	
	D463	RKZ6.2KG(B2)	Z DIODE		1	
	D465	RKZ6.2KG(B2)	Z DIODE		1	
	D466	RKZ6.2KG(B2)	Z DIODE		1	
	D467	RKZ6.2KG(B2)	Z DIODE		1	
	D511	RKZ6.8KG(B2)	Z DIODE		1	
	D512	RKZ6.8KG(B2)	Z DIODE		1	
	D513	RKZ6.2KG(B2)	Z DIODE		1	
	D521	LVS10C270S030	VARIATOR	27V 3.3PF	1	
	D522	LVS10C270S030	VARIATOR	27V 3.3PF	1	
	D523	HZM6.8ZMWA-E	Z DIODE		1	
	D701	SJPM-H4	DIODE		1	
	D914	MC2850-T111	DIODE		1	
	C1	CK73FB1C105K	CHIP C	16V 1.0UF K	1	
	C3	CK73GB1A105K	CHIP C	10V 1.0UF K	1	
	C5	CK73GB1A105K	CHIP C	10V 1.0UF K	1	
	C6	CD04AR1C471M	ELECTRO	16V 470UF M	1	
	C7	CD04AS0J101M	ELECTRO	6.3V 100UF M	1	
	C8	CK73GB1A105K	CHIP C	10V 1.0UF K	1	
	C9	CK73GB1A105K	CHIP C	10V 1.0UF K	1	

MODEL	MARK	MODEL	MARK
KDC-BT755HD	K1	KDC-X797	K0

Safe	Symbol No.	Parts No.	Parts Name	Description	QTY	Local
	C13	CK73FB1H224K	CHIP C	50V 0.22UF K	1	
	C52	CK73EB1H475K	CHIP C	50V 4.7UF K	1	
	C53	CK73EB1H475K	CHIP C	50V 4.7UF K	1	
	C55	CK73GB1H153K	CHIP C	50V 0.015UF K	1	
	C57	CK73FB1C106K	CHIP C	16V 10UF K	1	
	C58	CK73FB1C106K	CHIP C	16V 10UF K	1	
	C60	CK73GB1H103K	CHIP C	50V 0.01UF K	1	
	C62	CK73EB1H475K	CHIP C	50V 4.7UF K	1	
	C63	CK73EB1H475K	CHIP C	50V 4.7UF K	1	
	C65	CK73GB1H472K	CHIP C	50V 4700PF K	1	
	C67	CK73FB1C106K	CHIP C	16V 10UF K	1	
	C68	CK73FB1C106K	CHIP C	16V 10UF K	1	
	C70	CK73GB1H103K	CHIP C	50V 0.01UF K	1	
	C71	CK73GB1H104K	CHIP C	50V 0.1UF K	1	
	C72	CD04BR1C221M	ELECTRO	16V 220UF M	1	
	C73	CK73GB1H104K	CHIP C	50V 0.1UF K	1	
	C113	CC73HCH1H470J	CHIP C	50V 47PF J	1	K0
	C114	CK73GB1A105K	CHIP C	10V 1.0UF K	1	K0
	C115	CK73HB1H102K	CHIP C	50V 1000PF K	1	K0
	C132	CK73HB1E103K	CHIP C	25V 0.01UF K	1	
	C133	CK73GB1H104K	CHIP C	50V 0.1UF K	1	
	C138	CD04AZ1C332M2	ELECTRO	16V 3300UF M	1	K1
	C138	C90-6784-05	ELECTRO	16V 3900UF M	1	K0
	C171	CK73GB1H104K	CHIP C	50V 0.1UF K	1	
	C172	CK73GB0J225K	CHIP C	6.3V 2.2UF K	1	
	C181	CK73GB1A105K	CHIP C	10V 1.0UF K	1	
	C182	CD04AS0J470M	ELECTRO	6.3V 47UF M	1	
	C183	CK73GB1A105K	CHIP C	10V 1.0UF K	1	
	C201	CK73GB1C224K	CHIP C	16V 0.22UF K	1	
	C202	CK73GB1C224K	CHIP C	16V 0.22UF K	1	
	C203	CK73GB1C224K	CHIP C	16V 0.22UF K	1	
	C204	CK73GB1C224K	CHIP C	16V 0.22UF K	1	
	C205	CK73GB1A105K	CHIP C	10V 1.0UF K	1	
	C206	CD04AS1V100M	ELECTRO	35V 10UF M	1	
	C207	CK73GB1A105K	CHIP C	10V 1.0UF K	1	
	C208	CK73GB1A105K	CHIP C	10V 1.0UF K	1	
	C231	CD04AS1V100M	ELECTRO	35V 10UF M	1	
	C232	CD04AS1V100M	ELECTRO	35V 10UF M	1	
	C233	CD04AS1V100M	ELECTRO	35V 10UF M	1	
	C234	CD04AS1V100M	ELECTRO	35V 10UF M	1	
	C235	CD04AS1V100M	ELECTRO	35V 10UF M	1	
	C236	CD04AS1V100M	ELECTRO	35V 10UF M	1	
	C251	CK73GB1A105K	CHIP C	10V 1.0UF K	1	
	C252	CK73GB1A105K	CHIP C	10V 1.0UF K	1	
	C255	CK73GB1A105K	CHIP C	10V 1.0UF K	1	
	C256	CD04AS1C470M	ELECTRO	16V 47UF M	1	
	C258	CD04AS1H010M	ELECTRO	50V 1.0UF M	1	
	C361	CC73GCH1H470J	CHIP C	50V 47PF J	1	
	C362	CC73GCH1H470J	CHIP C	50V 47PF J	1	
	C363	CC73GCH1H470J	CHIP C	50V 47PF J	1	
	C364	CC73GCH1H470J	CHIP C	50V 47PF J	1	
	C365	CK73GB1H102K	CHIP C	50V 1000PF K	1	
	C366	CK73GB1H102K	CHIP C	50V 1000PF K	1	
	C367	CK73GB1H103K	CHIP C	50V 0.01UF K	1	
	C396	CC73GCH1H020C	CHIP C	50V 2PF C	1	
	C401	C90-6990-05	ELECTRO	10V 220UF M	1	
	C402	CK73GB1H104K	CHIP C	50V 0.1UF K	1	
	C404	CK73GB1H104K	CHIP C	50V 0.1UF K	1	
	C416	CK73GB1A105K	CHIP C	10V 1.0UF K	1	
	C417	CK73GB1H222K	CHIP C	50V 2200PF K	1	
	C419	CK73GB1A105K	CHIP C	10V 1.0UF K	1	
	C420	CK73GB1H222K	CHIP C	50V 2200PF K	1	
	C423	CK73FB0J226M	CHIP C	22U M	1	
	C424	CK73GB0J225K	CHIP C	6.3V 2.2UF K	1	
	C436	CC73GCH1H020C	CHIP C	50V 2PF C	1	
	C461	CK73GB1A105K	CHIP C	10V 1.0UF K	1	
	C462	CK73GB1A105K	CHIP C	10V 1.0UF K	1	
	C463	CD04AS0J470M	ELECTRO	6.3V 47UF M	1	
	C511	CK73GB1H102K	CHIP C	50V 1000PF K	1	
	C512	CK73GB1H102K	CHIP C	50V 1000PF K	1	
	C513	CK73GB1H104K	CHIP C	50V 0.1UF K	1	
	C514	CK73GB1H104K	CHIP C	50V 0.1UF K	1	
	C515	CD04AS0J470M	ELECTRO	6.3V 47UF M	1	
	C516	CK73GB1H103K	CHIP C	50V 0.01UF K	1	
	C701	CD04AS1H4R7M	ELECTRO	50V 4.7UF M	1	
	C702	CD04AS1H4R7M	ELECTRO	50V 4.7UF M	1	
	C705	CD04AS1C101M	ELECTRO	16V 100UF M	1	
	C706	CC73GCH1H030C	CHIP C	50V 3PF C	1	
	C707	CK73GB1A474K	CHIP C	10V 0.47UF K	1	
	C708	CK73GB1H104K	CHIP C	50V 0.1UF K	1	
	C801	CK73GB1H104K	CHIP C	50V 0.1UF K	1	
	C802	CK73GB1H104K	CHIP C	50V 0.1UF K	1	
	C803	CK73GB1H104K	CHIP C	50V 0.1UF K	1	
	C804	CK73GB1H104K	CHIP C	50V 0.1UF K	1	
	C805	CK73GB1H104K	CHIP C	50V 0.1UF K	1	
	C806	CK73GB1H104K	CHIP C	50V 0.1UF K	1	
	C807	CK73GB1H104K	CHIP C	50V 0.1UF K	1	
	C808	CK73GB1H104K	CHIP C	50V 0.1UF K	1	
	C809	CK73GB1H104K	CHIP C	50V 0.1UF K	1	
	C810	CK73GB1H104K	CHIP C	50V 0.1UF K	1	
	C813	CK73GB1H104K	CHIP C	50V 0.1UF K	1	
	C814	CK73GB1H104K	CHIP C	50V 0.1UF K	1	
	C815	CK73GB1H104K	CHIP C	50V 0.1UF K	1	
	C816	CK73GB1H104K	CHIP C	50V 0.1UF K	1	

MODEL	MARK	MODEL	MARK
KDC-BT755HD	K1	KDC-X797	K0

Safe	Symbol No.	Parts No.	Parts Name	Description	QTY	Local
	C817	CK73GB1H104K	CHIP C	50V 0.1UF K	1	
	C818	CK73GB1H104K	CHIP C	50V 0.1UF K	1	
	C819	CK73GB1H104K	CHIP C	50V 0.1UF K	1	
	C820	CK73GB1H104K	CHIP C	50V 0.1UF K	1	
	C821	CK73GB1H104K	CHIP C	50V 0.1UF K	1	
	C822	CK73GB1H104K	CHIP C	50V 0.1UF K	1	
	C823	CK73GB1H104K	CHIP C	50V 0.1UF K	1	
	C824	CK73GB1H104K	CHIP C	50V 0.1UF K	1	
	C827	CK73GB1H104K	CHIP C	50V 0.1UF K	1	
	C831	CC73HCH1H150J	CHIP C	50V 15PF J	1	
	C832	CC73HCH1H150J	CHIP C	50V 15PF J	1	
	C836	CK73HB1H682K	CHIP C	50V 6800PF K	1	
	C837	CK73GB1H104K	CHIP C	50V 0.1UF K	1	
	C851	CK73GB1H104K	CHIP C	50V 0.1UF K	1	
	C904	CK73GB1H102K	CHIP C	50V 1000PF K	1	
	C906	CD04BR1C221M	ELECTRO	16V 220UF M	1	
	C907	CK73GB0J106M	CHIP C	6.3V 10UF M	1	
	R1	RK73HH1J623D	CHIP R	62K D 1/16W	1	
	R2	RK73HH1J752D	CHIP R	7.5K D 1/16W	1	
	R3	RK73HH1J472D	CHIP R	4.7K D 1/16W	1	
	R4	RK73HH1J273D	CHIP R	27K D 1/16W	1	
	R5	RK73HB1J472J	CHIP R	4.7K J 1/16W	1	
	R6	RK73HB1J103J	CHIP R	10K J 1/16W	1	
	R7	RK73HB1J472J	CHIP R	4.7K J 1/16W	1	
	R8	RK73HB1J103J	CHIP R	10K J 1/16W	1	
	R51	RK73GB2A222J	CHIP R	2.2K J 1/10W	1	
	R52	RK73GH2A164D	CHIP R	160K D 1/10W	1	
	R53	RK73GH2A333D	CHIP R	33K D 1/10W	1	
	R61	RK73GB2A822J	CHIP R	8.2K J 1/10W	1	
	R62	RK73GH2A513D	CHIP R	51K D 1/10W	1	
	R63	RK73GH2A223D	CHIP R	22K D 1/10W	1	
	R71	RK73GB2A104J	CHIP R	100K J 1/10W	1	
	R72	RK73GB2A102J	CHIP R	1.0K J 1/10W	1	
	R73	RK73GH2A223D	CHIP R	22K D 1/10W	1	
	R111	RK73GH2A562D	CHIP R	5.6K D 1/10W	1	K0
	R112	RK73HH1J432D	CHIP R	4.3K D 1/16W	1	K0
	R113	RK73GB2A561J	CHIP R	560 J 1/10W	1	K0
	R114	RK73GB2A4R7J	CHIP R	4.7 J 1/10W	1	K0
	R116	RK73GB2A152J	CHIP R	1.5K J 1/10W	1	K0
	R118	RK73GB2A103J	CHIP R	10K J 1/10W	1	K0
	R120	RK73EB2E4R7J	CHIP R	4.7 J 1/4W	1	K0
	R121	RK73EB2E2R2J	CHIP R	2.2 J 1/4W	1	K0
	R122	RK73GB2A221J	CHIP R	220 J 1/10W	1	K0
	R123	RK73GB2A911J	CHIP R	910 J 1/10W	1	K0
	R131	RK73GB2A473J	CHIP R	47K J 1/10W	1	
	R132	RK73GB2A104J	CHIP R	100K J 1/10W	1	
	R133	RK73GB2A103J	CHIP R	10K J 1/10W	1	
	R134	RK73FB2B683J	CHIP R	68K J 1/8W	1	
	R135	RK73FB2B203J	CHIP R	20K J 1/8W	1	
	R136	RK73GB2A103J	CHIP R	10K J 1/10W	1	
	R138	RK73EB2E102J	CHIP R	1.0K J 1/4W	1	
	R139	RK73EB2E102J	CHIP R	1.0K J 1/4W	1	
	R140	RK73EB2E102J	CHIP R	1.0K J 1/4W	1	
	R141	RK73GB2A103J	CHIP R	10K J 1/10W	1	
	R142	RK73GB2A103J	CHIP R	10K J 1/10W	1	
	R143	RK73EB2E333J	CHIP R	33K J 1/4W	1	
	R144	RK73HB1J223J	CHIP R	22K J 1/16W	1	
	R146	RK73EB2E471J	CHIP R	470 J 1/4W	1	
	R147	RK73GB2A123J	CHIP R	12K J 1/10W	1	
	R148	RK73GB2A683J	CHIP R	68K J 1/10W	1	
	R151	RK73GB2A103J	CHIP R	10K J 1/10W	1	
	R153	RK73FB2B472J	CHIP R	4.7K J 1/8W	1	
	R159	RK73GB2A363J	CHIP R	36K J 1/10W	1	
	R160	RK73GB2A104J	CHIP R	100K J 1/10W	1	
	R171	RK73GH2A562D	CHIP R	5.6K D 1/10W	1	
	R172	RK73GH2A3322D	CHIP R	33.2K D 1/10W	1	
	R181	RK73FB2B2R2J	CHIP R	2.2 J 1/8W	1	
	R201	RK73HB1J473J	CHIP R	47K J 1/16W	1	
	R203	RK73GB2A182J	CHIP R	1.8K J 1/10W	1	
	R204	RK73HB1J6R8J	CHIP R	6.8 J 1/16W	1	
	R205	RK73HB1J473J	CHIP R	47K J 1/16W	1	
	R206	RK73HB1J331J	CHIP R	330 J 1/16W	1	
	R207	RK73GB2A123J	CHIP R	12K J 1/10W	1	
	R231	RK73GB2A331J	CHIP R	330 J 1/10W	1	
	R232	RK73GB2A331J	CHIP R	330 J 1/10W	1	
	R233	RK73GB2A223J	CHIP R	22K J 1/10W	1	
	R234	RK73GB2A223J	CHIP R	22K J 1/10W	1	
	R235	RK73FB2B181J	CHIP R	180 J 1/8W	1	
	R236	RK73FB2B181J	CHIP R	180 J 1/8W	1	
	R237	RK73GB2A331J	CHIP R	330 J 1/10W	1	
	R238	RK73GB2A331J	CHIP R	330 J 1/10W	1	
	R239	RK73GB2A223J	CHIP R	22K J 1/10W	1	
	R240	RK73GB2A223J	CHIP R	22K J 1/10W	1	
	R241	RK73FB2B181J	CHIP R	180 J 1/8W	1	
	R242	RK73FB2B181J	CHIP R	180 J 1/8W	1	
	R243	RK73GB2A331J	CHIP R	330 J 1/10W	1	
	R244	RK73GB2A331J	CHIP R	330 J 1/10W	1	
	R245	RK73GB2A223J	CHIP R	22K J 1/10W	1	
	R246	RK73GB2A223J	CHIP R	22K J 1/10W	1	
	R247	RK73FB2B181J	CHIP R	180 J 1/8W	1	
	R248	RK73FB2B181J	CHIP R	180 J 1/8W	1	
	R251	RK73HB1J472J	CHIP R	4.7K J 1/16W	1	
	R252	RK73HB1J103J	CHIP R	10K J 1/16W	1	
	R263	RK73HB1J000J	CHIP R	0.0 J 1/16W	1	K1

MODEL	MARK	MODEL	MARK
KDC-BT755HD	K1	KDC-X797	K0

Safe	Symbol No.	Parts No.	Parts Name	Description	QTY	Local
	R361	RK73GB2A101J	CHIP R	100 J 1/10W	1	
	R362	RK73GB2A101J	CHIP R	100 J 1/10W	1	
	R363	RK73GB2A101J	CHIP R	100 J 1/10W	1	
	R364	RK73GB2A101J	CHIP R	100 J 1/10W	1	
	R371	RK73HB1J101J	CHIP R	100 J 1/16W	1	
	R372	RK73HB1J101J	CHIP R	100 J 1/16W	1	
	R373	RK73HB1J101J	CHIP R	100 J 1/16W	1	
	R374	RK73HB1J101J	CHIP R	100 J 1/16W	1	
	R396	RK73GB2A300J	CHIP R	30 J 1/10W	1	
	R401	RK73EB2E101J	CHIP R	100 J 1/4W	1	
	R403	RK73GB2A473J	CHIP R	47K J 1/10W	1	
	R405	RK73GB2A473J	CHIP R	47K J 1/10W	1	
	R406	RK73GB2A122J	CHIP R	1.2K J 1/10W	1	
	R407	RK73GB2A122J	CHIP R	1.2K J 1/10W	1	
	R411	RK73GB2A220J	CHIP R	22 J 1/10W	1	
	R412	RK73GB2A222J	CHIP R	2.2K J 1/10W	1	
	R425	RK73GB2A471J	CHIP R	470 J 1/10W	1	
	R426	RK73GB2A471J	CHIP R	470 J 1/10W	1	
	R428	RK73GB2A472J	CHIP R	4.7K J 1/10W	1	
	R430	RK73GB2A472J	CHIP R	4.7K J 1/10W	1	
	R434	RK73GB2A471J	CHIP R	470 J 1/10W	1	
	R436	RK73GB2A300J	CHIP R	30 J 1/10W	1	
	R461	RK73GB2A103J	CHIP R	10K J 1/10W	1	
	R462	RK73GB2A103J	CHIP R	10K J 1/10W	1	
	R463	RK73EB2E100J	CHIP R	10 J 1/4W	1	
	R464	RK73EB2E100J	CHIP R	10 J 1/4W	1	
	R465	RK73EB2E4R7J	CHIP R	4.7 J 1/4W	1	
	R467	RK73EB2E221J	CHIP R	220 J 1/4W	1	
	R469	RK73EB2E221J	CHIP R	220 J 1/4W	1	
	R470	RK73EB2E221J	CHIP R	220 J 1/4W	1	
	R471	RK73GB2A473J	CHIP R	47K J 1/10W	1	
	R475	RK73GB2A221J	CHIP R	220 J 1/10W	1	
	R476	RK73GB2A221J	CHIP R	220 J 1/10W	1	
	R477	RK73GB2A221J	CHIP R	220 J 1/10W	1	
	R511	RK73EB2E100J	CHIP R	10 J 1/4W	1	
	R512	RK73EB2E100J	CHIP R	10 J 1/4W	1	
	R513	RK73GB2A103J	CHIP R	10K J 1/10W	1	
	R514	RK73GB2A103J	CHIP R	10K J 1/10W	1	
	R515	RK73EB2E4R7J	CHIP R	4.7 J 1/4W	1	
	R516	RK73GB2A102J	CHIP R	1.0K J 1/10W	1	
	R521	RK73GB2A100J	CHIP R	10 J 1/10W	1	
	R522	RK73GB2A100J	CHIP R	10 J 1/10W	1	
	R523	RK73GB2A153J	CHIP R	15K J 1/10W	1	
	R524	RK73GB2A153J	CHIP R	15K J 1/10W	1	
	R701	RK73GB2A101J	CHIP R	100 J 1/10W	1	
	R702	RK73HB1J101J	CHIP R	100 J 1/16W	1	
	R703	RK73HB1J101J	CHIP R	100 J 1/16W	1	
	R704	RK73HB1J101J	CHIP R	100 J 1/16W	1	
	R705	RK73HB1J101J	CHIP R	100 J 1/16W	1	
	R706	RK73GB2A101J	CHIP R	100 J 1/10W	1	
	R707	RK73HB1J101J	CHIP R	100 J 1/16W	1	
	R708	RK73HB1J101J	CHIP R	100 J 1/16W	1	
	R709	RK73HB1J101J	CHIP R	100 J 1/16W	1	
	R710	RK73GB2A101J	CHIP R	100 J 1/10W	1	
	R711	RK73HB1J101J	CHIP R	100 J 1/16W	1	
	R712	RK73HB1J101J	CHIP R	100 J 1/16W	1	
	R713	RK73GB2A101J	CHIP R	100 J 1/10W	1	
	R714	RK73HB1J102J	CHIP R	1.0K J 1/16W	1	
	R715	RK73HB1J101J	CHIP R	100 J 1/16W	1	
	R716	RK73HB1J102J	CHIP R	1.0K J 1/16W	1	
	R717	RK73GB2A473J	CHIP R	47K J 1/10W	1	
	R718	RK73GB2A473J	CHIP R	47K J 1/10W	1	
	R719	RK73GB2A222J	CHIP R	2.2K J 1/10W	1	
	R720	RK73GB2A222J	CHIP R	2.2K J 1/10W	1	
	R721	RK73GB2A222J	CHIP R	2.2K J 1/10W	1	
	R722	RK73GB2A100J	CHIP R	10 J 1/10W	1	
	R725	RK73GB2A223J	CHIP R	22K J 1/10W	1	
	R726	RK73GB2A471J	CHIP R	470 J 1/10W	1	
	R727	RK73GB2A103J	CHIP R	10K J 1/10W	1	
	R728	RK73GB2A223J	CHIP R	22K J 1/10W	1	
	R801	RK73GB2A473J	CHIP R	47K J 1/10W	1	
	R802	RK73GB2A473J	CHIP R	47K J 1/10W	1	K1
	R805	RK73HB1J473J	CHIP R	47K J 1/16W	1	K0
	R806	RK73HB1J473J	CHIP R	47K J 1/16W	1	
	R808	RK73GB2A101J	CHIP R	100 J 1/10W	1	
	R809	RK73GB2A101J	CHIP R	100 J 1/10W	1	
	R810	RK73GB2A473J	CHIP R	47K J 1/10W	1	
	R811	RK73GB2A473J	CHIP R	47K J 1/10W	1	
	R812	RK73HB1J104J	CHIP R	100K J 1/16W	1	
	R814	RK73GB2A104J	CHIP R	100K J 1/10W	1	
	R815	RK73GB2A104J	CHIP R	100K J 1/10W	1	
	R816	RK73GB2A104J	CHIP R	100K J 1/10W	1	
	R821	RK73HB1J473J	CHIP R	47K J 1/16W	1	
	R825	RK73HB1J473J	CHIP R	47K J 1/16W	1	
	R826	RK73HB1J104J	CHIP R	100K J 1/16W	1	
	R827	RK73HB1J101J	CHIP R	100 J 1/16W	1	
	R828	RK73HB1J101J	CHIP R	100 J 1/16W	1	
	R829	RK73GB2A473J	CHIP R	47K J 1/10W	1	
	R831	RK73HB1J332J	CHIP R	3.3K J 1/16W	1	
	R832	RK73HB1J105J	CHIP R	1.0M J 1/16W	1	
	R835	RK73HB1J473J	CHIP R	47K J 1/16W	1	
	R836	RK73EB2E102J	CHIP R	1.0K J 1/4W	1	
	R841	RK73HB1J332J	CHIP R	3.3K J 1/16W	1	
	R842	RK73GB2A332J	CHIP R	3.3K J 1/10W	1	
	R851	RK73HB1J332J	CHIP R	3.3K J 1/16W	1	

MODEL	MARK	MODEL	MARK
KDC-BT755HD	K1	KDC-X797	K0

Safe	Symbol No.	Parts No.	Parts Name	Description	QTY	Local
	R852	RK73GB2A332J	CHIP R	3.3K J 1/10W	1	
	R901	RK73EB2E102J	CHIP R	1.0K J 1/4W	1	
	R902	RK73EB2E102J	CHIP R	1.0K J 1/4W	1	
	R903	RK73EB2E102J	CHIP R	1.0K J 1/4W	1	
	R904	RK73EB2E222J	CHIP R	2.2K J 1/4W	1	
	R905	RK73EB2E102J	CHIP R	1.0K J 1/4W	1	
	R906	RK73EB2E102J	CHIP R	1.0K J 1/4W	1	
	R907	RK73EB2E101J	CHIP R	100 J 1/4W	1	
	R908	RK73EB2E222J	CHIP R	2.2K J 1/4W	1	
	R909	RK73EB2E102J	CHIP R	1.0K J 1/4W	1	
	R910	RK73EB2E101J	CHIP R	100 J 1/4W	1	
	R911	R92-5299-05	METAL R	10 J 3/4W	1	
	R914	RK73HB1J222J	CHIP R	2.2K J 1/16W	1	
	R915	RK73HB1J222J	CHIP R	2.2K J 1/16W	1	
	R916	RK73HB1J225J	CHIP R	2.2M J 1/16W	1	
	R917	RK73GB2A104J	CHIP R	100K J 1/10W	1	
	R918	RK73GB2A332J	CHIP R	3.3K J 1/10W	1	
	R919	RK73GB2A332J	CHIP R	3.3K J 1/10W	1	
	R920	RK73HB1J104J	CHIP R	100K J 1/16W	1	
	R921	RK73HB1J222J	CHIP R	2.2K J 1/16W	1	
	R922	RK73HB1J473J	CHIP R	47K J 1/16W	1	
	R924	RK73HB1J103J	CHIP R	10K J 1/16W	1	
	R925	RK73EB2E102J	CHIP R	1.0K J 1/4W	1	
	R926	RK73HB1J103J	CHIP R	10K J 1/16W	1	
	R927	RK73HB1J103J	CHIP R	10K J 1/16W	1	
	R928	RK73GB2A272J	CHIP R	2.7K J 1/10W	1	
	R951	RK73GB2A332J	CHIP R	3.3K J 1/10W	1	
	R952	RK73GB2A332J	CHIP R	3.3K J 1/10W	1	
	R953	RK73GB2A332J	CHIP R	3.3K J 1/10W	1	
	R954	RK73GB2A332J	CHIP R	3.3K J 1/10W	1	
	L52	L33-3212-15	CHOKO COIL		1	
	L61	L92-0374-05	CHIP FERRITE		1	
	L62	QQLA1AM-220	COIL	22uH M	1	
	L131	QQR1909-001	CHOKO COIL		1	
	L380	L92-0639-05	CHIP FERRITE		1	
	L381	L92-0639-05	CHIP FERRITE		1	
	L401	L92-0652-05	CHIP FERRITE		1	
	L521	L92-1009-05	CHIP FERRITE		1	
	L903	L92-0615-05	CHIP FERRITE		1	
	A301	X86-4320-11	TUNER UNIT		1	
	CN401	E41-1699-05	PIN ASSY		1	
	CN701	QGF1030F3-26X	CONNECTOR	FFC/FPC (1-26)	1	
	CP821	RK74GB1J101J	CHIP-COM	100 J 1/16W	1	
△	J131	E58-0991-05	RECTANGULAR RECEPTACLE		1	
	J231	QNN0866-001	PIN JACK		1	
	J461	QNZ0907-001	CIR CONNECTOR		1	
	J901	E58-1124-05	RECTANGULAR RECEPTACLE		1	
	S831	S70-0959-05	TACT SWITCH		1	
	TH201	NAD0052-471X	P THERMISTOR	470Ω	1	
	W301	E30-8318-05	CORD WITH PLUG		1	
	X831	L77-3846-05	CRYSTAL RESONATOR (12MHZ)		1	
SWITCH UNIT (X16-7480-10) <X16>						
	IC601	PCA9624PW-X	IC		1	
	IC602	KSM-2003TN5B	IR SENSOR		1	
	Q601	LTA014EUBFS8	DIGI TRANSISTOR		1	
	Q602	LTA014EUBFS8	DIGI TRANSISTOR		1	
	Q603	LTA014EUBFS8	DIGI TRANSISTOR		1	
	D601	RKZ5.1KG(B2)	Z DIODE		1	
	D602	RKZ5.1KG(B2)	Z DIODE		1	
	D603	RKZ5.1KG(B2)	Z DIODE		1	
	D604	RKZ5.1KG(B2)	Z DIODE		1	
	D605	RKZ5.1KG(B2)	Z DIODE		1	
	D606	RKZ5.1KG(B2)	Z DIODE		1	
	D607	RKZ5.1KG(B2)	Z DIODE		1	
	D608	RKZ5.1KG(B2)	Z DIODE		1	
	D609	RKZ5.1KG(B2)	Z DIODE		1	
	D610	RKZ5.1KG(B2)	Z DIODE		1	
	D630	RKZ6.2KG(B2)	Z DIODE		1	
	D631	RKZ6.2KG(B2)	Z DIODE		1	
	D632	RKZ6.2KG(B2)	Z DIODE		1	
	D633	RKZ6.2KG(B2)	Z DIODE		1	
	D650	LRTBR98G-X	LED		1	
	D651	LRTBR98G-X	LED		1	
	D652	LRTBR98G-X	LED		1	
	D653	LRTBR98G-X	LED		1	
	D654	LRTBR98G-X	LED		1	
	D655	LRTBR98G-X	LED		1	
	D656	LRTBR98G-X	LED		1	
	D657	LRTBR98G-X	LED		1	
	D658	LRTBR98G-X	LED		1	
	D660	LRTBR98G-X	LED		1	
	D661	LRTBR98G-X	LED		1	
	D662	B30-1779-05	LED		1	
	D663	B30-1567-05	LED		1	
	D664	LRTBR98G-X	LED		1	
	C611	CK73GB1H102K	CHIP C	50V 1000PF K	1	
	C612	CK73GB1H471K	CHIP C	50V 470PF K	1	
	C614	CK73GB1H471K	CHIP C	50V 470PF K	1	
	C615	CK73GB1H102K	CHIP C	50V 1000PF K	1	
	C616	CK73GB0J106M	CHIP C	10UF 6.3V.M	1	
	C617	CK73GB1H104K	CHIP C	50V 0.1UF K	1	

MODEL	MARK	MODEL	MARK
KDC-BT755HD	K1	KDC-X797	K0

Safe	Symbol No.	Parts No.	Parts Name	Description	QTY	Local
	C618	CK73GB0J106M	CHIP C	10UF 6.3V,M	1	
	C631	CC73GCH1H270J	CHIP C	50V 27PF J	1	
	C632	CC73GCH1H270J	CHIP C	50V 27PF J	1	
	C641	CK73GB1H104K	CHIP C	50V 0.1UF K	1	
	C642	CK73GB1C105K	CHIP C	16V 1.0UF K	1	
	C643	CK73GB1A105K	CHIP C	10V 1.0UF K	1	
	C644	CK73GB1H104K	CHIP C	50V 0.1UF K	1	
	C690	CK73GB1H103K	CHIP C	50V 0.01UF K	1	
	C699	CK73FB0J106K	CHIP C	6.3V 10UF K	1	
	R611	RK73GB2A101J	CHIP R	100 J 1/10W	1	
	R612	RK73GB2A101J	CHIP R	100 J 1/10W	1	
	R613	RK73GB2A000J	CHIP R	0.0 J 1/10W	1	
	R615	RK73GB2A101J	CHIP R	100 J 1/10W	1	
	R616	RK73GB2A101J	CHIP R	100 J 1/10W	1	
	R617	RK73GB2A473J	CHIP R	47K J 1/10W	1	
	R618	RK73GB2A101J	CHIP R	100 J 1/10W	1	
	R619	RK73GB2A101J	CHIP R	100 J 1/10W	1	
	R620	RK73GB2A101J	CHIP R	100 J 1/10W	1	
	R622	RK73GB2A101J	CHIP R	100 J 1/10W	1	
	R623	RK73GB2A101J	CHIP R	100 J 1/10W	1	
	R624	RK73GB2A104J	CHIP R	100K J 1/10W	1	
	R625	RK73GB2A4R7J	CHIP R	4.7 J 1/10W	1	
	R626	RK73GB2A473J	CHIP R	47K J 1/10W	1	
	R627	RK73GB2A473J	CHIP R	47K J 1/10W	1	
	R628	RK73GB2A473J	CHIP R	47K J 1/10W	1	
	R630	RK73PB2H4R3J	CHIP R	4.3 J 1/2W	1	
	R637	RK73GB2A000J	CHIP R	0.0 J 1/10W	1	
	R645	RK73GB2A101J	CHIP R	100 J 1/10W	1	
	R646	RK73GB2A101J	CHIP R	100 J 1/10W	1	
	R647	RK73GB2A101J	CHIP R	100 J 1/10W	1	
	R648	RK73EB2E472J	CHIP R	4.7K J 1/4W	1	
	R651	RK73EB2E911J	CHIP R	910 J 1/4W	1	
	R652	RK73FB2B122J	CHIP R	1.2K J 1/8W	1	
	R653	RK73FB2B122J	CHIP R	1.2K J 1/8W	1	
	R654	RK73GB2A220J	CHIP R	22 J 1/10W	1	
	R655	RK73GB2A220J	CHIP R	22 J 1/10W	1	
	R657	RK73EB2E911J	CHIP R	910 J 1/4W	1	
	R658	RK73EB2E122J	CHIP R	1.2K J 1/4W	1	
	R659	RK73FB2B122J	CHIP R	1.2K J 1/8W	1	
	R660	RK73EB2E911J	CHIP R	910 J 1/4W	1	
	R661	RK73FB2B911J	CHIP R	910 J 1/8W	1	
	R662	RK73FB2B911J	CHIP R	910 J 1/8W	1	
	R663	RK73EB2E681J	CHIP R	680 J 1/4W	1	
	R664	RK73FB2B681J	CHIP R	680 J 1/8W	1	
	R665	RK73FB2B681J	CHIP R	680 J 1/8W	1	
	R666	RK73EB2E681J	CHIP R	680 J 1/4W	1	
	R667	RK73FB2B681J	CHIP R	680 J 1/8W	1	
	R668	RK73FB2B681J	CHIP R	680 J 1/8W	1	
	R669	RK73EB2E751J	CHIP R	750 J 1/4W	1	
	R670	RK73FB2B751J	CHIP R	750 J 1/8W	1	
	R671	RK73FB2B751J	CHIP R	750 J 1/8W	1	
	R675	RK73FB2B152J	CHIP R	1.5K J 1/8W	1	
	R678	RK73EB2E182J	CHIP R	1.8K J 1/4W	1	
	R681	RK73GB2A101J	CHIP R	100 J 1/10W	1	
	R682	RK73GB2A101J	CHIP R	100 J 1/10W	1	
	R693	RK73EB2E911J	CHIP R	910 J 1/4W	1	
	R694	RK73FB2B911J	CHIP R	910 J 1/8W	1	
	R695	RK73FB2B911J	CHIP R	910 J 1/8W	1	
	R697	RK73GB2A000J	CHIP R	0.0 J 1/10W	1	
	R699	RK73GB2A000J	CHIP R	0.0 J 1/10W	1	
	L641	L92-0339-05	CHIP FERRITE		1	
	L651	L41-4792-67	SMALL FIXED INDUCTOR		1	
	ED601	QLF0207-001	FL TUBE		1	
	J601	QGZ1102K3-20X	CONNECTOR	(1-20)	1	
	J602	QNS0308-001	3.5 JACK		1	
	J603	QNZ1076-001	USB CONNECTOR		1	
	S600	QSW1288-001	ROTARY ENCODER		1	
	S601	NSW0246-001X	TACT SWITCH		1	
	S602	NSW0246-001X	TACT SWITCH		1	
	S603	NSW0246-001X	TACT SWITCH		1	
	S604	NSW0246-001X	TACT SWITCH		1	
	S605	NSW0246-001X	TACT SWITCH		1	
	S606	NSW0246-001X	TACT SWITCH		1	
	S607	NSW0246-001X	TACT SWITCH		1	
	S608	NSW0246-001X	TACT SWITCH		1	
	S609	NSW0246-001X	TACT SWITCH		1	
	S610	NSW0246-001X	TACT SWITCH		1	
	S611	NSW0246-001X	TACT SWITCH		1	
	S612	NSW0246-001X	TACT SWITCH		1	
	S613	NSW0246-001X	TACT SWITCH		1	
	S614	NSW0246-001X	TACT SWITCH		1	
BLUETOOTH UNIT (X17-2220-10) <X17>						
	IC2	AK4387ET	MOS-IC		1	
	IC3	BU18TD3WG	IC(ANALOGUE)		1	
	IC4	BA4560RFV	IC(ANALOGUE)		1	
	IC5	TCC860000XEAU	MOS-IC		1	
	IC6	E29LV32BT73F8	ROM IC		1	
	IC7	EM639165TS6IG	DRAM IC		1	
	C1	CC73HCH1H331J	CHIP C	50V 330PF J	1	
	C2	CK73GB1A105K	CHIP C	10V 1.0UF K	1	
	C5	CK73HB1H102K	CHIP C	50V 1000PF K	1	

MODEL	MARK	MODEL	MARK
KDC-BT755HD	K1	KDC-X797	K0

Safe	Symbol No.	Parts No.	Parts Name	Description	QTY	Local
C6		CK73HB0J105K	CHIP C	6.3V 1.0UF K	1	
C7		CK73HB0J105K	CHIP C	6.3V 1.0UF K	1	
C8		CK73GB0J475K	CHIP C	6.3V 4.7UF K	1	
C9		CK73HB1H471K	C CAPACITOR	50V 470PF K	1	
C10		CK73HB1H471K	C CAPACITOR	50V 470PF K	1	
C11		CC73HCH1H220J	CHIP C	50V 22PF C	1	
C12		CK73GB1A105K	CHIP C	10V 1.0UF K	1	
C13		CK73HB1A104K	CHIP C	10V 0.1UF K	1	
C14		CK73HB1A104K	CHIP C	10V 0.1UF K	1	
C16		CK73HB1C333K	CHIP C	16V 0.033UF K	1	
C17		CK73GB0J475K	CHIP C	6.3V 4.7UF K	1	
C18		CK73FB0J106K	CHIP C	6.3V 10UF K	1	
C19		CK73FB0J106K	CHIP C	6.3V 10UF K	1	
C20		CK73HB1H222K	CHIP C	50V 2200PF K	1	
C21		CK73HB1C333K	CHIP C	16V 0.033UF K	1	
C22		CK73HB1H222K	CHIP C	50V 2200PF K	1	
C23		CK73HB1A104K	CHIP C	10V 0.1UF K	1	
C24		CK73HB1A104K	CHIP C	10V 0.1UF K	1	
C25		CK73HB1A104K	CHIP C	10V 0.1UF K	1	
C26		CK73HB1H122K	CHIP C	50V 1200PF K	1	
C27		CC73HCH1H180J	CHIP C	50V 18PF J	1	
C28		CC73HCH1H331J	CHIP C	50V 330PF J	1	
C29		CK73HB1A104K	CHIP C	10V 0.1UF K	1	
C30		CK73HB1A104K	CHIP C	10V 0.1UF K	1	
C31		CK73HB1A104K	CHIP C	10V 0.1UF K	1	
C32		CK73HB1E103K	CHIP C	25V 0.01UF K	1	
C33		CK73HB0J105K	CHIP C	6.3V 1.0UF K	1	
C34		CK73HB1A104K	CHIP C	10V 0.1UF K	1	
C35		CK73HB1A104K	CHIP C	10V 0.1UF K	1	
C36		CC73HCH1H100D	CHIP C	50V 10PF D	1	
C37		CC73HCH1H100D	CHIP C	50V 10PF D	1	
C38		CK73HB1A104K	CHIP C	10V 0.1UF K	1	
C39		CK73HB1A104K	CHIP C	10V 0.1UF K	1	
C40		CK73HB1A104K	CHIP C	10V 0.1UF K	1	
C41		CK73HB1A104K	CHIP C	10V 0.1UF K	1	
C42		CK73HB1A104K	CHIP C	10V 0.1UF K	1	
C43		CK73HB1A104K	CHIP C	10V 0.1UF K	1	
C44		CK73HB1A104K	CHIP C	10V 0.1UF K	1	
C45		CK73HB1A104K	CHIP C	10V 0.1UF K	1	
C46		CK73HB1A104K	CHIP C	10V 0.1UF K	1	
C47		CK73HB1A104K	CHIP C	10V 0.1UF K	1	
C48		CK73HB1A104K	CHIP C	10V 0.1UF K	1	
C49		CK73GB0J475K	CHIP C	6.3V 4.7UF K	1	
C50		CK73HB1A104K	CHIP C	10V 0.1UF K	1	
C51		CK73FB0J106K	CHIP C	6.3V 10UF K	1	
C52		CK73HB1A104K	CHIP C	10V 0.1UF K	1	
C53		CK73HB1A104K	CHIP C	10V 0.1UF K	1	
C54		CK73HB1A104K	CHIP C	10V 0.1UF K	1	
C55		CK73HB1A104K	CHIP C	10V 0.1UF K	1	
C56		CK73HB1A104K	CHIP C	10V 0.1UF K	1	
C57		CK73HB1A104K	CHIP C	10V 0.1UF K	1	
C58		CK73HB1A104K	CHIP C	10V 0.1UF K	1	
R1		RK73HB1J000J	CHIP R	0.0 J 1/16W	1	
R2		RK73HB1J000J	CHIP R	0.0 J 1/16W	1	
R3		RK73HB1J000J	CHIP R	0.0 J 1/16W	1	
R5		RK73HB1J000J	CHIP R	0.0 J 1/16W	1	
R6		RK73HB1J103J	CHIP R	10K J 1/16W	1	
R7		RK73HB1J103J	CHIP R	10K J 1/16W	1	
R9		RK73HB1J470J	CHIP R	47 J 1/16W	1	
R10		RK73HB1J470J	CHIP R	47 J 1/16W	1	
R11		RK73HB1J470J	CHIP R	47 J 1/16W	1	
R12		RK73HB1J470J	CHIP R	47 J 1/16W	1	
R14		RK73HB1J122J	CHIP R	1.2K J 1/16W	1	
R15		RK73HB1J122J	CHIP R	1.2K J 1/16W	1	
R16		RK73HB1J124J	CHIP R	120K J 1/16W	1	
R17		RK73HB1J124J	CHIP R	120K J 1/16W	1	
R18		RK73HB1J333J	CHIP R	33K J 1/16W	1	
R19		RK73HB1J471J	CHIP R	470 J 1/16W	1	
R20		RK73HB1J103J	CHIP R	10K J 1/16W	1	
R21		RK73HB1J822J	CHIP R	8.2K J 1/16W	1	
R22		RK73HB1J471J	CHIP R	470 J 1/16W	1	
R23		RK73HB1J103J	CHIP R	10K J 1/16W	1	
R24		RK73HB1J472J	CHIP R	4.7K J 1/16W	1	
R25		RK73HB1J153J	CHIP R	15K J 1/16W	1	
R26		RK73HB1J153J	CHIP R	15K J 1/16W	1	
R27		RK73HB1J472J	CHIP R	4.7K J 1/16W	1	
R28		RK73HB1J472J	CHIP R	4.7K J 1/16W	1	
R29		RK73HB1J472J	CHIP R	4.7K J 1/16W	1	
R32		RK73GB2A000J	CHIP R	0.0 J 1/10W	1	
R33		RK73GB2A4R7J	CHIP R	4.7 J 1/10W	1	
R34		RK73HB1J000J	CHIP R	0.0 J 1/16W	1	
R35		RK73HB1J153J	CHIP R	15K J 1/16W	1	
R36		RK73HB1J153J	CHIP R	15K J 1/16W	1	
R37		RK73HB1J220J	CHIP R	22 J 1/16W	1	
R38		RK73HB1J220J	CHIP R	22 J 1/16W	1	
R39		RK73HB1J220J	CHIP R	22 J 1/16W	1	
R40		RK73HB1J220J	CHIP R	22 J 1/16W	1	
R41		RK73HB1J470J	CHIP R	47 J 1/16W	1	
R42		RK73HB1J223J	CHIP R	22K J 1/16W	1	
R43		RK73HB1J223J	CHIP R	22K J 1/16W	1	
R44		RK73HB1J330J	CHIP R	33 J 1/16W	1	
R45		RK73HB1J330J	CHIP R	33 J 1/16W	1	

MODEL	MARK	MODEL	MARK
KDC-BT755HD	K1	KDC-X797	K0

Safe	Symbol No.	Parts No.	Parts Name	Description	QTY	Local
R50		RK73HB1J470J	CHIP R	47 J 1/16W	1	
R51		RK73HB1J470J	CHIP R	47 J 1/16W	1	
R52		RK73HB1J472J	CHIP R	4.7K J 1/16W	1	
R53		RK73HB1J472J	CHIP R	4.7K J 1/16W	1	
R54		RK73HB1J472J	CHIP R	4.7K J 1/16W	1	
R55		RK73HB1J472J	CHIP R	4.7K J 1/16W	1	
R56		RK73HB1J472J	CHIP R	4.7K J 1/16W	1	
R58		RK73HB1J470J	CHIP R	47 J 1/16W	1	
R59		RK73HB1J470J	CHIP R	47 J 1/16W	1	
R60		RK73HB1J470J	CHIP R	47 J 1/16W	1	
R61		RK73HB1J223J	CHIP R	22K J 1/16W	1	
R62		RK73HB1J102J	CHIP R	1.0K J 1/16W	1	
R63		RK73HB1J102J	CHIP R	1.0K J 1/16W	1	
R64		RK73HB1J105J	CHIP R	1.0M J 1/16W	1	
R65		RK73HB1J332J	CHIP R	3.3K J 1/16W	1	
R66		RK73HB1J472J	CHIP R	4.7K J 1/16W	1	
R67		RK73HB1J470J	CHIP R	47 J 1/16W	1	
R68		RK73HB1J472J	CHIP R	4.7K J 1/16W	1	
R69		RK73HB1J470J	CHIP R	47 J 1/16W	1	
R70		RK73GB2A000J	CHIP R	0.0 J 1/10W	1	
R71		RK73HB1J470J	CHIP R	47 J 1/16W	1	
R72		RK73GB2A000J	CHIP R	0.0 J 1/10W	1	
R73		RK73GB2A000J	CHIP R	0.0 J 1/10W	1	
R74		RK73HB1J472J	CHIP R	4.7K J 1/16W	1	
R76		RK73HB1J104J	CHIP R	100K J 1/16W	1	
R77		RK73HB1J000J	CHIP R	0.0 J 1/16W	1	
R78		RK73HB1J102J	CHIP R	1.0K J 1/16W	1	
R79		RK73HB1J473J	CHIP R	47K J 1/16W	1	
R80		RK73HB1J473J	CHIP R	47K J 1/16W	1	
R81		RK73HB1J470J	CHIP R	47 J 1/16W	1	
R82		RK73HB1J472J	CHIP R	4.7K J 1/16W	1	
R83		RK73HB1J470J	CHIP R	47 J 1/16W	1	
R87		RK73HB1J000J	CHIP R	0.0 J 1/16W	1	
R88		RK73HB1J000J	CHIP R	0.0 J 1/16W	1	
R89		RK73HB1J104J	CHIP R	100K J 1/16W	1	
R90		RK73HB1J104J	CHIP R	100K J 1/16W	1	
R91		RK73GB2A000J	CHIP R	0.0 J 1/10W	1	
R93		RK73HB1J223J	CHIP R	22K J 1/16W	1	
A1		W02-5568-05	ELECTRIC CIRCUIT MODULE		1	
CN1		E41-3376-05	SOCKET FOR PIN ASSY		1	
X1		L77-3873-05	CRYSTAL	12.000MHZ	1	
CD PLAYER UNIT (X32-6560-00) <X32>						
IC1		JCV8027	INTEGRATED CIRCUIT(MOS-IC)		1	
IC2		BD8222EFV	IC(ANALOGUE)		1	
IC4		XC6213B152N-G	IC(ANALOGUE)		1	
Q1		2SA2188-T1(E)	TRANSISTOR		1	
C1		CK73HB1A104K	CHIP C	10V 0.1UF K	1	
C2		CK73FB0J106K	CHIP C	6.3V 10UF K	1	
C3		CK73HB1A104K	CHIP C	10V 0.1UF K	1	
C4		CK73HB0J105K	CHIP C	6.3V 1.0UF K	1	
C5		CC73HCH1H680J	CHIP C	50V 68PF J	1	
C6		CK73HB1H332K	CHIP C	50V 3300PF K	1	
C7		CK73HB1H222K	CHIP C	50V 2200PF K	1	
C8		CK73HB1A104K	CHIP C	10V 0.1UF K	1	
C9		CK73HB0J105K	CHIP C	6.3V 1.0UF K	1	
C10		CK73HB1E103K	CHIP C	25V 0.01UF K	1	
C11		CK73HB1E153K	CHIP C	25V 0.015UF K	1	
C12		CK73HB1A104K	CHIP C	10V 0.1UF K	1	
C13		CK73HB1E103K	CHIP C	25V 0.01UF K	1	
C14		CK73HB1C333K	CHIP C	16V 0.033UF K	1	
C15		CK73HB1E153K	CHIP C	25V 0.015UF K	1	
C19		CC73HCH1H470J	CHIP C	50V 47PF J	1	
C22		CK73HB1A104K	CHIP C	10V 0.1UF K	1	
C23		CK73HB0J105K	CHIP C	6.3V 1.0UF K	1	
C24		CK73HB1A104K	CHIP C	10V 0.1UF K	1	
C25		CK73HB1A104K	CHIP C	10V 0.1UF K	1	
C26		CK73HB1A104K	CHIP C	10V 0.1UF K	1	
C27		CK73HB1A104K	CHIP C	10V 0.1UF K	1	
C28		CK73HB1H222K	CHIP C	50V 2200PF K	1	
C29		CK73HB1H222K	CHIP C	50V 2200PF K	1	
C30		CK73EB1A106K	CHIP C	10V 10UF K	1	
C31		CK73EB1A106K	CHIP C	10V 10UF K	1	
C37		CK73HB1H472K	CHIP C	50V 4700PF K	1	
C38		CK73HB1A104K	CHIP C	10V 0.1UF K	1	
C40		CK73EB0J226K	CHIP C	6.3V 22UF K	1	
C41		CK73GB0J225K	CHIP C	6.3V 2.2UF K	1	
C44		CK73HB0J105K	CHIP C	6.3V 1.0UF K	1	
C51		CK73HB1A104K	CHIP C	10V 0.1UF K	1	
C52		CC73HCH1H560J	CHIP C	50V 56PF J	1	
C53		CK73HB1H152K	CHIP C	50V 1500PF K	1	
C54		CK73HB1H682K	CHIP C	50V 6800PF K	1	
C55		CK73HB1C333K	CHIP C	16V 0.033UF K	1	
C56		CK73FB1A225K	CHIP C	10V 2.2UF K	1	
C57		CK73HB1H332K	CHIP C	50V 3300PF K	1	
C60		CK73HB1A104K	CHIP C	10V 0.1UF K	1	
C62		CK73HB1A104K	CHIP C	10V 0.1UF K	1	
R1		RK73HB1J472J	CHIP R	4.7K J 1/16W	1	
R2		RK73HB1J104J	CHIP R	100K J 1/16W	1	
R3		RK73FB2B4R7J	CHIP R	4.7 J 1/8W	1	
R4		RK73HB1J225J	CHIP R	2.2M J 1/16W	1	
R5		RK73GB2A000J	CHIP R	0.0 J 1/10W	1	

MODEL		MARK		MODEL		MARK	
KDC-BT755HD		K1		KDC-X797		K0	
Safe	Symbol No.	Parts No.	Parts Name	Description	QTY	Local	
R6		RK73HB1J221J	CHIP R	220 J 1/16W	1		
R7		RK73HB1J000J	CHIP R	0.0 J 1/16W	1		
R8		RK73HB1J153J	CHIP R	15K J 1/16W	1		
R9		RK73HB1J334J	CHIP R	330K J 1/16W	1		
R10		RK73HB1J104J	CHIP R	100K J 1/16W	1		
R11		RK73HB1J103J	CHIP R	10K J 1/16W	1		
R12		RK73HB1J103J	CHIP R	10K J 1/16W	1		
R13		RK73HB1J101J	CHIP R	100 J 1/16W	1		
R14		RK73HB1J105J	CHIP R	1.0M J 1/16W	1		
R15		RK73HB1J681J	CHIP R	680 J 1/16W	1		
R16		RK73HB1J4R7J	CHIP R	4.7 J 1/16W	1		
R17		RK73HB1J4R7J	CHIP R	4.7 J 1/16W	1		
R18		RK73HB1J131J	CHIP R	130 J 1/16W	1		
R23		RK73HB1J000J	CHIP R	0.0 J 1/16W	1		
R24		RK73HB1J000J	CHIP R	0.0 J 1/16W	1		
R25		RK73HB1J000J	CHIP R	0.0 J 1/16W	1		
R26		RK73HB1J000J	CHIP R	0.0 J 1/16W	1		
R27		RK73HB1J000J	CHIP R	0.0 J 1/16W	1		
R34		RK73HB1J113J	CHIP R	11K J 1/16W	1		
R36		RK73HB1J333J	CHIP R	33K J 1/16W	1		
R38		RK73HB1J273J	CHIP R	27K J 1/16W	1		
R42		RK73HB1J363J	CHIP R	36K J 1/16W	1		
R44		RK73HB1J101J	CHIP R	100 J 1/16W	1		
R45		RK73HB1J101J	CHIP R	100 J 1/16W	1		
R46		RK73HB1J101J	CHIP R	100 J 1/16W	1		
R47		RK73HB1J101J	CHIP R	100 J 1/16W	1		
R48		RK73HB1J101J	CHIP R	100 J 1/16W	1		
R49		RK73HB1J101J	CHIP R	100 J 1/16W	1		
R50		RK73HB1J101J	CHIP R	100 J 1/16W	1		
R51		RK73HB1J101J	CHIP R	100 J 1/16W	1		
R52		RK73HB1J000J	CHIP R	0.0 J 1/16W	1		
R60		RK73HB1J202J	CHIP R	2.0K J 1/16W	1		
R61		RK73HB1J682J	CHIP R	6.8K J 1/16W	1		
R62		RK73HB1J101J	CHIP R	100 J 1/16W	1		
R63		RK73HB1J472J	CHIP R	4.7K J 1/16W	1		
R64		RK73HB1J472J	CHIP R	4.7K J 1/16W	1		
R65		RK73HB1J101J	CHIP R	100 J 1/16W	1		
R66		RK73HB1J104J	CHIP R	100K J 1/16W	1		
R69		RK73HB1J332J	CHIP R	3.3K J 1/16W	1		
R71		RK73HB1J332J	CHIP R	3.3K J 1/16W	1		
R72		RK73HB1J332J	CHIP R	3.3K J 1/16W	1		
R76		RK73HB1J331J	CHIP R	330 J 1/16W	1		
R77		RK73HB1J101J	CHIP R	100 J 1/16W	1		
R78		RK73HB1J101J	CHIP R	100 J 1/16W	1		
R79		RK73HB1J000J	CHIP R	0.0 J 1/16W	1		
R80		RK73HB1J000J	CHIP R	0.0 J 1/16W	1		
R81		RK73HB1J000J	CHIP R	0.0 J 1/16W	1		
L2		L92-0330-05	CHIP FERRITE		1		
L3		L92-0330-05	CHIP FERRITE		1		
CN1		E41-3423-05	FLAT CABLE CONNECTOR		1		
CN2		E41-3373-05	FLAT CABLE CONNECTOR		1		
S1		S68-0931-05	PUSH SWITCH		1		
S2		S68-0931-05	PUSH SWITCH		1		
S3		S68-0932-05	PUSH SWITCH		1		
X1		L78-1246-05	RESONATOR	16.934MHZ	1		