

MODEL	MARK	MODEL	MARK	MODEL	MARK	MODEL	MARK
DNN990HD	K0	DNN9330BT	M1	DNN9330BTM	M2	DNN9330BT	X1
DNN9230DAB	E1	DNX890HD	K1	DNX7330BT	M3	DNX7330BTM	M4
DNX7330BT	X2	DNX7230DAB	E2	DNX7700BT	R1		

Safe	Symbol No.	Parts No.	Parts Name	Description	QTY	Local
------	------------	-----------	------------	-------------	-----	-------

EXPLODED VIEW (UNIT) <200>

△	DC1	E30-6939-05	DC CORD		1	K0,M1,M2,X1,K1,M3,M4,X2,R1
△	DC2	E30-6940-15	DC CORD		1	E1,E2
△	F1	F52-0023-05	FUSE(MINI BLADE TYPE)	32V 10A	1	
	FC1	E39-1312-05	FLAT CABLE	40PIN X15-DVD	1	
	FC2	E39-1315-05	FLAT CABLE	60PIN X15-X89	1	
	FC3	E39-1316-05	FLAT CABLE	X35-X17 MID	1	E1,E2
	FC4	E39-1314-05	FLAT CABLE	50PIN X15-X34	1	
	FC5	E39-1313-05	FLAT CABLE	14PIN SD X15-X89	1	K0,M1,M2,E1,K1,M3,M4,E2,R1
	FC5	E39-1335-05	FLAT CABLE	14PIN SD X15-X89	1	X1,X2
	FPC1	J86-0108-05	FPC(LEAD FREE)	X35/X17-X15 60PIN	1	
	FPC2	QAL1372-001	FPC	11MODEL X16X35 14PIN	1	
	LCD1	B38-1248-05	LCD	6.95INCH LCDC	1	
	PA1	A64-5443-01	PANEL		1	K0
	PA1	A64-5501-01	PANEL		1	M1,M2,X1
	PA1	A64-5444-01	PANEL		1	E1
	PA1	A64-5445-01	PANEL		1	K1
	PA1	A64-5448-01	PANEL		1	M3,M4,X2
	PA1	A64-5447-01	PANEL		1	E2
	PA1	A64-5446-01	PANEL		1	R1
	PME1	A10-5582-11	CHASSIS ASSY		1	
	RC1	A70-2107-05	REMOTE CONTROLLER ASSY		1	K0,M1,M2,X1,E1,K1,M3,M4,X2,R1
	VME1	D40-2251-05	DVD DRIVE		1	
	A	N09-6851-05	MACHINE SCREW		4	
	C	N09-6489-05	MACHINE SCREW	M2.0X3.0	11	K0,M1,M2,X1,K1,M3,M4,X2,R1
	C	N09-6489-05	MACHINE SCREW	M2.0X3.0	13	E1,E2
	D	N09-6490-05	STEPPED SCREW		2	
	E	N09-6939-05	TAPTITE SCREW		4	
	F	N09-6493-05	MACHINE SCREW	M2.6X5	6	
	P	N86-2606-43	BINDING HEAD	2.6X 6	5	
	Q	N09-6825-05	TAPTITE SCREW		5	E1,E2
	R	N19-2332-04	MACHINE SCREW	M2.0XP0.4	2	
	S	N35-2004-48	FLAT WASHER	1.2X3.2X0.25 PORIS	2	
	S	N35-2004-48	BINDING HEAD	M2.0X4	1	E1,E2
	T	N86-2606-48	MACHINE SCREW		21	
	T	N86-2606-48	BINDING HEAD	2.6X 6	21	
	U	N82-2005-48	TAPTITE SCREW		2	K0,M1,M2,X1,K1,M3,M4,X2,R1
	U	N82-2005-48	BINDING HEAD	2X 5	2	
	V	N86-2610-48	TAPTITE SCREW		2	
	V	N86-2610-48	BINDING HEAD		2	
	W	N83-3008-48	TAPTITE SCREW		3	
	W	N83-3008-48	PAN HEAD TAPTITE SCREW		3	
	X	N84-2614-48	PAN HEAD TAPTITE SCREW	2.6X14	4	
	Z	N09-6823-05	TAPTITE SCREW		1	E1,E2
	AA	N35-2003-48	BINDING HEAD	M2X3	4	
	AA	N35-2003-48	MACHINE SCREW		4	
	AB	N82-2006-43	BINDING HEAD	2X 6	3	K0,M1,M2,X1,K1,M3,M4,X2,R1
	AB	N82-2006-43	TAPTITE SCREW		3	
	AB	N82-2006-43	BINDING HEAD	2X 6	9	E1,E2
	AC	N89-3006-48	TAPTITE SCREW		2	
	AC	N89-3006-48	BINDING HEAD	3X6	2	
	AE	N82-2608-48	TAPTITE SCREW		1	
	AE	N82-2608-48	BINDING HEAD	2.6X 8	1	
	AF	GE40377-002A	TAPTITE SCREW		9	
	AG	N09-6904-05	TAPTITE SCREW		3	
	203	X89-3140-15	DAUGHTER UNIT (FOR SERVICE)	X89-3140-11	1	K0,M1,M2,X1,E1
	203	X89-3140-16	DAUGHTER UNIT (FOR SERVICE)	X89-3140-12	1	K1,R1
	203	X89-3140-14	DAUGHTER UNIT (FOR SERVICE)	X89-3140-10	1	M3,M4,X2,E2
	204	X16-7310-10	SWITCH UNIT		1	
	208	A22-3348-01	SUB PANEL ASSY		1	K0
	208	A22-3351-01	SUB PANEL ASSY		1	M1,M2,X1,M3,M4,X2,R1
	208	A22-3349-01	SUB PANEL ASSY		1	E1,E2
	208	A22-3350-01	SUB PANEL ASSY		1	K1
	210	B07-3224-31	ESCUTCHEON		1	
	211	B07-3363-02	ESCUTCHEON		1	K0,M1,M2,K1,M3,M4,R1
	217	D10-7012-04	LEVER		2	
	218	D10-7104-03	LEVER		2	E1,E2
	219	D10-7105-13	LEVER		1	E1,E2
	223	F20-2532-03	INSULATING SHEET		1	
	224	F20-2537-04	INSULATING SHEET		1	
	226	D14-1024-04	ROLLER		2	
	228	D21-2537-04	SHAFT		2	E1,E2
	229	D21-2538-04	SHAFT		1	E1,E2
	230	E30-8305-05	CORD WITH PINPLUG (AV)		1	K0,M1,M2,X1,E1,K1,R1
	230	E30-8306-05	CORD WITH PINPLUG (AV)		1	M3,M4,X2,E2
	231	E30-8328-05	CORD WITH CONNECTOR (USB)		1	K0,M1,X1
	231	E30-8313-05	CORD WITH CONNECTOR (USB)		1	M2,E1

MODEL	MARK	MODEL	MARK	MODEL	MARK	MODEL	MARK
DNN990HD	K0	DNN9330BT	M1	DNN9330BTM	M2	DNN9330BT	X1
DNN9230DAB	E1	DNX890HD	K1	DNX7330BT	M3	DNX7330BTM	M4
DNX7330BT	X2	DNX7230DAB	E2	DNX7700BT	R1		

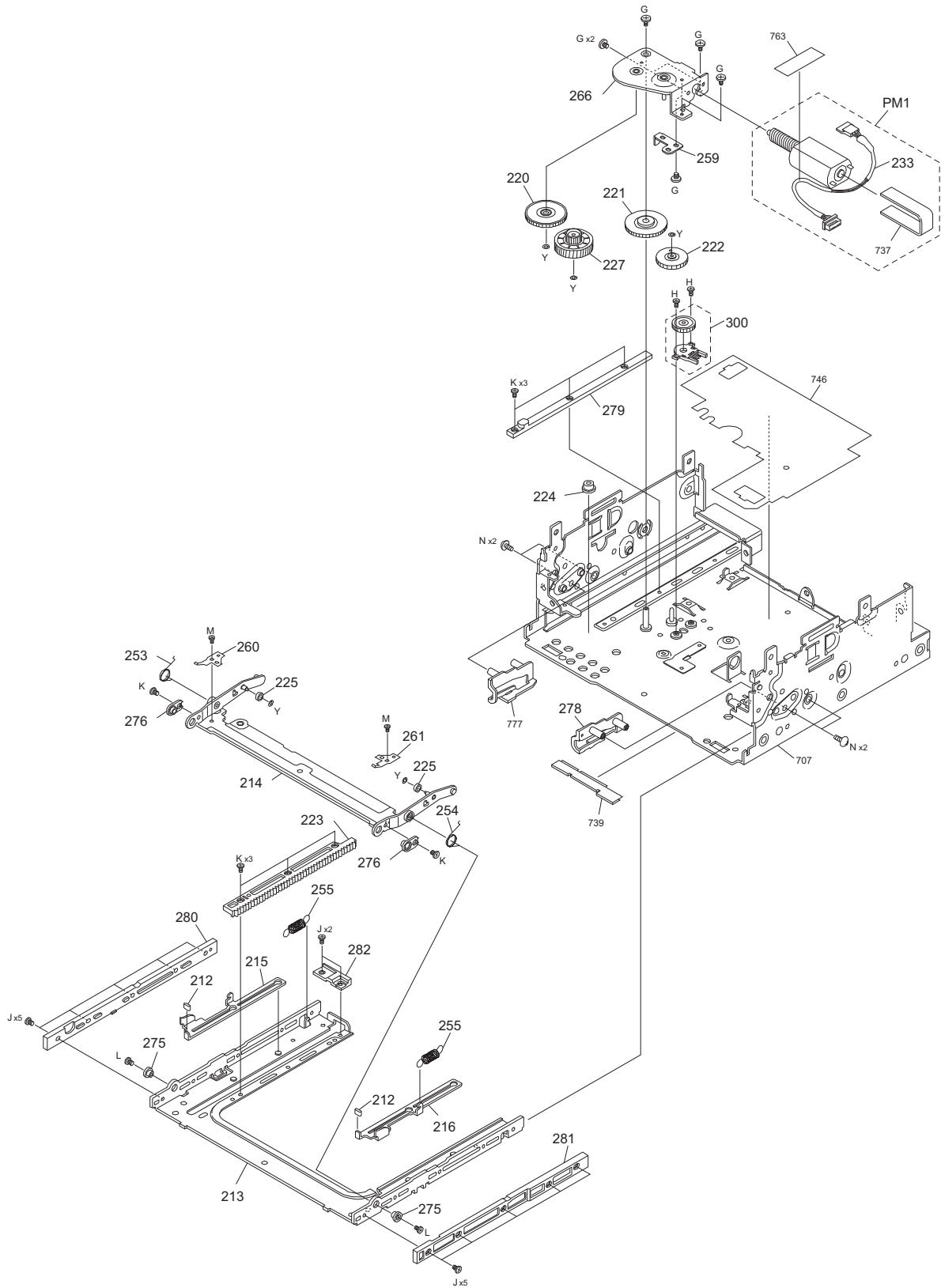
Safe	Symbol No.	Parts No.	Parts Name	Description	QTY	Local
	231	E30-8327-05	CORD WITH CONNECTOR (USB)		1	M3,X2
	231	E30-8309-05	CORD WITH CONNECTOR (USB)		1	M4,E2
	236	F07-2285-01	COVER		1	E1,E2
	238	F09-2929-04	CAP(USB)		2	K0,M1,M2,X1,E1,M3,M4,X2,E2
	238	F09-2929-04	CAP(USB)		1	K1,R1
	241	F09-3070-05	FAN	40X40X10 5V	1	
	245	F19-1845-03	HOLE CAP		1	
	252	F29-0626-04	INSULATING COVER(RCA)		6	
	256	G01-4659-04	COMPRESSION SPRING		2	
	257	G01-4754-04	TORSION COIL SPRING		2	E1,E2
	258	G01-4755-04	TORSION COIL SPRING		1	E1,E2
	265	H30-0595-04	ADHESIVE DOUBLE-COATED TAPE		1	K0,M1,M2,K1,M3,M4,R1
	267	J22-0657-13	MOUNTING HARDWARE ASSY		1	
	269	J22-2138-02	MOUNTING HARDWARE ASSY		1	E1,E2
	272	J22-0964-04	MOUNTING HARDWARE(GPS)		1	
	283	J90-1197-01	RAIL(L)		1	
	284	J90-1198-01	RAIL(R)		1	
	290	J39-0885-04	COLLAR	WIFI DONGLE	1	K0,M1,M2,X1,E1
	291	E30-8310-05	CORD WITH CONNECTOR		1	K0,M1,M2,X1,E1
	291	E30-8311-05	CORD WITH CONNECTOR		1	K1,R1
	292	W02-5613-05	ELECTRIC CIRCUIT MODULE	WI-FI DONGLE(US)	1	K0
	292	W02-5617-05	ELECTRIC CIRCUIT MODULE	WI-FI DONGLE(EU)	1	M1,M2,X1,E1
	298	N35-2008-43	BINDING HEAD MACHINE SCREW	M2X 8	1	E1,E2
	299	N99-1779-15	SCREW SET		1	K0,M1,M2,X1,K1,M3,M4,X2,R1
	301	W01-2066-05	MICROPHONE(BT)	SENSITIVITY 42DB	1	
	302	W01-2004-15	REMOCON CABLE		1	M1,M2,X1,M3,M4,X2
	303	W01-2010-05	CARRYING CASE		1	E1,E2
	304	W01-2055-05	COMPACT DISC		1	K0,M1,M2,X1,E1
	304	W01-2060-05	COMPACT DISC		1	K1,M3,M4,X2,E2,R1
	305	W02-5614-05	ANTENNA MODULE(GPS)		1	
	306	W02-5609-25	IC MEMORY CARD	13NA 8GB DNN H	1	K0
	306	W02-5602-25	IC MEMORY CARD	13BM 4GB DNN M	1	M1,M2,X1
	306	W02-5611-25	IC MEMORY CARD	13EU 8GB DNN H	1	E1
	306	W02-5603-45	IC MEMORY CARD	13NA 4GB DNX M	1	K1
	306	W02-5605-45	IC MEMORY CARD	13BM 4GB DNX ML	1	M3,M4,X2,R1
	306	W02-5604-45	IC MEMORY CARD	13EU 8GB DNX M	1	E2
	307	A21-6846-03	DRESSING PANEL(CENTER)		1	
	308	A21-6847-03	DRESSING PANEL(L)		1	
	309	A21-6848-03	DRESSING PANEL(R)		1	
	310	A46-1910-21	REAR COVER		1	K0,M1,M2,X1,K1,M3,M4,X2,R1
	310	A46-1937-01	REAR COVER		1	E1,E2
	311	B11-2064-13	OPTICAL DIFFUSER(L)		1	
	312	B11-2065-13	OPTICAL DIFFUSER(R)		1	
	313	B43-1518-04	BADGE		1	
	327	G01-4753-04	TORSION COIL SPRING		1	E1,E2
	328	G16-1749-04	SHEET		1	
	329	J22-0922-12	MOUNTING HARDWARE ASSY		1	K0,M1,M2,X1,K1,M3,M4,X2,R1
	331	J22-0968-02	MOUNTING HARDWARE ASSY		1	E1,E2
	332	K24-5071-03	PUSH KNOB(RELEASE)		1	E1,E2
	333	K24-5150-14	PUSH KNOB(RESET)		1	
	334	K28-0565-01	KNOB ASSY		1	K0,M1,M2,X1,E1
	334	K28-0474-11	KNOB ASSY		1	K1,M3,M4,X2,R1
	334	K28-0473-11	KNOB ASSY		1	E2
	335	S79-0894-05	SWITCH ASSY	6.95INCH	1	
	379	E30-8307-05	CORD WITH PLUG		1	K0,K1,R1
	379	E30-8308-05	CORD WITH PLUG		1	M1,M2,X1,E1,M3,M4,X2,E2
	380	E30-8271-15	CORD WITH PINPLUG		1	K0,E1
	501	B64-5072-00	INSTRUCTION MANUAL		1	M2
	501	B64-5047-00	INSTRUCTION MANUAL		1	M4
	502	B64-5096-00	INSTRUCTION MANUAL		1	M2
	502	B64-5073-00	INSTRUCTION MANUAL		1	M4
	503	B59-2163-00	SUB-INSTRUCTION MANUAL		1	K0
	503	B59-2167-00	SUB-INSTRUCTION MANUAL		1	M1,M2,X1
	503	B59-2164-00	SUB-INSTRUCTION MANUAL		1	E1
	503	B59-2176-00	SUB-INSTRUCTION MANUAL		1	K1,R1

MODEL	MARK	MODEL	MARK	MODEL	MARK	MODEL	MARK
DNN990HD	K0	DNN9330BT	M1	DNN9330BTM	M2	DNN9330BT	X1
DNN9230DAB	E1	DNX890HD	K1	DNX7330BT	M3	DNX7330BTM	M4
DNX7330BT	X2	DNX7230DAB	E2	DNX7700BT	R1		

Safe	Symbol No.	Parts No.	Parts Name	Description	QTY	Local
	504	B59-2168-00	MANUAL	SUB-INSTRUCTION	1	M1
	504	B59-2169-00	MANUAL	SUB-INSTRUCTION	1	M2
	504	B59-2165-00	MANUAL	SUB-INSTRUCTION	1	E1
	504	B59-2177-00	MANUAL	SUB-INSTRUCTION	1	K1
	504	B59-2182-00	MANUAL	SUB-INSTRUCTION	1	M3,M4,X2
	504	B59-2179-00	MANUAL	SUB-INSTRUCTION	1	E2
	504	B59-2178-00	MANUAL	SUB-INSTRUCTION	1	R1
	505	B59-2166-00	MANUAL	SUB-INSTRUCTION	1	E1
	505	B59-2183-00	MANUAL	SUB-INSTRUCTION	1	M3
	505	B59-2184-00	MANUAL	SUB-INSTRUCTION	1	M4
	505	B59-2180-00	MANUAL	SUB-INSTRUCTION	1	E2
	506	B59-2170-00	MANUAL	SUB-INSTRUCTION	1	K0,E1
	506	B59-2181-00	MANUAL	SUB-INSTRUCTION	1	E2
	507	B59-2171-00	MANUAL	SUB-INSTRUCTION	1	K0,M1,M2,X1,E1
	508	H54-5264-03	ITEM	CARTON CASE	1	K0
	508	H54-5266-03	ITEM	CARTON CASE	1	M1
	508	H54-5267-03	ITEM	CARTON CASE	1	M2
	508	H54-5268-03	ITEM	CARTON CASE	1	X1
	508	H54-5265-03	ITEM	CARTON CASE	1	E1
	508	H54-5269-03	ITEM	CARTON CASE	1	K1
	508	H54-5272-03	ITEM	CARTON CASE	1	M3
	508	H54-5273-03	ITEM	CARTON CASE	1	M4
	508	H54-5274-03	ITEM	CARTON CASE	1	X2
	508	H54-5271-03	ITEM	CARTON CASE	1	E2
	508	H54-5270-03	ITEM	CARTON CASE	1	R1

EXPLODED VIEW (PANEL MECHA ASSY: A10-5582-11)

Block No.100



Parts with the exploded numbers larger than 700 are not supplied.

MODEL	MARK	MODEL	MARK	MODEL	MARK	MODEL	MARK
DNN990HD	K0	DNN9330BT	M1	DNN9330BTM	M2	DNN9330BT	X1
DNN9230DAB	E1	DNX890HD	K1	DNX7330BT	M3	DNX7330BTM	M4
DNX7330BT	X2	DNX7230DAB	E2	DNX7700BT	R1		

Safe	Symbol No.	Parts No.	Parts Name	Description	QTY	Local
------	------------	-----------	------------	-------------	-----	-------

EXPLODED VIEW (PANEL MECHA ASSY) <100>

PM1	T42-1368-04	MOTOR ASSY			1	
G	N09-6361-05	MACHINE SCREW	M2X2.5 #0		6	
H	N09-6363-05	MACHINE SCREW	M1.7X3.7		2	
J	N09-6375-05	MACHINE SCREW	M2X2.5 TYPE3 #0		12	
K	N09-6376-05	MACHINE SCREW	M2X3.5 TYPE3 #0		8	
L	N09-6377-05	MACHINE SCREW	M2X2.5TYPE1 #0		2	
M	N09-6378-05	TAPTITE SCREW	STITE 2X2 TYPE1 #0		2	
N	N09-6379-05	MACHINE SCREW	M2.6X4 BIND		4	
Y	N19-2321-04	FLAT WASHER			5	
212	B09-0541-04	CAP			2	
213	D10-4895-32	SLIDER ASSY			1	
214	D10-4897-13	ARM ASSY			1	
215	D10-4899-03	LEVER			1	
216	D10-4900-03	LEVER			1	
220	D13-2394-04	GEAR			1	
221	D13-2395-04	GEAR			1	
222	D13-2396-04	GEAR			1	
223	D13-2397-03	RACK (GEAR)			1	
224	D14-1010-04	ROLLER			1	
225	D14-1011-14	ROLLER			2	
227	D19-0653-23	CLUTCH ASSY			1	
233	E39-1174-05	WIRING HARNESS			1	
253	G01-3288-04	TORSION COIL			1	
		SPRING				
254	G01-3289-04	TORSION COIL			1	
		SPRING				
255	G01-3290-04	EXTENSION SPRING			2	
259	G02-1539-04	FLAT SPRING			1	
260	G02-1544-04	FLAT SPRING			1	
261	G02-1545-04	FLAT SPRING			1	
266	J22-0444-13	MOUNTING HARDWARE MOTOR BKT C ASSY			1	
		ASSY				
275	J31-1075-14	COLLAR	ARM COLLAR		2	
276	J31-1077-04	COLLAR	PANEL COLLAR		2	
278	J90-1126-13	GUIDE ASSY			1	
279	J90-1128-03	RAIL			1	
280	J90-1129-23	RAIL			1	
281	J90-1130-23	RAIL			1	
282	J90-1131-03	GUIDE			1	
300	R31-0248-05	VARIABLE RESISTOR	RDC504007A		1	

EXPLODED VIEW (DVD MECHANISM: D40-2251-05: FD2-2A00NXN)

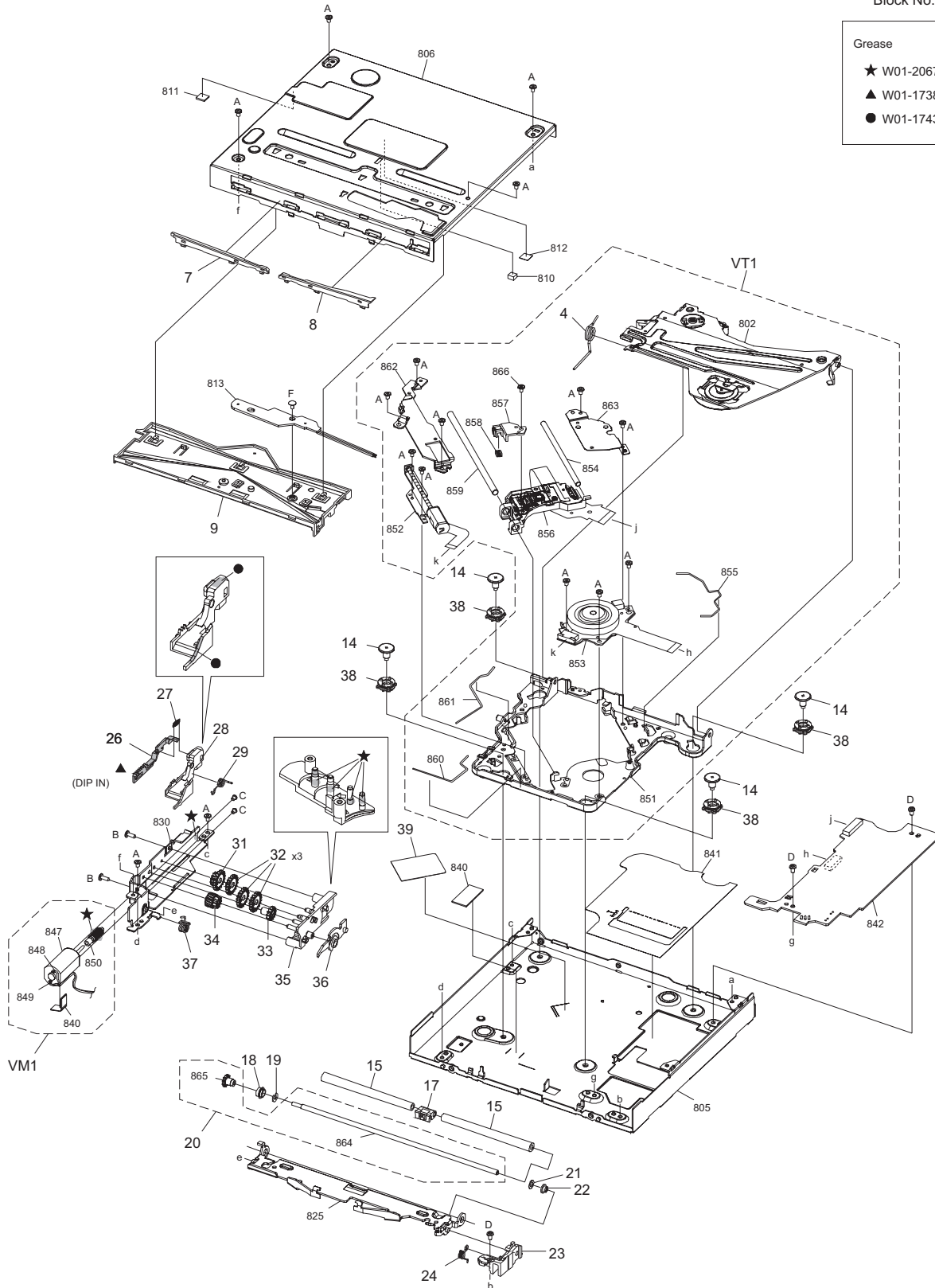
Block No.130

Grease

★ W01-2067-08

▲ W01-1738-08

● W01-1743-08



Parts with the exploded numbers larger than 800 are not supplied.

MODEL	MARK	MODEL	MARK	MODEL	MARK	MODEL	MARK
DNN990HD	K0	DNN9330BT	M1	DNN9330BTM	M2	DNN9330BT	X1
DNN9230DAB	E1	DNX890HD	K1	DNX7330BT	M3	DNX7330BTM	M4
DNX7330BT	X2	DNX7230DAB	E2	DNX7700BT	R1		

Safe	Symbol No.	Parts No.	Parts Name	Description	QTY	Local
------	------------	-----------	------------	-------------	-----	-------

EXPLODED VIEW (DVD MECHANISM: D40-2251-05: FD2-2A00NXN) <130>

VM1	CM-FD2-ALM	LOADING M ASSY		1	
VT1	CM-FD2-ATM	TM ASSY		1	
A	LV44959-002A	SPECIAL SCREW	FOR SLED MOTOR	16	
B	LV45727-001A	GEAR SCREW	FOR GEAR HOLDER	2	
C	QYSPSPU1425MA	SCREW	M1.4 x 2.5mm	2	
D	VKZ4539-054	MINI SCREW	FOR PCB	3	
F	LV44586-001A	SPECIAL SCREW	FOR PHOTO PCB	1	
4	LV45709-001A	CLAMP SPRING		1	
7	LV23006-002A	GUIDE 2 L		1	
8	LV23007-002A	GUIDE 2 R		1	
9	LV11842-001A	DISC GUIDE		1	
14	LV45704-001A	DAMPER SHAFT		4	
15	LV45724-001A	RUBBER ROLLER		2	
17	LV37652-002A	SHAFT GUIDE		1	
18	LV39938-001A	GEAR RETAINER		1	
19	LV45730-001A	ROLLER C WASHER		1	
20	CM-FD2-AROS	RO SHAFT ASSY		1	
21	LV45731-001A	ROLLER WASHER		1	
22	LV45718-001A	ROLLER RETAINER		1	
23	LV23003-001A	ROLLER HOLDER		1	
24	LV45713-001A	ROLLER SPRING R		1	
26	LV39932-002A	TRIGGER SLIDER		1	
27	LV45715-001A	TRIGGER SPRING		1	
28	LV23004-003A	SLIDER		1	
29	LV39935-002A	SLIDER SPRING		1	
31	LV39929-001A	DRIVE GEAR 4		1	
32	LV39928-001A	DRIVE GEAR 3		3	
33	LV39927-001A	DRIVE GEAR 2		1	
34	LV39926-001A	DRIVE GEAR 1		1	
35	LV23005-001A	GEAR HOLDER		1	
36	LV39923-002A	UD LEVER		1	
37	LV45712-003A	ROLLER SPRING L		1	
38	LV39934-001A	DAMPER		4	
39	LV45719-001A	PU FPC SHEET		1	

MODEL	MARK	MODEL	MARK	MODEL	MARK	MODEL	MARK
DNN990HD	K0	DNN9330BT	M1	DNN9330BTM	M2	DNN9330BT	X1
DNN9230DAB	E1	DNX890HD	K1	DNX7330BT	M3	DNX7330BTM	M4
DNX7330BT	X2	DNX7230DAB	E2	DNX7700BT	R1		

Safe	Symbol No.	Parts No.	Parts Name	Description	QTY	Local
------	------------	-----------	------------	-------------	-----	-------

VIDEO CONTROL UNIT (X15-16xx-xx) <X15>

IC1	TC7SH32FU-F	IC(MOS-IC)			1	
IC21	XC9247B42CM-G	IC(MOS-IC)		DCDC 1A	1	
IC22	TC7SZ125FU-F	IC(MOS-IC)		LEAD FREE	1	
IC23	TC7SH32FU-F	IC(MOS-IC)			1	
IC31	TPS54240DGQR	IC(MOS-IC)		2.5A DOWN DCDC 1CH	1	
IC32	TC7SZ125FU-F	IC(MOS-IC)		LEAD FREE	1	
IC33	BD00C0AWFP	IC(ANALOGUE)		3.0V-15V 1A	1	
IC71	BD9876EFJ	IC(MOS-IC)		3.0A DOWN DCDC 1CH	1	
IC131	XC6213B332N-G	IC(ANALOGUE)		3.3V	1	
IC132	XC6503D331P-G	IC(MOS-IC)		3.3V 0.5A	1	
IC133	NJM2855DL118	IC(ANALOGUE)		1.8V 1A	1	
IC134	XC6223B331P-G	IC(ANALOGUE)		3.3V	1	
IC151	XC6213B502N-G	IC(ANALOGUE)		5.0V	1	
IC152	XC6213B502N-G	IC(ANALOGUE)		5.0V	1	
IC161	NJM2819ADL305	IC(ANALOGUE)		5.0V	1	
IC171	AN33012UA-VB	IC(ANALOGUE)			1	
IC200	TC7SH08FU-F	IC(MOS-IC)			1	
IC201	TC7SZ125FU-F	IC(MOS-IC)		LEAD FREE	1	K0,E1,K1,R1
IC202	W05-1548-00	IC(ROM)		REGION 1	1	K0,K1
IC202	W05-1550-00	IC(ROM)		REGION 3	1	M1,M3
IC202	W05-1549-00	IC(ROM)		REGION 2	1	M2,E1,M4,E2
IC202	W05-1551-00	IC(ROM)		REGION 4	1	X1,X2,R1
IC203	XC6120N282N-G	IC(MOS-IC)		2.8V	1	
IC205	TC74VHCV07FT	IC(MOS-IC)			1	M1,M2,X1,M3,M4,X2
IC206	W10-0853-08	IC(SYSTEM MI-CON)		128PIN 512K 47K	1	
IC207	TC7SZ08FU-F	IC(MOS-IC)			1	K0,K1
IC208	TC7SET08FU-F	IC(MOS-IC)			1	K0,K1
IC400	AK4388AET2P	IC(MOS-IC)			1	
IC401	AK4388AET2P	IC(MOS-IC)			1	
IC403	XC6209B502P1	IC(ANALOGUE)		5.0V LF	1	
IC404	WM8974GEFL/RV	IC(MOS-IC)		1CH CODEC (MIC AMP)	1	
IC405	XC6213B332N-G	IC(ANALOGUE)		3.3V	1	
IC406	AK4388AET2P	IC(MOS-IC)			1	K1,M3,M4,X2,E2,R1
IC500	TPS2065CDBV-X	IC(MOS-IC)			1	K0,M1,M2,X1,E1,K1,R1
IC501	NJM2819ADL352	IC(ANALOGUE)		5.2V	1	
IC502	XC6120N412N-G	IC(MOS-IC)		4.1V	1	
IC503	TPS2065CDBV-X	IC(MOS-IC)			1	
IC650	BH7673G	IC(ANALOGUE)			1	
IC700	AN15886A-VF	IC(MOS-IC)		VIDEO SEL	1	
IC900	XC6223B331P-G	IC(ANALOGUE)		3.3V	1	K0,M1,M2,X1,E1
IC901	BA4560RF	IC(ANALOGUE)			1	K0,M1,M2,X1,E1
IC902	XC6223B181P-G	IC(ANALOGUE)		1.8V	1	K0,M1,M2,X1,E1
IC903	XC6213B332N-G	IC(ANALOGUE)		3.3V	1	K1,M3,M4,X2,E2,R1
Q1	LSAR523EBFS8	TRANSISTOR			1	
Q2	LTC014YEBFS8	TRANSISTOR			1	
Q3	LSAR523EBFS8	TRANSISTOR			1	
Q4	MTM981400BF	FET			1	
Q5	LSCR523EBFS8	TRANSISTOR			1	
Q6	LSAR523EBFS8	TRANSISTOR			1	
Q7	LTA014TUBFS8	TRANSISTOR			1	
Q9	LSCR523EBFS8	TRANSISTOR			1	
Q10	LSAR523EBFS8	TRANSISTOR			1	
Q11	LTC014YEBFS8	TRANSISTOR			1	
Q21	LSAR523EBFS8	TRANSISTOR			1	
Q22	LTC014YEBFS8	TRANSISTOR			1	
Q23	LSAR523EBFS8	TRANSISTOR			1	
Q24	RT1E040RP	FET		PCH MOS	1	
Q25	LSCR523EBFS8	TRANSISTOR			1	
Q26	LSCR523EBFS8	TRANSISTOR			1	
Q27	LSCR523EBFS8	TRANSISTOR			1	
Q28	LTC014YEBFS8	TRANSISTOR			1	
Q29	LTC014YEBFS8	TRANSISTOR			1	
Q33	LTC014YEBFS8	TRANSISTOR			1	
Q34	LSCR523EBFS8	TRANSISTOR			1	
Q51	RT1E040RP	FET		PCH MOS	1	
Q71	LSAR523EBFS8	TRANSISTOR			1	
Q72	LSAR523EBFS8	TRANSISTOR			1	
Q91	RT1E040RP	FET		PCH MOS	1	
Q101	LSCR523EBFS8	TRANSISTOR			1	
Q102	LSAR523EBFS8	TRANSISTOR			1	
Q103	LTC014YEBFS8	TRANSISTOR			1	
Q104	LTC014YEBFS8	TRANSISTOR			1	
Q111	RTQ025P02	FET			1	
Q112	LTC014YEBFS8	TRANSISTOR			1	
Q113	RTQ025P02	FET			1	
Q114	LTC014YEBFS8	TRANSISTOR			1	
Q118	LTC014YEBFS8	TRANSISTOR			1	
Q119	2SB1689	TRANSISTOR			1	
Q141	LTC014YEBFS8	TRANSISTOR			1	
Q142	LTA014YEBFS8	TRANSISTOR			1	
Q143	LSAR523EBFS8	TRANSISTOR			1	
Q144	RTQ025P02	FET			1	
Q145	LTC014YEBFS8	TRANSISTOR			1	
Q146	2SB1689	TRANSISTOR			1	
Q200	LTC043TUBFS8	TRANSISTOR			1	
Q201	LTA014YEBFS8	TRANSISTOR			1	
Q202	LTC043TUBFS8	TRANSISTOR			1	
Q203	LTA014YEBFS8	TRANSISTOR			1	

MODEL	MARK	MODEL	MARK	MODEL	MARK	MODEL	MARK
DNN990HD	K0	DNN9330BT	M1	DNN9330BTM	M2	DNN9330BT	X1
DNN9230DAB	E1	DNX890HD	K1	DNX7330BT	M3	DNX7330BTM	M4
DNX7330BT	X2	DNX7230DAB	E2	DNX7700BT	R1		

Safe	Symbol No.	Parts No.	Parts Name	Description	QTY	Local
	Q204	LTA014YEBFS8	TRANSISTOR		1	
	Q205	LSAR523EBFS8	TRANSISTOR		1	
	Q206	LSAR523EBFS8	TRANSISTOR		1	
	Q207	LTC044EEBFS8	TRANSISTOR		1	
	Q208	2SB1689	TRANSISTOR		1	
	Q209	LTC014YEBFS8	TRANSISTOR		1	
	Q210	LTC014YEBFS8	TRANSISTOR		1	
	Q211	LTC043ZEBFS8	TRANSISTOR		1	
	Q212	LTC014YEBFS8	TRANSISTOR		1	
	Q213	LTC014TUBFS8	TRANSISTOR		1	
	Q400	LTC043TUBFS8	TRANSISTOR		1	K1,M3,M4,X2,E2,R1
	Q401	LTC043TUBFS8	TRANSISTOR		1	K1,M3,M4,X2,E2,R1
	Q402	LTA043ZUBFS8	TRANSISTOR		1	K1,M3,M4,X2,E2,R1
	Q403	LTC014YEBFS8	TRANSISTOR		1	K1,M3,M4,X2,E2,R1
	Q500	LTC014TUBFS8	TRANSISTOR		1	K0,K1,R1
	Q501	LSCR523UBFS8	TRANSISTOR		1	K0,K1,R1
	Q502	2SAR533D	TRANSISTOR		1	K0,K1,R1
	Q503	LSAR523UBFS8	TRANSISTOR		1	K0,K1,R1
	Q504	LSCR523UBFS8	TRANSISTOR		1	K0,K1,R1
	Q505	LSCR523UBFS8	TRANSISTOR		1	K0,K1,R1
	Q506	LTA014YEBFS8	TRANSISTOR		1	
	Q507	LSCR523UBFS8	TRANSISTOR		1	
	Q508	LSCR523UBFS8	TRANSISTOR		1	
	Q509	LTC024EUBFS8	TRANSISTOR		1	
	Q650	LSCR523UBFS8	TRANSISTOR		1	
	Q651	LSAR523UBFS8	TRANSISTOR		1	
	Q652	LSAR523UBFS8	TRANSISTOR		1	
	Q653	LSCR523UBFS8	TRANSISTOR		1	
	Q654	LSCR523UBFS8	TRANSISTOR		1	
	D21	RKZ18KG(B2)	Z DIODE		1	
	D22	RB162M-40	DIODE	40V	1	
	D23	RB162M-40	DIODE	40V	1	
	D31	RB080L-30	DIODE		1	
	D32	RB080L-30	DIODE		1	
	D33	RKS801KF	DIODE		1	
	D34	RB080L-30	DIODE		1	
	D35	RKS801KF	DIODE		1	
	D51	RB080L-30	DIODE		1	
	D71	RB080L-30	DIODE		1	
	D72	RKZ6.2KG(B2)	Z DIODE		1	
	D91	RB080L-30	DIODE		1	
	D111	RB080L-30	DIODE		1	
	D131	GS1J-LTP-X	SI DIODE		1	
	D132	GS1J-LTP-X	SI DIODE		1	
	D133	RKS801KF	DIODE		1	
	D161	RKS801KF	DIODE		1	
	D172	MC2850-T111	DIODE		1	
	D173	MC2850-T111	DIODE		1	
	D202	KLB-16BP-X	LED		1	
	D203	KLB-16BP-X	LED		1	
	D204	VR105C3R3BAA	VARIATOR	10V 40V 3.3P1005	1	
	D205	VR105C3R3BAA	VARIATOR	10V 40V 3.3P1005	1	
	D206	VR105C3R3BAA	VARIATOR	10V 40V 3.3P1005	1	
	D207	VR1005CCA270	VARIATOR	15V 27V 15P	1	
	D208	VR1005CCA270	VARIATOR	15V 27V 15P	1	
	D400	VR1005DDA080	VARIATOR	5.5V 8V 480P	1	
	D401	VR1005DDA080	VARIATOR	5.5V 8V 480P	1	
	D500	GS1J-LTP-X	SI DIODE		1	K0,K1,R1
	D501	GS1J-LTP-X	SI DIODE		1	K0,K1,R1
	D502	VR1005CCA270	VARIATOR	15V 27V 15P	1	
	D503	VR1005CCA270	VARIATOR	15V 27V 15P	1	
	D504	RKS801KF	DIODE		1	
	D505	VR1005AAA180	VARIATOR	10V 18V 140P	1	
	D506	RKS801KF	DIODE		1	
	D507	RKS801KF	DIODE		1	
	D508	RKS801KF	DIODE		1	
	D632	VR1005DDA080	VARIATOR	5.5V 8V 480P	1	K0,M1,M2,X1,K1,M3,M4,X2
	D639	VR1005DDA080	VARIATOR	5.5V 8V 480P	1	K0,M1,M2,X1,K1,M3,M4,X2
	D640	VR1005DDA080	VARIATOR	5.5V 8V 480P	1	K0,M1,M2,X1,K1,M3,M4,X2
	D641	RKZ6.2KG(B2)	Z DIODE		1	M1,M2,X1,M3,M4,X2
	D642	VR1005DDA080	VARIATOR	5.5V 8V 480P	1	M1,M2,X1,M3,M4,X2
	D643	VR1005CCA270	VARIATOR	15V 27V 15P	1	M1,M2,X1,M3,M4,X2
	D644	RKZ6.2KG(B2)	Z DIODE		1	M1,M2,X1,M3,M4,X2
	D645	RKZ6.2KG(B2)	Z DIODE		1	M1,M2,X1,M3,M4,X2
	D646	RKZ6.2KG(B2)	Z DIODE		1	M1,M2,X1,M3,M4,X2
	D647	RKZ6.2KG(B2)	Z DIODE		1	M1,M2,X1,M3,M4,X2
	D648	RKZ6.2KG(B2)	Z DIODE		1	M1,M2,X1,M3,M4,X2
	D649	RKZ6.2KG(B2)	Z DIODE		1	M1,M2,X1,M3,M4,X2
	D650	RKZ6.2KG(B2)	Z DIODE		1	M1,M2,X1,M3,M4,X2
	D651	RKZ6.2KG(B2)	Z DIODE		1	M1,M2,X1,M3,M4,X2
	D652	VR1005DDA080	VARIATOR	5.5V 8V 480P	1	
	D653	VR1005DDA080	VARIATOR	5.5V 8V 480P	1	
	D654	RKS801KF	DIODE		1	
	D655	RKZ6.2KG(B2)	Z DIODE		1	K0,M1,M2,X1,E1,K1,R1
	D656	RKZ6.2KG(B2)	Z DIODE		1	
	D657	RKZ6.2KG(B2)	Z DIODE		1	
	D658	VR1005CCA270	VARIATOR	15V 27V 15P	1	
	D659	VR1005CCA270	VARIATOR	15V 27V 15P	1	

MODEL	MARK	MODEL	MARK	MODEL	MARK	MODEL	MARK
DNN990HD	K0	DNN9330BT	M1	DNN9330BTM	M2	DNN9330BT	X1
DNN9230DAB	E1	DNX890HD	K1	DNX7330BT	M3	DNX7330BTM	M4
DNX7330BT	X2	DNX7230DAB	E2	DNX7700BT	R1		

Safe	Symbol No.	Parts No.	Parts Name	Description	QTY	Local
	D660	VR1005CCA270	VARISTOR	15V 27V 15P	1	K0,M1,M2,X1,E1,K1,R1
	D661	VR1005CCA270	VARISTOR	15V 27V 15P	1	
	D662	RKZ6.2KG(B2)	Z DIODE		1	K0,M1,M2,X1,E1,K1,R1
	D663	RKZ6.2KG(B2)	Z DIODE		1	
	D664	RKZ6.2KG(B2)	Z DIODE		1	
	D665	RKZ6.2KG(B2)	Z DIODE		1	
	D666	VR1005DDA080	VARISTOR	5.5V 8V 480P	1	
	D667	VR1005DDA080	VARISTOR	5.5V 8V 480P	1	
	D668	VR1005CCA270	VARISTOR	15V 27V 15P	1	
	D669	VR1005DDA080	VARISTOR	5.5V 8V 480P	1	
	D670	RKZ6.2KG(B2)	Z DIODE		1	
	D671	VR1005DDA080	VARISTOR	5.5V 8V 480P	1	M1,M2,X1,M3,M4,X2
	D672	RKZ5.6KG(B2)	Z DIODE		1	K0,K1
	D673	RKZ5.6KG(B2)	Z DIODE		1	K0,K1
	D674	VR1005CCA270	VARISTOR	15V 27V 15P	1	
	D675	VR1005CCA270	VARISTOR	15V 27V 15P	1	
	C1	CK73GB1H104K	CHIP C	0.10UF 50V K	1	
	C2	CK73GB1H104K	CHIP C	0.10UF 50V K	1	
	C4	CK73HB1H222K	CHIP C	2200PF 50V K	1	
	C6	CK73GB1H104K	CHIP C	0.10UF 50V K	1	
	C7	CE32BM1E101M	CHIP EL	100UF 25V M	1	
	C8	CK73GB1H103K	CHIP C	0.010UF 50V K	1	
	C9	CK73GB1H104K	CHIP C	0.10UF 50V K	1	
	C10	CK73HB1A104K	CHIP C	0.10UF 10V K	1	
	C20	CK73HB0J474K	CHIP C	0.47UF 6.3V K	1	
	C21	CK73GB1H104K	CHIP C	0.10UF 50V K	1	
	C22	CK73GB1H104K	CHIP C	0.10UF 50V K	1	
	C23	CK73EB1E106K	CHIP C	10UF 25V K	1	
	C24	CK73GB1E105K	CHIP C	1.0UF 25V K	1	
	C25	CK73EB1E106K	CHIP C	10UF 25V K	1	
	C26	CK73FB1H224K	CHIP C	0.22UF 50V K	1	
	C27	CC73HCH1H151J	CHIP C	150PF 50V J	1	
	C28	CK73FB0J226M	CHIP C	22UF M	1	
	C29	CK73HB1A104K	CHIP C	0.10UF 10V K	1	
	C30	CK73HB1A104K	CHIP C	0.10UF 10V K	1	
	C31	CE32BF1E221M	CHIP EL	220UF 25V M	1	
	C32	CK73GB1H104K	CHIP C	0.10UF 50V K	1	
	C33	CK73HB1E103K	CHIP C	0.010UF 25V K	1	
	C34	CK73EB1E106K	CHIP C	10UF 25V K	1	
	C35	CK73EB1E106K	CHIP C	10UF 25V K	1	
	C36	CK73GB1H104K	CHIP C	0.10UF 50V K	1	
	C37	CK73HB1E103K	CHIP C	0.010UF 25V K	1	
	C38	CK73HB1E103K	CHIP C	0.010UF 25V K	1	
	C39	CK73HB1H332K	CHIP C	3300PF 50V K	1	
	C41	CK73GB1H104K	CHIP C	0.10UF 50V K	1	
	C43	CK73FB0J226M	CHIP C	22UF M	1	
	C44	CK73HB1A104K	CHIP C	0.10UF 10V K	1	
	C45	CK73HB1E103K	CHIP C	0.010UF 25V K	1	
	C46	C92-2031-05	ELECTROLYTIC CAPACITOR	220UF	1	
	C47	CK73HB1A104K	CHIP C	0.10UF 10V K	1	
	C48	CK73EB1E106K	CHIP C	10UF 25V K	1	
	C49	CK73GB0J106M	CHIP C	10UF 6.3V M	1	
	C50	CK73HB1A104K	CHIP C	0.10UF 10V K	1	
	C51	CK73GB1H104K	CHIP C	0.10UF 50V K	1	
	C52	CK73HB1E103K	CHIP C	0.010UF 25V K	1	
	C53	CK73EB1E106K	CHIP C	10UF 25V K	1	
	C54	CK73EB1E106K	CHIP C	10UF 25V K	1	
	C55	CK73GB1H104K	CHIP C	0.10UF 50V K	1	
	C56	CK73HB1E103K	CHIP C	0.010UF 25V K	1	
	C59	CK73HB1H332K	CHIP C	3300PF 50V K	1	
	C60	CK73FB0J226M	CHIP C	22UF M	1	
	C61	CK73HB1A104K	CHIP C	0.10UF 10V K	1	
	C62	CK73HB1E103K	CHIP C	0.010UF 25V K	1	
	C63	CE32AV0J221M	CHIP EL	220UF 6.3V M	1	
	C64	CK73HB1H332K	CHIP C	3300PF 50V K	1	
	C65	CC73HCH1H181J	CHIP C	180PF 50V J	1	
	C66	CK73HB1H682K	CHIP C	6800PF 50V K	1	
	C67	CK73HB1C473K	CHIP C	0.047UF 16V K	1	
	C71	CK73GB1H104K	CHIP C	0.10UF 50V K	1	
	C72	CK73HB1E103K	CHIP C	0.010UF 25V K	1	
	C73	CK73EB1E106K	CHIP C	10UF 25V K	1	
	C74	CK73EB1E106K	CHIP C	10UF 25V K	1	
	C75	CK73GB1H104K	CHIP C	0.10UF 50V K	1	
	C76	CK73HB1E103K	CHIP C	0.010UF 25V K	1	
	C78	CK73HB1H682K	CHIP C	6800PF 50V K	1	
	C80	CK73GB1H104K	CHIP C	0.10UF 50V K	1	
	C81	CK73HB1H332K	CHIP C	3300PF 50V K	1	
	C82	CK73FB1C106K	CHIP C	10UF 16V K	1	
	C83	CK73HB1A104K	CHIP C	0.10UF 10V K	1	
	C84	CK73HB1E103K	CHIP C	0.010UF 25V K	1	
	C85	CE32AV1A271M	CHIP EL	270UF 10V M	1	
	C91	CK73GB1H104K	CHIP C	0.10UF 50V K	1	
	C92	CK73HB1E103K	CHIP C	0.010UF 25V K	1	
	C93	CK73EB1E106K	CHIP C	10UF 25V K	1	
	C94	CK73EB1E106K	CHIP C	10UF 25V K	1	
	C95	CK73GB1H104K	CHIP C	0.10UF 50V K	1	
	C96	CK73HB1E103K	CHIP C	0.010UF 25V K	1	
	C99	CK73HB1H332K	CHIP C	3300PF 50V K	1	
	C100	CK73FB0J226M	CHIP C	22UF M	1	
	C101	CK73HB1A104K	CHIP C	0.10UF 10V K	1	

MODEL	MARK	MODEL	MARK	MODEL	MARK	MODEL	MARK
DNN990HD	K0	DNN9330BT	M1	DNN9330BTM	M2	DNN9330BT	X1
DNN9230DAB	E1	DNX890HD	K1	DNX7330BT	M3	DNX7330BTM	M4
DNX7330BT	X2	DNX7230DAB	E2	DNX7700BT	R1		

Safe	Symbol No.	Parts No.	Parts Name	Description	QTY	Local
	C102	CK73HB1E103K	CHIP C	0.010UF 25V K	1	
	C103	C92-2031-05	ELECTROLYTIC CAPACITOR	220UF	1	
	C104	CK73HB1H332K	CHIP C	3300PF 50V K	1	
	C105	CC73HCH1H181J	CHIP C	180PF 50V J	1	
	C106	CK73HB1H682K	CHIP C	6800PF 50V K	1	
	C107	CK73HB1C473K	CHIP C	0.047UF 16V K	1	
	C111	CK73HB1A104K	CHIP C	0.10UF 10V K	1	
	C112	CK73HB1A104K	CHIP C	0.10UF 10V K	1	
	C113	CK73HB1A104K	CHIP C	0.10UF 10V K	1	
	C114	CK73HB1A104K	CHIP C	0.10UF 10V K	1	
	C117	C92-2031-05	ELECTROLYTIC CAPACITOR	220UF	1	
	C119	CK73HB1A104K	CHIP C	0.10UF 10V K	1	
	C131	CK73HB0J105K	CHIP C	1.0UF 6.3V K	1	
	C132	CK73HB0J105K	CHIP C	1.0UF 6.3V K	1	
	C133	CK73HB0J105K	CHIP C	1.0UF 6.3V K	1	
	C134	CK73HB0J105K	CHIP C	1.0UF 6.3V K	1	
	C135	CK73GB1A105K	CHIP C	1.0UF 10V K	1	
	C136	CK73GB0J106M	CHIP C	10UF 6.3V M	1	
	C137	CK73HB0J105K	CHIP C	1.0UF 6.3V K	1	
	C138	CK73HB0J105K	CHIP C	1.0UF 6.3V K	1	
	C139	CC73HCH1H080D	CHIP C	8.0PF 50V D	1	K0,E1,K1,R1
	C139	CC73HCH1H070D	CHIP C	7.0PF 50V D	1	M1,M2,X1,M3,M4,X2,E2
	C140	CC73HCH1H080D	CHIP C	8.0PF 50V D	1	K0,E1,K1,R1
	C140	CC73HCH1H070D	CHIP C	7.0PF 50V D	1	M1,M2,X1,M3,M4,X2,E2
	C141	CK73HB1A104K	CHIP C	0.10UF 10V K	1	
	C142	CK73FB1C106K	CHIP C	10UF 16V K	1	
	C143	CC73HCH1H080D	CHIP C	8.0PF 50V D	1	K0,E1,K1,R1
	C143	CC73HCH1H070D	CHIP C	7.0PF 50V D	1	M1,M2,X1,M3,M4,X2,E2
	C147	CK73HB0J105K	CHIP C	1.0UF 6.3V K	1	
	C151	CK73GB1A105K	CHIP C	1.0UF 10V K	1	
	C152	CK73HB0J105K	CHIP C	1.0UF 6.3V K	1	
	C153	CK73GB1A105K	CHIP C	1.0UF 10V K	1	
	C154	CK73HB0J105K	CHIP C	1.0UF 6.3V K	1	
	C161	CK73FB1C106K	CHIP C	10UF 16V K	1	
	C162	CK73FB1C106K	CHIP C	10UF 16V K	1	
	C163	CK73FB0J226M	CHIP C	22UF M	1	
	C191	CK73FB1E475K	CHIP C	4.7UF 25V K	1	
	C192	CK73GB1H104K	CHIP C	0.10UF 50V K	1	
	C193	CK73HB1A104K	CHIP C	0.10UF 10V K	1	
	C194	CC73HCH1H470J	CHIP C	47PF 50V J	1	
	C195	CK73HB1A104K	CHIP C	0.10UF 10V K	1	
	C196	CK73GB1A105K	CHIP C	1.0UF 10V K	1	
	C200	CE32CA1C100M	CHIP EL	10UF 16V M	1	
	C201	CK73HB1E103K	CHIP C	0.010UF 25V K	1	
	C202	CE32CA1C100M	CHIP EL	10UF 16V M	1	
	C203	CK73HB1E103K	CHIP C	0.010UF 25V K	1	
	C205	CK73GB0J106M	CHIP C	10UF 6.3V M	1	
	C206	CK73HB1A104K	CHIP C	0.10UF 10V K	1	K0,E1,K1,R1
	C207	CC73HCH1H470J	CHIP C	47PF 50V J	1	K0,E1,K1,R1
	C208	CK73HB1A104K	CHIP C	0.10UF 10V K	1	
	C209	CK73HB1E103K	CHIP C	0.010UF 25V K	1	
	C210	CE32CA1C101M	CHIP EL	100UF 16V M	1	
	C211	CK73HB1A104K	CHIP C	0.10UF 10V K	1	K0,E1,K1,R1
	C212	CK73FB0J226M	CHIP C	22UF M	1	
	C213	CK73HB1A104K	CHIP C	0.10UF 10V K	1	
	C214	CK73HB0J105K	CHIP C	1.0UF 6.3V K	1	
	C215	CK73HB1A104K	CHIP C	0.10UF 10V K	1	
	C216	CK73HB1A104K	CHIP C	0.10UF 10V K	1	
	C217	CK73HB1A104K	CHIP C	0.10UF 10V K	1	
	C218	CC73HCH1H180J	CHIP C	18PF 50V J	1	
	C219	CK73HB1A104K	CHIP C	0.10UF 10V K	1	
	C220	CC73HCH1H060D	CHIP C	6.0PF 50V D	1	
	C221	CE32CC1E470M	CHIP EL	47UF 25V M	1	
	C222	CK73HB1A104K	CHIP C	0.10UF 10V K	1	
	C223	CC73HCH1H220J	CHIP C	22PF 50V J	1	
	C224	CC73HCH1H220J	CHIP C	22PF 50V J	1	
	C225	CK73EB1E106K	CHIP C	10UF 25V K	1	
	C226	CC73HCH1H471J	CHIP C	470PF 50V J	1	
	C228	CK73HB1E104K	CHIP C	0.10UF 25V K	1	
	C229	CK73HB1E103K	CHIP C	0.010UF 25V K	1	
	C233	CK73HB0J105K	CHIP C	1.0UF 6.3V K	1	
	C234	CK73HB0J105K	CHIP C	1.0UF 6.3V K	1	
	C236	CK73HB1E103K	CHIP C	0.010UF 25V K	1	
	C237	CK73HB1E103K	CHIP C	0.010UF 25V K	1	
	C238	CK73HB1E103K	CHIP C	0.010UF 25V K	1	
	C239	CK73HB1A104K	CHIP C	0.10UF 10V K	1	M1,M2,X1,M3,M4,X2
	C240	CK73HB1E103K	CHIP C	0.010UF 25V K	1	K0,K1
	C241	CK73HB1E103K	CHIP C	0.010UF 25V K	1	
	C242	CK73HB1E103K	CHIP C	0.010UF 25V K	1	K0,K1
	C243	CK73GB0J106M	CHIP C	10UF 6.3V M	1	
	C244	CK73HB1E103K	CHIP C	0.010UF 25V K	1	
	C245	CK73HB1H222K	CHIP C	2200PF 50V K	1	
	C246	CK73HB1E103K	CHIP C	0.010UF 25V K	1	
	C247	CK73GB0J106M	CHIP C	10UF 6.3V M	1	
	C248	CK73HB1E103K	CHIP C	0.010UF 25V K	1	M1,M2,X1,M3,M4,X2
	C249	CE32BQJ221M	CHIP EL	220UF 6.3V M	1	
	C250	CK73HB1E103K	CHIP C	0.010UF 25V K	1	
	C251	CE32BQJ221M	CHIP EL	220UF 6.3V M	1	M1,M2,X1,M3,M4,X2
	C252	CK73HB1E103K	CHIP C	0.010UF 25V K	1	
	C253	CK73HB1A104K	CHIP C	0.10UF 10V K	1	

MODEL	MARK	MODEL	MARK	MODEL	MARK	MODEL	MARK
DNN990HD	K0	DNN9330BT	M1	DNN9330BTM	M2	DNN9330BT	X1
DNN9230DAB	E1	DNX890HD	K1	DNX7330BT	M3	DNX7330BTM	M4
DNX7330BT	X2	DNX7230DAB	E2	DNX7700BT	R1		

Safe	Symbol No.	Parts No.	Parts Name	Description	QTY	Local
	C254	CK73HB1E103K	CHIP C	0.010UF 25V K	1	
	C255	CK73HB1E103K	CHIP C	0.010UF 25V K	1	
	C256	CK73GB1A105K	CHIP C	1.0UF 10V K	1	
	C257	CC73HCH1H470J	CHIP C	47PF 50V J	1	
	C258	CK73FB1C106K	CHIP C	10UF 16V K	1	
	C259	CK73HB1E103K	CHIP C	0.010UF 25V K	1	E1,E2
	C260	CK73HB1E103K	CHIP C	0.010UF 25V K	1	E1,E2
	C261	CK73HB1E103K	CHIP C	0.010UF 25V K	1	
	C263	CK73HB1A104K	CHIP C	0.10UF 10V K	1	
	C264	CK73HB1E103K	CHIP C	0.010UF 25V K	1	
	C265	CK73HB1H102K	CHIP C	1000PF 50V K	1	
	C266	CK73HB1E103K	CHIP C	0.010UF 25V K	1	
	C401	CK73HB1H102K	CHIP C	1000PF 50V K	1	
	C403	CK73HB1A104K	CHIP C	0.10UF 10V K	1	
	C404	CK73HB1A104K	CHIP C	0.10UF 10V K	1	
	C405	CK73GB0J106M	CHIP C	10UF 6.3V M	1	
	C406	CK73GB0J106M	CHIP C	10UF 6.3V M	1	
	C407	CK73GB0J106M	CHIP C	10UF 6.3V M	1	
	C408	CK73GB0J106M	CHIP C	10UF 6.3V M	1	
	C409	CK73GB1A105K	CHIP C	1.0UF 10V K	1	
	C410	CK73HB1C473K	CHIP C	0.047UF 16V K	1	
	C411	CK73HB1H222K	CHIP C	2200PF 50V K	1	
	C412	CK73HB1H222K	CHIP C	2200PF 50V K	1	
	C413	CK73HB1H222K	CHIP C	2200PF 50V K	1	
	C414	CK73HB1H222K	CHIP C	2200PF 50V K	1	
	C415	CK73HB1A104K	CHIP C	0.10UF 10V K	1	
	C416	CK73GB0J106M	CHIP C	10UF 6.3V M	1	K1,M3,M4,X2,E2,R1
	C417	CK73GB0J106M	CHIP C	10UF 6.3V M	1	K1,M3,M4,X2,E2,R1
	C418	CC73HCH1H221J	CHIP C	220PF 50V J	1	
	C419	CK73HB1H222K	CHIP C	2200PF 50V K	1	K1,M3,M4,X2,E2,R1
	C420	CK73HB1H222K	CHIP C	2200PF 50V K	1	K1,M3,M4,X2,E2,R1
	C421	CK73GB0J475K	CHIP C	4.7UF 6.3V K	1	
	C422	CK73HB0J105K	CHIP C	1.0UF 6.3V K	1	
	C423	CK73HB0J105K	CHIP C	1.0UF 6.3V K	1	
	C424	CK73GB0J475K	CHIP C	4.7UF 6.3V K	1	
	C425	CK73GB0J475K	CHIP C	4.7UF 6.3V K	1	
	C426	CK73HB1H222K	CHIP C	2200PF 50V K	1	K1,M3,M4,X2,E2,R1
	C427	CK73HB1H222K	CHIP C	2200PF 50V K	1	K1,M3,M4,X2,E2,R1
	C428	CK73HB0J105K	CHIP C	1.0UF 6.3V K	1	
	C429	CK73GB0J475K	CHIP C	4.7UF 6.3V K	1	
	C430	CK73HB1A104K	CHIP C	0.10UF 10V K	1	K1,M3,M4,X2,E2,R1
	C431	CK73GB0J106M	CHIP C	10UF 6.3V M	1	K1,M3,M4,X2,E2,R1
	C432	CK73GB0J106M	CHIP C	10UF 6.3V M	1	K1,M3,M4,X2,E2,R1
	C433	CK73GB0J475K	CHIP C	4.7UF 6.3V K	1	
	C434	CK73GB0J475K	CHIP C	4.7UF 6.3V K	1	
	C435	CK73GB0J475K	CHIP C	4.7UF 6.3V K	1	
	C436	CK73HB0J105K	CHIP C	1.0UF 6.3V K	1	
	C500	CK73GB1H473K	CHIP C	0.047UF 50V K	1	K0,K1,R1
	C501	CK73GB1E105K	CHIP C	1.0UF 25V K	1	K0,K1,R1
	C502	CE32BQQJ221M	CHIP EL	220UF 6.3V M	1	K0,M1,M2,X1,E1,K1,R1
	C503	CK73GB0J225K	CHIP C	2.2UF 6.3V K	1	
	C506	CK73HB1E103K	CHIP C	0.010UF 25V K	1	
	C507	CE32BQQJ221M	CHIP EL	220UF 6.3V M	1	
	C508	CK73FB1C106K	CHIP C	10UF 16V K	1	
	C509	CK73HB1A104K	CHIP C	0.10UF 10V K	1	
	C510	CK73FB1C106K	CHIP C	10UF 16V K	1	
	C511	CK73FB1C106K	CHIP C	10UF 16V K	1	K0,M1,M2,X1,E1,K1,R1
	C514	CK73HB1A104K	CHIP C	0.10UF 10V K	1	
	C515	CK73HB1A104K	CHIP C	0.10UF 10V K	1	
	C560	CK73GB0J106M	CHIP C	10UF 6.3V M	1	
	C561	CK73HB1A104K	CHIP C	0.10UF 10V K	1	
	C582	CK73EB0J476M	CHIP C	47UF 6.3V M	1	
	C583	CK73HB1A104K	CHIP C	0.10UF 10V K	1	
	C584	CK73GB0J106M	CHIP C	10UF 6.3V M	1	
	C629	CK73GB1H104K	CHIP C	0.10UF 50V K	1	M1,M2,X1,M3,M4,X2
	C630	CK73GB1H104K	CHIP C	0.10UF 50V K	1	M1,M2,X1,M3,M4,X2
	C631	CK73GB1H104K	CHIP C	0.10UF 50V K	1	M1,M2,X1,M3,M4,X2
	C632	CK73GB1A105K	CHIP C	1.0UF 10V K	1	K0,M1,M2,X1,K1,M3,M4,X2
	C633	CK73GB1A105K	CHIP C	1.0UF 10V K	1	K0,M1,M2,X1,K1,M3,M4,X2
	C634	CK73GB1A105K	CHIP C	1.0UF 10V K	1	K0,M1,M2,X1,K1,M3,M4,X2
	C636	CK73GB1H103K	CHIP C	0.010UF 50V K	1	M1,M2,X1,M3,M4,X2
	C637	CK73GB1H103K	CHIP C	0.010UF 50V K	1	M1,M2,X1,M3,M4,X2
	C638	CK73GB1H103K	CHIP C	0.010UF 50V K	1	K0,K1
	C650	CK73GB0J106M	CHIP C	10UF 6.3V M	1	
	C651	CK73HB0J105K	CHIP C	1.0UF 6.3V K	1	
	C652	CK73HB1A104K	CHIP C	0.10UF 10V K	1	
	C653	CK73HB0J105K	CHIP C	1.0UF 6.3V K	1	
	C654	CK73HB1H102K	CHIP C	1000PF 50V K	1	
	C655	CK73HB1H102K	CHIP C	1000PF 50V K	1	
	C656	CC73HCH1H101J	CHIP C	100PF 50V J	1	
	C657	CK73HB1E103K	CHIP C	0.010UF 25V K	1	
	C658	CK73GB0J106M	CHIP C	10UF 6.3V M	1	
	C659	CK73FB0J226M	CHIP C	22UF M	1	
	C660	CK73GB1C224K	CHIP C	0.22UF 16V K	1	
	C661	CK73HB1A104K	CHIP C	0.10UF 10V K	1	
	C662	CC73HCH1H070D	CHIP C	7.0PF 50V D	1	
	C707	CK73FB0J226M	CHIP C	22UF M	1	
	C708	CK73HB0J105K	CHIP C	1.0UF 6.3V K	1	K0,E1,K1,E2,R1

MODEL	MARK	MODEL	MARK	MODEL	MARK	MODEL	MARK
DNN990HD	K0	DNN9330BT	M1	DNN9330BTM	M2	DNN9330BT	X1
DNN9230DAB	E1	DNX890HD	K1	DNX7330BT	M3	DNX7330BTM	M4
DNX7330BT	X2	DNX7230DAB	E2	DNX7700BT	R1		

Safe	Symbol No.	Parts No.	Parts Name	Description	QTY	Local
	C709	CK73FB0J226M	CHIP C	22UF M	1	
	C710	CK73FB0J226M	CHIP C	22UF M	1	
	C711	CK73HB0J105K	CHIP C	1.0UF 6.3V K	1	M1,M2,X1,M3,M4,X2
	C712	CK73HB0J105K	CHIP C	1.0UF 6.3V K	1	
	C713	CK73HB0J105K	CHIP C	1.0UF 6.3V K	1	
	C714	CK73HB0J105K	CHIP C	1.0UF 6.3V K	1	
	C715	CK73HB0J105K	CHIP C	1.0UF 6.3V K	1	
	C717	CK73HB0J105K	CHIP C	1.0UF 6.3V K	1	K0,M1,M2,X1,E1,K1,R1
	C718	CK73HB0J105K	CHIP C	1.0UF 6.3V K	1	
	C719	CK73HB0J105K	CHIP C	1.0UF 6.3V K	1	
	C720	CK73HB1A104K	CHIP C	0.10UF 10V K	1	
	C721	CK73FB0J226M	CHIP C	22UF M	1	
	C722	CE32BQ0J221M	CHIP EL	220UF 6.3V M	1	
	C723	CE32CC0J331M	CHIP EL	330UF 6.3V M	1	
	C724	CK73FB0J226M	CHIP C	22UF M	1	
	C725	CK73HB0J105K	CHIP C	1.0UF 6.3V K	1	M3,M4,X2,E2
	C750	CK73HB1E103K	CHIP C	0.010UF 25V K	1	
	C751	CK73HB1A104K	CHIP C	0.10UF 10V K	1	
	C752	CK73HB1A104K	CHIP C	0.10UF 10V K	1	
	C753	CK73HB1A104K	CHIP C	0.10UF 10V K	1	
	C754	CK73HB1E103K	CHIP C	0.010UF 25V K	1	
	C755	CK73HB1A104K	CHIP C	0.10UF 10V K	1	
	C756	CK73HB1A104K	CHIP C	0.10UF 10V K	1	
	C757	CK73HB1A104K	CHIP C	0.10UF 10V K	1	
	C758	CK73GB0J106M	CHIP C	10UF 6.3V M	1	
	C759	CK73GB0J106M	CHIP C	10UF 6.3V M	1	
	C762	CK73HB1A104K	CHIP C	0.10UF 10V K	1	
	C763	CK73HB1A104K	CHIP C	0.10UF 10V K	1	
	C900	CK73HB0J105K	CHIP C	1.0UF 6.3V K	1	K0,M1,M2,X1,E1
	C901	CK73GB1A105K	CHIP C	1.0UF 10V K	1	K0,M1,M2,X1,E1
	C902	CK73GB1A105K	CHIP C	1.0UF 10V K	1	K0,M1,M2,X1,E1
	C903	CK73GB1A105K	CHIP C	1.0UF 10V K	1	K0,M1,M2,X1,E1
	C904	CK73GB1A105K	CHIP C	1.0UF 10V K	1	K0,M1,M2,X1,E1
	C905	CC73HCH1H470J	CHIP C	47PF 50V J	1	K0,M1,M2,X1,E1
	C906	CC73HCH1H470J	CHIP C	47PF 50V J	1	K0,M1,M2,X1,E1
	C909	CC73HCH1H470J	CHIP C	47PF 50V J	1	K0,M1,M2,X1,E1
	C910	CC73HCH1H470J	CHIP C	47PF 50V J	1	K0,M1,M2,X1,E1
	C911	CK73HB1A104K	CHIP C	0.10UF 10V K	1	K0,M1,M2,X1,E1
	C912	CK73FB1C106K	CHIP C	10UF 16V K	1	K0,M1,M2,X1,E1
	C913	CK73HB0J105K	CHIP C	1.0UF 6.3V K	1	K0,M1,M2,X1,E1
	C914	CK73GB0J106M	CHIP C	10UF 6.3V M	1	K0,M1,M2,X1,E1
	C915	CK73HB1A104K	CHIP C	0.10UF 10V K	1	K0,M1,M2,X1,E1
	C916	CK73HB0J105K	CHIP C	1.0UF 6.3V K	1	K0,M1,M2,X1,E1
	C917	CK73HB0J105K	CHIP C	1.0UF 6.3V K	1	K0,M1,M2,X1,E1
	C918	CK73GB0J106M	CHIP C	10UF 6.3V M	1	K0,M1,M2,X1,E1
	C919	CK73HB1A104K	CHIP C	0.10UF 10V K	1	K0,M1,M2,X1,E1
	C920	CK73HB0J105K	CHIP C	1.0UF 6.3V K	1	K0,M1,M2,X1,E1
	C921	CK73HB0J105K	CHIP C	1.0UF 6.3V K	1	K0,M1,M2,X1,E1
	C922	CE32CC0J331M	CHIP EL	330UF 6.3V M	1	K0,M1,M2,X1,E1
	C923	CK73HB1A104K	CHIP C	0.10UF 10V K	1	K1,M3,M4,X2,E2,R1
	C924	CK73HB1A104K	CHIP C	0.10UF 10V K	1	K1,M3,M4,X2,E2,R1
	C925	CK73HB0J105K	CHIP C	1.0UF 6.3V K	1	K1,M3,M4,X2,E2,R1
	C926	CK73HB0J105K	CHIP C	1.0UF 6.3V K	1	K1,M3,M4,X2,E2,R1
	R1	RK73HB1J823J	CHIP R	82K J 1/16W	1	
	R2	RK73HB1J103J	CHIP R	10K J 1/16W	1	
	R3	RK73HB1J224J	CHIP R	220K J 1/16W	1	
	R4	RK73HB1J333J	CHIP R	33K J 1/16W	1	
	R5	RK73HB1J274J	CHIP R	270K J 1/16W	1	
	R6	RK73HH1J104D	CHIP R	100K D 1/16W	1	
	R7	RK73HH1J513D	CHIP R	51K D 1/16W	1	
	R8	RK73HH1J333D	CHIP R	33K D 1/16W	1	
	R9	RK73HB1J224J	CHIP R	220K J 1/16W	1	
	R10	RK73HB1J224J	CHIP R	220K J 1/16W	1	
	R11	RK73HH1J822D	CHIP R	8.2K D 1/16W	1	
	R12	RK73HH1J104D	CHIP R	100K D 1/16W	1	
	R13	RK73HH1J913D	CHIP R	91K D 1/16W	1	
	R14	RK73HB1J224J	CHIP R	220K J 1/16W	1	
	R15	RK73HB1J224J	CHIP R	220K J 1/16W	1	
	R16	RK73HH1J304D	CHIP R	300K D 1/16W	1	
	R17	RK73HH1J304D	CHIP R	300K D 1/16W	1	
	R18	RK73HB1J473J	CHIP R	47K J 1/16W	1	
	R19	RK73HB1J473J	CHIP R	47K J 1/16W	1	
	R20	RK73HB1J221J	CHIP R	220 J 1/16W	1	
	R21	RK73HB1J823J	CHIP R	82K J 1/16W	1	
	R22	RK73HB1J103J	CHIP R	10K J 1/16W	1	
	R23	RK73HB1J224J	CHIP R	220K J 1/16W	1	
	R24	RK73HB1J333J	CHIP R	33K J 1/16W	1	
	R25	RK73HB1J274J	CHIP R	270K J 1/16W	1	
	R26	RK73GB2A152J	CHIP R	1.5K J 1/10W	1	
	R27	RK73HB1J123J	CHIP R	12K J 1/16W	1	
	R28	RK73HB1J154J	CHIP R	150K J 1/16W	1	
	R29	RK73HB1J104J	CHIP R	100K J 1/16W	1	
	R30	RK73HH1J563D	CHIP R	56K D 1/16W	1	
	R32	RK73HB1J274J	CHIP R	270K J 1/16W	1	
	R33	RK73HB1J113J	CHIP R	11K J 1/16W	1	
	R34	RK73HB1J163J	CHIP R	16K J 1/16W	1	
	R36	RK73HH1J333D	CHIP R	33K D 1/16W	1	
	R37	RK73HH1J203D	CHIP R	20K D 1/16W	1	
	R38	RK73HH1J223D	CHIP R	22K D 1/16W	1	
	R39	RK73HB1J000J	CHIP R	0.0 J 1/16W	1	
	R40	RK73HB1J101J	CHIP R	100 J 1/16W	1	
	R41	RK73GB2A223J	CHIP R	22K J 1/10W	1	

MODEL	MARK	MODEL	MARK	MODEL	MARK	MODEL	MARK
DNN990HD	K0	DNN9330BT	M1	DNN9330BTM	M2	DNN9330BT	X1
DNN9230DAB	E1	DNX890HD	K1	DNX7330BT	M3	DNX7330BTM	M4
DNX7330BT	X2	DNX7230DAB	E2	DNX7700BT	R1		

Safe	Symbol No.	Parts No.	Parts Name	Description	QTY	Local
R42		RK73HB1J101J	CHIP R	100 J 1/16W	1	
R43		RK73HB1J000J	CHIP R	0.0 J 1/16W	1	
R44		RK73HB1J472J	CHIP R	4.7K J 1/16W	1	
R45		RK73HB1J473J	CHIP R	47K J 1/16W	1	
R46		RK73EB2E111J	CHIP R	110 J 1/4W	1	
R48		RK73HB1J333J	CHIP R	33K J 1/16W	1	
R49		RK73HB1J562J	CHIP R	5.6K J 1/16W	1	
R50		RK73HB1J000J	CHIP R	0.0 J 1/16W	1	
R51		R92-5244-05	CHIP R	0.039 1/3W	1	
R52		R92-5244-05	CHIP R	0.039 1/3W	1	
R53		R92-5244-05	CHIP R	0.039 1/3W	1	
R54		RK73HB1J000J	CHIP R	0.0 J 1/16W	1	
R55		RK73PB2H160J	CHIP R	16 J 1/2W	1	
R56		RK73HH1J303D	CHIP R	30K D 1/16W	1	
R57		RK73HB1J122J	CHIP R	1.2K J 1/16W	1	
R58		RK73HH1J682D	CHIP R	6.8K D 1/16W	1	
R59		RK73HH1J511D	CHIP R	510 D 1/16W	1	
R60		RK73HB1J332J	CHIP R	3.3K J 1/16W	1	
R61		RK73HB1J102J	CHIP R	1.0K J 1/16W	1	
R62		RK73HB1J224J	CHIP R	220K J 1/16W	1	
R63		RK73HB1J101J	CHIP R	100 J 1/16W	1	
R64		RK73HB1J101J	CHIP R	100 J 1/16W	1	
R65		RK73HB1J101J	CHIP R	100 J 1/16W	1	
R66		RK73HB1J101J	CHIP R	100 J 1/16W	1	
R71		RK73HB1J101J	CHIP R	100 J 1/16W	1	
R72		RK73HB1J470J	CHIP R	47 J 1/16W	1	
R73		RK73HH1J124D	CHIP R	120K D 1/16W	1	
R74		RK73HH1J223D	CHIP R	22K D 1/16W	1	
R75		RK73HH1J272D	CHIP R	2.7K D 1/16W	1	
R76		RK73HB1J103J	CHIP R	10K J 1/16W	1	
R77		RK73PB2H160J	CHIP R	16 J 1/2W	1	
R78		RK73HB1J103J	CHIP R	10K J 1/16W	1	
R79		RK73HB1J471J	CHIP R	470 J 1/16W	1	
R80		RK73HB1J104J	CHIP R	100K J 1/16W	1	
R81		RK73HH1J473D	CHIP R	47K D 1/16W	1	
R82		RK73HH1J393D	CHIP R	39K D 1/16W	1	
R83		RK73HB1J473J	CHIP R	47K J 1/16W	1	
R91		R92-5244-05	CHIP R	0.039 1/3W	1	
R92		R92-5244-05	CHIP R	0.039 1/3W	1	
R93		RK73HB1J000J	CHIP R	0.0 J 1/16W	1	
R94		RK73PB2H160J	CHIP R	16 J 1/2W	1	
R95		RK73HH1J303D	CHIP R	30K D 1/16W	1	
R96		RK73HB1J122J	CHIP R	1.2K J 1/16W	1	
R97		RK73HH1J753D	CHIP R	75K D 1/16W	1	
R98		RK73HH1J103D	CHIP R	10K D 1/16W	1	
R99		RK73HB1J332J	CHIP R	3.3K J 1/16W	1	
R102		RK73HH1J113D	CHIP R	11K D 1/16W	1	
R103		RK73HH1J104D	CHIP R	100K D 1/16W	1	
R104		RK73HH1J683D	CHIP R	68K D 1/16W	1	
R105		RK73HH1J334D	CHIP R	330K D 1/16W	1	
R106		RK73HH1J334D	CHIP R	330K D 1/16W	1	
R107		RK73HB1J224J	CHIP R	220K J 1/16W	1	
R108		RK73HB1J224J	CHIP R	220K J 1/16W	1	
R111		RK73HB1J102J	CHIP R	1.0K J 1/16W	1	
R112		RK73HB1J103J	CHIP R	10K J 1/16W	1	
R114		RK73HB1J102J	CHIP R	1.0K J 1/16W	1	
R115		RK73HB1J223J	CHIP R	22K J 1/16W	1	
R122		RK73HB1J223J	CHIP R	22K J 1/16W	1	
R123		RK73GB2A201J	CHIP R	200 J 1/10W	1	
R125		RK73HB1J473J	CHIP R	47K J 1/16W	1	
R131		RK73GB2A000J	CHIP R	0.0 J 1/10W 1608	1	
R132		RK73GB2A000J	CHIP R	0.0 J 1/10W 1608	1	
R133		RK73GB2A000J	CHIP R	0.0 J 1/10W 1608	1	
R134		RK73GB2A000J	CHIP R	0.0 J 1/10W 1608	1	
R135		RK73GB2A000J	CHIP R	0.0 J 1/10W 1608	1	K0,M1,M2,X1,E1,K1,R1
R136		RK73HB1J000J	CHIP R	0.0 J 1/16W	1	
R137		RK73HB1J000J	CHIP R	0.0 J 1/16W	1	
R138		RK73GB2A000J	CHIP R	0.0 J 1/10W 1608	1	
R139		RK73HB1J100J	CHIP R	10 J 1/16W	1	
R141		RK73GB2A000J	CHIP R	0.0 J 1/10W 1608	1	
R142		RK73HB1J104J	CHIP R	100K J 1/16W	1	
R143		RK73HB1J333J	CHIP R	33K J 1/16W	1	
R144		RK73HB1J224J	CHIP R	220K J 1/16W	1	
R145		RK73HB1J473J	CHIP R	47K J 1/16W	1	
R146		RK73HB1J102J	CHIP R	1.0K J 1/16W	1	
R151		RK73GB2A000J	CHIP R	0.0 J 1/10W 1608	1	
R152		RK73GB2A000J	CHIP R	0.0 J 1/10W 1608	1	
R153		RK73GB2A000J	CHIP R	0.0 J 1/10W 1608	1	
R154		RK73GB2A000J	CHIP R	0.0 J 1/10W 1608	1	
R161		RK73GB2A000J	CHIP R	0.0 J 1/10W 1608	1	
R162		RK73GB2A000J	CHIP R	0.0 J 1/10W 1608	1	
R163		RK73GB2A000J	CHIP R	0.0 J 1/10W 1608	1	
R177		RK73GB2A000J	CHIP R	0.0 J 1/10W 1608	1	
R178		RK73GB2A000J	CHIP R	0.0 J 1/10W 1608	1	
R179		RK73GB2A000J	CHIP R	0.0 J 1/10W 1608	1	
R180		RK73HB1J000J	CHIP R	0.0 J 1/16W	1	
R181		RK73GB2A000J	CHIP R	0.0 J 1/10W 1608	1	
R184		RK73GB2A000J	CHIP R	0.0 J 1/10W 1608	1	
R190		RK73HB1J334J	CHIP R	330K J 1/16W	1	
R191		RK73GB2A2R2J	CHIP R	2.2 J 1/10W	1	
R192		RK73HB1J000J	CHIP R	0.0 J 1/16W	1	

MODEL	MARK	MODEL	MARK	MODEL	MARK	MODEL	MARK
DNN990HD	K0	DNN9330BT	M1	DNN9330BTM	M2	DNN9330BT	X1
DNN9230DAB	E1	DNX890HD	K1	DNX7330BT	M3	DNX7330BTM	M4
DNX7330BT	X2	DNX7230DAB	E2	DNX7700BT	R1		

Safe	Symbol No.	Parts No.	Parts Name	Description	QTY	Local
	R193	RK73HB1J000J	CHIP R	0.0 J 1/16W	1	
	R194	RK73HB1J000J	CHIP R	0.0 J 1/16W	1	
	R195	RK73HB1J000J	CHIP R	0.0 J 1/16W	1	
	R196	RK73HH1J164D	CHIP R	160K D 1/16W	1	
	R197	RK73HH1J273D	CHIP R	27K D 1/16W	1	
	R198	RK73HH1J393D	CHIP R	39K D 1/16W	1	
	R199	RK73HH1J102D	CHIP R	1.0K D 1/16W	1	
	R200	RK73HB1J272J	CHIP R	2.7K J 1/16W	1	
	R201	RK73HB1J272J	CHIP R	2.7K J 1/16W	1	
	R202	RK73HB1J471J	CHIP R	470 J 1/16W	1	
	R203	RK73HB1J102J	CHIP R	1.0K J 1/16W	1	
	R204	RK73HB1J223J	CHIP R	22K J 1/16W	1	
	R205	RK73HB1J000J	CHIP R	0.0 J 1/16W	1	K0,M1,M2,X1,E1
	R206	RK73HB1J000J	CHIP R	0.0 J 1/16W	1	K0,M1,M2,X1,E1
	R207	RK73HB1J102J	CHIP R	1.0K J 1/16W	1	
	R208	RK73HB1J000J	CHIP R	0.0 J 1/16W	1	K1,M3,M4,X2,E2,R1
	R209	RK73HB1J223J	CHIP R	22K J 1/16W	1	
	R210	RK73HB1J471J	CHIP R	470 J 1/16W	1	
	R211	RK73HB1J000J	CHIP R	0.0 J 1/16W	1	K1,M3,M4,X2,E2,R1
	R212	RK73HB1J104J	CHIP R	100K J 1/16W	1	
	R213	RK73HB1J680J	CHIP R	68 J 1/16W	1	
	R214	RK73HB1J101J	CHIP R	100 J 1/16W	1	
	R215	RK73HB1J101J	CHIP R	100 J 1/16W	1	
	R216	RK73HB1J470J	CHIP R	47 J 1/16W	1	K0,E1,K1,R1
	R217	RK73HB1J104J	CHIP R	100K J 1/16W	1	
	R219	RK73HB1J680J	CHIP R	68 J 1/16W	1	K0,M1,M2,X1,K1,M3,M4,X2,R1,E1,E2
	R219	RK73HB1J511J	CHIP R	510 J 1/16W	1	
	R223	RK73HB1J101J	CHIP R	100 J 1/16W	1	
	R224	RK73HB1J101J	CHIP R	100 J 1/16W	1	
	R225	RK73HB1J101J	CHIP R	100 J 1/16W	1	
	R226	RK73HB1J101J	CHIP R	100 J 1/16W	1	
	R227	RK73HB1J101J	CHIP R	100 J 1/16W	1	
	R228	RK73HB1J101J	CHIP R	100 J 1/16W	1	
	R229	RK73HB1J910J	CHIP R	91 J 1/16W	1	K0,E1,K1,R1
	R231	RK73HB1J472J	CHIP R	4.7K J 1/16W	1	
	R233	RK73HB1J101J	CHIP R	100 J 1/16W	1	
	R234	RK73HB1J101J	CHIP R	100 J 1/16W	1	
	R235	RK73HB1J472J	CHIP R	4.7K J 1/16W	1	
	R237	RK73HB1J331J	CHIP R	330 J 1/16W	1	K0,E1,K1,R1
	R238	RK73HB1J472J	CHIP R	4.7K J 1/16W	1	
	R239	RK73HB1J472J	CHIP R	4.7K J 1/16W	1	
	R240	RK73HB1J101J	CHIP R	100 J 1/16W	1	
	R241	RK73HB1J101J	CHIP R	100 J 1/16W	1	
	R242	RK73HB1J104J	CHIP R	100K J 1/16W	1	
	R243	RK73HB1J222J	CHIP R	2.2K J 1/16W	1	
	R244	RK73HB1J222J	CHIP R	2.2K J 1/16W	1	
	R247	RK73HB1J473J	CHIP R	47K J 1/16W	1	
	R248	RK73HB1J103J	CHIP R	10K J 1/16W	1	
	R249	RK73HB1J103J	CHIP R	10K J 1/16W	1	
	R250	RK73HB1J101J	CHIP R	100 J 1/16W	1	
	R251	RK73HB1J101J	CHIP R	100 J 1/16W	1	
	R252	RK73HB1J101J	CHIP R	100 J 1/16W	1	
	R253	RK73HB1J104J	CHIP R	100K J 1/16W	1	
	R254	RK73HB1J272J	CHIP R	2.7K J 1/16W	1	
	R255	RK73HB1J101J	CHIP R	100 J 1/16W	1	
	R256	RK73HB1J101J	CHIP R	100 J 1/16W	1	
	R257	RK73HB1J101J	CHIP R	100 J 1/16W	1	
	R258	RK73HB1J101J	CHIP R	100 J 1/16W	1	
	R259	RK73HB1J101J	CHIP R	100 J 1/16W	1	
	R260	RK73HB1J473J	CHIP R	47K J 1/16W	1	
	R261	RK73HB1J101J	CHIP R	100 J 1/16W	1	
	R262	RK73HB1J101J	CHIP R	100 J 1/16W	1	
	R263	RK73HB1J103J	CHIP R	10K J 1/16W	1	
	R264	RK73HB1J223J	CHIP R	22K J 1/16W	1	
	R265	RK73HB1J101J	CHIP R	100 J 1/16W	1	
	R266	RK73HB1J101J	CHIP R	100 J 1/16W	1	M1,M2,X1,M3,M4,X2
	R267	RK73HB1J101J	CHIP R	100 J 1/16W	1	
	R268	RK73HB1J101J	CHIP R	100 J 1/16W	1	M1,M2,X1,M3,M4,X2
	R269	RK73HB1J473J	CHIP R	47K J 1/16W	1	
	R271	RK73HB1J101J	CHIP R	100 J 1/16W	1	
	R272	RK73HB1J471J	CHIP R	470 J 1/16W	1	
	R273	RK73HB1J000J	CHIP R	0.0 J 1/16W	1	
	R274	RK73HH1J104D	CHIP R	100K D 1/16W	1	K0,M1,M2,X1,E1,M4
	R275	RK73HH1J104D	CHIP R	100K D 1/16W	1	
	R276	RK73GB2A123J	CHIP R	12K J 1/10W	1	
	R277	RK73GB2A123J	CHIP R	12K J 1/10W	1	
	R278	RK73HB1J101J	CHIP R	100 J 1/16W	1	M1,M2,X1,M3,M4,X2
	R279	RK73HB1J103J	CHIP R	10K J 1/16W	1	
	R280	RK73HB1J101J	CHIP R	100 J 1/16W	1	
	R281	RK73HH1J104D	CHIP R	100K D 1/16W	1	
	R282	RK73HB1J101J	CHIP R	100 J 1/16W	1	
	R283	RK73HB1J101J	CHIP R	100 J 1/16W	1	
	R284	RK73HB1J101J	CHIP R	100 J 1/16W	1	
	R285	RK73HB1J101J	CHIP R	100 J 1/16W	1	
	R286	RK73HB1J102J	CHIP R	1.0K J 1/16W	1	M1,M2,X1,M3,M4,X2
	R287	RK73HB1J101J	CHIP R	100 J 1/16W	1	
	R288	RK73HB1J101J	CHIP R	100 J 1/16W	1	
	R289	RK73HB1J102J	CHIP R	1.0K J 1/16W	1	M1,M2,X1,M3,M4,X2
	R290	RK73HB1J104J	CHIP R	100K J 1/16W	1	M1,M2,X1,M3,M4,X2
	R291	RK73HB1J473J	CHIP R	47K J 1/16W	1	M1,M2,X1,M3,M4,X2
	R293	RK73HB1J101J	CHIP R	100 J 1/16W	1	

MODEL	MARK	MODEL	MARK	MODEL	MARK	MODEL	MARK
DNN990HD	K0	DNN9330BT	M1	DNN9330BTM	M2	DNN9330BT	X1
DNN9230DAB	E1	DNX890HD	K1	DNX7330BT	M3	DNX7330BTM	M4
DNX7330BT	X2	DNX7230DAB	E2	DNX7700BT	R1		

Safe	Symbol No.	Parts No.	Parts Name	Description	QTY	Local
	R294	RK73HB1J104J	CHIP R	100K J 1/16W	1	M1,M2,X1,M3,M4,X2
	R295	RK73HB1J101J	CHIP R	100 J 1/16W	1	
	R296	RK73HB1J101J	CHIP R	100 J 1/16W	1	
	R297	RK73HB1J473J	CHIP R	47K J 1/16W	1	
	R298	RK73HB1J101J	CHIP R	100 J 1/16W	1	
	R300	RK73HB1J473J	CHIP R	47K J 1/16W	1	
	R301	RK73HB1J154J	CHIP R	150K J 1/16W	1	
	R304	RK73HB1J102J	CHIP R	1.0K J 1/16W	1	
	R306	RK73HH1J564D	CHIP R	560K D 1/16W	1	M3,M4,X2,E2,R1
	R308	RK73HH1J753D	CHIP R	75K D 1/16W	1	M1,M2,M3,M4
	R308	RK73HH1J393D	CHIP R	39K D 1/16W	1	X1,X2
	R308	RK73HH1J244D	CHIP R	240K D 1/16W	1	E1,E2
	R308	RK73HH1J564D	CHIP R	560K D 1/16W	1	R1
	R309	RK73HB1J473J	CHIP R	47K J 1/16W	1	
	R310	RK73HB1J104J	CHIP R	100K J 1/16W	1	E1,E2
	R311	RK73HH1J393D	CHIP R	39K D 1/16W	1	M2
	R311	RK73HH1J104D	CHIP R	100K D 1/16W	1	K1,M3,X2,E2,R1
	R311	RK73HH1J134D	CHIP R	130K D 1/16W	1	M4
	R312	RK73HB1J104J	CHIP R	100K J 1/16W	1	M1,M2,X1,M3,M4,X2
	R313	RK73HB1J104J	CHIP R	100K J 1/16W	1	M1,M2,X1,M3,M4,X2
	R314	RK73HB1J101J	CHIP R	100 J 1/16W	1	
	R315	RK73HB1J101J	CHIP R	100 J 1/16W	1	M1,M2,X1,M3,M4,X2
	R316	RK73HB1J101J	CHIP R	100 J 1/16W	1	K0,M1,M2,X1,E1,M3,M4,X2
	R318	RK73HB1J102J	CHIP R	1.0K J 1/16W	1	M1,M2,X1,M3,M4,X2
	R319	RK73HB1J101J	CHIP R	100 J 1/16W	1	
	R320	RK73HB1J104J	CHIP R	100K J 1/16W	1	K0,E1
	R321	RK73HB1J220J	CHIP R	22 J 1/16W	1	
	R322	RK73HB1J102J	CHIP R	1.0K J 1/16W	1	M1,M2,X1,M3,M4,X2
	R323	RK73HB1J220J	CHIP R	22 J 1/16W	1	
	R324	RK73HB1J104J	CHIP R	100K J 1/16W	1	
	R325	RK73HB1J100J	CHIP R	10 J 1/16W	1	
	R326	RK73HB1J473J	CHIP R	47K J 1/16W	1	M1,M2,X1,M3,M4,X2
	R327	RK73HB1J101J	CHIP R	100 J 1/16W	1	
	R328	RK73HB1J101J	CHIP R	100 J 1/16W	1	
	R329	RK73HB1J101J	CHIP R	100 J 1/16W	1	
	R330	RK73HB1J561J	CHIP R	560 J 1/16W	1	
	R331	RK73HB1J101J	CHIP R	100 J 1/16W	1	
	R332	RK73HB1J101J	CHIP R	100 J 1/16W	1	
	R333	RK73HB1J561J	CHIP R	560 J 1/16W	1	
	R334	RK73HB1J101J	CHIP R	100 J 1/16W	1	
	R335	RK73HB1J100J	CHIP R	10 J 1/16W	1	
	R336	RK73HB1J100J	CHIP R	10 J 1/16W	1	
	R337	RK73HB1J100J	CHIP R	10 J 1/16W	1	
	R338	RK73HB1J101J	CHIP R	100 J 1/16W	1	
	R339	RK73HB1J101J	CHIP R	100 J 1/16W	1	
	R340	RK73HB1J000J	CHIP R	0.0 J 1/16W	1	
	R341	RK73HB1J100J	CHIP R	10 J 1/16W	1	
	R342	RK73HB1J000J	CHIP R	0.0 J 1/16W	1	
	R343	RK73HB1J472J	CHIP R	4.7K J 1/16W	1	
	R344	RK73HH1J470D	CHIP R	47 D 1/16W	1	
	R345	RK73HH1J470D	CHIP R	47 D 1/16W	1	
	R346	RK73HH1J470D	CHIP R	47 D 1/16W	1	
	R347	RK73HH1J100D	CHIP R	10 D 1/16W	1	
	R348	RK73HH1J100D	CHIP R	10 D 1/16W	1	
	R349	RK73HB1J000J	CHIP R	0.0 J 1/16W	1	
	R350	RK73HB1J100J	CHIP R	10 J 1/16W	1	E1,E2
	R351	RK73HB1J101J	CHIP R	100 J 1/16W	1	
	R352	RK73HB1J470J	CHIP R	47 J 1/16W	1	
	R353	RK73HB1J101J	CHIP R	100 J 1/16W	1	E1,E2
	R354	RK73HB1J470J	CHIP R	47 J 1/16W	1	
	R355	RK73HB1J101J	CHIP R	100 J 1/16W	1	
	R356	RK73HB1J101J	CHIP R	100 J 1/16W	1	E1,E2
	R357	RK73HB1J104J	CHIP R	100K J 1/16W	1	
	R358	RK73HB1J473J	CHIP R	47K J 1/16W	1	
	R359	RK73HB1J104J	CHIP R	100K J 1/16W	1	K0,K1,R1
	R360	RK73HB1J473J	CHIP R	47K J 1/16W	1	
	R361	RK73HB1J104J	CHIP R	100K J 1/16W	1	
	R365	RK73HB1J473J	CHIP R	47K J 1/16W	1	
	R366	RK73HB1J101J	CHIP R	100 J 1/16W	1	
	R367	RK73HB1J101J	CHIP R	100 J 1/16W	1	M1,M2,X1,M3,M4,X2
	R368	RK73HB1J101J	CHIP R	100 J 1/16W	1	M1,M2,X1,M3,M4,X2
	R369	RK73HB1J101J	CHIP R	100 J 1/16W	1	M1,M2,X1,M3,M4,X2
	R370	RK73HB1J101J	CHIP R	100 J 1/16W	1	
	R371	RK73HB1J101J	CHIP R	100 J 1/16W	1	
	R372	RK73HB1J473J	CHIP R	47K J 1/16W	1	
	R373	RK73HB1J104J	CHIP R	100K J 1/16W	1	M1,M2,X1,M3,M4,X2
	R374	RK73HB1J104J	CHIP R	100K J 1/16W	1	M1,M2,X1,M3,M4,X2
	R375	RK73HB1J104J	CHIP R	100K J 1/16W	1	
	R379	RK73HB1J473J	CHIP R	47K J 1/16W	1	
	R380	RK73HB1J473J	CHIP R	47K J 1/16W	1	K0,K1
	R383	RK73HB1J473J	CHIP R	47K J 1/16W	1	
	R384	RK73HB1J272J	CHIP R	2.7K J 1/16W	1	
	R385	RK73HB1J272J	CHIP R	2.7K J 1/16W	1	
	R386	RK73HB1J272J	CHIP R	2.7K J 1/16W	1	
	R387	RK73HB1J272J	CHIP R	2.7K J 1/16W	1	
	R388	RK73HB1J101J	CHIP R	100 J 1/16W	1	
	R389	RK73HB1J000J	CHIP R	0.0 J 1/16W	1	
	R390	RK73HB1J101J	CHIP R	100 J 1/16W	1	K0,M1,M2,X1,E1,E2
	R392	RK73HB1J101J	CHIP R	100 J 1/16W	1	K0,K1
	R400	RK73HB1J272J	CHIP R	2.7K J 1/16W	1	

MODEL	MARK	MODEL	MARK	MODEL	MARK	MODEL	MARK
DNN990HD	K0	DNN9330BT	M1	DNN9330BTM	M2	DNN9330BT	X1
DNN9230DAB	E1	DNX890HD	K1	DNX7330BT	M3	DNX7330BTM	M4
DNX7330BT	X2	DNX7230DAB	E2	DNX7700BT	R1		

Safe	Symbol No.	Parts No.	Parts Name	Description	QTY	Local
	R401	RK73HB1J000J	CHIP R	0.0 J 1/16W	1	K0,E1,K1,E2
	R402	RK73HB1J000J	CHIP R	0.0 J 1/16W	1	K0,E1,K1,E2
	R405	RK73HB1J223J	CHIP R	22K J 1/16W	1	
	R406	RK73HB1J223J	CHIP R	22K J 1/16W	1	
	R407	RK73HB1J000J	CHIP R	0.0 J 1/16W	1	
	R408	RK73HB1J223J	CHIP R	22K J 1/16W	1	
	R409	RK73HB1J223J	CHIP R	22K J 1/16W	1	
	R410	RK73HB1J220J	CHIP R	22 J 1/16W	1	
	R411	RK73HB1J220J	CHIP R	22 J 1/16W	1	
	R412	RK73HB1J220J	CHIP R	22 J 1/16W	1	
	R413	RK73HB1J220J	CHIP R	22 J 1/16W	1	
	R414	RK73HB1J220J	CHIP R	22 J 1/16W	1	
	R415	RK73HB1J220J	CHIP R	22 J 1/16W	1	
	R416	RK73HB1J220J	CHIP R	22 J 1/16W	1	
	R417	RK73HB1J220J	CHIP R	22 J 1/16W	1	
	R418	RK73HB1J220J	CHIP R	22 J 1/16W	1	
	R419	RK73HB1J220J	CHIP R	22 J 1/16W	1	
	R420	RK73HB1J000J	CHIP R	0.0 J 1/16W	1	K1,M3,M4,X2,E2,R1
	R421	RK73HB1J272J	CHIP R	2.7K J 1/16W	1	K1,M3,M4,X2,E2,R1
	R422	RK73GB2A2R2J	CHIP R	2.2 J 1/10W	1	
	R423	RK73GB2A2R2J	CHIP R	2.2 J 1/10W	1	
	R424	RK73GB2A221J	CHIP R	220 J 1/10W	1	
	R425	RK73GB2A221J	CHIP R	220 J 1/10W	1	
	R426	RK73HB1J221J	CHIP R	220 J 1/16W	1	
	R427	RK73GB2A221J	CHIP R	220 J 1/10W	1	
	R428	RK73GB2A221J	CHIP R	220 J 1/10W	1	
	R429	RK73GB2A2R2J	CHIP R	2.2 J 1/10W	1	
	R430	RK73HB1J000J	CHIP R	0.0 J 1/16W	1	
	R431	RK73HB1J000J	CHIP R	0.0 J 1/16W	1	
	R432	RK73HB1J000J	CHIP R	0.0 J 1/16W	1	
	R433	RK73HB1J473J	CHIP R	47K J 1/16W	1	K1,M3,M4,X2,E2,R1
	R434	RK73HB1J473J	CHIP R	47K J 1/16W	1	K1,M3,M4,X2,E2,R1
	R437	RK73HB1J101J	CHIP R	100 J 1/16W	1	
	R438	RK73FB2B101J	CHIP R	100 J 1/8W	1	
	R439	RK73FB2B101J	CHIP R	100 J 1/8W	1	
	R440	RK73HB1J101J	CHIP R	100 J 1/16W	1	
	R441	RK73HB1J101J	CHIP R	100 J 1/16W	1	
	R442	RK73HB1J101J	CHIP R	100 J 1/16W	1	
	R443	RK73HB1J473J	CHIP R	47K J 1/16W	1	
	R444	RK73HB1J221J	CHIP R	220 J 1/16W	1	K1,M3,M4,X2,E2,R1
	R445	RK73HB1J221J	CHIP R	220 J 1/16W	1	K1,M3,M4,X2,E2,R1
	R446	RK73HB1J221J	CHIP R	220 J 1/16W	1	K1,M3,M4,X2,E2,R1
	R447	RK73HB1J221J	CHIP R	220 J 1/16W	1	K1,M3,M4,X2,E2,R1
	R448	RK73HB1J222J	CHIP R	2.2K J 1/16W	1	
	R451	RK73HB1J000J	CHIP R	0.0 J 1/16W	1	
	R452	RK73GB2A2R2J	CHIP R	2.2 J 1/10W	1	K1,M3,M4,X2,E2,R1
	R453	RK73HB1J220J	CHIP R	22 J 1/16W	1	
	R454	RK73HB1J220J	CHIP R	22 J 1/16W	1	
	R455	RK73HB1J223J	CHIP R	22K J 1/16W	1	K1,M3,M4,X2,E2,R1
	R456	RK73HB1J104J	CHIP R	100K J 1/16W	1	
	R457	RK73HB1J223J	CHIP R	22K J 1/16W	1	K1,M3,M4,X2,E2,R1
	R458	RK73HB1J220J	CHIP R	22 J 1/16W	1	K1,M3,M4,X2,E2,R1
	R459	RK73HB1J220J	CHIP R	22 J 1/16W	1	K1,M3,M4,X2,E2,R1
	R460	RK73HB1J220J	CHIP R	22 J 1/16W	1	K1,M3,M4,X2,E2,R1
	R461	RK73HB1J220J	CHIP R	22 J 1/16W	1	K1,M3,M4,X2,E2,R1
	R462	RK73HB1J220J	CHIP R	22 J 1/16W	1	K1,M3,M4,X2,E2,R1
	R464	RK73HB1J560J	CHIP R	56 J 1/16W	1	
	R465	RK73HB1J560J	CHIP R	56 J 1/16W	1	
	R466	RK73HB1J560J	CHIP R	56 J 1/16W	1	
	R467	RK73HB1J220J	CHIP R	22 J 1/16W	1	
	R500	RK73HB1J272J	CHIP R	2.7K J 1/16W	1	K0,K1,R1
	R501	RK73HB1J223J	CHIP R	22K J 1/16W	1	K0,K1,R1
	R502	RK73EB2E152J	CHIP R	1.5K J 1/4W	1	K0,K1,R1
	R503	RK73HB1J621J	CHIP R	620 J 1/16W	1	K0,K1,R1
	R504	RK73GB2A242J	CHIP R	2.4K J 1/10W	1	K0,K1,R1
	R505	RK73PB2H2R0J	CHIP R	2.0 J 1/2W	1	K0,K1,R1
	R506	RK73PB2H2R0J	CHIP R	2.0 J 1/2W	1	K0,K1,R1
	R507	RK73HB1J473J	CHIP R	47K J 1/16W	1	K0,K1,R1
	R508	RK73HB1J124J	CHIP R	120K J 1/16W	1	K0,K1,R1
	R509	RK73HB1J472J	CHIP R	4.7K J 1/16W	1	K0,K1,R1
	R510	RK73HB1J103J	CHIP R	10K J 1/16W	1	K0,K1,R1
	R511	RK73HB1J222J	CHIP R	2.2K J 1/16W	1	K0,M1,M2,X1,E1,K1,R1
	R512	RK73HB1J471J	CHIP R	470 J 1/16W	1	
	R513	RK73HB1J473J	CHIP R	47K J 1/16W	1	
	R514	RK73HB1J223J	CHIP R	22K J 1/16W	1	
	R515	RK73HB1J473J	CHIP R	47K J 1/16W	1	
	R516	RK73HB1J473J	CHIP R	47K J 1/16W	1	
	R517	RK73HB1J223J	CHIP R	22K J 1/16W	1	
	R518	RK73GB2A272J	CHIP R	2.7K J 1/10W	1	
	R519	RK73HB1J102J	CHIP R	1.0K J 1/16W	1	
	R520	RK73HB1J222J	CHIP R	2.2K J 1/16W	1	
	R521	RK73HB1J473J	CHIP R	47K J 1/16W	1	
	R522	RK73HB1J272J	CHIP R	2.7K J 1/16W	1	
	R523	RK73HB1J272J	CHIP R	2.7K J 1/16W	1	
	R560	RK73HB1J220J	CHIP R	22 J 1/16W	1	K0,M1,M2,X1,E1,K1,R1
	R561	RK73HB1J220J	CHIP R	22 J 1/16W	1	
	R586	RK73HB1J101J	CHIP R	100 J 1/16W	1	
	R587	RK73HB1J101J	CHIP R	100 J 1/16W	1	
	R588	RK73HB1J101J	CHIP R	100 J 1/16W	1	
	R589	RK73HB1J101J	CHIP R	100 J 1/16W	1	
	R590	RK73HB1J101J	CHIP R	100 J 1/16W	1	
	R591	RK73HB1J470J	CHIP R	47 J 1/16W	1	

MODEL	MARK	MODEL	MARK	MODEL	MARK	MODEL	MARK
DNN990HD	K0	DNN9330BT	M1	DNN9330BTM	M2	DNN9330BT	X1
DNN9230DAB	E1	DNX890HD	K1	DNX7330BT	M3	DNX7330BTM	M4
DNX7330BT	X2	DNX7230DAB	E2	DNX7700BT	R1		

Safe	Symbol No.	Parts No.	Parts Name	Description	QTY	Local
	R597	RK73HB1J223J	CHIP R	22K J 1/16W	1	
	R601	RK73HH1J750D	CHIP R	75 D 1/16W	1	
	R640	RK73HB1J200J	CHIP R	20 J 1/16W	1	K0,M1,M2,X1,K1,M3,M4,X2
	R642	RK73HB1J100J	CHIP R	10 J 1/16W	1	K0,M1,M2,X1,K1,M3,M4,X2
	R644	RK73HB1J200J	CHIP R	20 J 1/16W	1	K0,M1,M2,X1,K1,M3,M4,X2
	R646	RK73HB1J102J	CHIP R	1.0K J 1/16W	1	M1,M2,X1,M3,M4,X2
	R647	RK73HB1J101J	CHIP R	100 J 1/16W	1	M1,M2,X1,M3,M4,X2
	R648	RK73HB1J102J	CHIP R	1.0K J 1/16W	1	M1,M2,X1,M3,M4,X2
	R649	RK73HB1J101J	CHIP R	100 J 1/16W	1	M1,M2,X1,M3,M4,X2
	R650	RK73HB1J101J	CHIP R	100 J 1/16W	1	M1,M2,X1,M3,M4,X2
	R651	RK73HB1J101J	CHIP R	100 J 1/16W	1	M1,M2,X1,M3,M4,X2
	R652	RK73HB1J241J	CHIP R	240 J 1/16W	1	M1,M2,X1,M3,M4,X2
	R653	RK73HB1J102J	CHIP R	1.0K J 1/16W	1	M1,M2,X1,M3,M4,X2
	R654	RK73HB1J000J	CHIP R	0.0 J 1/16W	1	
	R655	RK73HB1J100J	CHIP R	10 J 1/16W	1	M1,M2,X1,M3,M4,X2
	R656	RK73HB1J750J	CHIP R	75 J 1/16W	1	M1,M2,X1,M3,M4,X2
	R658	RK73HB1J000J	CHIP R	0.0 J 1/16W	1	M1,M2,X1,M3,M4,X2
	R659	RK73HB1J220J	CHIP R	22 J 1/16W	1	K0,K1
	R660	RK73HB1J220J	CHIP R	22 J 1/16W	1	K0,K1
	R661	RK73HB1J100J	CHIP R	10 J 1/16W	1	
	R662	RK73HB1J620J	CHIP R	62 J 1/16W	1	
	R663	RK73HB1J4R7J	CHIP R	4.7 J 1/16W	1	
	R664	RK73HB1J100J	CHIP R	10 J 1/16W	1	
	R665	RK73HB1J223J	CHIP R	22K J 1/16W	1	
	R666	RK73HB1J4R7J	CHIP R	4.7 J 1/16W	1	
	R667	RK73HB1J223J	CHIP R	22K J 1/16W	1	
	R668	RK73HB1J100J	CHIP R	10 J 1/16W	1	
	R669	RK73HB1J472J	CHIP R	4.7K J 1/16W	1	
	R670	RK73HB1J472J	CHIP R	4.7K J 1/16W	1	
	R671	RK73GB2A111J	CHIP R	110 J 1/10W	1	
	R672	RK73HB1J472J	CHIP R	4.7K J 1/16W	1	
	R673	RK73HB1J182J	CHIP R	1.8K J 1/16W	1	
	R674	RK73HB1J103J	CHIP R	10K J 1/16W	1	
	R675	RK73HB1J243J	CHIP R	24K J 1/16W	1	
	R676	RK73HB1J103J	CHIP R	10K J 1/16W	1	
	R677	RK73HB1J473J	CHIP R	47K J 1/16W	1	
	R678	RK73HB1J473J	CHIP R	47K J 1/16W	1	
	R679	RK73HB1J102J	CHIP R	1.0K J 1/16W	1	
	R680	RK73HB1J100J	CHIP R	10 J 1/16W	1	
	R683	RK73HB1J100J	CHIP R	10 J 1/16W	1	K0,M1,M2,X1,E1,K1,R1
	R684	RK73HB1J303J	CHIP R	30K J 1/16W	1	
	R685	RK73HB1J272J	CHIP R	2.7K J 1/16W	1	
	R686	RK73HB1J100J	CHIP R	10 J 1/16W	1	
	R687	RK73GB2A000J	CHIP R	0.0 J 1/10W 1608	1	
	R688	RK73HB1J303J	CHIP R	30K J 1/16W	1	
	R689	RK73HH1J750D	CHIP R	75 D 1/16W	1	
	R690	RK73HH1J750D	CHIP R	75 D 1/16W	1	K0,E1,K1,R1
	R691	RK73HB1J100J	CHIP R	10 J 1/16W	1	
	R692	RK73HB1J4R7J	CHIP R	4.7 J 1/16W	1	
	R693	RK73HB1J100J	CHIP R	10 J 1/16W	1	
	R694	RK73HB1J750J	CHIP R	75 J 1/16W	1	
	R695	RK73HB1J100J	CHIP R	10 J 1/16W	1	
	R696	RK73HB1J223J	CHIP R	22K J 1/16W	1	
	R698	RK73HB1J100J	CHIP R	10 J 1/16W	1	
	R699	RK73HB1J300J	CHIP R	30 J 1/16W	1	
	R700	RK73HB1J000J	CHIP R	0.0 J 1/16W	1	
	R701	RK73HB1J000J	CHIP R	0.0 J 1/16W	1	K0,M1,M2,X1,E1,K1,R1
	R702	RK73HB1J000J	CHIP R	0.0 J 1/16W	1	
	R704	RK73HB1J000J	CHIP R	0.0 J 1/16W	1	
	R705	RK73HB1J000J	CHIP R	0.0 J 1/16W	1	M1,M2,X1,M3,M4,X2
	R706	RK73HB1J000J	CHIP R	0.0 J 1/16W	1	
	R707	RK73HB1J222J	CHIP R	2.2K J 1/16W	1	
	R708	RK73HB1J000J	CHIP R	0.0 J 1/16W	1	
	R709	RK73HB1J103J	CHIP R	10K J 1/16W	1	
	R711	RK73HB1J000J	CHIP R	0.0 J 1/16W	1	
	R712	RK73HB1J000J	CHIP R	0.0 J 1/16W	1	
	R717	RK73HH1J201D	CHIP R	200 D 1/16W	1	
	R718	RK73HB1J000J	CHIP R	0.0 J 1/16W	1	
	R719	RK73HB1J100J	CHIP R	10 J 1/16W	1	K0,K1
	R900	RK73GB2A000J	CHIP R	0.0 J 1/10W 1608	1	K0,M1,M2,X1,E1
	R901	RK73HB1J223J	CHIP R	22K J 1/16W	1	K0,M1,M2,X1,E1
	R902	RK73HB1J223J	CHIP R	22K J 1/16W	1	K0,M1,M2,X1,E1
	R903	RK73HB1J223J	CHIP R	22K J 1/16W	1	K0,M1,M2,X1,E1
	R904	RK73HB1J223J	CHIP R	22K J 1/16W	1	K0,M1,M2,X1,E1
	R905	RK73HB1J223J	CHIP R	22K J 1/16W	1	K0,M1,M2,X1,E1
	R906	RK73HB1J223J	CHIP R	22K J 1/16W	1	K0,M1,M2,X1,E1
	R907	RK73HB1J223J	CHIP R	22K J 1/16W	1	K0,M1,M2,X1,E1
	R908	RK73HB1J223J	CHIP R	22K J 1/16W	1	K0,M1,M2,X1,E1
	R909	RK73GB2A2R2J	CHIP R	2.2 J 1/10W	1	K0,M1,M2,X1,E1
	R910	RK73HB1J222J	CHIP R	2.2K J 1/16W	1	K0,M1,M2,X1,E1
	R911	RK73GB2A000J	CHIP R	0.0 J 1/10W 1608	1	K0,M1,M2,X1,E1
	R912	RK73HB1J101J	CHIP R	100 J 1/16W	1	K0,M1,M2,X1,E1
	R913	RK73HB1J101J	CHIP R	100 J 1/16W	1	K0,M1,M2,X1,E1
	R914	RK73HB1J102J	CHIP R	1.0K J 1/16W	1	K0,M1,M2,X1,E1
	R914	RK73HB1J101J	CHIP R	100 J 1/16W	1	K1,M3,M4,X2,E2,R1
	R915	RK73HB1J101J	CHIP R	100 J 1/16W	1	K0,M1,M2,X1,E1
	R917	RK73HB1J102J	CHIP R	1.0K J 1/16W	1	K0,M1,M2,X1,E1
	R918	RK73HB1J101J	CHIP R	100 J 1/16W	1	K0,M1,M2,X1,E1

MODEL	MARK	MODEL	MARK	MODEL	MARK	MODEL	MARK
DNN990HD	K0	DNN9330BT	M1	DNN9330BTM	M2	DNN9330BT	X1
DNN9230DAB	E1	DNX890HD	K1	DNX7330BT	M3	DNX7330BTM	M4
DNX7330BT	X2	DNX7230DAB	E2	DNX7700BT	R1		

Safe	Symbol No.	Parts No.	Parts Name	Description	QTY	Local
	R919	RK73HB1J272J	CHIP R	2.7K J 1/16W	1	K0,M1,M2,X1,E1
	R920	RK73HB1J102J	CHIP R	1.0K J 1/16W	1	K0,M1,M2,X1,E1
	R921	RK73HB1J101J	CHIP R	100 J 1/16W	1	K0,M1,M2,X1,E1
	R922	RK73HB1J272J	CHIP R	2.7K J 1/16W	1	K0,M1,M2,X1,E1
	R923	RK73HB1J000J	CHIP R	0.0 J 1/16W	1	K1,M3,M4,X2,E2,R1
	R924	RK73HB1J104J	CHIP R	100K J 1/16W	1	K1,M3,M4,X2,E2,R1
	R927	RK73HB1J101J	CHIP R	100 J 1/16W	1	K1,M3,M4,X2,E2,R1
	R928	RK73HB1J101J	CHIP R	100 J 1/16W	1	K1,M3,M4,X2,E2,R1
	R929	RK73HB1J101J	CHIP R	100 J 1/16W	1	K1,M3,M4,X2,E2,R1
	R930	RK73HB1J223J	CHIP R	22K J 1/16W	1	K1,M3,M4,X2,E2,R1
	R933	RK73HB1J101J	CHIP R	100 J 1/16W	1	K1,M3,M4,X2,E2,R1
	R934	RK73HB1J101J	CHIP R	100 J 1/16W	1	K1,M3,M4,X2,E2,R1
	R935	RK73HB1J101J	CHIP R	100 J 1/16W	1	K1,M3,M4,X2,E2,R1
	R936	RK73HB1J101J	CHIP R	100 J 1/16W	1	K1,M3,M4,X2,E2,R1
	R937	RK73HB1J223J	CHIP R	22K J 1/16W	1	K1,M3,M4,X2,E2,R1
	R938	RK73HB1J104J	CHIP R	100K J 1/16W	1	K1,M3,M4,X2,E2,R1
	R940	RK73HB1J104J	CHIP R	100K J 1/16W	1	K1,M3,M4,X2,E2,R1
	R942	RK73HB1J222J	CHIP R	2.2K J 1/16W	1	K0,M1,M2,X1,E1
	R943	RK73GB2A000J	CHIP R	0.0 J 1/10W 1608	1	K1,M3,M4,X2,E2,R1
	R945	RK73HB1J103J	CHIP R	10K J 1/16W	1	K1,M3,M4,X2,E2,R1
	R946	RK73HB1J472J	CHIP R	4.7K J 1/16W	1	K0,M1,M2,X1,E1
	L21	L33-2611-05	CHOKO COIL	4*4 5.1UH	1	
	L33	L33-2600-05	CHOKO COIL	10U 8.3*8.3	1	
	L52	L33-3208-05	CHOKO COIL	10UH 7.6*7.6	1	
	L72	L33-3208-05	CHOKO COIL	10UH 7.6*7.6	1	
	L92	L33-2600-05	CHOKO COIL	10U 8.3*8.3	1	
	L200	L33-2457-05	SMALL FIXED INDUCTOR	10UH	1	
	L201	L33-2603-05	CHOKO COIL	22U 5.0*5.0	1	
	L202	L92-0332-05	CHIP FERRITE		1	
	L203	L33-2457-05	SMALL FIXED INDUCTOR	10UH	1	
	L204	L92-0332-05	CHIP FERRITE		1	K0,M1,M2,X1,K1,M3,M4,X2
	L560	L41-2775-41	SMALL FIXED INDUCTOR	27NH/1005/8	1	
	L650	L41-4792-62	SMALL FIXED INDUCTOR	4.7U	1	
	L700	L41-1001-62	SMALL FIXED INDUCTOR	10U	1	
	L900	L92-0373-05	CHIP FERRITE		1	K0,M1,M2,X1,E1
	L901	L92-0373-05	CHIP FERRITE		1	K0,M1,M2,X1,E1
	L903	L92-0373-05	CHIP FERRITE		1	K1,M3,M4,X2,E2,R1
	A560	W02-3768-05	ELECTRIC CIRCUIT MODULE(GPS)	24P/44	1	
	A901	W02-5523-15	ELECTRIC CIRCUIT MODULE(BT)	FC6000 HOR_INT-A	1	K0,M1,M2,X1,E1
	A902	W02-5568-05	ELECTRIC CIRCUIT MODULE(BT)	BTR602	1	K1,M3,M4,X2,E2,R1
	CN101	E41-3401-05	FLAT CABLE CONNECTOR	60PIN AU	1	
	CN161	E41-1682-05	PIN ASSY	B02B-PH-K-S(LF)(SN)	1	
	CN201	E41-3405-05	FLAT CABLE CONNECTOR	50PIN AU	1	
	CN301	E41-3415-05	PIN ASSY	9827B-70Y955	1	
	CN401	E41-3406-05	FLAT CABLE CONNECTOR	60PIN FFC/FPC CONECT	1	
	CN500	E41-3414-05	PIN ASSY	4PIN	1	
	CN501	E41-3395-05	FLAT CABLE CONNECTOR	0.5/40P/DOWN/AU	1	
	CN581	E41-3353-05	FLAT CABLE CONNECTOR	FFC 14PIN	1	
	CN601	E41-3416-05	PIN ASSY	9827S-70Y930	1	
	CN620	E41-3418-05	PIN ASSY	4PIN	1	K0,K1
	CN650	E41-2964-05	PIN ASSY		1	
	CN801	E41-2264-05	PIN ASSY	4P 1MM SIDE	1	
	CN900	E41-3325-05	PIN ASSY	24R-JMCS-G-B-TF(NSA)	1	K0,M1,M2,X1,E1
	F200	F53-0487-05	FUSE	1.6A	1	
	F201	F53-0487-05	FUSE	1.6A	1	
	J400	E11-0625-05	PHONE JACK	LGY6502-0900	1	
	J560	E58-1145-05	RECTANGULAR RECEPTACLE	GT5	1	
	J581	E68-0826-15	JACK(OTHERS)	SD CARD SLOT	1	
	J620	E58-1034-05	RECTANGULAR RECEPTACLE	20PIN BLACK	1	M1,M2,X1,M3,M4,X2
	J621	E11-0625-05	PHONE JACK	LGY6502-0900	1	K0,K1
	J650	E11-0676-05	3.5D PHONE JACK		1	
	X200	L77-3846-05	CRYSTAL RESONATOR	12MHZ	1	
	X201	L77-2921-15	CRYSTAL RESONATOR	32.768KHZ 12.5PF	1	
DAUGHTER UNIT (X89-3140-1x) <X89>						
	IC1	-	IC(MICROPROCESSOR)	557BALL BGA	1	
	IC3	TC7SG86FU-F	IC(MOS-IC)		1	
	IC4	THS8136PHP	IC(MOS-IC)	VIDEO DAC0-70DEG	1	
	IC5	TC7SG04FU-F	IC(MOS-IC)		1	
	IC8	XC6223B331P-G	IC(ANALOGUE)	3.3V	1	
	IC101	MST7901SD-I	IC(MOS-IC)	VIDEO DECODER	1	
	IC102	W10-0856-08	IC(M-STAR VIDEO ROM)	1MB SPI SOP-8PIN	1	
	IC300	USB2513BIAEZG	IC(MOS-IC)	VER B 3PORT	1	K0,M1,M2,X1,E1
	IC400	XC6220B121P-G	IC(ANALOGUE)	1.2V 1A	1	
	IC500	W10-0854-08	IC(DNN TELECHIPS ROM)	256MB 8BIT	1	K0,M1,M2,X1,E1

MODEL	MARK	MODEL	MARK	MODEL	MARK	MODEL	MARK
DNN990HD	K0	DNN9330BT	M1	DNN9330BTM	M2	DNN9330BT	X1
DNN9230DAB	E1	DNX890HD	K1	DNX7330BT	M3	DNX7330BTM	M4
DNX7330BT	X2	DNX7230DAB	E2	DNX7700BT	R1		

Safe	Symbol No.	Parts No.	Parts Name	Description	QTY	Local
	IC500	W10-0855-08	IC(DNN TELECHIPS ROM)	2GB 8BIT 32NANO	1	K1,M3,M4,X2,E2,R1
	IC501	-	IC(DRAM)	2GBIT X8	1	
	IC502	-	IC(DRAM)	2GBIT X8	1	
	IC503	-	IC(DRAM)	2GBIT X8	1	
	IC504	-	IC(DRAM)	2GBIT X8	1	
	IC505	XC6223B331P-G	IC(ANALOGUE)	3.3V	1	
	IC506	XC6223B181P-G	IC(ANALOGUE)	1.8V	1	
	IC508	XC6220B181P-G	IC(ANALOGUE)	1.8V 1A	1	
	IC700	TC7W08FU-F	IC(MOS-IC)		1	
	IC903	BD2224G	IC(MOS-IC)		1	K0,M1,M2,X1,E1
	Q2	LSAR523EBFS8	TRANSISTOR		1	
	Q100	LTC014YEBFS8	TRANSISTOR		1	
	Q101	LTA014YEBFS8	TRANSISTOR		1	
	Q700	LTC014YEBFS8	TRANSISTOR		1	
	Q701	LTC014YEBFS8	TRANSISTOR		1	
	Q703	LSCR523EBFS8	TRANSISTOR		1	
	C1	CK73FB0J226M	CHIP C	22UF M	1	
	C2	CK73FB0J226M	CHIP C	22UF M	1	
	C4	CK73FB0J226M	CHIP C	22UF M	1	
	C5	CK73FB0J226M	CHIP C	22UF M	1	
	C13	CK73FB0J106K	CHIP C	10UF 6.3V K	1	
	C14	CK73HB1A104K	CHIP C	0.10UF 10V K	1	
	C23	CK73HB1A104K	CHIP C	0.10UF 10V K	1	
	C28	CK73HB1A104K	CHIP C	0.10UF 10V K	1	
	C33	CK73HB1A104K	CHIP C	0.10UF 10V K	1	
	C34	CK73HB1A104K	CHIP C	0.10UF 10V K	1	
	C38	CK73FB0J106K	CHIP C	10UF 6.3V K	1	
	C39	CK73HB1A104K	CHIP C	0.10UF 10V K	1	
	C50	CK73HB1A104K	CHIP C	0.10UF 10V K	1	
	C51	CK73HB1A104K	CHIP C	0.10UF 10V K	1	
	C55	CK73HB0J105K	CHIP C	1.0UF 6.3V K	1	
	C56	CK73HB0J105K	CHIP C	1.0UF 6.3V K	1	
	C71	CK73FB0J226M	CHIP C	22UF M	1	
	C101	CC73HCH1H080D	CHIP C	8.0PF 50V D	1	
	C102	CC73HCH1H120J	CHIP C	12PF 50V J	1	
	C103	CK73FB0J106K	CHIP C	10UF 6.3V K	1	
	C104	CK73FB0J226M	CHIP C	22UF M	1	
	C105	CK73HB1A104K	CHIP C	0.10UF 10V K	1	
	C106	CK73HB1A104K	CHIP C	0.10UF 10V K	1	
	C107	CK73HB1H102K	CHIP C	1000PF 50V K	1	
	C108	CK73HB1A104K	CHIP C	0.10UF 10V K	1	
	C109	CK73HB1A104K	CHIP C	0.10UF 10V K	1	
	C110	CK73HB1A104K	CHIP C	0.10UF 10V K	1	
	C111	CK73HB1A104K	CHIP C	0.10UF 10V K	1	
	C112	CK73HB1A104K	CHIP C	0.10UF 10V K	1	
	C113	CK73HB1A104K	CHIP C	0.10UF 10V K	1	
	C114	CK73HB1H102K	CHIP C	1000PF 50V K	1	
	C115	CK73FB0J106K	CHIP C	10UF 6.3V K	1	
	C116	CK73HB1H102K	CHIP C	1000PF 50V K	1	
	C117	CK73HB1A104K	CHIP C	0.10UF 10V K	1	
	C118	CK73HB1A104K	CHIP C	0.10UF 10V K	1	
	C119	CK73FB0J106K	CHIP C	10UF 6.3V K	1	
	C120	CK73HB1A104K	CHIP C	0.10UF 10V K	1	
	C121	CK73HB1A104K	CHIP C	0.10UF 10V K	1	
	C122	CK73HB1A104K	CHIP C	0.10UF 10V K	1	
	C130	CK73HB1A104K	CHIP C	0.10UF 10V K	1	
	C131	CK73HB1H102K	CHIP C	1000PF 50V K	1	
	C200	CK73HB1A104K	CHIP C	0.10UF 10V K	1	
	C201	CK73HB1A104K	CHIP C	0.10UF 10V K	1	
	C202	CK73HB1A104K	CHIP C	0.10UF 10V K	1	
	C203	CK73FB0J106K	CHIP C	10UF 6.3V K	1	
	C204	CK73HB1A104K	CHIP C	0.10UF 10V K	1	
	C205	CK73HB1A104K	CHIP C	0.10UF 10V K	1	
	C206	CK73HB1A104K	CHIP C	0.10UF 10V K	1	
	C207	CK73HB1E103K	CHIP C	0.010UF 25V K	1	
	C208	CK73FB0J106K	CHIP C	10UF 6.3V K	1	
	C209	CK73HB1A104K	CHIP C	0.10UF 10V K	1	
	C210	CK73HB1A104K	CHIP C	0.10UF 10V K	1	
	C211	CK73HB1A104K	CHIP C	0.10UF 10V K	1	
	C212	CK73HB1E103K	CHIP C	0.010UF 25V K	1	
	C213	CK73HB1A104K	CHIP C	0.10UF 10V K	1	
	C215	CK73HB1A104K	CHIP C	0.10UF 10V K	1	
	C216	CK73HB1A104K	CHIP C	0.10UF 10V K	1	
	C217	CK73FB0J106K	CHIP C	10UF 6.3V K	1	
	C218	CK73HB1A104K	CHIP C	0.10UF 10V K	1	
	C219	CK73HB1A104K	CHIP C	0.10UF 10V K	1	
	C220	CK73HB1A104K	CHIP C	0.10UF 10V K	1	
	C221	CK73HB1E103K	CHIP C	0.010UF 25V K	1	
	C222	CK73HB1A104K	CHIP C	0.10UF 10V K	1	
	C224	CK73HB1A104K	CHIP C	0.10UF 10V K	1	
	C225	CK73FB0J106K	CHIP C	10UF 6.3V K	1	
	C226	CK73HB1A104K	CHIP C	0.10UF 10V K	1	
	C227	CK73HB1A104K	CHIP C	0.10UF 10V K	1	
	C228	CK73HB1A104K	CHIP C	0.10UF 10V K	1	
	C229	CK73HB1E103K	CHIP C	0.010UF 25V K	1	
	C230	CK73HB1A104K	CHIP C	0.10UF 10V K	1	
	C232	CK73HB1A104K	CHIP C	0.10UF 10V K	1	
	C233	CK73HB1A104K	CHIP C	0.10UF 10V K	1	
	C234	CK73FB0J106K	CHIP C	10UF 6.3V K	1	
	C235	CK73HB1A104K	CHIP C	0.10UF 10V K	1	

MODEL	MARK	MODEL	MARK	MODEL	MARK	MODEL	MARK
DNN990HD	K0	DNN9330BT	M1	DNN9330BTM	M2	DNN9330BT	X1
DNN9230DAB	E1	DNX890HD	K1	DNX7330BT	M3	DNX7330BTM	M4
DNX7330BT	X2	DNX7230DAB	E2	DNX7700BT	R1		

Safe	Symbol No.	Parts No.	Parts Name	Description	QTY	Local
	C236	CK73HB1A104K	CHIP C	0.10UF 10V K	1	
	C237	CK73HB1A104K	CHIP C	0.10UF 10V K	1	
	C238	CK73HB1E103K	CHIP C	0.010UF 25V K	1	
	C239	CK73HB1A104K	CHIP C	0.10UF 10V K	1	
	C241	CK73HB1A104K	CHIP C	0.10UF 10V K	1	
	C242	CK73HB1A104K	CHIP C	0.10UF 10V K	1	
	C243	CK73HB1A104K	CHIP C	0.10UF 10V K	1	
	C244	CK73HB1A104K	CHIP C	0.10UF 10V K	1	
	C245	CK73FB0J106K	CHIP C	10UF 6.3V K	1	
	C246	CK73HB1A104K	CHIP C	0.10UF 10V K	1	
	C247	CK73HB1A104K	CHIP C	0.10UF 10V K	1	
	C248	CK73HB1A104K	CHIP C	0.10UF 10V K	1	
	C249	CK73HB1E103K	CHIP C	0.010UF 25V K	1	
	C250	CK73FB0J106K	CHIP C	10UF 6.3V K	1	
	C251	CK73HB1A104K	CHIP C	0.10UF 10V K	1	
	C252	CK73HB1A104K	CHIP C	0.10UF 10V K	1	
	C253	CK73HB1A104K	CHIP C	0.10UF 10V K	1	
	C254	CK73HB1E103K	CHIP C	0.010UF 25V K	1	
	C255	CK73HB1A104K	CHIP C	0.10UF 10V K	1	
	C256	CK73HB1A104K	CHIP C	0.10UF 10V K	1	
	C257	CK73HB1A104K	CHIP C	0.10UF 10V K	1	
	C258	CK73HB1A104K	CHIP C	0.10UF 10V K	1	
	C259	CK73HB1A104K	CHIP C	0.10UF 10V K	1	
	C260	CK73HB1A104K	CHIP C	0.10UF 10V K	1	
	C261	CK73HB1A104K	CHIP C	0.10UF 10V K	1	
	C262	CK73FB0J106K	CHIP C	10UF 6.3V K	1	
	C263	CK73HB1A104K	CHIP C	0.10UF 10V K	1	
	C264	CK73HB1A104K	CHIP C	0.10UF 10V K	1	
	C265	CK73HB1A104K	CHIP C	0.10UF 10V K	1	
	C266	CK73HB1E103K	CHIP C	0.010UF 25V K	1	
	C267	CK73HB1A104K	CHIP C	0.10UF 10V K	1	
	C268	CK73HB1A104K	CHIP C	0.10UF 10V K	1	
	C269	CK73FB0J106K	CHIP C	10UF 6.3V K	1	
	C270	CK73HB1A104K	CHIP C	0.10UF 10V K	1	
	C271	CK73HB1E103K	CHIP C	0.010UF 25V K	1	
	C273	CK73FB0J106K	CHIP C	10UF 6.3V K	1	
	C274	CK73FB0J106K	CHIP C	10UF 6.3V K	1	
	C275	CK73HB1A104K	CHIP C	0.10UF 10V K	1	
	C276	CK73HB1A104K	CHIP C	0.10UF 10V K	1	
	C277	CK73HB1E103K	CHIP C	0.010UF 25V K	1	
	C278	CK73HB1E103K	CHIP C	0.010UF 25V K	1	
	C279	CK73HB1A104K	CHIP C	0.10UF 10V K	1	
	C280	CK73HB1A104K	CHIP C	0.10UF 10V K	1	
	C281	CK73HB1A104K	CHIP C	0.10UF 10V K	1	
	C282	CK73HB1A104K	CHIP C	0.10UF 10V K	1	
	C283	CK73HB1A104K	CHIP C	0.10UF 10V K	1	
	C284	CK73HB1A104K	CHIP C	0.10UF 10V K	1	
	C285	CK73FB0J106K	CHIP C	10UF 6.3V K	1	
	C286	CK73HB1A104K	CHIP C	0.10UF 10V K	1	
	C287	CK73HB1A104K	CHIP C	0.10UF 10V K	1	
	C288	CK73HB1A104K	CHIP C	0.10UF 10V K	1	
	C289	CK73HB1E103K	CHIP C	0.010UF 25V K	1	
	C290	CK73HB1A104K	CHIP C	0.10UF 10V K	1	
	C291	CK73HB1A104K	CHIP C	0.10UF 10V K	1	
	C292	CK73FB0J106K	CHIP C	10UF 6.3V K	1	
	C293	CK73HB1A104K	CHIP C	0.10UF 10V K	1	
	C294	CK73HB1A104K	CHIP C	0.10UF 10V K	1	
	C295	CK73HB1A104K	CHIP C	0.10UF 10V K	1	
	C296	CK73HB1E103K	CHIP C	0.010UF 25V K	1	
	C297	CK73HB1A104K	CHIP C	0.10UF 10V K	1	
	C300	CC73HCH1H100D	CHIP C	10PF 50V D	1	K0,M1,M2,X1,E1
	C301	CC73HCH1H100D	CHIP C	10PF 50V D	1	K0,M1,M2,X1,E1
	C302	CK73HB1A104K	CHIP C	0.10UF 10V K	1	K0,M1,M2,X1,E1
	C303	CK73HB0J105K	CHIP C	1.0UF 6.3V K	1	K0,M1,M2,X1,E1
	C304	CK73HB1A104K	CHIP C	0.10UF 10V K	1	K0,M1,M2,X1,E1
	C305	CK73HB1A104K	CHIP C	0.10UF 10V K	1	K0,M1,M2,X1,E1
	C306	CK73HB1A104K	CHIP C	0.10UF 10V K	1	K0,M1,M2,X1,E1
	C307	CK73HB1A104K	CHIP C	0.10UF 10V K	1	K0,M1,M2,X1,E1
	C308	CK73HB1A104K	CHIP C	0.10UF 10V K	1	K0,M1,M2,X1,E1
	C309	CK73HB1A104K	CHIP C	0.10UF 10V K	1	K0,M1,M2,X1,E1
	C310	CK73HB0J105K	CHIP C	1.0UF 6.3V K	1	K0,M1,M2,X1,E1
	C311	CK73FB0J106K	CHIP C	10UF 6.3V K	1	K0,M1,M2,X1,E1
	C312	CK73HB1A104K	CHIP C	0.10UF 10V K	1	K0,M1,M2,X1,E1
	C313	CK73HB1A104K	CHIP C	0.10UF 10V K	1	K0,M1,M2,X1,E1
	C422	CK73HB0J105K	CHIP C	1.0UF 6.3V K	1	
	C423	CK73FB0J226M	CHIP C	22UF M	1	
	C430	CK73FB0J226M	CHIP C	22UF M	1	
	C431	CK73FB0J226M	CHIP C	22UF M	1	
	C450	CK73FB0J106K	CHIP C	10UF 6.3V K	1	
	C451	CK73FB0J106K	CHIP C	10UF 6.3V K	1	
	C500	CK73FB0J106K	CHIP C	10UF 6.3V K	1	
	C501	CK73HB1A104K	CHIP C	0.10UF 10V K	1	
	C502	CK73HB1A104K	CHIP C	0.10UF 10V K	1	
	C503	CK73HB1A104K	CHIP C	0.10UF 10V K	1	
	C504	CK73HB1A104K	CHIP C	0.10UF 10V K	1	
	C505	CK73HB1A104K	CHIP C	0.10UF 10V K	1	
	C508	CK73HB1E103K	CHIP C	0.010UF 25V K	1	
	C509	CK73HB1A104K	CHIP C	0.10UF 10V K	1	
	C510	CK73FB0J106K	CHIP C	10UF 6.3V K	1	
	C511	CK73HB1A104K	CHIP C	0.10UF 10V K	1	
	C512	CK73HB1A104K	CHIP C	0.10UF 10V K	1	
	C513	CK73HB1A104K	CHIP C	0.10UF 10V K	1	

MODEL	MARK	MODEL	MARK	MODEL	MARK	MODEL	MARK
DNN990HD	K0	DNN9330BT	M1	DNN9330BTM	M2	DNN9330BT	X1
DNN9230DAB	E1	DNX890HD	K1	DNX7330BT	M3	DNX7330BTM	M4
DNX7330BT	X2	DNX7230DAB	E2	DNX7700BT	R1		

Safe	Symbol No.	Parts No.	Parts Name	Description	QTY	Local
	C514	CK73HB1A104K	CHIP C	0.10UF 10V K	1	
	C515	CK73HB1A104K	CHIP C	0.10UF 10V K	1	
	C516	CK73HB0J105K	CHIP C	1.0UF 6.3V K	1	
	C517	CK73HB0J105K	CHIP C	1.0UF 6.3V K	1	
	C518	CK73HB1A104K	CHIP C	0.10UF 10V K	1	
	C519	CK73HB1A104K	CHIP C	0.10UF 10V K	1	
	C520	CK73HB0J105K	CHIP C	1.0UF 6.3V K	1	
	C521	CK73HB0J105K	CHIP C	1.0UF 6.3V K	1	
	C522	CK73HB0J105K	CHIP C	1.0UF 6.3V K	1	
	C523	CK73HB0J105K	CHIP C	1.0UF 6.3V K	1	
	C524	CK73HB1A104K	CHIP C	0.10UF 10V K	1	
	C525	CK73HB1A104K	CHIP C	0.10UF 10V K	1	
	C526	CK73HB0J105K	CHIP C	1.0UF 6.3V K	1	
	C527	CK73HB0J105K	CHIP C	1.0UF 6.3V K	1	
	C528	CK73HB0J105K	CHIP C	1.0UF 6.3V K	1	
	C529	CK73HB0J105K	CHIP C	1.0UF 6.3V K	1	
	C530	CK73HB0J105K	CHIP C	1.0UF 6.3V K	1	
	C531	CK73HB0J105K	CHIP C	1.0UF 6.3V K	1	
	C532	CK73HB1A104K	CHIP C	0.10UF 10V K	1	
	C533	CK73HB1A104K	CHIP C	0.10UF 10V K	1	
	C534	CK73HB0J105K	CHIP C	1.0UF 6.3V K	1	
	C535	CK73HB0J105K	CHIP C	1.0UF 6.3V K	1	
	C536	CK73HB1A104K	CHIP C	0.10UF 10V K	1	
	C537	CK73HB1A104K	CHIP C	0.10UF 10V K	1	
	C538	CK73HB0J105K	CHIP C	1.0UF 6.3V K	1	
	C539	CK73HB0J105K	CHIP C	1.0UF 6.3V K	1	
	C540	CK73HB1A104K	CHIP C	0.10UF 10V K	1	
	C541	CK73HB1A104K	CHIP C	0.10UF 10V K	1	
	C542	CK73HB0J105K	CHIP C	1.0UF 6.3V K	1	
	C543	CK73HB0J105K	CHIP C	1.0UF 6.3V K	1	
	C544	CK73HB1A104K	CHIP C	0.10UF 10V K	1	
	C545	CK73HB1A104K	CHIP C	0.10UF 10V K	1	
	C546	CK73HB0J105K	CHIP C	1.0UF 6.3V K	1	
	C547	CK73HB0J105K	CHIP C	1.0UF 6.3V K	1	
	C548	CK73HB0J105K	CHIP C	1.0UF 6.3V K	1	
	C549	CK73HB0J105K	CHIP C	1.0UF 6.3V K	1	
	C550	CK73FB0J106K	CHIP C	10UF 6.3V K	1	
	C551	CK73FB0J106K	CHIP C	10UF 6.3V K	1	
	C552	CK73EB0J476M	CHIP C	47UF 6.3V M	1	
	C553	CK73EB0J476M	CHIP C	47UF 6.3V M	1	
	C554	CK73EB0J476M	CHIP C	47UF 6.3V M	1	
	C555	CK73EB0J476M	CHIP C	47UF 6.3V M	1	
	C556	CK73HB1A104K	CHIP C	0.10UF 10V K	1	
	C557	CK73HB1A104K	CHIP C	0.10UF 10V K	1	
	C558	CK73HB0J105K	CHIP C	1.0UF 6.3V K	1	
	C559	CK73HB1A104K	CHIP C	0.10UF 10V K	1	
	C560	CK73HB1A104K	CHIP C	0.10UF 10V K	1	
	C561	CK73HB0J105K	CHIP C	1.0UF 6.3V K	1	
	C562	CK73HB1A104K	CHIP C	0.10UF 10V K	1	
	C563	CK73HB1A104K	CHIP C	0.10UF 10V K	1	
	C564	CK73HB0J105K	CHIP C	1.0UF 6.3V K	1	
	C565	CK73HB0J105K	CHIP C	1.0UF 6.3V K	1	
	C566	CK73HB0J105K	CHIP C	1.0UF 6.3V K	1	
	C567	CK73HB0J105K	CHIP C	1.0UF 6.3V K	1	
	C568	CK73HB0J105K	CHIP C	1.0UF 6.3V K	1	
	C569	CK73HB1A104K	CHIP C	0.10UF 10V K	1	
	C570	CK73HB1A104K	CHIP C	0.10UF 10V K	1	
	C571	CK73HB0J105K	CHIP C	1.0UF 6.3V K	1	
	C572	CK73HB0J105K	CHIP C	1.0UF 6.3V K	1	
	C573	CK73HB0J105K	CHIP C	1.0UF 6.3V K	1	
	C574	CK73HB0J105K	CHIP C	1.0UF 6.3V K	1	
	C575	CK73HB0J105K	CHIP C	1.0UF 6.3V K	1	
	C576	CK73HB1A104K	CHIP C	0.10UF 10V K	1	
	C577	CK73HB1A104K	CHIP C	0.10UF 10V K	1	
	C578	CK73HB0J105K	CHIP C	1.0UF 6.3V K	1	
	C579	CK73HB0J105K	CHIP C	1.0UF 6.3V K	1	
	C580	CK73HB1A104K	CHIP C	0.10UF 10V K	1	
	C581	CK73HB1A104K	CHIP C	0.10UF 10V K	1	
	C582	CK73HB0J105K	CHIP C	1.0UF 6.3V K	1	
	C583	CK73HB0J105K	CHIP C	1.0UF 6.3V K	1	
	C584	CK73HB0J105K	CHIP C	1.0UF 6.3V K	1	
	C585	CK73HB1A104K	CHIP C	0.10UF 10V K	1	
	C586	CK73HB1A104K	CHIP C	0.10UF 10V K	1	
	C587	CK73HB0J105K	CHIP C	1.0UF 6.3V K	1	
	C588	CK73HB1A104K	CHIP C	0.10UF 10V K	1	
	C589	CK73HB1A104K	CHIP C	0.10UF 10V K	1	
	C590	CK73HB0J105K	CHIP C	1.0UF 6.3V K	1	
	C591	CK73HB0J105K	CHIP C	1.0UF 6.3V K	1	
	C600	CK73HB0J105K	CHIP C	1.0UF 6.3V K	1	
	C601	CK73HB0J105K	CHIP C	1.0UF 6.3V K	1	
	C634	CK73FB0J106K	CHIP C	10UF 6.3V K	1	
	C635	CK73HB0J105K	CHIP C	1.0UF 6.3V K	1	
	C636	CK73HB1A104K	CHIP C	0.10UF 10V K	1	
	C700	CC73HCH1H470J	CHIP C	47PF 50V J	1	
	C701	CC73HCH1H820J	CHIP C	82PF 50V J	1	
	C702	CC73HCH1H470J	CHIP C	47PF 50V J	1	
	C703	CC73HCH1H470J	CHIP C	47PF 50V J	1	
	C704	CC73HCH1H470J	CHIP C	47PF 50V J	1	
	C705	CC73HCH1H470J	CHIP C	47PF 50V J	1	
	C706	CK73HB1A104K	CHIP C	0.10UF 10V K	1	
	C707	CK73HB1E103K	CHIP C	0.010UF 25V K	1	

MODEL	MARK	MODEL	MARK	MODEL	MARK	MODEL	MARK
DNN990HD	K0	DNN9330BT	M1	DNN9330BTM	M2	DNN9330BT	X1
DNN9230DAB	E1	DNX890HD	K1	DNX7330BT	M3	DNX7330BTM	M4
DNX7330BT	X2	DNX7230DAB	E2	DNX7700BT	R1		

Safe	Symbol No.	Parts No.	Parts Name	Description	QTY	Local
	C709	CC73HCH1H220J	CHIP C	22PF 50V J	1	
	C710	CC73HCH1H220J	CHIP C	22PF 50V J	1	
	C711	CC73HCH1H150J	CHIP C	15PF 50V J	1	
	C712	CC73HCH1H050C	CHIP C	5.0PF 50V C	1	
	C713	CK73HB1E103K	CHIP C	0.010UF 25V K	1	
	C714	CK73HB1E103K	CHIP C	0.010UF 25V K	1	
	C717	CK73HB1E103K	CHIP C	0.010UF 25V K	1	
	C719	CK73HB1E103K	CHIP C	0.010UF 25V K	1	
	C752	CC73HCH1H470J	CHIP C	47PF 50V J	1	
	C918	CK73HB1A104K	CHIP C	0.10UF 10V K	1	
	C919	CK73HB0J105K	CHIP C	1.0UF 6.3V K	1	
	C920	CK73FB0J106K	CHIP C	10UF 6.3V K	1	
	C925	CK73HB1H102K	CHIP C	1000PF 50V K	1	K0,M1,M2,X1,E1
	C933	CK73HB1H102K	CHIP C	1000PF 50V K	1	
	C940	CK73FB0J106K	CHIP C	10UF 6.3V K	1	K0,M1,M2,X1,E1
	C942	CK73FB0J106K	CHIP C	10UF 6.3V K	1	K0,M1,M2,X1,E1
	C950	CK73EB0J476M	CHIP C	47UF 6.3V M	1	
	C952	CK73HB1H102K	CHIP C	1000PF 50V K	1	K0,M1,M2,X1,E1,K1,R1
	C953	CK73HB1H102K	CHIP C	1000PF 50V K	1	
	C955	CK73EB0J476M	CHIP C	47UF 6.3V M	1	K0,M1,M2,X1,E1,K1,R1
	R2	RK73GB2A000J	CHIP R	0.0 J 1/10W 1608	1	
	R3	RK73GB2A000J	CHIP R	0.0 J 1/10W 1608	1	
	R15	RK73HB1J223J	CHIP R	22K J 1/16W	1	
	R21	RK73HB1J223J	CHIP R	22K J 1/16W	1	
	R28	RK73GH2A362D	CHIP R	3.6K D 1/10W	1	
	R30	RK73HB1J223J	CHIP R	22K J 1/16W	1	
	R31	RK73HB1J223J	CHIP R	22K J 1/16W	1	
	R32	RK73GH2A201D	CHIP R	200 D 1/10W	1	
	R33	RK73HB1J102J	CHIP R	1.0K J 1/16W	1	
	R36	RK73HB1J102J	CHIP R	1.0K J 1/16W	1	
	R38	RK73HH1J750D	CHIP R	75 D 1/16W	1	
	R39	RK73HH1J750D	CHIP R	75 D 1/16W	1	
	R43	RK73HH1J750D	CHIP R	75 D 1/16W	1	
	R44	RK73HB1J000J	CHIP R	0.0 J 1/16W	1	
	R45	RK73HB1J000J	CHIP R	0.0 J 1/16W	1	
	R46	RK73HB1J000J	CHIP R	0.0 J 1/16W	1	
	R55	RK73HB1J103J	CHIP R	10K J 1/16W	1	K1,R1
	R56	RK73HB1J103J	CHIP R	10K J 1/16W	1	K1,M3,M4,X2,E2,R1
	R58	RK73HH1J22D	CHIP R	1.2K D 1/16W	1	
	R60	RK73HB1J220J	CHIP R	22 J 1/16W	1	
	R61	RK73HB1J220J	CHIP R	22 J 1/16W	1	
	R62	RK73HB1J220J	CHIP R	22 J 1/16W	1	
	R63	RK73HB1J220J	CHIP R	22 J 1/16W	1	
	R64	RK73HB1J272J	CHIP R	2.7K J 1/16W	1	
	R65	RK73HB1J272J	CHIP R	2.7K J 1/16W	1	K0,M1,M2,X1,E1,M3,M4,X2,E2
	R66	RK73HB1J272J	CHIP R	2.7K J 1/16W	1	K0,M1,M2,X1,E1
	R67	RK73HB1J220J	CHIP R	22 J 1/16W	1	
	R68	RK73HB1J330J	CHIP R	33 J 1/16W	1	
	R69	RK73HB1J330J	CHIP R	33 J 1/16W	1	
	R70	RK73HB1J330J	CHIP R	33 J 1/16W	1	
	R72	RK73HB1J272J	CHIP R	2.7K J 1/16W	1	
	R80	RK73GB2A000J	CHIP R	0.0 J 1/10W 1608	1	
	R81	RK73HB1J000J	CHIP R	0.0 J 1/16W	1	
	R83	RK73HB1J151J	CHIP R	150 J 1/16W	1	
	R84	RK73FB2B101J	CHIP R	100 J 1/8W	1	
	R85	RK73GB2A000J	CHIP R	0.0 J 1/10W 1608	1	
	R86	RK73GB2A000J	CHIP R	0.0 J 1/10W 1608	1	
	R101	RK73HB1J122J	CHIP R	1.2K J 1/16W	1	
	R102	RK73HB1J105J	CHIP R	1.0M J 1/16W	1	
	R104	RK73HB1J330J	CHIP R	33 J 1/16W	1	
	R105	RK73HH1J201D	CHIP R	200 D 1/16W	1	
	R107	RK73HH1J201D	CHIP R	200 D 1/16W	1	
	R109	RK73HH1J201D	CHIP R	200 D 1/16W	1	
	R111	RK73HH1J750D	CHIP R	75 D 1/16W	1	
	R112	RK73HH1J750D	CHIP R	75 D 1/16W	1	
	R113	RK73HB1J000J	CHIP R	0.0 J 1/16W	1	
	R114	RK73HB1J000J	CHIP R	0.0 J 1/16W	1	
	R115	RK73HB1J330J	CHIP R	33 J 1/16W	1	
	R116	RK73HB1J101J	CHIP R	100 J 1/16W	1	
	R117	RK73HB1J272J	CHIP R	2.7K J 1/16W	1	
	R118	RK73HB1J101J	CHIP R	100 J 1/16W	1	
	R119	RK73HB1J330J	CHIP R	33 J 1/16W	1	
	R120	RK73HB1J330J	CHIP R	33 J 1/16W	1	
	R121	RK73HB1J471J	CHIP R	470 J 1/16W	1	
	R122	RK73HB1J330J	CHIP R	33 J 1/16W	1	
	R123	RK73HB1J330J	CHIP R	33 J 1/16W	1	
	R124	RK73HB1J272J	CHIP R	2.7K J 1/16W	1	
	R125	RK73HB1J680J	CHIP R	68 J 1/16W	1	
	R126	RK73HB1J680J	CHIP R	68 J 1/16W	1	
	R127	RK73HB1J000J	CHIP R	0.0 J 1/16W	1	
	R300	RK73HB1J102J	CHIP R	1.0K J 1/16W	1	K0,M1,M2,X1,E1
	R301	RK73HB1J104J	CHIP R	100K J 1/16W	1	K0,M1,M2,X1,E1
	R302	RK73HB1J101J	CHIP R	100 J 1/16W	1	K0,M1,M2,X1,E1
	R303	RK73HB1J104J	CHIP R	100K J 1/16W	1	K0,M1,M2,X1,E1
	R304	RK73HB1J105J	CHIP R	1.0M J 1/16W	1	K0,M1,M2,X1,E1
	R305	RK73HH1J123D	CHIP R	12K D 1/16W	1	K0,M1,M2,X1,E1
	R306	RK73HB1J102J	CHIP R	1.0K J 1/16W	1	K0,M1,M2,X1,E1
	R309	RK73HB1J102J	CHIP R	1.0K J 1/16W	1	K0,M1,M2,X1,E1
	R311	RK73HB1J102J	CHIP R	1.0K J 1/16W	1	K0,M1,M2,X1,E1
	R312	RK73HB1J104J	CHIP R	100K J 1/16W	1	K0,M1,M2,X1,E1
	R313	RK73HB1J104J	CHIP R	100K J 1/16W	1	K0,M1,M2,X1,E1

MODEL	MARK	MODEL	MARK	MODEL	MARK	MODEL	MARK
DNN990HD	K0	DNN9330BT	M1	DNN9330BTM	M2	DNN9330BT	X1
DNN9230DAB	E1	DNX890HD	K1	DNX7330BT	M3	DNX7330BTM	M4
DNX7330BT	X2	DNX7230DAB	E2	DNX7700BT	R1		

Safe	Symbol No.	Parts No.	Parts Name	Description	QTY	Local
	R314	RK73HB1J104J	CHIP R	100K J 1/16W	1	K0,M1,M2,X1,E1
	R315	RK73HB1J000J	CHIP R	0.0 J 1/16W	1	K0,M1,M2,X1,E1
	R316	RK73HB1J000J	CHIP R	0.0 J 1/16W	1	K0,M1,M2,X1,E1
	R317	RK73HB1J000J	CHIP R	0.0 J 1/16W	1	K1,M3,M4,X2,E2,R1
	R318	RK73HB1J000J	CHIP R	0.0 J 1/16W	1	K1,M3,M4,X2,E2,R1
	R319	RK73HB1J000J	CHIP R	0.0 J 1/16W	1	K0,M1,M2,X1,E1
	R320	RK73HB1J000J	CHIP R	0.0 J 1/16W	1	K0,M1,M2,X1,E1
	R321	RK73HB1J000J	CHIP R	0.0 J 1/16W	1	K0,M1,M2,X1,E1
	R322	RK73HB1J000J	CHIP R	0.0 J 1/16W	1	K0,M1,M2,X1,E1
	R340	RK73HB1J000J	CHIP R	0.0 J 1/16W	1	K0,M1,M2,X1,E1
	R341	RK73HB1J000J	CHIP R	0.0 J 1/16W	1	K0,M1,M2,X1,E1
	R400	RK73HB1J223J	CHIP R	22K J 1/16W	1	
	R402	RK73HB1J473J	CHIP R	47K J 1/16W	1	
	R403	RK73HB1J473J	CHIP R	47K J 1/16W	1	
	R405	RK73HB1J473J	CHIP R	47K J 1/16W	1	
	R412	RK73HB1J000J	CHIP R	0.0 J 1/16W	1	
	R500	RK73HB1J332J	CHIP R	3.3K J 1/16W	1	
	R501	RK73HB1J220J	CHIP R	22 J 1/16W	1	
	R502	RK73HB1J220J	CHIP R	22 J 1/16W	1	
	R503	RK73HB1J220J	CHIP R	22 J 1/16W	1	
	R504	RK73HB1J220J	CHIP R	22 J 1/16W	1	
	R505	RK73HB1J220J	CHIP R	22 J 1/16W	1	
	R506	RK73HB1J220J	CHIP R	22 J 1/16W	1	
	R507	RK73HB1J220J	CHIP R	22 J 1/16W	1	
	R508	RK73HB1J220J	CHIP R	22 J 1/16W	1	
	R509	RK73HB1J272J	CHIP R	2.7K J 1/16W	1	
	R510	RK73HB1J220J	CHIP R	22 J 1/16W	1	
	R511	RK73HB1J220J	CHIP R	22 J 1/16W	1	
	R512	RK73HB1J220J	CHIP R	22 J 1/16W	1	
	R513	RK73HB1J220J	CHIP R	22 J 1/16W	1	
	R514	RK73HB1J272J	CHIP R	2.7K J 1/16W	1	
	R515	RK73HB1J220J	CHIP R	22 J 1/16W	1	
	R516	RK73HB1J220J	CHIP R	22 J 1/16W	1	
	R517	RK73HB1J220J	CHIP R	22 J 1/16W	1	
	R518	RK73HB1J223J	CHIP R	22K J 1/16W	1	
	R519	RK73HB1J223J	CHIP R	22K J 1/16W	1	
	R520	RK73HB1J223J	CHIP R	22K J 1/16W	1	
	R521	RK73HB1J223J	CHIP R	22K J 1/16W	1	
	R522	RK73HB1J223J	CHIP R	22K J 1/16W	1	
	R526	RK73HB1J220J	CHIP R	22 J 1/16W	1	
	R527	RK73HB1J101J	CHIP R	100 J 1/16W	1	
	R528	RK73HB1J220J	CHIP R	22 J 1/16W	1	
	R529	RK73HB1J220J	CHIP R	22 J 1/16W	1	
	R536	RK73HB1J220J	CHIP R	22 J 1/16W	1	
	R537	RK73HB1J220J	CHIP R	22 J 1/16W	1	
	R538	RK73HB1J220J	CHIP R	22 J 1/16W	1	
	R539	RK73HB1J220J	CHIP R	22 J 1/16W	1	
	R540	RK73HB1J220J	CHIP R	22 J 1/16W	1	
	R541	RK73HB1J330J	CHIP R	33 J 1/16W	1	
	R542	RK73HB1J220J	CHIP R	22 J 1/16W	1	
	R543	RK73HB1J000J	CHIP R	0.0 J 1/16W	1	
	R544	RK73HB1J220J	CHIP R	22 J 1/16W	1	
	R545	RK73HB1J220J	CHIP R	22 J 1/16W	1	
	R546	RK73HB1J220J	CHIP R	22 J 1/16W	1	
	R547	RK73HB1J220J	CHIP R	22 J 1/16W	1	
	R548	RK73HB1J220J	CHIP R	22 J 1/16W	1	
	R549	RK73HB1J220J	CHIP R	22 J 1/16W	1	
	R550	RK73HB1J220J	CHIP R	22 J 1/16W	1	
	R551	RK73HB1J220J	CHIP R	22 J 1/16W	1	
	R552	RK73HB1J220J	CHIP R	22 J 1/16W	1	
	R553	RK73HB1J220J	CHIP R	22 J 1/16W	1	
	R554	RK73HB1J220J	CHIP R	22 J 1/16W	1	
	R555	RK73HB1J220J	CHIP R	22 J 1/16W	1	
	R556	RK73HB1J000J	CHIP R	0.0 J 1/16W	1	
	R557	RK73HB1J000J	CHIP R	0.0 J 1/16W	1	
	R558	RK73HB1J220J	CHIP R	22 J 1/16W	1	
	R559	RK73HB1J220J	CHIP R	22 J 1/16W	1	
	R560	RK73HB1J220J	CHIP R	22 J 1/16W	1	
	R561	RK73HB1J220J	CHIP R	22 J 1/16W	1	
	R562	RK73HB1J220J	CHIP R	22 J 1/16W	1	
	R563	RK73HB1J220J	CHIP R	22 J 1/16W	1	
	R564	RK73HB1J000J	CHIP R	0.0 J 1/16W	1	
	R565	RK73HB1J000J	CHIP R	0.0 J 1/16W	1	
	R566	RK73HB1J220J	CHIP R	22 J 1/16W	1	
	R567	RK73HB1J220J	CHIP R	22 J 1/16W	1	
	R568	RK73HB1J220J	CHIP R	22 J 1/16W	1	
	R569	RK73HH1J241D	CHIP R	240 D 1/16W	1	
	R570	RK73HH1J103J	CHIP R	10K J 1/16W	1	
	R571	RK73HH1J103D	CHIP R	10K D 1/16W	1	
	R572	RK73HH1J103D	CHIP R	10K D 1/16W	1	
	R573	RK73HH1J103D	CHIP R	10K D 1/16W	1	
	R574	RK73HH1J103D	CHIP R	10K D 1/16W	1	
	R575	RK73HB1J272J	CHIP R	2.7K J 1/16W	1	
	R577	RK73HB1J220J	CHIP R	22 J 1/16W	1	
	R578	RK73HB1J220J	CHIP R	22 J 1/16W	1	
	R579	RK73HB1J220J	CHIP R	22 J 1/16W	1	
	R580	RK73HB1J220J	CHIP R	22 J 1/16W	1	
	R581	RK73HB1J220J	CHIP R	22 J 1/16W	1	
	R582	RK73HB1J220J	CHIP R	22 J 1/16W	1	
	R583	RK73HB1J220J	CHIP R	22 J 1/16W	1	
	R584	RK73HB1J220J	CHIP R	22 J 1/16W	1	

MODEL	MARK	MODEL	MARK	MODEL	MARK	MODEL	MARK
DNN990HD	K0	DNN9330BT	M1	DNN9330BTM	M2	DNN9330BT	X1
DNN9230DAB	E1	DNX890HD	K1	DNX7330BT	M3	DNX7330BTM	M4
DNX7330BT	X2	DNX7230DAB	E2	DNX7700BT	R1		

Safe	Symbol No.	Parts No.	Parts Name	Description	QTY	Local
	R585	RK73HB1J220J	CHIP R	22 J 1/16W	1	
	R586	RK73HB1J220J	CHIP R	22 J 1/16W	1	
	R587	RK73HB1J220J	CHIP R	22 J 1/16W	1	
	R588	RK73HB1J220J	CHIP R	22 J 1/16W	1	
	R589	RK73HB1J220J	CHIP R	22 J 1/16W	1	
	R590	RK73HB1J220J	CHIP R	22 J 1/16W	1	
	R591	RK73HB1J220J	CHIP R	22 J 1/16W	1	
	R592	RK73HB1J220J	CHIP R	22 J 1/16W	1	
	R593	RK73HB1J101J	CHIP R	100 J 1/16W	1	
	R594	RK73HB1J220J	CHIP R	22 J 1/16W	1	
	R595	RK73HB1J220J	CHIP R	22 J 1/16W	1	
	R596	RK73HB1J220J	CHIP R	22 J 1/16W	1	
	R597	RK73HB1J220J	CHIP R	22 J 1/16W	1	
	R598	RK73HB1J220J	CHIP R	22 J 1/16W	1	
	R599	RK73HB1J220J	CHIP R	22 J 1/16W	1	
	R600	RK73HB1J102J	CHIP R	1.0K J 1/16W	1	
	R601	RK73HB1J272J	CHIP R	2.7K J 1/16W	1	
	R602	RK73HB1J103J	CHIP R	10K J 1/16W	1	
	R603	RK73HB1J472J	CHIP R	4.7K J 1/16W	1	
	R604	RK73HB1J103J	CHIP R	10K J 1/16W	1	
	R607	RK73HB1J000J	CHIP R	0.0 J 1/16W	1	K0,M1,M2,X1,E1
	R650	RK73HB1J220J	CHIP R	22 J 1/16W	1	K0,M1,M2,X1,E1
	R670	RK73HB1J220J	CHIP R	22 J 1/16W	1	K0,M1,M2,X1,E1
	R700	RK73HB1J220J	CHIP R	22 J 1/16W	1	
	R701	RK73HB1J470J	CHIP R	47 J 1/16W	1	
	R703	RK73HB1J223J	CHIP R	22K J 1/16W	1	
	R704	RK73HB1J223J	CHIP R	22K J 1/16W	1	
	R708	RK73HB1J220J	CHIP R	22 J 1/16W	1	
	R709	RK73HB1J272J	CHIP R	2.7K J 1/16W	1	
	R710	RK73HB1J272J	CHIP R	2.7K J 1/16W	1	
	R711	RK73HB1J272J	CHIP R	2.7K J 1/16W	1	
	R712	RK73HB1J272J	CHIP R	2.7K J 1/16W	1	
	R713	RK73HB1J272J	CHIP R	2.7K J 1/16W	1	
	R714	RK73HB1J223J	CHIP R	22K J 1/16W	1	
	R716	RK73HB1J220J	CHIP R	22 J 1/16W	1	
	R717	RK73HB1J220J	CHIP R	22 J 1/16W	1	
	R718	RK73HB1J223J	CHIP R	22K J 1/16W	1	
	R719	RK73HB1J223J	CHIP R	22K J 1/16W	1	
	R720	RK73HB1J272J	CHIP R	2.7K J 1/16W	1	
	R721	RK73HB1J220J	CHIP R	22 J 1/16W	1	
	R722	RK73HB1J220J	CHIP R	22 J 1/16W	1	
	R727	RK73HB1J220J	CHIP R	22 J 1/16W	1	
	R728	RK73HB1J220J	CHIP R	22 J 1/16W	1	
	R729	RK73HB1J220J	CHIP R	22 J 1/16W	1	
	R730	RK73HB1J220J	CHIP R	22 J 1/16W	1	
	R732	RK73HB1J220J	CHIP R	22 J 1/16W	1	
	R733	RK73HB1J220J	CHIP R	22 J 1/16W	1	
	R736	RK73HB1J220J	CHIP R	22 J 1/16W	1	
	R737	RK73HB1J220J	CHIP R	22 J 1/16W	1	
	R738	RK73HB1J101J	CHIP R	100 J 1/16W	1	
	R739	RK73HB1J101J	CHIP R	100 J 1/16W	1	
	R740	RK73HB1J101J	CHIP R	100 J 1/16W	1	
	R741	RK73HB1J220J	CHIP R	22 J 1/16W	1	
	R743	RK73HB1J220J	CHIP R	22 J 1/16W	1	
	R746	RK73HB1J220J	CHIP R	22 J 1/16W	1	
	R747	RK73HB1J220J	CHIP R	22 J 1/16W	1	
	R750	RK73HB1J220J	CHIP R	22 J 1/16W	1	
	R751	RK73HB1J220J	CHIP R	22 J 1/16W	1	
	R754	RK73HB1J220J	CHIP R	22 J 1/16W	1	
	R758	RK73HB1J101J	CHIP R	100 J 1/16W	1	
	R759	RK73HB1J101J	CHIP R	100 J 1/16W	1	
	R760	RK73HB1J101J	CHIP R	100 J 1/16W	1	
	R761	RK73HB1J220J	CHIP R	22 J 1/16W	1	
	R762	RK73HB1J220J	CHIP R	22 J 1/16W	1	
	R767	RK73HB1J220J	CHIP R	22 J 1/16W	1	
	R768	RK73HB1J220J	CHIP R	22 J 1/16W	1	
	R769	RK73HB1J220J	CHIP R	22 J 1/16W	1	
	R770	RK73HB1J220J	CHIP R	22 J 1/16W	1	
	R771	RK73HB1J103J	CHIP R	10K J 1/16W	1	
	R775	RK73HH1J44R2D	CHIP R	44.2 D 1/16W	1	
	R776	RK73HH1J44R2D	CHIP R	44.2 D 1/16W	1	
	R777	RK73HB1J472J	CHIP R	4.7K J 1/16W	1	
	R778	RK73HB1J472J	CHIP R	4.7K J 1/16W	1	
	R779	RK73HB1J472J	CHIP R	4.7K J 1/16W	1	
	R781	RK73HB1J222J	CHIP R	2.2K J 1/16W	1	
	R782	RK73HB1J222J	CHIP R	2.2K J 1/16W	1	
	R784	RK73HB1J220J	CHIP R	22 J 1/16W	1	
	R789	RK73HB1J222J	CHIP R	2.2K J 1/16W	1	
	R790	RK73GB2A106J	CHIP R	10M J 1/10W	1	
	R791	RK73HB1J334J	CHIP R	330K J 1/16W	1	
	R792	RK73HB1J182J	CHIP R	1.8K J 1/16W	1	
	R793	RK73HB1J182J	CHIP R	1.8K J 1/16W	1	
	R794	RK73HB1J223J	CHIP R	22K J 1/16W	1	
	R795	RK73HB1J223J	CHIP R	22K J 1/16W	1	
	R796	RK73HB1J223J	CHIP R	22K J 1/16W	1	
	R799	RK73HB1J105J	CHIP R	1.0M J 1/16W	1	
	R800	RK73HB1J000J	CHIP R	0.0 J 1/16W	1	
	R801	RK73HB1J102J	CHIP R	1.0K J 1/16W	1	
	R804	RK73HB1J102J	CHIP R	1.0K J 1/16W	1	
	R806	RK73HB1J102J	CHIP R	1.0K J 1/16W	1	
	R807	RK73HB1J103J	CHIP R	10K J 1/16W	1	
	R808	RK73HB1J223J	CHIP R	22K J 1/16W	1	

MODEL	MARK	MODEL	MARK	MODEL	MARK	MODEL	MARK
DNN990HD	K0	DNN9330BT	M1	DNN9330BTM	M2	DNN9330BT	X1
DNN9230DAB	E1	DNX890HD	K1	DNX7330BT	M3	DNX7330BTM	M4
DNX7330BT	X2	DNX7230DAB	E2	DNX7700BT	R1		

Safe	Symbol No.	Parts No.	Parts Name	Description	QTY	Local
	R809	RK73HB1J220J	CHIP R	22 J 1/16W	1	
	R810	RK73HB1J223J	CHIP R	22K J 1/16W	1	
	R811	RK73HB1J220J	CHIP R	22 J 1/16W	1	
	R812	RK73HB1J473J	CHIP R	47K J 1/16W	1	
	R813	RK73HB1J220J	CHIP R	22 J 1/16W	1	
	R814	RK73HB1J222J	CHIP R	2.2K J 1/16W	1	
	R817	RK73HB1J220J	CHIP R	22 J 1/16W	1	
	R818	RK73HB1J220J	CHIP R	22 J 1/16W	1	
	R819	RK73HB1J473J	CHIP R	47K J 1/16W	1	
	R820	RK73HB1J220J	CHIP R	22 J 1/16W	1	
	R821	RK73HB1J220J	CHIP R	22 J 1/16W	1	
	R823	RK73HB1J220J	CHIP R	22 J 1/16W	1	
	R824	RK73HB1J222J	CHIP R	2.2K J 1/16W	1	
	R828	RK73HB1J220J	CHIP R	22 J 1/16W	1	
	R829	RK73HB1J220J	CHIP R	22 J 1/16W	1	
	R830	RK73HB1J220J	CHIP R	22 J 1/16W	1	
	R831	RK73HB1J220J	CHIP R	22 J 1/16W	1	
	R832	RK73HB1J220J	CHIP R	22 J 1/16W	1	
	R833	RK73HB1J473J	CHIP R	47K J 1/16W	1	
	R834	RK73HB1J220J	CHIP R	22 J 1/16W	1	
	R835	RK73HB1J220J	CHIP R	22 J 1/16W	1	
	R836	RK73HB1J220J	CHIP R	22 J 1/16W	1	
	R837	RK73HB1J220J	CHIP R	22 J 1/16W	1	
	R840	RK73HB1J272J	CHIP R	2.7K J 1/16W	1	
	R841	RK73HB1J102J	CHIP R	1.0K J 1/16W	1	
	R842	RK73HB1J102J	CHIP R	1.0K J 1/16W	1	
	R844	RK73HB1J220J	CHIP R	22 J 1/16W	1	
	R845	RK73HB1J220J	CHIP R	22 J 1/16W	1	
	R846	RK73HB1J220J	CHIP R	22 J 1/16W	1	
	R847	RK73HB1J220J	CHIP R	22 J 1/16W	1	
	R848	RK73HB1J223J	CHIP R	22K J 1/16W	1	
	R849	RK73HB1J220J	CHIP R	22 J 1/16W	1	
	R851	RK73HB1J101J	CHIP R	100 J 1/16W	1	
	R852	RK73HB1J223J	CHIP R	22K J 1/16W	1	
	R853	RK73HB1J220J	CHIP R	22 J 1/16W	1	
	R870	RK73HB1J272J	CHIP R	2.7K J 1/16W	1	
	R871	RK73HB1J223J	CHIP R	22K J 1/16W	1	
	R901	RK73HB1J223J	CHIP R	22K J 1/16W	1	
	R910	RK73HB1J272J	CHIP R	2.7K J 1/16W	1	
	R912	RK73HB1J222J	CHIP R	2.2K J 1/16W	1	K0,M1,M2,X1,E1
	R925	RK73HB1J473J	CHIP R	47K J 1/16W	1	
	R936	RK73HB1J000J	CHIP R	0.0 J 1/16W	1	
	R937	RK73HB1J000J	CHIP R	0.0 J 1/16W	1	
	R939	RK73HB1J000J	CHIP R	0.0 J 1/16W	1	K1,M3,M4,X2,E2,R1
	R940	RK73HB1J000J	CHIP R	0.0 J 1/16W	1	K1,M3,M4,X2,E2,R1
	R946	RK73HB1J220J	CHIP R	22 J 1/16W	1	K1,R1
	R947	RK73HB1J220J	CHIP R	22 J 1/16W	1	K1,R1
	R948	RK73GB2A000J	CHIP R	0.0 J 1/10W 1608	1	K0,M1,M2,X1,E1,K1,R1
	R949	RK73GB2A000J	CHIP R	0.0 J 1/10W 1608	1	
	R950	RK73HB1J223J	CHIP R	22K J 1/16W	1	
	L2	L92-0373-05	CHIP FERRITE		1	
	L3	L92-0373-05	CHIP FERRITE		1	
	L10	L92-0373-05	CHIP FERRITE		1	
	L101	L92-0180-05	CHIP FERRITE	1K	1	
	L102	L92-0180-05	CHIP FERRITE	1K	1	
	L103	L92-0180-05	CHIP FERRITE	1K	1	
	L200	L92-0373-05	CHIP FERRITE		1	
	L202	L92-0373-05	CHIP FERRITE		1	
	L203	L92-0373-05	CHIP FERRITE		1	
	L204	L92-0373-05	CHIP FERRITE		1	
	L205	L92-0373-05	CHIP FERRITE		1	
	L206	L92-0373-05	CHIP FERRITE		1	
	L208	L92-0373-05	CHIP FERRITE		1	
	L209	L92-0373-05	CHIP FERRITE		1	
	L211	L92-0373-05	CHIP FERRITE		1	
	L212	L92-0373-05	CHIP FERRITE		1	
	L213	L92-0373-05	CHIP FERRITE		1	
	L215	L92-0373-05	CHIP FERRITE		1	
	L300	L92-0373-05	CHIP FERRITE		1	K0,M1,M2,X1,E1
	L500	L92-0373-05	CHIP FERRITE		1	
	L501	L92-0373-05	CHIP FERRITE		1	
	L502	L92-0373-05	CHIP FERRITE		1	
	L503	L92-0373-05	CHIP FERRITE		1	
	L504	L92-0373-05	CHIP FERRITE		1	
	L700	L92-0373-05	CHIP FERRITE		1	
	L901	L92-0373-05	CHIP FERRITE		1	
	L904	L92-1009-05	CHIP FERRITE		1	
	L905	L92-1009-05	CHIP FERRITE		1	K1,R1
	CN101	E41-3401-05	FLAT CABLE CONNECTOR	60PIN AU	1	
	CN102	E41-2359-05	PIN ASSY	4P 1MM TOP LF	1	
	CN400	E41-3403-05	FLAT CABLE CONNECTOR	20PIN AU	1	
	CN601	E41-3415-05	PIN ASSY	9827B-70Y955	1	
	CN604	E41-3353-05	FLAT CABLE CONNECTOR	FFC 14PIN	1	
	CN901	E41-2839-05	PIN ASSY	10PIN	1	K0,M1,M2,X1,E1,K1,R1
	CN902	E41-2359-05	PIN ASSY	4P 1MM TOP LF	1	
	CN903	E41-2724-05	PIN ASSY	5P	1	
	CP3	RK74HB1J220J	CHIP-COM	22 J 1/16W	1	
	CP4	RK74HB1J220J	CHIP-COM	22 J 1/16W	1	

MODEL	MARK	MODEL	MARK	MODEL	MARK	MODEL	MARK
DNN990HD	K0	DNN9330BT	M1	DNN9330BTM	M2	DNN9330BT	X1
DNN9230DAB	E1	DNX890HD	K1	DNX7330BT	M3	DNX7330BTM	M4
DNX7330BT	X2	DNX7230DAB	E2	DNX7700BT	R1		

Safe	Symbol No.	Parts No.	Parts Name	Description	QTY	Local
	CP5	RK74HB1J220J	CHIP-COM	22 J 1/16W	1	
	CP6	RK74HB1J220J	CHIP-COM	22 J 1/16W	1	
	CP7	RK74HB1J220J	CHIP-COM	22 J 1/16W	1	
	CP8	RK74HB1J220J	CHIP-COM	22 J 1/16W	1	
	CP101	RK74HB1J330J	CHIP-COM	33 J 1/16W	1	
	CP102	RK74HB1J330J	CHIP-COM	33 J 1/16W	1	
	CP400	RK74HB1J473J	CHIP-COM	47K J 1/16W	1	
	CP501	RK74HB1J220J	CHIP-COM	22 J 1/16W	1	
	CP502	RK74HB1J220J	CHIP-COM	22 J 1/16W	1	
	CP503	RK74HB1J220J	CHIP-COM	22 J 1/16W	1	
	CP504	RK74HB1J220J	CHIP-COM	22 J 1/16W	1	
	CP505	RK74HB1J220J	CHIP-COM	22 J 1/16W	1	
	CP506	RK74HB1J220J	CHIP-COM	22 J 1/16W	1	
	CP507	RK74HB1J220J	CHIP-COM	22 J 1/16W	1	
	CP508	RK74HB1J220J	CHIP-COM	22 J 1/16W	1	
	CP700	RK74HB1J220J	CHIP-COM	22 J 1/16W	1	
	CP900	RK74HB1J473J	CHIP-COM	47K J 1/16W	1	
	J900	E68-0832-05	JACK(OTHERS)	MICRO SD CONNECTER	1	
	X101	L77-3850-05	CRYSTAL RESONATOR	12MHZ 15PPM 30PPM	1	
	X300	L77-3877-05	CRYSTAL RESONATOR	24MHZ 50PPM	1	K0,M1,M2,X1,E1
	X700	L77-2921-15	CRYSTAL RESONATOR	32.768KHZ 12.5PF	1	
	X701	L77-3873-05	CRYSTAL RESONATOR	12.000MHZ	1	
ELECTRIC UNIT (X34-752x-xx) <X34>						
	IC1	LV5680NPVC	IC(ANALOGUE)		1	
	IC41	XC6213B332N-G	IC(ANALOGUE)	3.3V	1	
	IC101	TB2931HQ	IC(ANALOGUE)	25PIN 1.0MM PITCH	1	
	IC201	TDA7715	IC(ANALOGUE)	EVOL 64PIN QFP	1	
	IC261	AN15863UA-VB	IC(ANALOGUE)		1	
	IC301	XC6223B331P-G	IC(ANALOGUE)	3.3V	1	
	IC351	BA00DD0WHFP	IC(ANALOGUE)	1.5-16V 2A 2.3W	1	E1,E2
	IC361	W10-0857-08	IC(DAB MI-CON)	QFP 44PIN 512K/32K	1	E1,E2
	IC401	SI4706-D50-GM	IC(MOS-IC)	FM AM RDS IC CU	1	K0,M1,E1,K1,M3,E2,R1
	IC511	TC7SET32FU-F	IC(MOS-IC)		1	K0,E1,K1,E2
	IC512	TC7SH17FU-F	IC(MOS-IC)		1	K0,E1,K1,E2
	IC601	NJW1240V-ZB	IC(ANALOGUE)	5V-AMP	1	
	IC701	AK7601AVQ-W	IC(MOS-IC)	SIMPLE DSP	1	
	IC781	LB1836M-TLM-E	IC(ANALOGUE)	PB-FREE	1	
	IC801	AK4113VF	IC(MOS-IC)		1	K0,E1,K1,R1
	Q31	LSCR523UBFS8	TRANSISTOR		1	
	Q51	LTC024EUBFS8	TRANSISTOR		1	
	Q151	LTC014YUBFS8	TRANSISTOR		1	
	Q152	LTA043ZUBFS8	TRANSISTOR		1	
	Q155	LTC014YUBFS8	TRANSISTOR		1	
	Q156	LTA043ZUBFS8	TRANSISTOR		1	
	Q161	LTC043TUBFS8	TRANSISTOR		1	
	Q162	LTC043TUBFS8	TRANSISTOR		1	
	Q163	LTC043TUBFS8	TRANSISTOR		1	
	Q164	LTC043TUBFS8	TRANSISTOR		1	
	Q165	LTC043TUBFS8	TRANSISTOR		1	
	Q191	LTA043ZUBFS8	TRANSISTOR		1	
	Q193	LTC043TUBFS8	TRANSISTOR		1	
	Q194	LTC043TUBFS8	TRANSISTOR		1	
	Q271	SSM3K15AMFV-F	FET		1	
	Q272	SSM3K15AMFV-F	FET		1	
	Q301	2SAR533D	TRANSISTOR		1	
	Q302	LSCR523UBFS8	TRANSISTOR		1	
	Q451	3SK291-F	DUAL FET		1	K0,M1,E1,K1,M3,E2,R1
	Q571	RT3J33M-1	DUAL FET		1	M1,M2,X1,M3,M4,X2
	Q572	LTC014YUBFS8	TRANSISTOR		1	M1,M2,X1,M3,M4,X2
	Q731	2SB1689	TRANSISTOR		1	
	Q732	LTC014YUBFS8	TRANSISTOR		1	
	Q781	2SAR533D	TRANSISTOR		1	
	Q782	LSCR523UBFS8	TRANSISTOR		1	
	Q783	LTC014YUBFS8	TRANSISTOR		1	
	D1	1N5402-BPC04	SI DIODE		1	
	D31	RKS801KF	DIODE		1	
	D32	RKZ6.2KG(B2)	Z DIODE		1	
	D41	RR264M-400	DIODE		1	
	D42	RR264M-400	DIODE		1	K0,M1,M2,X1,K1,M3,M4,X2,R1
	D43	GS1J-LTP-X	SI DIODE		1	
	D44	GS1J-LTP-X	SI DIODE		1	K0,M1,M2,X1,K1,M3,M4,X2,R1
	D51	RKS801KF	DIODE		1	
	D61	RKZ6.2KG(B2)	Z DIODE		1	
	D71	MC2846-T111	DIODE		1	
	D101	MC2846-T111	DIODE		1	
	D151	MC2846-T111	DIODE		1	
	D155	MC2846-T111	DIODE		1	
	D171	VR1005AAA180	VARIISTOR	10V 18V 140P	1	
	D172	VR1005AAA180	VARIISTOR	10V 18V 140P	1	
	D173	VR1005AAA180	VARIISTOR	10V 18V 140P	1	
	D174	VR1005AAA180	VARIISTOR	10V 18V 140P	1	
	D175	VR1005AAA180	VARIISTOR	10V 18V 140P	1	
	D177	VR1005AAA180	VARIISTOR	10V 18V 140P	1	
	D191	MC2846-T111	DIODE		1	
	D195	VR1005AAA180	VARIISTOR	10V 18V 140P	1	
	D196	VR1005AAA180	VARIISTOR	10V 18V 140P	1	
	D197	VR1005AAA180	VARIISTOR	10V 18V 140P	1	
	D201	RKS801KF	DIODE		1	

MODEL	MARK	MODEL	MARK	MODEL	MARK	MODEL	MARK
DNN990HD	K0	DNN9330BT	M1	DNN9330BTM	M2	DNN9330BT	X1
DNN9230DAB	E1	DNX890HD	K1	DNX7330BT	M3	DNX7330BTM	M4
DNX7330BT	X2	DNX7230DAB	E2	DNX7700BT	R1		

Safe	Symbol No.	Parts No.	Parts Name	Description	QTY	Local
	D202	RKS801KF	DIODE		1	
	D203	MC2846-T111	DIODE		1	
	D204	MC2846-T111	DIODE		1	
	D205	MC2846-T111	DIODE		1	
	D301	EZAEG3A50A	SURGE ABSORBER		1	
	D302	GS1J-LTP-X	SI DIODE		1	
	D351	IMS680201901	SURGE ABSORBER		1	E1,E2
	D352	RKS801KF	DIODE		1	E1,E2
	D381	RKZ3.3KG(B2)	Z DIODE		1	E1,E2
	D501	VR1005AAA180	VARIATOR	10V 18V 140P	1	K0,K1
	D502	VR1005AAA180	VARIATOR	10V 18V 140P	1	K0,K1
	D503	VR1005AAA180	VARIATOR	10V 18V 140P	1	K0,K1
	D511	VR1005AAA270	VARIATOR	15V 27V 40P	1	K0,E1,K1,E2
	D512	VR1005AAA270	VARIATOR	15V 27V 40P	1	K0,E1,K1,E2
	D513	VR1005AAA270	VARIATOR	15V 27V 40P	1	K0,E1,K1,E2
	D551	VR1005AAA270	VARIATOR	15V 27V 40P	1	K0,M1,M2,X1,E1,M3,M4,X2
	D552	RKS801KF	DIODE		1	M1,M2,X1,M3,M4,X2
	D561	VR1005AAA270	VARIATOR	15V 27V 40P	1	M1,M2,X1,M3,M4,X2
	D562	RKS801KF	DIODE		1	M1,M2,X1,M3,M4,X2
	D571	VR1005AAA270	VARIATOR	15V 27V 40P	1	K0,M1,M2,X1,E1,M3,M4,X2
	C1	CD04AZ1C332M2	ELECTRO	3300UF 16V M	1	
	C2	CK73GB1H104K	CHIP C	0.10UF 50V K	1	
	C3	CK73GB1H104K	CHIP C	0.10UF 50V K	1	
	C4	CK73GB1H332K	CHIP C	3300PF 50V K	1	
	C5	CK73ER2J333K	CHIP CERAMIC CAPACITOR (TYPE2)	630V 33000PF K	1	M2,E1,M4,E2
	C11	CE32CB1V101M	CHIP EL	100UF 35V M	1	
	C12	CK73HB1E103K	CHIP C	0.010UF 25V K	1	
	C13	CE32CB1C470M	CHIP EL	47UF 16V M	1	
	C14	CE32CB1C470M	CHIP EL	47UF 16V M	1	
	C15	CE32CB1A101M	CHIP EL	100UF 10V M	1	
	C16	CE32CC1C221M	CHIP EL	220UF 16V M	1	
	C18	CK73EB1E106K	CHIP C	10UF 25V K	1	
	C19	CK73EB1E106K	CHIP C	10UF 25V K	1	
	C21	CK73GB1H104K	CHIP C	0.10UF 50V K	1	
	C23	CK73GB1C105K	CHIP C	1.0UF 16V K	1	
	C24	CK73GB1H104K	CHIP C	0.10UF 50V K	1	
	C25	CK73GB1C224K	CHIP C	0.22UF 16V K	1	
	C26	CK73HB1A104K	CHIP C	0.10UF 10V K	1	
	C31	CK73FB1E474K	CHIP C	0.47UF 25V K	1	
	C41	CK73GB0J225K	CHIP C	2.2UF 6.3V K	1	
	C42	CK73GB0J225K	CHIP C	2.2UF 6.3V K	1	
	C51	CK73HB1E103K	CHIP C	0.010UF 25V K	1	
	C52	CK73HB0J105K	CHIP C	1.0UF 6.3V K	1	
	C71	CK73HB1E104K	CHIP C	0.10UF 25V K	1	
	C100	CE32CB1C100M	CHIP EL	10UF 16V M	1	
	C101	CK73GB1C224K	CHIP C	0.22UF 16V K	1	M1,M2,X1,M3,M4,X2,E2
	C102	CK73GB1C224K	CHIP C	0.22UF 16V K	1	M1,M2,X1,M3,M4,X2,E2
	C103	CK73GB1C224K	CHIP C	0.22UF 16V K	1	
	C104	CK73GB1C224K	CHIP C	0.22UF 16V K	1	
	C109	CK73GB1C105K	CHIP C	1.0UF 16V K	1	M1,M2,X1,M3,M4,X2,E2
	C111	C90-6777-05	ELECTRO	0.22UF 16V M	1	K0,E1,K1,R1
	C112	C90-6777-05	ELECTRO	0.22UF 16V M	1	K0,E1,K1,R1
	C119	C90-6780-05	ELECTRO	1UF 16V M	1	K0,E1,K1,R1
	C122	CK73HB1H221K	CHIP C	220PF 50V K	1	
	C131	CK73HB1H221K	CHIP C	220PF 50V K	1	
	C133	CK73HB1H221K	CHIP C	220PF 50V K	1	
	C134	CK73HB1H221K	CHIP C	220PF 50V K	1	
	C135	CK73HB1H221K	CHIP C	220PF 50V K	1	
	C136	CK73HB1H221K	CHIP C	220PF 50V K	1	
	C137	CK73HB1H221K	CHIP C	220PF 50V K	1	
	C138	CK73HB1H221K	CHIP C	220PF 50V K	1	
	C145	CK73HB0J105K	CHIP C	1.0UF 6.3V K	1	
	C146	CK73HB0J105K	CHIP C	1.0UF 6.3V K	1	
	C151	CE32CA1C100M	CHIP EL	10UF 16V M	1	
	C152	CE32CA1C100M	CHIP EL	10UF 16V M	1	
	C153	CK73EB1C106K	CHIP C	10UF 16V K	1	
	C154	CK73EB1C106K	CHIP C	10UF 16V K	1	
	C155	CK73EB1C106K	CHIP C	10UF 16V K	1	
	C171	CK73HB1H102K	CHIP C	1000PF 50V K	1	
	C172	CK73HB1H102K	CHIP C	1000PF 50V K	1	
	C173	CK73HB1H102K	CHIP C	1000PF 50V K	1	
	C174	CK73HB1H102K	CHIP C	1000PF 50V K	1	
	C175	CK73HB1H102K	CHIP C	1000PF 50V K	1	
	C191	CK73EB1C106K	CHIP C	10UF 16V K	1	
	C192	CK73EB1C106K	CHIP C	10UF 16V K	1	
	C195	CK73HB1H102K	CHIP C	1000PF 50V K	1	
	C196	CK73HB1H102K	CHIP C	1000PF 50V K	1	
	C201	CE32CB1C470M	CHIP EL	47UF 16V M	1	
	C202	CK73HB1E103K	CHIP C	0.010UF 25V K	1	
	C203	CK73HB1E103K	CHIP C	0.010UF 25V K	1	
	C204	CE32CB1C470M	CHIP EL	47UF 16V M	1	
	C205	CK73HB0J105K	CHIP C	1.0UF 6.3V K	1	
	C206	CK73HB0J105K	CHIP C	1.0UF 6.3V K	1	
	C207	CK73HB0J474K	CHIP C	0.47UF 6.3V K	1	
	C208	CK73HB0J105K	CHIP C	1.0UF 6.3V K	1	
	C209	CK73HB0J474K	CHIP C	0.47UF 6.3V K	1	
	C210	CK73GB0J475K	CHIP C	4.7UF 6.3V K	1	
	C211	CK73GB1C105K	CHIP C	1.0UF 16V K	1	
	C212	CK73GB1C105K	CHIP C	1.0UF 16V K	1	

MODEL	MARK	MODEL	MARK	MODEL	MARK	MODEL	MARK
DNN990HD	K0	DNN9330BT	M1	DNN9330BTM	M2	DNN9330BT	X1
DNN9230DAB	E1	DNX890HD	K1	DNX7330BT	M3	DNX7330BTM	M4
DNX7330BT	X2	DNX7230DAB	E2	DNX7700BT	R1		

Safe	Symbol No.	Parts No.	Parts Name	Description	QTY	Local
	C213	CK73GB1C105K	CHIP C	1.0UF 16V K	1	
	C214	CK73GB1C105K	CHIP C	1.0UF 16V K	1	
	C215	CK73GB1C105K	CHIP C	1.0UF 16V K	1	
	C216	CK73GB1C105K	CHIP C	1.0UF 16V K	1	
	C217	CK73GB1C105K	CHIP C	1.0UF 16V K	1	
	C218	CK73GB1C105K	CHIP C	1.0UF 16V K	1	
	C221	CE32CA1C100M	CHIP EL	10UF 16V M	1	
	C222	CE32CA1C100M	CHIP EL	10UF 16V M	1	
	C223	CK73GB1C105K	CHIP C	1.0UF 16V K	1	
	C224	CK73GB1C105K	CHIP C	1.0UF 16V K	1	
	C225	CK73GB0J106M	CHIP C	10UF 6.3V M	1	
	C227	CK73GB1C105K	CHIP C	1.0UF 16V K	1	
	C228	CK73GB1C105K	CHIP C	1.0UF 16V K	1	
	C229	CK73GB0J106M	CHIP C	10UF 6.3V M	1	
	C261	CK73FB1C106K	CHIP C	10UF 16V K	1	
	C262	CK73FB1C106K	CHIP C	10UF 16V K	1	
	C263	CK73GB1H104K	CHIP C	0.10UF 50V K	1	
	C264	CK73GB1H104K	CHIP C	0.10UF 50V K	1	
	C265	CK73GB0J106M	CHIP C	10UF 6.3V M	1	
	C273	CK73GB1C105K	CHIP C	1.0UF 16V K	1	
	C274	CK73GB1C105K	CHIP C	1.0UF 16V K	1	
	C275	CK73GB1C105K	CHIP C	1.0UF 16V K	1	
	C276	CK73GB1C105K	CHIP C	1.0UF 16V K	1	
	C277	CK73GB1C105K	CHIP C	1.0UF 16V K	1	
	C278	CK73GB1C105K	CHIP C	1.0UF 16V K	1	
	C279	CK73GB1C105K	CHIP C	1.0UF 16V K	1	
	C284	CK73GB1C105K	CHIP C	1.0UF 16V K	1	
	C285	CK73GB1C105K	CHIP C	1.0UF 16V K	1	
	C286	CK73GB1C105K	CHIP C	1.0UF 16V K	1	
	C291	CK73GB1C105K	CHIP C	1.0UF 16V K	1	M1,M2,X1,E1,M3,M4,X2 ,E2,R1
	C292	CK73GB1C105K	CHIP C	1.0UF 16V K	1	M1,M2,X1,E1,M3,M4,X2 ,E2,R1
	C293	CK73GB1C105K	CHIP C	1.0UF 16V K	1	M1,M2,X1,E1,M3,M4,X2 ,E2,R1
	C297	CK73GB1C105K	CHIP C	1.0UF 16V K	1	E1,E2,R1
	C298	CK73GB1C105K	CHIP C	1.0UF 16V K	1	E1,E2,R1
	C299	CK73GB1C105K	CHIP C	1.0UF 16V K	1	E1,E2,R1
	C301	CK73GB1C225K	CHIP C	2.2UF 16V K	1	
	C302	CK73GB1C225K	CHIP C	2.2UF 16V K	1	
	C303	CK73GB1H104K	CHIP C	0.10UF 50V K	1	
	C304	CK73HB1H102K	CHIP C	1000PF 50V K	1	
	C305	CK73HB1A104K	CHIP C	0.10UF 10V K	1	
	C306	CK73FB0J106K	CHIP C	10UF 6.3V K	1	
	C308	CK73HB1A104K	CHIP C	0.10UF 10V K	1	
	C309	CK73HB1E103K	CHIP C	0.010UF 25V K	1	
	C321	CK73HB1A104K	CHIP C	0.10UF 10V K	1	
	C322	CK73HB1E103K	CHIP C	0.010UF 25V K	1	
	C351	CK73FB1C106K	CHIP C	10UF 16V K	1	E1,E2
	C352	CK73GB1H104K	CHIP C	0.10UF 50V K	1	E1,E2
	C353	CK73FB0J226M	CHIP C	22UF M	1	E1,E2
	C358	CK73HB1A104K	CHIP C	0.10UF 10V K	1	E1,E2
	C359	CK73HB1E103K	CHIP C	0.010UF 25V K	1	E1,E2
	C361	CK73HB0J105K	CHIP C	1.0UF 6.3V K	1	E1,E2
	C362	CK73HB1A104K	CHIP C	0.10UF 10V K	1	E1,E2
	C363	CK73HB0J474K	CHIP C	0.47UF 6.3V K	1	E1,E2
	C371	CK73HB1E103K	CHIP C	0.010UF 25V K	1	E1,E2
	C402	CK73HB1H102K	CHIP C	1000PF 50V K	1	K0,M1,E1,K1,M3,E2,R1
	C403	CK73FB0J106K	CHIP C	10UF 6.3V K	1	K0,M1,E1,K1,M3,E2,R1
	C404	CK73HB1E223K	CHIP C	0.022UF 25V K	1	K0,M1,E1,K1,M3,E2,R1
	C405	CK73FB0J106K	CHIP C	10UF 6.3V K	1	K0,M1,E1,K1,M3,E2,R1
	C406	CK73HB1A104K	CHIP C	0.10UF 10V K	1	K0,M1,E1,K1,M3,E2,R1
	C411	CC73GCH1H150J	CHIP C	15PF 50V J	1	K0,M1,E1,K1,M3,E2,R1
	C413	CC73HCH1H060D	CHIP C	6.0PF 50V D	1	K0,M1,E1,K1,M3,E2,R1
	C421	CK73GB1H104K	CHIP C	0.10UF 50V K	1	K0,M1,E1,K1,M3,E2,R1
	C431	CC73GCH1H220J	CHIP C	22PF 50V J	1	K0,M1,E1,K1,M3,E2,R1
	C432	CC73GCH1H220J	CHIP C	22PF 50V J	1	K0,M1,E1,K1,M3,E2,R1
	C451	CC73GCH1H060D	CHIP C	6.0PF 50V D	1	K0,M1,E1,K1,M3,E2,R1
	C452	CC73GCH1H040C	CHIP C	4.0PF 50V C	1	K0,M1,E1,K1,M3,E2,R1
	C453	CK73GB1H102K	CHIP C	1000PF 50V K	1	K0,M1,E1,K1,M3,E2,R1
	C454	CC73GCH1H560J	CHIP C	56PF 50V J	1	K0,M1,E1,K1,M3,E2,R1
	C455	CC73GCH1H080D	CHIP C	8.0PF 50V D	1	K0,M1,E1,K1,M3,E2,R1
	C462	CK73HB1E103K	CHIP C	0.010UF 25V K	1	K0,M1,E1,K1,M3,E2,R1
	C463	CK73HB1H102K	CHIP C	1000PF 50V K	1	K0,M1,E1,K1,M3,E2,R1
	C464	CC73GCH1H030C	CHIP C	3.0PF 50V C	1	K0,M1,E1,K1,M3,E2,R1
	C501	CK73GB1C105K	CHIP C	1.0UF 16V K	1	K0,K1
	C502	CK73GB1C105K	CHIP C	1.0UF 16V K	1	K0,K1
	C503	CK73GB1C105K	CHIP C	1.0UF 16V K	1	K0,K1
	C511	CK73GB1H104K	CHIP C	0.10UF 50V K	1	K0,E1,K1,E2
	C512	CK73GB1H104K	CHIP C	0.10UF 50V K	1	K0,E1,K1,E2
	C571	CK73HB1H102K	CHIP C	1000PF 50V K	1	K0,M1,M2,X1,E1,M3,M4 ,X2
	C601	CE32CA1C100M	CHIP EL	10UF 16V M	1	
	C602	CE32CA1C100M	CHIP EL	10UF 16V M	1	
	C603	CK73EB1C106K	CHIP C	10UF 16V K	1	
	C604	CK73EB1C106K	CHIP C	10UF 16V K	1	
	C605	CK73EB1C106K	CHIP C	10UF 16V K	1	
	C610	CK73EB1C106K	CHIP C	10UF 16V K	1	
	C611	CK73HB1E103K	CHIP C	0.010UF 25V K	1	
	C612	CK73GB1C105K	CHIP C	1.0UF 16V K	1	
	C613	CK73GB1C105K	CHIP C	1.0UF 16V K	1	

MODEL	MARK	MODEL	MARK	MODEL	MARK	MODEL	MARK
DNN990HD	K0	DNN9330BT	M1	DNN9330BTM	M2	DNN9330BT	X1
DNN9230DAB	E1	DNX890HD	K1	DNX7330BT	M3	DNX7330BTM	M4
DNX7330BT	X2	DNX7230DAB	E2	DNX7700BT	R1		

Safe	Symbol No.	Parts No.	Parts Name	Description	QTY	Local
	C614	CK73GB1C105K	CHIP C	1.0UF 16V K	1	
	C616	CK73GB1C105K	CHIP C	1.0UF 16V K	1	
	C618	CK73GB1C105K	CHIP C	1.0UF 16V K	1	
	C619	CK73GB1H102K	CHIP C	1000PF 50V K	1	
	C701	CK73HB1H222K	CHIP C	2200PF 50V K	1	
	C702	CK73HB1H222K	CHIP C	2200PF 50V K	1	
	C703	CK73HB1H222K	CHIP C	2200PF 50V K	1	
	C704	CK73HB1H222K	CHIP C	2200PF 50V K	1	
	C705	CK73HB1H222K	CHIP C	2200PF 50V K	1	
	C706	CK73HB1H222K	CHIP C	2200PF 50V K	1	
	C711	CK73GB0J475K	CHIP C	4.7UF 6.3V K	1	
	C712	CK73GB0J475K	CHIP C	4.7UF 6.3V K	1	
	C713	CK73GB0J475K	CHIP C	4.7UF 6.3V K	1	
	C714	CK73GB0J475K	CHIP C	4.7UF 6.3V K	1	
	C715	CK73GB0J475K	CHIP C	4.7UF 6.3V K	1	
	C716	CK73GB0J475K	CHIP C	4.7UF 6.3V K	1	
	C721	CK73GB0J475K	CHIP C	4.7UF 6.3V K	1	
	C722	CK73GB0J475K	CHIP C	4.7UF 6.3V K	1	
	C723	CK73GB0J475K	CHIP C	4.7UF 6.3V K	1	
	C731	CK73FB0J106K	CHIP C	10UF 6.3V K	1	
	C732	CK73GB1H104K	CHIP C	0.10UF 50V K	1	
	C733	CK73FB0J106K	CHIP C	10UF 6.3V K	1	
	C734	CK73GB1H104K	CHIP C	0.10UF 50V K	1	
	C735	CK73GB0J225K	CHIP C	2.2UF 6.3V K	1	
	C736	CK73GB1H104K	CHIP C	0.10UF 50V K	1	
	C741	CK73FB0J106K	CHIP C	10UF 6.3V K	1	
	C742	CK73HB1A104K	CHIP C	0.10UF 10V K	1	
	C743	CK73GB0J225K	CHIP C	2.2UF 6.3V K	1	
	C744	CK73GB1H104K	CHIP C	0.10UF 50V K	1	
	C751	CC73HCH1H100D	CHIP C	10PF 50V D	1	
	C752	CC73HCH1H100D	CHIP C	10PF 50V D	1	
	C761	CK73GB1C105K	CHIP C	1.0UF 16V K	1	
	C767	CC73HCH1H020C	CHIP C	2.0PF 50V C	1	
	C768	CC73HCH1H020C	CHIP C	2.0PF 50V C	1	
	C769	CK73HB1H102K	CHIP C	1000PF 50V K	1	
	C781	CK73GB1H104K	CHIP C	0.10UF 50V K	1	
	C782	CK73FB1C106K	CHIP C	10UF 16V K	1	
	C783	CK73FB1C106K	CHIP C	10UF 16V K	1	
	C784	CK73HB1E103K	CHIP C	0.010UF 25V K	1	
	C785	CK73GB1H104K	CHIP C	0.10UF 50V K	1	
	C786	CK73HB1E103K	CHIP C	0.010UF 25V K	1	
	C787	CK73GB1H104K	CHIP C	0.10UF 50V K	1	
	C788	CK73HB1E103K	CHIP C	0.010UF 25V K	1	
	C790	CK73GB1H104K	CHIP C	0.10UF 50V K	1	
	C811	CK73HB1A104K	CHIP C	0.10UF 10V K	1	K0,E1,K1,R1
	C813	CC73HCH1H100D	CHIP C	10PF 50V D	1	K0,E1,K1,R1
	C814	CK73HB1A104K	CHIP C	0.10UF 10V K	1	K0,E1,K1,R1
	C831	CK73FB0J106K	CHIP C	10UF 6.3V K	1	K0,E1,K1,R1
	C832	CK73HB1A104K	CHIP C	0.10UF 10V K	1	K0,E1,K1,R1
	C838	CK73HB1E103K	CHIP C	0.010UF 25V K	1	K0,E1,K1,R1
	C841	CK73FB0J106K	CHIP C	10UF 6.3V K	1	K0,E1,K1,R1
	C842	CK73FB0J106K	CHIP C	10UF 6.3V K	1	K0,E1,K1,R1
	C843	CK73HB1A104K	CHIP C	0.10UF 10V K	1	K0,E1,K1,R1
	C844	CK73HB1A104K	CHIP C	0.10UF 10V K	1	K0,E1,K1,R1
	C862	CK73GB1C105K	CHIP C	1.0UF 16V K	1	K0,E1,K1,R1
	C961	CK73HB1E103K	CHIP C	0.010UF 25V K	1	M1,M2,X1,M3,M4,X2,R1
	R11	RK73GH2A392D	CHIP R	3.9K D 1/10W	1	
	R12	RK73GH2A221D	CHIP R	220 D 1/10W	1	
	R13	RK73GH2A751D	CHIP R	750 D 1/10W	1	
	R15	RK73GH2A273D	CHIP R	27K D 1/10W	1	
	R16	RK73GB2A000J	CHIP R	0.0 J 1/10W 1608	1	
	R17	RK73GH2A472D	CHIP R	4.7K D 1/10W	1	
	R18	RK73HB1J101J	CHIP R	100 J 1/16W	1	
	R19	RK73HB1J000J	CHIP R	0.0 J 1/16W	1	
	R23	RK73FB2B000J	CHIP R	0.0 J 1/8W 2125	1	
	R24	RK73FB2B000J	CHIP R	0.0 J 1/8W 2125	1	
	R25	RK73FB2B000J	CHIP R	0.0 J 1/8W 2125	1	
	R26	RK73FB2B000J	CHIP R	0.0 J 1/8W 2125	1	
	R27	RK73FB2B000J	CHIP R	0.0 J 1/8W 2125	1	
	R31	RK73EB2E622J	CHIP R	6.2K J 1/4W	1	
	R32	RK73EB2E622J	CHIP R	6.2K J 1/4W	1	
	R33	RK73EB2E153J	CHIP R	15K J 1/4W	1	
	R34	RK73HB1J912J	CHIP R	9.1K J 1/16W	1	
	R40	RK73GB2A000J	CHIP R	0.0 J 1/10W 1608	1	E1,E2
	R41	RK73FB2B472J	CHIP R	4.7K J 1/8W	1	
	R42	RK73FB2B472J	CHIP R	4.7K J 1/8W	1	K0,M1,M2,X1,K1,M3,M4,X2,R1
	R45	RK73GB2A3R3J	CHIP R	3.3 J 1/10W	1	
	R51	RK73HB1J102J	CHIP R	1.0K J 1/16W	1	
	R52	RK73GB2A272J	CHIP R	2.7K J 1/10W	1	
	R61	RK73GB2A152J	CHIP R	1.5K J 1/10W	1	
	R72	RK73HB1J123J	CHIP R	12K J 1/16W	1	
	R73	RK73HB1J683J	CHIP R	68K J 1/16W	1	
	R74	RK73HB1J103J	CHIP R	10K J 1/16W	1	
	R109	RK73HB1J6R8J	CHIP R	6.8 J 1/16W	1	
	R141	RK73GB2A562J	CHIP R	5.6K J 1/10W	1	
	R142	RK73HB1J331J	CHIP R	330 J 1/16W	1	
	R143	RK73HB1J473J	CHIP R	47K J 1/16W	1	
	R144	RK73HB1J182J	CHIP R	1.8K J 1/16W	1	
	R145	RK73HB1J473J	CHIP R	47K J 1/16W	1	
	R151	RK73HB1J471J	CHIP R	470 J 1/16W	1	
	R152	RK73HB1J471J	CHIP R	470 J 1/16W	1	

MODEL	MARK	MODEL	MARK	MODEL	MARK	MODEL	MARK
DNN990HD	K0	DNN9330BT	M1	DNN9330BTM	M2	DNN9330BT	X1
DNN9230DAB	E1	DNX890HD	K1	DNX7330BT	M3	DNX7330BTM	M4
DNX7330BT	X2	DNX7230DAB	E2	DNX7700BT	R1		

Safe	Symbol No.	Parts No.	Parts Name	Description	QTY	Local
	R153	RK73HB1J471J	CHIP R	470 J 1/16W	1	
	R154	RK73HB1J471J	CHIP R	470 J 1/16W	1	
	R155	RK73HB1J471J	CHIP R	470 J 1/16W	1	
	R159	RK73HB1J473J	CHIP R	47K J 1/16W	1	
	R161	RK73HB1J223J	CHIP R	22K J 1/16W	1	
	R162	RK73HB1J223J	CHIP R	22K J 1/16W	1	
	R163	RK73HB1J223J	CHIP R	22K J 1/16W	1	
	R164	RK73HB1J223J	CHIP R	22K J 1/16W	1	
	R165	RK73HB1J223J	CHIP R	22K J 1/16W	1	
	R171	RK73GB2A101J	CHIP R	100 J 1/10W	1	
	R172	RK73GB2A101J	CHIP R	100 J 1/10W	1	
	R173	RK73GB2A101J	CHIP R	100 J 1/10W	1	
	R174	RK73GB2A101J	CHIP R	100 J 1/10W	1	
	R175	RK73GB2A101J	CHIP R	100 J 1/10W	1	
	R191	RK73HB1J471J	CHIP R	470 J 1/16W	1	
	R192	RK73HB1J471J	CHIP R	470 J 1/16W	1	
	R193	RK73HB1J223J	CHIP R	22K J 1/16W	1	
	R194	RK73HB1J223J	CHIP R	22K J 1/16W	1	
	R195	RK73GB2A101J	CHIP R	100 J 1/10W	1	
	R196	RK73GB2A101J	CHIP R	100 J 1/10W	1	
	R201	RK73GB2A2R2J	CHIP R	2.2 J 1/10W	1	
	R202	RK73HB1J102J	CHIP R	1.0K J 1/16W	1	
	R204	RK73HB1J103J	CHIP R	10K J 1/16W	1	
	R205	RK73HB1J101J	CHIP R	100 J 1/16W	1	
	R206	RK73HB1J101J	CHIP R	100 J 1/16W	1	
	R207	RK73GB2A683J	CHIP R	68K J 1/10W	1	
	R208	RK73GB2A362J	CHIP R	3.6K J 1/10W	1	
	R261	RK73GB2A2R2J	CHIP R	2.2 J 1/10W	1	
	R262	RK73HB1J473J	CHIP R	47K J 1/16W	1	
	R263	RK73HB1J223J	CHIP R	22K J 1/16W	1	
	R271	RK73HB1J101J	CHIP R	100 J 1/16W	1	
	R272	RK73HB1J103J	CHIP R	10K J 1/16W	1	
	R273	RK73HB1J101J	CHIP R	100 J 1/16W	1	
	R274	RK73HB1J103J	CHIP R	10K J 1/16W	1	
	R301	RK73HB1J392J	CHIP R	3.9K J 1/16W	1	
	R302	RK73HB1J103J	CHIP R	10K J 1/16W	1	
	R331	RK73GB2A000J	CHIP R	0.0 J 1/10W 1608	1	K0,K1
	R332	RK73GB2A000J	CHIP R	0.0 J 1/10W 1608	1	K0,K1
	R333	RK73GB2A000J	CHIP R	0.0 J 1/10W 1608	1	K0,K1
	R334	RK73GB2A000J	CHIP R	0.0 J 1/10W 1608	1	K0,K1
	R351	RK73GH2A752D	CHIP R	7.5K D 1/10W	1	E1,E2
	R352	RK73GH2A472D	CHIP R	4.7K D 1/10W	1	E1,E2
	R353	RK73GB2A2R2J	CHIP R	2.2 J 1/10W	1	E1,E2
	R354	RK73FB2B1R0J	CHIP R	1.0 J 1/8W	1	E1,E2
	R355	RK73FB2B1R0J	CHIP R	1.0 J 1/8W	1	E1,E2
	R361	RK73GB2A2R2J	CHIP R	2.2 J 1/10W	1	E1,E2
	R362	RK73HB1J473J	CHIP R	47K J 1/16W	1	E1,E2
	R363	RK73HB1J102J	CHIP R	1.0K J 1/16W	1	E1,E2
	R364	RK73HB1J473J	CHIP R	47K J 1/16W	1	E1,E2
	R365	RK73HB1J473J	CHIP R	47K J 1/16W	1	E1,E2
	R366	RK73HB1J473J	CHIP R	47K J 1/16W	1	E1,E2
	R367	RK73HB1J473J	CHIP R	47K J 1/16W	1	E1,E2
	R371	RK73HB1J472J	CHIP R	4.7K J 1/16W	1	E1,E2
	R372	RK73HB1J472J	CHIP R	4.7K J 1/16W	1	E1,E2
	R373	RK73HB1J102J	CHIP R	1.0K J 1/16W	1	E1,E2
	R374	RK73HB1J472J	CHIP R	4.7K J 1/16W	1	E1,E2
	R375	RK73HB1J472J	CHIP R	4.7K J 1/16W	1	E1,E2
	R377	RK73HB1J103J	CHIP R	10K J 1/16W	1	E1,E2
	R378	RK73HB1J000J	CHIP R	0.0 J 1/16W	1	E1,E2
	R379	RK73HB1J102J	CHIP R	1.0K J 1/16W	1	E1,E2
	R383	RK73HB1J472J	CHIP R	4.7K J 1/16W	1	E1,E2
	R385	RK73HB1J472J	CHIP R	4.7K J 1/16W	1	E1,E2
	R387	RK73HB1J562J	CHIP R	5.6K J 1/16W	1	E1,E2
	R391	RK73GB2A000J	CHIP R	0.0 J 1/10W 1608	1	E1,E2
	R402	RK73HB1J103J	CHIP R	10K J 1/16W	1	K0,M1,E1,K1,M3,E2,R1
	R421	RK73HB1J202J	CHIP R	2.0K J 1/16W	1	K0,M1,E1,K1,M3,E2,R1
	R422	RK73HB1J272J	CHIP R	2.7K J 1/16W	1	K0,M1,E1,K1,M3,E2,R1
	R423	RK73HB1J471J	CHIP R	470 J 1/16W	1	K0,M1,E1,K1,M3,E2,R1
	R424	RK73HB1J471J	CHIP R	470 J 1/16W	1	K0,M1,E1,K1,M3,E2,R1
	R425	RK73HB1J221J	CHIP R	220 J 1/16W	1	K0,M1,E1,K1,M3,E2,R1
	R426	RK73HB1J272J	CHIP R	2.7K J 1/16W	1	K0,M1,E1,K1,M3,E2,R1
	R432	RK73GB2A202J	CHIP R	2.0K J 1/10W	1	K0,M1,E1,K1,M3,E2,R1
	R452	RK73GB2A683J	CHIP R	68K J 1/10W	1	K0,M1,E1,K1,M3,E2,R1
	R453	RK73GB2A153J	CHIP R	15K J 1/10W	1	K0,M1,E1,K1,M3,E2,R1
	R454	RK73GB2A393J	CHIP R	39K J 1/10W	1	K0,M1,E1,K1,M3,E2,R1
	R455	RK73GB2A623J	CHIP R	62K J 1/10W	1	K0,M1,E1,K1,M3,E2,R1
	R456	RK73GB2A472J	CHIP R	4.7K J 1/10W	1	K0,M1,E1,K1,M3,E2,R1
	R457	RK73GB2A200J	CHIP R	20 J 1/10W	1	K0,M1,E1,K1,M3,E2,R1
	R471	RK73GB2A000J	CHIP R	0.0 J 1/10W 1608	1	
	R501	RK73GB2A100J	CHIP R	10 J 1/10W	1	K0,K1
	R502	RK73GB2A100J	CHIP R	10 J 1/10W	1	K0,K1
	R503	RK73GB2A4R7J	CHIP R	4.7 J 1/10W	1	K0,K1
	R504	RK73GB2A102J	CHIP R	1.0K J 1/10W	1	K0,K1
	R511	RK73GB2A101J	CHIP R	100 J 1/10W	1	K0,E1,K1,E2
	R512	RK73GB2A101J	CHIP R	100 J 1/10W	1	K0,E1,K1,E2
	R513	RK73GB2A101J	CHIP R	100 J 1/10W	1	K0,E1,K1,E2
	R515	RK73HB1J272J	CHIP R	2.7K J 1/16W	1	K0,E1,K1,E2
	R516	RK73HB1J473J	CHIP R	47K J 1/16W	1	K0,E1,K1,E2
	R517	RK73HB1J272J	CHIP R	2.7K J 1/16W	1	K0,E1,K1,E2
	R551	RK73GB2A470J	CHIP R	47 J 1/10W	1	K0,M1,M2,X1,E1,M3,M4,X2

MODEL	MARK	MODEL	MARK	MODEL	MARK	MODEL	MARK
DNN990HD	K0	DNN9330BT	M1	DNN9330BTM	M2	DNN9330BT	X1
DNN9230DAB	E1	DNX890HD	K1	DNX7330BT	M3	DNX7330BTM	M4
DNX7330BT	X2	DNX7230DAB	E2	DNX7700BT	R1		

Safe	Symbol No.	Parts No.	Parts Name	Description	QTY	Local
	R552	RK73GH2A472D	CHIP R	4.7K D 1/10W	1	M1,M2,X1,M3,M4,X2
	R553	RK73EB2E511J	CHIP R	510 J 1/4W	1	M1,M2,X1,M3,M4,X2
	R554	RK73GB2A101J	CHIP R	100 J 1/10W	1	K0,E1
	R554	RK73GB2A152J	CHIP R	1.5K J 1/10W	1	M1,M2,X1,M3,M4,X2
	R555	RK73GB2A101J	CHIP R	100 J 1/10W	1	K0,E1
	R555	RK73GB2A681J	CHIP R	680 J 1/10W	1	M1,M2,X1,M3,M4,X2
	R556	RK73GB2A104J	CHIP R	100K J 1/10W	1	M1,M2,X1,M3,M4,X2
	R557	RK73GB2A102J	CHIP R	1.0K J 1/10W	1	M1,M2,X1,M3,M4,X2
	R561	RK73GB2A470J	CHIP R	47 J 1/10W	1	M1,M2,X1,M3,M4,X2
	R562	RK73GH2A472D	CHIP R	4.7K D 1/10W	1	M1,M2,X1,M3,M4,X2
	R563	RK73EB2E511J	CHIP R	510 J 1/4W	1	M1,M2,X1,M3,M4,X2
	R564	RK73GB2A152J	CHIP R	1.5K J 1/10W	1	M1,M2,X1,M3,M4,X2
	R565	RK73GB2A681J	CHIP R	680 J 1/10W	1	M1,M2,X1,M3,M4,X2
	R566	RK73GB2A104J	CHIP R	100K J 1/10W	1	M1,M2,X1,M3,M4,X2
	R567	RK73GB2A102J	CHIP R	1.0K J 1/10W	1	M1,M2,X1,M3,M4,X2
	R611	RK73GB2A2R2J	CHIP R	2.2 J 1/10W	1	
	R612	RK73HB1J103J	CHIP R	10K J 1/16W	1	
	R614	RK73HB1J102J	CHIP R	1.0K J 1/16W	1	
	R615	RK73HB1J100J	CHIP R	10 J 1/16W	1	
	R616	RK73HB1J684J	CHIP R	680K J 1/16W	1	
	R701	RK73HB1J471J	CHIP R	470 J 1/16W	1	
	R702	RK73HB1J471J	CHIP R	470 J 1/16W	1	
	R703	RK73HB1J471J	CHIP R	470 J 1/16W	1	
	R704	RK73HB1J471J	CHIP R	470 J 1/16W	1	
	R705	RK73HB1J471J	CHIP R	470 J 1/16W	1	
	R706	RK73HB1J471J	CHIP R	470 J 1/16W	1	
	R731	RK73HB1J473J	CHIP R	47K J 1/16W	1	
	R732	RK73HB1J472J	CHIP R	4.7K J 1/16W	1	
	R733	RK73GB2A2R2J	CHIP R	2.2 J 1/10W	1	
	R734	RK73GB2A2R2J	CHIP R	2.2 J 1/10W	1	
	R735	RK73GB2A102J	CHIP R	1.0K J 1/10W	1	
	R751	RK73HB1J105J	CHIP R	1.0M J 1/16W	1	
	R752	RK73HB1J101J	CHIP R	100 J 1/16W	1	
	R761	RK73HB1J101J	CHIP R	100 J 1/16W	1	
	R762	RK73HB1J101J	CHIP R	100 J 1/16W	1	
	R763	RK73HB1J101J	CHIP R	100 J 1/16W	1	
	R764	RK73HB1J473J	CHIP R	47K J 1/16W	1	
	R765	RK73HB1J473J	CHIP R	47K J 1/16W	1	
	R768	RK73HB1J300J	CHIP R	30 J 1/16W	1	
	R769	RK73HB1J100J	CHIP R	10 J 1/16W	1	
	R771	RK73HB1J000J	CHIP R	0.0 J 1/16W	1	M1,M2,X1,M3,M4,X2,E2
	R772	RK73HB1J000J	CHIP R	0.0 J 1/16W	1	M1,M2,X1,M3,M4,X2,E2
	R773	RK73HB1J000J	CHIP R	0.0 J 1/16W	1	M1,M2,X1,M3,M4,X2,E2
	R781	RK73HB1J511J	CHIP R	510 J 1/16W	1	
	R782	RK73HB1J104J	CHIP R	100K J 1/16W	1	
	R783	RK73HB1J122J	CHIP R	1.2K J 1/16W	1	
	R784	RK73HB1J562J	CHIP R	5.6K J 1/16W	1	
	R785	RK73HB1J103J	CHIP R	10K J 1/16W	1	
	R786	RK73HB1J103J	CHIP R	10K J 1/16W	1	
	R787	RK73HB1J105J	CHIP R	1.0M J 1/16W	1	
	R801	RK73GB2A620J	CHIP R	62 J 1/10W	1	K0,E1,K1,R1
	R802	RK73GB2A620J	CHIP R	62 J 1/10W	1	K0,E1,K1,R1
	R803	RK73GB2A620J	CHIP R	62 J 1/10W	1	K0,E1,K1,R1
	R811	RK73GB2A620J	CHIP R	62 J 1/10W	1	K0,E1,K1,R1
	R839	RK73HB1J100J	CHIP R	10 J 1/16W	1	K0,E1,K1,R1
	R841	RK73HB1J473J	CHIP R	47K J 1/16W	1	K0,E1,K1,R1
	R842	RK73HH1J183D	CHIP R	18K D 1/16W	1	K0,E1,K1,R1
	R843	RK73HB1J103J	CHIP R	10K J 1/16W	1	K0,E1,K1,R1
	R844	RK73HB1J103J	CHIP R	10K J 1/16W	1	K0,E1,K1,R1
	R845	RK73HB1J473J	CHIP R	47K J 1/16W	1	K0,E1,K1,R1
	R846	RK73HB1J473J	CHIP R	47K J 1/16W	1	K0,E1,K1,R1
	R847	RK73HB1J473J	CHIP R	47K J 1/16W	1	K0,E1,K1,R1
	R848	RK73HB1J473J	CHIP R	47K J 1/16W	1	K0,E1,K1,R1
	R849	RK73GB2A2R2J	CHIP R	2.2 J 1/10W	1	K0,E1,K1,R1
	R861	RK73HB1J101J	CHIP R	100 J 1/16W	1	K0,E1,K1,R1
	R969	RK73GB2A000J	CHIP R	0.0 J 1/10W 1608	1	
	R970	RK73GB2A000J	CHIP R	0.0 J 1/10W 1608	1	
△	L1	L33-2459-05	CHOKE COIL ASSY		1	
	L301	L41-4792-62	SMALL FIXED INDUCTOR	4.7U	1	
	L401	L92-0330-05	CHIP FERRITE		1	K0,M1,E1,K1,M3,E2,R1
	L402	L92-0330-05	CHIP FERRITE		1	K0,M1,E1,K1,M3,E2,R1
	L411	L41-1585-52	SMALL FIXED INDUCTOR	LBM2016 150NH	1	K0,M1,E1,K1,M3,E2,R1
	L412	L41-2278-61	SMALL FIXED INDUCTOR	C2012C-RD 22N G2%	1	K0,M1,E1,K1,M3,E2,R1
	L451	L41-5685-52	SMALL FIXED INDUCTOR	LBM2016 560NH	1	K0,M1,E1,K1,M3,E2,R1
	L452	L41-1585-52	SMALL FIXED INDUCTOR	LBM2016 150NH	1	K0,M1,E1,K1,M3,E2,R1
	L461	L92-0330-05	CHIP FERRITE		1	K0,M1,E1,K1,M3,E2,R1
	L511	L41-4792-62	SMALL FIXED INDUCTOR	4.7U	1	K0,E1,K1,E2
	L601	L40-1091-86	SMALL FIXED INDUCTOR	1U	1	
	A301	X86-4310-11	TUNER UNIT		1	K0,K1
	A301	X86-4302-72	TUNER UNIT		1	M1,M2,X1,M3,M4,X2
	A301	X86-4312-70	TUNER UNIT		1	E1,E2
	A301	X86-4300-13	TUNER UNIT		1	R1
	CN201	E41-3405-05	FLAT CABLE CONNECTOR	50PIN AU	1	
	CN301	E41-3416-05	PIN ASSY	9827S-70Y930	1	

MODEL	MARK	MODEL	MARK	MODEL	MARK	MODEL	MARK
DNN990HD	K0	DNN9330BT	M1	DNN9330BTM	M2	DNN9330BT	X1
DNN9230DAB	E1	DNX890HD	K1	DNX7330BT	M3	DNX7330BTM	M4
DNX7330BT	X2	DNX7230DAB	E2	DNX7700BT	R1		

Safe	Symbol No.	Parts No.	Parts Name	Description	QTY	Local
△	CN781	E41-3087-05	PIN ASSY	5PIN 53398-0571	1	
	J1	E58-0991-05	RECTANGULAR RECEPTACLE	DC-CN	1	
	J151	E63-1603-05	PIN JACK	7PIN 3PRE AU	1	K0,K1,R1
	J151	E63-1602-05	PIN JACK	7PIN 3PRE NI	1	M1,M2,X1,E1,M3,M4,X2,E2
	J191	E11-0625-05	PHONE JACK	LGY6502-0900	1	
	J351	E04-0348-05	RF COAXIAL CABLE RECEPTACLE		1	E1,E2
	J501	QNZ0907-001	CIR CONNECTOR		1	K0,E1,K1,E2
	J551	E11-0665-05	PHONE JACK	LGY6502-0950(GREEN)	1	K0,E1
	J551	E11-0625-05	PHONE JACK	LGY6502-0900	1	M1,M2,X1,M3,M4,X2
	TH101	B59601A0085B0	THERMISTOR		1	
	W301	E30-6883-05	CORD WITH PLUG(ANT)		1	
	X431	L77-2921-15	CRYSTAL RESONATOR	32.768KHZ 12.5PF	1	K0,M1,E1,K1,M3,E2,R1
	X701	L77-3874-05	CRYSTAL RESONATOR	NX3225GA 22.5792MHZ	1	

SWITCH UNIT (X16-7310-10) <X16>

IC1	PIC95603	IC(ANALOGUE)		1	
D1	B30-1779-05	LED	1608_SR	1	
D2	AVRM16120M6AB	VARIATOR	AVR-M1608C120MT6AB	1	
D4	B30-1784-05	LED	RGB SIDE	1	
D9	B30-1784-05	LED	RGB SIDE	1	
D10	MA2S784-F	DIODE		1	
D11	MA2S784-F	DIODE		1	
D12	AVRM16120M6AB	VARIATOR	AVR-M1608C120MT6AB	1	
C2	CK73GB1A105K	CHIP C	1.0UF 10V K	1	
R2	RK73GB2A242J	CHIP R	2.4K J 1/10W	1	
R3	RK73GB2A362J	CHIP R	3.6K J 1/10W	1	
R5	RK73GB2A622J	CHIP R	6.2K J 1/10W	1	
R6	RK73GB2A123J	CHIP R	12K J 1/10W	1	
R7	RK73GB2A363J	CHIP R	36K J 1/10W	1	
CN1	E41-3101-05	FLAT CABLE CONNECTOR	14PIN AU	1	
S1	S70-0971-05	TACT SWITCH	0.35MM/1.57N	1	
S2	S70-0948-05	TACT SWITCH	LS16B2	1	
S3	S70-0948-05	TACT SWITCH	LS16B2	1	
S4	S70-0948-05	TACT SWITCH	LS16B2	1	
S5	S70-0948-05	TACT SWITCH	LS16B2	1	
S6	S70-0948-05	TACT SWITCH	LS16B2	1	
S7	S70-0948-05	TACT SWITCH	LS16B2	1	
S8	S70-0948-05	TACT SWITCH	LS16B2	1	
S9	S70-0948-05	TACT SWITCH	LS16B2	1	

PROCESSOR UNIT (X17-2232-70) <X17>

D5	VR1005DDA080	VARIATOR	5.5V 8V 480P	1	E1,E2
D6	VR1005AAA270	VARIATOR	15V 27V 40P	1	E1,E2
D7	VR1005AAA270	VARIATOR	15V 27V 40P	1	E1,E2
D8	VR1005DDA080	VARIATOR	5.5V 8V 480P	1	E1,E2
D9	VR1005DDA080	VARIATOR	5.5V 8V 480P	1	E1,E2
D10	VR105C3R3BAA	VARIATOR	10V 40V 3.3P1005	1	E1,E2
D11	VR1005DDA080	VARIATOR	5.5V 8V 480P	1	E1,E2
D12	VR1005DDA080	VARIATOR	5.5V 8V 480P	1	E1,E2
D13	VR1005DDA080	VARIATOR	5.5V 8V 480P	1	E1,E2
D14	VR105C3R3BAA	VARIATOR	10V 40V 3.3P1005	1	E1,E2
D15	VR105C3R3BAA	VARIATOR	10V 40V 3.3P1005	1	E1,E2
D16	VR105C3R3BAA	VARIATOR	10V 40V 3.3P1005	1	E1,E2
D17	VR105C3R3BAA	VARIATOR	10V 40V 3.3P1005	1	E1,E2
D18	VR1005DDA080	VARIATOR	5.5V 8V 480P	1	E1,E2
D19	VR1005AAA270	VARIATOR	15V 27V 40P	1	E1,E2
D20	VR1005DDA080	VARIATOR	5.5V 8V 480P	1	E1,E2
D21	VR1005AAA270	VARIATOR	15V 27V 40P	1	E1,E2
D22	VR1005DDA080	VARIATOR	5.5V 8V 480P	1	E1,E2
D23	VR1005DDA080	VARIATOR	5.5V 8V 480P	1	E1,E2
D24	VR1005DDA080	VARIATOR	5.5V 8V 480P	1	E1,E2
D25	VR1005DDA080	VARIATOR	5.5V 8V 480P	1	E1,E2
D26	VR1005DDA080	VARIATOR	5.5V 8V 480P	1	E1,E2
D204	VR1005DDA080	VARIATOR	5.5V 8V 480P	1	E1,E2
D205	B30-1779-05	LED	1608_SR	1	E1,E2
D206	VR1005DDA080	VARIATOR	5.5V 8V 480P	1	E1,E2
D207	VR1005AAA270	VARIATOR	15V 27V 40P	1	E1,E2
D208	VR1005AAA270	VARIATOR	15V 27V 40P	1	E1,E2
D209	VR1005DDA080	VARIATOR	5.5V 8V 480P	1	E1,E2
D210	VR1005DDA080	VARIATOR	5.5V 8V 480P	1	E1,E2
D211	VR105C3R3BAA	VARIATOR	10V 40V 3.3P1005	1	E1,E2
D212	VR1005DDA080	VARIATOR	5.5V 8V 480P	1	E1,E2
D213	VR1005DDA080	VARIATOR	5.5V 8V 480P	1	E1,E2
D214	VR1005DDA080	VARIATOR	5.5V 8V 480P	1	E1,E2
D215	VR105C3R3BAA	VARIATOR	10V 40V 3.3P1005	1	E1,E2
D216	VR105C3R3BAA	VARIATOR	10V 40V 3.3P1005	1	E1,E2
D217	VR105C3R3BAA	VARIATOR	10V 40V 3.3P1005	1	E1,E2
D218	VR1005AAA270	VARIATOR	15V 27V 40P	1	E1,E2
D219	VR1005DDA080	VARIATOR	5.5V 8V 480P	1	E1,E2
D220	VR1005AAA270	VARIATOR	15V 27V 40P	1	E1,E2
D221	VR1005DDA080	VARIATOR	5.5V 8V 480P	1	E1,E2
D222	VR1005AAA270	VARIATOR	15V 27V 40P	1	E1,E2
D223	VR1005DDA080	VARIATOR	5.5V 8V 480P	1	E1,E2
D224	VR1005DDA080	VARIATOR	5.5V 8V 480P	1	E1,E2
D225	VR1005DDA080	VARIATOR	5.5V 8V 480P	1	E1,E2
D226	VR1005DDA080	VARIATOR	5.5V 8V 480P	1	E1,E2
D227	VR1005DDA080	VARIATOR	5.5V 8V 480P	1	E1,E2

MODEL	MARK	MODEL	MARK	MODEL	MARK	MODEL	MARK
DNN990HD	K0	DNN9330BT	M1	DNN9330BTM	M2	DNN9330BT	X1
DNN9230DAB	E1	DNX890HD	K1	DNX7330BT	M3	DNX7330BTM	M4
DNX7330BT	X2	DNX7230DAB	E2	DNX7700BT	R1		

Safe	Symbol No.	Parts No.	Parts Name	Description	QTY	Local
	R201	RK73GB2A100J	CHIP R	10 J 1/10W	1	E1,E2
	CN1	E41-3406-05	FLAT CABLE CONNECTOR	60PIN FFC/FPC CONECT	1	E1,E2
	CN200	E41-3406-05	FLAT CABLE CONNECTOR	60PIN FFC/FPC CONECT	1	E1,E2
	J1	E59-0845-05	RECTANGULAR PLUG	20PIN	1	E1,E2
	J2	E59-0845-05	RECTANGULAR PLUG	20PIN	1	E1,E2
	J200	E58-1138-05	RECTANGULAR RECEPTACLE	20PIN	1	E1,E2
	J201	E58-1138-05	RECTANGULAR RECEPTACLE	20PIN	1	E1,E2

VIDEO UNIT (X35-523x-xx) <X35>

IC201	XC6120N422N-G	IC(MOS-IC)	4.2V	1	
IC202	W10-0858-08	IC(PANEL MI-CON)		1	
IC204	TC7SH17FU-F	IC(MOS-IC)		1	K0,M1,M2,X1,E1
IC205	XC6223B331P-G	IC(ANALOGUE)	3.3V	1	
IC206	TC7WH34FK-F	IC(MOS-IC)		1	E1,E2
IC207	MF1337S3959-X	IC(MICROPROCESSOR)		1	
IC301	W10-0859-08	IC(M-STAR DNN LCD ROM)	1MB SPI SOP-8PIN	1	K0,M1,M2,X1,E1
IC301	W10-0861-08	IC(M-STAR DNN LCD ROM)	1MB SPI SOP-8PIN	1	K1,M3,M4,X2,E2,R1
IC302	TC7SH08FU-F	IC(MOS-IC)		1	
IC303	XC6223B331P-G	IC(ANALOGUE)	3.3V	1	
IC304	NJM2107F-ZB	IC(ANALOGUE)	PBFREE	1	
IC305	XC6223B121P-G	IC(ANALOGUE)	1.2V	1	
IC306	XC6223B331P-G	IC(ANALOGUE)	3.3V	1	
IC307	MST7912MD-I	IC(MOS-IC)	LQFP 100PIN	1	
IC308	XC6213B502N-G	IC(ANALOGUE)	5.0V	1	
IC309	XC6223B331P-G	IC(ANALOGUE)	3.3V	1	
IC401	OZ527ILN-A1	IC(ANALOGUE)	24L QFN	1	
IC402	TC7WH08FK-F	IC(MOS-IC)	PB FREE	1	
IC403	TC7SH17FU-F	IC(MOS-IC)		1	
IC404	TC7SH08FU-F	IC(MOS-IC)		1	
IC405	TC7SH32FU-F	IC(MOS-IC)		1	
IC406	XC6216B332M-G	IC(ANALOGUE)	3.3V	1	
IC501	BU21023MUV	IC(MOS-IC)	TWO POINT TOUCH IC	1	K0,M1,M2,X1,E1
IC503	BR24T02FJ-W-X	IC(ROM)		1	K0,M1,M2,X1,E1
IC700	TC7SH17FU-F	IC(MOS-IC)		1	
IC701	A8601KLPTR-T	IC(ANALOGUE)		1	
Q1	LSCR523UBFS8	TRANSISTOR		1	E1,E2
Q2	LTA014YEBFS8	TRANSISTOR		1	E1,E2
Q3	LSAR523UBFS8	TRANSISTOR		1	E1,E2
Q4	RT1E040RP	FET	PCH MOS	1	E1,E2
Q101	LSCR523EBFS8	TRANSISTOR		1	E1,E2
Q102	2SA2094	TRANSISTOR	PNP	1	E1,E2
Q103	LSCR523UBFS8	TRANSISTOR		1	
Q104	LSCR523UBFS8	TRANSISTOR		1	
Q105	LSCR523UBFS8	TRANSISTOR		1	
Q106	LSCR523UBFS8	TRANSISTOR		1	
Q107	LSCR523UBFS8	TRANSISTOR		1	
Q108	LSCR523UBFS8	TRANSISTOR		1	
Q109	LSCR523UBFS8	TRANSISTOR		1	
Q110	LSCR523UBFS8	TRANSISTOR		1	
Q111	LTA014YEBFS8	TRANSISTOR		1	E1,E2
Q112	LTC014YEBFS8	TRANSISTOR		1	E1,E2
Q205	LSCR523UBFS8	TRANSISTOR		1	
Q206	LTC014YEBFS8	TRANSISTOR		1	
Q207	LTC014YEBFS8	TRANSISTOR		1	
Q208	LTC014YEBFS8	TRANSISTOR		1	
Q209	LTC014YEBFS8	TRANSISTOR		1	
Q210	LTC014YEBFS8	TRANSISTOR		1	
Q211	LTC014YEBFS8	TRANSISTOR		1	
Q301	LSAR523UBFS8	TRANSISTOR		1	
Q306	LSCR523UBFS8	TRANSISTOR		1	
Q307	LSAR523UBFS8	TRANSISTOR		1	
Q308	LTC014YEBFS8	TRANSISTOR		1	
Q402	LSCR523UBFS8	TRANSISTOR		1	
Q403	LSAR523UBFS8	TRANSISTOR		1	
Q404	LTC014YEBFS8	TRANSISTOR		1	
Q501	2SC5585	TRANSISTOR	1608 NPN	1	K1,M3,M4,X2,E2,R1
Q502	2SC5585	TRANSISTOR	1608 NPN	1	K1,M3,M4,X2,E2,R1
Q503	2SA2018	TRANSISTOR	1608 PNP	1	K1,M3,M4,X2,E2,R1
Q504	2SA2018	TRANSISTOR	1608 PNP	1	K1,M3,M4,X2,E2,R1
Q505	LTA014YEBFS8	TRANSISTOR		1	K1,M3,M4,X2,E2,R1
Q506	LSCR523UBFS8	TRANSISTOR		1	K1,M3,M4,X2,E2,R1
Q507	LSCR523UBFS8	TRANSISTOR		1	K1,M3,M4,X2,E2,R1
Q700	RT1E040RP	FET	PCH MOS	1	
Q809	RT1E040RP	FET	PCH MOS	1	E1,E2
Q810	LSCR523UBFS8	TRANSISTOR		1	E1,E2
Q811	LTA014YEBFS8	TRANSISTOR		1	E1,E2
Q812	LSAR523UBFS8	TRANSISTOR		1	E1,E2
D1	VR105C3R3BAA	VARIATOR	10V 40V 3.3P1005	1	
D2	VR105C3R3BAA	VARIATOR	10V 40V 3.3P1005	1	
D3	VR105C3R3BAA	VARIATOR	10V 40V 3.3P1005	1	
D4	VR105C3R3BAA	VARIATOR	10V 40V 3.3P1005	1	
D5	VR105C3R3BAA	VARIATOR	10V 40V 3.3P1005	1	
D101	VR1005DDA080	VARIATOR	5.5V 8V 480P	1	
D102	VR1005AAA270	VARIATOR	15V 27V 40P	1	
D103	VR1005AAA270	VARIATOR	15V 27V 40P	1	
D104	VR1005DDA080	VARIATOR	5.5V 8V 480P	1	
D105	VR1005AAA270	VARIATOR	15V 27V 40P	1	

MODEL	MARK	MODEL	MARK	MODEL	MARK	MODEL	MARK
DNN990HD	K0	DNN9330BT	M1	DNN9330BTM	M2	DNN9330BT	X1
DNN9230DAB	E1	DNX890HD	K1	DNX7330BT	M3	DNX7330BTM	M4
DNX7330BT	X2	DNX7230DAB	E2	DNX7700BT	R1		

Safe	Symbol No.	Parts No.	Parts Name	Description	QTY	Local
	D106	VR1005AAA270	VARISTOR	15V 27V 40P	1	
	D107	VR1005AAA270	VARISTOR	15V 27V 40P	1	
	D108	VR1005DDA080	VARISTOR	5.5V 8V 480P	1	
	D109	VR1005AAA270	VARISTOR	15V 27V 40P	1	
	D110	VR1005DDA080	VARISTOR	5.5V 8V 480P	1	
	D203	RB521S-30	DIODE		1	
	D302	HSU119TRF-E	DIODE		1	
	D402	RB162M-40	DIODE	40V	1	
	D503	VR1005AAA270	VARISTOR	15V 27V 40P	1	
	D504	VR1005AAA270	VARISTOR	15V 27V 40P	1	
	D505	VR1005AAA270	VARISTOR	15V 27V 40P	1	
	D506	VR1005AAA270	VARISTOR	15V 27V 40P	1	
	D700	RB162M-40	DIODE	40V	1	
	D702	RB162M-40	DIODE	40V	1	
	D703	RR264M-400	DIODE		1	
	D801	RB521S-30	DIODE		1	E1,E2
	D802	RB521S-30	DIODE		1	E1,E2
	D902	MC2850-T111	DIODE		1	
	D903	MC2850-T111	DIODE		1	
	C1	CK73HB0J105K	CHIP C	1.0UF 6.3V K	1	E1,E2
	C2	CK73GB1A105K	CHIP C	1.0UF 10V K	1	E1,E2
	C101	CK73FB1E475K	CHIP C	4.7UF 25V K	1	E1,E2
	C102	CK73HB1A104K	CHIP C	0.10UF 10V K	1	
	C103	CK73HB1A104K	CHIP C	0.10UF 10V K	1	
	C104	CK73HB1A104K	CHIP C	0.10UF 10V K	1	
	C105	CK73HB1A104K	CHIP C	0.10UF 10V K	1	
	C106	CK73FB0J226M	CHIP C	22UF M	1	
	C107	CK73HB1H102K	CHIP C	1000PF 50V K	1	
	C201	CC73HCH1H101J	CHIP C	100PF 50V J	1	
	C202	CK73HB1A104K	CHIP C	0.10UF 10V K	1	
	C203	CK73HB1A104K	CHIP C	0.10UF 10V K	1	
	C204	CK73HB1A104K	CHIP C	0.10UF 10V K	1	
	C205	CK73HB1A104K	CHIP C	0.10UF 10V K	1	
	C206	CC73HCH1H150J	CHIP C	15PF 50V J	1	
	C207	CC73HCH1H070D	CHIP C	7.0PF 50V D	1	
	C208	CK73HB1A104K	CHIP C	0.10UF 10V K	1	
	C210	CK73HB1H222K	CHIP C	2200PF 50V K	1	
	C211	CK73HB1A104K	CHIP C	0.10UF 10V K	1	K0,M1,M2,X1,E1
	C212	CK73GB0J106M	CHIP C	10UF 6.3V M	1	
	C213	CK73HB0J105K	CHIP C	1.0UF 6.3V K	1	
	C214	CK73HB0J105K	CHIP C	1.0UF 6.3V K	1	
	C215	CK73GB0J106M	CHIP C	10UF 6.3V M	1	
	C216	CK73HB1H222K	CHIP C	2200PF 50V K	1	
	C219	CK73HB0J105K	CHIP C	1.0UF 6.3V K	1	
	C220	CK73HB0J105K	CHIP C	1.0UF 6.3V K	1	
	C221	CC73HCH1H221J	CHIP C	220PF 50V J	1	
	C222	CK73HB1A104K	CHIP C	0.10UF 10V K	1	E1,E2
	C223	CK73HB1A104K	CHIP C	0.10UF 10V K	1	
	C225	CK73HB1A104K	CHIP C	0.10UF 10V K	1	
	C226	CK73GB0J106M	CHIP C	10UF 6.3V M	1	
	C227	CC73HCH1H221J	CHIP C	220PF 50V J	1	
	C302	CK73HB1A104K	CHIP C	0.10UF 10V K	1	
	C303	CK73GB0J106M	CHIP C	10UF 6.3V M	1	
	C304	CK73HB1A104K	CHIP C	0.10UF 10V K	1	
	C305	CK73HB0J105K	CHIP C	1.0UF 6.3V K	1	
	C307	CK73HB1E103K	CHIP C	0.010UF 25V K	1	
	C308	CC73HCH1H101J	CHIP C	100PF 50V J	1	
	C309	CK73GB0J106M	CHIP C	10UF 6.3V M	1	
	C310	CK73GB0J106M	CHIP C	10UF 6.3V M	1	
	C311	CK73HB1A104K	CHIP C	0.10UF 10V K	1	
	C312	CK73HB1E103K	CHIP C	0.010UF 25V K	1	
	C313	CK73HB0J105K	CHIP C	1.0UF 6.3V K	1	
	C314	CK73HB0J105K	CHIP C	1.0UF 6.3V K	1	
	C315	CK73HB1A104K	CHIP C	0.10UF 10V K	1	
	C316	CK73HB0J105K	CHIP C	1.0UF 6.3V K	1	
	C317	CK73HB1A104K	CHIP C	0.10UF 10V K	1	
	C318	CK73FB0J226M	CHIP C	22UF M	1	
	C319	CK73HB1A104K	CHIP C	0.10UF 10V K	1	
	C320	CK73HB1A104K	CHIP C	0.10UF 10V K	1	
	C321	CK73HB1A104K	CHIP C	0.10UF 10V K	1	
	C322	CK73HB1A104K	CHIP C	0.10UF 10V K	1	
	C324	CC73HCH1H470J	CHIP C	47PF 50V J	1	
	C328	CK73HB1A104K	CHIP C	0.10UF 10V K	1	
	C329	CK73HB1A104K	CHIP C	0.10UF 10V K	1	
	C330	CK73HB1E103K	CHIP C	0.010UF 25V K	1	
	C331	CK73HB1A104K	CHIP C	0.10UF 10V K	1	
	C332	CK73HB1A104K	CHIP C	0.10UF 10V K	1	
	C333	CK73HB0J105K	CHIP C	1.0UF 6.3V K	1	
	C334	CK73HB1A104K	CHIP C	0.10UF 10V K	1	
	C335	CC73HCH1H101J	CHIP C	100PF 50V J	1	
	C336	CC73HCH1H101J	CHIP C	100PF 50V J	1	
	C337	CK73HB1A104K	CHIP C	0.10UF 10V K	1	
	C338	CC73HCH1H120J	CHIP C	12PF 50V J	1	
	C339	CC73HCH1H070D	CHIP C	7.0PF 50V D	1	
	C342	CK73GB1A105K	CHIP C	1.0UF 10V K	1	
	C343	CK73HB1A104K	CHIP C	0.10UF 10V K	1	
	C344	CK73HB1A104K	CHIP C	0.10UF 10V K	1	
	C345	CK73HB1H102K	CHIP C	1000PF 50V K	1	
	C346	CC73HCH1H220J	CHIP C	22PF 50V J	1	
	C347	CK73GB1A105K	CHIP C	1.0UF 10V K	1	
	C348	CK73HB1A104K	CHIP C	0.10UF 10V K	1	

MODEL	MARK	MODEL	MARK	MODEL	MARK	MODEL	MARK
DNN990HD	K0	DNN9330BT	M1	DNN9330BTM	M2	DNN9330BT	X1
DNN9230DAB	E1	DNX890HD	K1	DNX7330BT	M3	DNX7330BTM	M4
DNX7330BT	X2	DNX7230DAB	E2	DNX7700BT	R1		

Safe	Symbol No.	Parts No.	Parts Name	Description	QTY	Local
	C349	CK73HB1H102K	CHIP C	1000PF 50V K	1	
	C350	CK73HB1H102K	CHIP C	1000PF 50V K	1	
	C351	CK73HB1H102K	CHIP C	1000PF 50V K	1	
	C352	CK73HB1H102K	CHIP C	1000PF 50V K	1	
	C353	CK73HB1H102K	CHIP C	1000PF 50V K	1	
	C354	CK73HB1H102K	CHIP C	1000PF 50V K	1	
	C355	CK73HB1H102K	CHIP C	1000PF 50V K	1	
	C356	CC73HCH1H101J	CHIP C	100PF 50V J	1	
	C357	CK73HB1H102K	CHIP C	1000PF 50V K	1	
	C358	CK73HB1A104K	CHIP C	0.10UF 10V K	1	
	C359	CK73HB1A104K	CHIP C	0.10UF 10V K	1	
	C360	CK73HB1A104K	CHIP C	0.10UF 10V K	1	
	C361	CK73HB1A104K	CHIP C	0.10UF 10V K	1	
	C362	CK73HB1A104K	CHIP C	0.10UF 10V K	1	
	C363	CK73HB1A104K	CHIP C	0.10UF 10V K	1	
	C364	CK73HB1A104K	CHIP C	0.10UF 10V K	1	
	C365	CK73HB1A104K	CHIP C	0.10UF 10V K	1	
	C366	CK73HB1H102K	CHIP C	1000PF 50V K	1	
	C367	CK73HB0J105K	CHIP C	1.0UF 6.3V K	1	
	C368	CK73GB1A105K	CHIP C	1.0UF 10V K	1	
	C369	CK73HB1A104K	CHIP C	0.10UF 10V K	1	
	C370	CK73HB1A104K	CHIP C	0.10UF 10V K	1	
	C371	CK73HB0J105K	CHIP C	1.0UF 6.3V K	1	
	C372	CK73GB1A105K	CHIP C	1.0UF 10V K	1	
	C401	CK73GB1E105K	CHIP C	1.0UF 25V K	1	E1,E2
	C402	CK73HB1A104K	CHIP C	0.10UF 10V K	1	
	C403	CK73HB1A104K	CHIP C	0.10UF 10V K	1	
	C404	CK73HB1A104K	CHIP C	0.10UF 10V K	1	
	C405	CK73HB1A104K	CHIP C	0.10UF 10V K	1	
	C406	CK73EB1E106K	CHIP C	10UF 25V K	1	
	C407	CK73EB1E106K	CHIP C	10UF 25V K	1	
	C408	CK73EB1E106K	CHIP C	10UF 25V K	1	
	C409	CK73GB1H104K	CHIP C	0.10UF 50V K	1	
	C410	CK73HB1E103K	CHIP C	0.010UF 25V K	1	
	C411	CC73GCH1H471J	CHIP C	470PF 50V J	1	
	C413	CK73GB1H103K	CHIP C	0.010UF 50V K	1	
	C414	CK73GB1H104K	CHIP C	0.10UF 50V K	1	
	C415	CK73EB1H475K	CHIP C	4.7UF 50V K	1	
	C416	CK73EB1H475K	CHIP C	4.7UF 50V K	1	
	C419	CC73HCH1H560J	CHIP C	56PF 50V J	1	
	C420	CK73HB0J224K	CHIP C	0.22UF 6.3V K	1	
	C421	CC73HCH1H101J	CHIP C	100PF 50V J	1	
	C422	CK73GB1E105K	CHIP C	1.0UF 25V K	1	
	C423	CK73HB0J105K	CHIP C	1.0UF 6.3V K	1	
	C424	C93-1509-05	CERAMIC CAPACITOR (TYPE 1)	50V 100PF F	1	
	C425	CK73GB1H104K	CHIP C	0.10UF 50V K	1	
	C426	CK73HB1E103K	CHIP C	0.010UF 25V K	1	
	C427	CK73HB0J105K	CHIP C	1.0UF 6.3V K	1	
	C428	CK73FB1E475K	CHIP C	4.7UF 25V K	1	K0,M1,M2,X1,K1,M3,M4,X2,R1
	C503	CK73GB0J106M	CHIP C	10UF 6.3V M	1	K1,M3,M4,X2,E2,R1
	C504	CK73GB0J106M	CHIP C	10UF 6.3V M	1	K0,M1,M2,X1,E1
	C505	CK73HB0J105K	CHIP C	1.0UF 6.3V K	1	K0,M1,M2,X1,E1
	C506	CK73HB0J105K	CHIP C	1.0UF 6.3V K	1	K0,M1,M2,X1,E1
	C507	CK73HB1A104K	CHIP C	0.10UF 10V K	1	K0,M1,M2,X1,E1
	C508	CK73HB1E103K	CHIP C	0.010UF 25V K	1	K0,M1,M2,X1,E1
	C509	CK73HB1A104K	CHIP C	0.10UF 10V K	1	K0,M1,M2,X1,E1
	C511	CK73HB1A104K	CHIP C	0.10UF 10V K	1	K0,M1,M2,X1,E1
	C601	CK73HB0J105K	CHIP C	1.0UF 6.3V K	1	
	C602	CK73FB1E475K	CHIP C	4.7UF 25V K	1	
	C603	CK73GB1H104K	CHIP C	0.10UF 50V K	1	
	C604	CK73HB1E103K	CHIP C	0.010UF 25V K	1	
	C605	CK73FB1E475K	CHIP C	4.7UF 25V K	1	
	C606	CK73HB1A104K	CHIP C	0.10UF 10V K	1	
	C607	CK73HB1E103K	CHIP C	0.010UF 25V K	1	
	C608	CK73GB0J106M	CHIP C	10UF 6.3V M	1	
	C609	CK73GB0J106M	CHIP C	10UF 6.3V M	1	
	C610	CK73GB0J106M	CHIP C	10UF 6.3V M	1	
	C611	CK73HB1A104K	CHIP C	0.10UF 10V K	1	
	C612	CK73HB1E103K	CHIP C	0.010UF 25V K	1	
	C613	CK73FB1C106K	CHIP C	10UF 16V K	1	
	C614	CK73FB1C106K	CHIP C	10UF 16V K	1	
	C615	CK73FB1C106K	CHIP C	10UF 16V K	1	
	C616	CK73FB1C106K	CHIP C	10UF 16V K	1	
	C617	CK73FB1C106K	CHIP C	10UF 16V K	1	
	C618	CK73GB1H104K	CHIP C	0.10UF 50V K	1	
	C619	CK73HB1E103K	CHIP C	0.010UF 25V K	1	
	C620	CK73HB1A104K	CHIP C	0.10UF 10V K	1	
	C621	CK73HB1A104K	CHIP C	0.10UF 10V K	1	
	C622	CK73HB1A104K	CHIP C	0.10UF 10V K	1	
	C623	CK73HB1A104K	CHIP C	0.10UF 10V K	1	
	C624	CK73HB1A104K	CHIP C	0.10UF 10V K	1	
	C625	CK73HB1A104K	CHIP C	0.10UF 10V K	1	
	C626	CK73HB1A104K	CHIP C	0.10UF 10V K	1	
	C627	CK73HB1A104K	CHIP C	0.10UF 10V K	1	
	C628	CK73GB1H104K	CHIP C	0.10UF 50V K	1	
	C629	CK73GB1H104K	CHIP C	0.10UF 50V K	1	
	C700	CC73GCH1H470J	CHIP C	47PF 50V J	1	
	C701	CK73HB1H472K	CHIP C	4700PF 50V K	1	
	C702	CK73GB1C224K	CHIP C	0.22UF 16V K	1	
	C703	CK73GB1H104K	CHIP C	0.10UF 50V K	1	

MODEL	MARK	MODEL	MARK	MODEL	MARK	MODEL	MARK
DNN990HD	K0	DNN9330BT	M1	DNN9330BTM	M2	DNN9330BT	X1
DNN9230DAB	E1	DNX890HD	K1	DNX7330BT	M3	DNX7330BTM	M4
DNX7330BT	X2	DNX7230DAB	E2	DNX7700BT	R1		

Safe	Symbol No.	Parts No.	Parts Name	Description	QTY	Local
	C704	CC73GCH1H470J	CHIP C	47PF 50V J	1	
	C705	CK73HB1E103K	CHIP C	0.010UF 25V K	1	
	C706	CK73GB1H104K	CHIP C	0.10UF 50V K	1	
	C707	CC73GCH1H470J	CHIP C	47PF 50V J	1	
	C708	CK73FB1C106K	CHIP C	10UF 16V K	1	
	C709	CC73GCH1H470J	CHIP C	47PF 50V J	1	
	C710	CK73FB1C106K	CHIP C	10UF 16V K	1	
	C712	CK73FB1C106K	CHIP C	10UF 16V K	1	
	C713	CK73FB1C106K	CHIP C	10UF 16V K	1	
	C714	CK73FB1C106K	CHIP C	10UF 16V K	1	
	C715	CK73HB1E103K	CHIP C	0.010UF 25V K	1	
	C716	CK73HB1E103K	CHIP C	0.010UF 25V K	1	
	C717	CK73GB1H104K	CHIP C	0.10UF 50V K	1	
	C718	CK73GB1H104K	CHIP C	0.10UF 50V K	1	
	C719	CK73EB1E106K	CHIP C	10UF 25V K	1	
	C720	CK73FB1E474K	CHIP C	0.47UF 25V K	1	
	C721	CK73FB1E474K	CHIP C	0.47UF 25V K	1	
	C722	CK73GB0J106M	CHIP C	10UF 6.3V M	1	
	C723	CK73HB1A104K	CHIP C	0.10UF 10V K	1	
	C724	CK73GB0J106M	CHIP C	10UF 6.3V M	1	
	C725	CK73GB0J106M	CHIP C	10UF 6.3V M	1	
	C728	CK73HB1A104K	CHIP C	0.10UF 10V K	1	
	C729	CK73HB1H471K	CHIP C	470PF 50V K	1	
	C731	CK73HB1E103K	CHIP C	0.010UF 25V K	1	
	C732	CK73HB1A104K	CHIP C	0.10UF 10V K	1	
	C802	CK73HB0J105K	CHIP C	1.0UF 6.3V K	1	E1,E2
	C803	CK73HB1A104K	CHIP C	0.10UF 10V K	1	E1,E2
	C902	CK73FB0J226M	CHIP C	22UF M	1	
	C904	CK73FB0J226M	CHIP C	22UF M	1	
	R1	RK73HB1J103J	CHIP R	10K J 1/16W	1	E1,E2
	R2	RK73HB1J473J	CHIP R	47K J 1/16W	1	E1,E2
	R3	RK73HB1J101J	CHIP R	100 J 1/16W	1	E1,E2
	R4	RK73HB1J103J	CHIP R	10K J 1/16W	1	E1,E2
	R5	RK73HB1J471J	CHIP R	470 J 1/16W	1	E1,E2
	R6	RK73HB1J104J	CHIP R	100K J 1/16W	1	E1,E2
	R101	RK73HB1J000J	CHIP R	0.0 J 1/16W	1	
	R102	RK73HB1J100J	CHIP R	10 J 1/16W	1	
	R103	RK73HB1J100J	CHIP R	10 J 1/16W	1	
	R104	RK73HB1J100J	CHIP R	10 J 1/16W	1	
	R105	RK73FB2B302J	CHIP R	3.0K J 1/8W	1	E1,E2
	R106	RK73HB1J000J	CHIP R	0.0 J 1/16W	1	E1,E2
	R107	RK73HB1J000J	CHIP R	0.0 J 1/16W	1	E1,E2
	R108	RK73HB1J000J	CHIP R	0.0 J 1/16W	1	
	R110	RK73HB1J101J	CHIP R	100 J 1/16W	1	E1,E2
	R111	RK73HB1J101J	CHIP R	100 J 1/16W	1	
	R112	RK73HB1J101J	CHIP R	100 J 1/16W	1	
	R113	RK73HB1J101J	CHIP R	100 J 1/16W	1	
	R114	RK73HB1J101J	CHIP R	100 J 1/16W	1	
	R115	RK73HB1J473J	CHIP R	47K J 1/16W	1	
	R116	RK73HB1J473J	CHIP R	47K J 1/16W	1	
	R117	RK73HB1J473J	CHIP R	47K J 1/16W	1	
	R118	RK73HB1J473J	CHIP R	47K J 1/16W	1	
	R119	RK73GB2A101J	CHIP R	100 J 1/10W	1	
	R120	RK73GB2A221J	CHIP R	220 J 1/10W	1	
	R121	RK73GB2A100J	CHIP R	10 J 1/10W	1	
	R122	RK73GB2A100J	CHIP R	10 J 1/10W	1	
	R123	RK73GB2A100J	CHIP R	10 J 1/10W	1	
	R124	RK73GB2A100J	CHIP R	10 J 1/10W	1	
	R125	RK73GB2A100J	CHIP R	10 J 1/10W	1	
	R126	RK73GB2A100J	CHIP R	10 J 1/10W	1	
	R127	RK73GB2A101J	CHIP R	100 J 1/10W	1	
	R128	RK73GB2A101J	CHIP R	100 J 1/10W	1	
	R129	RK73GB2A100J	CHIP R	10 J 1/10W	1	
	R130	RK73GH2A331D	CHIP R	330 D 1/10W	1	
	R131	RK73GH2A361D	CHIP R	360 D 1/10W	1	
	R132	RK73GH2A331D	CHIP R	330 D 1/10W	1	
	R133	RK73GH2A361D	CHIP R	360 D 1/10W	1	
	R134	RK73GH2A331D	CHIP R	330 D 1/10W	1	
	R135	RK73GH2A361D	CHIP R	360 D 1/10W	1	
	R136	RK73GH2A331D	CHIP R	330 D 1/10W	1	
	R137	RK73GH2A361D	CHIP R	360 D 1/10W	1	
	R138	RK73HB1J473J	CHIP R	47K J 1/16W	1	E1,E2
	R139	RK73GB2A391J	CHIP R	390 J 1/10W	1	E1,E2
	R140	RK73HB1J100J	CHIP R	10 J 1/16W	1	K0,M1,M2,X1,K1,M3,M4 ,X2,R1
	R141	RK73GB2A000J	CHIP R	0.0 J 1/10W 1608	1	K0,M1,M2,X1,K1,M3,M4 ,X2,R1
	R142	RK73HB1J101J	CHIP R	100 J 1/16W	1	
	R143	RK73HB1J101J	CHIP R	100 J 1/16W	1	
	R144	RK73HB1J101J	CHIP R	100 J 1/16W	1	
	R145	RK73HB1J101J	CHIP R	100 J 1/16W	1	
	R146	RK73HB1J101J	CHIP R	100 J 1/16W	1	
	R147	RK73HB1J101J	CHIP R	100 J 1/16W	1	
	R148	RK73HB1J101J	CHIP R	100 J 1/16W	1	
	R149	RK73HB1J101J	CHIP R	100 J 1/16W	1	
	R150	RK73HB1J101J	CHIP R	100 J 1/16W	1	
	R151	RK73HB1J101J	CHIP R	100 J 1/16W	1	
	R152	RK73HB1J101J	CHIP R	100 J 1/16W	1	
	R153	RK73HB1J101J	CHIP R	100 J 1/16W	1	
	R154	RK73HB1J470J	CHIP R	47 J 1/16W	1	
	R155	RK73HB1J470J	CHIP R	47 J 1/16W	1	

MODEL	MARK	MODEL	MARK	MODEL	MARK	MODEL	MARK
DNN990HD	K0	DNN9330BT	M1	DNN9330BTM	M2	DNN9330BT	X1
DNN9230DAB	E1	DNX890HD	K1	DNX7330BT	M3	DNX7330BTM	M4
DNX7330BT	X2	DNX7230DAB	E2	DNX7700BT	R1		

Safe	Symbol No.	Parts No.	Parts Name	Description	QTY	Local
	R201	RK73HB1J473J	CHIP R	47K J 1/16W	1	
	R202	RK73HB1J473J	CHIP R	47K J 1/16W	1	
	R203	RK73HB1J473J	CHIP R	47K J 1/16W	1	
	R204	RK73HB1J473J	CHIP R	47K J 1/16W	1	
	R205	RK73HB1J473J	CHIP R	47K J 1/16W	1	
	R206	RK73HB1J101J	CHIP R	100 J 1/16W	1	
	R207	RK73HB1J101J	CHIP R	100 J 1/16W	1	
	R208	RK73HB1J101J	CHIP R	100 J 1/16W	1	
	R209	RK73HB1J101J	CHIP R	100 J 1/16W	1	
	R210	RK73HB1J103J	CHIP R	10K J 1/16W	1	
	R211	RK73HB1J103J	CHIP R	10K J 1/16W	1	
	R212	RK73HB1J101J	CHIP R	100 J 1/16W	1	
	R213	RK73HB1J101J	CHIP R	100 J 1/16W	1	
	R214	RK73HB1J101J	CHIP R	100 J 1/16W	1	
	R215	RK73HB1J473J	CHIP R	47K J 1/16W	1	
	R216	RK73HB1J101J	CHIP R	100 J 1/16W	1	
	R217	RK73HB1J101J	CHIP R	100 J 1/16W	1	
	R218	RK73HB1J473J	CHIP R	47K J 1/16W	1	
	R219	RK73HB1J102J	CHIP R	1.0K J 1/16W	1	
	R220	RK73HB1J101J	CHIP R	100 J 1/16W	1	
	R221	RK73HB1J473J	CHIP R	47K J 1/16W	1	
	R222	RK73HB1J101J	CHIP R	100 J 1/16W	1	
	R224	RK73HB1J473J	CHIP R	47K J 1/16W	1	E1,E2
	R225	RK73HB1J101J	CHIP R	100 J 1/16W	1	
	R226	RK73HB1J473J	CHIP R	47K J 1/16W	1	K0,M1,M2,X1,K1,M3,M4,X2,R1
	R227	RK73HB1J473J	CHIP R	47K J 1/16W	1	K0,M1,M2,X1,E1
	R228	RK73HB1J473J	CHIP R	47K J 1/16W	1	K1,M3,M4,X2,E2,R1
	R229	RK73HB1J103J	CHIP R	10K J 1/16W	1	
	R231	RK73HB1J101J	CHIP R	100 J 1/16W	1	
	R232	RK73HB1J473J	CHIP R	47K J 1/16W	1	
	R233	RK73HB1J102J	CHIP R	1.0K J 1/16W	1	
	R234	RK73HB1J222J	CHIP R	2.2K J 1/16W	1	
	R235	RK73HB1J473J	CHIP R	47K J 1/16W	1	
	R236	RK73HB1J101J	CHIP R	100 J 1/16W	1	
	R237	RK73HB1J101J	CHIP R	100 J 1/16W	1	
	R238	RK73HB1J101J	CHIP R	100 J 1/16W	1	
	R239	RK73HB1J472J	CHIP R	4.7K J 1/16W	1	
	R240	RK73HB1J101J	CHIP R	100 J 1/16W	1	
	R241	RK73HB1J154J	CHIP R	150K J 1/16W	1	
	R242	RK73HB1J472J	CHIP R	4.7K J 1/16W	1	
	R243	RK73HB1J101J	CHIP R	100 J 1/16W	1	
	R244	RK73HB1J101J	CHIP R	100 J 1/16W	1	
	R246	RK73HB1J000J	CHIP R	0.0 J 1/16W	1	
	R247	RK73HB1J101J	CHIP R	100 J 1/16W	1	
	R248	RK73HB1J473J	CHIP R	47K J 1/16W	1	
	R249	RK73HB1J512J	CHIP R	5.1K J 1/16W	1	
	R250	RK73HB1J101J	CHIP R	100 J 1/16W	1	
	R251	RK73HB1J512J	CHIP R	5.1K J 1/16W	1	
	R252	RK73HB1J101J	CHIP R	100 J 1/16W	1	
	R253	RK73HB1J473J	CHIP R	47K J 1/16W	1	
	R254	RK73HB1J101J	CHIP R	100 J 1/16W	1	
	R255	RK73HB1J470J	CHIP R	47 J 1/16W	1	
	R256	RK73HB1J102J	CHIP R	1.0K J 1/16W	1	
	R257	RK73HB1J101J	CHIP R	100 J 1/16W	1	
	R258	RK73HB1J101J	CHIP R	100 J 1/16W	1	
	R259	RK73HB1J101J	CHIP R	100 J 1/16W	1	E1,E2
	R260	RK73HB1J101J	CHIP R	100 J 1/16W	1	
	R261	RK73HB1J101J	CHIP R	100 J 1/16W	1	
	R263	RK73HB1J123J	CHIP R	12K J 1/16W	1	
	R264	RK73HB1J473J	CHIP R	47K J 1/16W	1	
	R265	RK73HB1J104J	CHIP R	100K J 1/16W	1	
	R266	RK73HB1J104J	CHIP R	100K J 1/16W	1	
	R274	RK73HB1J101J	CHIP R	100 J 1/16W	1	K0,M1,M2,X1,E1
	R275	RK73HB1J101J	CHIP R	100 J 1/16W	1	
	R277	RK73HB1J101J	CHIP R	100 J 1/16W	1	
	R278	RK73HB1J473J	CHIP R	47K J 1/16W	1	E1,E2
	R279	RK73HB1J473J	CHIP R	47K J 1/16W	1	E1,E2
	R280	RK73HB1J473J	CHIP R	47K J 1/16W	1	E1,E2
	R281	RK73HB1J472J	CHIP R	4.7K J 1/16W	1	
	R282	RK73HB1J103J	CHIP R	10K J 1/16W	1	
	R283	RK73HB1J101J	CHIP R	100 J 1/16W	1	
	R284	RK73HB1J472J	CHIP R	4.7K J 1/16W	1	
	R285	RK73HB1J472J	CHIP R	4.7K J 1/16W	1	
	R286	RK73HB1J104J	CHIP R	100K J 1/16W	1	
	R287	RK73HB1J103J	CHIP R	10K J 1/16W	1	
	R288	RK73HB1J101J	CHIP R	100 J 1/16W	1	
	R289	RK73HB1J000J	CHIP R	0.0 J 1/16W	1	K0,M1,M2,X1,K1,M3,M4,X2,R1
	R290	RK73HB1J000J	CHIP R	0.0 J 1/16W	1	K0,M1,M2,X1,K1,M3,M4,X2,R1
	R291	RK73HB1J000J	CHIP R	0.0 J 1/16W	1	K0,M1,M2,X1,K1,M3,M4,X2,R1
	R305	RK73HB1J101J	CHIP R	100 J 1/16W	1	
	R306	RK73HB1J473J	CHIP R	47K J 1/16W	1	
	R307	RK73HB1J101J	CHIP R	100 J 1/16W	1	
	R308	RK73HB1J473J	CHIP R	47K J 1/16W	1	
	R309	RK73HB1J102J	CHIP R	1.0K J 1/16W	1	
	R310	RK73HH1J123D	CHIP R	12K D 1/16W	1	
	R311	RK73HH1J392D	CHIP R	3.9K D 1/16W	1	
	R312	RK73HH1J472D	CHIP R	4.7K D 1/16W	1	
	R313	RK73HH1J512D	CHIP R	5.1K D 1/16W	1	

MODEL	MARK	MODEL	MARK	MODEL	MARK	MODEL	MARK
DNN990HD	K0	DNN9330BT	M1	DNN9330BTM	M2	DNN9330BT	X1
DNN9230DAB	E1	DNX890HD	K1	DNX7330BT	M3	DNX7330BTM	M4
DNX7330BT	X2	DNX7230DAB	E2	DNX7700BT	R1		

Safe	Symbol No.	Parts No.	Parts Name	Description	QTY	Local
	R314	RK73HB1J473J	CHIP R	47K J 1/16W	1	
	R315	RK73HB1J473J	CHIP R	47K J 1/16W	1	
	R317	RK73HB1J101J	CHIP R	100 J 1/16W	1	
	R318	RK73HB1J101J	CHIP R	100 J 1/16W	1	
	R319	RK73HB1J101J	CHIP R	100 J 1/16W	1	
	R320	RK73HH1J103D	CHIP R	10K D 1/16W	1	
	R321	RK73HB1J473J	CHIP R	47K J 1/16W	1	
	R322	RK73HB1J473J	CHIP R	47K J 1/16W	1	
	R323	RK73HB1J330J	CHIP R	33 J 1/16W	1	
	R324	RK73HB1J330J	CHIP R	33 J 1/16W	1	
	R325	RK73HB1J330J	CHIP R	33 J 1/16W	1	
	R326	RK73HB1J101J	CHIP R	100 J 1/16W	1	
	R327	RK73HB1J103J	CHIP R	10K J 1/16W	1	
	R328	RK73HB1J472J	CHIP R	4.7K J 1/16W	1	
	R329	RK73HB1J472J	CHIP R	4.7K J 1/16W	1	
	R330	RK73HB1J101J	CHIP R	100 J 1/16W	1	
	R331	RK73HB1J102J	CHIP R	1.0K J 1/16W	1	
	R332	RK73HB1J472J	CHIP R	4.7K J 1/16W	1	
	R333	RK73HB1J102J	CHIP R	1.0K J 1/16W	1	
	R334	RK73HB1J101J	CHIP R	100 J 1/16W	1	
	R336	RK73HB1J100J	CHIP R	10 J 1/16W	1	
	R337	RK73HB1J104J	CHIP R	100K J 1/16W	1	
	R338	RK73HB1J101J	CHIP R	100 J 1/16W	1	
	R339	RK73HB1J101J	CHIP R	100 J 1/16W	1	
	R340	RK73HB1J101J	CHIP R	100 J 1/16W	1	
	R341	RK73HB1J000J	CHIP R	0.0 J 1/16W	1	
	R342	RK73HH1J330D	CHIP R	33 D 1/16W	1	
	R344	RK73HB1J151J	CHIP R	150 J 1/16W	1	
	R345	RK73HB1J151J	CHIP R	150 J 1/16W	1	
	R346	RK73HB1J102J	CHIP R	1.0K J 1/16W	1	
	R347	RK73HH1J131D	CHIP R	130 D 1/16W	1	
	R348	RK73HH1J131D	CHIP R	130 D 1/16W	1	
	R349	RK73HH1J131D	CHIP R	130 D 1/16W	1	
	R350	RK73HB1J101J	CHIP R	100 J 1/16W	1	
	R351	RK73HB1J151J	CHIP R	150 J 1/16W	1	
	R352	RK73HB1J151J	CHIP R	150 J 1/16W	1	
	R353	RK73HB1J000J	CHIP R	0.0 J 1/16W	1	
	R354	RK73HH1J330D	CHIP R	33 D 1/16W	1	
	R355	RK73HB1J000J	CHIP R	0.0 J 1/16W	1	
	R356	RK73HH1J330D	CHIP R	33 D 1/16W	1	
	R357	RK73HB1J102J	CHIP R	1.0K J 1/16W	1	
	R358	RK73HB1J220J	CHIP R	22 J 1/16W	1	
	R359	RK73HB1J000J	CHIP R	0.0 J 1/16W	1	
	R360	RK73HH1J330D	CHIP R	33 D 1/16W	1	
	R361	RK73HB1J470J	CHIP R	47 J 1/16W	1	
	R362	RK73HB1J121J	CHIP R	120 J 1/16W	1	
	R363	RK73HB1J105J	CHIP R	1.0M J 1/16W	1	
	R364	RK73HB1J222J	CHIP R	2.2K J 1/16W	1	
	R365	RK73HB1J101J	CHIP R	100 J 1/16W	1	
	R366	RK73HB1J101J	CHIP R	100 J 1/16W	1	
	R367	RK73HB1J101J	CHIP R	100 J 1/16W	1	
	R368	RK73HB1J101J	CHIP R	100 J 1/16W	1	
	R369	RK73HB1J121J	CHIP R	120 J 1/16W	1	
	R370	RK73HB1J470J	CHIP R	47 J 1/16W	1	
	R371	RK73HB1J151J	CHIP R	150 J 1/16W	1	
	R372	RK73HB1J151J	CHIP R	150 J 1/16W	1	
	R373	RK73HB1J101J	CHIP R	100 J 1/16W	1	
	R375	RK73HB1J101J	CHIP R	100 J 1/16W	1	
	R384	RK73HB1J101J	CHIP R	100 J 1/16W	1	
	R385	RK73HB1J472J	CHIP R	4.7K J 1/16W	1	
	R386	RK73HB1J472J	CHIP R	4.7K J 1/16W	1	
	R387	RK73HB1J472J	CHIP R	4.7K J 1/16W	1	
	R388	RK73HB1J102J	CHIP R	1.0K J 1/16W	1	
	R389	RK73HB1J470J	CHIP R	47 J 1/16W	1	
	R391	RK73HB1J430J	CHIP R	43 J 1/16W	1	
	R392	RK73GB2A000J	CHIP R	0.0 J 1/10W 1608	1	K0,M1,M2,X1,K1,M3,M4 .X2,R1
	R393	RK73GB2A000J	CHIP R	0.0 J 1/10W 1608	1	K0,M1,M2,X1,K1,M3,M4 .X2,R1
	R395	RK73HB1J470J	CHIP R	47 J 1/16W	1	
	R396	RK73HB1J101J	CHIP R	100 J 1/16W	1	
	R397	RK73HB1J101J	CHIP R	100 J 1/16W	1	
	R398	RK73HB1J680J	CHIP R	68 J 1/16W	1	
	R399	RK73HB1J680J	CHIP R	68 J 1/16W	1	
	R400	RK73HB1J101J	CHIP R	100 J 1/16W	1	
	R401	RK73FB2B392J	CHIP R	3.9K J 1/8W	1	
	R402	RK73HB1J473J	CHIP R	47K J 1/16W	1	
	R403	RK73HH1J123D	CHIP R	12K D 1/16W	1	
	R404	RK73HH1J103D	CHIP R	10K D 1/16W	1	
	R405	RK73HB1J473J	CHIP R	47K J 1/16W	1	
	R406	RK73HB1J473J	CHIP R	47K J 1/16W	1	
	R407	RK73GB2A000J	CHIP R	0.0 J 1/10W 1608	1	
	R408	RK73HB1J473J	CHIP R	47K J 1/16W	1	
	R410	RK73HB1J473J	CHIP R	47K J 1/16W	1	
	R411	RK73HB1J473J	CHIP R	47K J 1/16W	1	
	R412	RK73GH2A151D	CHIP R	150 D 1/10W	1	
	R414	RK73HB1J473J	CHIP R	47K J 1/16W	1	
	R415	RK73HB1J473J	CHIP R	47K J 1/16W	1	
	R416	RK73GH2A151D	CHIP R	150 D 1/10W	1	
	R417	RK73GH2A151D	CHIP R	150 D 1/10W	1	
	R418	RK73GH2A151D	CHIP R	150 D 1/10W	1	

MODEL	MARK	MODEL	MARK	MODEL	MARK	MODEL	MARK
DNN990HD	K0	DNN9330BT	M1	DNN9330BTM	M2	DNN9330BT	X1
DNN9230DAB	E1	DNX890HD	K1	DNX7330BT	M3	DNX7330BTM	M4
DNX7330BT	X2	DNX7230DAB	E2	DNX7700BT	R1		

Safe	Symbol No.	Parts No.	Parts Name	Description	QTY	Local
	R419	RK73HB1J000J	CHIP R	0.0 J 1/16W	1	
	R420	RK73HH1J683D	CHIP R	68K D 1/16W	1	
	R421	RK73HH1J914D	CHIP R	910K D 1/16W	1	
	R422	RK73HH1J363D	CHIP R	36K D 1/16W	1	
	R423	RK73HB1J102J	CHIP R	1.0K J 1/16W	1	
	R424	RK73HB1J104J	CHIP R	100K J 1/16W	1	
	R425	RK73HB1J473J	CHIP R	47K J 1/16W	1	
	R426	RK73HB1J473J	CHIP R	47K J 1/16W	1	
	R428	RK73HH1J123D	CHIP R	12K D 1/16W	1	
	R429	RK73HB1J473J	CHIP R	47K J 1/16W	1	
	R430	RK73HB1J102J	CHIP R	1.0K J 1/16W	1	
	R431	RK73EB2E200J	CHIP R	20 J 1/4W	1	
	R432	RK73HB1J101J	CHIP R	100 J 1/16W	1	
	R435	RK73HB1J000J	CHIP R	0.0 J 1/16W	1	
	R436	RK73HB1J472J	CHIP R	4.7K J 1/16W	1	
	R437	RK73HB1J101J	CHIP R	100 J 1/16W	1	
	R438	RK73HB1J101J	CHIP R	100 J 1/16W	1	
	R439	RK73HB1J473J	CHIP R	47K J 1/16W	1	
	R440	RK73HB1J101J	CHIP R	100 J 1/16W	1	
	R441	RK73HB1J102J	CHIP R	1.0K J 1/16W	1	
	R442	RK73HB1J472J	CHIP R	4.7K J 1/16W	1	
	R464	RK73HB1J101J	CHIP R	100 J 1/16W	1	
	R465	RK73FB2B101J	CHIP R	100 J 1/8W	1	K0,M1,M2,X1,K1,M3,M4 .X2,R1
	R466	RK73GB2A000J	CHIP R	0.0 J 1/10W 1608	1	E1,E2
	R467	RK73EB2E200J	CHIP R	20 J 1/4W	1	
	R501	RK73GH2A220D	CHIP R	22 D 1/10W	1	K1,M3,M4,X2,E2,R1
	R502	RK73GH2A100D	CHIP R	10 D 1/10W	1	K1,M3,M4,X2,E2,R1
	R503	RK73GH2A220D	CHIP R	22 D 1/10W	1	K1,M3,M4,X2,E2,R1
	R504	RK73GH2A100D	CHIP R	10 D 1/10W	1	K1,M3,M4,X2,E2,R1
	R506	RK73HB1J473J	CHIP R	47K J 1/16W	1	K0,M1,M2,X1,E1
	R507	RK73HB1J102J	CHIP R	1.0K J 1/16W	1	K1,M3,M4,X2,E2,R1
	R508	RK73HB1J102J	CHIP R	1.0K J 1/16W	1	K1,M3,M4,X2,E2,R1
	R509	RK73HB1J102J	CHIP R	1.0K J 1/16W	1	K1,M3,M4,X2,E2,R1
	R510	RK73HB1J102J	CHIP R	1.0K J 1/16W	1	K1,M3,M4,X2,E2,R1
	R511	RK73HB1J473J	CHIP R	47K J 1/16W	1	K1,M3,M4,X2,E2,R1
	R512	RK73HB1J473J	CHIP R	47K J 1/16W	1	K1,M3,M4,X2,E2,R1
	R515	RK73HB1J222J	CHIP R	2.2K J 1/16W	1	K1,M3,M4,X2,E2,R1
	R516	RK73HB1J222J	CHIP R	2.2K J 1/16W	1	K1,M3,M4,X2,E2,R1
	R517	RK73HB1J473J	CHIP R	47K J 1/16W	1	K1,M3,M4,X2,E2,R1
	R518	RK73HB1J473J	CHIP R	47K J 1/16W	1	K1,M3,M4,X2,E2,R1
	R519	RK73HB1J000J	CHIP R	0.0 J 1/16W	1	K1,M3,M4,X2,E2,R1
	R520	RK73HB1J000J	CHIP R	0.0 J 1/16W	1	K1,M3,M4,X2,E2,R1
	R521	RK73HB1J103J	CHIP R	10K J 1/16W	1	K1,M3,M4,X2,E2,R1
	R523	RK73HB1J103J	CHIP R	10K J 1/16W	1	K0,M1,M2,X1,E1
	R525	RK73HB1J103J	CHIP R	10K J 1/16W	1	K0,M1,M2,X1,E1
	R526	RK73HB1J000J	CHIP R	0.0 J 1/16W	1	K0,M1,M2,X1,E1
	R527	RK73HB1J000J	CHIP R	0.0 J 1/16W	1	K0,M1,M2,X1,E1
	R528	RK73HB1J102J	CHIP R	1.0K J 1/16W	1	K1,M3,M4,X2,E2,R1
	R529	RK73HH1J621D	CHIP R	620 D 1/16W	1	K1,M3,M4,X2,E2,R1
	R530	RK73HB1J473J	CHIP R	47K J 1/16W	1	K0,M1,M2,X1,E1
	R534	RK73HB1J000J	CHIP R	0.0 J 1/16W	1	K0,M1,M2,X1,E1
	R535	RK73HB1J000J	CHIP R	0.0 J 1/16W	1	K1,M3,M4,X2,E2,R1
	R538	RK73HB1J000J	CHIP R	0.0 J 1/16W	1	K0,M1,M2,X1,E1
	R539	RK73HB1J000J	CHIP R	0.0 J 1/16W	1	K0,M1,M2,X1,E1
	R540	RK73HB1J000J	CHIP R	0.0 J 1/16W	1	K0,M1,M2,X1,E1
	R541	RK73HB1J000J	CHIP R	0.0 J 1/16W	1	K0,M1,M2,X1,E1
	R542	RK73GB2A100J	CHIP R	10 J 1/10W	1	
	R543	RK73GB2A100J	CHIP R	10 J 1/10W	1	
	R544	RK73GB2A100J	CHIP R	10 J 1/10W	1	
	R545	RK73GB2A100J	CHIP R	10 J 1/10W	1	
	R546	RK73HB1J101J	CHIP R	100 J 1/16W	1	K0,M1,M2,X1,E1
	R549	RK73HB1J000J	CHIP R	0.0 J 1/16W	1	
	R551	RK73GB2A224J	CHIP R	220K J 1/10W	1	K1,M3,M4,X2,E2,R1
	R552	RK73HB1J101J	CHIP R	100 J 1/16W	1	K0,M1,M2,X1,E1
	R553	RK73HB1J101J	CHIP R	100 J 1/16W	1	K0,M1,M2,X1,E1
	R554	RK73HB1J101J	CHIP R	100 J 1/16W	1	K0,M1,M2,X1,E1
	R555	RK73HB1J101J	CHIP R	100 J 1/16W	1	K0,M1,M2,X1,E1
	R601	RK73HB1J101J	CHIP R	100 J 1/16W	1	
	R602	RK73EB2E392J	CHIP R	3.9K J 1/4W	1	
	R603	RK73HB1J000J	CHIP R	0.0 J 1/16W	1	
	R604	RK73HB1J000J	CHIP R	0.0 J 1/16W	1	
	R605	RK73EB2E102J	CHIP R	1.0K J 1/4W	1	
	R606	RK73HH1J620D	CHIP R	62 D 1/16W	1	
	R607	RK73HH1J161D	CHIP R	160 D 1/16W	1	
	R608	RK73HH1J430D	CHIP R	43 D 1/16W	1	
	R609	RK73HH1J390D	CHIP R	39 D 1/16W	1	
	R610	RK73HH1J101D	CHIP R	100 D 1/16W	1	
	R611	RK73HH1J161D	CHIP R	160 D 1/16W	1	
	R612	RK73HH1J101D	CHIP R	100 D 1/16W	1	
	R613	RK73HH1J390D	CHIP R	39 D 1/16W	1	
	R614	RK73HH1J430D	CHIP R	43 D 1/16W	1	
	R615	RK73HH1J161D	CHIP R	160 D 1/16W	1	
	R616	RK73HH1J820D	CHIP R	82 D 1/16W	1	
	R700	RK73HH1J393D	CHIP R	39K D 1/16W	1	
	R702	RK73HH1J153D	CHIP R	15K D 1/16W	1	
	R703	RK73HB1J000J	CHIP R	0.0 J 1/16W	1	
	R704	RK73HB1J103J	CHIP R	10K J 1/16W	1	
	R705	RK73HB1J511J	CHIP R	510 J 1/16W	1	
	R706	RK73HH1J103D	CHIP R	10K D 1/16W	1	
	R707	RK73HH1J184D	CHIP R	180K D 1/16W	1	
	R708	RK73HH1J753D	CHIP R	75K D 1/16W	1	

MODEL	MARK	MODEL	MARK	MODEL	MARK	MODEL	MARK
DNN990HD	K0	DNN9330BT	M1	DNN9330BTM	M2	DNN9330BT	X1
DNN9230DAB	E1	DNX890HD	K1	DNX7330BT	M3	DNX7330BTM	M4
DNX7330BT	X2	DNX7230DAB	E2	DNX7700BT	R1		

Safe	Symbol No.	Parts No.	Parts Name	Description	QTY	Local
	R709	RK73HH1J913D	CHIP R	91K D 1/16W	1	
	R710	RK73HH1J364D	CHIP R	360K D 1/16W	1	
	R711	RK73HH1J302D	CHIP R	3.0K D 1/16W	1	
	R712	RK73HH1J563D	CHIP R	56K D 1/16W	1	
	R713	RK73HH1J333D	CHIP R	33K D 1/16W	1	
	R714	RK73HB1J000J	CHIP R	0.0 J 1/16W	1	
	R715	RK73HH1J512D	CHIP R	5.1K D 1/16W	1	
	R716	RK73HB1J473J	CHIP R	47K J 1/16W	1	
	R717	RK73HB1J473J	CHIP R	47K J 1/16W	1	
	R718	RK73HB1J473J	CHIP R	47K J 1/16W	1	
	R719	R92-5243-05	METAL GLAZE RESISTOR	0.047 1/3W	1	
	R720	RK73GB2A000J	CHIP R	0.0 J 1/10W 1608	1	
	R721	RK73GB2A000J	CHIP R	0.0 J 1/10W 1608	1	
	R722	RK73GB2A222J	CHIP R	2.2K J 1/10W	1	
	R723	RK73EB2E100J	CHIP R	10 J 1/4W	1	
	R724	RK73HB1J101J	CHIP R	100 J 1/16W	1	
	R725	RK73HB1J000J	CHIP R	0.0 J 1/16W	1	
	R726	RK73HB1J472J	CHIP R	4.7K J 1/16W	1	
	R727	RK73GB2A000J	CHIP R	0.0 J 1/10W 1608	1	
	R801	RK73HB1J102J	CHIP R	1.0K J 1/16W	1	E1,E2
	R818	RK73HB1J101J	CHIP R	100 J 1/16W	1	E1,E2
	R819	RK73HB1J473J	CHIP R	47K J 1/16W	1	E1,E2
	R820	RK73HB1J153J	CHIP R	15K J 1/16W	1	E1,E2
	R821	RK73HB1J101J	CHIP R	100 J 1/16W	1	E1,E2
	R822	RK73HB1J102J	CHIP R	1.0K J 1/16W	1	E1,E2
	R823	RK73HB1J471J	CHIP R	470 J 1/16W	1	E1,E2
	R824	RK73HB1J204J	CHIP R	200K J 1/16W	1	E1,E2
	R825	RK73GB2A000J	CHIP R	0.0 J 1/10W 1608	1	K0,M1,M2,X1,K1,M3,M4,X2,R1
	R917	RK73GB2A4R7J	CHIP R	4.7 J 1/10W	1	
	R921	RK73GB2A000J	CHIP R	0.0 J 1/10W 1608	1	
	R927	RK73GB2A4R7J	CHIP R	4.7 J 1/10W	1	
	R928	RK73GB2A2R2J	CHIP R	2.2 J 1/10W	1	
	R929	RK73GB2A2R2J	CHIP R	2.2 J 1/10W	1	
	L101	L92-0332-05	CHIP FERRITE		1	
	L102	L92-0332-05	CHIP FERRITE		1	
	L201	L92-0330-05	CHIP FERRITE		1	
	L202	L92-0330-05	CHIP FERRITE		1	
	L301	L92-0378-05	CHIP FERRITE		1	
	L302	L92-0378-05	CHIP FERRITE		1	
	L304	L92-0373-05	CHIP FERRITE		1	
	L305	L41-2281-15	SMALL FIXED INDUCTOR	220NH	1	
	L306	L92-0172-05	CHIP FERRITE	470	1	
	L307	L92-0172-05	CHIP FERRITE	470	1	
	L308	L92-0172-05	CHIP FERRITE	470	1	
	L309	L92-0172-05	CHIP FERRITE	470	1	
	L310	L92-0172-05	CHIP FERRITE	470	1	
	L311	L92-0172-05	CHIP FERRITE	470	1	
	L312	L92-0172-05	CHIP FERRITE	470	1	
	L313	L92-0172-05	CHIP FERRITE	470	1	
	L314	L92-0172-05	CHIP FERRITE	470	1	
	L315	L92-0172-05	CHIP FERRITE	470	1	
	L316	L92-0172-05	CHIP FERRITE	470	1	
	L317	L92-0172-05	CHIP FERRITE	470	1	
	L318	L92-0378-05	CHIP FERRITE		1	
	L319	L92-0378-05	CHIP FERRITE		1	
	L320	L92-0172-05	CHIP FERRITE	470	1	
	L321	L92-0172-05	CHIP FERRITE	470	1	
	L322	L92-0172-05	CHIP FERRITE	470	1	
	L323	L92-0172-05	CHIP FERRITE	470	1	
	L324	L92-0172-05	CHIP FERRITE	470	1	
	L325	L92-0172-05	CHIP FERRITE	470	1	
	L326	L92-0378-05	CHIP FERRITE		1	
	L401	L33-2583-05	CHOKE COIL	4*4 10U	1	
	L404	L92-0364-05	CHIP FERRITE		1	
	L501	L41-1001-62	SMALL FIXED INDUCTOR	10U	1	K1,M3,M4,X2,E2,R1
	L502	L41-1001-62	SMALL FIXED INDUCTOR	10U	1	K0,M1,M2,X1,E1
	L601	L92-0378-05	CHIP FERRITE		1	
	L602	L92-0378-05	CHIP FERRITE		1	
	L603	L92-0378-05	CHIP FERRITE		1	
	L604	L92-0668-05	CHIP FERRITE		1	
	L605	L92-0668-05	CHIP FERRITE		1	
	L606	L92-0378-05	CHIP FERRITE		1	
	L700	L33-2583-05	CHOKE COIL	4*4 10U	1	
	L701	L33-3207-05	SMALL FIXED INDUCTOR	4*4 22U	1	
	CN101	E41-3406-05	FLAT CABLE CONNECTOR	60PIN FFC/FPC CONECT	1	
	CN102	E41-3353-05	FLAT CABLE CONNECTOR	FFC 14PIN	1	
	CN401	E41-3397-05	FLAT CABLE CONNECTOR	FFC 10PIN	1	
	CN501	E41-2276-05	FLAT CABLE CONNECTOR	AU/9617S-04A-TC	1	
	CN601	E41-3406-05	FLAT CABLE CONNECTOR	60PIN FFC/FPC CONECT	1	
	CP301	RK74HB1J151J	CHIP-COM	150 J 1/16W JX4	1	
	CP302	RK74HB1J151J	CHIP-COM	150 J 1/16W JX4	1	

MODEL	MARK	MODEL	MARK	MODEL	MARK	MODEL	MARK
DNN990HD	K0	DNN9330BT	M1	DNN9330BTM	M2	DNN9330BT	X1
DNN9230DAB	E1	DNX890HD	K1	DNX7330BT	M3	DNX7330BTM	M4
DNX7330BT	X2	DNX7230DAB	E2	DNX7700BT	R1		

Safe	Symbol No.	Parts No.	Parts Name	Description	QTY	Local
	CP303	RK74HB1J151J	CHIP-COM	150 J 1/16W JX4	1	
	S101	S68-0929-05	PUSH SWITCH	RSIDE	1	E1,E2
	X201	L77-3846-05	CRYSTAL RESONATOR	12MHZ	1	
	X301	L77-3850-05	CRYSTAL RESONATOR	12MHZ 15PPM 30PPM	1	
DVD UNIT (LVA11172-02A) IN DVD MECHA <X37>						
	IC1	AN41250A-VB	IC(DRIVE)		1	
	IC2	M12L128168A6TG	IC(SDRAM)		1	
	IC3	JVM610C	IC(PROGRAMED)		1	
	IC4	MN2DS0041MA	IC	DV6	1	
	IC5	BD12KA5FP-X	IC	D1.2V	1	
	Q1	2SK3019	MOS FET		1	
	Q2	2SK3019	MOS FET		1	
	Q3	LSCR523EBFS8	TRANSISTOR		1	
	Q4	2SB1709	TRANSISTOR		1	
	Q5	LSCR523EBFS8	TRANSISTOR		1	
	Q6	2SB1709	TRANSISTOR		1	
	Q11	LTA014TEB-X	DIGI TRANSISTOR		1	
	Q12	LTA014TEB-X	DIGI TRANSISTOR		1	
	D1	TAN1102W-22-X	IR LED		1	
	D4	TAN1102W-22-X	IR LED		1	
	C1	NCBA1EK-103W	C CAPACITOR	0.01UF 25V K	1	
	C2	NCB20JK-106X	C CAPACITOR	10UF 6.3V K	1	
	C6	CK73FB0J226M	CHIP C	22UF M	1	
	C7	NCBA1EK-103W	C CAPACITOR	0.01UF 25V K	1	
	C8	NCBA1EK-103W	C CAPACITOR	0.01UF 25V K	1	
	C10	C91-2348-08	C CAPACITOR		1	
	C12	NCB20JK-106X	C CAPACITOR	10UF 6.3V K	1	
	C13	NCB20JK-106X	C CAPACITOR	10UF 6.3V K	1	
	C14	NCBA1AK-104W	C CAPACITOR	0.1UF 10V K	1	
	C16	CK73HB1C333K	C CAPACITOR		1	
	C17	NCBA1AK-104W	C CAPACITOR	0.1UF 10V K	1	
	C18	CC73HCH1H120J	CHIP C	12PF 50V J	1	
	C19	NCBA1AK-104W	C CAPACITOR	0.1UF 10V K	1	
	C20	NCBA1AK-104W	C CAPACITOR	0.1UF 10V K	1	
	C21	NCBA1AK-104W	C CAPACITOR	0.1UF 10V K	1	
	C22	NCBA1AK-104W	C CAPACITOR	0.1UF 10V K	1	
	C23	CC73HCH1H120J	CHIP C	12PF 50V J	1	
	C24	CK73HB0J105K	CHIP C	1.0UF 6.3V K	1	
	C25	CK73HB0J105K	CHIP C	1.0UF 6.3V K	1	
	C26	CC73HCH1H102J	C CAPACITOR		1	
	C28	NCB20JK-106X	C CAPACITOR	10UF 6.3V K	1	
	C29	NCB20JK-106X	C CAPACITOR	10UF 6.3V K	1	
	C31	C91-2348-08	C CAPACITOR		1	
	C33	CK73HB1H682K	CHIP C	6800PF 50V K	1	
	C34	CK73HB1H682K	CHIP C	6800PF 50V K	1	
	C35	CC73HCH1H681J	C CAPACITOR		1	
	C36	CC73HCH1H471J	CHIP C	470PF 50V J	1	
	C37	NCB20JK-106X	C CAPACITOR	10UF 6.3V K	1	
	C38	NCB20JK-106X	C CAPACITOR	10UF 6.3V K	1	
	C45	NCBA1AK-104W	C CAPACITOR	0.1UF 10V K	1	
	C47	NCBA1AK-104W	C CAPACITOR	0.1UF 10V K	1	
	C48	CK73HB1H222K	CHIP C	2200PF 50V K	1	
	C49	NCBA1AK-104W	C CAPACITOR	0.1UF 10V K	1	
	C50	CK73HB1H222K	CHIP C	2200PF 50V K	1	
	C51	CK73HB1H472K	CHIP C	4700PF 50V K	1	
	C52	NCBA1EK-103W	C CAPACITOR	0.01UF 25V K	1	
	C53	CK73HB1H222K	CHIP C	2200PF 50V K	1	
	C55	NCBA1AK-104W	C CAPACITOR	0.1UF 10V K	1	
	C56	CK73HB1H222K	CHIP C	2200PF 50V K	1	
	C57	NCBA1EK-103W	C CAPACITOR	0.01UF 25V K	1	
	C58	NCBA1EK-103W	C CAPACITOR	0.01UF 25V K	1	
	C59	NCBA1AK-104W	C CAPACITOR	0.1UF 10V K	1	
	C60	NCBA1AK-104W	C CAPACITOR	0.1UF 10V K	1	
	C61	NCBA1AK-104W	C CAPACITOR	0.1UF 10V K	1	
	C62	NCBA1AK-104W	C CAPACITOR	0.1UF 10V K	1	
	C63	NCBA1AK-104W	C CAPACITOR	0.1UF 10V K	1	
	C64	NCBA1AK-104W	C CAPACITOR	0.1UF 10V K	1	
	C65	NCBA1AK-104W	C CAPACITOR	0.1UF 10V K	1	
	C66	NCBA1AK-104W	C CAPACITOR	0.1UF 10V K	1	
	C67	NCBA1AK-104W	C CAPACITOR	0.1UF 10V K	1	
	C68	NCBA1EK-103W	C CAPACITOR	0.01UF 25V K	1	
	C70	CK73HB0J105K	CHIP C	1.0UF 6.3V K	1	
	C71	NCBA1AK-104W	C CAPACITOR	0.1UF 10V K	1	
	C74	NCBA1AK-104W	C CAPACITOR	0.1UF 10V K	1	
	C75	NDCA1HJ-101W	C CAPACITOR	100PF 50V J	1	
	C76	CK73FB0J226M	CHIP C	22UF M	1	
	C77	NCBA1AK-104W	C CAPACITOR	0.1UF 10V K	1	
	C78	C91-2348-08	C CAPACITOR		1	
	C79	CK73HB1H222K	CHIP C	2200PF 50V K	1	
	C80	CK73HB1H222K	CHIP C	2200PF 50V K	1	
	C81	CK73HB0J105K	CHIP C	1.0UF 6.3V K	1	
	C82	CK73HB0J105K	CHIP C	1.0UF 6.3V K	1	
	C84	NCB20JK-106X	C CAPACITOR	10UF 6.3V K	1	
	C85	NCBA1AK-104W	C CAPACITOR	0.1UF 10V K	1	
	C86	NCBA1AK-104W	C CAPACITOR	0.1UF 10V K	1	
	C87	NCBA1AK-104W	C CAPACITOR	0.1UF 10V K	1	
	C88	NCBA1AK-104W	C CAPACITOR	0.1UF 10V K	1	
	C89	NCBA1AK-104W	C CAPACITOR	0.1UF 10V K	1	

MODEL	MARK	MODEL	MARK	MODEL	MARK	MODEL	MARK
DNN990HD	K0	DNN9330BT	M1	DNN9330BTM	M2	DNN9330BT	X1
DNN9230DAB	E1	DNX890HD	K1	DNX7330BT	M3	DNX7330BTM	M4
DNX7330BT	X2	DNX7230DAB	E2	DNX7700BT	R1		

Safe	Symbol No.	Parts No.	Parts Name	Description	QTY	Local
	C90	NCBA1AK-104W	C CAPACITOR	0.1UF 10V K	1	
	C91	NCBA1AK-104W	C CAPACITOR	0.1UF 10V K	1	
	C92	NCBA1AK-104W	C CAPACITOR	0.1UF 10V K	1	
	C93	NCBA1AK-104W	C CAPACITOR	0.1UF 10V K	1	
	C94	CK73FB0J226M	CHIP C	22UF M	1	
	C95	CK73FB0J226M	CHIP C	22UF M	1	
	C96	CK73FB0J226M	CHIP C	22UF M	1	
	C101	CK73FB0J226M	CHIP C	22UF M	1	
	C102	CK73FB0J226M	CHIP C	22UF M	1	
	C103	CK73HB1H222K	CHIP C	2200PF 50V K	1	
	C104	CK73HB1H222K	CHIP C	2200PF 50V K	1	
	R1	RK73GB2A561J	MG RESISTOR		1	
	R2	NRSA6AJ-271W	MG RESISTOR	270Ω 1/16W J	1	
	R3	RK73HB1J301J	MG RESISTOR		1	
	R4	RK73GB2A561J	MG RESISTOR		1	
	R5	RK73HB1J163J	CHIP R	16K J 1/16W	1	
	R6	NRSA6AJ-103W	MG RESISTOR	10kΩ 1/16W J	1	
	R7	NRSA6AJ-103W	MG RESISTOR	10kΩ 1/16W J	1	
	R8	NRSA6AJ-103W	MG RESISTOR	10kΩ 1/16W J	1	
	R9	NRSA6AJ-333W	MG RESISTOR	33kΩ 1/16W J	1	
	R10	NRSA6AJ-103W	MG RESISTOR	10kΩ 1/16W J	1	
	R11	NRSA6AJ-103W	MG RESISTOR	10kΩ 1/16W J	1	
	R12	NRSA6AJ-103W	MG RESISTOR	10kΩ 1/16W J	1	
	R13	NRSA6AJ-101W	MG RESISTOR	100Ω 1/16W J	1	
	R14	NRSA6AJ-101W	MG RESISTOR	100Ω 1/16W J	1	
	R15	NRSA6AJ-102W	MG RESISTOR	1kΩ 1/16W J	1	
	R16	RK73HB1J122J	CHIP R	1.2K J 1/16W	1	
	R17	NRSA6AJ-105W	MG RESISTOR	1MΩ 1/16W J	1	
	R18	RK73HH1J303D	CHIP R	30K D 1/16W	1	
	R19	NRSA6AJ-223W	MG RESISTOR	22kΩ 1/16W J	1	
	R20	NRSA6AJ-471W	MG RESISTOR	470Ω 1/16W J	1	
	R21	RK73HB1J100J	CHIP R	10 J 1/16W	1	
	R22	RK73HB1J560J	CHIP R	56 J 1/16W	1	
	R23	RK73HB1J2R2J	MG RESISTOR		1	
	R25	RK73HB1J751J	MG RESISTOR		1	
	R27	NRSA6AJ-471W	MG RESISTOR	470Ω 1/16W J	1	
	R28	RK73HB1J100J	CHIP R	10 J 1/16W	1	
	R29	RK73HB1J560J	CHIP R	56 J 1/16W	1	
	R30	RK73HB1J2R2J	MG RESISTOR		1	
	R31	RK73PB2H300J	MG RESISTOR		1	
	R32	RK73HB1J203J	MG RESISTOR		1	
	R33	NRSA6AJ-333W	MG RESISTOR	33kΩ 1/16W J	1	
	R34	RK73HB1J751J	MG RESISTOR		1	
	R51	NRSA6AJ-223W	MG RESISTOR	22kΩ 1/16W J	1	
	R52	NRSA6AJ-223W	MG RESISTOR	22kΩ 1/16W J	1	
	R53	R92-5573-05	MG RESISTOR		1	
	R54	NRSA6AJ-103W	MG RESISTOR	10kΩ 1/16W J	1	
	R55	NRSA6AJ-101W	MG RESISTOR	100Ω 1/16W J	1	
	R56	NRSA6AJ-103W	MG RESISTOR	10kΩ 1/16W J	1	
	R57	NRSA6AJ-103W	MG RESISTOR	10kΩ 1/16W J	1	
	R58	NRSA6AJ-103W	MG RESISTOR	10kΩ 1/16W J	1	
	R59	NRSA6AJ-103W	MG RESISTOR	10kΩ 1/16W J	1	
	R60	NRSA6AJ-821W	MG RESISTOR	820Ω 1/16W J	1	
	R61	RK73HB1J242J	MG RESISTOR		1	
	R62	NRSA6AJ-103W	MG RESISTOR	10kΩ 1/16W J	1	
	R63	NRSA6AJ-332W	MG RESISTOR	3.3kΩ 1/16W J	1	
	R64	RK73HB1J202J	CHIP R	2.0K J 1/16W	1	
	R65	NRSA6AJ-102W	MG RESISTOR	1kΩ 1/16W J	1	
	R66	NRSA6AJ-102W	MG RESISTOR	1kΩ 1/16W J	1	
	R69	NRSA6AJ-101W	MG RESISTOR	100Ω 1/16W J	1	
	R70	NRSA6AJ-102W	MG RESISTOR	1kΩ 1/16W J	1	
	R71	NRSA6AJ-330W	MG RESISTOR	33Ω 1/16W J	1	
	R73	NRSA6AJ-472W	MG RESISTOR	4.7kΩ 1/16W J	1	
	R74	RK73HB1J4R7J	CHIP R	4.7 J 1/16W	1	
	R76	NRSA6AJ-472W	MG RESISTOR	4.7kΩ 1/16W J	1	
	R77	RK73HB1J4R7J	CHIP R	4.7 J 1/16W	1	
	R78	NRSA6AJ-221W	MG RESISTOR	220Ω 1/16W J	1	
	R79	NRSA6AJ-221W	MG RESISTOR	220Ω 1/16W J	1	
	R80	NRSA6AJ-103W	MG RESISTOR	10kΩ 1/16W J	1	
	R85	RK73HB1J820J	MG RESISTOR		1	
	R86	NRSA6AJ-102W	MG RESISTOR	1kΩ 1/16W J	1	
	R92	NRSA6AJ-103W	MG RESISTOR	10kΩ 1/16W J	1	
	R95	RK73HB1J470J	CHIP R	47 J 1/16W	1	
	R96	NRSA6AJ-103W	MG RESISTOR	10kΩ 1/16W J	1	
	R105	NRSA6AJ-101W	MG RESISTOR	100Ω 1/16W J	1	
	R106	NRSA6AJ-103W	MG RESISTOR	10kΩ 1/16W J	1	
	R107	NRSA6AJ-221W	MG RESISTOR	220Ω 1/16W J	1	
	R108	NRSA6AJ-221W	MG RESISTOR	220Ω 1/16W J	1	
	CN1	E41-3448-08	FFC/FPC CONNE		1	
	CN4	E41-3450-08	FFC/FPC CONNE		1	
	CN5	E41-3449-08	FFC/FPC CONNE		1	
	PH1	PS1192HB-22-X	PHOTO TRANSISTOR		1	
	PH2	PS1192HB-22-X	PHOTO TRANSISTOR		1	
	S1	S68-0911-15	PUSH SWITCH		1	
	TH1	NAD0055-103X	N THERMISTOR	10kΩ	1	
	X1	L77-3830-05	CRYSTAL		1	