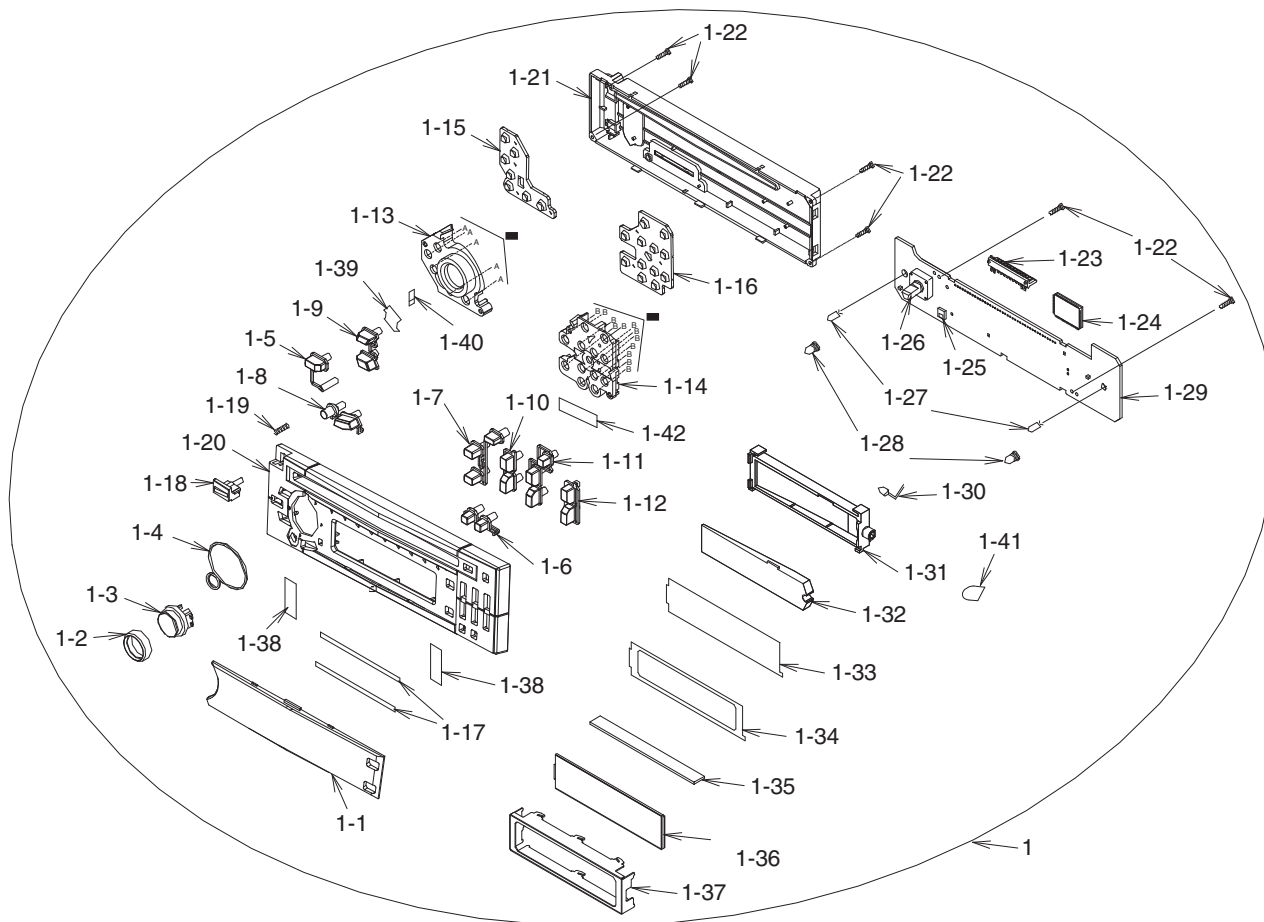


EXPLODED VIEW / PARTS LIST

DCP section

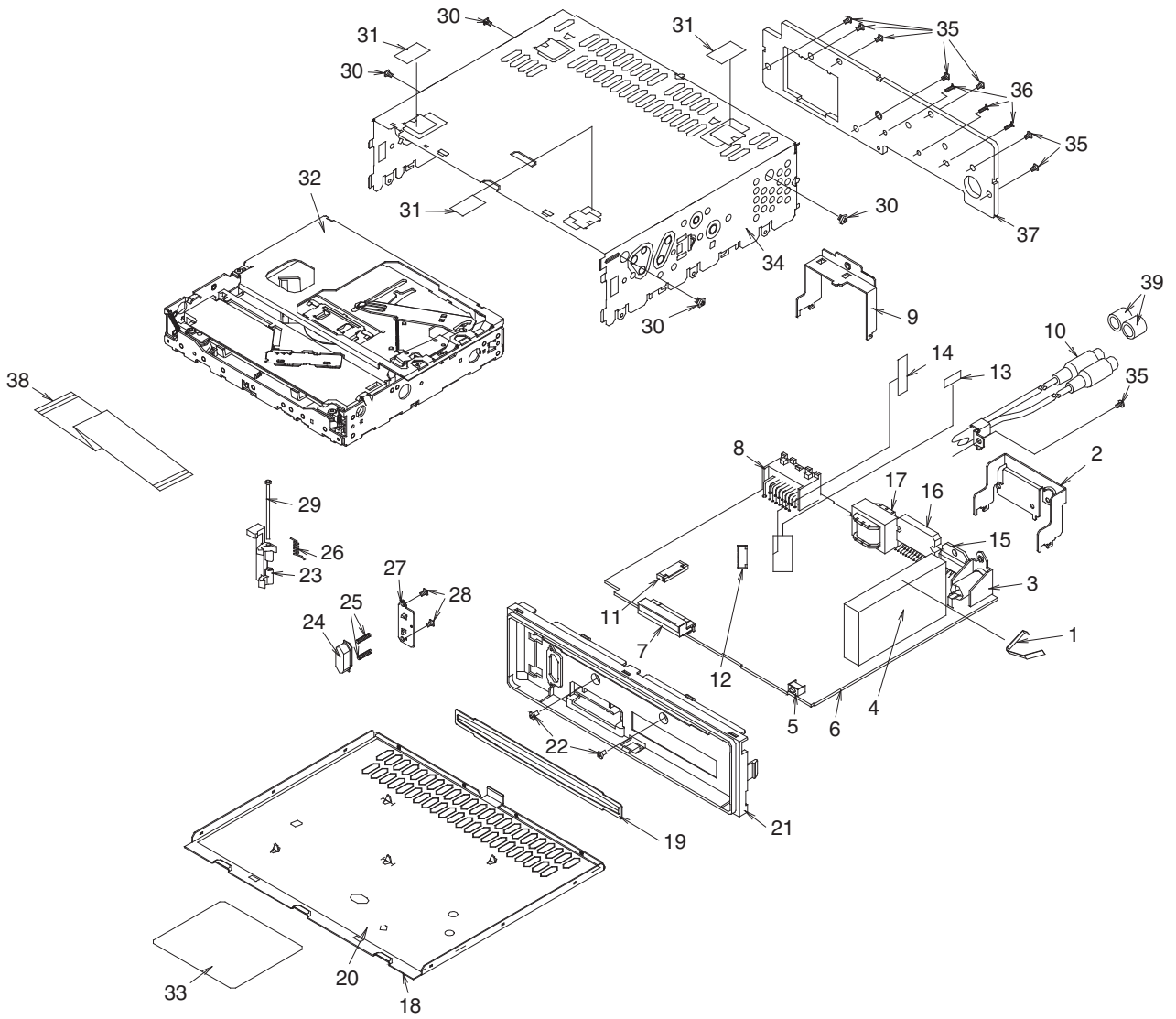


Note) Several different parts of the same reference number are alternative parts.
One of those parts is used in the set.

■: SANKOL application
Note) SANKOL uses CFD-409Z

NO.	PART NO.	DESCRIPTION	Q'TY	NO.	PART NO.	DESCRIPTION	Q'TY
1	DCP-570-600	DCP-ASSY(PE-2793B-A)	1	1-22	716-0872-62	SCREW(M1.7x6)	6
	DCP-570-800	DCP-ASSY(PE-2793K-A/B)	1	1-23	076-0615-50	PLUG	1
1-1	373-1082-01	DIAL-CVR (PE-2793B-A)	1	1-24	051-6013-00	IC	1
	373-1082-02	DIAL-CVR (PE-2793K-A/B)	1		051-6013-50	IC	1
1-2	345-5496-00	RUBBER RING	1	1-25	060-4017-90	IR-RECIEVER	1
1-3	380-5673-00	KNOB	1	1-26	016-9900-84	VR W/SHAFT	1
1-4	335-7644-00	KNOB RING	1	1-27	017-0444-00	PILOTLAMP(14V 50mA)	2
1-5	382-7558-00	BUTTON	1	1-28	345-5899-03	LAMP CAP	2
1-6	382-7550-00	BUTTON	1		345-5231-01	LAMP CAP	2
1-7	382-7555-00	BUTTON	1	1-29	-----	SWITCH PWB	1
1-8	382-7565-00	BUTTON	1	1-30	001-7046-01	DIODE	1
1-9	382-7564-00	BUTTON	1	1-31	335-7657-00	LCD HOLDER	1
1-10	382-7563-00	BUTTON	1	1-32	335-7658-00	LCD ILLUMI	1
1-11	382-7567-01	BUTTON	1	1-33	347-7955-00	LCD FILM	1
1-12	382-7568-00	BUTTON	1	1-34	347-7956-00	BLACK FILM	1
1-13	335-7655-00	ILLUMI PLATE(L)	1	1-35	345-5920-00	RUBBER PART	1
1-14	335-7656-00	ILLUMI PLATE(R)	1	1-36	379-1352-41	INDICATOR(LCD)	1
1-15	345-5893-00	RUBBER KEY(L)	1	1-37	331-4112-00	LCD COVER	1
1-16	345-5894-00	RUBBER KEY(R)	1	1-38	347-7952-00	DOUBLE FAC	2
1-17	347-7410-00	DOUBLE FACE(DC)	2	1-39	347-7958-00	FILM	1
1-18	382-7562-00	BUTTON	1	1-40	347-7957-00	FILM	1
1-19	750-6817-00	SPRING	1	1-41	347-7953-00	FILM	1
1-20	370-6193-01	ESCUTCHEON	1	1-42	347-8007-00	FILM	1
1-21	335-6897-03	REAR-CVR	1				

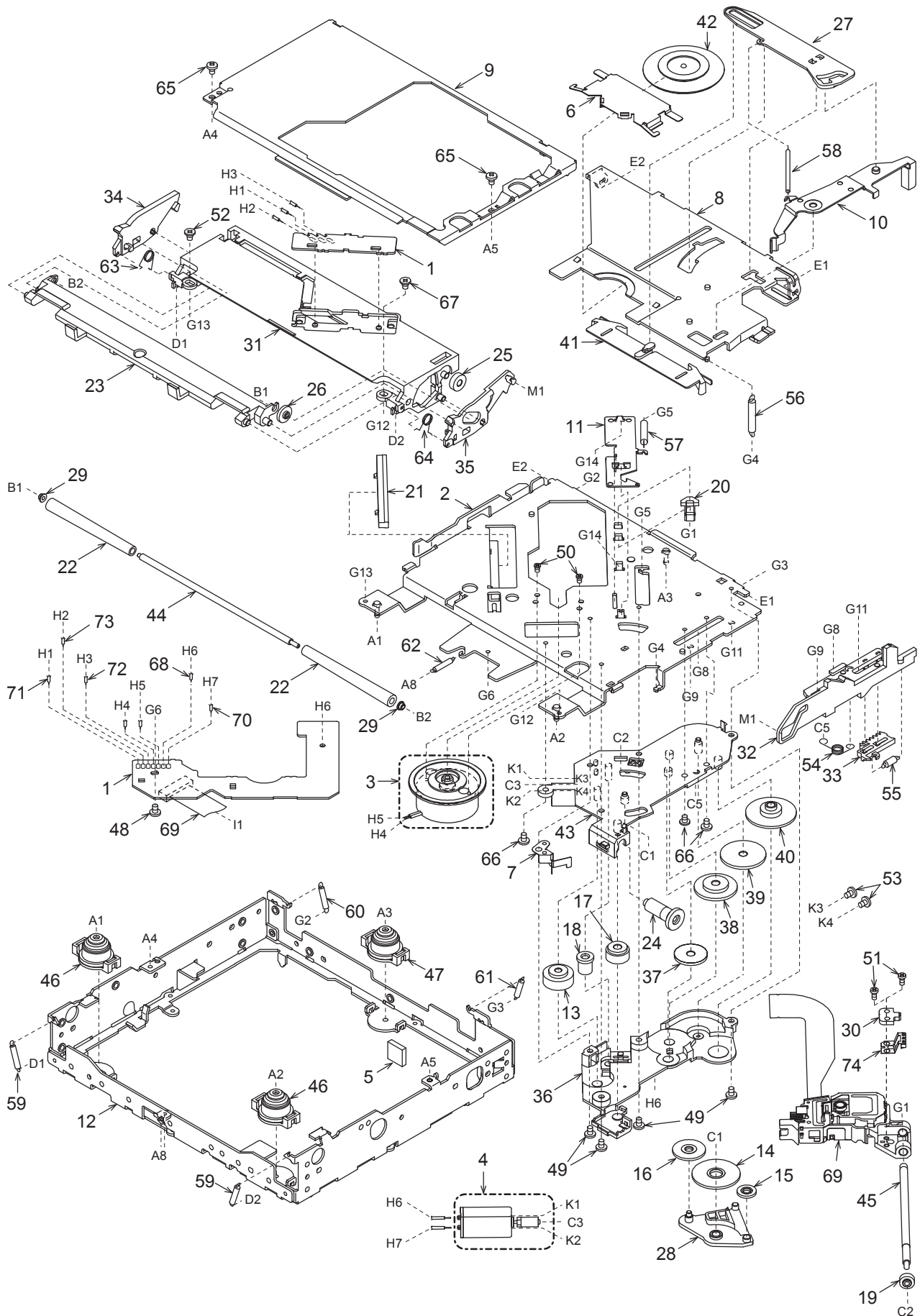
Main section



NO.	PART NO.	DESCRIPTION	Q'TY
1	331-4312-00	EARTH PLATE	1
2	331-3935-00	IC HOLDER	1
3	092-4000-51	ANT-RECEPT	1
4	880-2090B	TUNER	1
5	013-6103-00	TACT SWITCH	1
6	-----	MAIN PWB	1
7	074-1217-50	OUTLET SOCKET(12P)	1
8	074-1214-00	OUTLET SOCKET(16P)	1
9	331-3561-03	CONNECTOR-HOLD	1
10	855-5426-53	RCA PIN CORD	1
11	074-1138-60	OUTLET SOCKET(15P)	1
12	074-1138-65	OUTLET SOCKET(10P)	1
13	347-7536-00	FILM	1
14	347-7535-00	FILM	1
15	051-3349-00	IC	1
16	051-2042-00	IC	1
17	009-9006-70	CHOKE	1
18	311-1859-02	LOWER CASE	1
19	346-0194-00	LEATHER SHEET	1
20	347-6880-01	INSULATOR	1
21	370-6027-02	ESCUTCHEON(I)	1

NO.	PART NO.	DESCRIPTION	Q'TY
22	780-2607-52	SCREW(M2.6x7)	2
23	335-5915-01	HOOK	1
24	382-4078-00	BUTTON (P-OUT)	1
25	750-3173-00	SPRING	2
26	750-3219-00	SPRING(F-HOOK)	1
27	331-2594-00	HOOK PLATE	1
28	716-0778-50	WAVE SCREW(M2x6)	2
29	341-1627-00	SHAFT	1
30	714-2603-89	MACHINE SCREW(M2.6x3)	4
31	347-7954-00	FILM	3
32	929-5003-80	CD-MECH-MODULE	1
33	286-6744-00	SETPLATE(PE-2793B-A)	1
	286-6819-00	SETPLATE(PE-2793K-A)	1
	286-6809-00	SETPLATE(PE-2794K-B)	1
34	310-1821-00	UPPER CASE	1
35	714-3006-85	MACHINE SCREW(M3x6)	8
36	714-2610-85	MACHINE SCREW(M2.6x10)	3
37	313-1849-01	HEAT SINK	1
38	816-4010-50	FLAT WIRE	1
39	345-3799-20	RUBBER PART	2

CD mechanism section 929-5003-80



NO.	PART NO.	DESCRIPTION	Q'TY	NO.	PART NO.	DESCRIPTION	Q'TY
1	-----	SENSOR PWB	1	38	621-1749-20	POWER GEAR B	1
2	966-1743-21	DRIVE-PLT-ASSY	1	39	621-1750-20	POWER GEAR C	1
3	SMA-182-100	SPINDLE MOTOR-ASSY	1	40	621-1751-20	POWER GEAR D	1
4	SMA-183-100	SLED MOTOR-ASSY	1	41	621-1752-20	DISC STOPPER	1
5	345-5476-20	CUSHION RUBBER	1	42	621-1753-20	CLAMPER RING	1
6	620-1023-23	CLAMPER PLATE	1	43	621-1754-20	GEAR BASE	1
7	620-1026-21	SPRING PLATE	1	44	622-1571-21	ROLLER SHAFT	1
8	620-1596-23	CLAMPER LINK	1	45	624-0020-00	LEAD SCREW	1
9	620-1598-22	UPPER CHASSIS	1	46	629-0086-20	DAMPER F	2
10	620-1752-20	SENSOR ARM	1	47	629-0087-20	DAMPER R	1
11	620-1753-20	ID-LOCK PLATE	1	48	716-1507-01	SCREW(M2x3)	1
12	620-1748-21	LOWER CHASSIS	1	49	716-1670-01	SCREW(M2x4)	4
13	621-0608-21	SECOND GEAR	1	50	716-1733-01	SCREW(M1.7x2.3)	2
14	621-0609-20	BASE GEAR	1	51	716-3469-01	SCREW(1.7x4)	2
15	621-0610-20	IDLE GEAR A	1	52	716-3473-01	SCREW(M2x3)	1
16	621-0611-20	IDLE GEAR B	1	53	716-3551-00	SCREW(M1.4x2.5)	2
17	621-0612-21	ROLLER GEAR A	1	54	750-3467-21	SHIFT SPRING	1
18	621-0620-20	THREAD GEAR A	1	55	750-3468-20	RACK SPRING	1
19	621-0621-20	THREAD GEAR B	1	56	750-3469-20	CLAMPER SPRING	1
20	621-0623-23	LS-HOLDER	1	57	750-3470-20	ID-LOCK SPRING	1
21	621-0624-22	GUIDE RAIL	1	58	750-3471-20	SENSOR SPRING	1
22	621-0711-20	LOADING ROLLER	2	59	750-3472-21	DR-SPRING F	2
23	621-0718-21	ROLLER GUIDE	1	60	750-3473-20	DR-SPRING RA	1
24	621-0719-20	ROLLER GEAR	1	61	750-3474-20	DR-SPRING RB	1
25	621-0720-20	ROLLER GEAR C	1	62	750-3475-21	DR-SPRING C	1
26	621-0721-20	ROLLER GEAR D	1	63	750-6797-20	ROLLER SPRING L	1
27	621-0728-20	STOPPER LINK	1	64	750-6798-20	ROLLER SPRING R	1
28	621-1719-20	IDLE CASE	1	65	714-2003-8B	SCREW(M2x3)	2
29	621-1726-20	ROLLER SLEEVE	2	66	780-2025-00	SCREW(M2x2.5)	3
30	621-1729-20	SH-BASE	1	67	781-1730-00	SCREW(M1.7x3)	1
31	621-1742-20	UPPER GUIDE	1	68	803-4906-60	VINYL-COAT-WIRE(ORG)	1
32	621-1743-20	SHIFT LEVER	1	69	969-0071-30	PICKUP-ASSY	1
33	621-1744-20	RACK	1	70	816-2590-00	LEAD(GRN)	1
34	621-1745-20	LOCK ARM L	1	71	816-2591-00	LEAD(YEL)	1
35	621-1746-20	LOCK ARM R	1	72	816-2592-00	LEAD(BLUE)	1
36	621-1747-20	GEAR COVER	1	73	816-2593-00	LEAD(PUR)	1
37	621-1748-20	POWER GEAR A	1	74	966-1722-20	SH-RACK-ASSY	1

ELECTRICAL PARTS LIST

Main PWB (B1) section

Note)Several different parts of the same reference number are alternative parts.
One of those parts is used in the set.

REF No.	PART No.	DESCRIPTION	REF No.	PART No.	DESCRIPTION	REF No.	PART No.	DESCRIPTION
ANT1	092-4000-51	ANT-RECEPT	C29	187-1073-25	10V 100uF	C107	166-4711-50	470pF
BL1	880-2090B	TUNER	C30	187-4763-35	16V 47uF	C108	178-4742-78	0.47uF
C1	166-2201-50	22pF CH	C31	168-5622-55	5600uF	C109	178-4742-78	0.47uF
C2	166-2201-50	22pF CH	C32	166-1007-50	10pF	C110	178-4742-78	0.47uF
C3	168-1022-55	1000uF	C33	168-1032-55	0.01uF	C111	178-4742-78	0.47uF
C4	168-4732-78	0.047uF	C37	168-1042-78	0.1uF	C113	187-1063-35	16V 10uF
C6	168-1032-55	0.01uF	C38	187-1053-65	50V 1uF	C114	178-2242-78	0.22uF
C9	187-4763-35	16V 47uF	C45	187-4763-15	6.3V 47uF	C115	168-1042-78	0.1uF
C11	168-1032-55	0.01uF	C47	166-1011-50	100pF	C116	187-1053-65	50V 1uF
C15	187-1053-65	50V 1uF	C48	166-1011-50	100pF	C117	172-2231-15	0.022uF
C19	168-1832-55	0.018uF	C52	166-1501-50	15pF CH	C118	042-1447-00	16V 2200uF
C20	168-2232-55	0.022uF	C53	166-1801-50	18pF CH	C119	168-1022-55	1000pF
C21	168-2232-55	0.022uF	C54	168-4722-55	4700pF	C124	168-1042-78	0.1uF
C22	166-1007-50	10pF	C100	166-4711-50	470pF	C125	168-1022-55	1000pF
C23	168-1522-55	1500uF	C101	166-4711-50	470pF	C500	187-1063-35	16V 10uF
C24	187-1073-25	10V uF	C102	166-4711-50	470pF	C504	187-1063-35	16V 10uF
C25	168-1042-78	0.1uF	C103	166-4711-50	470pF	C506	187-2253-65	50V 2.2uF
C26	168-1032-55	0.01uF	C104	166-4711-50	470pF	C507	166-1011-50	100pF
C27	168-6822-55	6800pF	C105	166-4711-50	470pF	C508	166-1011-50	100pF
C28	166-1011-50	100pF	C106	166-4711-50	470pF	C509	166-1011-50	100pF

REF No.	PART No.	DESCRIPTION	REF No.	PART No.	DESCRIPTION	REF No.	PART No.	DESCRIPTION
C510	166-1011-50	100pF	C826	168-1032-55	0.01uF	IC4	052-3943-10	UPD784215AYG
C511	168-1042-78	0.1uF	C827	168-1042-78	0.1uF			-141-8EC-A
C512	168-1042-78	0.1uF	C828	168-1042-78	0.1uF	IC5	051-5033-90	PT2311
C513	168-1042-78	0.1uF	C829	168-6822-55	6800pF	IC6	051-2042-00	TA8275H
C514	168-1042-78	0.1uF	C830	168-1042-78	0.1uF	IC8	051-3349-00	HA13166
C515	187-2253-65	50V 2.2uF	C831	168-1532-55	0.015uF	IC09	051-3350-90	TAR5S15
C516	187-2253-65	50V 2.2uF	C832	166-4711-50	470pF	IC10	051-6079-90	BA5830FP
C517	187-2253-65	50V 2.2uF	C833	166-4701-50	47pF	IC11	051-6711-10	TC94A34FG-002
C518	187-2253-65	50V 2.2uF	C834	166-4711-50	470pF	IC12	051-6399-00	TC94A15F
C519	187-2253-65	50V 2.2uF	C835	168-1042-78	0.1uF	J1	074-1217-50	12P
C520	168-2222-55	2200pF	C836	168-4732-78	0.047uF	J201	074-1214-00	16P
C521	168-2222-55	2200pF	C837	168-1042-78	0.1uF	J301	074-1138-60	10P
C522	166-1011-50	100pF	C838	168-4732-78	0.047uF	J303	074-1138-65	15P
C523	166-1011-50	100pF	C839	168-1042-78	0.1uF	L1	010-2003-04	30uH(Variable)
C524	187-2263-35	16V 22uF	C840	168-1042-78	0.1uF	L3	010-6026-50	220uH
C525	168-2722-55	2700pF	C841	187-2263-35	16V 22uF	L5	010-6025-00	10uH
C526	168-2722-55	2700pF	C842	168-1042-78	0.1uF	L100	009-9006-70	CHOCHE
C527	168-1022-55	1000pF	C843	168-1042-78	0.1uF	L500	010-3105-62	1k ohm/10MHz
C528	178-4742-78	0.47uF	C844	187-1073-35	16V 100uF	L501	010-3105-62	1k ohm/10MHz
C529	178-4742-78	0.47uF	C845	168-1042-78	0.1uF	L502	010-3105-62	1k ohm/10MHz
C530	166-1007-50	10pF	C846	168-1042-78	0.1uF	L503	010-3105-62	1k ohm/10MHz
C600	042-1598-90	10V 470uF	C847	168-1042-78	0.1uF	L504	010-3105-62	1k ohm/10MHz
C601	168-1032-55	0.01uF	C848	168-1042-78	0.1uF	L600	010-2285-57	1k ohm/10MHz
C603	168-1032-55	0.01uF	C849	168-1042-78	0.1uF	L601	010-2285-57	1k ohm/10MHz
C604	166-2201-50	22uF CH	C850	168-2222-55	2200pF	L602	010-2285-57	1k ohm/10MHz
C605	168-1042-78	0.1uF	C851	168-1042-78	0.1uF	L603	010-2285-57	1k ohm/10MHz
C606	166-2201-50	22pF CH	C852	168-1042-78	0.1uF	L800	010-2285-57	1k ohm/10MHz
C608	178-2242-78	0.22uF	C853	168-1042-78	0.1uF	L801	010-2285-57	1k ohm/10MHz
C612	042-1598-90	10V 470uF	C854	168-1042-78	0.1uF	Q1	125-4011-90	KTD863YAT
C613	168-1042-78	0.1uF	C855	168-2222-55	2200pF	Q5	125-2041-93	RT1N241M
C614	168-1042-78	0.1uF	C856	168-5622-55	5600pF	Q6	125-0034-93	RT1P241M
C615	042-1598-90	10V 470uF	C857	168-1042-78	0.1uF	Q7	125-0034-93	RT1P241M
C616	168-1042-78	0.1uF	C858	168-1022-55	1000pF	Q500	125-4010-90	KTC3875GR
C617	168-1042-78	0.1uF	C859	178-1052-78	1uF	Q501	125-4010-90	KTC3875GR
C618	168-1042-78	0.1uF	C860	166-1011-50	100pF	Q502	125-0034-92	RT1P141M
C619	168-1042-78	0.1uF	C861	166-1011-50	100pF	Q600	125-3005-90	KTA1273
C620	042-1631-50	10V 100uF	CCT1	050-0149-50	1/32w 1k ohm(x4)	Q601	125-4011-90	KTD863(AT)
C621	168-1042-78	0.1uF	CCT2	050-0149-50	1/32w 1k ohm(x4)	Q602	125-0034-92	RT1P141M
C622	187-4763-15	6.3V 47uF	CCT3	050-0149-50	1/32w 1k ohm(x4)	Q603	125-0034-92	RT1P141M
C623	187-1063-35	16V 10uF	CCT4	050-0149-50	1/32w 1k ohm(x4)	Q604	125-0034-93	RT1P241M
C624	168-1032-55	0.01uF	CCT5	050-0149-50	1/32w 1k ohm(x4)	Q605	125-0034-92	RT1P141M
C625	168-6812-55	680pF	CCT6	050-0149-50	1/32w 1k ohm(x4)	Q606	125-2041-93	RT1N241M
C800	166-6801-50	68pF	CCT7	050-0149-50	1/32w 1k ohm(x4)	Q607	125-4010-90	KTC3875S(RTK)
C801	178-1052-78	1uF	CCT8	050-0149-50	1/32w 1k ohm(x4)	Q608	125-4010-90	KTC3875S(RTK)
C802	187-2273-15	6.3V 220uF	CCT9	050-0149-50	1/32w 1k ohm(x4)	Q609	125-2041-93	RT1N241M
C803	168-1032-55	0.01uF	CCT10	050-0149-50	1/32w 1k ohm(x4)	Q610	125-3005-90	KTA1273
C804	187-2273-15	6.3V 220uF	CCT11	050-0149-50	1/32w 1k ohm(x4)	Q611	125-2041-92	RT1N141N
C805	178-1052-78	1uF	CCT12	050-0149-50	1/32w 1k ohm(x4)	Q800	125-3011-90	KTA1663
C806	168-1042-78	0.1uF	CCT13	050-0149-50	1/32w 1k ohm(x4)	Q801	125-8014-90	KTK5134S
C807	166-6811-50	680pF	CCT14	050-0149-50	1/32w 1k ohm(x4)	Q802	125-0034-92	RT1P141M
C808	168-1042-78	0.1uF	CCT15	050-0149-51	1/32w 47k ohm(x4)	Q803	125-2041-93	RT1N241
C809	168-1042-78	0.1uF	D101	001-0466-91	S5688G	Q804	125-3011-90	KTA1663
C810	168-1522-55	1500pF	D102	001-0466-90	S5688B	Q805	125-2041-93	RT1N241M
C811	168-1042-78	0.1uF	D103	001-0592-61	IN5404	Q806	125-8014-90	KTK5134S
C812	178-1052-78	1uF	D602	001-4907-90	PG05GBUSV	Q807	125-2041-93	RT1N241M
C813	187-1073-15	6.3V 100uF	D603	001-4301-38	HZU6.8B2	Q808	125-8014-90	KTK5134S
C814	168-1042-78	0.1uF	D604	001-1310-00	KDS160	R1	119-3311-15	1/10W 330 ohm
C815	178-1052-78	1uF	D605	001-4301-38	HZU6.8B2	R2	119-0000-05	1/10W 0 ohm JW
C816	168-1532-55	0.015uF	D606	001-1310-00	KDS160	R3	119-8201-15	1/10W 82 ohm
C817	168-1042-78	0.1uF	D607	001-1310-00	KDS160	R4	119-4721-15	1/10W 4.7k ohm
C818	168-4722-55	4700P	D608	001-1310-00	KDS160	R5	119-2221-15	1/10W 2.2k ohm
C819	187-2273-15	6.3V 220uF	D610	001-1310-00	KDS160	R7	119-1021-15	1/10W 1k ohm
C820	168-1042-78	0.1uF	D611	001-4301-29	HZU5.1B2	R9	119-1021-15	1/10W 1k ohm
C821	168-3332-78	0.033uF	D612	001-1310-00	KDS160	R10	119-0000-05	1/10W 0 ohm JW
C822	178-1052-78	1uF	D613	001-0466-91	S5688G	R16	119-4741-15	1/10W 470k ohm
C823	168-1042-78	0.1uF	D614	001-0466-90	S5688B	R17	119-1231-15	1/10W 12k ohm
C824	187-1073-15	6.3V 100uF	D800	001-1313-00	KDS226	R21	119-1031-15	1/10W 10k ohm
C825	168-1042-78	0.1uF	IC3	051-6201-90	LC72146M	R24	119-1031-15	1/10W 10k ohm

REF No.	PART No.	DESCRIPTION	REF No.	PART No.	DESCRIPTION	REF No.	PART No.	DESCRIPTION
R26	119-2221-15	1/10W 2.2k ohm	R613	119-1021-15	1/10W 1k ohm	R803	032-0162-50	1/10W 0.51ohm
R31	119-5631-15	1/10W 56k ohm	R614	119-2241-15	1/10W 220k ohm	R804	119-6821-15	1/10W 6.8k ohm
R35	119-1021-15	1/10W 1k ohm	R615	119-1021-15	1/10W 1k ohm	R805	119-4731-15	1/10W 47k ohm
R37	119-1031-15	1/10W 10k ohm	R616	119-1021-15	1/10W 1k ohm	R806	119-2731-15	1/10W 27k ohm
R38	119-1041-15	1/10W 100k ohm	R617	119-2221-15	1/10W 2.2k ohm	R807	119-2731-15	1/10W 27k ohm
R39	119-6821-15	1/10W 6.8k ohm	R618	119-3321-15	1/10W 3.3k ohm	R808	119-2231-15	1/10W 22k ohm
R100	119-1031-15	1/10W 10k ohm	R620	119-1011-15	1/10W 100 ohm	R809	119-4731-15	1/10W 47k ohm
R101	119-1021-15	1/10W 1k ohm	R621	119-1021-15	1/10W 1k ohm	R810	119-3341-15	1/10W 330k ohm
R102	116-2231-15	1/4W 22k ohm	R622	119-1011-15	1/10W 100 ohm	R811	119-4731-15	1/10W 47k ohm
R103	119-1021-15	1/10W 1k ohm	R623	119-0000-05	1/10W 0 ohm JW	R812	119-1531-15	1/10W 15k ohm
R104	119-1021-15	1/10W 1k ohm	R624	119-1021-15	1/10W 1k ohm	R813	119-8231-15	1/10W 82k ohm
R105	119-0000-05	1/10W 0 ohm JW	R625	119-1021-15	1/10W 1k ohm	R814	119-5621-15	1/10W 5.6k ohm
R106	119-1021-15	1/10W 1k ohm	R626	119-1021-15	1/10W 1k ohm	R815	119-2731-15	1/10W 27k ohm
R107	119-1031-15	1/10W 10k ohm	R627	119-1021-15	1/10W 1k ohm	R816	119-8231-15	1/10W 82k ohm
R108	119-1231-15	1/10W 12k ohm	R628	119-1031-15	1/10W 10k ohm	R817	119-2731-15	1/10W 27k ohm
R500	119-5611-15	1/10W 560 ohm	R629	119-1021-15	1/10W 1k ohm	R818	119-1831-15	1/10W 18k ohm
R501	119-3311-15	1/10W 330 ohm	R630	119-1021-15	1/10W 1k ohm	R819	119-1031-15	1/10W 10k ohm
R502	119-5621-15	1/10W 5.6k ohm	R631	119-1021-15	1/10W 1k ohm	R820	119-1001-15	1/10W 10 ohm
R503	119-3901-15	1/10W 39 ohm	R632	119-1021-15	1/10W 1k ohm	R822	119-2211-15	1/10W 220 ohm
R504	119-1031-15	1/10W 10kohm	R633	119-1031-15	1/10W 10k ohm	R823	119-6811-15	1/10W 680 ohm
R505	119-3901-15	1/10W 39 ohm	R634	119-1031-15	1/10W 10k ohm	R824	119-1051-15	1/10W 1M ohm
R506	119-3901-15	1/10W 39 ohm				R825	119-6811-15	1/10W 680 ohm
R507	119-5621-15	1/10W 5.6k ohm	R635	119-1031-15	1/10W 10k ohm	R826	119-2221-15	1/10W 2.2k ohm
R508	119-1031-15	1/10W 10k ohm				R827	119-1041-15	1/10W 100k ohm
R509	119-3901-15	1/10W 39 ohm	R636	119-1031-15	1/10W 10k ohm	R828	119-4731-15	1/10W 47k ohm
R510	119-5611-15	1/10W 560 ohm	R637	119-1031-15	1/10W 10k ohm	R829	119-2231-15	1/10W 22k ohm
R511	119-3311-15	1/10W 330 ohm	R638	119-1031-15	1/10W 10k ohm	R830	119-2221-15	1/10W 2.2k ohm
R512	119-5621-15	1/10W 5.6k ohm	R639	119-1041-15	1/10W 100k ohm	R831	119-2221-15	1/10W 2.2k ohm
R513	119-5621-15	1/10W 5.6k ohm	R640	119-1041-15	1/10W 100k ohm	R832	119-4721-15	1/10W 4.7k ohm
R514	119-4721-15	1/10W 4.7k ohm	R641	119-4731-15	1/10W 47k ohm	R833	119-4721-15	1/10W 4.7k ohm
R515	119-1031-15	1/10W 10k ohm	R642	119-4731-15	1/10W 47k ohm	R834	119-4721-15	1/10W 4.7k ohm
R516	119-1031-15	1/10W 10k ohm	R644	119-1031-15	1/10W 10k ohm	R835	119-2211-15	1/10W 220 ohm
R517	119-1831-15	1/10W 18k ohm	R645	119-1001-15	1/10W 10 ohm	R836	119-2211-15	1/10W 220 ohm
R518	119-1831-15	1/10W 18k ohm	R646	116-1021-15	1/4W 1k ohm	R837	119-3321-15	1/10W 3.3k ohm
R600	119-1541-15	1/10W 150k ohm	R647	119-1041-15	1/10W 100k ohm	R838	119-2221-15	1/10W 2.2k ohm
R601	119-1031-15	1/10W 10k ohm	R648	119-5631-15	1/10W 56k ohm	R839	119-3321-15	1/10W 3.3k ohm
R602	119-0000-05	1/10W 0 ohm JW	R649	116-2231-15	1/4W 22k ohm	S600	013-6103-00	TACT SWITCH
R603	119-1031-15	1/10W 10k ohm	R650	119-5631-15	1/10W 56k ohm	SUP1	060-0122-20	DSP-141N-S00B
R604	119-4731-15	1/10W 47k ohm	R651	119-6831-15	1/10W 68k ohm	X2	061-1066-00	7.2MHz
R605	119-1031-15	1/10W 10k ohm	R652	119-4731-15	1/10W 47k ohm	X3	060-1535-90	16.934MHz
R607	119-1021-15	1/10W 1k ohm	R653	116-1221-15	1/4W 1.2k ohm	X4	060-1535-90	16.934MHz
R609	119-1021-15	1/10W 1k ohm	R654	119-1031-15	1/10W 10k ohm	X5	061-1081-50	12.00MHz
R610	119-1021-15	1/10W 1k ohm	R800	119-2211-15	1/10W 220 ohm	PWB	039-2820-00	PWB(WITHOUT COMPONENT)
R611	119-0000-05	1/10W 0 ohm JW	R801	119-1001-15	1/10W 10 ohm			
R612	119-1021-15	1/10W 1k ohm	R802	119-2231-15	1/10W 22k ohm			

Switch PWB (B2) section

REF No.	PART No.	DESCRIPTION	REF No.	PART No.	DESCRIPTION	REF No.	PART No.	DESCRIPTION
C701	168-4732-78	25V 0.047uF	D710	001-4301-29	HZU5.1B2	R702	119-4731-15	1/10W 47k ohm
C702	168-4732-78	25V 0.047uF	D712	001-1310-00	KDS160	R703	119-6841-15	1/10W 680k ohm
C703	168-4732-78	25V 0.047uF	IC702	051-6013-00	LC75854	R704	119-2231-15	1/10W 22k ohm
C704	168-1022-55	50V 1000pF	IC702	051-6013-50	PT6554LQ	R712	119-4711-15	1/10W 470 ohm
C706	042-0423-97	16V 10uF	IR701	060-4017-90	RS-171-T	R714	119-6811-15	1/10W 680 ohm
C707	042-0423-97	16V 10uF	J702	076-0615-50	12P	R715	119-8211-15	1/10W 820 ohm
CCT701	050-0149-52	1/32W 2.2k ohm (x4)	LCD702	379-1352-41	INDICATOR(LCD)	R717	119-1021-15	1/10W 1k ohm
D701	001-7046-01	DIODE	PL701	017-0444-00	PILOLAMP	R718	119-1011-15	1/10W 100 ohm
D702	001-4907-90	PG05GBUSU				S719	016-9900-84	VR W/SHAFT
D707	001-4301-41	HZU7.5B2	PL702	017-0444-00	PILOLAMP	PWB	039-2821-00	PWB(WITHOUT COMPONENT)
D709	001-4301-38	HZU6.8B2						

CD mechanism section: 929-5003-80

SENSOR PWB (B3) section

REF No.	PART No.	DESCRIPTION	REF No.	PART No.	DESCRIPTION	REF No.	PART No.	DESCRIPTION
D1	001-7058-90	AN1105W-RR	Q1	060-4015-91	PS1192HB	S2	013-7413-50	SPVG12
D2	001-7058-90	AN1105W-RR	Q2	060-4015-91	PS1192HB	PWB	039-2675-20	PWB(WITHOUT COMPONENT)
J1	074-1138-60	10P	S1	013-7414-50	SPVG22			