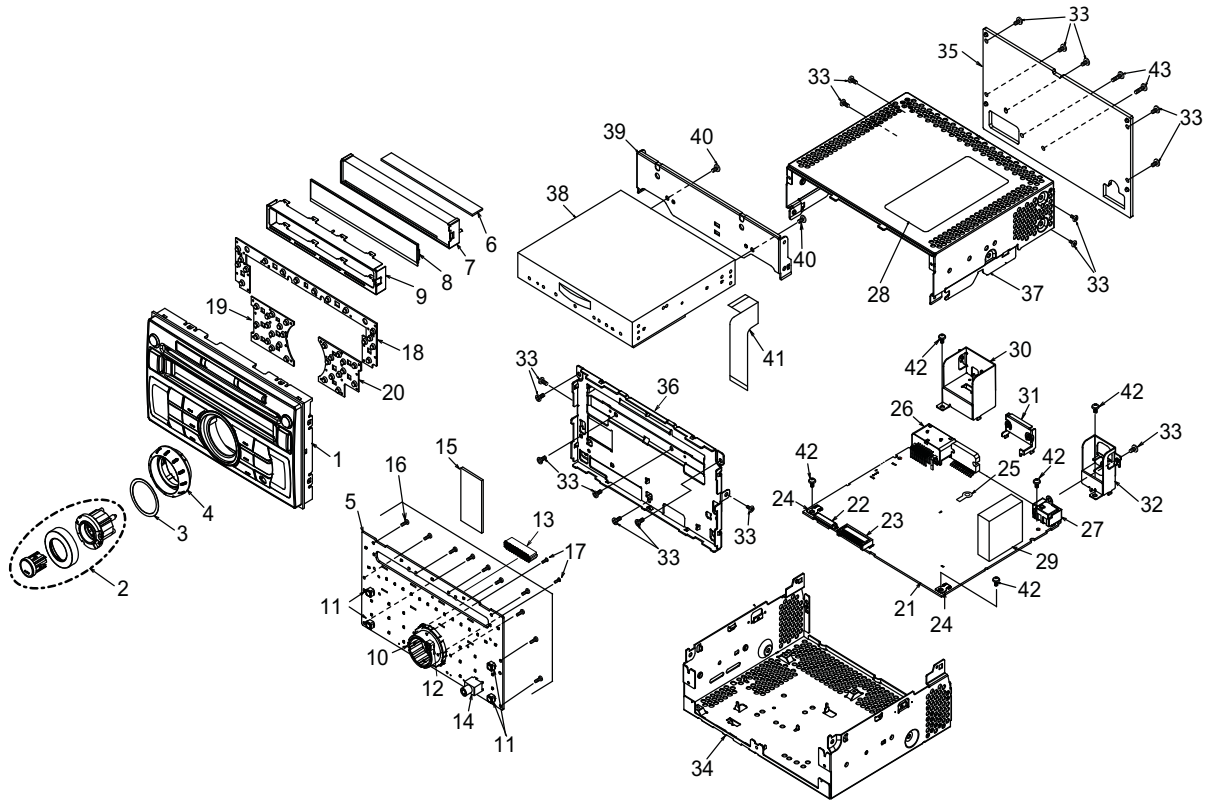


# EXPLODED VIEW/PARTS LIST

## Main section



NO.	PART NO.	DESCRIPTION	Q'TY
1	940-8436-50	ES-ASSY	1
2	947-0591-10	KNOB ASSY	1
3	347-7959-00	SHADE	1
4	380-5655-00	KNOB	1
5	-----	Switch PWB	1
6	345-6311-01	RUBBER CONNECT	1
7	335-8365-00	LCD-HOLDER	1
8	379-1419-50	INDICATOR	1
9	331-4675-01	LCD COVER	1
10	016-7004-00	ROTARY SWITCH	1
11	013-6202-52	TACT SWITCH	4
12	013-6201-53	SWITCH	1
13	074-3033-26	OUTLET SOCKET (26P)	1
14	075-0395-01	JACK	1
15	345-8090-00	CUSHION RUBBER	1
16	716-0778-52	WAVE SCREW (M2x8)	10
17	716-0872-51	SCREW (M1.7x5)	2
18	345-6307-00	RUBBER SW(UP)	1
19	345-6308-00	RUBBER SW(LH)	1
20	345-6309-00	RUBBER SW(RH)	1
21	-----	Main PWB	1
22	074-1189-88	OUTLET SOCKET (38P)	1

NO.	PART NO.	DESCRIPTION	Q'TY
23	076-3011-76	PLUG (26P)	1
24	073-0762-90	TERMINAL	2
25	073-0768-90	TERMINAL	1
26	074-4009-20	OUTLET SOCKET (20P)	1
27	092-2210-00	ANT-RECEPT	1
28	276-0359-21	SETPLATE	1
29	880-2091L	AM/FM TUNER	1
30	331-4679-00	SOCKET HOLDER	1
31	331-4678-00	IC-HOLDER	1
32	331-4676-00	ANT-HOLDER	1
33	714-2606-8B	MACHINE SCREW (M2.6x6)	17
34	311-1969-00	LOWER CASE	1
35	313-2052-10	HEAT SINK	1
36	309-1885-00	ES-PLATE(1CD)	1
37	310-1889-00	UPPER CASE	1
38	929-5027-81	CD-MECH-MODULE	1
39	331-4123-00	CD BRKT	1
40	714-2603-89	MACHINE SCREW (M2.6x3)	2
41	816-3020-51	FLAT WIRE	1
42	716-0878-50	SCREW (M2.6x5)	5
43	735-2614-1B	D-SEMS SCREW (M2.6x14)	2

# ELECTRICAL PARTS LIST

## Main PWB(B1) section

REF No.	PART No.	DESCRIPTION	REF No.	PART No.	DESCRIPTION	REF No.	PART No.	DESCRIPTION
ANT101	092-2210-00	ANTENNA RECEPT	C337	168-3332-78	0.033uF K	C529	168-4742-78	0.47uF K
BL101	880-2091L	AM/FM TUNER	C338	168-1022-55	1000pF K	C530	168-1042-38	50V 0.1uF K
C101	168-2222-55	2200pF K	C340	168-1022-55	1000pF K	C531	163-1073-35	16V 100uF
C102	166-1801-50	18pF CH	C341	166-1011-50	100pF CH	C532	168-1542-58	0.15uF K
C103	166-1801-50	18pF CH	C342	168-1022-55	1000pF K	C533	168-1542-58	0.15uF K
C104	166-6801-50	68pF CH	C343	168-4712-55	470pF K	C534	168-1542-58	0.15uF K
C105	168-1022-55	1000pF K	C344	168-1042-78	16V 0.1uF K	C535	168-1542-58	0.15uF K
C107	168-1022-55	1000pF K	C345	168-1022-55	1000pF K	C536	168-1042-78	16V 0.1uF K
C109	168-5612-55	560pF Z	C347	168-3322-55	3300pF K	C537	168-1052-78	16V 1uF K
C110	168-5612-55	560pF Z	C348	168-3322-55	3300pF K	C540	042-1760-90	16V 10uF M
C111	168-5612-55	560pF Z	C349	168-3322-55	3300pF K	C541	178-2742-78	0.27uF
C112	043-0319-51	200pF J CH	C350	168-3322-55	3300pF K	C542	168-1052-78	16V 1uF K
C113	166-2201-50	22pF CH	C351	168-3322-55	3300pF K	C543	163-4763-35	16V 47uF
C114	168-3912-55	390pF K	C352	168-3322-55	3300pF K	C544	163-2273-25	10V 220uF
C115	168-3912-55	390pF K	C354	043-0554-90	25V 10uF	C545	168-2212-55	220pF K
C116	168-3912-55	390pF K	C355	042-1736-90	16V 470uF M	C546	166-2201-50	22pF CH
C118	168-1022-55	1000pF K	C356	168-4722-55	4700pF K	C548	163-4763-35	16V 47uF
C121	163-1073-35	16V 100uF	C357	163-1073-15	6.3V 100uF	C549	042-1465-00	16V 3300uF
C124	168-2222-55	2200pF K	C358	168-2222-55	2200pF K	C550	172-1041-15	0.1uF
C127	168-1022-55	1000pF K	C359	043-0570-90	16V 2.2uF K	C551	163-4763-35	16V 47uF
C129	168-1022-55	1000pF K	C360	043-0570-90	16V 2.2uF K	C552	163-4763-35	16V 47uF
C132	168-1022-55	1000pF K	C361	166-2201-50	22pF CH	C554	168-6822-55	6800pF K
C135	168-1022-55	1000pF K	C362	168-2222-55	2200pF K	C555	168-6822-55	6800pF K
C136	163-1073-35	16V 100uF	C363	166-2201-50	22pF CH	C556	168-6822-55	6800pF K
C152	163-1063-35	16V 10uF	C364	166-2201-50	22pF CH	C557	168-6822-55	6800pF K
C154	163-1063-35	16V 10uF	C365	168-2222-55	2200pF K	C558	168-6822-55	6800pF K
C203	168-1042-78	16V 0.1uF K	C366	166-2201-50	22pF CH	C559	168-6822-55	6800pF K
C204	163-3363-25	10V 33uF	C367	168-2222-55	2200pF K	C560	168-6822-55	6800pF K
C227	043-0552-90	6.3V 47uF M	C368	166-2201-50	22pF CH	C561	168-6822-55	6800pF K
C230	168-2242-58	0.22uF K	C369	166-2201-50	22pF CH	C562	168-6822-55	6800pF K
C231	168-3342-58	0.33uF K	C370	043-0570-90	16V 2.2uF K	C563	043-0574-90	25V 1.0uF
C232	043-0554-90	25V 10uF	C371	043-0570-90	16V 2.2uF K	C564	168-1042-78	16V 0.1uF K
C238	163-1063-35	16V 10uF	C372	043-0570-90	16V 2.2uF K	C565	163-1063-35	16V 10uF
C245	168-2222-55	2200pF K	C373	043-0570-90	16V 2.2uF K	C566	168-2232-55	0.022uF K
C257	168-5622-55	5600pF K	C401	168-1042-78	16V 0.1uF K	C567	042-4000-90	16V 470uF
C258	168-5622-55	5600pF K	C402	168-1042-78	16V 0.1uF K	C568	168-1522-55	1500pF K
C259	168-2222-55	2200pF K	C408	166-1801-50	18pF CH	C569	166-2201-50	22pF CH
C301	163-4753-65	50V 4.7uF	C409	168-1042-78	16V 0.1uF K	C570	178-2242-38	0.22uF B
C302	168-1042-78	16V 0.1uF K	C410	163-4763-15	6.3V 47uF	C571	168-1542-58	0.15uF K
C303	166-1811-50	180pF CH	C411	168-1042-78	16V 0.1uF K	C572	168-1542-58	0.15uF K
C304	168-1042-78	16V 0.1uF K	C412	168-1032-55	0.01uF K	C573	168-1542-58	0.15uF K
C305	168-1042-78	16V 0.1uF K	C414	168-2242-58	0.22uF K	C574	168-1542-58	0.15uF K
C306	166-8097-50	8pF +/-0.5pF CH	C415	168-2242-58	0.22uF K	C576	168-1022-55	1000pF K
C307	166-8097-50	8pF +/-0.5pF CH	C416	168-2242-58	0.22uF K	CCT402	050-0140-54	1/32W 1k ohm x4J
C308	168-1022-55	1000pF K	C417	168-2242-58	0.22uF K	CCT403	050-0145-52	1/16W 1k ohm x4
C309	163-4753-65	50V 4.7uF	C418	168-2242-58	0.22uF K	CCT404	050-0145-52	1/16W 1k ohm x4
C310	168-1042-78	16V 0.1uF K	C419	168-1022-55	1000pF K	D101	001-9013-90	BA891
C311	163-4753-65	50V 4.7uF	C501	168-1042-78	16V 0.1uF K	D102	001-9013-90	BA891
C312	168-1042-78	16V 0.1uF K	C502	168-1042-78	16V 0.1uF K	D103	001-9013-90	BA891
C313	168-1022-55	1000pF K	C503	168-1042-78	16V 0.1uF K	D104	001-0580-90	1SS352
C314	168-1022-55	1000pF K	C504	168-1042-78	16V 0.1uF K	D106	001-0529-48	MA8091-H
C315	166-1011-50	100pF CH	C506	166-5611-50	560pF CH	D107	001-0580-90	1SS352
C316	168-1042-78	16V 0.1uF K	C507	166-5611-50	560pF CH	D210	001-4313-53	HZU9B1L TRF-E
C317	168-5622-55	5600pF K	C509	166-5611-50	560pF CH	D401	001-2630-90	1SS420-TPL3,F
C318	168-5622-55	5600pF K	C510	166-5611-50	560pF CH	D501	001-2640-90	D1FJ4
C319	166-1011-50	100pF CH	C511	166-2201-50	22pF CH	D502	001-0529-48	MA8091-H
C320	166-1011-50	100pF CH	C512	166-2201-50	22pF CH	D504	001-0529-48	MA8091-H
C322	168-1022-55	1000pF K	C513	166-2201-50	22pF CH	D506	001-2015-00	RL253
C323	168-1022-55	1000pF K	C514	166-2201-50	22pF CH	D507	001-0580-90	1SS352
C324	163-2273-05	4V 220uF	C515	168-1052-78	16V 1uF K	D510	001-0529-48	MA8091-H
C325	168-2222-55	2200pF K	C516	163-1073-35	16V 100uF	D511	001-4320-50	EDZC6.8B
C326	166-4711-50	470pF CH	C518	166-5611-50	560pF CH	D512	001-0580-90	1SS352
C327	163-2263-35	16V 22uF	C519	166-5611-50	560pF CH	D514	001-4320-50	EDZC6.8B
C328	163-4763-15	6.3V 47uF	C520	168-3342-58	0.33uF K	D515	001-0529-34	MA8062-L
C330	166-1011-50	100pF CH	C521	166-5611-50	560pF CH	D517	001-0529-47	MA8091-M
C331	168-1042-78	16V 0.1uF K	C522	166-5611-50	560pF CH	D536	001-2412-90	RR264M-400
C332	166-1011-50	100pF CH	C523	168-1042-78	16V 0.1uF K	D538	001-2412-90	RR264M-400
C333	168-1022-55	1000pF K	C524	168-2242-58	0.22uF K	IC202	051-3552-90	NJU7741F15
C334	168-1022-55	1000pF K	C525	043-0552-90	6.3V 47uF M	IC203	051-3518-90	NJM2846DL3-33-TE1
C335	163-1063-35	16V 10uF	C526	043-0566-90	50V 2.2uF K	IC301	-----	SAF7730HV/N332
C336	168-1052-78	16V 1uF K	C527	043-0604-90	25V 10uF B	IC302	051-3034-90	NJM4558V

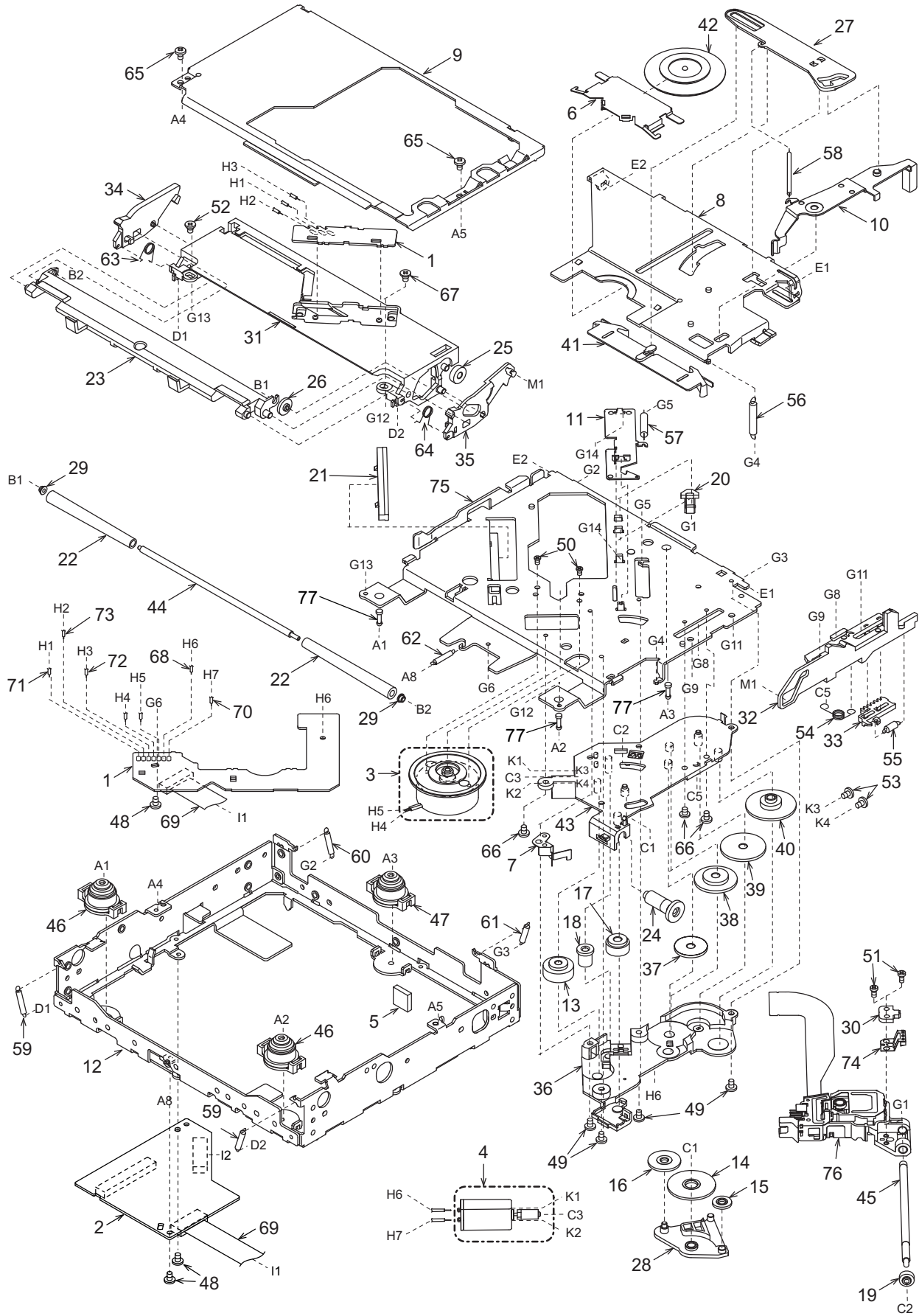
REF No.	PART No.	DESCRIPTION	REF No.	PART No.	DESCRIPTION	REF No.	PART No.	DESCRIPTION
IC401	051-9426-90	S-24CS16A01-T8T1G	R120	119-1011-15	1/10W 100 ohm	R352	119-1021-15	1/10W 1k ohm
IC403	052-3222-50	M30876MJB-A44GP	R121	117-1021-15	1/8W 1k ohm	R353	119-1021-15	1/10W 1k ohm
IC405	051-5417-08	S-80927CNMC-B8M	R122	119-1011-15	1/10W 100 ohm	R354	119-1021-15	1/10W 1k ohm
IC502	051-3019-90	NJM2060V	R123	117-1021-15	1/8W 1k ohm	R356	119-1001-15	1/10W 10 ohm
IC503	051-3551-90	NJM2878F3-33-TE1	R125	119-0000-05	1/10W 0 ohm JW	R357	032-0140-15	1/10W 6.8k ohm F
IC504	051-3396-90	NJM2386ADL3-33-TE1	R126	119-4721-15	1/10W 4.7k ohm	R358	032-0140-15	1/10W 6.8k ohm F
IC505	-----	LT3481EMSE#TRP BF	R127	119-4721-15	1/10W 4.7k ohm	R360	032-0140-15	1/10W 6.8k ohm F
IC506	051-2064-00	TB2926HQ	R128	119-4721-15	1/10W 4.7k ohm	R361	032-0140-15	1/10W 6.8k ohm F
IC507	051-3034-90	NJM4558V	R129	166-1511-50	150pF CH	R362	032-0140-50	1/10W 10k ohm F
IC508	051-5441-08	BD4828G-TR	R131	119-4721-15	1/10W 4.7k ohm	R363	032-0140-50	1/10W 10k ohm F
J202	074-1189-88	38P	R132	119-4721-15	1/10W 4.7k ohm	R364	032-0140-50	1/10W 10k ohm F
J502	074-4009-20	20P	R133	119-4721-15	1/10W 4.7k ohm	R365	032-0140-50	1/10W 10k ohm F
L102	010-2198-52	3.3uH	R135	119-1011-15	1/10W 100 ohm	R366	032-0140-50	1/10W 10k ohm F
L103	010-2198-52	3.3uH	R141	119-1011-15	1/10W 100 ohm	R367	032-0140-50	1/10W 10k ohm F
L105	010-2003-04	30uH	R143	119-1011-15	1/10W 100 ohm	R411	119-4721-15	1/10W 4.7k ohm
L106	010-4011-20	2.5mH +/-3%	R146	116-6891-15	1/4W 6.8 ohm	R412	119-4721-15	1/10W 4.7k ohm
L108	010-2198-50	0.15uH	R150	119-3321-15	1/10W 3.3k ohm	R413	119-3311-15	1/10W 330 ohm
L201	010-3104-54	600 ohm/100MHz	R154	119-3321-15	1/10W 3.3k ohm	R414	119-3311-15	1/10W 330 ohm
L202	010-3104-54	600 ohm/100MHz	R155	119-3321-15	1/10W 3.3k ohm	R415	119-4731-15	1/10W 47k ohm
L301	010-3104-54	600 ohm/100MHz	R161	119-0000-05	1/10W 0 ohm JW	R416	119-4731-15	1/10W 47k ohm
L302	010-3104-54	600 ohm/100MHz	R162	119-3321-15	1/10W 3.3k ohm	R417	119-4731-15	1/10W 47k ohm
L303	010-3104-54	600 ohm/100MHz	R170	116-1091-15	1/4W 1 ohm	R422	119-0000-05	1/10W 0 ohm JW
L304	010-3104-54	600 ohm/100MHz	R173	116-1221-15	1/4W 1.2k ohm	R423	119-1011-15	1/10W 100 ohm
L305	010-3104-54	600 ohm/100MHz	R174	116-3911-15	1/4W 390 ohm	R424	119-1011-15	1/10W 100 ohm
L306	010-3104-54	600 ohm/100MHz	R176	119-1031-15	1/10W 10k ohm	R432	119-1011-15	1/10W 100 ohm
L307	010-3104-54	600 ohm/100MHz	R180	119-0000-05	1/10W 0 ohm JW	R433	119-1011-15	1/10W 100 ohm
L308	010-3104-54	600 ohm/100MHz	R212	119-4731-15	1/10W 47k ohm	R434	119-1031-15	1/10W 10k ohm
L309	010-3104-54	600 ohm/100MHz	R214	119-4721-15	1/10W 4.7k ohm	R435	119-1031-15	1/10W 10k ohm
L310	010-3104-54	600 ohm/100MHz	R215	119-4721-15	1/10W 4.7k ohm	R437	119-4731-15	1/10W 47k ohm
L311	010-3104-54	600 ohm/100MHz	R241	119-4731-15	1/10W 47k ohm	R439	119-4731-15	1/10W 47k ohm
L312	010-3104-54	600 ohm/100MHz	R247	116-3911-15	1/4W 390 ohm	R440	119-4731-15	1/10W 47k ohm
L313	010-3104-54	600 ohm/100MHz	R248	116-3911-15	1/4W 390 ohm	R442	119-4721-15	1/10W 4.7k ohm
L402	010-3406-54	2.2uH J	R249	119-1041-15	1/10W 100k ohm	R444	119-1021-15	1/10W 1k ohm
L501	010-3104-54	600 ohm/100MHz	R258	119-1021-15	1/10W 1k ohm	R445	119-4731-15	1/10W 47k ohm
L502	010-3414-92	2.2uH	R259	119-1021-15	1/10W 1k ohm	R446	119-4731-15	1/10W 47k ohm
L503	010-8050-00	240uH	R260	119-1021-15	1/10W 1k ohm	R447	119-1031-15	1/10W 10k ohm
P402	076-3011-76	26P	R261	119-1021-15	1/10W 1k ohm	R448	119-4731-15	1/10W 47k ohm
Q101	192-4116-00	2SC4116	R301	119-1031-15	1/10W 10k ohm	R449	119-4731-15	1/10W 47k ohm
Q102	192-4116-00	2SC4116	R302	119-1031-15	1/10W 10k ohm	R450	119-0000-05	1/10W 0 ohm JW
Q103	192-4116-00	2SC4116	R303	119-2201-15	1/10W 22 ohm	R452	119-4731-15	1/10W 47k ohm
Q105	198-3018-00	2SK3018	R308	119-1031-15	1/10W 10k ohm	R453	119-1031-15	1/10W 10k ohm
Q106	198-3018-00	2SK3018	R309	119-1011-15	1/10W 100 ohm	R454	119-4731-15	1/10W 47k ohm
Q107	192-5886-00	2SC5886	R310	119-1021-15	1/10W 1k ohm	R456	119-1021-15	1/10W 1k ohm
Q108	125-2027-90	DTC143EU	R312	119-3921-15	1/10W 3.9k ohm	R458	119-1021-15	1/10W 1k ohm
Q109	190-2060-00	2SA2060	R314	119-3921-15	1/10W 3.9k ohm	R459	119-4731-15	1/10W 47k ohm
Q214	193-1259-50	2SD1259DS R,Q	R316	119-0000-05	1/10W 0 ohm JW	R460	119-4731-15	1/10W 47k ohm
Q301	125-7007-90	Si5441BDC-TI-E3	R318	119-1041-15	1/10W 100k ohm	R463	119-4731-15	1/10W 47k ohm
Q302	125-2027-91	DTC114EUA	R319	119-1041-15	1/10W 100k ohm	R466	119-4731-15	1/10W 47k ohm
Q407	125-2027-91	DTC114EUA	R320	119-1001-15	1/10W 10 ohm	R469	119-1011-15	1/10W 100 ohm
Q408	198-3018-00	2SK3018	R321	119-3921-15	1/10W 3.9k ohm	R472	119-1011-15	1/10W 100 ohm
Q409	125-2027-91	DTC114EUA	R322	119-0000-05	1/10W 0 ohm JW	R474	119-4731-15	1/10W 47k ohm
Q410	198-3018-00	2SK3018	R323	119-1021-15	1/10W 1k ohm	R475	119-1011-15	1/10W 100 ohm
Q411	125-2027-91	DTC114EUA	R324	119-3921-15	1/10W 3.9k ohm	R476	119-1011-15	1/10W 100 ohm
Q504	125-2027-91	DTC114EUA	R325	119-0000-05	1/10W 0 ohm JW	R477	119-4721-15	1/10W 4.7k ohm
Q505	191-1197-50	2SB1197K Q,R	R326	119-0000-05	1/10W 0 ohm JW	R478	119-4721-15	1/10W 4.7k ohm
Q506	192-5886-00	2SC5886	R328	119-0000-05	1/10W 0 ohm JW	R481	119-2231-15	1/10W 22k ohm
Q511	192-5810-00	2SC5810 TE12L	R330	119-0000-05	1/10W 0 ohm JW	R482	119-4731-15	1/10W 47k ohm
Q512	125-2027-91	DTC114EUA	R335	119-1031-15	1/10W 10k ohm	R484	119-4731-15	1/10W 47k ohm
Q513	191-1197-50	2SB1197K Q,R	R336	119-1031-15	1/10W 10k ohm	R485	119-4731-15	1/10W 47k ohm
Q514	192-4116-51	2SC4116 G,L	R337	119-1031-15	1/10W 10k ohm	R486	119-1041-15	1/10W 100k ohm
Q515	191-1204-61	2SB1204 R,S,T	R338	119-1031-15	1/10W 10k ohm	R487	119-1041-15	1/10W 100k ohm
Q516	125-2027-91	DTC114EUA	R339	119-1011-15	1/10W 100 ohm	R492	119-4731-15	1/10W 47k ohm
Q517	191-1197-50	2SB1197K Q,R	R340	119-1011-15	1/10W 100 ohm	R493	119-4721-15	1/10W 4.7k ohm
Q518	192-4081-00	2SC4081	R341	119-0000-05	1/10W 0 ohm JW	R494	119-4721-15	1/10W 4.7k ohm
Q519	192-4116-00	2SC4116	R342	119-0000-05	1/10W 0 ohm JW	R495	119-4731-15	1/10W 47k ohm
Q521	192-4116-51	2SC4116 G,L	R343	119-0000-05	1/10W 0 ohm JW	R496	119-4721-15	1/10W 4.7k ohm
R105	119-0000-05	1/10W 0 ohm JW	R344	119-0000-05	1/10W 0 ohm JW	R497	119-4721-15	1/10W 4.7k ohm
R111	119-1221-15	1/10W 1.2k ohm	R345	119-0000-05	1/10W 0 ohm JW	R498	119-1041-15	1/10W 100k ohm
R116	119-0000-05	1/10W 0 ohm JW	R346	119-0000-05	1/10W 0 ohm JW	R499	119-1041-15	1/10W 100k ohm
R117	119-1221-15	1/10W 1.2k ohm	R347	119-1031-15	1/10W 10k ohm	R502	119-1031-15	1/10W 10k ohm
R118	119-1011-15	1/10W 100 ohm	R348	119-0000-05	1/10W 0 ohm JW	R503	119-1031-15	1/10W 10k ohm
R119	117-1021-15	1/8W 1k ohm	R349	119-4731-15	1/10W 47k ohm	R504	119-1031-15	1/10W 10k ohm
			R350	119-0000-05	1/10W 0 ohm JW	R505	119-1031-15	1/10W 10k ohm
			R351	119-1021-15	1/10W 1k ohm	R507	119-1031-15	1/10W 10k ohm

REF No.	PART No.	DESCRIPTION	REF No.	PART No.	DESCRIPTION	REF No.	PART No.	DESCRIPTION
R508	119-1031-15	1/10W 10k ohm	R536	119-1031-15	1/10W 10k ohm	R575	116-1531-15	1/4W 15k ohm
R509	119-1031-15	1/10W 10k ohm	R537	032-0140-51	1/10W 15k ohm F	R578	119-0000-05	1/10W 0 ohm JW
R510	119-1031-15	1/10W 10k ohm	R544	119-4731-15	1/10W 47k ohm	R579	119-1031-15	1/10W 10k ohm
R511	119-1031-15	1/10W 10k ohm	R547	119-4721-15	1/10W 4.7k ohm	R580	119-5611-15	1/10W 560 ohm
R512	119-1031-15	1/10W 10k ohm	R548	119-4721-15	1/10W 4.7k ohm	R581	116-4791-15	1/4W 4.7 ohm
R514	119-1051-15	1/10W 1M ohm	R549	119-3331-15	1/10W 33k ohm	R582	116-4791-15	1/4W 4.7 ohm
R515	119-1051-15	1/10W 1M ohm	R555	116-3911-15	1/4W 390 ohm	R588	119-3341-15	1/10W 330k ohm
R516	119-1051-15	1/10W 1M ohm	R556	119-1521-15	1/10W 1.5k ohm	R592	119-1021-15	1/10W 1k ohm
R517	119-1051-15	1/10W 1M ohm	R557	116-1221-15	1/4W 1.2k ohm	R593	119-1021-15	1/10W 1k ohm
R518	119-1031-15	1/10W 10k ohm	R558	119-1031-15	1/10W 10k ohm	R4001	119-1021-15	1/10W 1k ohm
R519	119-1031-15	1/10W 10k ohm	R559	116-1221-15	1/4W 1.2k ohm	R4004	119-1021-15	1/10W 1k ohm
R520	119-1031-15	1/10W 10k ohm	R560	119-1031-15	1/10W 10k ohm	R4005	119-1021-15	1/10W 1k ohm
R521	119-1031-15	1/10W 10k ohm	R561	116-1221-15	1/4W 1.2k ohm	SUP101	060-0122-91	DSP-141N-S00B
R522	119-1031-15	1/10W 10k ohm	R562	116-1221-15	1/4W 1.2k ohm	SUP102	060-0122-91	DSP-141N-S00B
R523	119-1031-15	1/10W 10k ohm	R563	119-1031-15	1/10W 10k ohm	T101	060-8106-90	#617DB-2195=P3
R524	119-4731-15	1/10W 47k ohm	R564	119-4721-15	1/10W 4.7k ohm	TC401	004-1580-10	30pF GRN
R525	119-0000-05	1/10W 0 ohm JW	R565	119-1521-15	1/10W 1.5k ohm	TH101	002-0229-00	PTH8L05BAIR8M1B
R527	032-0148-63	1/10W 130k ohm D	R566	119-1031-15	1/10W 10k ohm	TM101	073-0762-90	TERMINAL
R528	032-0148-64	1/10W 390k ohm D	R567	032-0148-50	1/10W 100k ohm D	TM502	073-0762-90	TERMINAL
R530	119-1031-15	1/10W 10k ohm	R568	032-0140-16	1/10W 180k ohm F	TM503	073-0768-90	TERMINAL
R532	119-1031-15	1/10W 10k ohm	R570	119-0000-05	1/10W 0 ohm JW	X301	061-3537-90	41.6MHz
R533	119-1841-15	1/10W 180k ohm	R571	119-0000-05	1/10W 0 ohm JW	X401	061-3567-90	8.000MHz AT-41CD2
R534	119-1031-15	1/10W 10k ohm	R572	032-0208-51	1/4W 15k ohm	PWB	039-3392-00	PWB(WITHOUT COMPONENTS)
R535	116-6811-15	1/4W 680 ohm	R573	119-2221-15	1/10W 2.2k ohm			

### Switch PWB(B2) section

REF No.	PART No.	DESCRIPTION	REF No.	PART No.	DESCRIPTION	REF No.	PART No.	DESCRIPTION
C601	043-0554-90	25V 10uF	D635	001-7109-90	SML-311DTT86 ORG	R611	116-2221-15	1/4W 2.2k ohm
C602	043-0554-90	25V 10uF	D636	001-7109-90	SML-311DTT86 ORG	R612	116-2221-15	1/4W 2.2k ohm
C603	168-1042-78	16V 0.1uF K	D637	001-7109-90	SML-311DTT86 ORG	R613	116-2221-15	1/4W 2.2k ohm
C604	043-0554-90	25V 10uF	D638	001-7109-90	SML-311DTT86 ORG	R614	116-2221-15	1/4W 2.2k ohm
C605	168-1042-78	16V 0.1uF K	D639	001-7109-90	SML-311DTT86 ORG	R615	116-1021-15	1/4W 1k ohm
D601	001-9210-50	AVR-M1608C270M TAAD	D640	001-7109-90	SML-311DTT86 ORG	R616	116-2221-15	1/4W 2.2k ohm
D602	001-9210-50	AVR-M1608C270M TAAD	D641	001-7109-90	SML-311DTT86 ORG	R617	116-1021-15	1/4W 1k ohm
D603	001-9210-50	AVR-M1608C270M TAAD	D642	001-7109-90	SML-311DTT86 ORG	R618	116-2221-15	1/4W 2.2k ohm
D604	001-4320-50	EDZC6.8B	D643	001-7109-90	SML-311DTT86 ORG	R619	116-1021-15	1/4W 1k ohm
D605	001-7109-90	SML-311DTT86 ORG	D644	001-7109-90	SML-311DTT86 ORG	R620	116-2221-15	1/4W 2.2k ohm
D606	001-7109-90	SML-311DTT86 ORG	D645	001-7109-90	SML-311DTT86 ORG	R621	116-1021-15	1/4W 1k ohm
D607	001-7109-90	SML-311DTT86 ORG	D662	001-9210-50	AVR-M1608C270M TAAD	R622	116-1821-15	1/4W 1.8k ohm
D610	001-7109-90	SML-311DTT86 ORG	D663	001-9210-50	AVR-M1608C270M TAAD	R623	116-1021-15	1/4W 1k ohm
D611	001-7109-90	SML-311DTT86 ORG	D664	001-9210-50	AVR-M1608C270M TAAD	R624	116-1821-15	1/4W 1.8k ohm
D612	001-7109-90	SML-311DTT86 ORG	D665	001-9210-50	AVR-M1608C270M TAAD	R625	116-1021-15	1/4W 1k ohm
D613	001-7109-90	SML-311DTT86 ORG	D666	001-9210-50	AVR-M1608C270M TAAD	R626	116-1821-15	1/4W 1.8k ohm
D614	001-7109-90	SML-311DTT86 ORG	D667	001-9210-50	AVR-M1608C270M TAAD	R627	116-2221-15	1/4W 2.2k ohm
D615	001-7109-90	SML-311DTT86 ORG	D668	001-9210-50	AVR-M1608C270M TAAD	R628	116-2721-15	1/4W 2.7k ohm
D616	001-7109-90	SML-311DTT86 ORG	D669	001-9210-50	AVR-M1608C270M TAAD	R629	116-2221-15	1/4W 2.2k ohm
D617	001-7109-90	SML-311DTT86 ORG	IC601	051-6057-00	ML9090A-01GA	R630	116-2221-15	1/4W 2.2k ohm
D618	001-7109-90	SML-311DTT86 ORG	J601	074-3033-26	26P	R631	116-2221-15	1/4W 2.2k ohm
D619	001-7109-90	SML-311DTT86 ORG	J602	075-0395-01	JACK	R632	116-2221-15	1/4W 2.2k ohm
D620	001-7109-90	SML-311DTT86 ORG	Q601	190-1162-00	2SA1162	R633	116-2221-15	1/4W 2.2k ohm
D621	001-7109-90	SML-311DTT86 ORG	Q602	192-2712-51	2SC2712 G,L	R634	116-2221-15	1/4W 2.2k ohm
D622	001-7109-90	SML-311DTT86 ORG	R601	032-0140-00	1/10W 56k ohm F	R635	119-0000-05	1/10W 0 ohm JW
D623	001-7109-90	SML-311DTT86 ORG	R602	119-4731-15	1/10W 47k ohm	R637	119-0000-05	1/10W 0 ohm JW
D624	001-7109-90	SML-311DTT86 ORG	R604	032-0140-53	1/10W 2.2k ohm F	R638	116-1821-15	1/4W 1.8k ohm
D625	001-7109-90	SML-311DTT86 ORG	R605	032-0140-53	1/10W 2.2k ohm F	R639	119-2221-15	1/10W 2.2k ohm
D626	001-7109-90	SML-311DTT86 ORG	R606	116-1821-15	1/4W 1.8k ohm	S601	016-7004-00	ROTARY SWITCH
D627	001-7109-90	SML-311DTT86 ORG	R607	119-4731-15	1/10W 47k ohm	S602	013-6201-53	SKPMAPE010
D628	001-7109-90	SML-311DTT86 ORG	R608	116-2221-15	1/4W 2.2k ohm	S603	013-6202-52	SKPMBJE010
D629	001-7109-90	SML-311DTT86 ORG	R609	116-2721-15	1/4W 2.7k ohm	S604	013-6202-52	SKPMBJE010
D630	001-7109-90	SML-311DTT86 ORG				S605	013-6202-52	SKPMBJE010
D631	001-7109-90	SML-311DTT86 ORG				S606	013-6202-52	SKPMBJE010
D632	001-7109-90	SML-311DTT86 ORG				TM601	073-0778-90	TERMINAL
D633	001-7109-90	SML-311DTT86 ORG				TM602	073-0778-90	TERMINAL
D634	001-7109-90	SML-311DTT86 ORG				TM603	073-0778-90	TERMINAL
						PWB	039-3349-01	PWB(WITHOUT COMPONENTS)

# EXPLODED VIEW/PARTS LIST



NO.	PART NO.	DESCRIPTION	Q'TY	NO.	PART NO.	DESCRIPTION	Q'TY
1	-----	SENSOR PWB	1	40	621-1751-20	POWER GEAR D	1
2	-----	CD PWB	1	41	621-1752-20	DISC STOPPER	1
3	SMA-182-100	SPINDLE MOTOR-ASSY	1	42	621-1753-20	CLAMPER RING	1
4	SMA-183-100	SLED MOTOR-ASSY	1	43	621-1754-20	GEAR BASE	1
5	345-5476-20	CUSHION RUBBER	1	44	622-1571-21	ROLLER SHAFT	1
6	620-1023-23	CLAMPER PLATE	1	45	624-3059-00	LEAD SCREW	1
7	620-1026-21	SPRING PLATE	1	46	629-0086-20	DAMPER F	2
8	620-1596-23	CLAMPER LINK	1	47	629-0087-20	DAMPER R	1
9	620-1862-20	UPPER CHASSIS	1	48	716-1507-01	SCREW(M2x3)	3
10	620-1752-20	SENSOR ARM	1	49	716-1670-01	SCREW(M2x4)	4
11	620-1753-20	ID-LOCK PLATE	1	50	716-1733-01	SCREW(M1.7x2.3)	2
12	620-1868-20	LOWER CHASSIS	1	51	716-3469-01	SCREW(1.7x4)	2
13	621-0608-21	SECOND GEAR	1	52	716-3473-01	SCREW(M2x3)	1
14	621-0609-20	BASE GEAR	1	53	716-3551-00	SCREW(M1.4x2.5)	2
15	621-0610-20	IDLE GEAR A	1	54	750-7865-20	SHIFT SPRING	1
16	621-0611-20	IDLE GEAR B	1	55	750-7866-20	RACK SPRING	1
17	621-0612-21	ROLLER GEAR A	1	56	750-7867-20	CLAMPER SPRING	1
18	621-0620-20	THREAD GEAR A	1	57	750-7868-20	ID-LOCK SPRING	1
19	621-0621-20	THREAD GEAR B	1	58	750-7869-20	SENSOR SPRING	1
20	621-0623-23	LS-HOLDER	1	59	750-7870-20	DR-SPRING F	2
21	621-0624-22	GUIDE RAIL	1	60	750-7871-20	DR-SPRING RA	1
22	621-0711-21	LOADING ROLLER	2	61	750-7872-20	DR-SPRING RB	1
23	621-0718-21	ROLLER GUIDE	1	62	750-7873-20	DR-SPRING C	1
24	621-0719-20	ROLLER GEAR B	1	63	750-6797-20	ROLLER SPRING L	1
25	621-0720-20	ROLLER GEAR C	1	64	750-6798-20	ROLLER SPRING R	1
26	621-0721-20	ROLLER GEAR D	1	65	714-2003-8B	SCREW(M2x3)	2
27	621-0728-20	STOPPER LINK	1	66	780-2025-00	SCREW(M2x2.5)	3
28	621-1719-20	IDLE CASE	1	67	781-1730-00	SCREW(M1.7x3)	1
29	621-1726-20	ROLLER SLEEVE	2	68	803-4906-60	VINYL-COAT-WIRE(ORG)	1
30	621-1729-20	SH-BASE	1	69	816-2542-01	FLAT WIRE	1
31	621-1742-20	UPPER GUIDE	1	70	816-2590-00	VINYL-COAT-WIRE(GRN)	1
32	621-1743-20	SHIFT LEVER	1	71	816-2591-00	VINYL-COAT-WIRE(YEL)	1
33	621-1744-20	RACK	1	72	816-2592-00	VINYL-COAT-WIRE(BLUE)	1
34	621-1745-20	LOCK ARM L	1	73	816-2593-00	VINYL-COAT-WIRE(PUR)	1
35	621-1746-20	LOCK ARM R	1	74	966-1722-20	SH-RACK-ASSY	1
36	621-1747-20	GEAR COVER	1	75	620-1866-20	DRIVE-PLATE	1
37	621-1748-20	POWER GEAR A	1	76	969-0075-30	PICKUP-ASSY	1
38	621-1749-20	POWER GEAR B	1	77	622-1570-21	DAMPER PIN	3
39	621-1750-20	POWER GEAR C	1				

# ELECTRICAL PARTS LIST

## CD PWB(BM1) section

REF No.	PART No.	DESCRIPTION	REF No.	PART No.	DESCRIPTION	REF No.	PART No.	DESCRIPTION
C2	178-1052-78	1uF	C60	168-1042-78	16V 0.1uF	R19	119-0000-05	1/10W 0 ohm JW
C3	042-0627-90	16V 100uF	C63	168-1042-78	16V 0.1uF	R20	119-0000-05	1/10 0ohm JW
C4	168-1042-78	16V 0.1uF	C68	168-1042-78	16V 0.1uF	R22	119-2231-15	1/10W 22k ohm
C6	178-1052-78	1uF	C69	042-1710-90	6.3V 100uF	R23	119-0000-05	1/10 0ohm JW
C7	042-0560-85	6.3V 100uF	C74	042-1709-90	6.3V 47uF	R25	119-1041-15	1/10W 100k ohm
C8	178-1052-78	1uF	C75	168-1042-78	16V 0.1uF	R26	119-0000-05	1/10W 0 ohm JW
C9	166-4711-50	470pF CH	C77	168-1042-78	16V 0.1uF	R27	119-4731-15	1/10W 47k ohm
C10	168-4732-78	0.047uF K	C78	168-1022-55	1000pF K	R29	119-5621-15	1/10W 5.6k ohm
C11	166-4711-50	470pF CH	C79	168-1022-55	1000pF K	R30	119-2231-15	1/10W 22k ohm
C12	168-4732-78	0.047uF K	C80	042-0423-20	10V-10uF	R31	119-4731-15	1/10W 47k ohm
C14	168-1042-78	16V 0.1uF	D1	001-1305-90	DAN217UT106	R32	119-3341-15	1/10W 330k ohm
C15	166-1007-50	10pF CH	IC1	051-6733-30	TC94A73MFG-201	R33	119-1041-15	1/10W 100k ohm
C16	166-1007-50	10pF CH	IC2	051-6079-80	BA5830FM-E2	R34	119-1041-15	1/10W 100k ohm
C17	168-1042-78	16V 0.1uF	IC3	051-3395-90	NJU7780U1-15-TES	R35	119-1041-15	1/10W 100k ohm
C18	168-2222-55	2200pF K	J1	074-1138-65	SOCKET (15P)	R36	119-1011-15	1/10W 100 ohm
C19	168-1042-78	16V 0.1uF	J2	074-1138-60	SOCKET (10P)	R38	119-1041-15	1/10W 100k ohm
C20	168-1042-78	16V 0.1uF	J3	074-1205-88	SOCKET (38P)	R39	119-0000-05	1/10W 0 ohm JW
C22	168-6822-55	6800pF K	L1	119-0000-05	1/10 0ohm JW	R41	119-4721-15	1/10W 4.7k ohm
C24	168-3332-78	0.033uF K	L2	119-0000-05	1/10 0ohm JW	R42	119-4721-15	1/10W 4.7k ohm
C25	168-3332-78	0.033uF K	L3	119-0000-05	1/10 0ohm JW	R45	119-1031-15	1/10W 10k ohm
C26	043-0570-90	16V 2.2uF K	L4	010-3104-50	30ohm/100MHZ	R46	119-4731-15	1/10W 47k ohm
C28	168-1042-78	16V 0.1uF	L5	010-3406-26	0.01uH	R47	119-4731-15	1/10W 47k ohm
C29	168-1042-78	16V 0.1uF	Q1	131-1188-50	2SB1188 Q,R	R48	119-1031-15	1/10W 10k ohm
C30	168-1042-78	16V 0.1uF	Q2	198-3018-00	2SK3018	R49	119-1031-15	1/10W 10k ohm
C31	168-1042-78	16V 0.1uF	Q3	198-3018-00	2SK3018	R50	119-2211-15	1/10W 220 ohm
C33	168-1042-78	16V 0.1uF	Q4	192-4155-51	2SC4155A S,T	R51	119-1031-15	1/10W 10k ohm
C34	168-1042-78	16V 0.1uF	Q5	198-3018-00	2SK3018	R52	119-1031-15	1/10W 10k ohm
C35	168-5622-55	5600pF K	Q6	192-4155-51	2SC4155A S,T	R53	119-2211-15	1/10W 220 ohm
C36	168-1042-78	16V 0.1uF	Q7	198-3018-00	2SK3018	R54	119-3331-15	1/10W 33k ohm
C37	168-5622-55	5600pF K	Q8	198-3018-00	2SK3018	R55	119-4721-15	1/10W 4.7k ohm
C38	166-6801-50	68pF	R1	119-2211-15	1/10W 220 ohm	R56	119-3331-15	1/10W 33k ohm
C39	168-1042-78	16V 0.1uF	R2	117-6811-15	1/8W 680 ohm	R57	119-4721-15	1/10W 4.7k ohm
C40	168-1532-55	0.015uF K	R3	117-0000-05	1/8W 0 ohm JW	R58	119-3331-15	1/10W 33k ohm
C41	168-1042-78	16V 0.1uF	R4	119-1001-15	1/10W 10 ohm	R59	119-4721-15	1/10W 4.7k ohm
C42	168-1032-55	0.01uF K	R5	119-2731-15	1/10W 27k ohm	R60	119-3331-15	1/10W 33k ohm
C43	168-1042-78	16V 0.1uF	R6	119-2731-15	1/10W 27k ohm	R61	119-4721-15	1/10W 4.7k ohm
C44	168-1042-78	16V 0.1uF	R7	119-2221-15	1/10W 2.2k ohm	R62	119-3331-15	1/10W 33k ohm
C46	168-1522-55	1500pF K	R8	119-2731-15	1/10W 27k ohm	R63	119-4721-15	1/10W 4.7k ohm
C47	168-3322-55	3300pF K	R9	119-2731-15	1/10W 27k ohm	R64	119-1051-15	1/10W 1M ohm
C48	168-1032-55	0.01uF K	R10	119-1051-15	1/10W 1M ohm	R65	119-4701-15	1/10W 47 ohm
C49	168-1042-78	16V 0.1uF	R11	119-2211-15	1/10W 220 ohm	R66	119-1051-15	1/10W 1M ohm
C54	168-1532-55	0.015uF K	R13	119-8231-15	1/10W 82k ohm	R67	119-0000-05	1/10W 0 ohm JW
C55	168-1042-78	16V 0.1uF	R14	119-1531-15	1/10W 15k ohm	TM1	073-0768-90	TERMINAL
C56	168-1042-78	16V 0.1uF	R15	119-8231-15	1/10W 82k ohm	X1	061-3534-90	16.92MHz
C58	166-6097-50	6pF CH	R16	119-4731-15	1/10W 47k ohm	PWB	039-3205-01	PWB(WITHOUT COMPONENTS)
C59	166-4701-50	47pF CH	R17	119-0000-05	1/10 0ohm JW			

## SENSOR PWB(BM2) section

REF No.	PART No.	DESCRIPTION	REF No.	PART No.	DESCRIPTION	REF No.	PART No.	DESCRIPTION
D1	001-7058-90	AN1105W-RR	Q1	060-4015-91	PS1192HB-32-TR	S2	013-7413-50	LIMIT
D2	001-7058-90	AN1105W-RR	Q2	060-4015-91	PS1192HB-32-TR	PWB	039-1944-21	PWB(WITHOUT COMPONENTS)
J1	074-1138-60	10P	S1	013-7414-50	CHUCKING			

## BLOCK DIAGRAM

