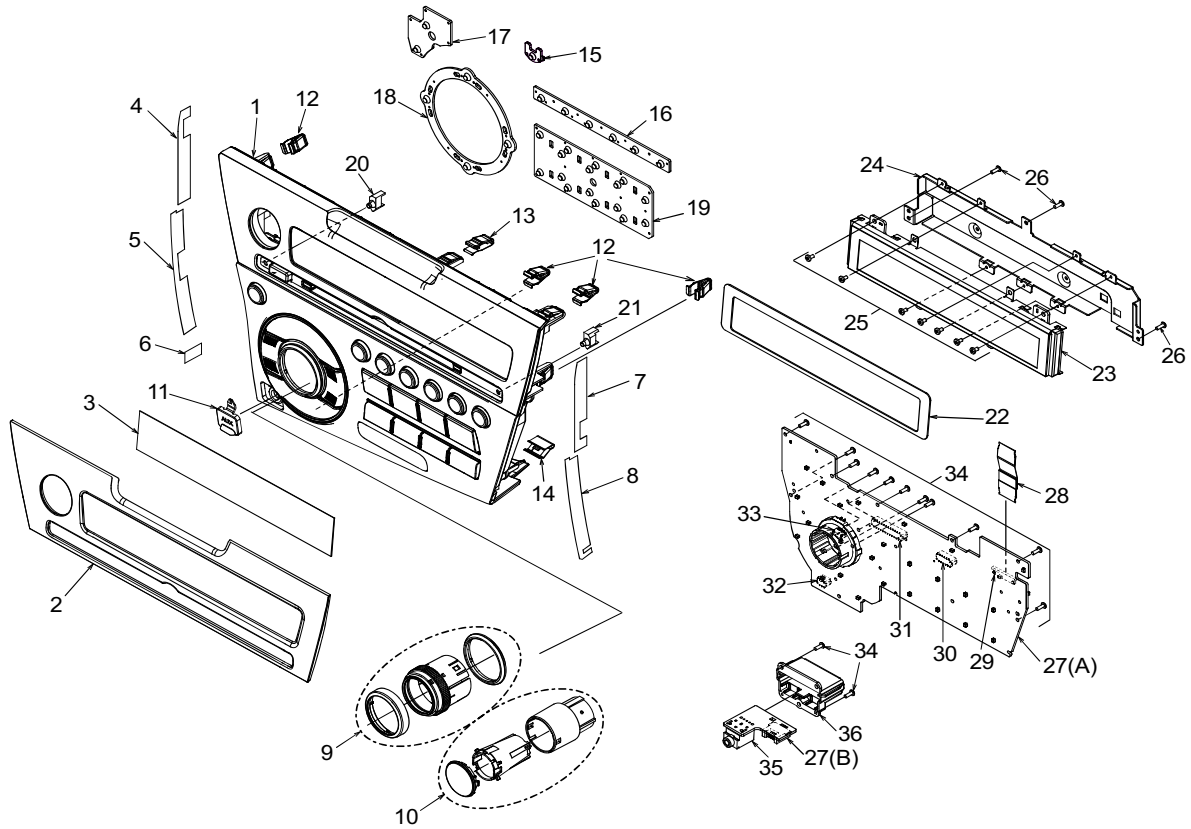


pin 95: AUX DET :IN: AUX detection signal input. L = detection.
 pin 96: HFT icon 2 :IN: HFT active mark ON signal input. Active Low
 pin 97: HFT MUTE :IN: HFT level-detection for mute. H = detection.

pin 98: HFT icon 1 :IN: HFT active mark ON signal input.Active Low
 pin 99: TEL MUTE :IN: Telephone mute command input. H = detection.
 pin100: ST REMO :IN: Steering wheel remote control detection.

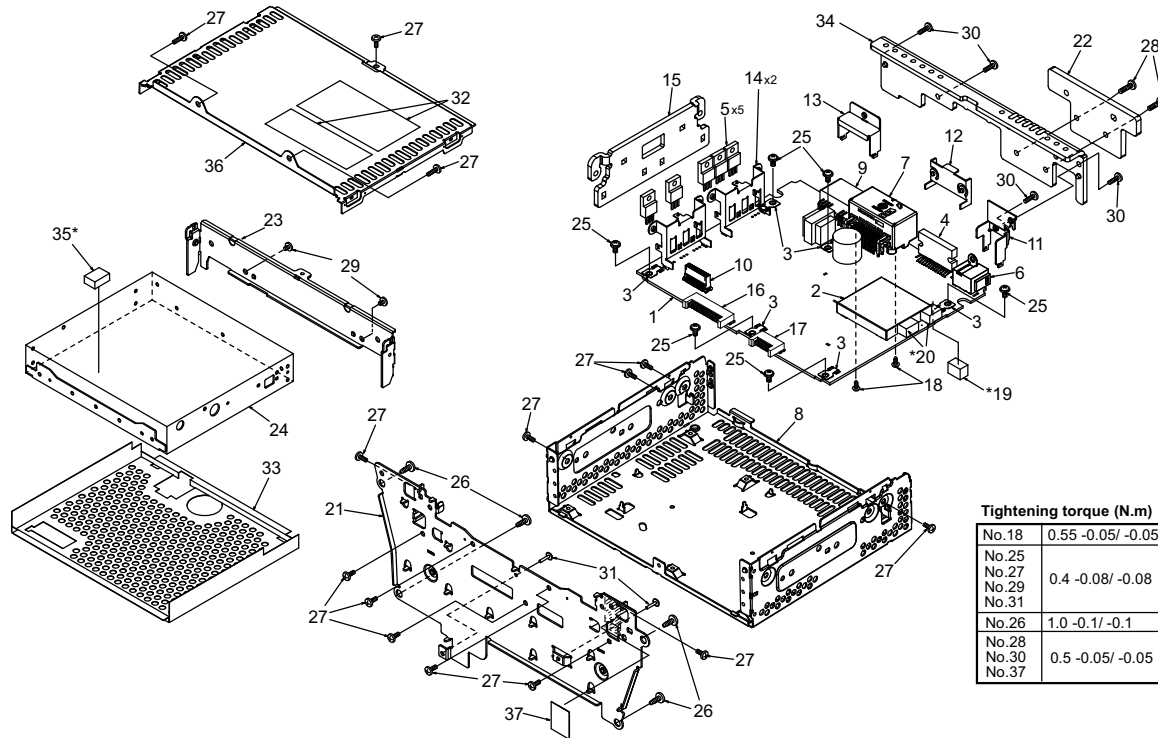
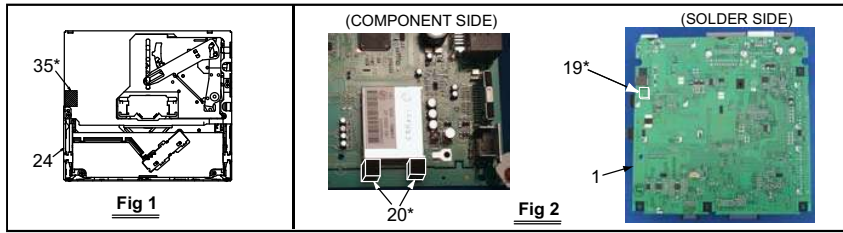
EXPLODED VIEW / PARTS LIST

Escutcheon section



NO.	PART NO.	DESCRIPTION	Q'TY	NO.	PART NO.	DESCRIPTION	Q'TY
1	940-8480-02	ESCUTCHEON-ASSY	1	19	345-6405-01	RUBBER SWTCH (FUNCTION)	1
2	373-1216-00	DIAL-COVER	1	20	335-8763-00	INDICATOR (A)	1
3	347-8771-00	CLEAR-SHEET	1	21	335-8764-00	INDICATOR (B)	1
4	347-8827-00	CUSHION	1	22	345-6417-00	CUSION SHEET	1
5	347-8828-00	CUSHION	1	23	379-1442-00	INDICATOR (LCD)	1
6	347-8774-00	CUSHION SHEET	1	24	331-4895-00	LCD PLATE	1
7	347-8829-00	CUSHION	1	25	716-1670-01	TAP SCREW (M2x4)	7
8	347-8830-00	CUSHION SHEET	1	26	716-3615-00	TAP SCREW (M2x8)	3
9	948-0905-00	KNOB-ASSY	1	27	-----	Switch PWB	1
10	948-0904-00	KNOB-ASSY (VOL)	1	28	816-3047-55	FLAT WIRE	1
11	335-8784-00	AUX CAP	1	29	074-2228-26	SOCKET (26P)	1
12	335-7317-00	CLIP (WHITE)	4	30	074-3014-62	SOCKET (12P)	1
13	335-8461-00	CLIP (RED)	1	31	074-3014-76	SOCKET (26P)	1
14	750-6805-00	CLIP (BLACK)	1	32	074-3014-56	SOCKET (6P)	1
15	345-6406-01	RUBBER SWTCH (VOL)	1	33	076-6000-56	PLUG (6P)	1
16	345-6402-02	RUBBER SWTCH (PRESET)	1	34	716-0778-51	WAVE SCREW (M2x6)	13
17	345-6403-02	RUBBER SWTCH (PWR)	1	35	075-0306-00	JACK	1
18	345-6404-02	RUBBER SWTCH (MULTI)	1	36	335-8775-00	AUX-CVR	1

Main section



Note)Some parts depend on a each model.The model name is specified in the description
 3240HA : PH-3240H-A , 3308HA : PH-3308H-A

NO.	PART NO.	DESCRIPTION	Q'TY	NO.	PART NO.	DESCRIPTION	Q'TY
1	-----	Main PWB	1	20	345-8581-03	GASKET	2
2	880-2091G	TUNER PACK	1	21	331-4894-00	ES PLATE	1
3	073-0762-90	TERMINAL	6	22	313-2057-00	HEAT SINK (B)	1
4	051-2042-00	IC (TA8275HQ)	1	23	331-4695-01	MECH BRKT	1
5	103-2394-00	TRANSISTOR (2SD2394)	5	24	929-5025-80	DIGITAL MECH	1
6	092-2238-00	ANT-RECEPT	1	25	716-0878-50	MACHINE SCREW (M2.6x5)	6
7	074-4026-24	SOCKET (24P)	1	26	778-4008-01	TAP SCREW (M4x8)	4
8	311-1943-10	LOWER CASE	1	27	714-2606-8B	MACHINE SCREW (M2.6x6)	14
9	074-1168-14	SOCKET (14P)	1	28	780-2616-01	MACHINE SCREW (M2.6x16)	2
10	076-3028-40	PLUG (40P)	1	29	714-2603-8B	MACHINE SCREW (M2.6x3)	2
11	331-4697-01	ANT-HOLDER	1	30	714-2608-89	MACHINE SCREW (M2.6x8)	4
12	331-3459-00	IC HOLDER	1	31	716-3615-00	SP SCREW (M2x8)	2
13	331-3769-00	OUTLET HOLDER	1	32	276-0678-09 276-0678-11	SETPLATE(3240HA) SETPLATE(3308HA)	1 1
14	331-4066-00	TR HOLDER	2	33	347-8550-10	MECH CVR	1
15	313-2017-00	SUB HEAT SINK	1	34	313-2056-10	HEAT SINK (A)	1
16	076-3011-76	PLUG (26P)	1	35	345-6066-01	GASKET	1
17	076-3011-62	PLUG (12P)	1	36	310-1891-00	UPPER CASE	1
18	778-3005-00	TAP SCREW (M3x5)	2	37	347-8847-00	SPACER	1
19	345-6341-00	GASKET	1				

PH-3240H
 PH-3308H

ELECTRICAL PARTS LIST

Main PWB(B1) section

REF No.	PART No.	DESCRIPTION	REF No.	PART No.	DESCRIPTION	REF No.	PART No.	DESCRIPTION
ANT101	092-2238-00	ANT-RECEPT	C313	042-1737-90	6.3V 1000uF M	C472	168-2222-55	2200pF K
BL101	880-2091G	TUNER PACK	C316	166-8096-50	8pF +/-0.25pF CH	C473	168-2222-55	2200pF K
C102	168-1032-55	0.01uF K	C317	168-1042-78	16V 0.1uF K	C474	165-2263-15	6.3V 22uF
C103	166-1511-50	150pF CH	C319	165-1063-35	16V 10uF	C475	168-1022-55	1000pF K
C104	166-2201-50	22pF CH	C320	168-1032-55	0.01uF K	C476	168-1042-78	16V 0.1uF K
C105	168-1032-55	0.01uF K	C323	168-1032-55	0.01uF K	C477	042-1767-90	16V 470uF
C106	166-1011-50	100pF CH	C371	168-1022-55	1000pF K	C478	168-1042-78	16V 0.1uF K
C107	043-0319-51	200pF J CH	C401	165-2253-65	50V 2.2uF	C479	042-2273-25	10V 220uF M
C109	168-1022-55	1000pF K	C402	165-2253-65	50V 2.2uF	C480	168-1042-78	16V 0.1uF K
C110	165-1073-35	16V 100uF	C403	165-2253-65	50V 2.2uF	C481	168-1022-55	1000pF K
C111	168-1022-55	1000pF K	C404	165-2253-65	50V 2.2uF	C505	165-2263-15	6.3V 22uF
C112	165-1073-35	16V 100uF	C405	165-2253-65	50V 2.2uF	C506	165-2263-15	6.3V 22uF
C114	168-1032-55	0.01uF K	C406	165-2253-65	50V 2.2uF	C507	165-2263-15	6.3V 22uF
C115	168-1022-55	1000pF K	C407	165-2253-65	50V 2.2uF	C508	165-2263-15	6.3V 22uF
C117	168-1022-55	1000pF K	C408	165-2253-65	50V 2.2uF	C509	165-2253-65	50V 2.2uF
C118	168-1022-55	1000pF K	C409	165-4753-55	35V 4.7uF	C510	165-2253-65	50V 2.2uF
C119	168-1022-55	1000pF K	C410	168-1042-78	16V 0.1uF K	C511	165-2253-65	50V 2.2uF
C120	168-1022-55	1000pF K	C411	166-1811-50	180pF CH	C512	165-2253-65	50V 2.2uF
C121	168-1022-55	1000pF K	C412	166-1007-50	10pF CH	C513	166-5611-50	560pF CH
C123	165-4763-35	16V 47uF	C413	166-1007-50	10pF CH	C514	166-5611-50	560pF CH
C124	168-1032-55	0.01uF K	C414	168-1022-55	1000pF K	C515	166-5611-50	560pF CH
C125	165-1063-35	16V 10uF	C415	166-1511-50	150pF CH	C516	166-5611-50	560pF CH
C126	168-1042-78	16V 0.1uF K	C416	166-1511-50	150pF CH	C517	166-5611-50	560pF CH
C127	165-1073-15	6.3V 100uF	C417	166-1511-50	150pF CH	C518	166-5611-50	560pF CH
C128	168-1042-78	16V 0.1uF K	C418	166-1511-50	150pF CH	C519	166-1011-50	100pF CH
C129	043-0554-90	25V 10uF	C419	166-1511-50	150pF CH	C520	166-1011-50	100pF CH
C130	168-3332-78	0.033uF K	C420	166-1511-50	150pF CH	C521	166-2201-50	22pF CH
C131	165-1073-15	6.3V 100uF	C421	166-1511-50	150pF CH	C522	166-2201-50	22pF CH
C132	168-1042-78	16V 0.1uF K	C422	166-1511-50	150pF CH	C523	166-2201-50	22pF CH
C133	168-1022-55	1000pF K	C423	165-4753-55	35V 4.7uF	C524	166-2201-50	22pF CH
C135	043-0554-90	25V 10uF	C424	168-1042-78	16V 0.1uF K	C525	166-1011-50	100pF CH
C137	168-1042-78	16V 0.1uF K	C425	165-4753-55	35V 4.7uF	C526	166-1011-50	100pF CH
C138	168-1042-78	16V 0.1uF K	C426	168-1042-78	16V 0.1uF K	C527	166-5611-50	560pF CH
C139	042-1767-90	16V 470uF	C427	168-1022-55	1000pF K	C528	166-5611-50	560pF CH
C140	043-0499-51	50V 0.1uF J	C428	168-1022-55	1000pF K	C529	166-5611-50	560pF CH
C141	166-1011-50	100pF CH	C429	166-1011-50	100pF CH	C530	166-5611-50	560pF CH
C142	168-4742-78	0.47uF K	C430	168-1042-78	16V 0.1uF K	C531	166-5611-50	560pF CH
C201	178-1022-78	1000pF	C431	168-1042-78	16V 0.1uF K	C532	166-5611-50	560pF CH
C202	178-1022-78	1000pF	C432	168-1042-78	16V 0.1uF K	C533	168-1042-78	16V 0.1uF K
C206	168-1032-55	0.01uF K	C433	168-5622-55	5600pF K	C534	165-1073-35	16V 100uF
C209	168-1042-78	16V 0.1uF K	C434	168-5622-55	5600pF K	C535	165-2263-15	6.3V 22uF
C213	166-1011-50	100pF CH	C435	165-4753-55	35V 4.7uF	C538	168-5612-55	560pF Z
C219	168-1042-78	16V 0.1uF K	C436	168-1042-78	16V 0.1uF K	C541	168-1545-56	0.15uF Z
C227	165-1073-15	6.3V 100uF	C437	168-2232-55	0.022uF K	C542	168-1545-56	0.15uF Z
C228	043-0554-90	25V 10uF	C438	165-1073-15	6.3V 100uF	C543	168-1545-56	0.15uF Z
C229	168-1042-78	16V 0.1uF K	C439	168-1042-78	16V 0.1uF K	C544	168-1545-56	0.15uF Z
C231	165-1073-15	6.3V 100uF	C440	043-0554-90	25V 10uF	C545	165-1063-35	16V 10uF
C232	165-4763-15	6.3V 47uF	C441	168-1042-78	16V 0.1uF K	C546	043-0499-51	50V 0.1uF J
C233	168-1042-78	16V 0.1uF K	C442	168-4732-78	0.047uF K	C548	168-2222-55	2200pF K
C234	165-4763-15	6.3V 47uF	C443	043-0504-50	10V 4.7uF	C549	168-2222-55	2200pF K
C235	168-1042-78	16V 0.1uF K	C444	165-2263-15	6.3V 22uF	C550	168-2222-55	2200pF K
C236	043-0554-90	25V 10uF	C445	168-1042-78	16V 0.1uF K	C551	168-2222-55	2200pF K
C237	043-0554-90	25V 10uF	C446	168-1042-78	16V 0.1uF K	C552	168-1032-55	0.01uF K
C238	168-1042-78	16V 0.1uF K	C447	168-1022-55	1000pF K	C553	172-4741-11	0.47uF
C239	168-1042-78	16V 0.1uF K	C448	165-4763-15	6.3V 47uF	C554	168-2222-55	2200pF K
C240	168-1042-78	16V 0.1uF K	C449	168-2232-55	0.022uF K	C555	168-2222-55	2200pF K
C241	042-1767-90	16V 470uF	C450	165-1063-35	16V 10uF	C556	165-3353-65	50V 3.3uF
C242	042-1768-90	16V 10uF	C451	178-1052-78	25V 1uF	C557	168-2222-55	2200pF K
C243	168-1022-55	1000pF K	C452	168-1042-78	16V 0.1uF K	C558	168-2222-55	2200pF K
C291	168-2222-55	2200pF K	C453	168-1042-78	16V 0.1uF K	C559	168-2222-55	2200pF K
C301	166-1011-50	100pF CH	C454	168-3332-78	0.033uF K	C560	168-2222-55	2200pF K
C302	178-1052-78	25V 1uF	C457	168-3322-55	3300pF K	C561	168-2222-55	2200pF K
C304	168-1032-55	0.01uF K	C458	168-3322-55	3300pF K	C562	168-2222-55	2200pF K
C305	168-1022-55	1000pF K	C459	178-1052-78	25V 1uF	C563	043-0499-51	50V 0.1uF J
C306	168-1042-78	16V 0.1uF K	C460	168-2222-55	2200pF K	C564	189-3383-31	16V 3300uF
C307	165-4753-55	35V 4.7uF	C461	168-2222-55	2200pF K	C1301	165-1043-65	50V 0.1uF
C308	168-1022-55	1000pF K	C463	168-1042-78	16V 0.1uF K	C3000	168-1042-78	16V 0.1uF K
C309	168-1022-55	1000pF K	C464	168-1042-78	16V 0.1uF K	C3001	168-1042-78	16V 0.1uF K
C310	168-1042-78	16V 0.1uF K	C465	168-2232-55	0.022uF K	CCT3000	050-0140-54	1/32W 1k ohm x4J
C311	042-1737-90	6.3V 1000uF M	C467	168-2232-55	0.022uF K	CCT3001	050-0140-53	1/32W 0 ohm x4J
C312	165-4753-55	35V 4.7uF	C468	168-4712-55	470pF K	CCT3002	050-0140-53	1/32W 0 ohm x4J

Note) Some parts depend on each model. The model name is specified in the description
3240HA : PH-3240H-A, 3308HA : PH-3308H-A.

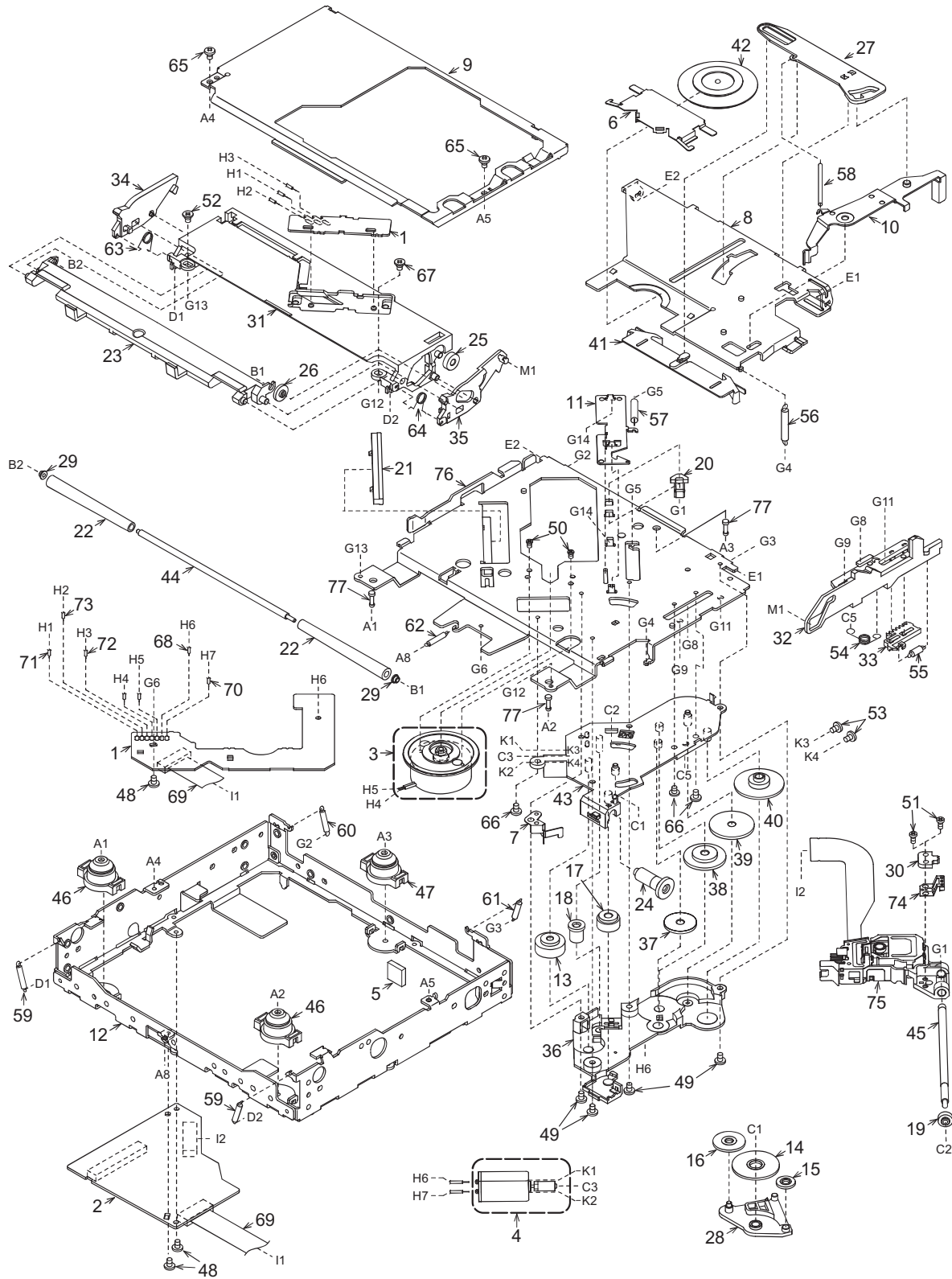
REF No.	PART No.	DESCRIPTION	REF No.	PART No.	DESCRIPTION	REF No.	PART No.	DESCRIPTION
D101	001-2403-90	M1F60	L411	010-3105-62	1k ohm/100MHz	R128	119-1011-15	1/10W 100 ohm
D102	001-2403-90	M1F60	L412	010-3105-62	1k ohm/100MHz	R129	119-1011-15	1/10W 100 ohm
D103	001-0516-90	MA111	L413	010-3105-62	1k ohm/100MHz	R130	119-1011-15	1/10W 100 ohm
D104	001-0529-47	MA8091-M	L414	010-3105-62	1k ohm/100MHz	R131	116-5691-15	1/4W 5.6 ohm
D106	001-0516-90	MA111	L415	010-2198-51	0.22uH	R132	119-1011-15	1/10W 100 ohm
D107	001-0529-28	MA8051-L	L416	010-3105-62	1k ohm/100MHz	R134	117-2721-15	1/8W 2.7k ohm
D108	001-0529-47	MA8091-M	L2001	010-3406-66	22uH J	R135	116-0000-05	1/4W 0 ohm JW
D109	001-0529-48	MA8091-H	L3002	010-3105-62	1k ohm/100MHz	R137	119-0000-05	1/10W 0 ohm JW
D111	001-2403-90	M1F60	L5001	010-3105-62	1k ohm/100MHz	R138	119-1031-15	1/10W 10k ohm
D112	001-2403-90	M1F60	P2000	076-3028-40	40P	R140	116-2291-15	1/4W 2.2 ohm
D113	001-2403-90	M1F60	P3000	076-3011-76	26P	R141	116-2291-15	1/4W 2.2 ohm
D201	001-0529-69	MA8180-M	P3001	076-3011-62	12P	R142	116-2221-15	1/4W 2.2k ohm
D202	001-0529-32	MA8056-M	Q101	192-4081-00	2SC4081	R143	116-6811-15	1/4W 680 ohm
D203	001-0529-32	MA8056-M	Q102	192-4081-00	2SC4081	R144	119-3321-15	1/10W 3.3k ohm
D205	001-0535-90	MA729	Q103	125-2027-91	DTC114EUA	R145	119-1031-15	1/10W 10k ohm
D209	001-0516-90	MA111	Q104	190-1736-00	2SA1736	R146	119-1031-15	1/10W 10k ohm
D210	001-0516-90	MA111	Q106	103-2394-00	2SD2394	R147	119-4791-15	1/10W 4.7 ohm
D217	001-0535-90	MA729	Q107	192-5810-00	2SC5810 TE12L	R148	119-1031-15	1/10W 10k ohm
D219	001-0529-45	MA8082-H	Q108	192-4081-00	2SC4081	R149	119-4791-15	1/10W 4.7 ohm
D224	001-9210-50	AVR-M1608C270M TAAD	Q109	125-2027-91	DTC114EUA	R150	116-1221-15	1/4W 1.2k ohm
D301	001-0516-90	MA111	Q110	191-1197-50	2SB1197K Q,R	R151	116-1221-15	1/4W 1.2k ohm
D302	001-0504-42	HZS7 C3L	Q111	192-4081-00	2SC4081	R152	116-1221-15	1/4W 1.2k ohm
D303	001-0529-42	MA8075-H	Q112	103-2394-00	2SD2394	R153	116-1221-15	1/4W 1.2k ohm
D304	001-0516-90	MA111	Q113	125-2027-90	DTC143EU	R154	116-0000-05	1/4W 0 ohm JW
D305	001-0529-48	MA8091-H	Q114	190-1736-00	2SA1736	R155	116-3011-15	1/4W 300 ohm
D501	001-2403-90	M1F60	Q115	125-2027-91	DTC114EUA	R156	116-3011-15	1/4W 300 ohm
D502	001-0592-00	RM4Z	Q116	125-0021-92	DTA124EUA	R157	116-3011-15	1/4W 300 ohm
IC101	051-3354-90	BA33BC0WFP	Q117	192-5810-00	2SC5810 TE12L	R158	116-3011-15	1/4W 300 ohm
IC102	051-3218-90	TA76431F	Q118	192-5810-00	2SC5810 TE12L	R201	116-1211-15	1/4W 120 ohm
IC103	051-3344-90	BD3930FP-E2	Q119	125-2027-91	DTC114EUA	R202	119-1031-15	1/10W 10k ohm
IC202	051-6648-90	HA12240FP-EL	Q120	125-0021-91	DTA114EUA	R203	119-3321-15	1/10W 3.3k ohm
IC203	051-3408-90	BA2903FV	Q121	103-2394-00	2SD2394	R204	116-6801-15	1/4W 68 ohm
IC205	051-3364-90	NJU7771F15	Q122	103-2394-00	2SD2394	R205	116-1011-15	1/4W 100 ohm
IC206	051-3364-90	NJU7771F15	Q123	125-2027-91	DTC114EUA	R206	116-1011-15	1/4W 100 ohm
IC207	051-3543-90	BD33KA5WFP-E2	Q124	125-0021-91	DTA114EUA	R212	119-4721-15	1/10W 4.7k ohm
IC301	051-5423-38	BD5329G-TR	Q125	125-2027-90	DTC143EU	R213	119-4721-15	1/10W 4.7k ohm
IC302	051-9423-90	BR93L86REV-W E2	Q201	192-5810-00	2SC5810 TE12L	R215	032-0209-50	1/4W 82 ohm D
IC303	-----	UPD70F3340GC- 8EA-A	Q210	192-4081-00	2SC4081	R217	032-0140-72	1/10W 470 ohm F
IC304	051-5811-90	L9637D	Q211	103-2394-00	2SD2394	R223	119-5641-15	1/10W 560k ohm
IC401	-----	SAF7730HV/N317F	Q212	125-2027-91	DTC114EUA	R225	119-1021-15	1/10W 1k ohm
IC501	051-3057-90	BA4558RFV	Q213	125-0021-91	DTA114EUA	R226	119-4721-15	1/10W 4.7k ohm
IC502	051-3019-90	NJM2060V	Q301	125-2027-91	DTC114EUA	R229	119-1031-15	1/10W 10k ohm
IC503	051-3019-90	NJM2060V	Q302	125-0021-91	DTA114EUA	R230	119-1031-15	1/10W 10k ohm
IC504	051-2042-00	TA8275H	Q303	192-4081-00	2SC4081	R233	119-3331-15	1/10W 33k ohm
J202	074-1168-14	SOCKET (14P)	Q304	192-4081-00	2SC4081	R234	116-1021-15	1/4W 1k ohm
J501	074-4026-24	SOCKET (24P)	Q306	192-2712-00	2SC2712	R239	119-1031-15	1/10W 10k ohm
L101	010-2003-04	30uH	Q401	125-7005-90	PHK04P02T	R240	119-3331-15	1/10W 33k ohm
L102	010-4011-20	2.5mH +3/-3%	Q501	125-2027-91	DTC114EUA	R241	119-3321-15	1/10W 3.3k ohm
L103	010-3104-50	30 ohm/100MHz	Q502	125-0021-91	DTA114EUA	R242	119-1031-15	1/10W 10k ohm
L104	010-3406-66	22uH J	Q509	125-2027-91	DTC114EUA	R243	119-3321-15	1/10W 3.3k ohm
L106	010-3104-50	30 ohm/100MHz	Q1001	190-1052-03	2SA1052 C	R245	119-3331-15	1/10W 33k ohm
L203	010-2285-51	120 ohm/100MHz	Q1005	192-5810-00	2SC5810 TE12L	R246	119-1031-15	1/10W 10k ohm
L205	010-3104-50	30 ohm/100MHz	R101	119-2221-15	1/10W 2.2k ohm	R248	119-3331-15	1/10W 33k ohm
L206	010-3104-50	30 ohm/100MHz	R102	119-1031-15	1/10W 10k ohm	R250	119-1031-15	1/10W 10k ohm
L207	010-3105-62	1k ohm/100MHz	R104	119-1521-15	1/10W 1.5k ohm	R251	116-3311-15	1/4W 330 ohm
L211	010-3105-62	1k ohm/100MHz	R105	119-1031-15	1/10W 10k ohm	R271	119-4731-15	1/10W 47k ohm
L212	010-3105-62	1k ohm/100MHz	R106	116-1521-15	1/4W 1.5k ohm	R272	119-4731-15	1/10W 47k ohm
L301	010-3105-62	1k ohm/100MHz	R107	119-1031-15	1/10W 10k ohm	R302	119-1031-15	1/10W 10k ohm
L302	010-3406-66	22uH J	R108	116-0000-05	1/4W 0 ohm JW			(3240HA No used)
L303	010-3406-66	22uH J	R109	116-0000-05	1/4W 0 ohm JW	R303	119-1031-15	1/10W 10k ohm
L401	010-3105-62	1k ohm/100MHz	R112	119-4731-15	1/10W 47k ohm			(3308HA No used)
L402	010-3105-62	1k ohm/100MHz	R115	119-1041-15	1/10W 100k ohm	R304	119-1031-15	1/10W 10k ohm
L403	010-3105-62	1k ohm/100MHz	R118	119-0000-05	1/10W 0 ohm JW	R305	119-1041-15	1/10W 100k ohm
L404	010-3105-62	1k ohm/100MHz	R119	117-3921-15	1/8W 3.9k ohm	R309	119-3331-15	1/10W 33k ohm
L405	010-3105-62	1k ohm/100MHz	R120	119-1011-15	1/10W 100 ohm	R310	119-3331-15	1/10W 33k ohm
L406	010-3105-62	1k ohm/100MHz	R121	119-1521-15	1/10W 1.5k ohm	R311	119-3331-15	1/10W 33k ohm
L407	010-3105-62	1k ohm/100MHz	R122	119-6821-15	1/10W 6.8k ohm	R312	119-3331-15	1/10W 33k ohm
L408	010-3105-62	1k ohm/100MHz	R123	119-6821-15	1/10W 6.8k ohm	R317	119-4731-15	1/10W 47k ohm
L409	010-3105-62	1k ohm/100MHz	R124	119-1011-15	1/10W 100 ohm	R319	119-3331-15	1/10W 33k ohm
L410	010-3105-62	1k ohm/100MHz	R125	119-1031-15	1/10W 10k ohm	R321	119-2241-15	1/10W 220k ohm
			R126	119-1011-15	1/10W 100 ohm	R322	119-3331-15	1/10W 33k ohm
			R127	119-1031-15	1/10W 10k ohm	R323	119-1021-15	1/10W 1k ohm

REF No.	PART No.	DESCRIPTION	REF No.	PART No.	DESCRIPTION	REF No.	PART No.	DESCRIPTION
R324	119-3331-15	1/10W 33k ohm	R419	119-5631-15	1/10W 56k ohm	R542	119-2221-15	1/10W 2.2k ohm
R325	119-3331-15	1/10W 33k ohm	R420	119-5631-15	1/10W 56k ohm	R543	119-2221-15	1/10W 2.2k ohm
R326	119-3331-15	1/10W 33k ohm	R421	119-5631-15	1/10W 56k ohm	R544	119-2221-15	1/10W 2.2k ohm
R327	119-3331-15	1/10W 33k ohm	R422	119-0000-05	1/10W 0 ohm JW	R545	119-1041-15	1/10W 100k ohm
R328	119-5611-15	1/10W 56k ohm	R423	119-5631-15	1/10W 56k ohm	R546	119-3321-15	1/10W 3.3k ohm
R329	119-3331-15	1/10W 33k ohm	R424	119-0000-05	1/10W 0 ohm JW	R547	119-1041-15	1/10W 100k ohm
R330	119-1031-15	1/10W 10k ohm	R425	119-1001-15	1/10W 10 ohm	R548	117-0000-05	1/8W 0 ohm JW
R331	119-3331-15	1/10W 33k ohm	R428	032-0140-52	1/10W 33k ohm F	R549	119-1041-15	1/10W 100k ohm
R332	119-6831-15	1/10W 68k ohm	R429	032-0140-52	1/10W 33k ohm F	R550	119-1041-15	1/10W 100k ohm
R333	119-6831-15	1/10W 68k ohm	R430	032-0140-52	1/10W 33k ohm F	R551	116-1031-15	1/4W 10k ohm
R334	119-2241-15	1/10W 220k ohm	R431	032-0140-52	1/10W 33k ohm F	R552	119-4721-15	1/10W 4.7k ohm
R335	119-0000-05	1/10W 0 ohm JW	R433	119-1031-15	1/10W 10k ohm	R1001	119-1031-15	1/10W 10k ohm
R336	119-4731-15	1/10W 47k ohm	R434	119-1031-15	1/10W 10k ohm	R1002	119-1021-15	1/10W 1k ohm
R337	119-3331-15	1/10W 33k ohm	R435	119-1011-15	1/10W 100 ohm	R2000	119-1031-15	1/10W 10k ohm
R338	119-1021-15	1/10W 1k ohm	R436	119-1011-15	1/10W 100 ohm	R2002	119-4731-15	1/10W 47k ohm
R339	119-3331-15	1/10W 33k ohm	R437	119-0000-05	1/10W 0 ohm JW	R2013	119-4731-15	1/10W 47k ohm
R340	119-3331-15	1/10W 33k ohm	R438	119-1011-15	1/10W 100 ohm	R2019	119-1021-15	1/10W 1k ohm
R341	119-3331-15	1/10W 33k ohm	R439	119-1011-15	1/10W 100 ohm	R2020	119-1021-15	1/10W 1k ohm
R342	119-4731-15	1/10W 47k ohm	R440	119-1011-15	1/10W 100 ohm	R2021	119-0000-05	1/10W 0 ohm JW
R343	119-1011-15	1/10W 100 ohm	R441	119-1021-15	1/10W 1k ohm	R2022	119-1021-15	1/10W 1k ohm
R344	119-1011-15	1/10W 100 ohm	R442	119-1021-15	1/10W 1k ohm	R2023	119-1021-15	1/10W 1k ohm
R345	119-3331-15	1/10W 33k ohm	R443	119-0000-05	1/10W 0 ohm JW	R2024	119-1021-15	1/10W 1k ohm
R346	119-1031-15	1/10W 10k ohm	R444	119-1031-15	1/10W 10k ohm	R2025	119-1021-15	1/10W 1k ohm
R347	119-1031-15	1/10W 10k ohm	R445	119-0000-05	1/10W 0 ohm JW	R2026	119-1021-15	1/10W 1k ohm
R349	119-1011-15	1/10W 100 ohm	R446	119-1031-15	1/10W 10k ohm	R2027	119-0000-05	1/10W 0 ohm JW
R350	119-1011-15	1/10W 100 ohm	R447	119-0000-05	1/10W 0 ohm JW	R2028	119-0000-05	1/10W 0 ohm JW
R356	119-1031-15	1/10W 10k ohm	R448	119-1001-15	1/10W 10 ohm	R2034	119-0000-05	1/10W 0 ohm JW
R357	119-1031-15	1/10W 10k ohm	R450	119-1011-15	1/10W 100 ohm	R2039	119-0000-05	1/10W 0 ohm JW
R359	119-4721-15	1/10W 4.7k ohm	R451	119-0000-05	1/10W 0 ohm JW	R2042	119-0000-05	1/10W 0 ohm JW
R360	119-4721-15	1/10W 4.7k ohm	R471	119-2201-15	1/10W 22 ohm	R2047	119-0000-05	1/10W 0 ohm JW
R361	119-4721-15	1/10W 4.7k ohm	R501	119-1021-15	1/10W 1k ohm	R2050	119-1021-15	1/10W 1k ohm
R362	119-4721-15	1/10W 4.7k ohm	R502	119-1021-15	1/10W 1k ohm	R2051	119-1021-15	1/10W 1k ohm
R363	119-1031-15	1/10W 10k ohm	R503	119-1021-15	1/10W 1k ohm	R2052	119-1021-15	1/10W 1k ohm
R364	119-1031-15	1/10W 10k ohm	R504	119-1021-15	1/10W 1k ohm	R2053	119-1021-15	1/10W 1k ohm
R366	119-1031-15	1/10W 10k ohm	R505	119-4731-15	1/10W 47k ohm	R2054	119-1021-15	1/10W 1k ohm
R367	119-3321-15	1/10W 3.3k ohm	R506	119-4731-15	1/10W 47k ohm	R2055	119-1021-15	1/10W 1k ohm
R370	119-1041-15	1/10W 100k ohm	R507	119-4731-15	1/10W 47k ohm	R2056	119-0000-05	1/10W 0 ohm JW
R372	119-1041-15	1/10W 100k ohm	R508	119-4731-15	1/10W 47k ohm	R3001	119-3331-15	1/10W 33k ohm
R378	119-0000-05	1/10W 0 ohm JW	R509	119-0000-05	1/10W 0 ohm JW	R3002	119-3331-15	1/10W 33k ohm
R379	119-0000-05	1/10W 0 ohm JW	R510	119-0000-05	1/10W 0 ohm JW	R3003	119-1021-15	1/10W 1k ohm
R380	119-3331-15	1/10W 33k ohm	R511	119-0000-05	1/10W 0 ohm JW	R3020	119-0000-05	1/10W 0 ohm JW
R381	119-4721-15	1/10W 4.7k ohm	R512	119-0000-05	1/10W 0 ohm JW	R3021	119-0000-05	1/10W 0 ohm JW
R382	119-3331-15	1/10W 33k ohm	R513	119-6821-15	1/10W 6.8k ohm	R3022	119-0000-05	1/10W 0 ohm JW
R383	119-3331-15	1/10W 33k ohm	R514	119-6821-15	1/10W 6.8k ohm	R3023	119-0000-05	1/10W 0 ohm JW
R384	116-0000-05	1/4W 0 ohm JW	R515	119-6821-15	1/10W 6.8k ohm	R3024	119-0000-05	1/10W 0 ohm JW
R386	119-3331-15	1/10W 33k ohm	R516	119-6821-15	1/10W 6.8k ohm	R4001	119-0000-05	1/10W 0 ohm JW
R387	119-1031-15	1/10W 10k ohm	R517	119-6821-15	1/10W 6.8k ohm	R4002	119-0000-05	1/10W 0 ohm JW
R399	119-4721-15	1/10W 4.7k ohm	R518	119-6821-15	1/10W 6.8k ohm	R4005	119-3931-15	1/10W 39k ohm
R401	032-0140-52	1/10W 33k ohm F	R519	119-1031-15	1/10W 10k ohm	R4006	119-3931-15	1/10W 39k ohm
R402	032-0140-52	1/10W 33k ohm F	R522	119-1031-15	1/10W 10k ohm	SUP101	060-0122-91	DSP-141N-S00B
R403	119-3331-15	1/10W 33k ohm	R523	119-1531-15	1/10W 15k ohm	T501	009-0670-80	180uH
R404	119-3331-15	1/10W 33k ohm	R524	119-1531-15	1/10W 15k ohm	TC301	004-1589-52	20pF
R405	032-0140-52	1/10W 33k ohm F	R525	119-1031-15	1/10W 10k ohm	TH101	002-0318-21	THERMISTOR
R406	032-0140-52	1/10W 33k ohm F	R526	119-1031-15	1/10W 10k ohm	TM101	073-0762-90	TERMINAL
R407	032-0140-52	1/10W 33k ohm F	R529	119-0000-05	1/10W 0 ohm JW	TM102	073-0762-90	TERMINAL
R408	032-0140-52	1/10W 33k ohm F	R530	119-0000-05	1/10W 0 ohm JW	TM103	073-0762-90	TERMINAL
R409	119-1031-15	1/10W 10k ohm	R531	119-0000-05	1/10W 0 ohm JW	TM201	073-0762-90	TERMINAL
R410	119-1031-15	1/10W 10k ohm	R532	119-0000-05	1/10W 0 ohm JW	TM202	073-0762-90	TERMINAL
R411	119-1031-15	1/10W 10k ohm	R533	119-1531-15	1/10W 15k ohm	TM501	073-0762-90	TERMINAL
R412	119-1031-15	1/10W 10k ohm	R534	119-1531-15	1/10W 15k ohm	X301	061-3560-90	3.145728MHZ AT-41CD2
R413	119-1031-15	1/10W 10k ohm	R535	119-6821-15	1/10W 6.8k ohm	X401	061-3537-90	41.6MHz
R414	119-1021-15	1/10W 1k ohm	R536	119-6821-15	1/10W 6.8k ohm	PWB	039-3346-00	PWB(WITHOUT COMPONENTS)
R416	119-0000-05	1/10W 0 ohm JW	R537	119-4731-15	1/10W 47k ohm			
R417	119-1031-15	1/10W 10k ohm	R538	119-4731-15	1/10W 47k ohm			
R418	119-1031-15	1/10W 10k ohm	R541	119-2221-15	1/10W 2.2k ohm			

Switch PWB-A/B(B2) section

REF No.	PART No.	DESCRIPTION	REF No.	PART No.	DESCRIPTION	REF No.	PART No.	DESCRIPTION
C600	166-1011-50	100pF CH	D646	001-2630-90	1SS420-TPL3,F	R603	119-1011-15	1/10W 100 ohm
C601	168-1042-78	16V 0.1uF K	D647	001-7134-54	NHSBO46A-HC14-TKMLP5LP	R604	119-1011-15	1/10W 100 ohm
C602	166-2201-50	22pF CH				R605	119-1011-15	1/10W 100 ohm
C603	166-1011-50	100pF CH	D648	001-7134-54	NHSBO46A-HC14-TKMLP5LP	R606	119-1011-15	1/10W 100 ohm
C604	166-2201-50	22pF CH				R607	119-1011-15	1/10W 100 ohm
C608	168-1042-78	16V 0.1uF K	D649	001-7134-54	NHSBO46A-HC14-TKMLP5LP	R608	119-1011-15	1/10W 100 ohm
C609	168-1022-55	1000pF K				R609	116-1221-15	1/4W 1.2k ohm
C630	166-2201-50	22pF CH	D650	001-7134-54	NHSBO46A-HC14-TKMLP5LP	R610	119-2211-15	1/10W 220 ohm
C650	166-1007-50	10pF CH				R611	116-1021-15	1/4W 1k ohm
C651	166-1007-50	10pF CH	D651	001-9210-50	AVR-M1608C270M TAAD	R612	119-2211-15	1/10W 220 ohm
C660	168-1042-78	16V 0.1uF K	D652	001-9210-50	AVR-M1608C270M TAAD	R613	116-1221-15	1/4W 1.2k ohm
D600	001-7134-53	NHSBO46A-HC14-TKMLP3LP	D653	001-9210-50	AVR-M1608C270M TAAD	R614	119-2211-15	1/10W 220 ohm
D601	001-7134-53	NHSBO46A-HC14-TKMLP3LP	D654	001-9210-50	AVR-M1608C270M TAAD	R615	116-1221-15	1/4W 1.2k ohm
D604	001-7134-53	NHSBO46A-HC14-TKMLP3LP	D655	001-9210-50	AVR-M1608C270M TAAD	R616	119-2211-15	1/10W 220 ohm
D605	001-7134-53	NHSBO46A-HC14-TKMLP3LP				R617	116-1821-15	1/4W 1.8k ohm
D608	001-7134-54	NHSBO46A-HC14-TKMLP5LP	D656	001-9210-50	AVR-M1608C270M TAAD	R618	116-1821-15	1/4W 1.8k ohm
D609	001-7134-54	NHSBO46A-HC14-TKMLP5LP	D660	001-7134-54	NHSBO46A-HC14-TKMLP5LP	R619	116-1821-15	1/4W 1.8k ohm
D612	001-2630-90	1SS420-TPL3,F	D670	001-9210-50	AVR-M1608C270M TAAD	R620	116-1821-15	1/4W 1.8k ohm
D613	001-2630-90	1SS420-TPL3,F	D671	001-9210-50	AVR-M1608C270M TAAD	R621	119-2221-15	1/10W 2.2k ohm
D614	001-2630-90	1SS420-TPL3,F	D672	001-9210-50	AVR-M1608C270M TAAD	R622	119-3321-15	1/10W 3.3k ohm
D615	001-2630-90	1SS420-TPL3,F	D673	001-9210-50	AVR-M1608C270M TAAD	R623	119-2711-15	1/10W 270 ohm
D616	001-2630-90	1SS420-TPL3,F				R624	119-1031-15	1/10W 10k ohm
D617	001-7134-54	NHSBO46A-HC14-TKMLP5LP	D679	001-7134-50	NHSBO46A-HC14-TKLP9G	R625	119-1031-15	1/10W 10k ohm
D618	001-7134-54	NHSBO46A-HC14-TKMLP5LP	D680	001-7134-50	NHSBO46A-HC14-TKLP9G	R626	119-1031-15	1/10W 10k ohm
D621	001-7134-54	NHSBO46A-HC14-TKMLP5LP	D683	001-7134-50	NHSBO46A-HC14-TKLP9G	R627	116-1021-15	1/4W 1k ohm
D622	001-7134-54	NHSBO46A-HC14-TKMLP5LP	D684	001-7134-50	NHSBO46A-HC14-TKLP9G	R628	119-1031-15	1/10W 10k ohm
D625	001-2630-90	1SS420-TPL3,F	D687	001-7134-50	NHSBO46A-HC14-TKLP9G	R629	116-2721-15	1/4W 2.7k ohm
D626	001-2630-90	1SS420-TPL3,F				R630	119-0000-05	1/10W 0 ohm JW
D627	001-2630-90	1SS420-TPL3,F	D688	001-7134-50	NHSBO46A-HC14-TKLP9G	R631	119-0000-05	1/10W 0 ohm JW
D628	001-2630-90	1SS420-TPL3,F				R639	119-1021-15	1/10W 1k ohm
D629	001-2630-90	1SS420-TPL3,F	D691	001-7134-50	NHSBO46A-HC14-TKLP9G	R640	119-1021-15	1/10W 1k ohm
D630	001-7134-54	NHSBO46A-HC14-TKMLP5LP	D692	001-7134-50	NHSBO46A-HC14-TKLP9G	R641	119-1021-15	1/10W 1k ohm
D631	001-7134-54	NHSBO46A-HC14-TKMLP5LP	IC601	051-7239-08	TC74VHCT08AFT-EL	R642	119-0000-05	1/10W 0 ohm JW
D634	001-2630-90	1SS420-TPL3,F				R643	119-1011-15	1/10W 100 ohm
D635	001-2630-90	1SS420-TPL3,F	J600	074-2228-26	26P	R644	119-1011-15	1/10W 100 ohm
D636	001-2630-90	1SS420-TPL3,F	J601	074-3014-56	6P	R645	119-1021-15	1/10W 1k ohm
D637	001-2630-90	1SS420-TPL3,F	J604	076-6000-56	6P	R646	119-1021-15	1/10W 1k ohm
D638	001-2630-90	1SS420-TPL3,F	J605	074-3014-76	26P	R647	119-8211-15	1/10W 820 ohm
D639	001-7063-95	RBR1102W D,E (RED)	J606	074-3014-62	12P	R648	119-8211-15	1/10W 820 ohm
D640	001-7103-91	CL-191S-MG-D-T(GRN)	J608	075-0306-00	JACK	R649	119-8211-15	1/10W 820 ohm
D641	001-0529-36	MA8062-H	P601	076-3011-56	6P	R650	119-8211-15	1/10W 820 ohm
D642	001-2630-90	1SS420-TPL3,F	Q600	192-4081-00	2SC4081	R651	119-0000-05	1/10W 0 ohm JW
D643	001-2630-90	1SS420-TPL3,F	Q601	192-4081-00	2SC4081	R652	119-0000-05	1/10W 0 ohm JW
D644	001-2630-90	1SS420-TPL3,F	R600	119-1011-15	1/10W 100 ohm	R657	116-6821-15	1/4W 6.8k ohm
D645	001-2630-90	1SS420-TPL3,F	R601	119-1011-15	1/10W 100 ohm	R658	119-1011-15	1/10W 100 ohm
			R602	119-1011-15	1/10W 100 ohm	R683	116-1521-15	1/4W 1.5k ohm
						R685	116-1821-15	1/4W 1.8k ohm
						R687	116-1521-15	1/4W 1.5k ohm
						R689	116-1221-15	1/4W 1.2k ohm
						S650	016-7004-00	ROTARY SWITCH
						TM602	073-0786-90	TERMINAL
						TM603	073-0786-90	TERMINAL
						TM604	073-0766-90	TERMINAL
						TM605	073-0766-90	TERMINAL
						TM608	073-0766-90	TERMINAL
						PWB	039-3528-00	PWB(WITHOUT COMPONENTS)

EXPLODED VIEW / PARTS LIST



NO.	PART NO.	DESCRIPTION	Q'TY
1	-----	SENSOR PWB	1
2	-----	CD PWB	1
3	SMA-200-100	SPINDLE MOTOR-ASSY	1
4	SMA-183-100	SLED MOTOR-ASSY	1
5	345-5476-20	CUSHION RUBBER	1
6	620-1023-23	CLAMPER PLATE	1
7	620-1026-21	SPRING PLATE	1
8	620-1596-23	CLAMPER LINK	1
9	620-1862-20	UPPER CHASSIS	1
10	620-1752-20	SENSOR ARM	1
11	620-1753-20	ID-LOCK PLATE	1
12	620-1868-20	LOWER CHASSIS	1
13	621-0608-21	SECOND GEAR	1
14	621-0609-20	BASE GEAR	1
15	621-0610-20	IDLE GEAR A	1
16	621-0611-20	IDLE GEAR B	1
17	621-0612-21	ROLLER GEAR A	1
18	621-0620-20	THREAD GEAR A	1
19	621-0621-20	THREAD GEAR B	1
20	621-0623-23	LS-HOLDER	1
21	621-0624-22	GUIDE RAIL	1
22	621-0711-21	LOADING ROLLER	2
23	621-0718-21	ROLLER GUIDE	1
24	621-0719-20	ROLLER GEAR B	1
25	621-0720-20	ROLLER GEAR C	1
26	621-0721-20	ROLLER GEAR D	1
27	621-0728-20	STOPPER LINK	1
28	621-1719-20	IDLE CASE	1
29	621-1726-20	ROLLER SLEEVE	2
30	621-1729-20	SH-BASE	1
31	621-1742-20	UPPER GUIDE	1
32	621-1743-20	SHIFT LEVER	1
33	621-1744-20	RACK	1
34	621-1745-20	LOCK ARM L	1
35	621-1746-20	LOCK ARM R	1
36	621-1747-20	GEAR COVER	1
37	621-1748-20	POWER GEAR A	1
38	621-1749-20	POWER GEAR B	1
39	621-1750-20	POWER GEAR C	1

NO.	PART NO.	DESCRIPTION	Q'TY
40	621-1751-20	POWER GEAR D	1
41	621-1752-20	DISC STOPPER	1
42	621-1753-20	CLAMPER RING	1
43	621-1754-20	GEAR BASE	1
44	622-1571-21	ROLLER SHAFT	1
45	624-3059-00	LEAD SCREW	1
46	629-0086-20	DAMPER F	2
47	629-0087-20	DAMPER R	1
48	716-1507-01	SCREW(M2x3)	3
49	716-1670-01	SCREW(M2x4)	4
50	716-1733-01	SCREW(M1.7x2.3)	2
51	716-3469-01	SCREW(1.7x4)	2
52	716-3473-01	SCREW(M2x3)	1
53	716-3551-00	SCREW(M1.4x2.5)	2
54	750-7865-20	SHIFT SPRING	1
55	750-7866-20	RACK SPRING	1
56	750-7867-20	CLAMPER SPRING	1
57	750-7868-20	ID-LOCK SPRING	1
58	750-7869-20	SENSOR SPRING	1
59	750-7870-20	DR-SPRING F	2
60	750-7871-20	DR-SPRING RA	1
61	750-7872-20	DR-SPRING RB	1
62	750-7873-20	DR-SPRING C	1
63	750-6797-20	ROLLER SPRING L	1
64	750-6798-20	ROLLER SPRING R	1
65	714-2003-8B	SCREW(M2x3)	2
66	780-2025-00	SCREW(M2x2.5)	3
67	781-1730-00	SCREW(M1.7x3)	1
68	803-4906-60	VINYL-COAT-WIRE(ORG)	1
69	816-2624-55	FLAT WIRE	1
70	816-2590-00	VINYL-COAT-WIRE(GRN)	1
71	816-2591-00	VINYL-COAT-WIRE(YEL)	1
72	816-2592-00	VINYL-COAT-WIRE(BLUE)	1
73	816-2593-00	VINYL-COAT-WIRE(PUR)	1
74	966-1722-20	SH-RACK-ASSY	1
75	969-0075-31	PICKUP-ASSY	1
76	620-1867-20	DRIVE-PLTATE	1
77	622-1570-21	DAMPER PIN	3

ELECTRICAL PARTS LIST

CD PWB(BM1) section

REF No.	PART No.	DESCRIPTION	REF No.	PART No.	DESCRIPTION	REF No.	PART No.	DESCRIPTION
C2	178-1052-78	1uF	C55	168-1042-78	16V 0.1uF K	R25	119-1041-15	1/10W 100k ohm
C3	165-1073-35	16V 100uF	C56	168-1042-78	16V 0.1uF K	R26	119-0000-05	1/10W 0 ohm JW
C4	168-1042-78	16V 0.1uF K	C59	166-4701-50	47pF CH	R27	119-4731-15	1/10W 47k ohm
C6	178-1052-78	1uF	C60	168-1042-78	16V 0.1uF K	R29	119-5621-15	1/10W 5.6k ohm
C7	042-0560-85	6.3V 100uF	C78	119-0000-05	1/10W 0 ohm JW	R30	119-2231-15	1/10W 22k ohm
C8	178-1052-78	1uF	C117	166-6801-50	68pF CH	R31	119-4731-15	1/10W 47k ohm
C9	166-4711-50	470pF CH	C118	166-6801-50	68pF CH	R32	119-3341-15	1/10W 330k ohm
C10	168-4732-78	0.047uF K	C120	166-1007-50	10pF CH	R33	119-1041-15	1/10W 100k ohm
C11	166-4711-50	470pF CH	C121	166-1007-50	10pF CH	R34	119-1041-15	1/10W 100k ohm
C12	168-4732-78	0.047uF K	C122	166-1007-50	10pF CH	R35	119-1041-15	1/10W 100k ohm
C14	168-1042-78	16V 0.1uF K	C123	166-1007-50	10pF CH	R38	119-1041-15	1/10W 100k ohm
C15	166-1007-50	10pF CH	C124	166-5601-50	56pF CH	R39	119-0000-05	1/10W 0 ohm JW
C16	166-1007-50	10pF CH	C125	166-5601-50	56pF CH	R50	119-0000-05	1/10W 0 ohm JW
C17	168-1042-78	16V 0.1uF K	C126	166-5601-50	56pF CH	R64	119-1051-15	1/10W IM ohm
C18	168-2222-55	2200pF K	CCT100	050-0140-52	1/32W 100 ohm x4J	R70	119-0000-05	1/10W 0 ohm JW
C19	168-1042-78	16V 0.1uF K	D152	001-9210-50	AVR-M1608C270MT	R71	119-0000-05	1/10W 0 ohm JW
C20	168-1042-78	16V 0.1uF K			AAD	R100	119-0000-05	1/10W 0 ohm JW
C22	168-6822-55	6800pF K	IC1	051-6733-30	TC94A73MFG201	R101	119-0000-05	1/10W 0 ohm JW
C24	168-3332-78	0.033uF K	IC2	051-6709-80	BA5830FM	R102	119-0000-05	1/10W 0 ohm JW
C25	168-3332-78	0.033uF K	J1	074-2215-65	SOCKET (15P)	R103	119-0000-05	1/10W 0 ohm JW
C26	168-1042-78	16V 0.1uF	J2	074-2215-60	SOCKET (10P)	R104	119-0000-05	1/10W 0 ohm JW
C28	043-0570-90	16V 2.2uF K	L1	010-3105-69	MMZ1608S102	R105	119-0000-05	1/10W 0 ohm JW
C31	043-0570-90	16V 2.2uF K	P100	074-1323-90	SOCKET (40P)	R106	119-0000-05	1/10W 0 ohm JW
C33	168-1042-78	16V 0.1uF K	Q1	131-1188-50	2SB1188	R107	119-0000-05	1/10W 0 ohm JW
C34	168-1042-78	16V 0.1uF K	R1	119-2211-15	1/10W 220 ohm	R108	119-0000-05	1/10W 0 ohm JW
C36	168-1042-78	16V 0.1uF K	R2	117-6811-15	1/8W 680 ohm	R109	119-0000-05	1/10W 0 ohm JW
C37	168-5622-55	5600pF K	R4	119-1001-15	1/10W 10 ohm	R113	119-0000-05	1/10W 0 ohm JW
C38	166-6801-50	68pF CH	R5	119-2731-15	1/10W 27k ohm	R114	119-0000-05	1/10W 0 ohm JW
C39	168-1042-78	16V 0.1uF K	R6	119-2731-15	1/10W 27k ohm	R115	119-1011-15	1/10W 100 ohm
C40	168-1532-55	0.015uF K	R7	119-2221-15	1/10W 2.2k ohm	R116	119-1011-15	1/10W 100 ohm
C41	168-1042-78	16V 0.1uF K	R8	119-2731-15	1/10W 27k ohm	R117	119-1011-15	1/10W 100 ohm
C42	168-1032-55	0.01uF K	R9	119-2731-15	1/10W 27k ohm	R118	119-1011-15	1/10W 100 ohm
C44	168-1042-78	16V 0.1uF K	R10	119-1051-15	1/10W IM ohm	R119	119-1011-15	1/10W 100 ohm
C46	168-1522-55	1500pF K	R11	119-2211-15	1/10W 220 ohm	R120	119-0000-15	1/10W 0 ohm JW
C47	168-3322-55	3300pF K	R13	119-8231-15	1/10W 82k ohm	R121	119-3331-15	1/10W 33k ohm
C48	168-1032-55	0.01uF K	R14	119-1531-15	1/10W 15k ohm	TM1	073-0768-90	TERMINAL
C49	168-1042-78	16V 0.1uF K	R15	119-8231-15	1/10W 82k ohm	X1	061-3534-90	16.92MHz
C51	166-6801-50	68pF CH	R16	119-4731-15	1/10W 47k ohm	PWB	039-3348-00	PWB(WITHOUT COMPONENT)
C54	168-1532-55	0.015uF K	R22	119-2231-15	1/10W 22k ohm			

Sensor PWB(BM2) section

REF No.	PART No.	DESCRIPTION	REF No.	PART No.	DESCRIPTION	REF No.	PART No.	DESCRIPTION
D1	001-7058-90	AN1105W-RR	Q1	060-4015-91	PS1192HB	S2	013-7413-50	LIMIT
D2	001-7058-90	AN1105W-RR	Q2	060-4015-91	PS1192HB	PWB	039-2675-20	PWB(WITHOUT COMPONENT)
J1	074-2215-60	SOCKET (10P)	S1	013-7414-50	CHUCKING			