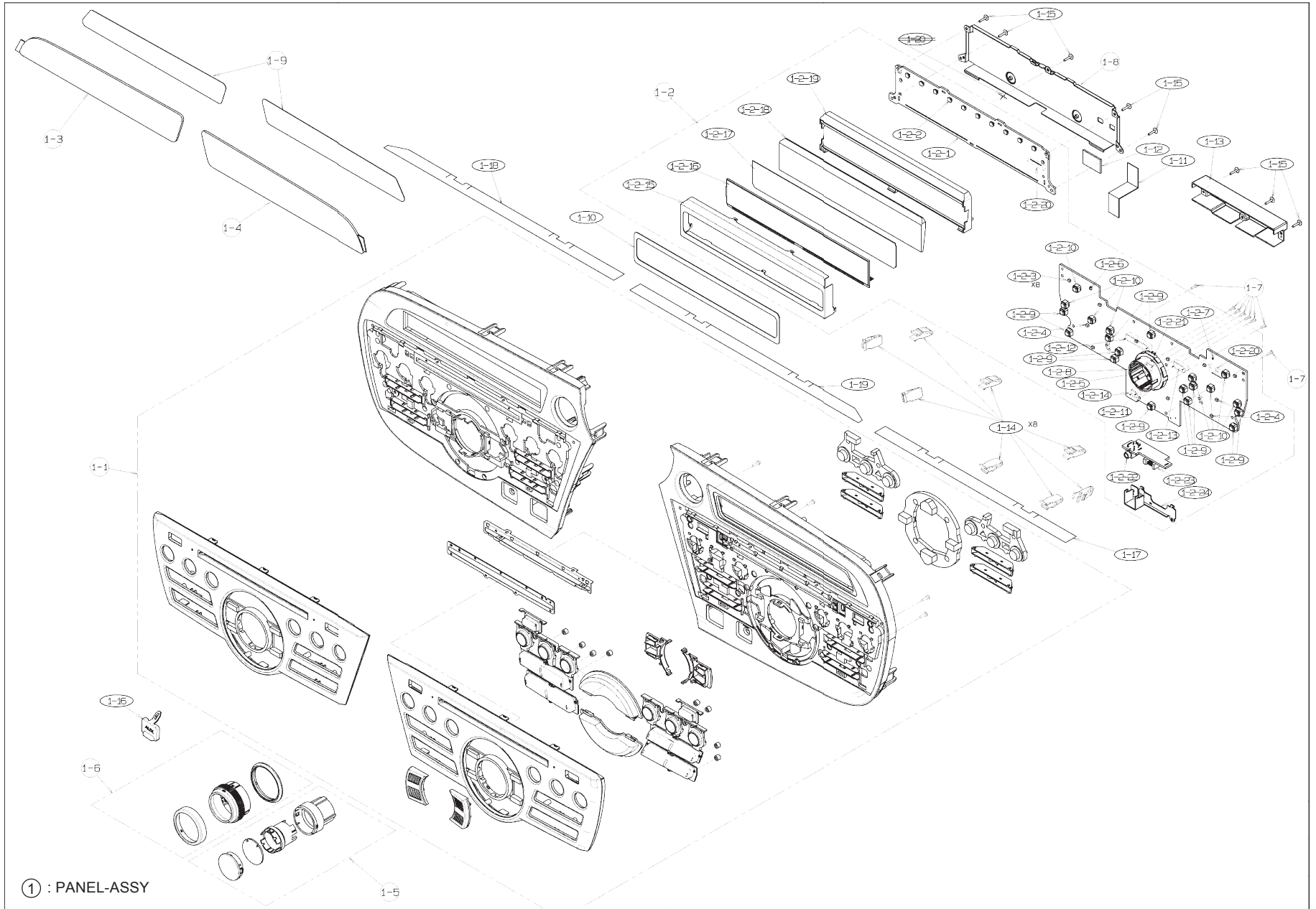
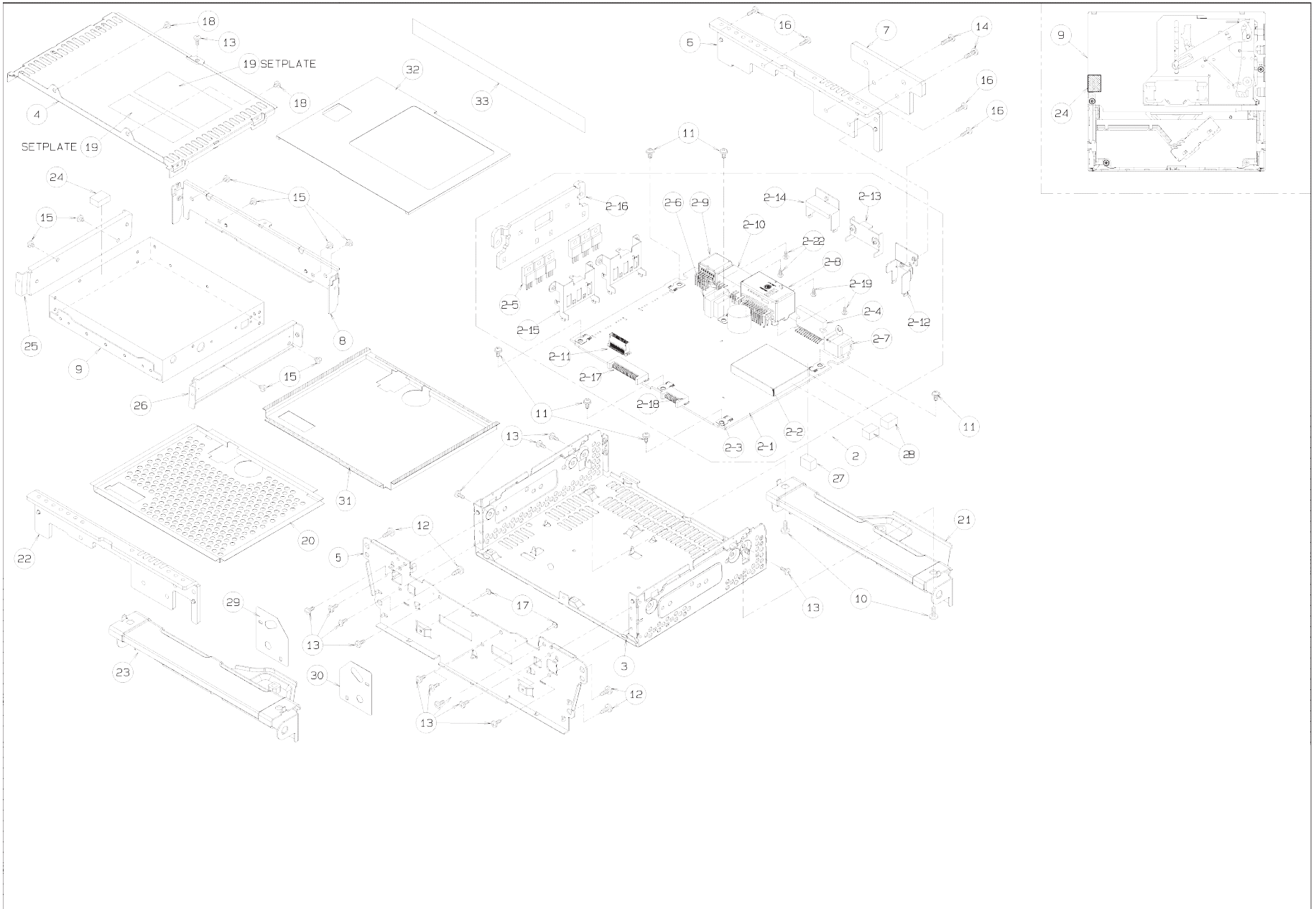


PH-3084H-C(UH-1067H-A) / PH-3084H-D(UH-1067H-B) / PH-3084H-E(UH-1067H-C)

NO.	PART NO.	DESCRIPTION	Q'TY	NO.	PART NO.	DESCRIPTION	Q'TY
1	-----	PANEL-ASSY(3084B0-45)	1	2-6	009-0670-80	CHOKE	1
1-1	940-8235-16	ESCUTCHEON-ASSY	1	2-7	092-2238-00	ANT-RECEPT	1
1-2	-----	SW-PWB-ASSY(3084AH-77)	1	2-8	074-4026-24	OUTLET SOCKET	1
1-2-1	-----	SW PWB(334710-039)	1	2-9	074-4017-12	OUTLET SOCKET	1
1-2-2	001-7110-92	DIODE	10	2-10	074-1168-14	OUTLET SOCKET	1
1-2-3	001-7111-95	DIODE	8	2-11	076-3028-40	PLUG	1
1-2-4	001-7111-96	DIODE	4	2-12	331-4697-01	ANT HOLDER	1
1-2-5	001-7111-97	DIODE	1	2-13	331-3459-00	IC HOLDER	1
1-2-6	001-7103-91	DIODE	1	2-14	331-3769-00	OUTLET HOLDER	1
1-2-7	001-7063-95	DIODE	1	2-15	331-4066-00	TR HOLDER	2
1-2-8	016-7004-00	ROTARY SWITCH	1	2-16	313-2017-00	SUB HEAT SINK	1
1-2-9	013-6201-53	SWITCH	12	2-17	076-3011-76	PLUG	1
1-2-10	013-6206-50	TACT SWITCH	8	2-18	076-3011-62	PLUG	1
1-2-11	013-6207-50	TACT SWITCH	1	2-19	778-3005-00	TAP SCREW	2
1-2-12	074-3014-76	OUTLET SOCKET	1	(2-20)	-	-	-
1-2-13	074-3014-62	OUTLET SOCKET	1	(2-21)	-	-	-
1-2-14	074-3014-56	OUTLET SOCKET	1	2-22	778-3005-00	TAP SCREW	2
1-2-15	331-4696-10	LCD COVER	1	3	311-1943-10	LOWER CASE	1
1-2-16	379-1414-43	INDICATOR	1	4	310-1891-00	UPPER CASE	1
1-2-17	335-7636-21	COLOR FILTER	1	5	331-4693-01	ES-PLATE	1
1-2-18	335-7601-00	LCD ILLUMI	1	6	-	(HEAT SINK A) *NU	-
1-2-19	335-8464-04	ILLUMI HOLDER	1	7	313-2057-00	HEAT SINK(B)	1
1-2-20	074-2229-26	OUTLET SOCKET	2	8	331-4695-01	MECH BRKT	1
1-2-21	076-6000-56	PLUG	1	9	929-5025-80	CD-MECH-MUDULE	1
1-2-22	075-0306-00	JACK	1	10	714-5008-8B	MACHINE SCREW	2
1-2-23	076-3011-56	PLUG	1	11	716-0878-50	SPECIAL SCREW	6
1-2-24	331-4699-00	AUX HOLDER	1	12	778-4008-01	P-TICHT SCREW	4
1-3	-	(DIAL CVR) *NU	-	13	714-2606-8B	MACHINE SCREW	14
1-4	373-1177-02	DIAL-CVR	1	14	780-2616-01	SPECIAL SCREW	2
1-5	948-0853-05	BUTTON-ASSY	1	15	714-2603-8B	MACHINE SCREW	8
1-6	948-0854-04	KNOB ASSY	1	16	714-2608-89	MACHINE SCREW	4
1-7	716-0778-51	SPECIAL SCREW	8	17	716-3615-00	SPECIAL SCREW	2
1-8	331-4694-12	LCD PLATE	1	18	780-2603-07	SPECIAL SCREW	2
1-9	347-8523-00	CLEAR SHEET	1	19	276-0866-20 276-0866-21 276-0866-22	SETPLATE(for PH3084HC) SETPLATE(for PH3084HD) SETPLATE(for PH3084HE)	1 1 1
1-10	345-6232-00	CUSHION	1	20	347-8550-01	MECH CVR	1
1-11	816-3029-57	FLAT WIRE	1	21	300-8211-10	MTG-BRKT	1
1-12	345-6233-00	CUSHION RUBBER	1	22	313-2056-00	HEAT SINK(A)	1
1-13	335-8459-00	AUX COVER	1	23	-	(MTG BRKT LOW) *NU	-
1-14	335-8461-00	CLIP	8	24	345-6066-01	GASKET	1
1-15	716-3615-00	SPECIAL SCREW	8	25	331-4832-00	MECH BRKT(L)	1
1-16	335-8460-01	AUX CAP	1	26	331-4833-00	MECH BRKT(R)	1
1-17	347-8638-01	CUSHION	1	27	345-6341-00	GASKET	1
1-18	-	(CUSHION) *NU	-	28	345-6593-01	GASKET	2
1-19	347-8694-10	CUSHION	1	29	-	(DUST PROOF SHEET) *NU	-
2	-----	MAIN-PWB-ASSY(3084C7-75)	1	30	-	(DUST PROOF SHEET) *NU	-
2-1	-----	MAIN PWB(334600-039)	1	31	-	(MECH-CVR) *NU	-
2-2	880-2091G	TUNER(2091GH-80)	1	32	-	(CUSHION SHEET) *NU	-
2-3	073-0762-90	TERMINAL	6	33	-	(SHADE) *NU	-
2-4	051-2042-00	IC	1				
2-5	103-2394-00	TRANSISTOR	5				



① : PANEL-ASSY



# ELECTRICAL PARTS LIST

## MAIN PWB(B1) section

REF No.	PART No.	DESCRIPTION	REF No.	PART No.	DESCRIPTION	REF No.	PART No.	DESCRIPTION
ANT101	092-2238-00	ANT-RECEPT	C271	-----	(NU)	C445	168-1042-78	16V 0.1uF K
BL101	880-2091G	TUNER	C272	-----	(NU)	C446	168-1042-78	16V 0.1uF K
C101	-----	(NU)	C273	-----	(NU)	C447	168-1022-55	1000pF K
C102	168-1032-55	0.01uF K	C274	-----	(NU)	C448	165-4763-15	6.3V 47uF
C103	166-1011-50	100pF CH	C291	168-2222-55	2200pF K	C449	168-2232-55	0.022uF K
C104	166-2201-50	22pF CH	C301	166-1011-50	100pF CH	C450	165-1063-35	16V 10uF
C105	168-1032-55	0.01uF K	C302	178-1052-78	25V 1uF	C451	178-1052-78	25V 1uF
C106	166-1011-50	100pF CH	C303	-----	(NU)	C452	168-1042-78	16V 0.1uF K
C107	043-0319-51	200pF J CH	C304	168-1032-55	0.01uF K	C453	168-1042-78	16V 0.1uF K
C108	-----	(NU)	C305	168-1022-55	1000pF K	C454	168-3332-78	0.033uF K
C109	168-1022-55	1000pF K	C306	168-1042-78	16V 0.1uF K	C455	-----	(NU)
C110	165-1073-35	16V 100uF	C307	165-4753-55	35V 4.7uF	C456	-----	(NU)
C111	168-1022-55	1000pF K	C308	168-1022-55	1000pF K	C457	168-3322-55	3300pF K
C112	165-1073-35	16V 100uF	C309	168-1022-55	1000pF K	C458	168-3322-55	3300pF K
C113	-----	(NU)	C310	168-1042-78	16V 0.1uF K	C459	178-1052-78	25V 1uF
C114	168-1032-55	0.01uF K	C311	042-1737-90	6.3V 1000uF M	C460	168-2222-55	2200pF K
C115	168-1022-55	1000pF K	C312	165-4753-55	35V 4.7uF	C461	168-2222-55	2200pF K
C116	-----	(NU)	C313	042-1737-90	6.3V 1000uF M	C462	-----	(NU)
C117	168-1022-55	1000pF K	C314	-----	(NU)	C463	168-1042-78	16V 0.1uF K
C118	168-1022-55	1000pF K	C316	166-8096-50	8pF +/-0.25pF CH	C464	168-1042-78	16V 0.1uF K
C119	168-1022-55	1000pF K	C317	168-1042-78	16V 0.1uF K	C465	168-2232-55	0.022uF K
C120	168-1022-55	1000pF K	C318	-----	(NU)	C466	-----	(NU)
C121	168-1022-55	1000pF K	C319	165-1063-35	16V 10uF	C467	168-2232-55	0.022uF K
C122	-----	(NU)	C320	168-1032-55	0.01uF K	C468	168-4712-55	470pF K
C123	165-4763-35	16V 47uF	C323	168-1032-55	0.01uF K	C469	-----	(NU)
C124	168-1032-55	0.01uF K	C371	168-1022-55	1000pF K	C470	-----	(NU)
C125	165-1063-35	16V 10uF	C400	165-2253-65	50V 2.2uF	C471	-----	(NU)
C126	168-1042-78	16V 0.1uF K	C401	165-2253-65	50V 2.2uF	C472	168-2222-55	2200pF K
C127	165-1073-15	6.3V 100uF	C402	165-2253-65	50V 2.2uF	C473	168-2222-55	2200pF K
C128	168-1042-78	16V 0.1uF K	C403	165-2253-65	50V 2.2uF	C474	165-2263-15	6.3V 22uF
C129	043-0554-90	25V 10uF	C404	165-2253-65	50V 2.2uF	C475	168-1022-55	1000pF K
C130	168-3332-78	0.033uF K	C405	165-2253-65	50V 2.2uF	C476	168-1042-78	16V 0.1uF K
C131	165-1073-15	6.3V 100uF	C406	165-2253-65	50V 2.2uF	C477	042-1767-90	16V 470uF
C132	168-1042-78	16V 0.1uF K	C407	165-2253-65	50V 2.2uF	C478	168-1042-78	16V 0.1uF K
C133	168-1022-55	1000pF K	C408	165-2253-65	50V 2.2uF	C479	042-2273-25	10V 220uF M
C134	-----	(NU)	C409	165-4753-55	35V 4.7uF	C480	168-1042-78	16V 0.1uF K
C135	043-0554-90	25V 10uF	C410	168-1042-78	16V 0.1uF K	C481	168-1022-55	1000pF K
C136	-----	(NU)	C411	166-1811-50	180pF CH	C482	-----	(NU)
C137	168-1042-78	16V 0.1uF K	C412	166-1007-50	10pF CH	C483	-----	(NU)
C138	168-1042-78	16V 0.1uF K	C413	166-1007-50	10pF CH	C484	-----	(NU)
C139	042-1767-90	16V 470uF	C414	168-1022-55	1000pF K	C485	-----	(NU)
C140	043-0499-51	50V 0.1uF J	C415	166-1511-50	150pF CH	C486	-----	(NU)
C141	166-1011-50	100pF CH	C416	166-1511-50	150pF CH	C501	-----	(NU)
C142	168-4742-78	0.47uF K	C417	166-1511-50	150pF CH	C502	-----	(NU)
C151	-----	(NU)	C418	166-1511-50	150pF CH	C503	-----	(NU)
C152	-----	(NU)	C419	166-1511-50	150pF CH	C504	-----	(NU)
C153	-----	(NU)	C420	166-1511-50	150pF CH	C505	165-2263-15	6.3V 22uF
C201	178-1022-78	1000pF	C421	166-1511-50	150pF CH	C506	165-2263-15	6.3V 22uF
C202	178-1022-78	1000pF	C422	166-1511-50	150pF CH	C507	165-2263-15	6.3V 22uF
C203	-----	(NU)	C423	165-4753-55	35V 4.7uF	C508	165-2263-15	6.3V 22uF
C206	168-1032-55	0.01uF K	C424	168-1042-78	16V 0.1uF K	C509	165-2253-65	50V 2.2uF
C209	168-1042-78	16V 0.1uF K	C425	165-4753-55	35V 4.7uF	C510	165-2253-65	50V 2.2uF
C213	166-1011-50	100pF CH	C426	168-1042-78	16V 0.1uF K	C511	165-2253-65	50V 2.2uF
C219	168-1042-78	16V 0.1uF K	C427	168-1022-55	1000pF K	C512	165-2253-65	50V 2.2uF
C226	-----	(NU)	C428	168-1022-55	1000pF K	C513	166-5611-50	560pF CH
C227	165-1073-15	6.3V 100uF	C429	166-1011-50	100pF CH	C514	166-5611-50	560pF CH
C228	043-0554-90	25V 10uF	C430	168-1042-78	16V 0.1uF K	C515	166-5611-50	560pF CH
C229	168-1042-78	16V 0.1uF K	C431	168-1042-78	16V 0.1uF K	C516	166-5611-50	560pF CH
C231	165-1073-15	6.3V 100uF	C432	168-1042-78	16V 0.1uF K	C517	166-5611-50	560pF CH
C232	165-4763-15	6.3V 47uF	C433	168-5622-55	5600pF K	C518	166-5611-50	560pF CH
C233	168-1042-78	16V 0.1uF K	C434	168-5622-55	5600pF K	C519	166-1011-50	100pF CH
C234	165-4763-15	6.3V 47uF	C435	165-4753-55	35V 4.7uF	C520	166-1011-50	100pF CH
C235	168-1042-78	16V 0.1uF K	C436	168-1042-78	16V 0.1uF K	C521	166-2201-50	22pF CH
C236	043-0554-90	25V 10uF	C437	168-2232-55	0.022uF K	C522	166-2201-50	22pF CH
C237	043-0554-90	25V 10uF	C438	165-1073-15	6.3V 100uF	C523	166-2201-50	22pF CH
C238	168-1042-78	16V 0.1uF K	C439	168-1042-78	16V 0.1uF K	C524	166-2201-50	22pF CH
C239	168-1042-78	16V 0.1uF K	C440	043-0554-90	25V 10uF	C525	166-1011-50	100pF CH
C240	168-1042-78	16V 0.1uF K	C441	168-1042-78	16V 0.1uF K	C526	166-1011-50	100pF CH
C241	042-1767-90	16V 470uF	C442	168-4732-78	0.047uF K	C527	166-5611-50	560pF CH
C242	042-1768-90	16V 10uF	C443	043-0504-50	10V 4.7uF	C528	166-5611-50	560pF CH
C243	168-1022-55	1000pF K	C444	165-2263-15	6.3V 22uF	C529	166-5611-50	560pF CH

REF No.	PART No.	DESCRIPTION	REF No.	PART No.	DESCRIPTION	REF No.	PART No.	DESCRIPTION
C530	166-5611-50	560pF CH	D104	001-0529-47	MA8091-M	J301	-----	(NU)
C531	166-5611-50	560pF CH	D106	001-0516-90	MA111	J501	074-4026-24	24P
C532	166-5611-50	560pF CH	D107	001-0529-28	MA8051-L	L101	010-2003-04	30uH
C533	168-1042-78	16V 0.1uF K	D108	001-0529-47	MA8091-M	L102	010-4011-20	2.5mH +3/-3%
C534	165-1073-35	16V 100uF	D109	001-0529-48	MA8091-H	L103	010-3104-50	30 ohm/100MHz
C535	165-2263-15	6.3V 22uF	D110	-----	(NU)	L104	010-3406-66	22uH J
C536	-----	(NU)	D111	001-2403-90	M1F60	L106	010-3104-50	30 ohm/100MHz
C537	-----	(NU)	D112	001-2403-90	M1F60	L203	010-2285-51	120 ohm/100MHz
C538	168-5612-55	560pF Z	D113	001-2403-90	M1F60	L205	010-3104-50	30 ohm/100MHz
C539	-----	(NU)	D201	001-0529-69	MA8180-M	L206	010-3104-50	30 ohm/100MHz
C540	-----	(NU)	D202	001-0529-32	MA8056-M	L207	010-3105-62	1k ohm/100MHz
C541	168-1545-56	0.15uF Z	D203	001-0529-32	MA8056-M	L211	010-3105-62	1k ohm/100MHz
C542	168-1545-56	0.15uF Z	D205	001-0535-90	MA729	L212	010-3105-62	1k ohm/100MHz
C543	168-1545-56	0.15uF Z	D206	-----	(NU)	L301	010-3105-62	1k ohm/100MHz
C544	168-1545-56	0.15uF Z	D207	-----	(NU)	L302	010-3406-66	22uH J
C545	165-1063-35	16V 10uF	D209	001-0516-90	MA111	L303	010-3406-66	22uH J
C546	043-0499-51	50V 0.1uF J	D210	001-0516-90	MA111	L401	010-3105-62	1k ohm/100MHz
C547	-----	(NU)	D213	-----	(NU)	L402	010-3105-62	1k ohm/100MHz
C548	168-2222-55	2200pF K	D215	-----	(NU)	L403	010-3105-62	1k ohm/100MHz
C549	168-2222-55	2200pF K	D216	-----	(NU)	L404	010-3105-62	1k ohm/100MHz
C550	168-2222-55	2200pF K	D217	001-0535-90	MA729	L405	010-3105-62	1k ohm/100MHz
C551	168-2222-55	2200pF K	D218	-----	(NU)	L406	010-3105-62	1k ohm/100MHz
C552	168-1032-55	0.01uF K	D219	001-0529-45	MA8082-H	L407	010-3105-62	1k ohm/100MHz
C553	172-4741-11	0.47uF	D220	-----	(NU)	L408	010-3105-62	1k ohm/100MHz
C554	168-2222-55	2200pF K	D221	-----	(NU)	L409	010-3105-62	1k ohm/100MHz
C555	168-2222-55	2200pF K	D222	-----	(NU)	L410	010-3105-62	1k ohm/100MHz
C556	165-3353-65	50V 3.3uF	D223	-----	(NU)	L411	010-3105-62	1k ohm/100MHz
C557	168-2222-55	2200pF K	D224	001-9210-50	AVR-M1608C270MTA	L412	010-3105-62	1k ohm/100MHz
C558	168-2222-55	2200pF K			AD	L413	010-3105-62	1k ohm/100MHz
C559	168-2222-55	2200pF K	D301	001-0516-90	MA111	L414	010-3105-62	1k ohm/100MHz
C560	168-2222-55	2200pF K	D302	001-0504-42	HZS7 C3L	L415	010-2198-51	0.22uH
C561	168-2222-55	2200pF K	D303	001-0529-42	MA8075-H	L416	010-3105-62	1k ohm/100MHz
C562	168-2222-55	2200pF K	D304	001-0516-90	MA111	L2001	010-3406-66	22uH J
C563	043-0499-51	50V 0.1uF J	D305	001-0529-48	MA8091-H	L3002	010-3105-62	1k ohm/100MHz
C564	189-3383-31	16V 3300uF	D501	001-2403-90	M1F60	L5001	010-3105-62	1k ohm/100MHz
C1008	-----	(NU)	D502	001-0592-00	RM4Z	P2000	076-3028-40	40P
C1009	-----	(NU)	D1003	-----	(NU)	P3000	076-3011-76	26P
C1010	-----	(NU)	D2000	001-0529-32	MA8056-M	P3001	076-3011-62	12P
C1301	165-1043-65	50V 0.1uF	D2001	-----	(NU)	Q101	192-4081-00	2SC4081
C2000	168-1022-55	1000pF K	D2002	001-0516-90	MA111	Q102	192-4081-00	2SC4081
C2001	165-1063-35	16V 10uF	D2003	001-0529-57	MA8120-H	Q103	125-2027-91	DTC114EUA
C2002	168-1042-78	16V 0.1uF K	D2004	-----	(NU)	Q104	190-1736-00	2SA1736
C2003	168-1042-78	16V 0.1uF K	D2005	-----	(NU)	Q106	103-2394-00	2SD2394
C2004	-----	(NU)	IC101	051-3354-90	BA33BC0WFP	Q107	192-5810-00	2SC5810 TE12L
C2005	-----	(NU)	IC102	051-3218-90	TA76431F	Q108	192-4081-00	2SC4081
C2006	-----	(NU)	IC103	051-3344-90	BD3930FP-E2	Q109	125-2027-91	DTC114EUA
C2007	-----	(NU)	IC202	051-6648-90	HA12240FP-EL	Q110	191-1197-50	2SB1197K Q,R
C2008	-----	(NU)	IC203	051-3408-90	BA2903FV	Q111	192-4081-00	2SC4081
C2009	-----	(NU)	IC205	051-3364-90	NJU7771F15	Q112	103-2394-00	2SD2394
C2010	-----	(NU)	IC206	051-3364-90	NJU7771F15	Q113	125-2027-90	DTC143EUA
C2011	-----	(NU)	IC207	051-3543-90	BD33KA5WFP-E2	Q114	190-1736-00	2SA1736
C2012	-----	(NU)	IC301	051-5423-38	BD5329G-TR	Q115	125-2027-91	DTC114EUA
C2013	-----	(NU)	IC302	-----	BR93L86REV-W E2	Q116	125-0021-92	DTA124EUA
C2014	-----	(NU)			(Software should be written on production) (942390-051)	Q117	192-5810-00	2SC5810 TE12L
C2015	-----	(NU)				Q118	192-5810-00	2SC5810 TE12L
C2016	-----	(NU)				Q119	125-2027-91	DTC114EUA
C2017	-----	(NU)	IC303	-----	UPD70F3340GC-8EA	Q120	125-0021-91	DTA114EUA
C2028	-----	(NU)			-A	Q121	103-2394-00	2SD2394
C2029	-----	(NU)			(FLASH UCOM)	Q122	103-2394-00	2SD2394
C2030	-----	(NU)			(Software should be written on production) (032900-052)	Q123	125-2027-91	DTC114EUA
C2050	-----	(NU)				Q124	125-0021-91	DTA114EUA
C2051	-----	(NU)				Q125	125-2027-90	DTC143EUA
C2053	-----	(NU)	IC304	051-5811-90	L9637D	Q201	192-5810-00	2SC5810 TE12L
C3000	168-1042-78	16V 0.1uF K	IC401	-----	SAF7730HV/N317F	Q208	-----	(NU)
C3001	168-1042-78	16V 0.1uF K			(DSP-IC)	Q209	-----	(NU)
C4001	165-2253-65	50V 2.2uF			(Exposed die pad type)	Q210	192-4081-00	2SC4081
C4003	166-1511-50	150pF CH			(670630-051)	Q211	103-2394-00	2SD2394
C4004	166-1511-50	150pF CH				Q212	125-2027-91	DTA114EUA
CCT3000	050-0140-54	1/32W 1k ohm x4J	IC501	051-3057-90	BA4558RFV	Q213	125-0021-91	DTA114EUA
CCT3001	050-0140-53	1/32W 0 ohm x4J	IC502	051-3019-90	NJM2060V	Q301	125-2027-91	DTC114EUA
CCT3002	050-0140-53	1/32W 0 ohm x4J	IC503	051-3019-90	NJM2060V	Q302	125-0021-91	DTA114EUA
D101	001-2403-90	M1F60	IC504	051-2042-00	TA8275H	Q303	192-4081-00	2SC4081
D102	001-2403-90	M1F60	J202	074-1168-14	14P	Q304	192-4081-00	2SC4081
D103	001-0516-90	MA111	J203	074-4017-12	12P	Q306	192-2712-00	2SC2712

REF No.	PART No.	DESCRIPTION	REF No.	PART No.	DESCRIPTION	REF No.	PART No.	DESCRIPTION
Q401	125-7005-90	PHK04P02T	R159	-----	(NU)	R345	119-3331-15	1/10W 33k ohm
Q501	125-2027-91	DTC114EUA	R201	116-1211-15	1/4W 120 ohm	R346	119-1031-15	1/10W 10k ohm
Q502	125-0021-91	DTA114EUA	R202	119-1031-15	1/10W 10k ohm	R347	119-1031-15	1/10W 10k ohm
Q503	-----	(NU)	R203	119-3321-15	1/10W 3.3k ohm	R348	-----	(NU)
Q504	-----	(NU)	R204	116-6801-15	1/4W 68 ohm	R349	119-1011-15	1/10W 100 ohm
Q505	-----	(NU)	R205	116-1011-15	1/4W 100 ohm	R350	119-1011-15	1/10W 100 ohm
Q506	-----	(NU)	R206	116-1011-15	1/4W 100 ohm	R355	-----	(NU)
Q507	-----	(NU)	R207	-----	(NU)	R356	119-1031-15	1/10W 10k ohm
Q508	-----	(NU)	R212	119-4721-15	1/10W 4.7k ohm	R357	119-1031-15	1/10W 10k ohm
Q509	125-2027-91	DTC114EUA	R213	119-4721-15	1/10W 4.7k ohm	R359	119-4731-15	1/10W 47k ohm
Q1001	190-1052-03	2SA1052 C	R215	032-0209-50	1/4W 82 ohm D	R360	119-4731-15	1/10W 47k ohm
Q1005	192-5810-00	2SC5810 TE12L	R217	032-0140-72	1/10W 470 ohm F	R361	119-4731-15	1/10W 47k ohm
Q2000	192-4081-00	2SC4081	R223	119-5641-15	1/10W 560k ohm	R362	119-4731-15	1/10W 47k ohm
Q2001	192-4081-00	2SC4081	R225	119-1021-15	1/10W 1k ohm	R363	119-1031-15	1/10W 10k ohm
Q2002	192-4081-00	2SC4081	R226	119-4721-15	1/10W 4.7k ohm	R364	119-1031-15	1/10W 10k ohm
Q2003	-----	(NU)	R229	119-1031-15	1/10W 10k ohm	R366	119-1031-15	1/10W 10k ohm
R101	119-2221-15	1/10W 2.2k ohm	R230	119-1031-15	1/10W 10k ohm	R367	119-3321-15	1/10W 3.3k ohm
R102	119-1031-15	1/10W 10k ohm	R233	119-3331-15	1/10W 33k ohm	R370	119-1041-15	1/10W 100k ohm
R103	-----	(NU)	R234	116-1021-15	1/4W 1k ohm	R372	119-1041-15	1/10W 100k ohm
R104	119-1521-15	1/10W 1.5k ohm	R239	119-1031-15	1/10W 10k ohm	R378	119-0000-05	1/10W 0 ohm JW
R105	119-1031-15	1/10W 10k ohm	R240	119-3331-15	1/10W 33k ohm	R379	119-0000-05	1/10W 0 ohm JW
R106	116-1521-15	1/4W 1.5k ohm	R241	119-3321-15	1/10W 3.3k ohm	R380	119-3331-15	1/10W 33k ohm
R107	119-1031-15	1/10W 10k ohm	R242	119-1031-15	1/10W 10k ohm	R381	119-4721-15	1/10W 4.7k ohm
R108	116-0000-05	1/4W 0 ohm JW	R243	119-3321-15	1/10W 3.3k ohm	R382	119-3331-15	1/10W 33k ohm
R109	116-0000-05	1/4W 0 ohm JW	R244	-----	(NU)	R383	119-3331-15	1/10W 33k ohm
R110	-----	(NU)	R245	119-3331-15	1/10W 33k ohm	R384	116-0000-05	1/4W 0 ohm JW
R111	-----	(NU)	R246	119-1031-15	1/10W 10k ohm	R386	119-3331-15	1/10W 33k ohm
R112	119-4731-15	1/10W 47k ohm	R247	-----	(NU)	R387	119-1031-15	1/10W 10k ohm
R113	-----	(NU)	R248	119-3331-15	1/10W 33k ohm	R396	-----	(NU)
R114	-----	(NU)	R249	-----	(NU)	R397	-----	(NU)
R115	119-1041-15	1/10W 100k ohm	R250	119-1031-15	1/10W 10k ohm	R398	-----	(NU)
R116	-----	(NU)	R251	116-6811-15	1/4W 680 ohm	R399	119-4721-15	1/10W 4.7k ohm
R117	-----	(NU)	R271	119-4731-15	1/10W 47k ohm	R400	-----	(NU)
R118	119-0000-05	1/10W 0 ohm JW	R272	119-4731-15	1/10W 47k ohm	R401	032-0140-52	1/10W 33k ohm F
R119	117-3921-15	1/8W 3.9k ohm	R301	119-1031-15	1/10W 10k ohm	R402	032-0140-52	1/10W 33k ohm F
R120	119-1011-15	1/10W 100 ohm			(for PH3084HC)	R403	119-3331-15	1/10W 33k ohm
R121	119-1521-15	1/10W 1.5k ohm	R302	119-1031-15	1/10W 10k ohm	R404	119-3331-15	1/10W 33k ohm
R122	119-6821-15	1/10W 6.8k ohm	R303	119-1031-15	1/10W 10k ohm	R405	032-0140-52	1/10W 33k ohm F
R123	119-6821-15	1/10W 6.8k ohm			(for PH3084HE)	R406	032-0140-52	1/10W 33k ohm F
R124	119-1011-15	1/10W 100 ohm	R304	119-1031-15	1/10W 10k ohm	R407	032-0140-52	1/10W 33k ohm F
R125	119-1031-15	1/10W 10k ohm			(for PH3084HD/E)	R408	032-0140-52	1/10W 33k ohm F
R126	119-1011-15	1/10W 100 ohm	R305	119-1041-15	1/10W 100k ohm	R409	119-1031-15	1/10W 10k ohm
R127	119-1031-15	1/10W 10k ohm	R309	119-3331-15	1/10W 33k ohm	R410	119-1031-15	1/10W 10k ohm
R128	119-1011-15	1/10W 100 ohm	R310	119-3331-15	1/10W 33k ohm	R411	119-1031-15	1/10W 10k ohm
R129	119-1011-15	1/10W 100 ohm	R311	119-3331-15	1/10W 33k ohm	R412	119-1031-15	1/10W 10k ohm
R130	119-1011-15	1/10W 100 ohm	R312	119-3331-15	1/10W 33k ohm	R413	119-1031-15	1/10W 10k ohm
R131	116-5691-15	1/4W 5.6 ohm	R317	119-4731-15	1/10W 47k ohm	R414	119-1021-15	1/10W 1k ohm
R132	119-1011-15	1/10W 100 ohm	R318	-----	(NU)	R415	-----	(NU)
R133	-----	(NU)	R319	119-3331-15	1/10W 33k ohm	R416	119-0000-05	1/10W 0 ohm JW
R134	117-2721-15	1/8W 2.7k ohm	R320	-----	(NU)	R417	119-1031-15	1/10W 10k ohm
R135	116-0000-05	1/4W 0 ohm JW	R321	119-2241-15	1/10W 220k ohm	R418	119-1031-15	1/10W 10k ohm
R136	-----	(NU)	R322	119-3331-15	1/10W 33k ohm	R419	119-5631-15	1/10W 56k ohm
R137	119-0000-05	1/10W 0 ohm JW	R323	119-1021-15	1/10W 1k ohm	R420	119-5631-15	1/10W 56k ohm
R138	119-1031-15	1/10W 10k ohm	R324	119-3331-15	1/10W 33k ohm	R421	119-5631-15	1/10W 56k ohm
R139	-----	(NU)	R325	119-3331-15	1/10W 33k ohm	R422	119-0000-05	1/10W 0 ohm JW
R140	116-2291-15	1/4W 2.2 ohm	R326	119-3331-15	1/10W 33k ohm	R423	119-5631-15	1/10W 56k ohm
R141	116-2291-15	1/4W 2.2 ohm	R327	119-3331-15	1/10W 33k ohm	R424	119-0000-05	1/10W 0 ohm JW
R142	116-1021-15	1/4W 1k ohm	R328	119-5611-15	1/10W 560 ohm	R425	119-1001-15	1/10W 10 ohm
R143	116-6811-15	1/4W 680 ohm	R329	119-3331-15	1/10W 33k ohm	R426	-----	(NU)
R144	119-3321-15	1/10W 3.3k ohm	R330	119-1031-15	1/10W 10k ohm	R427	-----	(NU)
R145	119-1031-15	1/10W 10k ohm	R331	119-3331-15	1/10W 33k ohm	R428	032-0140-52	1/10W 33k ohm F
R146	119-1031-15	1/10W 10k ohm	R332	119-6831-15	1/10W 68k ohm	R429	032-0140-52	1/10W 33k ohm F
R147	119-4791-15	1/10W 4.7 ohm	R333	119-6831-15	1/10W 68k ohm	R430	032-0140-52	1/10W 33k ohm F
R148	119-1031-15	1/10W 10k ohm	R334	119-2241-15	1/10W 220k ohm	R431	032-0140-52	1/10W 33k ohm F
R149	119-4791-15	1/10W 4.7 ohm	R335	119-1021-15	1/10W 1k ohm	R433	119-1031-15	1/10W 10k ohm
R150	116-1221-15	1/4W 1.2k ohm	R336	119-4731-15	1/10W 47k ohm	R434	119-1031-15	1/10W 10k ohm
R151	116-1221-15	1/4W 1.2k ohm	R337	119-3331-15	1/10W 33k ohm	R435	119-1011-15	1/10W 100 ohm
R152	116-1221-15	1/4W 1.2k ohm	R338	119-1021-15	1/10W 1k ohm	R436	119-1011-15	1/10W 100 ohm
R153	116-1221-15	1/4W 1.2k ohm	R339	119-3331-15	1/10W 33k ohm	R437	119-0000-05	1/10W 0 ohm JW
R154	116-0000-05	1/4W 0 ohm JW	R340	119-3331-15	1/10W 33k ohm	R438	119-1011-15	1/10W 10k ohm
R155	116-3011-15	1/4W 300 ohm	R341	119-3331-15	1/10W 33k ohm	R439	119-1011-15	1/10W 100 ohm
R156	116-3011-15	1/4W 300 ohm	R342	119-4731-15	1/10W 47k ohm	R440	119-1011-15	1/10W 100 ohm
R157	116-3011-15	1/4W 300 ohm	R343	119-1011-15	1/10W 100 ohm	R441	119-1021-15	1/10W 1k ohm
R158	116-3011-15	1/4W 300 ohm	R344	119-1011-15	1/10W 100 ohm	R442	119-1021-15	1/10W 1k ohm

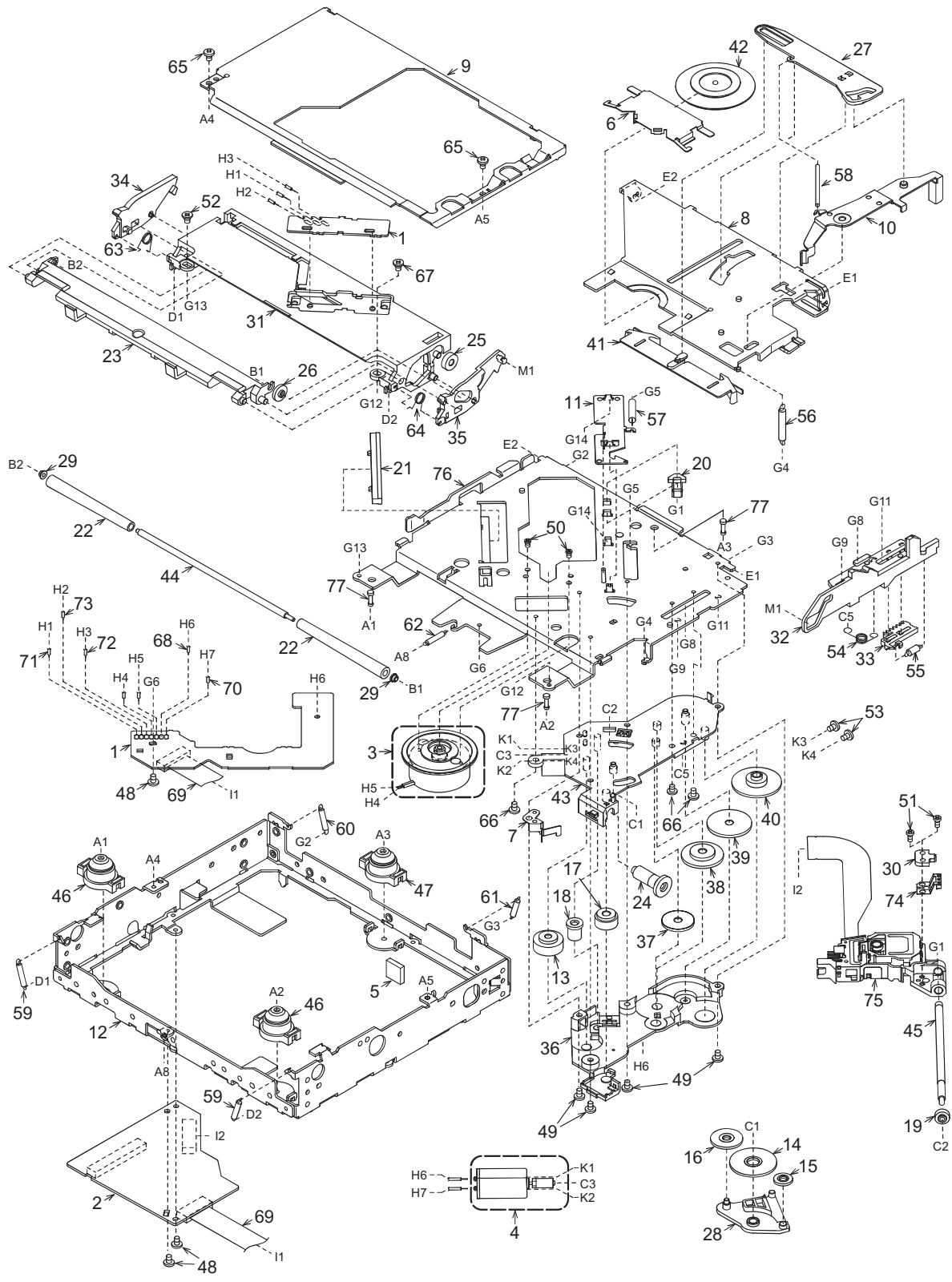
REF No.	PART No.	DESCRIPTION	REF No.	PART No.	DESCRIPTION	REF No.	PART No.	DESCRIPTION
R443	119-0000-05	1/10W 0 ohm JW	R540	-----	(NU)	R2033	-----	(NU)
R444	119-1031-15	1/10W 10k ohm	R541	119-2221-15	1/10W 2.2k ohm	R2034	119-0000-05	1/10W 0 ohm JW
R445	119-0000-05	1/10W 0 ohm JW	R542	119-2221-15	1/10W 2.2k ohm	R2036	-----	(NU)
R446	119-1031-15	1/10W 10k ohm	R543	119-2221-15	1/10W 2.2k ohm	R2039	119-0000-05	1/10W 0 ohm JW
R447	119-0000-05	1/10W 0 ohm JW	R544	119-2221-15	1/10W 2.2k ohm	R2019	119-0000-05	1/10W 0 ohm JW
R448	119-1001-15	1/10W 10 ohm	R545	119-1041-15	1/10W 100k ohm	R2040	-----	(NU)
R449	-----	(NU)	R546	119-3321-15	1/10W 3.3k ohm	R2042	119-0000-05	1/10W 0 ohm JW
R450	119-1011-15	1/10W 100 ohm	R547	119-1041-15	1/10W 100k ohm	R2047	119-0000-05	1/10W 0 ohm JW
R451	119-0000-05	1/10W 0 ohm JW	R548	117-0000-05	1/8W 0 ohm JW	R2050	119-0000-05	1/10W 0 ohm JW
R471	119-2201-15	1/10W 22 ohm	R549	119-1041-15	1/10W 100k ohm	R2051	119-0000-05	1/10W 0 ohm JW
R501	119-1021-15	1/10W 1k ohm	R550	119-1041-15	1/10W 100k ohm	R2052	119-0000-05	1/10W 0 ohm JW
R502	119-1021-15	1/10W 1k ohm	R551	116-1031-15	1/4W 10k ohm	R2053	119-0000-05	1/10W 0 ohm JW
R503	119-1021-15	1/10W 1k ohm	R552	119-4721-15	1/10W 4.7k ohm	R2054	119-0000-05	1/10W 0 ohm JW
R504	119-1021-15	1/10W 1k ohm	R1001	119-1031-15	1/10W 10k ohm	R2055	119-0000-05	1/10W 0 ohm JW
R505	119-4731-15	1/10W 47k ohm	R1002	119-1021-15	1/10W 1k ohm	R2056	119-0000-05	1/10W 0 ohm JW
R506	119-4731-15	1/10W 47k ohm	R1005	-----	(NU)	R3001	119-3331-15	1/10W 33k ohm
R507	119-4731-15	1/10W 47k ohm	R1015	-----	(NU)	R3002	119-3331-15	1/10W 33k ohm
R508	119-4731-15	1/10W 47k ohm	R2000	119-1031-15	1/10W 10k ohm	R3003	119-1021-15	1/10W 1k ohm
R509	119-0000-05	1/10W 0 ohm JW	R2001	119-1031-15	1/10W 10k ohm	R3020	119-0000-05	1/10W 0 ohm JW
R510	119-0000-05	1/10W 0 ohm JW	R2002	119-4731-15	1/10W 47k ohm	R3021	119-0000-05	1/10W 0 ohm JW
R511	119-0000-05	1/10W 0 ohm JW	R2003	119-2231-15	1/10W 22k ohm	R3022	119-0000-05	1/10W 0 ohm JW
R512	119-0000-05	1/10W 0 ohm JW	R2004	119-1031-15	1/10W 10k ohm	R3023	119-0000-05	1/10W 0 ohm JW
R513	119-6821-15	1/10W 6.8k ohm	R2005	119-1031-15	1/10W 10k ohm	R3024	119-0000-05	1/10W 0 ohm JW
R514	119-6821-15	1/10W 6.8k ohm	R2006	119-0000-05	1/10W 0 ohm JW	R4000	032-0140-52	1/10W 33k ohm F
R515	119-6821-15	1/10W 6.8k ohm	R2007	116-4721-15	1/4W 4.7k ohm	R4001	032-0140-52	1/10W 33k ohm F
R516	119-6821-15	1/10W 6.8k ohm	R2008	119-1031-15	1/10W 10k ohm	R4002	032-0140-52	1/10W 33k ohm F
R517	119-6821-15	1/10W 6.8k ohm	R2009	116-1011-15	1/4W 100 ohm	R4003	032-0140-52	1/10W 33k ohm F
R518	119-6821-15	1/10W 6.8k ohm	R2010	119-1031-15	1/10W 10k ohm	R4004	032-0140-52	1/10W 33k ohm F
R519	119-1031-15	1/10W 10k ohm	R2011	117-5621-15	1/8W 5.6k ohm	R4005	119-3931-15	1/10W 39k ohm
R520	-----	(NU)	R2012	119-1031-15	1/10W 10k ohm	R4006	119-3931-15	1/10W 39k ohm
R521	-----	(NU)	R2013	119-4731-15	1/10W 47k ohm	SUP101	060-0122-91	DSP-141N-S00B
R522	119-1031-15	1/10W 10k ohm	R2014	-----	(NU)	T501	009-0670-80	180uH
R523	119-1531-15	1/10W 15k ohm	R2015	-----	(NU)	T502	009-0670-80	180uH
R524	119-1531-15	1/10W 15k ohm	R2016	-----	(NU)	TC301	004-1583-52	20pF RED
R525	119-1031-15	1/10W 10k ohm	R2017	-----	(NU)	TH101	002-0318-21	THERMISTOR
R526	119-1031-15	1/10W 10k ohm	R2018	-----	(NU)	TH201	-----	(NU)
R527	-----	(NU)	R2020	119-0000-05	1/10W 0 ohm JW	TM101	073-0762-90	TERMINAL
R528	-----	(NU)	R2021	119-0000-05	1/10W 0 ohm JW	TM102	073-0762-90	TERMINAL
R529	119-0000-05	1/10W 0 ohm JW	R2022	119-0000-05	1/10W 0 ohm JW	TM103	073-0762-90	TERMINAL
R530	119-0000-05	1/10W 0 ohm JW	R2023	119-0000-05	1/10W 0 ohm JW	TM201	073-0762-90	TERMINAL
R531	119-0000-05	1/10W 0 ohm JW	R2024	119-0000-05	1/10W 0 ohm JW	TM202	073-0762-90	TERMINAL
R532	119-0000-05	1/10W 0 ohm JW	R2025	119-0000-05	1/10W 0 ohm JW	TM501	073-0762-90	TERMINAL
R533	119-1531-15	1/10W 15k ohm	R2026	119-0000-05	1/10W 0 ohm JW	X301	061-3560-90	3.145728MHz AT-41 CD2
R534	119-1531-15	1/10W 15k ohm	R2027	119-0000-05	1/10W 0 ohm JW	X401	061-3537-90	41.6MHz
R535	119-6821-15	1/10W 6.8k ohm	R2028	119-0000-05	1/10W 0 ohm JW	PWB	039-3346-00	PWB(WITHOUT COMPONENTS)
R536	119-6821-15	1/10W 6.8k ohm	R2029	-----	(NU)			
R537	119-4731-15	1/10W 47k ohm	R2030	-----	(NU)			
R538	119-4731-15	1/10W 47k ohm	R2031	119-0000-05	1/10W 0 ohm JW			
R539	-----	(NU)	R2032	-----	(NU)			

SW PWB(B2) section

REF No.	PART No.	DESCRIPTION	REF No.	PART No.	DESCRIPTION	REF No.	PART No.	DESCRIPTION
C600	166-1011-50	100pF CH	C651	166-1007-50	10pF CH	D609	001-7111-95	NHSB046A
C601	168-1042-78	16V 0.1uF K	C660	168-1042-78	16V 0.1uF K	D612	001-2630-90	1SS420-TPL3,F
C602	166-2201-50	22pF CH	C661	-----	(NU)	D613	001-2630-90	1SS420-TPL3,F
C603	166-1011-50	100pF CH	C662	-----	(NU)	D614	001-2630-90	1SS420-TPL3,F
C604	166-2201-50	22pF CH	C700	168-1022-55	1000pF K	D615	001-2630-90	1SS420-TPL3,F
C605	-----	(NU)	C701	168-1022-55	1000pF K	D616	001-2630-90	1SS420-TPL3,F
C606	166-1011-50	100pF CH	C702	168-4732-78	0.047uF K	D617	001-7111-96	NHSB046A
C607	-----	(NU)	C703	168-4732-78	0.047uF K	D618	001-7111-96	NHSB046A
C608	168-1042-78	16V 0.1uF K	C704	168-4732-78	0.047uF K	D621	001-7111-96	NHSB046A
C609	168-1022-55	1000pF K	C705	168-4732-78	0.047uF K	D622	001-7111-96	NHSB046A
C610	-----	(NU)	C706	168-4732-78	0.047uF K	D625	001-2630-90	1SS420-TPL3,F
C611	-----	(NU)	C707	-----	(NU)	D626	001-2630-90	1SS420-TPL3,F
C612	-----	(NU)	C708	-----	(NU)	D627	001-2630-90	1SS420-TPL3,F
C613	-----	(NU)	C709	168-4732-78	0.047uF K	D628	001-2630-90	1SS420-TPL3,F
C614	-----	(NU)	C710	-----	(NU)	D629	001-2630-90	1SS420-TPL3,F
C615	-----	(NU)	C711	-----	(NU)	D630	001-7111-95	NHSB046A
C616	-----	(NU)	D600	001-7111-95	NHSB046A	D631	001-7111-95	NHSB046A
C617	-----	(NU)	D601	001-7111-95	NHSB046A	D634	001-2630-90	1SS420-TPL3,F
C630	166-2201-50	22pF CH	D604	001-7111-95	NHSB046A	D635	001-2630-90	1SS420-TPL3,F
C649	-----	(NU)	D605	001-7111-95	NHSB046A	D636	001-2630-90	1SS420-TPL3,F
C650	166-1007-50	10pF CH	D608	001-7111-95	NHSB046A	D637	001-2630-90	1SS420-TPL3,F

REF No.	PART No.	DESCRIPTION	REF No.	PART No.	DESCRIPTION	REF No.	PART No.	DESCRIPTION
D638	001-2630-90	1SS420-TPL3,F	L701	010-3105-62	1k ohm/100MHZ	R664	-----	(NU)
D639	001-7063-95	RBR1102W D,E (RE D)	P600	-----	(NU)	R665	-----	(NU)
D640	001-7103-91	CL-191S-MG-D-T(GRN)	P601	076-3011-56	6P	R670	119-0000-05	1/10W 0 ohm JW
D641	001-0529-36	MA8062-H	Q600	192-4081-00	2SC4081	R671	-----	(NU)
D642	001-2630-90	1SS420-TPL3,F	Q601	192-4081-00	2SC4081	R672	-----	(NU)
D643	001-2630-90	1SS420-TPL3,F	Q602	-----	(NU)	R673	-----	(NU)
D644	001-2630-90	1SS420-TPL3,F	Q603	-----	(NU)	R674	-----	(NU)
D645	001-2630-90	1SS420-TPL3,F	Q604	-----	(NU)	R675	-----	(NU)
D646	001-2630-90	1SS420-TPL3,F	Q605	-----	(NU)	R676	-----	(NU)
D647	-----	(NU)	Q606	-----	(NU)	R677	-----	(NU)
D648	-----	(NU)	Q607	-----	(NU)	R678	-----	(NU)
D649	-----	(NU)	R600	119-1011-15	1/10W 100 ohm	R691	-----	(NU)
D650	-----	(NU)	R601	119-1011-15	1/10W 100 ohm	R692	119-0000-05	1/10W 0 ohm JW
D651	001-9210-50	AVR-M1608C270MTA AD	R602	119-1011-15	1/10W 100 ohm	R700	119-2211-15	1/10W 220 ohm
D652	001-9210-50	AVR-M1608C270MTA AD	R603	119-1011-15	1/10W 100 ohm	R701	119-2211-15	1/10W 220 ohm
D653	001-9210-50	AVR-M1608C270MTA AD	R604	119-1011-15	1/10W 100 ohm	R702	119-2211-15	1/10W 220 ohm
D654	001-9210-50	AVR-M1608C270MTA AD	R605	119-1011-15	1/10W 100 ohm	R703	119-2211-15	1/10W 220 ohm
D655	001-9210-50	AVR-M1608C270MTA AD	R606	119-1011-15	1/10W 100 ohm	R704	119-2211-15	1/10W 220 ohm
D660	001-7111-97	NHSB046A	R607	119-1011-15	1/10W 100 ohm	R705	119-2211-15	1/10W 220 ohm
D670	001-9210-50	AVR-M1608C270MTA AD	R608	119-1011-15	1/10W 100 ohm	R706	119-0000-05	1/10W 0 ohm JW
D671	001-9210-50	AVR-M1608C270MTA AD	R609	116-6811-15	1/4W 680 ohm	R707	119-0000-05	1/10W 0 ohm JW
D672	001-9210-50	AVR-M1608C270MTA AD	R610	119-2211-15	1/10W 220 ohm	R708	119-0000-05	1/10W 0 ohm JW
D673	001-9210-50	AVR-M1608C270MTA AD	R611	116-6811-15	1/4W 680 ohm	R709	119-4721-15	1/10W 4.7k ohm
D674	-----	(NU)	R612	119-2211-15	1/10W 220 ohm	R710	119-2731-15	1/10W 27k ohm
D675	-----	(NU)	R613	116-1021-15	1/4W 1k ohm	R711	119-2731-15	1/10W 27k ohm
D676	-----	(NU)	R614	119-2211-15	1/10W 220 ohm	R712	119-0000-05	1/10W 0 ohm JW
D700	001-7110-92	NESB064EE5TKMLP 4LP7	R615	116-6811-15	1/4W 680 ohm	R713	119-0000-05	1/10W 0 ohm JW
D701	001-7110-92	NESB064EE5TKMLP 4LP7	R616	119-2211-15	1/10W 220 ohm	R714	119-0000-05	1/10W 0 ohm JW
D702	001-7110-92	NESB064EE5TKMLP 4LP7	R617	116-6811-15	1/4W 680 ohm	R715	119-0000-05	1/10W 0 ohm JW
D703	001-7110-92	NESB064EE5TKMLP 4LP7	R619	116-1021-15	1/4W 1k ohm	R716	119-0000-05	1/10W 0 ohm JW
D704	001-7110-92	NESB064EE5TKMLP 4LP7	R621	119-2221-15	1/10W 2.2k ohm	R717	119-0000-05	1/10W 0 ohm JW
D705	001-7110-92	NESB064EE5TKMLP 4LP7	R622	119-3321-15	1/10W 3.3k ohm	R718	119-0000-05	1/10W 0 ohm JW
D706	001-7110-92	NESB064EE5TKMLP 4LP7	R623	119-1811-15	1/10W 180 ohm	R719	119-0000-05	1/10W 0 ohm JW
D707	001-7110-92	NESB064EE5TKMLP 4LP7	R624	119-1031-15	1/10W 10k ohm	R720	119-0000-05	1/10W 0 ohm JW
D708	001-7110-92	NESB064EE5TKMLP 4LP7	R625	119-1031-15	1/10W 10k ohm	R721	119-0000-05	1/10W 0 ohm JW
D709	001-7110-92	NESB064EE5TKMLP 4LP7	R626	119-1031-15	1/10W 10k ohm	R723	116-1011-15	1/4W 100 ohm
IC103	051-7239-08	TC74VHCT08AFT-EL	R627	116-1021-15	1/4W 1k ohm	R724	116-1011-15	1/4W 100 ohm
IC700	051-6047-00	LC75804W	R628	119-1031-15	1/10W 10k ohm	R725	116-1011-15	1/4W 100 ohm
IC701	051-6047-00	LC75804W	R629	-----	(NU)	R726	116-1011-15	1/4W 100 ohm
J600	074-2229-26	26P	R630	-----	(NU)	R727	116-1011-15	1/4W 100 ohm
J601	-----	(NU)	R631	119-0000-05	1/10W 0 ohm JW	S600	013-6201-53	SKPMAPE010
J602	074-3014-56	6P	R632	119-0000-05	1/10W 0 ohm JW	S601	013-6201-53	SKPMAPE010
J604	076-6000-56	6P	R633	119-0000-05	1/10W 0 ohm JW	S602	013-6201-53	SKPMAPE010
J605	074-3014-76	26P	R634	119-0000-05	1/10W 0 ohm JW	S603	013-6201-53	SKPMAPE010
J606	074-3014-62	12P	R636	-----	(NU)	S604	013-6201-53	SKPMAPE010
J608	075-0306-00	JACK	R637	-----	(NU)	S605	013-6201-53	SKPMAPE010
J700	074-2229-26	26P	R639	119-0000-05	1/10W 0 ohm JW	S606	013-6201-53	SKPMAPE010
			R640	119-0000-05	1/10W 0 ohm JW	S607	013-6201-53	SKPMAPE010
			R641	119-0000-05	1/10W 0 ohm JW	S608	013-6201-53	SKPMAPE010
			R642	119-0000-05	1/10W 0 ohm JW	S609	013-6206-50	SKPMANE010
			R643	119-0000-05	1/10W 0 ohm JW	S610	013-6206-50	SKPMANE010
			R644	119-0000-05	1/10W 0 ohm JW	S611	013-6206-50	SKPMANE010
			R645	119-0000-05	1/10W 0 ohm JW	S612	013-6201-53	SKPMAPE010
			R646	119-0000-05	1/10W 0 ohm JW	S613	013-6201-53	SKPMAPE010
			R647	119-8211-15	1/10W 820 ohm	S614	013-6206-50	SKPMANE010
			R648	119-8211-15	1/10W 820 ohm	S615	013-6206-50	SKPMANE010
			R649	119-8211-15	1/10W 820 ohm	S616	013-6206-50	SKPMANE010
			R650	119-8211-15	1/10W 820 ohm	S617	013-6201-53	SKPMAPE010
			R651	119-0000-05	1/10W 0 ohm JW	S618	013-6206-50	SKPMANE010
			R652	119-0000-05	1/10W 0 ohm JW	S619	013-6206-50	SKPMANE010
			R653	-----	(NU)	S620	013-6207-50	SKPMAQE010
			R654	-----	(NU)	S650	016-7004-00	ROTARY SWITCH
			R655	-----	(NU)	TM600	-----	(NU)
			R656	-----	(NU)	TM601	-----	(NU)
			R660	116-1521-15	1/4W 1.5k ohm	TM602	073-0786-90	TERMINAL
			R661	-----	(NU)	TM603	073-0786-90	TERMINAL
			R662	-----	(NU)	PWB	039-3347-10	PWB(WITHOUT COMPONENTS)
			R663	-----	(NU)			

# EXPLODED VIEW / PARTS LIST



NO.	PART NO.	DESCRIPTION	Q'TY
1	-----	SENSOR PWB	1
2	-----	CD PWB	1
3	SMA-200-100	SPINDLE MOTOR-ASSY	1
4	SMA-183-100	SLED MOTOR-ASSY	1
5	345-5476-20	CUSHION RUBBER	1
6	620-1023-23	CLAMPER PLATE	1
7	620-1026-21	SPRING PLATE	1
8	620-1596-23	CLAMPER LINK	1
9	620-1862-20	UPPER CHASSIS	1
10	620-1752-20	SENSOR ARM	1
11	620-1753-20	ID-LOCK PLATE	1
12	620-1868-20	LOWER CHASSIS	1
13	621-0608-21	SECOND GEAR	1
14	621-0609-20	BASE GEAR	1
15	621-0610-20	IDLE GEAR A	1
16	621-0611-20	IDLE GEAR B	1
17	621-0612-21	ROLLER GEAR A	1
18	621-0620-20	THREAD GEAR A	1
19	621-0621-20	THREAD GEAR B	1
20	621-0623-23	LS-HOLDER	1
21	621-0624-22	GUIDE RAIL	1
22	621-0711-21	LOADING ROLLER	2
23	621-0718-21	ROLLER GUIDE	1
24	621-0719-20	ROLLER GEAR B	1
25	621-0720-20	ROLLER GEAR C	1
26	621-0721-20	ROLLER GEAR D	1
27	621-0728-20	STOPPER LINK	1
28	621-1719-20	IDLE CASE	1
29	621-1726-20	ROLLER SLEEVE	2
30	621-1729-20	SH-BASE	1
31	621-1742-20	UPPER GUIDE	1
32	621-1743-20	SHIFT LEVER	1
33	621-1744-20	RACK	1
34	621-1745-20	LOCK ARM L	1
35	621-1746-20	LOCK ARM R	1
36	621-1747-20	GEAR COVER	1
37	621-1748-20	POWER GEAR A	1
38	621-1749-20	POWER GEAR B	1
39	621-1750-20	POWER GEAR C	1

NO.	PART NO.	DESCRIPTION	Q'TY
40	621-1751-20	POWER GEAR D	1
41	621-1752-20	DISC STOPPER	1
42	621-1753-20	CLAMPER RING	1
43	621-1754-20	GEAR BASE	1
44	622-1571-21	ROLLER SHAFT	1
45	624-3059-00	LEAD SCREW	1
46	629-0086-20	DAMPER F	2
47	629-0087-20	DAMPER R	1
48	716-1507-01	SCREW(M2x3)	3
49	716-1670-01	SCREW(M2x4)	4
50	716-1733-01	SCREW(M1.7x2.3)	2
51	716-3469-01	SCREW(1.7x4)	2
52	716-3473-01	SCREW(M2x3)	1
53	716-3551-00	SCREW(M1.4x2.5)	2
54	750-7865-20	SHIFT SPRING	1
55	750-7866-20	RACK SPRING	1
56	750-7867-20	CLAMPER SPRING	1
57	750-7868-20	ID-LOCK SPRING	1
58	750-7869-20	SENSOR SPRING	1
59	750-7870-20	DR-SPRING F	2
60	750-7871-20	DR-SPRING RA	1
61	750-7872-20	DR-SPRING RB	1
62	750-7873-20	DR-SPRING C	1
63	750-6797-20	ROLLER SPRING L	1
64	750-6798-20	ROLLER SPRING R	1
65	714-2003-8B	SCREW(M2x3)	2
66	780-2025-00	SCREW(M2x2.5)	3
67	781-1730-00	SCREW(M1.7x3)	1
68	803-4906-60	VINYL-COAT-WIRE(ORG)	1
69	816-2624-55	FLAT WIRE	1
70	816-2590-00	VINYL-COAT-WIRE(GRN)	1
71	816-2591-00	VINYL-COAT-WIRE(YEL)	1
72	816-2592-00	VINYL-COAT-WIRE(BLUE)	1
73	816-2593-00	VINYL-COAT-WIRE(PUR)	1
74	966-1722-20	SH-RACK-ASSY	1
75	969-0075-31	PICKUP-ASSY	1
76	620-1867-20	DRIVE-PLTATE	1
77	622-1570-21	DAMPER PIN	3

# ELECTRICAL PARTS LIST

## CD PWB(BM1) section

REF No.	PART No.	DESCRIPTION	REF No.	PART No.	DESCRIPTION	REF No.	PART No.	DESCRIPTION
C2	178-1052-78	1uF	C55	168-1042-78	16V 0.1uF K	R25	119-1041-15	1/10W 100k ohm
C3	165-1073-35	16V 100uF	C56	168-1042-78	16V 0.1uF K	R26	119-0000-05	1/10W 0 ohm JW
C4	168-1042-78	16V 0.1uF K	C59	166-4701-50	47pF CH	R27	119-4731-15	1/10W 47k ohm
C6	178-1052-78	1uF	C60	168-1042-78	16V 0.1uF K	R29	119-5621-15	1/10W 5.6k ohm
C7	042-0560-85	6.3V 100uF	C78	119-0000-05	1/10W 0 ohm JW	R30	119-2231-15	1/10W 22k ohm
C8	178-1052-78	1uF	C117	166-6801-50	68pF CH	R31	119-4731-15	1/10W 47k ohm
C9	166-4711-50	470pF CH	C118	166-6801-50	68pF CH	R32	119-3341-15	1/10W 330k ohm
C10	168-4732-78	0.047uF K	C120	166-1007-50	10pF CH	R33	119-1041-15	1/10W 100k ohm
C11	166-4711-50	470pF CH	C121	166-1007-50	10pF CH	R34	119-1041-15	1/10W 100k ohm
C12	168-4732-78	0.047uF K	C122	166-1007-50	10pF CH	R35	119-1041-15	1/10W 100k ohm
C14	168-1042-78	16V 0.1uF K	C123	166-1007-50	10pF CH	R38	119-1041-15	1/10W 100k ohm
C15	166-1007-50	10pF CH	C124	166-5601-50	56pF CH	R39	119-0000-05	1/10W 0 ohm JW
C16	166-1007-50	10pF CH	C125	166-5601-50	56pF CH	R50	119-0000-05	1/10W 0 ohm JW
C17	168-1042-78	16V 0.1uF K	C126	166-5601-50	56pF CH	R64	119-1051-15	1/10W IM ohm
C18	168-2222-55	2200pF K	CCT100	050-0140-52	1/32W 100 ohm x4J	R70	119-0000-05	1/10W 0 ohm JW
C19	168-1042-78	16V 0.1uF K	D152	001-9210-50	AVR-M1608C270MT AAD	R71	119-0000-05	1/10W 0 ohm JW
C20	168-1042-78	16V 0.1uF K	IC1	051-6733-30	TC94A73MFG201	R100	119-0000-05	1/10W 0 ohm JW
C22	168-6822-55	6800pF K	IC2	051-6709-80	BA5830FM	R101	119-0000-05	1/10W 0 ohm JW
C24	168-3332-78	0.033uF K	J1	074-2215-65	SOCKET (15P)	R102	119-0000-05	1/10W 0 ohm JW
C25	168-3332-78	0.033uF K	J2	074-2215-60	SOCKET (10P)	R103	119-0000-05	1/10W 0 ohm JW
C26	168-1042-78	16V 0.1uF	L1	010-3105-69	MMZ1608S102	R104	119-0000-05	1/10W 0 ohm JW
C28	043-0570-90	16V 2.2uF K	P100	074-1323-90	SOCKET (40P)	R105	119-0000-05	1/10W 0 ohm JW
C31	043-0570-90	16V 2.2uF K	Q1	131-1188-50	2SB1188	R106	119-0000-05	1/10W 0 ohm JW
C33	168-1042-78	16V 0.1uF K	R1	119-2211-15	1/10W 220 ohm	R107	119-0000-05	1/10W 0 ohm JW
C34	168-1042-78	16V 0.1uF K	R2	117-6811-15	1/8W 680 ohm	R108	119-0000-05	1/10W 0 ohm JW
C36	168-1042-78	16V 0.1uF K	R4	119-1001-15	1/10W 10 ohm	R109	119-0000-05	1/10W 0 ohm JW
C37	168-5622-55	5600pF K	R5	119-2731-15	1/10W 27k ohm	R113	119-0000-05	1/10W 0 ohm JW
C38	166-6801-50	68pF CH	R6	119-2731-15	1/10W 27k ohm	R114	119-0000-05	1/10W 0 ohm JW
C39	168-1042-78	16V 0.1uF K	R7	119-2221-15	1/10W 2.2k ohm	R115	119-1011-15	1/10W 100 ohm
C40	168-1532-55	0.015uF K	R8	119-2731-15	1/10W 27k ohm	R116	119-1011-15	1/10W 100 ohm
C41	168-1042-78	16V 0.1uF K	R9	119-2731-15	1/10W 27k ohm	R117	119-1011-15	1/10W 100 ohm
C42	168-1032-55	0.01uF K	R10	119-1051-15	1/10W IM ohm	R118	119-1011-15	1/10W 100 ohm
C44	168-1042-78	16V 0.1uF K	R11	119-2211-15	1/10W 220 ohm	R119	119-1011-15	1/10W 100 ohm
C46	168-1522-55	1500pF K	R13	119-8231-15	1/10W 82k ohm	R120	119-0000-15	1/10W 0 ohm JW
C47	168-3322-55	3300pF K	R14	119-1531-15	1/10W 15k ohm	R121	119-3331-15	1/10W 33k ohm
C48	168-1032-55	0.01uF K	R15	119-8231-15	1/10W 82k ohm	TM1	073-0768-90	TERMINAL
C49	168-1042-78	16V 0.1uF K	R16	119-4731-15	1/10W 47k ohm	X1	061-3534-90	16.92MHz
C51	166-6801-50	68pF CH	R22	119-2231-15	1/10W 22k ohm	PWB	039-3348-00	PWB(WITHOUT COMPONENT)
C54	168-1532-55	0.015uF K						

## Sensor PWB(BM2) section

REF No.	PART No.	DESCRIPTION	REF No.	PART No.	DESCRIPTION	REF No.	PART No.	DESCRIPTION
D1	001-7058-90	AN1105W-RR	Q1	060-4015-91	PS1192HB	S2	013-7413-50	LIMIT
D2	001-7058-90	AN1105W-RR	Q2	060-4015-91	PS1192HB	PWB	039-2675-20	PWB(WITHOUT COMPONENT)
J1	074-2215-60	SOCKET (10P)	S1	013-7414-50	CHUCKING			