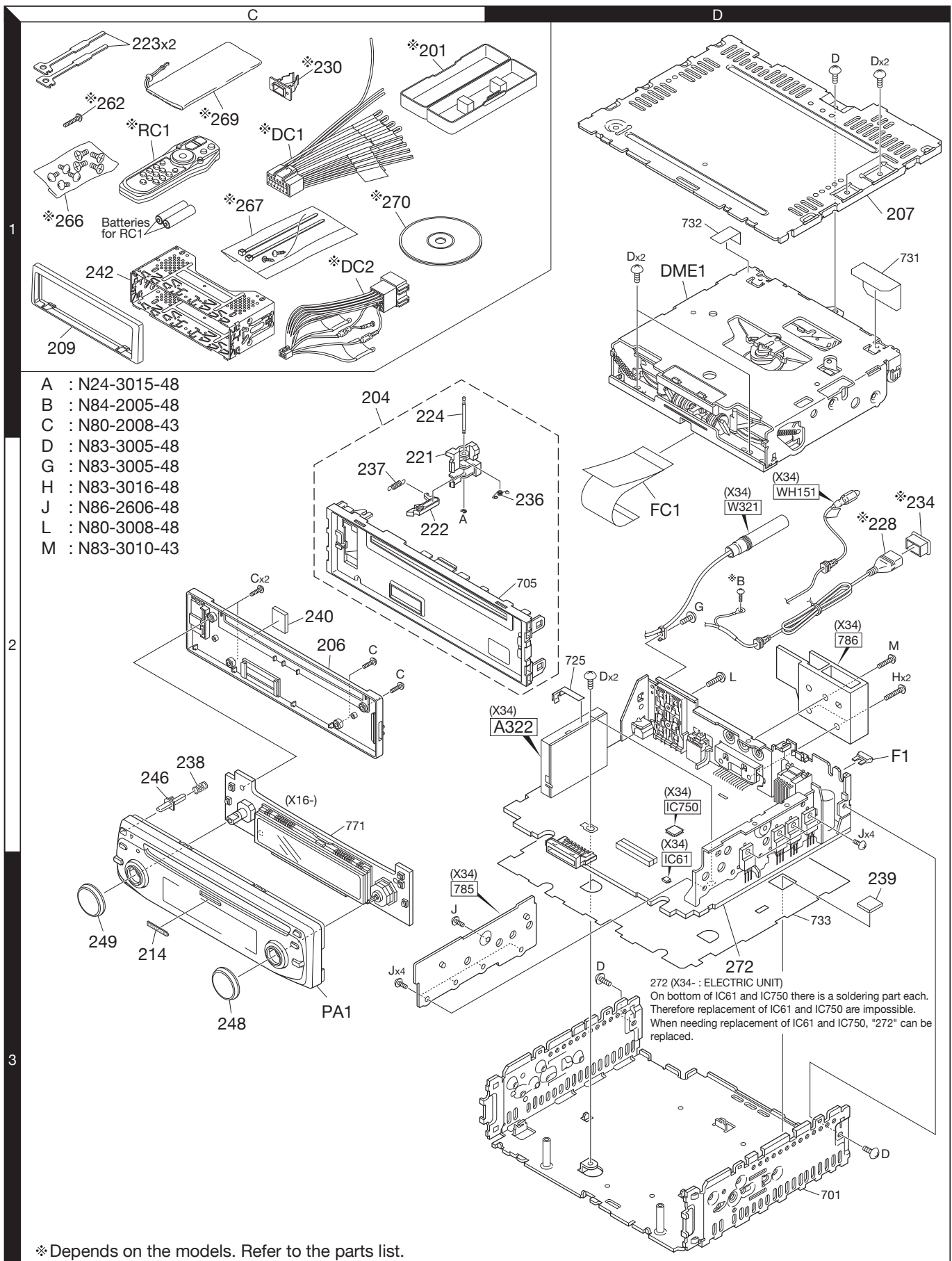




# EXPLODED VIEW (UNIT)



- A : N24-3015-48
- B : N84-2005-48
- C : N80-2008-43
- D : N83-3005-48
- G : N83-3005-48
- H : N83-3016-48
- J : N86-2606-48
- L : N80-3008-48
- M : N83-3010-43

272 (X34- : ELECTRIC UNIT)  
On bottom of IC61 and IC750 there is a soldering part each.  
Therefore replacement of IC61 and IC750 are possible.  
When needing replacement of IC61 and IC750, "272" can be replaced.

\* Depends on the models. Refer to the parts list.

Parts with the exploded numbers larger than 700 are not supplied.

# KDC-MP538U/MP6039/MP6539U/ W6041U/W6141UY/W6541U/W6641UY/X592 PARTS LIST

\* New parts

Parts without **Parts No.** are not supplied.

Les articles non mentionnés dans le **Parts No.** ne sont pas fournis.

Teile ohne **Parts No.** werden nicht geliefert.

Ref. No.	A d d	N e w	Parts No.	Description	Desti- nation
<b>KDC-MP538U/MP6039/MP6539U/ W6041U/W6141UY/W6541U/W6641UY/X592</b>					
201	1C		A02-2755-13	PLASTIC CABINET ASSY	M1M2
204	1C		A22-3149-03	SUB PANEL ASSY	
206	2C	*	A46-1866-11	REAR COVER	
207	1D		A52-0897-02	TOP PLATE	
PA1	3C	*	A64-4435-11	PANEL ASSY	K
PA1	3C	*	A64-4436-11	PANEL ASSY	K1
PA1	3C	*	A64-4437-11	PANEL ASSY	E1
PA1	3C	*	A64-4438-11	PANEL ASSY	E2
PA1	3C	*	A64-4439-11	PANEL ASSY	E3
PA1	3C	*	A64-4440-11	PANEL ASSY	E4
PA1	3C	*	A64-4441-11	PANEL ASSY	M1
PA1	3C	*	A64-4442-11	PANEL ASSY	M2
RC1	1C		A70-2085-05	REMOTE CONTROLLER ASSY (RC-547)	KK1E2
RC1	1C		A70-2085-05	REMOTE CONTROLLER ASSY (RC-547)	E4M1M2
-		*	B64-4039-00	INST. MANUAL (ENG.FRE.SPA.)	KK1
-		*	B64-4040-00	INST. MANUAL (ENGLISH)	E1E2E3
-		*	B64-4040-00	INST. MANUAL (ENGLISH)	E4
-		*	B64-4041-00	INST. MANUAL (FRE.GER.DUT.)	E1E3
-		*	B64-4042-00	INST. MANUAL (ITA.SPA.POR.)	E1E3
-		*	B64-4043-00	INST. MANUAL (RUSSIAN)	E2E4
-		*	B64-4044-00	INST. MANUAL (ENG.S-CHI.)	M1M2
-		*	B64-4045-00	INST. MANUAL (ARABIC)	M1M2
209	1C		B07-3244-01	ESCUTCHEON	K1
209	1C		B07-3245-01	ESCUTCHEON	KE1E2
209	1C		B07-3245-01	ESCUTCHEON	E3E4M1
209	1C		B07-3245-01	ESCUTCHEON	M2
214	3C		B43-1518-04	BADGE	
221	2C		D10-4446-03	LEVER	
222	2C		D10-4447-03	LEVER	
223	1C		D10-7012-04	LEVER	
224	1C		D21-2329-04	SHAFT	
228	2D	*	E30-6821-05	CORD WITH CONNECTOR (USB)	KK1E1
228	2D	*	E30-6821-05	CORD WITH CONNECTOR (USB)	E2E3E4
228	2D	*	E30-6821-05	CORD WITH CONNECTOR (USB)	M1
△ DC1	1C		E30-6428-05	DC CORD	KK1M1
△ DC1	1C		E30-6428-05	DC CORD	M2
△ DC2	1C		E30-6671-05	DC CORD	E1E2E3
△ DC2	1C		E30-6671-05	DC CORD	E4
FC1	2D	*	E39-0974-05	FLAT CABLE	
230	1C	*	F19-1475-04	COVER	K
234	2D		F29-0637-04	INSULATING COVER	KK1E1
234	2D		F29-0637-04	INSULATING COVER	E2E3E4
234	2D		F29-0637-04	INSULATING COVER	M1
△ F1	2D		F52-0023-05	FUSE (MINI BLADE TYPE) (10A)	
236	2D		G01-2987-04	TORSION COIL SPRING	
237	2C		G01-3096-04	EXTENSION SPRING	
238	2C		G01-3244-04	COMPRESSION SPRING (REL)	
239	3D	*	G16-1714-04	SHEET (X34)	
240	2C	*	G16-1720-04	SHEET (X16)	
-		*	H54-4335-03	ITEM CARTON CASE	K
-		*	H54-4336-03	ITEM CARTON CASE	K1
-		*	H54-4337-03	ITEM CARTON CASE	E1

Ref. No.	A d d	N e w	Parts No.	Description	Desti- nation
-		*	H54-4338-03	ITEM CARTON CASE	E2
-		*	H54-4339-03	ITEM CARTON CASE	E3
-		*	H54-4340-03	ITEM CARTON CASE	E4
-		*	H54-4341-03	ITEM CARTON CASE	M1
-		*	H54-4342-03	ITEM CARTON CASE	M2
242	1C		J21-9716-03	MOUNTING HARDWARE ASSY	
246	2C	*	K24-4808-03	PUSH KNOB (RELEASE)	
248	3C	*	K28-0293-04	KNOB ASSY (FM/AM)	
249	3C	*	K28-0294-04	KNOB ASSY (VOL)	
262	1C		N84-4016-48	PAN HEAD TAPTITE SCREW	KK1M1
262	1C		N84-4016-48	PAN HEAD TAPTITE SCREW	M2
266	1C		N99-1757-15	SCREW SET	KK1M1
266	1C		N99-1757-15	SCREW SET	M2
267	1C	*	N99-1790-05	SCREW SET	K
A	2C		N24-3015-48	E TYPE RETAINING RING	
B	2D		N84-2005-48	PAN HEAD TAPTITE SCREW	KK1E1
B	2D		N84-2005-48	PAN HEAD TAPTITE SCREW	E2E3E4
B	2D		N84-2005-48	PAN HEAD TAPTITE SCREW	M1
C	2C		N80-2008-43	PAN HEAD TAPTITE SCREW	
D	1D		N83-3005-48	PAN HEAD TAPTITE SCREW	
269	1C		W01-1664-05	CARRYING CASE (EXCELON)	K
269	1C		W01-1710-05	CARRYING CASE	K1E1E2
269	1C		W01-1710-05	CARRYING CASE	E3E4
270	1C	*	W01-1723-05	COMPACT DISC	KK1E1
270	1C	*	W01-1723-05	COMPACT DISC	E2E3E4
270	1C	*	W01-1723-05	COMPACT DISC	M1
272	3D	*	X34-5880-10	ELECTRIC UNIT (For IC61,750)	K
272	3D	*	X34-5880-11	ELECTRIC UNIT (For IC61,750)	K1
272	3D	*	X34-5880-21	ELECTRIC UNIT (For IC61,750)	M1
272	3D	*	X34-5880-22	ELECTRIC UNIT (For IC61)	M2
272	3D	*	X34-5882-71	ELECTRIC UNIT (For IC61,750)	E1
272	3D	*	X34-5882-72	ELECTRIC UNIT (For IC61,750)	E2
272	3D	*	X34-5882-73	ELECTRIC UNIT (For IC61,750)	E3
272	3D	*	X34-5882-74	ELECTRIC UNIT (For IC61,750)	E4
DME1	1D		X92-6130-00	MECHANISM ASSY (DXM-6E20W)	
<b>SWITCH UNIT (X16-63xx-xx)</b>					
D1			B30-1566-05	LED (1608,RED)	
D2-9		*	B30-1790-05	LED (1608,BLUE)	E4M2
D2-9		*	B30-1790-05	LED (1608,BLUE)	KK1E3
D11-13		*	B30-1790-05	LED (1608,BLUE)	E4M2
D11-13		*	B30-1790-05	LED (1608,BLUE)	KK1E3
D16		*	B30-1790-05	LED (1608,BLUE)	E4M2
D16		*	B30-1790-05	LED (1608,BLUE)	KK1E3
D21		*	B30-1799-05	LED (RGB,F3)	E1E2M1
D22		*	B30-1792-05	LED (RGB)	E1E2M1
D23,24		*	B30-1799-05	LED (RGB,F3)	E1E2M1
D25-28		*	B30-1792-05	LED (RGB)	E1E2M1
D29-31		*	B30-1799-05	LED (RGB,F3)	E1E2M1
C45-47			CC73GCH1H101J	CHIP C 100PF J	
C61			CC73GCH1H101J	CHIP C 100PF J	
C64			CK73FB1A225K	CHIP C 2.2UF K	
C66			CK73FB1C105K	CHIP C 1.0UF K	

**K** : KDC-X592    **K1** : KDC-MP538U    **M1** : KDC-MP6539U    **M2** : KDC-MP6039  
**E1** : KDC-W6541U    **E2** : KDC-W6641UY    **E3** : KDC-W6041U    **E4** : KDC-W6141UY

△ Indicates safety critical components.

# PARTS LIST

## SWITCH UNIT (X16-63xx-xx)

Ref. No.	Ad	New	Parts No.	Description	Desti- nation
C76			CK73GB1C104K	CHIP C 0.10UF K	
C77			CC73GCH1H101J	CHIP C 100PF J	
C85			CK73GB1H103K	CHIP C 0.010UF K	
C86			CC73GCH1H101J	CHIP C 100PF J	
J1			E59-0852-05	RECTANGULAR PLUG	
X1			L78-0872-05	RESONATOR (12MHZ)	
CP1,2			RK74GA1J332J	CHIP-COM 3.3K J 1/16W	
CP7			RK74HB1J472J	CHIP-COM 4.7K J 1/16W	E1E2M1
CP8			RK74HB1J223J	CHIP-COM 22K J 1/16W	E1E2M1
CP11,12			RK74HB1J101J	CHIP-COM 100 J 1/16W	
CP13,14			RK74GA1J332J	CHIP-COM 3.3K J 1/16W	
CP15			RK74HB1J102J	CHIP-COM 1.0K J 1/16W	
CP16			RK74HB1J223J	CHIP-COM 22K J 1/16W	
CP17			RK74HB1J102J	CHIP-COM 1.0K J 1/16W	
CP18,19			RK74GA1J473J	CHIP-COM 47K J 1/16W	
R1			RK73GB2A331J	CHIP R 330 J 1/10W	
R2			RK73GB2A2R2J	CHIP R 2.2 J 1/10W	
R3			RK73GB2A471J	CHIP R 470 J 1/10W	E4M2
R3			RK73GB2A471J	CHIP R 470 J 1/10W	KK1E3
R5-7			RK73GB2A471J	CHIP R 470 J 1/10W	E4M2
R5-7			RK73GB2A471J	CHIP R 470 J 1/10W	KK1E3
R10			RK73GB2A471J	CHIP R 470 J 1/10W	E4M2
R10			RK73GB2A471J	CHIP R 470 J 1/10W	KK1E3
R12			RK73GB2A471J	CHIP R 470 J 1/10W	E4M2
R12			RK73GB2A471J	CHIP R 470 J 1/10W	KK1E3
R21			RK73GB2A361J	CHIP R 360 J 1/10W	E1E2M1
R22			RK73FB2B621J	CHIP R 620 J 1/8W	E1E2M1
R23			RK73GB2A391J	CHIP R 390 J 1/10W	E1E2M1
R24			RK73GB2A361J	CHIP R 360 J 1/10W	E1E2M1
R25			RK73FB2B621J	CHIP R 620 J 1/8W	E1E2M1
R26			RK73GB2A391J	CHIP R 390 J 1/10W	E1E2M1
R27			RK73EB2E681J	CHIP R 680 J 1/4W	E1E2M1
R28			RK73EB2E821J	CHIP R 820 J 1/4W	E1E2M1
R29			RK73EB2E681J	CHIP R 680 J 1/4W	E1E2M1
R30			RK73GB2A391J	CHIP R 390 J 1/10W	E1E2M1
R31			RK73FB2B621J	CHIP R 620 J 1/8W	E1E2M1
R32,33			RK73GB2A361J	CHIP R 360 J 1/10W	E1E2M1
R34			RK73FB2B621J	CHIP R 620 J 1/8W	E1E2M1
R35			RK73GB2A391J	CHIP R 390 J 1/10W	E1E2M1
R36			RK73GB2A361J	CHIP R 360 J 1/10W	E1E2M1
R37			RK73FB2B621J	CHIP R 620 J 1/8W	E1E2M1
R38			RK73GB2A391J	CHIP R 390 J 1/10W	E1E2M1
R51			RK73FB2B102J	CHIP R 1.0K J 1/8W	
R52			RK73GB2A473J	CHIP R 47K J 1/10W	
R61			RK73GB2A104J	CHIP R 100K J 1/10W	
R62			RK73FB2B180J	CHIP R 18 J 1/8W	
R67			RK73GB2A101J	CHIP R 100 J 1/10W	
R68			RK73GB2A473J	CHIP R 47K J 1/10W	
R69			RK73GB2A101J	CHIP R 100 J 1/10W	
R71,72			RK73GB2A101J	CHIP R 100 J 1/10W	
R74			RK73GB2A102J	CHIP R 1.0K J 1/10W	
R76			RK73GB2A103J	CHIP R 10K J 1/10W	
R78			RK73GB2A104J	CHIP R 100K J 1/10W	

Ref. No.	Ad	New	Parts No.	Description	Desti- nation
R79,80			RK73GB2A473J	CHIP R 47K J 1/10W	
R81			RK73GB2A221J	CHIP R 220 J 1/10W	
S2-7			S70-0901-05	TACT SWITCH	
S8			S70-0947-05	TACT SWITCH	
S1			T99-0474-05	ROTARY ENCODER	
D40			UDZW6.8 (B)	ZENER DIODE	
D41			UDZW5.1 (B)	ZENER DIODE	
ED1		*	GP1210AI	FLUORESCENT INDICATOR TUBE	
IC1		*	30624MGPB78GP	MICROCONTROLLER IC	E4E1E2
IC1		*	30624MGPB78GP	MICROCONTROLLER IC	KK1E3
IC1		*	30626MMPA22GP	MICROCONTROLLER IC	M2M1
IC3			PIC95603	ANALOGUE IC	
Q1			DTC143ZUA	DIGITAL TRANSISTOR	E4M2
Q1			DTC143ZUA	DIGITAL TRANSISTOR	KK1E3
Q1			2SC4617	TRANSISTOR	E1E2M1
Q3-6			DTC143ZUA	DIGITAL TRANSISTOR	E4M2
Q3-6			DTC143ZUA	DIGITAL TRANSISTOR	KK1E3
Q11			2SB1188 (Q,R)	TRANSISTOR	
Q21-23			2SD2351 (W)	TRANSISTOR	E1E2M1

## CD PLAYER UNIT (X32-6130-00) IN CD MECHA

C20			CC73GCH1H330J	CHIP C 33PF J	
C23			CC73GCH1H151J	CHIP C 150PF J	
C24			CK73FB1A225K	CHIP C 2.2UF K	
C25			CK73GB1A105K	CHIP C 1.0UF K	
C26			CK73GB1H153K	CHIP C 0.015UF K	
C27			CC73GCH1H470J	CHIP C 47PF J	
C30-32			CK73GB1H103K	CHIP C 0.010UF K	
C33			CK73GB1H332K	CHIP C 3300PF K	
C34			CK73GB1H104K	CHIP C 0.10UF K	
C35			CK73GB1H153K	CHIP C 0.015UF K	
C36			CK73GB1H104K	CHIP C 0.10UF K	
C38			CC73GCH1H680J	CHIP C 68PF J	
C39			CK73GB1H104K	CHIP C 0.10UF K	
C41			CK73GB1A105K	CHIP C 1.0UF K	
C44			CK73GB1H104K	CHIP C 0.10UF K	
C45			CK73GB1H223K	CHIP C 0.022UF K	
C46			CK73GB1H103K	CHIP C 0.010UF K	
C47,48			CK73GB1H333K	CHIP C 0.033UF K	
C49,50			CK73GB1H104K	CHIP C 0.10UF K	
C51			CK73GB1H222K	CHIP C 2200PF K	
C52,53			CK73GB1H104K	CHIP C 0.10UF K	
C54			CK73GB1A105K	CHIP C 1.0UF K	
C58			CK73GB1A105K	CHIP C 1.0UF K	
C60			CK73EBOJ226K	CHIP C 22UF K	
C61-64			CK73GB1H104K	CHIP C 0.10UF K	
C66			CK73FB1C105K	CHIP C 1.0UF K	
C68,69			CK73GB1H104K	CHIP C 0.10UF K	
C71			CK73GB1H104K	CHIP C 0.10UF K	
C72			CK73FB0J106K	CHIP C 10UF K	
C87,88			CK73GB1H332K	CHIP C 3300PF K	
C89-91			CK73GB1H104K	CHIP C 0.10UF K	
C94,95			CK73GB1A105K	CHIP C 1.0UF K	
C96			CK73GB1H103K	CHIP C 0.010UF K	

K : KDC-X592 K1 : KDC-MP538U M1 : KDC-MP6539U M2 : KDC-MP6039  
E1 : KDC-W6541U E2 : KDC-W6641UY E3 : KDC-W6041U E4 : KDC-W6141UY

△ Indicates safety critical components.

# PARTS LIST

## CD PLAYER UNIT (X32-6130-00) IN CD MECHA

Ref. No.	Add	New	Parts No.	Description	Destination
C97			CK73GB1H104K	CHIP C 0.10UF K	
C101			CK73GB1C224K	CHIP C 0.22UF K	
C102			CK73GB1A474K	CHIP C 0.47UF K	
C103			CK73GB1H153K	CHIP C 0.015UF K	
C104			CK73FB1A225K	CHIP C 2.2UF K	
CN1			E41-2612-05	FLAT CABLE CONNECTOR	
CN2			E41-2630-05	FLAT CABLE CONNECTOR	
X1			L78-1221-05	RESONATOR (16.93MHZ)	
CP7			RK74GB1J103J	CHIP-COM 10K J 1/16W	
R20			RK73GB2A184J	CHIP R 180K J 1/10W	
R27			RK73GB2A912J	CHIP R 9.1K J 1/10W	
R29			RK73GB2A102J	CHIP R 1.0K J 1/10W	
R30			RK73GB2A101J	CHIP R 100 J 1/10W	
R31			RK73GB2A224J	CHIP R 220K J 1/10W	
R32			RK73GB2A181J	CHIP R 180 J 1/10W	
R33			RK73GB2A153J	CHIP R 15K J 1/10W	
R34			RK73GB2A473J	CHIP R 47K J 1/10W	
R35			RK73GB2A562J	CHIP R 5.6K J 1/10W	
R36			RK73GB2A154J	CHIP R 150K J 1/10W	
R37			RK73GB2A334J	CHIP R 330K J 1/10W	
R38			RK73GB2A223J	CHIP R 22K J 1/10W	
R40			RK73GB2A114J	CHIP R 110K J 1/10W	
R41			RK73GB2A473J	CHIP R 47K J 1/10W	
R45			RK73GB2A221J	CHIP R 220 J 1/10W	
R46			RK73GB2A105J	CHIP R 1.0M J 1/10W	
R50			RK73GB2A560J	CHIP R 56 J 1/10W	
R51			RK73EB2E220J	CHIP R 22 J 1/4W	
R52			RK73EB2E100J	CHIP R 10 J 1/4W	
R55			RK73GB2A103J	CHIP R 10K J 1/10W	
R59			RK73GB2A4R7J	CHIP R 4.7 J 1/10W	
R60,61			RK73GB2A103J	CHIP R 10K J 1/10W	
R82,83			RK73GB2A331J	CHIP R 330 J 1/10W	
R207			RK73EB2E000J	CHIP R 0.0 J 1/4W	
R216,217			RK73GB2A103J	CHIP R 10K J 1/10W	
R221,222			RK73GB2A101J	CHIP R 100 J 1/10W	
R226			RK73GB2A101J	CHIP R 100 J 1/10W	
R228-230			RK73GB2A101J	CHIP R 100 J 1/10W	
R231			RK73GB2A473J	CHIP R 47K J 1/10W	
R232			RK73GB2A104J	CHIP R 100K J 1/10W	
R233			RK73GB2A331J	CHIP R 330 J 1/10W	
R240			RK73EB2E000J	CHIP R 0.0 J 1/4W	
R241			RK73GB2A104J	CHIP R 100K J 1/10W	
R243			RK73GB2A472J	CHIP R 4.7K J 1/10W	
R244			RK73GB2A225J	CHIP R 2.2M J 1/10W	
R246			RK73GB2A104J	CHIP R 100K J 1/10W	
R247			RK73GB2A101J	CHIP R 100 J 1/10W	
R252			RK73GB2A102J	CHIP R 1.0K J 1/10W	
R257-261			RK73GB2A101J	CHIP R 100 J 1/10W	
R262-264			RK73GB2A472J	CHIP R 4.7K J 1/10W	
R280			RK73GB2A103J	CHIP R 10K J 1/10W	
R281,282			RK73GB2A2R2J	CHIP R 2.2 J 1/10W	
R284,285			RK73GB2A2R2J	CHIP R 2.2 J 1/10W	
R287			RK73GB2A2R2J	CHIP R 2.2 J 1/10W	

Ref. No.	Add	New	Parts No.	Description	Destination
R288			RK73GB2A302J	CHIP R 3.0K J 1/10W	
R289			RK73GB2A103J	CHIP R 10K J 1/10W	
S1,2			S68-0863-05	PUSH SWITCH	
S3			S68-0862-05	PUSH SWITCH	
D2			DAP202U	DIODE	
D3,4			DA204U	DIODE	
IC3			BD8222EFV	ANALOGUE IC	
IC4			TC94A70FG-010	MOS-IC	
IC5			S-1132B15U5T1G	ANALOGUE IC	
IC6			S-1132B33U5T1G	ANALOGUE IC	
IC11			XC6218S152MR	MOS-IC	
Q1			2SB0970	TRANSISTOR	
Q13			DTC114YUA	DIGITAL TRANSISTOR	

## ELECTRIC UNIT (X34-588x-xx)

Ref. No.	Add	New	Parts No.	Description	Destination
C1			C90-6746-05	ELECTRO 3300UF 16WV	K1E1E2
C1			C90-6746-05	ELECTRO 3300UF 16WV	E3E4M1
C1			C90-6746-05	ELECTRO 3300UF 16WV	M2
C1			C90-6783-05	ERECTRO 3900 16WV	K
C11			CK73GB1H102K	CHIP C 1000PF K	
C13			CD04AY1A221M	ELECTRO 220UF 10WV	
C20,21			C90-6851-05	ELECTRO 220UF 25WV	
C22			CK73GB1H103K	CHIP C 0.010UF K	
C23			CD04AS1V100M	ELECTRO 10UF 35WV	
C24			CD04BA0J101M	ELECTRO 100UF 6.3WV	
C25,26			CK73GB1A105K	CHIP C 1.0UF K	KK1E1
C25,26			CK73GB1A105K	CHIP C 1.0UF K	E2E3E4
C25,26			CK73GB1A105K	CHIP C 1.0UF K	M1
C27			CD04AS1V100M	ELECTRO 10UF 35WV	KK1E1
C27			CD04AS1V100M	ELECTRO 10UF 35WV	E2E3E4
C27			CD04AS1V100M	ELECTRO 10UF 35WV	M1
C31			CK73GB1C104K	CHIP C 0.10UF K	
C32			CD04AY1C220M	ELECTRO 22UF 16WV	
C43			CD04AS1V100M	ELECTRO 10UF 35WV	
C51			CD04AS1V100M	ELECTRO 10UF 35WV	
C54			CK73EB1C106K	CHIP C 10UF K	
C61			CK73GB1C104K	CHIP C 0.10UF K	
C62			CK73GB1H152K	CHIP C 1500PF K	
C63			CK73GB1A474K	CHIP C 0.47UF K	
C64			CK73FB0J106K	CHIP C 10UF K	
C71			CK73GB1C104K	CHIP C 0.10UF K	
C74			CK73FB1C105K	CHIP C 1.0UF K	
C75			CK73GB1H103K	CHIP C 0.010UF K	
C76	*		C93-1457-05	CHIP C 1.0UF K	
C77,78			C93-0059-05	CERAMIC 1UF K	
C79	*		C93-1457-05	CHIP C 1.0UF K	
C101			CD04AS1C101M	ELECTRO 100UF 16WV	K
C102			CD04AS1C220M	ELECTRO 22UF 16WV	K
C103			CD04AS1C470M	ELECTRO 47UF 16WV	K
C104			CD04AS1V100M	ELECTRO 10UF 35WV	K
C105			CK73GB1H102K	CHIP C 1000PF K	K
C121			CK73GB1H103K	CHIP C 0.010UF K	
C141			CD04AS1H3R3M	ELECTRO 3.3UF 50WV	
C142			CK73GB1A105K	CHIP C 1.0UF K	
C143			CK73GB1H104K	CHIP C 0.10UF K	

K : KDC-X592 K1 : KDC-MP538U M1 : KDC-MP6539U M2 : KDC-MP6039  
E1 : KDC-W6541U E2 : KDC-W6641UY E3 : KDC-W6041U E4 : KDC-W6141UY

△ Indicates safety critical components.

# PARTS LIST

## ELECTRIC UNIT (X34-588x-xx)

Ref. No.	A d d	N e w	Parts No.	Description	Desti- nation	Ref. No.	A d d	N e w	Parts No.	Description	Desti- nation
C151			CK73GB1H103K	CHIP C 0.010UF K		C473,474			CK73GB1A105K	CHIP C 1.0UF K	K1E1E2
C152			CK73GB1H223K	CHIP C 0.022UF K		C473,474			CK73GB1A105K	CHIP C 1.0UF K	E3E4M1
C153			CK73GB1A105K	CHIP C 1.0UF K		C473,474			CK73GB1A105K	CHIP C 1.0UF K	M2
C201			CK73GB1A105K	CHIP C 1.0UF K	KK1E1	C505			CK73GB1A105K	CHIP C 1.0UF K	K
C201			CK73GB1A105K	CHIP C 1.0UF K	E2E3E4	C506			C90-6765-05	ELECTRO 1UF 16WV	K
C201			CK73GB1A105K	CHIP C 1.0UF K	M1	C508			CD04BA1E330M	ELECTRO 33UF 25WV	
C211,212			CK73GB1C104K	CHIP C 0.10UF K	KK1E1	C511-514			C90-6768-05	ELECTRO 0.22UF 16WV	K
C211,212			CK73GB1C104K	CHIP C 0.10UF K	E2E3E4	C516			CK73GB1A105K	CHIP C 1.0UF K	
C211,212			CK73GB1C104K	CHIP C 0.10UF K	M1	C517-520			CK73GB1C224K	CHIP C 0.22UF K	K1E1E2
C213			CD04BF1C221M	ELECTRO 220UF 16WV	KK1E1	C517-520			CK73GB1C224K	CHIP C 0.22UF K	E3E4M1
C213			CD04BF1C221M	ELECTRO 220UF 16WV	E2E3E4	C517-520			CK73GB1C224K	CHIP C 0.22UF K	M2
C213			CD04BF1C221M	ELECTRO 220UF 16WV	M1	C521			CK73FB1C105K	CHIP C 1.0UF K	K1E1E2
C301,302			CC73GCH1H180J	CHIP C 18PF J	E1E2E3	C521			CK73FB1C105K	CHIP C 1.0UF K	E3E4M1
C301,302			CC73GCH1H180J	CHIP C 18PF J	E4	C521			CK73FB1C105K	CHIP C 1.0UF K	M2
C303			CK73GB1H103K	CHIP C 0.010UF K	E1E2E3	C601			CC73GCH1H220J	CHIP C 22PF J	
C303			CK73GB1H103K	CHIP C 0.010UF K	E4	C602			CC73GCH1H180J	CHIP C 18PF J	
C307			CK73FB1A225K	CHIP C 2.2UF K	E1E2E3	C603			CK73GB1C104K	CHIP C 0.10UF K	
C307			CK73FB1A225K	CHIP C 2.2UF K	E4	C604-608			CK73GB1H103K	CHIP C 0.010UF K	
C308			CC73GCH1H271J	CHIP C 270PF J	E1E2E3	C610			CK73GB1A105K	CHIP C 1.0UF K	
C308			CC73GCH1H271J	CHIP C 270PF J	E4	C612			CK73GB1H103K	CHIP C 0.010UF K	
C309			CC73GCH1H101J	CHIP C 100PF J	E1E2E3	C613			CK73GB1H102K	CHIP C 1000PF K	
C309			CC73GCH1H101J	CHIP C 100PF J	E4	C614			CK73GB1H103K	CHIP C 0.010UF K	
C321-324			CK73GB1H103K	CHIP C 0.010UF K		C616-619			CK73GB1H103K	CHIP C 0.010UF K	
C331-334			CK73EB1A475K	CHIP C 4.7UF K		C701			CK73GB1H103K	CHIP C 0.010UF K	KK1E1
C335			CK73GB1H103K	CHIP C 0.010UF K		C701			CK73GB1H103K	CHIP C 0.010UF K	E2E3E4
C336			CD04AS1V100M	ELECTRO 10UF 35WV		C701			CK73GB1H103K	CHIP C 0.010UF K	M1
C337			CK73EB1A475K	CHIP C 4.7UF K		C702,703			CC73GCH1H220J	CHIP C 22PF J	KK1E1
C401,402			CD04AS1V100M	ELECTRO 10UF 35WV		C702,703			CC73GCH1H220J	CHIP C 22PF J	E2E3E4
C405,406			CD04AS1V100M	ELECTRO 10UF 35WV	KK1E1	C702,703			CC73GCH1H220J	CHIP C 22PF J	M1
C405,406			CD04AS1V100M	ELECTRO 10UF 35WV	E2M1M2	C704-706			CK73GB1H103K	CHIP C 0.010UF K	KK1E1
C409,410			CD04AS1V100M	ELECTRO 10UF 35WV	KK1M1	C704-706			CK73GB1H103K	CHIP C 0.010UF K	E2E3E4
C409,410			CD04AS1V100M	ELECTRO 10UF 35WV	M2	C704-706			CK73GB1H103K	CHIP C 0.010UF K	M1
C421,422			CK73FB1E474K	CHIP C 0.47UF K		C708-710			CK73GB1H103K	CHIP C 0.010UF K	KK1E1
C423			CD04AS0J470M	ELECTRO 47UF 6.3WV		C708-710			CK73GB1H103K	CHIP C 0.010UF K	E2E3E4
C424			CK73GB1H103K	CHIP C 0.010UF K		C708-710			CK73GB1H103K	CHIP C 0.010UF K	M1
C431			CK73FB1E474K	CHIP C 0.47UF K		C711,712			CC73GCH1H150J	CHIP C 15PF J	KK1E1
C432			CD04AS0J470M	ELECTRO 47UF 6.3WV		C711,712			CC73GCH1H150J	CHIP C 15PF J	E2E3E4
C433			CK73FB1E474K	CHIP C 0.47UF K		C711,712			CC73GCH1H150J	CHIP C 15PF J	M1
C443			CK73GB1H103K	CHIP C 0.010UF K		C713,714			CK73GB1H103K	CHIP C 0.010UF K	KK1E1
C445,446			CK73GB1A105K	CHIP C 1.0UF K	K1E1E2	C713,714			CK73GB1H103K	CHIP C 0.010UF K	E2E3E4
C445,446			CK73GB1A105K	CHIP C 1.0UF K	E3E4M1	C713,714			CK73GB1H103K	CHIP C 0.010UF K	M1
C445,446			CK73GB1A105K	CHIP C 1.0UF K	M2	C715			CK73GB1A105K	CHIP C 1.0UF K	KK1E1
C451,452			CK73GB1A105K	CHIP C 1.0UF K		C715			CK73GB1A105K	CHIP C 1.0UF K	E2E3E4
C453,454			CD04AS1H2R2M	ELECTRO 2.2UF 50WV	K	C715			CK73GB1A105K	CHIP C 1.0UF K	M1
C459,460			CK73GB1A105K	CHIP C 1.0UF K		C716,717			CK73FB0J106K	CHIP C 10UF K	KK1E1
C461,462			CD04AS1H2R2M	ELECTRO 2.2UF 50WV	K	C716,717			CK73FB0J106K	CHIP C 10UF K	E2E3E4
C463			CK73GB1A105K	CHIP C 1.0UF K		C716,717			CK73FB0J106K	CHIP C 10UF K	M1
C464			CD04AS1H2R2M	ELECTRO 2.2UF 50WV		C718			CK73GB1A105K	CHIP C 1.0UF K	KK1E1
C465,466			CK73GB1A105K	CHIP C 1.0UF K		C718			CK73GB1A105K	CHIP C 1.0UF K	E2E3E4
C467			CK73GB1H103K	CHIP C 0.010UF K		C718			CK73GB1A105K	CHIP C 1.0UF K	M1
C468			CD04AS1V100M	ELECTRO 10UF 35WV	K1E1E2	C750,751			CC73GCH1H040C	CHIP C 4.0PF C	KK1E1
C468			CD04AS1V100M	ELECTRO 10UF 35WV	E3E4M1	C750,751			CC73GCH1H040C	CHIP C 4.0PF C	E2E3E4
C468			CD04AS1V100M	ELECTRO 10UF 35WV	M2	C750,751			CC73GCH1H040C	CHIP C 4.0PF C	M1
C469			CD04AS1C470M	ELECTRO 47UF 16WV		C752			CK73GB1C104K	CHIP C 0.10UF K	KK1E1
C470,471			CK73GB1A474K	CHIP C 0.47UF K		C752			CK73GB1C104K	CHIP C 0.10UF K	E2E3E4

K : KDC-X592 K1 : KDC-MP538U M1 : KDC-MP6539U M2 : KDC-MP6039  
E1 : KDC-W6541U E2 : KDC-W6641UY E3 : KDC-W6041U E4 : KDC-W6141UY

△Indicates safety critical compo nents.

# PARTS LIST

## ELECTRIC UNIT (X34-588x-xx)

Ref. No.	Add	New	Parts No.	Description	Destination	Ref. No.	Add	New	Parts No.	Description	Destination
C752			CK73GB1C104K	CHIP C 0.10UF K	M1	R42			RK73GB2A473J	CHIP R 47K J 1/10W	
CN201		*	E41-1701-05	PIN ASSY	KK1E1	R51			RK73EB2E361J	CHIP R 360 J 1/4W	
CN201		*	E41-1701-05	PIN ASSY	E2E3E4	R52			RK73GB2A473J	CHIP R 47K J 1/10W	
CN201		*	E41-1701-05	PIN ASSY	M1	R61			RK73GH2A123D	CHIP R 12K D 1/10W	
CN701			E41-2630-05	FLAT CABLE CONNECTOR		R62			RK73GB2A103J	CHIP R 10K J 1/10W	
△ J1			E58-1003-05	RECTANGULAR RECEPTACLE		R63			RK73GH2A333D	CHIP R 33K D 1/10W	
J401			E63-0953-05	PIN JACK	KK1M1	R64			RK73GH2A104D	CHIP R 100K D 1/10W	
J401			E63-0953-05	PIN JACK	M2	R71			RK73PB2H1R0J	CHIP R 1.0 J 1/2W	
J401			E63-0954-05	PIN JACK	E1E2	R74			RK73FB2B182J	CHIP R 1.8K J 1/8W	
J401			E63-0955-05	PIN JACK	E3E4	R76			RK73GB2A473J	CHIP R 47K J 1/10W	
J421			E11-0625-05	PHONE JACK (LGY6502-0900)		R77			RK73GH2A434D	CHIP R 430K D 1/10W	
J431			E56-0855-05	CYLINDRICAL RECEPTACLE		R78			RK73GH2A103D	CHIP R 10K D 1/10W	
J681			E58-1060-15	RECTANGULAR RECEPTACLE		R81			RK73GB2A223J	CHIP R 22K J 1/10W	
W321	2D		E30-6803-05	CORD WITH PLUG (ANTENNA)		R82			RK73GB2A473J	CHIP R 47K J 1/10W	
WH151	2D	*	E30-6822-05	WIRING HARNESS (WIRED REMOTE)		R83			RK73EB2E333J	CHIP R 33K J 1/4W	
△ L1		*	L33-2436-05	CHOKE COIL ASSY		R84			RK73GB2A473J	CHIP R 47K J 1/10W	
L61		*	L33-2453-05	SMALL FIXED INDUCTOR		R101			RK73PB2H220J	CHIP R 22 J 1/2W	K
L72			L33-2288-05	SMALL FIXED INDUCTOR		R102			RK73GB2A221J	CHIP R 220 J 1/10W	K
L321-323			L41-4795-33	SMALL FIXED INDUCTOR (4.7UH)		R103			RK73EB2E2R2J	CHIP R 2.2 J 1/4W	K
X301			L77-2002-05	CRYSTAL RESONATOR	E1E2E3	R104			RK73GB2A102J	CHIP R 1.0K J 1/10W	K
X301			L77-2002-05	CRYSTAL RESONATOR	E4	R105			RK73FB2B102J	CHIP R 1.0K J 1/8W	K
X601			L77-2921-05	CRYSTAL RESONATOR (32.768KHZ)		R106			RK73GB2A102J	CHIP R 1.0K J 1/10W	K
X602			L78-0872-05	RESONATOR (12MHZ)		R107			RK73GB2A513J	CHIP R 51K J 1/10W	K
X700			L77-2921-05	CRYSTAL RESONATOR (32.768KHZ)	KK1E1	R108			RK73GB2A332J	CHIP R 3.3K J 1/10W	K
X700			L77-2921-05	CRYSTAL RESONATOR (32.768KHZ)	E2E3E4	R109			RK73GB2A2R2J	CHIP R 2.2 J 1/10W	K
X701			L77-2921-05	CRYSTAL RESONATOR (32.768KHZ)	M1	R110			RK73GB2A222J	CHIP R 2.2K J 1/10W	K
X701			L77-2964-05	CRYSTAL RESONATOR (9.00MHZ)	KK1E1	R111			RK73GB2A473J	CHIP R 47K J 1/10W	K
X701			L77-2964-05	CRYSTAL RESONATOR (9.00MHZ)	E2E3E4	R112			RK73GB2A472J	CHIP R 4.7K J 1/10W	K
X701			L77-2964-05	CRYSTAL RESONATOR (9.00MHZ)	M1	R113			RK73GB2A102J	CHIP R 1.0K J 1/10W	K
X750			L77-2921-05	CRYSTAL RESONATOR (32.768KHZ)	KK1E1	R114			RK73GB2A101J	CHIP R 100 J 1/10W	K
X750			L77-2921-05	CRYSTAL RESONATOR (32.768KHZ)	E2E3E4	R121			RK73FB2B203J	CHIP R 20K J 1/8W	
X750			L77-2921-05	CRYSTAL RESONATOR (32.768KHZ)	M1	R122,123			RK73GB2A103J	CHIP R 10K J 1/10W	
G	2D		N83-3005-48	PAN HEAD TAPTITE SCREW		R124			RK73FB2B683J	CHIP R 68K J 1/8W	
H	2D		N83-3016-48	PAN HEAD TAPTITE SCREW		R125			RK73GB2A473J	CHIP R 47K J 1/10W	
J	2D		N86-2606-48	BINDING HEAD TAPTITE SCREW		R126			RK73GB2A104J	CHIP R 100K J 1/10W	
L	2D		N80-3008-48	PAN HEAD TAPTITE SCREW		R127			RK73EB2E102J	CHIP R 1.0K J 1/4W	
M	2D		N83-3010-43	PAN HEAD TAPTITE SCREW		R128			RK73EB2E473J	CHIP R 47K J 1/4W	
CP602			RK74GA1J101J	CHIP-COM 100 J 1/16W		R129			RK73GB2A183J	CHIP R 18K J 1/10W	
CP603			RK74HB1J101J	CHIP-COM 100 J 1/16W		R134,135			RK73EB2E102J	CHIP R 1.0K J 1/4W	
CP607			RK74GA1J472J	CHIP-COM 4.7K J 1/16W		R141			RK73FB2B472J	CHIP R 4.7K J 1/8W	
CP608			RK74GA1J101J	CHIP-COM 100 J 1/16W		R142			RK73PB2H561J	CHIP R 560 J 1/2W	
CP609			RK74HB1J101J	CHIP-COM 100 J 1/16W		R143			RK73GB2A223J	CHIP R 22K J 1/10W	
CP610			RK74GA1J101J	CHIP-COM 100 J 1/16W		R144			RK73PB2H561J	CHIP R 560 J 1/2W	
CP612			RK74GA1J101J	CHIP-COM 100 J 1/16W		R145			RK73FB2B472J	CHIP R 4.7K J 1/8W	
R1,2			RK73EB2E103J	CHIP R 10K J 1/4W		R146,147			RK73PB2H221J	CHIP R 220 J 1/2W	KK1M1
R11			RK73FB2B221J	CHIP R 220 J 1/8W		R146,147			RK73PB2H221J	CHIP R 220 J 1/2W	M2
R12			RK73GH2A243D	CHIP R 24K D 1/10W		R148			RK73GB2A223J	CHIP R 22K J 1/10W	KK1M1
R13			RK73GH2A432D	CHIP R 4.3K D 1/10W		R148			RK73GB2A223J	CHIP R 22K J 1/10W	M2
R21			RK73FB2B123J	CHIP R 12K J 1/8W		R148			RK73GB2A223J	CHIP R 22K J 1/10W	
R22			RK73GB2A223J	CHIP R 22K J 1/10W		R149,150			RK73PB2H561J	CHIP R 560 J 1/2W	
R23			RK73FB2B822J	CHIP R 8.2K J 1/8W		R151			RK73GB2A104J	CHIP R 100K J 1/10W	
R31			RK73FB2B152J	CHIP R 1.5K J 1/8W		R152			RK73GB2A473J	CHIP R 47K J 1/10W	
R41			RK73FB2B182J	CHIP R 1.8K J 1/8W		R153			RK73GB2A104J	CHIP R 100K J 1/10W	
						R156			RK73GB2A000J	CHIP R 0.0 J 1/10W	E1E2E3
						R156			RK73GB2A000J	CHIP R 0.0 J 1/10W	E4
						R161			RK73EB2E102J	CHIP R 1.0K J 1/4W	

K : KDC-X592 K1 : KDC-MP538U M1 : KDC-MP6539U M2 : KDC-MP6039  
E1 : KDC-W6541U E2 : KDC-W6641UY E3 : KDC-W6041U E4 : KDC-W6141UY

△ Indicates safety critical components.

# PARTS LIST

## ELECTRIC UNIT (X34-588x-xx)

Ref. No.	A d d	N e w	Parts No.	Description	Desti- nation	Ref. No.	A d d	N e w	Parts No.	Description	Desti- nation
R211			RK73GB2A101J	CHIP R 100 J 1/10W	KK1E1	R455			RK73EB2E2R2J	CHIP R 2.2 J 1/4W	
R211			RK73GB2A101J	CHIP R 100 J 1/10W	E2E3E4	R503			RK73GB2A000J	CHIP R 0.0 J 1/10W	
R211			RK73GB2A101J	CHIP R 100 J 1/10W	M1	R505			RK73GB2A163J	CHIP R 16K J 1/10W	
R213			RK73GB2A223J	CHIP R 22K J 1/10W	KK1E1	R507			RK73GB2A432J	CHIP R 4.3K J 1/10W	
R213			RK73GB2A223J	CHIP R 22K J 1/10W	E2E3E4	R508			RK73GB2A100J	CHIP R 10 J 1/10W	
R213			RK73GB2A223J	CHIP R 22K J 1/10W	M1	R510			RK73GB2A223J	CHIP R 22K J 1/10W	
R301-303			RK73GB2A222J	CHIP R 2.2K J 1/10W	E1E2E3	R512			RK73GB2A333J	CHIP R 33K J 1/10W	
R301-303			RK73GB2A222J	CHIP R 2.2K J 1/10W	E4	R514			RK73GB2A221J	CHIP R 220 J 1/10W	
R304			RK73GB2A102J	CHIP R 1.0K J 1/10W	E1E2E3	R601			RK73GB2A222J	CHIP R 2.2K J 1/10W	
R304			RK73GB2A102J	CHIP R 1.0K J 1/10W	E4	R602			RK73GB2A225J	CHIP R 2.2M J 1/10W	
R307			RK73GB2A104J	CHIP R 100K J 1/10W	E1E2E3	R604			RK73GB2A473J	CHIP R 47K J 1/10W	
R307			RK73GB2A104J	CHIP R 100K J 1/10W	E4	R605,606			RK73GB2A103J	CHIP R 10K J 1/10W	
R308			RK73GB2A222J	CHIP R 2.2K J 1/10W	E1E2E3	R607			RK73GB2A104J	CHIP R 100K J 1/10W	
R308			RK73GB2A222J	CHIP R 2.2K J 1/10W	E4	R608			RK73GB2A102J	CHIP R 1.0K J 1/10W	
R321			RK73GB2A223J	CHIP R 22K J 1/10W		R610			RK73GB2A473J	CHIP R 47K J 1/10W	
R322			RK73FB2B821J	CHIP R 820 J 1/8W		R611			RK73GB2A102J	CHIP R 1.0K J 1/10W	M2
R323,324			RK73GB2A471J	CHIP R 470 J 1/10W		R612			RK73GB2A104J	CHIP R 100K J 1/10W	E1E2E3
R331,332			RK73GB2A334J	CHIP R 330K J 1/10W		R612			RK73GB2A104J	CHIP R 100K J 1/10W	E4
R333			RK73GB2A473J	CHIP R 47K J 1/10W		R613			RK73GB2A473J	CHIP R 47K J 1/10W	
R334			RK73GB2A333J	CHIP R 33K J 1/10W		R614,615			RK73GB2A102J	CHIP R 1.0K J 1/10W	
R335			RK73GB2A473J	CHIP R 47K J 1/10W		R616			RK73GB2A223J	CHIP R 22K J 1/10W	E1E2E3
R336			RK73GB2A821J	CHIP R 820 J 1/10W		R616			RK73GB2A223J	CHIP R 22K J 1/10W	E4
R337			RK73GB2A104J	CHIP R 100K J 1/10W		R617			RK73GB2A102J	CHIP R 1.0K J 1/10W	
R338			RK73GB2A102J	CHIP R 1.0K J 1/10W		R618			RK73GB2A472J	CHIP R 4.7K J 1/10W	
R339			RK73GB2A473J	CHIP R 47K J 1/10W		R619			RK73GB2A222J	CHIP R 2.2K J 1/10W	
R340,341			RK73GB2A103J	CHIP R 10K J 1/10W		R621,622			RK73GB2A473J	CHIP R 47K J 1/10W	
R342			RK73EB2E101J	CHIP R 100 J 1/4W		R623			RK73GB2A104J	CHIP R 100K J 1/10W	
R343,344			RK73EB2E102J	CHIP R 1.0K J 1/4W		R624			RK73GB2A471J	CHIP R 470 J 1/10W	
R401,402			RK73GB2A331J	CHIP R 330 J 1/10W		R625,626			RK73GB2A104J	CHIP R 100K J 1/10W	
R403,404			RK73GB2A223J	CHIP R 22K J 1/10W		R627			RK73GB2A471J	CHIP R 470 J 1/10W	
R405,406			RK73FB2B181J	CHIP R 180 J 1/8W		R628			RK73GB2A473J	CHIP R 47K J 1/10W	
R407,408			RK73GB2A331J	CHIP R 330 J 1/10W	KK1E1	R629			RK73GB2A104J	CHIP R 100K J 1/10W	M2
R407,408			RK73GB2A331J	CHIP R 330 J 1/10W	E2M1M2	R630			RK73GB2A472J	CHIP R 4.7K J 1/10W	
R409,410			RK73GB2A223J	CHIP R 22K J 1/10W	KK1E1	R631			RK73GB2A101J	CHIP R 100 J 1/10W	
R409,410			RK73GB2A223J	CHIP R 22K J 1/10W	E2M1M2	R632,633			RK73GB2A104J	CHIP R 100K J 1/10W	
R411,412			RK73FB2B181J	CHIP R 180 J 1/8W	KK1E1	R634			RK73GB2A101J	CHIP R 100 J 1/10W	
R411,412			RK73FB2B181J	CHIP R 180 J 1/8W	E2M1M2	R635			RK73GB2A473J	CHIP R 47K J 1/10W	
R413,414			RK73GB2A331J	CHIP R 330 J 1/10W	KK1M1	R636			RK73GB2A102J	CHIP R 1.0K J 1/10W	
R413,414			RK73GB2A331J	CHIP R 330 J 1/10W	M2	R637			RK73GB2A473J	CHIP R 47K J 1/10W	
R415,416			RK73GB2A223J	CHIP R 22K J 1/10W	KK1M1	R639			RK73GB2A101J	CHIP R 100 J 1/10W	
R415,416			RK73GB2A223J	CHIP R 22K J 1/10W	M2	R641			RK73GB2A101J	CHIP R 100 J 1/10W	
R417,418			RK73FB2B181J	CHIP R 180 J 1/8W	KK1M1	R642			RK73GB2A223J	CHIP R 22K J 1/10W	KK1M1
R417,418			RK73FB2B181J	CHIP R 180 J 1/8W	M2	R642			RK73GB2A473J	CHIP R 47K J 1/10W	E2E4
R421,422			RK73EB2E100J	CHIP R 10 J 1/4W		R643			RK73GB2A223J	CHIP R 22K J 1/10W	E3E4
R423,424			RK73GB2A123J	CHIP R 12K J 1/10W		R643			RK73GB2A473J	CHIP R 47K J 1/10W	M1
R425			RK73EB2E4R7J	CHIP R 4.7 J 1/4W		R643,644			RK73GB2A223J	CHIP R 22K J 1/10W	E1E2
R426			RK73GB2A102J	CHIP R 1.0K J 1/10W		R644			RK73GB2A223J	CHIP R 22K J 1/10W	KM1
R431-435			RK73EB2E432J	CHIP R 4.3K J 1/4W		R645			RK73GB2A223J	CHIP R 22K J 1/10W	K1E3E4
R436			RK73EB2E101J	CHIP R 100 J 1/4W		R647			RK73GB2A104J	CHIP R 100K J 1/10W	
R437			RK73EB2E100J	CHIP R 10 J 1/4W		R648			RK73GB2A223J	CHIP R 22K J 1/10W	
R438			RK73EB2E4R7J	CHIP R 4.7 J 1/4W		R650			RK73GB2A104J	CHIP R 100K J 1/10W	
R439			RK73EB2E100J	CHIP R 10 J 1/4W		R651			RK73EB2E102J	CHIP R 1.0K J 1/4W	
R440			RK73EB2E432J	CHIP R 4.3K J 1/4W		R652			RK73GB2A102J	CHIP R 1.0K J 1/10W	
R441			RK73EB2E101J	CHIP R 100 J 1/4W		R653			RK73GB2A473J	CHIP R 47K J 1/10W	
R453,454			RK73GB2A103J	CHIP R 10K J 1/10W		R654			RK73EB2E102J	CHIP R 1.0K J 1/4W	

K : KDC-X592 K1 : KDC-MP538U M1 : KDC-MP6539U M2 : KDC-MP6039  
E1 : KDC-W6541U E2 : KDC-W6641UY E3 : KDC-W6041U E4 : KDC-W6141UY

△Indicates safety critical components.

# PARTS LIST

## ELECTRIC UNIT (X34-588x-xx)

Ref. No.	Add	New	Parts No.	Description	Destination	Ref. No.	Add	New	Parts No.	Description	Destination
R655			RK73GB2A222J	CHIP R 2.2K J 1/10W		R706			RK73GB2A223J	CHIP R 22K J 1/10W	KK1E1
R656			RK73GB2A104J	CHIP R 100K J 1/10W		R706			RK73GB2A223J	CHIP R 22K J 1/10W	E2E3E4
R657			RK73GB2A000J	CHIP R 0.0 J 1/10W	M2	R706			RK73GB2A223J	CHIP R 22K J 1/10W	M1
R658			RK73GB2A101J	CHIP R 100 J 1/10W		R707			RK73GB2A104J	CHIP R 100K J 1/10W	KK1E1
R659			RK73GB2A104J	CHIP R 100K J 1/10W		R707			RK73GB2A104J	CHIP R 100K J 1/10W	E2E3E4
R660,661			RK73GB2A473J	CHIP R 47K J 1/10W		R707			RK73GB2A104J	CHIP R 100K J 1/10W	M1
R662			RK73GB2A2R2J	CHIP R 2.2 J 1/10W		R708			RK73GB2A101J	CHIP R 100 J 1/10W	KK1E1
R663			RK73EB2E101J	CHIP R 100 J 1/4W		R708			RK73GB2A101J	CHIP R 100 J 1/10W	E2E3E4
R664			RK73GB2A472J	CHIP R 4.7K J 1/10W		R708			RK73GB2A101J	CHIP R 100 J 1/10W	M1
R665			RK73GB2A473J	CHIP R 47K J 1/10W		R709,710			RK73GB2A102J	CHIP R 1.0K J 1/10W	KK1E1
R666			RK73GB2A101J	CHIP R 100 J 1/10W	KK1E1	R709,710			RK73GB2A102J	CHIP R 1.0K J 1/10W	E2E3E4
R666			RK73GB2A101J	CHIP R 100 J 1/10W	E2E3E4	R709,710			RK73GB2A102J	CHIP R 1.0K J 1/10W	M1
R666			RK73GB2A101J	CHIP R 100 J 1/10W	M1	R711			RK73GB2A223J	CHIP R 22K J 1/10W	KK1E1
R667			RK73GB2A223J	CHIP R 22K J 1/10W		R711			RK73GB2A223J	CHIP R 22K J 1/10W	E2E3E4
R668			RK73GB2A101J	CHIP R 100 J 1/10W	KK1E1	R711			RK73GB2A223J	CHIP R 22K J 1/10W	M1
R668			RK73GB2A101J	CHIP R 100 J 1/10W	E2E3E4	R713			RK73GB2A101J	CHIP R 100 J 1/10W	KK1E1
R668			RK73GB2A101J	CHIP R 100 J 1/10W	M1	R713			RK73GB2A101J	CHIP R 100 J 1/10W	E2E3E4
R668-670			RK73GB2A101J	CHIP R 100 J 1/10W	M2	R713			RK73GB2A101J	CHIP R 100 J 1/10W	M1
R670			RK73GB2A101J	CHIP R 100 J 1/10W	KK1E1	R714			RK73GB2A223J	CHIP R 22K J 1/10W	KK1E1
R670			RK73GB2A101J	CHIP R 100 J 1/10W	E2E3E4	R714			RK73GB2A223J	CHIP R 22K J 1/10W	E2E3E4
R670			RK73GB2A101J	CHIP R 100 J 1/10W	M1	R714			RK73GB2A223J	CHIP R 22K J 1/10W	M1
R671			RK73GB2A223J	CHIP R 22K J 1/10W		R715			RK73GB2A102J	CHIP R 1.0K J 1/10W	KK1E1
R672			RK73GB2A101J	CHIP R 100 J 1/10W		R715			RK73GB2A102J	CHIP R 1.0K J 1/10W	KK1E1
R673			RK73GB2A223J	CHIP R 22K J 1/10W		R715			RK73GB2A102J	CHIP R 1.0K J 1/10W	M1
R674			RK73GB2A101J	CHIP R 100 J 1/10W	KK1E1	R716			RK73GB2A101J	CHIP R 100 J 1/10W	KK1E1
R674			RK73GB2A101J	CHIP R 100 J 1/10W	E2E3E4	R716			RK73GB2A101J	CHIP R 100 J 1/10W	E2E3E4
R674			RK73GB2A101J	CHIP R 100 J 1/10W	M1	R716			RK73GB2A101J	CHIP R 100 J 1/10W	M1
R674-683			RK73GB2A101J	CHIP R 100 J 1/10W	M2	R717			RK73GB2A102J	CHIP R 1.0K J 1/10W	KK1E1
R684,685			RK73EB2E102J	CHIP R 1.0K J 1/4W		R717			RK73GB2A102J	CHIP R 1.0K J 1/10W	E2E3E4
R686-689			RK73EB2E101J	CHIP R 100 J 1/4W		R717			RK73GB2A102J	CHIP R 1.0K J 1/10W	M1
R690			RK73EB2E102J	CHIP R 1.0K J 1/4W		R718,719			RK73GB2A101J	CHIP R 100 J 1/10W	KK1E1
R691			RK73GB2A223J	CHIP R 22K J 1/10W		R718,719			RK73GB2A101J	CHIP R 100 J 1/10W	E2E3E4
R692			RK73FB2B822J	CHIP R 8.2K J 1/8W		R718,719			RK73GB2A101J	CHIP R 100 J 1/10W	M1
R693			RK73GB2A101J	CHIP R 100 J 1/10W	M2	R720			RK73GB2A223J	CHIP R 22K J 1/10W	KK1E1
R694			RK73GB2A223J	CHIP R 22K J 1/10W	M2	R720			RK73GB2A223J	CHIP R 22K J 1/10W	E2E3E4
R696			RK73GB2A101J	CHIP R 100 J 1/10W		R720			RK73GB2A223J	CHIP R 22K J 1/10W	M1
R697			RK73GB2A223J	CHIP R 22K J 1/10W	KK1E1	R721,722			RK73GB2A101J	CHIP R 100 J 1/10W	KK1E1
R697			RK73GB2A223J	CHIP R 22K J 1/10W	E2E3E4	R721,722			RK73GB2A101J	CHIP R 100 J 1/10W	E2E3E4
R697			RK73GB2A223J	CHIP R 22K J 1/10W	M1	R721,722			RK73GB2A101J	CHIP R 100 J 1/10W	M1
R698			RK73GB2A223J	CHIP R 22K J 1/10W	M2	R723			RK73GB2A223J	CHIP R 22K J 1/10W	KK1E1
R699			RK73GB2A223J	CHIP R 22K J 1/10W	KK1E1	R723			RK73GB2A223J	CHIP R 22K J 1/10W	E2E3E4
R699			RK73GB2A223J	CHIP R 22K J 1/10W	E2E3E4	R723			RK73GB2A223J	CHIP R 22K J 1/10W	M1
R699			RK73GB2A223J	CHIP R 22K J 1/10W	M1	R724			RK73GB2A101J	CHIP R 100 J 1/10W	KK1E1
R700			RK73GB2A102J	CHIP R 1.0K J 1/10W	KK1E1	R724			RK73GB2A101J	CHIP R 100 J 1/10W	E2E3E4
R700			RK73GB2A102J	CHIP R 1.0K J 1/10W	E2E3E4	R724			RK73GB2A101J	CHIP R 100 J 1/10W	M1
R700			RK73GB2A102J	CHIP R 1.0K J 1/10W	M1	R725			RK73GB2A472J	CHIP R 4.7K J 1/10W	KK1E1
R701			RK73GB2A101J	CHIP R 100 J 1/10W	KK1E1	R725			RK73GB2A472J	CHIP R 4.7K J 1/10W	E2E3E4
R701			RK73GB2A101J	CHIP R 100 J 1/10W	E2E3E4	R725			RK73GB2A472J	CHIP R 4.7K J 1/10W	M1
R701			RK73GB2A101J	CHIP R 100 J 1/10W	M1	R726			RK73GB2A000J	CHIP R 0.0 J 1/10W	KK1E1
R704			RK73GB2A223J	CHIP R 22K J 1/10W	KK1E1	R726			RK73GB2A000J	CHIP R 0.0 J 1/10W	E2E3E4
R704			RK73GB2A223J	CHIP R 22K J 1/10W	E2E3E4	R726			RK73GB2A000J	CHIP R 0.0 J 1/10W	M1
R704			RK73GB2A223J	CHIP R 22K J 1/10W	M1	R727			RK73GB2A105J	CHIP R 1.0M J 1/10W	KK1E1
R705			RK73GB2A101J	CHIP R 100 J 1/10W	KK1E1	R727			RK73GB2A105J	CHIP R 1.0M J 1/10W	E2E3E4
R705			RK73GB2A101J	CHIP R 100 J 1/10W	E2E3E4	R727			RK73GB2A105J	CHIP R 1.0M J 1/10W	M1
R705			RK73GB2A101J	CHIP R 100 J 1/10W	M1	R728			RK73GB2A223J	CHIP R 22K J 1/10W	KK1E1

K : KDC-X592 K1 : KDC-MP538U M1 : KDC-MP6539U M2 : KDC-MP6039  
E1 : KDC-W6541U E2 : KDC-W6641UY E3 : KDC-W6041U E4 : KDC-W6141UY

△ Indicates safety critical components.

# PARTS LIST

## ELECTRIC UNIT (X34-588x-xx)

Ref. No.	Ad	New	Parts No.	Description	Destination	Ref. No.	Ad	New	Parts No.	Description	Destination
R728			RK73GB2A223J	CHIP R 22K J 1/10W	E2E3E4	R756			RK73GB2A101J	CHIP R 100 J 1/10W	M1
R728			RK73GB2A223J	CHIP R 22K J 1/10W	M1	R757			RK73GB2A473J	CHIP R 47K J 1/10W	KK1E1
R729			RK73GB2A330J	CHIP R 33 J 1/10W	KK1E1	R757			RK73GB2A473J	CHIP R 47K J 1/10W	E2E3E4
R729			RK73GB2A330J	CHIP R 33 J 1/10W	E2E3E4	R757			RK73GB2A473J	CHIP R 47K J 1/10W	M1
R729			RK73GB2A330J	CHIP R 33 J 1/10W	M1	R758			RK73GH2A104D	CHIP R 100K D 1/10W	KK1E1
R730			RK73GB2A153J	CHIP R 15K J 1/10W	KK1E1	R758			RK73GH2A104D	CHIP R 100K D 1/10W	E2E3E4
R730			RK73GB2A153J	CHIP R 15K J 1/10W	E2E3E4	R758			RK73GH2A104D	CHIP R 100K D 1/10W	M1
R730			RK73GB2A153J	CHIP R 15K J 1/10W	M1	R762-764			RK73GB2A473J	CHIP R 47K J 1/10W	KK1E1
R731			RK73GB2A330J	CHIP R 33 J 1/10W	KK1E1	R762-764			RK73GB2A473J	CHIP R 47K J 1/10W	E2E3E4
R731			RK73GB2A330J	CHIP R 33 J 1/10W	E2E3E4	R762-764			RK73GB2A473J	CHIP R 47K J 1/10W	M1
R731			RK73GB2A330J	CHIP R 33 J 1/10W	M1	R767			RK73GB2A223J	CHIP R 22K J 1/10W	KK1E1
R732			RK73GB2A153J	CHIP R 15K J 1/10W	KK1E1	R767			RK73GB2A223J	CHIP R 22K J 1/10W	E2E3E4
R732			RK73GB2A153J	CHIP R 15K J 1/10W	E2E3E4	R767			RK73GB2A223J	CHIP R 22K J 1/10W	M1
R732			RK73GB2A153J	CHIP R 15K J 1/10W	M1	R768			RK73GB2A333J	CHIP R 33K J 1/10W	KK1E1
R733			RK73GB2A472J	CHIP R 4.7K J 1/10W	KK1E1	R768			RK73GB2A333J	CHIP R 33K J 1/10W	E2E3E4
R733			RK73GB2A472J	CHIP R 4.7K J 1/10W	E2E3E4	R768			RK73GB2A333J	CHIP R 33K J 1/10W	M1
R733			RK73GB2A472J	CHIP R 4.7K J 1/10W	M1	R769			RK73FB2B2R2J	CHIP R 2.2 J 1/8W	KK1E1
R734-737			RK73GB2A101J	CHIP R 100 J 1/10W	KK1E1	R769			RK73FB2B2R2J	CHIP R 2.2 J 1/8W	E2E3E4
R734-737			RK73GB2A101J	CHIP R 100 J 1/10W	E2E3E4	R769			RK73FB2B2R2J	CHIP R 2.2 J 1/8W	M1
R734-737			RK73GB2A101J	CHIP R 100 J 1/10W	M1	R781			RK73GB2A000J	CHIP R 0.0 J 1/10W	KK1E1
R738			RK73GB2A223J	CHIP R 22K J 1/10W	KK1E1	R781			RK73GB2A000J	CHIP R 0.0 J 1/10W	E2E3E4
R738			RK73GB2A223J	CHIP R 22K J 1/10W	E2E3E4	R781			RK73GB2A000J	CHIP R 0.0 J 1/10W	M1
R738			RK73GB2A223J	CHIP R 22K J 1/10W	M1	W71-75			R92-2053-05	CHIP R 0 OHM J 1/8W	
R739,740			RK73GB2A101J	CHIP R 100 J 1/10W	KK1E1	W101			R92-2053-05	CHIP R 0 OHM J 1/8W	K1E1E2
R739,740			RK73GB2A101J	CHIP R 100 J 1/10W	E2E3E4	W101			R92-2053-05	CHIP R 0 OHM J 1/8W	E3E4M1
R739,740			RK73GB2A101J	CHIP R 100 J 1/10W	M1	W101			R92-2053-05	CHIP R 0 OHM J 1/8W	M2
R741			RK73GB2A332J	CHIP R 3.3K J 1/10W	KK1E1	W304			R92-2053-05	CHIP R 0 OHM J 1/8W	E1E2E3
R741			RK73GB2A332J	CHIP R 3.3K J 1/10W	E2E3E4	W304			R92-2053-05	CHIP R 0 OHM J 1/8W	E4
R741			RK73GB2A332J	CHIP R 3.3K J 1/10W	M1	D1			S2V60-5009F46	DIODE	
R742			RK73GB2A101J	CHIP R 100 J 1/10W	KK1E1	D21	*		D1FJ4	DIODE	
R742			RK73GB2A101J	CHIP R 100 J 1/10W	E2E3E4	D22			UDZW5.6 (B)	ZENER DIODE	
R742			RK73GB2A101J	CHIP R 100 J 1/10W	M1	D31			UDZW8.2 (B)	ZENER DIODE	
R743			RK73GB2A332J	CHIP R 3.3K J 1/10W	KK1E1	D41			UDZW10 (B)	ZENER DIODE	
R743			RK73GB2A332J	CHIP R 3.3K J 1/10W	E2E3E4	D42			DAP202U	DIODE	
R743			RK73GB2A332J	CHIP R 3.3K J 1/10W	M1	D51	*		UDZW15 (B)	ZENER DIODE	
R744-746			RK73GB2A101J	CHIP R 100 J 1/10W	KK1E1	D61			EC31QS04AG	DIODE	
R744-746			RK73GB2A101J	CHIP R 100 J 1/10W	E2E3E4	D71-73	*		D1FJ4	DIODE	
R744-746			RK73GB2A101J	CHIP R 100 J 1/10W	M1	D74	*		UDZW9.1 (B)	ZENER DIODE	
R747			RK73GB2A223J	CHIP R 22K J 1/10W	KK1E1	D75			DAP202U	DIODE	
R747			RK73GB2A223J	CHIP R 22K J 1/10W	E2E3E4	D101			UDZW12 (B)	ZENER DIODE	K
R747			RK73GB2A223J	CHIP R 22K J 1/10W	M1	D102			UDZW5.6 (B)	ZENER DIODE	K
R750			RK73GB2A515J	CHIP R 5.1M J 1/10W	KK1E1	D103			D1F60-5063	DIODE	K
R750			RK73GB2A515J	CHIP R 5.1M J 1/10W	E2E3E4	D104			DAP202U	DIODE	K
R750			RK73GB2A515J	CHIP R 5.1M J 1/10W	M1	D121			UDZW6.8 (B)	ZENER DIODE	
R751			RK73GB2A473J	CHIP R 47K J 1/10W	KK1E1	D123			UDZW6.8 (B)	ZENER DIODE	
R751			RK73GB2A473J	CHIP R 47K J 1/10W	E2E3E4	D124			UDZW6.2 (B)	ZENER DIODE	
R751			RK73GB2A473J	CHIP R 47K J 1/10W	M1	D141,142			D1F60-5063	DIODE	
R752,753			RK73GB2A101J	CHIP R 100 J 1/10W	KK1E1	D143			DAP202U	DIODE	
R752,753			RK73GB2A101J	CHIP R 100 J 1/10W	E2E3E4	D144,145			D1F60-5063	DIODE	
R752,753			RK73GB2A101J	CHIP R 100 J 1/10W	M1	D151			UDZW4.7 (B)	ZENER DIODE	
R754,755			RK73GB2A473J	CHIP R 47K J 1/10W	KK1E1	D161			UDZW6.2 (B)	ZENER DIODE	
R754,755			RK73GB2A473J	CHIP R 47K J 1/10W	E2E3E4	D201,202			AVRL1613R3FTA	VARISTOR	KK1E1
R754,755			RK73GB2A473J	CHIP R 47K J 1/10W	M1	D201,202			AVRL1613R3FTA	VARISTOR	E2E3E4
R756			RK73GB2A101J	CHIP R 100 J 1/10W	KK1E1	D201,202			AVRL1613R3FTA	VARISTOR	M1
R756			RK73GB2A101J	CHIP R 100 J 1/10W	E2E3E4						

K : KDC-X592 K1 : KDC-MP538U M1 : KDC-MP6539U M2 : KDC-MP6039  
E1 : KDC-W6541U E2 : KDC-W6641UY E3 : KDC-W6041U E4 : KDC-W6141UY

△Indicates safety critical components.

# KDC-MP538U/MP6039/MP6539U/ W6041U/W6141UY/W6541U/W6641UY/X592 PARTS LIST

## ELECTRIC UNIT (X34-588x-xx)

Ref. No.	Add	New	Parts No.	Description	Destination	Ref. No.	Add	New	Parts No.	Description	Destination
D331			DA204U	DIODE		Q44			DTC124EUA	DIGITAL TRANSISTOR	
D401			DAP202U	DIODE	E3E4	Q51			KTA1046-P	TRANSISTOR	
D401,402			DAP202U	DIODE	KK1E1	Q52			2SC4081	TRANSISTOR	
D401,402			DAP202U	DIODE	E2M1M2	Q71			2SB1184	TRANSISTOR	
D421-423			UDZW6.8 (B)	ZENER DIODE		Q72			2SC4081	TRANSISTOR	
D431-433			UDZW6.8 (B)	ZENER DIODE		Q81			2SC2713-F	TRANSISTOR	
D434			UDZW6.2 (B)	ZENER DIODE		Q82			2SB1260	TRANSISTOR	
D439			UDZW6.2 (B)	ZENER DIODE		Q101			2SB1443	TRANSISTOR	K
D453-455			DAP202U	DIODE		Q102,103			2SC4081	TRANSISTOR	K
D501,502			DAP202U	DIODE		Q104			DTA124EUA	DIGITAL TRANSISTOR	K
D611			DA204K	DIODE		Q105			DTC124EUA	DIGITAL TRANSISTOR	K
IC11			M5237ML-CF0J	ANALOGUE IC		Q121-123			2SC4081	TRANSISTOR	
IC21			R1114N331B-TR	ANALOGUE IC	KK1E1	Q141			2SB1188 (Q,R)	TRANSISTOR	
IC21			R1114N331B-TR	ANALOGUE IC	E2E3E4	Q142			2SA1576A	TRANSISTOR	
IC21			R1114N331B-TR	ANALOGUE IC	M1	Q143			DTA114EUA	DIGITAL TRANSISTOR	
IC61	3D		Impossible to replace	ANALOGUE IC (See exploded view)		Q144			DTC114YUA	DIGITAL TRANSISTOR	
IC71			LT3467A	ANALOGUE IC		Q145			2SB1188 (Q,R)	TRANSISTOR	KK1M1
IC101			NJM4565V-ZB	ANALOGUE IC	K	Q145			2SB1188 (Q,R)	TRANSISTOR	M2
IC211			STMP2151STR	MOS-IC	KK1E1	Q146			DTC114YUA	DIGITAL TRANSISTOR	KK1M1
IC211			STMP2151STR	MOS-IC	E2E3E4	Q146			DTC114YUA	DIGITAL TRANSISTOR	M2
IC211			STMP2151STR	MOS-IC	M1	Q151			DTC144EUA	DIGITAL TRANSISTOR	
IC301			E-TDA7478AD	ANALOGUE IC	E1E2E3	Q321			2SA1577	TRANSISTOR	
IC301			E-TDA7478AD	ANALOGUE IC	E4	Q322			DTC124EUA	DIGITAL TRANSISTOR	
IC331			NJM4565V-ZB	ANALOGUE IC		Q331			2SC4617	TRANSISTOR	
IC451			E-TDA7415CB	ANALOGUE IC		Q401-404			DTC143TUA	DIGITAL TRANSISTOR	E1E2
IC501			E-TDA7850A	ANALOGUE IC		Q401-406			DTC143TUA	DIGITAL TRANSISTOR	KK1M1
IC601		*	30624MGPB75GP	MICROCONTROLLER IC	KK1E1	Q401-406			DTC143TUA	DIGITAL TRANSISTOR	M2
IC601		*	30624MGPB75GP	MICROCONTROLLER IC	E2E3E4	Q401,402			DTC143TUA	DIGITAL TRANSISTOR	E3E4
IC601		*	30624MGPB75GP	MICROCONTROLLER IC	M1	Q407			DTA124EUA	DIGITAL TRANSISTOR	E3E4
IC601		*	30624MWPB76GP	MICROCONTROLLER IC	M2	Q407,408			DTA124EUA	DIGITAL TRANSISTOR	KK1E1
IC602			XC6120N362N1	MOS-IC		Q407,408			DTA124EUA	DIGITAL TRANSISTOR	E2M1M2
IC603			BR24L04FV-W	ROM IC		Q601			DTC114YUA	DIGITAL TRANSISTOR	M2
IC604			74HC2G02DP	MOS-IC		Q602			DTC114YUA	DIGITAL TRANSISTOR	KK1E1
IC605			74AHCT08PW	MOS-IC		Q602			DTC114YUA	DIGITAL TRANSISTOR	E2E3E4
IC607			74LVC08APW	MOS-IC		Q602			DTC114YUA	DIGITAL TRANSISTOR	M1
IC700		*	92CD28AFG6V1	MICROCONTROLLER IC	KK1E1	Q603			DTA114YUA	DIGITAL TRANSISTOR	KK1E1
IC700		*	92CD28AFG6V1	MICROCONTROLLER IC	E2E3E4	Q603			DTA114YUA	DIGITAL TRANSISTOR	E2E3E4
IC700		*	92CD28AFG6V1	MICROCONTROLLER IC	M1	Q603			DTA114YUA	DIGITAL TRANSISTOR	M1
IC750	2D		Impossible to replace	MPU IC (See exploded view)	KK1E1	Q681			2SA1577	TRANSISTOR	
IC750	2D		Impossible to replace	MPU IC (See exploded view)	E2E3E4	Q682			DTC124EUA	DIGITAL TRANSISTOR	
IC750	2D		Impossible to replace	MPU IC (See exploded view)	M1	Q683			DTC114YUA	DIGITAL TRANSISTOR	M2
Q11			KTA1046-P	TRANSISTOR		Q684			DTA114YUA	DIGITAL TRANSISTOR	M2
Q12			DTA124EUA	DIGITAL TRANSISTOR		Q702			DTC114YUA	DIGITAL TRANSISTOR	KK1E1
Q13			DTC124EUA	DIGITAL TRANSISTOR		Q702			DTC114YUA	DIGITAL TRANSISTOR	E2E3E4
Q21			KTA1046-P	TRANSISTOR		Q702			DTC114YUA	DIGITAL TRANSISTOR	M1
Q22			2SC4081	TRANSISTOR		Q703			2SA1577	TRANSISTOR	KK1E1
Q23			2SA1577	TRANSISTOR		Q703			2SA1577	TRANSISTOR	E2E3E4
Q24			DTC124EUA	DIGITAL TRANSISTOR		Q703			2SA1577	TRANSISTOR	M1
Q31			KTA1046-P	TRANSISTOR		Q704,705			DTC114YUA	DIGITAL TRANSISTOR	KK1E1
Q32			2SC4081	TRANSISTOR		Q704,705			DTC114YUA	DIGITAL TRANSISTOR	E2E3E4
Q33			DTA124EUA	DIGITAL TRANSISTOR		Q704,705			DTC114YUA	DIGITAL TRANSISTOR	M1
Q34			DTC124EUA	DIGITAL TRANSISTOR		TH500			PRF18BE471QS2	POSITIVE RESISTOR	
Q41			KTA1046-P	TRANSISTOR							
Q42			2SC4081	TRANSISTOR							
Q43			DTA124EUA	DIGITAL TRANSISTOR							
						A322	2D		X86-4030-11	FRONT-END UNIT	KK1M1
						A322	2D		X86-4030-11	FRONT-END UNIT	M2

**K** : KDC-X592    **K1** : KDC-MP538U    **M1** : KDC-MP6539U    **M2** : KDC-MP6039  
**E1** : KDC-W6541U    **E2** : KDC-W6641UY    **E3** : KDC-W6041U    **E4** : KDC-W6141UY

△ Indicates safety critical components.

# PARTS LIST

## ELECTRIC UNIT (X34-588x-xx)

Ref. No.	A d d	N e w	Parts No.	Description	Desti- nation
A322	2D		X86-4032-70	FRONT-END UNIT	E1E2E3
A322	2D		X86-4032-70	FRONT-END UNIT	E4
<b>MECHANISM ASSY (X92-6130-00) DXM-6E20W</b>					
1	2B		A10-5328-31	CHASSIS	
2	1B		A10-5329-11	CHASSIS	
5	2B		D10-4910-13	ARM ASSY	
8	2A		D10-4911-23	LEVER ASSY	
10	2A		D10-4906-33	ARM	
11	2A		D10-4907-33	ARM	
12	3A		D10-4908-03	ARM	
13	3A		D10-4909-03	ARM	
14	3B		D10-4915-03	ARM	
15	2A		D10-4916-23	SLIDER	
16	3B		D10-4914-22	SLIDER	
17	2B		D10-4588-13	SLIDER	
18	2B		D10-4917-04	ARM	
19	2B		D10-4596-24	ARM	
22	2A		D13-2151-04	GEAR	
23	2B		D13-2152-04	GEAR	
24	3B		D13-2153-04	GEAR	
25	3B		D13-2154-04	GEAR	
26	3B		D13-2155-04	WORM	
27	2B		D13-2156-14	GEAR	
28	3B		D13-2157-04	GEAR	
29	2B		D13-2158-04	GEAR	
30	2B		D13-2168-04	GEAR	
31	3B		D13-2171-04	GEAR	
32	1B	*	D13-2400-23	RACK (GEAR)	
33	2A		D14-0759-04	ROLLER	
35	2B		D21-2382-04	SHAFT	
36	1A		D23-0954-04	RETAINER	
37	1B		D39-0271-05	DAMPER	
38	2B		G01-3072-04	EXTENSION SPRING	
39	2A		G01-3073-04	TORSION COIL SPRING	
40	2A		G01-3074-04	EXTENSION SPRING	
41	1B		G01-4615-04	EXTENSION SPRING	
42	2A		G01-3076-04	EXTENSION SPRING	
43	1B		G01-3077-14	EXTENSION SPRING	
44	2B		G02-1399-14	FLAT SPRING	
45	2B		G02-1547-14	FLAT SPRING	
51	1A		J22-0473-21	MOUNTING HARDWARE	
52	3B		J22-0474-12	MOUNTING HARDWARE	
53	1B		J22-0519-13	MOUNTING HARDWARE	
55	1A		J90-1138-41	GUIDE	
56	1B		J90-1023-03	GUIDE	
DPC1	3A		J86-0039-05	FPC (LEAD FREE)	
A	2B		N09-4460-15	TAPTITE SCREW (PT2X8)	
B	1B		N09-6317-05	TAPTITE SCREW (1.6X6.0)	
C	2B		N09-6004-15	MACHINE SCREW (M1.7X2.5)	
E	2B		N09-6007-15	MACHINE SCREW (M2X2)	
F	1A		N09-6051-15	TAPTITE SCREW (PT2X5)	
G	2A		N19-2163-04	FLAT WASHER (1.6X6X0.25)	

Ref. No.	A d d	N e w	Parts No.	Description	Desti- nation
H	1B		N39-2020-48	PAN HEAD MACHINE SCREW (M2X2)	
J	1B		N09-6108-15	TAPTITE SCREW (M2X3.5)	
K	3B		N09-6155-15	SEMS (TAPTITE SCREW) (PT2X6)	
DM1	3B		T42-1066-14	DC MOTOR (SPINDLE)	
DM2	2B		T42-1067-14	DC MOTOR (LOADING/SLED)	
DPU1	2B		X93-2130-01	OPTICAL PICKUP ASSY	