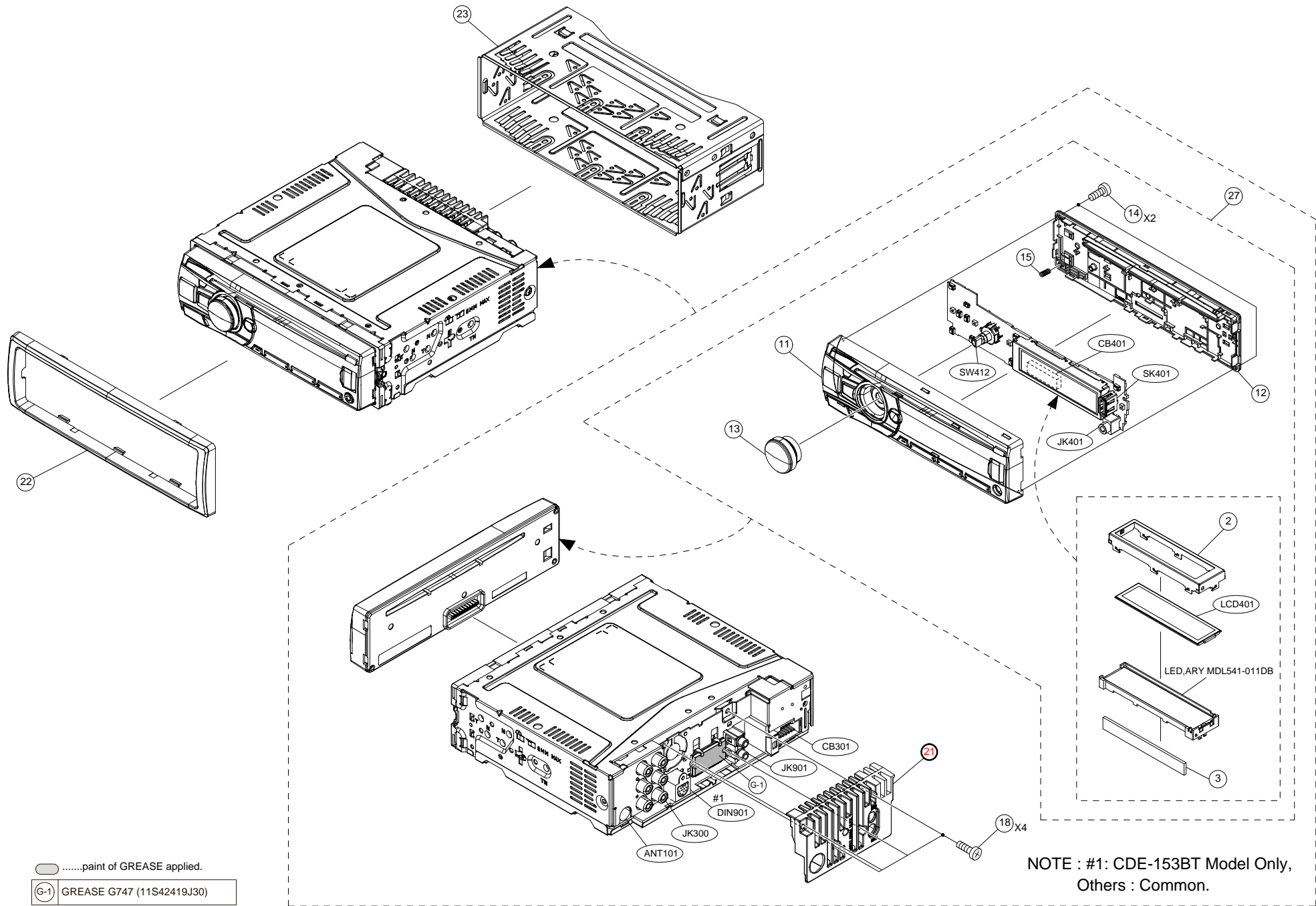


# Exploded View (Cabinet) (1/2)

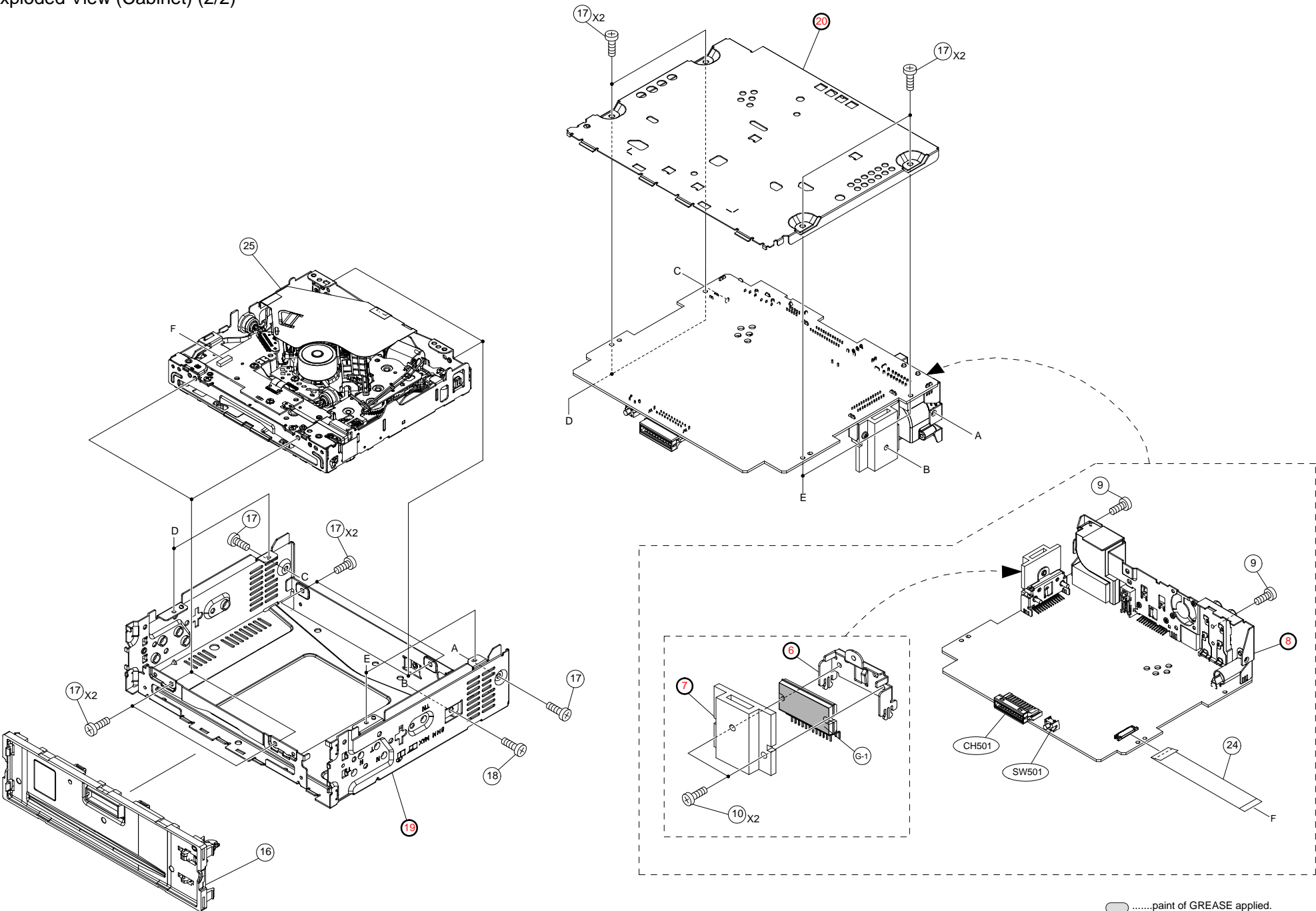


.....paint of GREASE applied.

G-1 GREASE G747 (11S42419J30)

NOTE : #1: CDE-153BT Model Only,  
Others : Common.

Exploded View (Cabinet) (2/2)



.....paint of GREASE applied.

G-1 GREASE G747 (11S42419J30)

MODEL	Symbol No.	Parts No.	Description
	<a href="#">2</a>	15-26770Z01	COVER,LCD
	<a href="#">3</a>	75-27131Z01	RUBBER,GSS
	<a href="#">6</a>	-----	BKT,IC SYS
	<a href="#">7</a>	-----	HEAT,SINK SYS
	<a href="#">8</a>	-----	BKT,CHAS REAR
	<a href="#">9</a>	03S60825Y04	SCR,B-T 3X8 ZN A
	<a href="#">10</a>	03S60822Y22	SCR,S-T 2.6X14 ZN A
#1	<a href="#">11</a>	EN-26704Z01	NOSE,PIECE ASSY
\$1	<a href="#">11</a>	EN-26704Z03	NOSE,PIECE ASSY
%1	<a href="#">11</a>	EN-26704Z09	NOSE,PIECE ASSY
	<a href="#">12</a>	13-26700Z01	NOSE,BOTTOM
	<a href="#">13</a>	36-24673Z01	KNOB,ROTARY ASSY
	<a href="#">14</a>	03-02876Z28	SCR,WEV 1.7X7 ZB A
	<a href="#">15</a>	41-05515Z01	SPRING,OPEN
	<a href="#">16</a>	EN-24496Z02	NOSE,BASE ASSY
	<a href="#">17</a>	03S60822Y13	SCR,S-T 2.6X6 ZN A
	<a href="#">18</a>	03S60822Y22	SCR,S-T 2.6X14 ZN A
	<a href="#">19</a>	-----	CHAS,BASE
	<a href="#">20</a>	-----	COVER,BOTTOM
	<a href="#">21</a>	-----	HEAT,SINK PWR
	<a href="#">22</a>	33-23980Z01	FACE,PLATE
	<a href="#">23</a>	15-24381Z01	CASE,INNER
	<a href="#">24</a>	30-26758Z01	MPCP0.5-24P-T1x115
	<a href="#">25</a>	DP-25014Z01	DP86Z7BA-V
#1	<a href="#">27</a>	SU-28154Z01	SERVICE_NOSE_153BT
\$1	<a href="#">27</a>	SU-28156Z01	SERVICE_NOSE_153EBT
%1	<a href="#">27</a>	SU-28151Z01	SERVICE_NOSE_153CBT
	<a href="#">ANT101</a>	09-26262Z01	ANT,ARL43.644.692-DB
	<a href="#">CB301</a>	09-28001Z01	ASSY,A090A0101 -DB
	<a href="#">CB401</a>	09-18716Z01	BTB,DF20-P -EJ
	<a href="#">CH501</a>	09-18738Z01	BTB,DF20-S -DB
#1	<a href="#">DIN901</a>	09-18874Z01	DIN,TCS7718-012117DB
	<a href="#">JK300</a>	09-25331Z01	RCA,RJ-1346B09-0H0DB
	<a href="#">JK401</a>	09-27672Z01	JAC,CK-3552 -DB
	<a href="#">JK901</a>	09-14149Z01	JAC,CK3-3.5-14D -DB
#1	<a href="#">LCD401</a>	65-26734Z01	LCD,EI0222M0TTN(S)
\$1	<a href="#">LCD401</a>	65-26734Z02	LCD,EI0223M0TTN(S)
%1	<a href="#">LCD401</a>	65-26734Z02	LCD,EI0223M0TTN(S)
	<a href="#">SK401</a>	09-19382Z01	SKT,CM-V105 -DB
	<a href="#">SW412</a>	40-10735Z02	ENC,EC12D1524405 -DB
	<a href="#">SW501</a>	40T16096W03	SW ,TACT SKHHLW

Mark Model Code

#1 CDE-153BT Only,

\$1 CDE-153EBT Only,

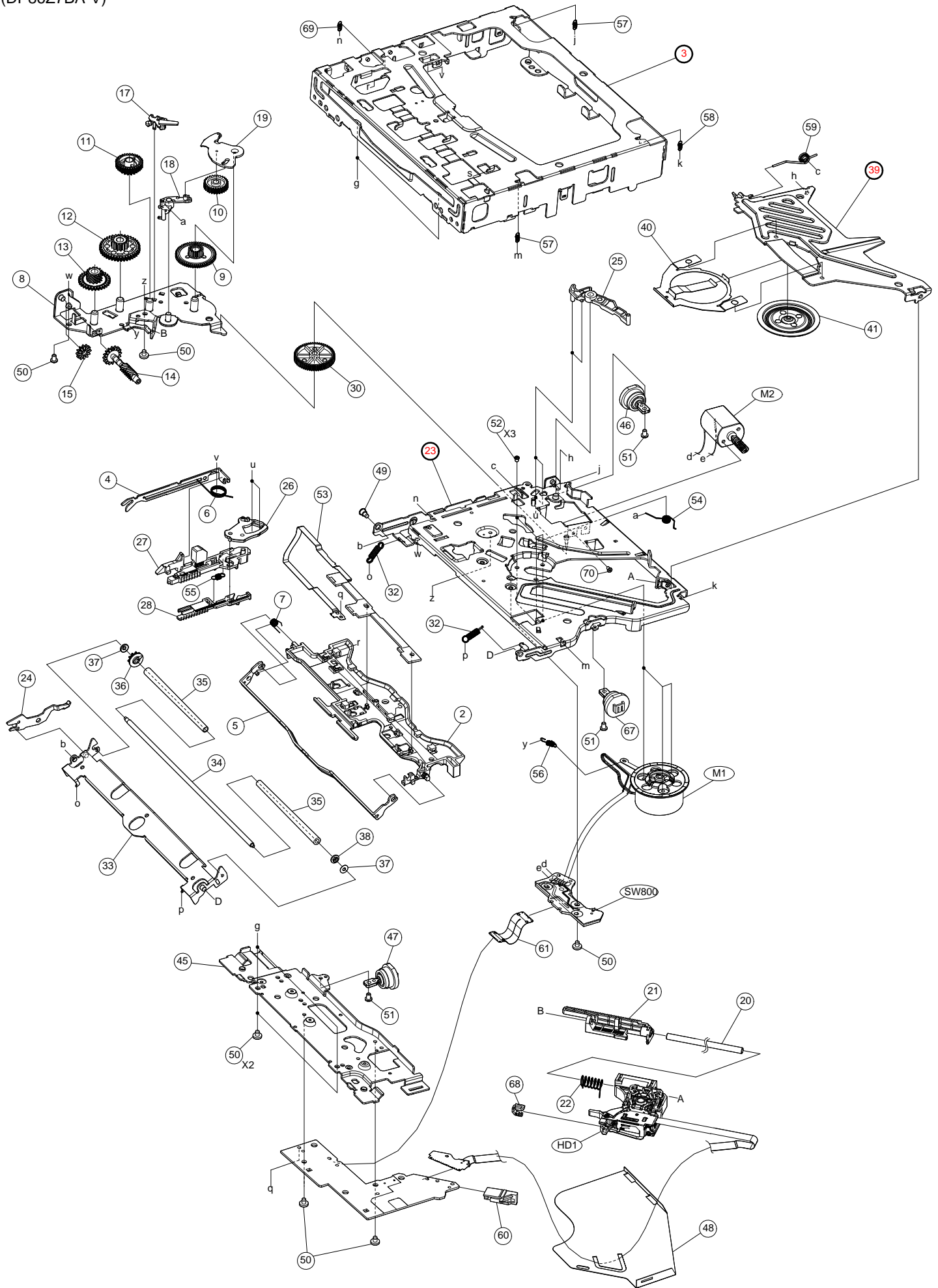
%1 CDE-153CBT Only,

Others:Common.

NOTE:The part that has not PART NUMBER will not be supplied.

# Exploded View (CD Deck Mechanism)

(DP86Z7BA-V)



MODEL	Symbol No.	Parts No.	Description
	<a href="#">2</a>	15-18550Z02	GUIDE, TOP DP-R
	<a href="#">3</a>	-----	CHAS, TOP V DP-Z
	<a href="#">4</a>	45-18546Z02	SLIDER, SHUTTER DP-R
	<a href="#">5</a>	45-25737Z01	ARM, SHUTTER V DP-Z
	<a href="#">6</a>	41-25310Z02	SPRING, TOR SLD SHUT
	<a href="#">7</a>	41-19038Z02	SPRING, TOR SHUTTER
	<a href="#">8</a>	07-25728Z01	BKT, GEAR V DP-Z
	<a href="#">9</a>	44-18560Z02	GEAR, 2 DP-R
	<a href="#">10</a>	44-18561Z02	GEAR, 3 DP-R
	<a href="#">11</a>	44-25733Z01	GEAR, 4 V DP-Z
	<a href="#">12</a>	44-18563Z04	GEAR, 5 DP-Z
	<a href="#">13</a>	44-18564Z02	GEAR, 6 DP-R
	<a href="#">14</a>	44-25734Z01	GEAR, 7 V DP-Z
	<a href="#">15</a>	44-22408Z02	GEAR, 8 DP-R 2
	<a href="#">17</a>	07-18556Z02	BKT, IDLER DP-R
	<a href="#">18</a>	45-18568Z02	LEVER, PICK DP-R
	<a href="#">19</a>	45-18569Z02	LEVER, GEAR DP-R
	<a href="#">20</a>	47-26009Z01	SHAFT, PICK V DP-Z
	<a href="#">21</a>	44-18574Z02	RACK, SLED DP-R
	<a href="#">22</a>	41-19044Z02	SPRING, SLED DP-R
	<a href="#">23</a>	-----	ASSY, RIV CHAS DRIVE
	<a href="#">24</a>	45-18548Z02	LEVER, ROLLER DP-R
	<a href="#">25</a>	45-18570Z02	LEVER, TRIGGER DP-R
	<a href="#">26</a>	45-18571Z02	LEVER, LOCK DP-R
	<a href="#">27</a>	45-25736Z01	SLIDER, LOAD V DP-Z
	<a href="#">28</a>	45-18573Z02	SLIDER, TRIGGER DP-R
	<a href="#">30</a>	44-25732Z01	GEAR, 1 V DP-Z
	<a href="#">32</a>	41-19046Z01	SPRING, COIL ROLLER
	<a href="#">33</a>	45-22132Z02	ARM, DISC GUIDE 2
	<a href="#">34</a>	47-26010Z01	SHAFT, ROLLER V DP-Z
	<a href="#">35</a>	49-26011Z01	ROLLER, DP-Z
	<a href="#">36</a>	44-18567Z02	GEAR, ROLLER DP-R
	<a href="#">37</a>	43-18554Z02	BUSH, ROLLER DP-R
	<a href="#">38</a>	04S40075G88	WAS, LOC 1.7X4.5X0.25
	<a href="#">39</a>	-----	ARM, CLAMP V DP-Z
	<a href="#">40</a>	41-25725Z01	SPRING, CLAMP V DP-Z
	<a href="#">41</a>	43-18552Z02	TABLE, CLAMPER DP-R
	<a href="#">45</a>	07-25726Z01	BKT, DAMPER V DP-Z
	<a href="#">46</a>	75-20957Z04	DAMPER, DP-Z 2
	<a href="#">47</a>	75-20957Z02	DAMPER, DP-Z 2
	<a href="#">48</a>	14-25697Z02	INSULATOR, FPC DP-Z

Mark Model Code

- #1 CDE-150 Only,
- #2 CDE-150E(General Foreign Model) Only,
- \$1 CDE-150E(Thai Model) Only,
- %1 CDE-150E(Arabic Model) Only,
- &1 CDE-150C Only,

Others:Common.

NOTE:The part that has not PART NUMBER will not be supplied.

MODEL	Symbol No.	Parts No.	Description
	<a href="#">49</a>	03-26029Z02	SCR,ARM GUIDE V DP-Z
	<a href="#">50</a>	03-00340Z32	SCR,S-T 2X3.5 ZB A
	<a href="#">51</a>	03-24468Z04	SCR,S-T 2X4 ZN A
	<a href="#">52</a>	03-01599Z17	SCR,MCH 1.7X1.7 NN
	<a href="#">53</a>	84-26028Z01	FPC,LED V DP-Z
	<a href="#">54</a>	41-19043Z01	SPRING,TOR LEV PICK
	<a href="#">55</a>	41-19041Z01	SPRING,COIL TRIGGER
	<a href="#">56</a>	41-20950Z01	SPRING,COIL SPINDLE
	<a href="#">57</a>	41-26008Z01	SPRING,COIL DRIVE-F
	<a href="#">58</a>	41-26008Z02	SPRING,COIL DRIVE-R
	<a href="#">59</a>	41-19042Z02	SPRING,TOR CLAMP
	<a href="#">60</a>	07-23319Z02	BKT,FPC PICK DP-Z
	<a href="#">61</a>	84-26406Z01	FPC,DRIVE B V DP-Z
	<a href="#">67</a>	75-20957Z01	DAMPER,DP-Z 2
	<a href="#">68</a>	15-25731Z01	GUIDE,PICK V DP-Z
	<a href="#">69</a>	41-26008Z03	SPRING,COIL DRIVE-F2
	<a href="#">70</a>	03-14213Z01	SCR,TRU-STAR M2X2
	<a href="#">HD1</a>	EP-17785Z04	EP21A99NV-M
	<a href="#">M1</a>	66-26081Z68	ASSY,MTR SPDL V DP-Z
	<a href="#">M2</a>	66-26081Z69	ASSY,MTR SLED V DP-Z
	<a href="#">SW800</a>	40-24933Z01	SW,DETCT SPVT1102-E6

Mark Model Code

#1 CDE-150 Only,

#2 CDE-150E(General Foreign Model) Only,

\$1 CDE-150E(Thai Model) Only,

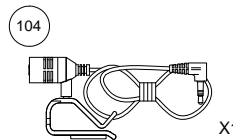
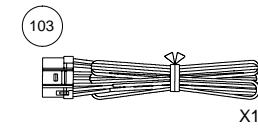
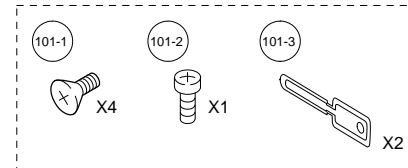
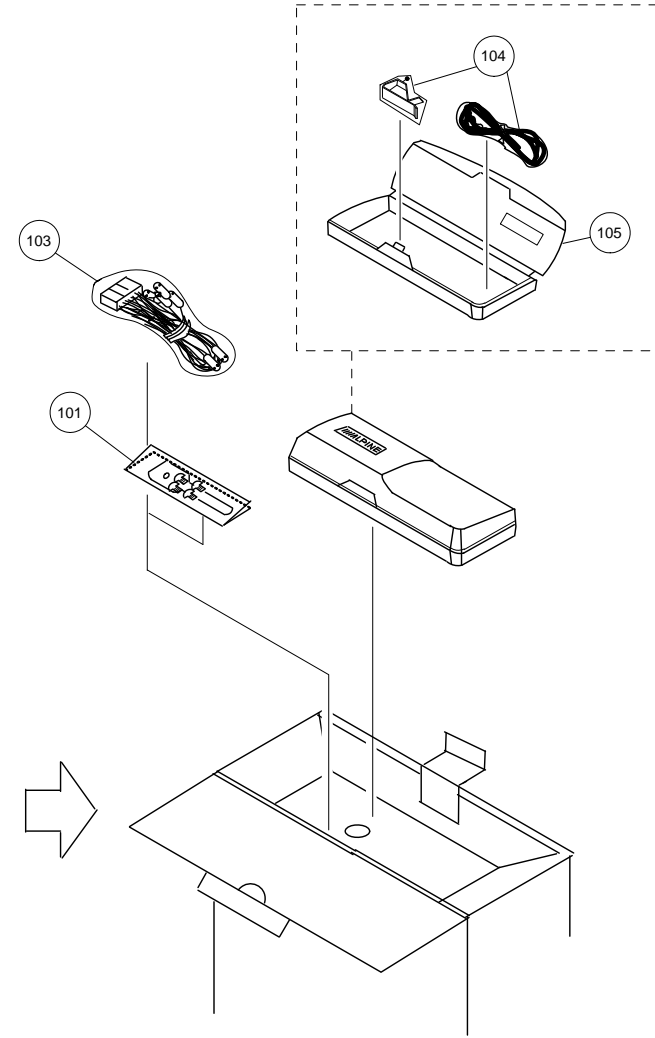
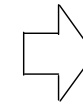
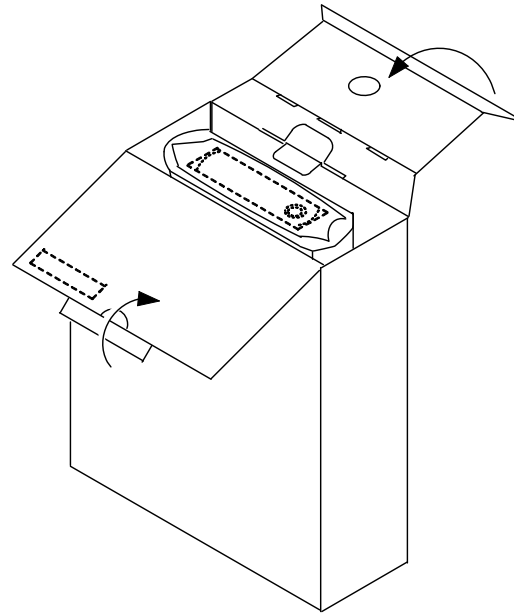
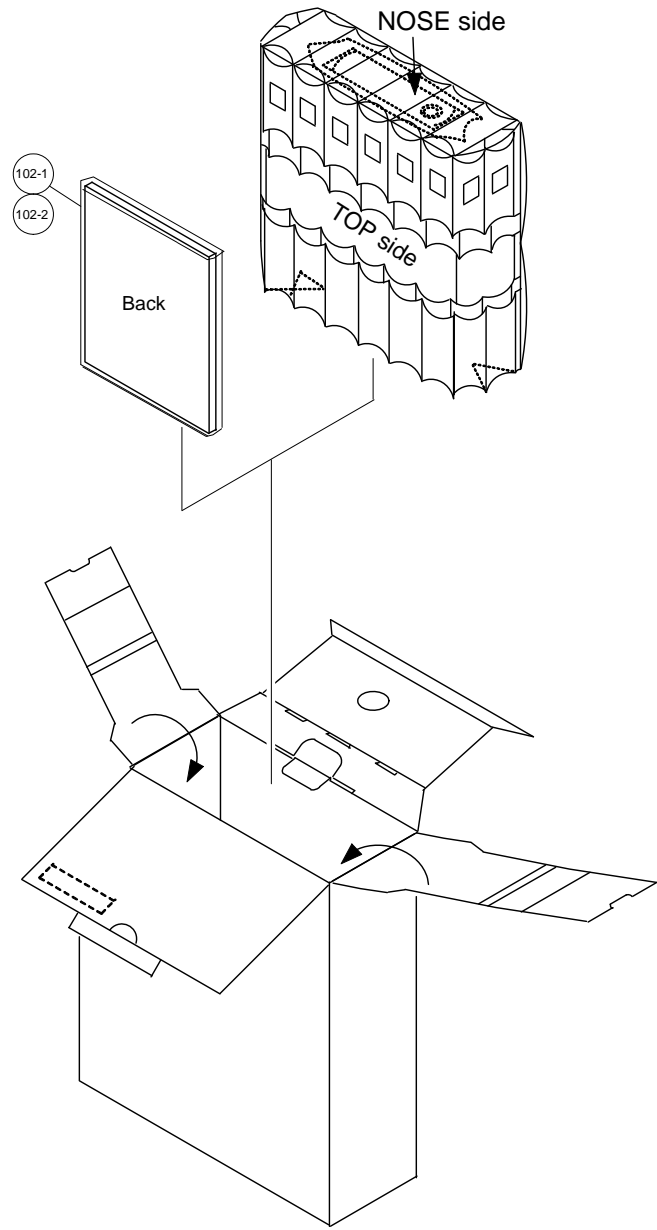
%1 CDE-150E(Arabic Model) Only,

&1 CDE-150C Only,

Others:Common.

NOTE:The part that has not PART NUMBER will not be supplied.

# Packing Method View



MODEL	Symbol No.	Parts No.	Description
-------	------------	-----------	-------------

	<a href="#">101-1</a>	03S60820Y16	SCR,MCH 5X8 ZN A
	<a href="#">101-2</a>	03S60824Y01	SCR,WEV 1.7X4 ZN A
	<a href="#">101-3</a>	07-24382Z01	BKT,RELEASE
#1	<a href="#">102-1</a>	68-10334Z64	O/M-CDROM AOTH
\$1	<a href="#">102-1</a>	68-24567Z34	O/M AOAP AOTH
%1	<a href="#">102-1</a>	68-24567Z39	O/M AOCH AOTH
#1	<a href="#">102-2</a>	68-24567Z33	C/N-QRG AOAM AOTH
#1	<a href="#">103</a>	09-25214Z03	ASSY,ATTC-0081-03A
\$1	<a href="#">103</a>	09-25214Z05	ASSY,ATTC-0081-02A
%1	<a href="#">103</a>	09-25214Z04	ASSY,ATTC-0081-01A
	<a href="#">104</a>	50-14386Z03	ASSY,LYS-M9750-FUL
	<a href="#">105</a>	15-24676Z01	CARRYING,CASE ASSY

Mark Model Code

#1 CDE-153BT Only,

\$1 CDE-153EBT Only,

%1 CDE-153CBT Only,

Others:Common.

NOTE:The part that has not PART NUMBER will not be supplied.

P.W.Board	MIS	MODEL	Ref.	Parts No.	Parts Name
-----------	-----	-------	------	-----------	------------

MAIN-P.W.Board			<a href="#">ANT101</a>	09-26262Z01	ANT,ARL43.644.692-DB
MAIN-P.W.Board			<a href="#">C101</a>	08S35349Y16	CAP,CER 105K-B1A -CP
MAIN-P.W.Board			<a href="#">C103</a>	08S45231Y38	CAP,CER 102J-CH1H-CP
MAIN-P.W.Board			<a href="#">C104</a>	08S35374W12	CAP,CER 106K-B0J -CP
MAIN-P.W.Board			<a href="#">C105</a>	08S35374W12	CAP,CER 106K-B0J -CP
MAIN-P.W.Board			<a href="#">C106</a>	08S35374W12	CAP,CER 106K-B0J -CP
MAIN-P.W.Board			<a href="#">C107</a>	08S35374W12	CAP,CER 106K-B0J -CP
MAIN-P.W.Board			<a href="#">C108</a>	08S45231Y38	CAP,CER 102J-CH1H-CP
MAIN-P.W.Board			<a href="#">C109</a>	08S45676W65	CAP,CER.222K-B1H -CP
MAIN-P.W.Board			<a href="#">C110</a>	08S35374W12	CAP,CER 106K-B0J -CP
MAIN-P.W.Board			<a href="#">C111</a>	08S35374W12	CAP,CER 106K-B0J -CP
MAIN-P.W.Board			<a href="#">C112</a>	08S35374W12	CAP,CER 106K-B0J -CP
MAIN-P.W.Board			<a href="#">C114</a>	08S45232Y17	CAP,CER 104K-B0J -CP
MAIN-P.W.Board			<a href="#">C115</a>	08S35374W12	CAP,CER 106K-B0J -CP
MAIN-P.W.Board			<a href="#">C116</a>	08S45231Y06	CAP,CER 3R0C-CJ1H-CP
MAIN-P.W.Board			<a href="#">C117</a>	08S45677W60	CAP,CER 102J-CH1H-CP
MAIN-P.W.Board			<a href="#">C118</a>	08S45232Y17	CAP,CER 104K-B0J -CP
MAIN-P.W.Board			<a href="#">C119</a>	08S65670Y01	CAP,CER 106KX5R1C-CP
MAIN-P.W.Board			<a href="#">C120</a>	08S45232Y17	CAP,CER 104K-B0J -CP
MAIN-P.W.Board			<a href="#">C121</a>	08S45232Y05	CAP,CER 102K-B1H -CP
MAIN-P.W.Board			<a href="#">C122</a>	08S35349Y17	CAP,CER 225K-B0J -CP
MAIN-P.W.Board			<a href="#">C123</a>	08S35374W11	CAP,CER 475K-B0J -CP
MAIN-P.W.Board			<a href="#">C125</a>	08S45232Y17	CAP,CER 104K-B0J -CP
MAIN-P.W.Board			<a href="#">C126</a>	08S45232Y17	CAP,CER 104K-B0J -CP
MAIN-P.W.Board			<a href="#">C127</a>	08S45232Y08	CAP,CER 332K-B1H -CP
MAIN-P.W.Board			<a href="#">C128</a>	08S45232Y05	CAP,CER 102K-B1H -CP
MAIN-P.W.Board			<a href="#">C129</a>	08S45232Y05	CAP,CER 102K-B1H -CP
MAIN-P.W.Board			<a href="#">C131</a>	08S45677W34	CAP,CER.82RJ-CH1H-CP
MAIN-P.W.Board			<a href="#">C132</a>	08S45231Y17	CAP,CER 22RJ-CH1H-CP
MAIN-P.W.Board			<a href="#">C141</a>	08S45231Y25	CAP,CER 101J-CH1H-CP
MAIN-P.W.Board			<a href="#">C142</a>	08S45231Y13	CAP,CER 10RD-CH1H-CP
MAIN-P.W.Board			<a href="#">C143</a>	08S45232Y03	CAP,CER 471K-B1H -CP
MAIN-P.W.Board			<a href="#">C145</a>	08S45677W60	CAP,CER 102J-CH1H-CP
MAIN-P.W.Board			<a href="#">C153</a>	08S45231Y38	CAP,CER 102J-CH1H-CP
MAIN-P.W.Board			<a href="#">C154</a>	08S45231Y16	CAP,CER 18RJ-CH1H-CP
MAIN-P.W.Board			<a href="#">C155</a>	08S45232Y07	CAP,CER 222K-B1H -CP
MAIN-P.W.Board			<a href="#">C160</a>	08S45676W73	CAP,CER.103K-B1H -CP
MAIN-P.W.Board			<a href="#">C161</a>	08S45676W73	CAP,CER.103K-B1H -CP
MAIN-P.W.Board			<a href="#">C162</a>	08S65668Y05	CAP,CER 224KX5R1A-CP
MAIN-P.W.Board			<a href="#">C163</a>	08S45231Y15	CAP,CER 15RJ-CH1H-CP
MAIN-P.W.Board			<a href="#">C164</a>	08S45231Y14	CAP,CER 12RJ-CH1H-CP

Mark Model Code  
#1 CDE-153BT Only,  
\$1 CDE-153EBT Only,  
%1 CDE-153CBT Only,

Others:Common.

IC501(\*) :51-27561Z01(W25Q32FVSSIG -ST)

Software is not written in to the part indicated with (\*).

NOTE:The part that has not PART NUMBER will not be supplied.

P.W.Board	MIS	MODEL	Ref.	Parts No.	Parts Name
-----------	-----	-------	------	-----------	------------

MAIN-P.W.Board			<a href="#">C165</a>	08S45231Y38	CAP,CER 102J-CH1H-CP
MAIN-P.W.Board			<a href="#">C166</a>	08S65670Y01	CAP,CER 106KX5R1C-CP
MAIN-P.W.Board			<a href="#">C167</a>	08S45232Y17	CAP,CER 104K-B0J -CP
MAIN-P.W.Board			<a href="#">C168</a>	08S45232Y17	CAP,CER 104K-B0J -CP
MAIN-P.W.Board			<a href="#">C169</a>	08S45231Y38	CAP,CER 102J-CH1H-CP
MAIN-P.W.Board			<a href="#">C170</a>	08S65670Y01	CAP,CER 106KX5R1C-CP
MAIN-P.W.Board		#1	<a href="#">C171</a>	08S35374W12	CAP,CER 106K-B0J -CP
MAIN-P.W.Board		#1	<a href="#">C172</a>	08S35374W12	CAP,CER 106K-B0J -CP
MAIN-P.W.Board		#1	<a href="#">C173</a>	08S35374W12	CAP,CER 106K-B0J -CP
MAIN-P.W.Board		#1	<a href="#">C174</a>	08S35374W12	CAP,CER 106K-B0J -CP
MAIN-P.W.Board		#1	<a href="#">C175</a>	08S45231Y38	CAP,CER 102J-CH1H-CP
MAIN-P.W.Board		#1	<a href="#">C176</a>	08S45231Y38	CAP,CER 102J-CH1H-CP
MAIN-P.W.Board			<a href="#">C300</a>	08S45676W73	CAP,CER.103K-B1H -CP
MAIN-P.W.Board			<a href="#">C302</a>	08S35350Y04	CAP,CER 105K-B1C -CP
MAIN-P.W.Board			<a href="#">C303</a>	08S65669Y03	CAP,CER 224KX7R1H-CP
MAIN-P.W.Board		#1	<a href="#">C304</a>	08S45676W80	CAP,CER 223K-B1E -CP
MAIN-P.W.Board			<a href="#">C305</a>	08S65669Y03	CAP,CER 224KX7R1H-CP
MAIN-P.W.Board			<a href="#">C307</a>	08S65669Y03	CAP,CER 224KX7R1H-CP
MAIN-P.W.Board			<a href="#">C312</a>	08S65676Y07	CAP,CER 225K-X7R1ECP
MAIN-P.W.Board			<a href="#">C313</a>	08S65676Y07	CAP,CER 225K-X7R1ECP
MAIN-P.W.Board			<a href="#">C314</a>	08S65669Y03	CAP,CER 224KX7R1H-CP
MAIN-P.W.Board			<a href="#">C316</a>	08S65669Y03	CAP,CER 224KX7R1H-CP
MAIN-P.W.Board			<a href="#">C320</a>	08S35350Y04	CAP,CER 105K-B1C -CP
MAIN-P.W.Board			<a href="#">C321</a>	08S65669Y03	CAP,CER 224KX7R1H-CP
MAIN-P.W.Board			<a href="#">C322</a>	08S65669Y03	CAP,CER 224KX7R1H-CP
MAIN-P.W.Board			<a href="#">C323</a>	08S65669Y03	CAP,CER 224KX7R1H-CP
MAIN-P.W.Board			<a href="#">C324</a>	08S65669Y03	CAP,CER 224KX7R1H-CP
MAIN-P.W.Board			<a href="#">C325</a>	08S35350Y04	CAP,CER 105K-B1C -CP
MAIN-P.W.Board			<a href="#">C326</a>	08S65669Y03	CAP,CER 224KX7R1H-CP
MAIN-P.W.Board			<a href="#">C327</a>	08S45232Y14	CAP,CER 333K-B1C -CP
MAIN-P.W.Board			<a href="#">C501</a>	08S45676W85	CAP,CER 104K-B1C -CP
MAIN-P.W.Board			<a href="#">C502</a>	08S45676W85	CAP,CER 104K-B1C -CP
MAIN-P.W.Board			<a href="#">C503</a>	08S45676W85	CAP,CER 104K-B1C -CP
MAIN-P.W.Board			<a href="#">C504</a>	08S65669Y03	CAP,CER 224KX7R1H-CP
MAIN-P.W.Board			<a href="#">C505</a>	08S45232Y07	CAP,CER 222K-B1H -CP
MAIN-P.W.Board			<a href="#">C506</a>	08S65668Y05	CAP,CER 224KX5R1A-CP
MAIN-P.W.Board			<a href="#">C507</a>	08S45677W60	CAP,CER 102J-CH1H-CP
MAIN-P.W.Board			<a href="#">C508</a>	08S45232Y07	CAP,CER 222K-B1H -CP
MAIN-P.W.Board			<a href="#">C509</a>	08S45232Y07	CAP,CER 222K-B1H -CP
MAIN-P.W.Board			<a href="#">C514</a>	08S45232Y11	CAP,CER 103K-B1C -CP
MAIN-P.W.Board			<a href="#">C515</a>	08S45232Y07	CAP,CER 222K-B1H -CP

Mark Model Code  
#1 CDE-153BT Only,  
\$1 CDE-153EBT Only,  
%1 CDE-153CBT Only,

Others:Common.

IC501(\*) :51-27561Z01(W25Q32FVSSIG -ST)

Software is not written in to the part indicated with (\*).

NOTE:The part that has not PART NUMBER will not be supplied.

P.W.Board	MIS	MODEL	Ref.	Parts No.	Parts Name
-----------	-----	-------	------	-----------	------------

MAIN-P.W.Board			<a href="#">C516</a>	08S45232Y05	CAP,CER 102K-B1H -CP
MAIN-P.W.Board			<a href="#">C517</a>	08S45232Y17	CAP,CER 104K-B0J -CP
MAIN-P.W.Board			<a href="#">C518</a>	08S45676W85	CAP,CER 104K-B1C -CP
MAIN-P.W.Board			<a href="#">C519</a>	08S45232Y05	CAP,CER 102K-B1H -CP
MAIN-P.W.Board			<a href="#">C523</a>	08S45232Y17	CAP,CER 104K-B0J -CP
MAIN-P.W.Board			<a href="#">C524</a>	08S45676W85	CAP,CER 104K-B1C -CP
MAIN-P.W.Board			<a href="#">C525</a>	08S45676W85	CAP,CER 104K-B1C -CP
MAIN-P.W.Board			<a href="#">C526</a>	08S45676W85	CAP,CER 104K-B1C -CP
MAIN-P.W.Board			<a href="#">C527</a>	08S45232Y17	CAP,CER 104K-B0J -CP
MAIN-P.W.Board			<a href="#">C528</a>	08S45676W85	CAP,CER 104K-B1C -CP
MAIN-P.W.Board			<a href="#">C529</a>	08S45676W85	CAP,CER 104K-B1C -CP
MAIN-P.W.Board			<a href="#">C530</a>	08S45232Y17	CAP,CER 104K-B0J -CP
MAIN-P.W.Board			<a href="#">C531</a>	08S45676W85	CAP,CER 104K-B1C -CP
MAIN-P.W.Board			<a href="#">C533</a>	08S45676W85	CAP,CER 104K-B1C -CP
MAIN-P.W.Board			<a href="#">C534</a>	08S45676W85	CAP,CER 104K-B1C -CP
MAIN-P.W.Board			<a href="#">C535</a>	08S45232Y21	CAP,CER 104K-B1A-CP
MAIN-P.W.Board			<a href="#">C536</a>	08S45232Y21	CAP,CER 104K-B1A-CP
MAIN-P.W.Board			<a href="#">C537</a>	08S45676W85	CAP,CER 104K-B1C -CP
MAIN-P.W.Board			<a href="#">C538</a>	08S45676W85	CAP,CER 104K-B1C -CP
MAIN-P.W.Board			<a href="#">C539</a>	08S45676W85	CAP,CER 104K-B1C -CP
MAIN-P.W.Board			<a href="#">C540</a>	08S45232Y17	CAP,CER 104K-B0J -CP
MAIN-P.W.Board			<a href="#">C541</a>	08S45676W85	CAP,CER 104K-B1C -CP
MAIN-P.W.Board			<a href="#">C542</a>	08S45676W85	CAP,CER 104K-B1C -CP
MAIN-P.W.Board			<a href="#">C543</a>	08S45676W85	CAP,CER 104K-B1C -CP
MAIN-P.W.Board			<a href="#">C544</a>	08S45676W85	CAP,CER 104K-B1C -CP
MAIN-P.W.Board			<a href="#">C545</a>	08S45676W85	CAP,CER 104K-B1C -CP
MAIN-P.W.Board			<a href="#">C546</a>	08S45676W85	CAP,CER 104K-B1C -CP
MAIN-P.W.Board			<a href="#">C547</a>	08S45231Y15	CAP,CER 15RJ-CH1H-CP
MAIN-P.W.Board			<a href="#">C548</a>	08S45231Y15	CAP,CER 15RJ-CH1H-CP
MAIN-P.W.Board			<a href="#">C549</a>	08S65668Y05	CAP,CER 224KX5R1A-CP
MAIN-P.W.Board			<a href="#">C550</a>	08S35349Y16	CAP,CER 105K-B1A -CP
MAIN-P.W.Board			<a href="#">C551</a>	08S35349Y16	CAP,CER 105K-B1A -CP
MAIN-P.W.Board			<a href="#">C552</a>	08S65669Y03	CAP,CER 224KX7R1H-CP
MAIN-P.W.Board			<a href="#">C554</a>	08S45676W85	CAP,CER 104K-B1C -CP
MAIN-P.W.Board			<a href="#">C555</a>	08S45676W69	CAP,CER.472K-B1H -CP
MAIN-P.W.Board			<a href="#">C556</a>	08S45232Y03	CAP,CER 471K-B1H -CP
MAIN-P.W.Board			<a href="#">C561</a>	08S45676W73	CAP,CER.103K-B1H -CP
MAIN-P.W.Board			<a href="#">C562</a>	08S45676W80	CAP,CER 223K-B1E -CP
MAIN-P.W.Board			<a href="#">C601</a>	08S45232Y05	CAP,CER 102K-B1H -CP
MAIN-P.W.Board			<a href="#">C602</a>	08S45231Y13	CAP,CER 10RD-CH1H-CP
MAIN-P.W.Board			<a href="#">C603</a>	08S35374W12	CAP,CER 106K-B0J -CP

Mark Model Code  
#1 CDE-153BT Only,  
\$1 CDE-153EBT Only,  
%1 CDE-153CBT Only,

Others:Common.

IC501(\*) :51-27561Z01(W25Q32FVSSIG -ST)

Software is not written in to the part indicated with (\*).

NOTE:The part that has not PART NUMBER will not be supplied.

P.W.Board	MIS	MODEL	Ref.	Parts No.	Parts Name
-----------	-----	-------	------	-----------	------------

MAIN-P.W.Board			<a href="#">C604</a>	08S45232Y05	CAP,CER 102K-B1H -CP
MAIN-P.W.Board			<a href="#">C605</a>	08S45232Y05	CAP,CER 102K-B1H -CP
MAIN-P.W.Board			<a href="#">C606</a>	08S35374W12	CAP,CER 106K-B0J -CP
MAIN-P.W.Board			<a href="#">C607</a>	08S35374W12	CAP,CER 106K-B0J -CP
MAIN-P.W.Board			<a href="#">C608</a>	08S35374W12	CAP,CER 106K-B0J -CP
MAIN-P.W.Board			<a href="#">C609</a>	08S45232Y17	CAP,CER 104K-B0J -CP
MAIN-P.W.Board			<a href="#">C610</a>	08S35374W12	CAP,CER 106K-B0J -CP
MAIN-P.W.Board			<a href="#">C611</a>	08S45232Y17	CAP,CER 104K-B0J -CP
MAIN-P.W.Board			<a href="#">C612</a>	08S45232Y05	CAP,CER 102K-B1H -CP
MAIN-P.W.Board			<a href="#">C613</a>	08S45231Y13	CAP,CER 10RD-CH1H-CP
MAIN-P.W.Board			<a href="#">C614</a>	08S45232Y05	CAP,CER 102K-B1H -CP
MAIN-P.W.Board			<a href="#">C615</a>	08S45231Y13	CAP,CER 10RD-CH1H-CP
MAIN-P.W.Board			<a href="#">C616</a>	08S35349Y12	CAP,CER 105K-B0J -CP
MAIN-P.W.Board			<a href="#">C617</a>	08S45232Y05	CAP,CER 102K-B1H -CP
MAIN-P.W.Board			<a href="#">C618</a>	08S35349Y12	CAP,CER 105K-B0J -CP
MAIN-P.W.Board			<a href="#">C619</a>	08S35349Y12	CAP,CER 105K-B0J -CP
MAIN-P.W.Board			<a href="#">C620</a>	08S45232Y17	CAP,CER 104K-B0J -CP
MAIN-P.W.Board			<a href="#">C621</a>	08S45232Y17	CAP,CER 104K-B0J -CP
MAIN-P.W.Board			<a href="#">C623</a>	08S45231Y04	CAP,CER 1R5C-CK1H-CP
MAIN-P.W.Board			<a href="#">C624</a>	08S45231Y12	CAP,CER 9R0D-CH1H-CP
MAIN-P.W.Board			<a href="#">C625</a>	08S45231Y13	CAP,CER 10RD-CH1H-CP
MAIN-P.W.Board			<a href="#">C704</a>	08S45232Y14	CAP,CER 333K-B1C -CP
MAIN-P.W.Board			<a href="#">C705</a>	08S45232Y17	CAP,CER 104K-B0J -CP
MAIN-P.W.Board			<a href="#">C706</a>	08S35374W12	CAP,CER 106K-B0J -CP
MAIN-P.W.Board			<a href="#">C707</a>	08S35349Y17	CAP,CER 225K-B0J -CP
MAIN-P.W.Board			<a href="#">C708</a>	08S45231Y15	CAP,CER 15RJ-CH1H-CP
MAIN-P.W.Board			<a href="#">C709</a>	08S45232Y17	CAP,CER 104K-B0J -CP
MAIN-P.W.Board			<a href="#">C710</a>	08S45232Y08	CAP,CER 332K-B1H -CP
MAIN-P.W.Board			<a href="#">C711</a>	08S45676W69	CAP,CER.472K-B1H -CP
MAIN-P.W.Board			<a href="#">C712</a>	08S45232Y12	CAP,CER 153K-B1C -CP
MAIN-P.W.Board			<a href="#">C713</a>	08S45232Y17	CAP,CER 104K-B0J -CP
MAIN-P.W.Board			<a href="#">C714</a>	08S45232Y17	CAP,CER 104K-B0J -CP
MAIN-P.W.Board			<a href="#">C715</a>	08S45232Y17	CAP,CER 104K-B0J -CP
MAIN-P.W.Board			<a href="#">C716</a>	08S45232Y17	CAP,CER 104K-B0J -CP
MAIN-P.W.Board			<a href="#">C717</a>	08S45232Y14	CAP,CER 333K-B1C -CP
MAIN-P.W.Board			<a href="#">C718</a>	08S45232Y14	CAP,CER 333K-B1C -CP
MAIN-P.W.Board			<a href="#">C719</a>	08S45232Y08	CAP,CER 332K-B1H -CP
MAIN-P.W.Board			<a href="#">C720</a>	08S45676W73	CAP,CER.103K-B1H -CP
MAIN-P.W.Board			<a href="#">C721</a>	08S45232Y14	CAP,CER 333K-B1C -CP
MAIN-P.W.Board			<a href="#">C722</a>	08S45232Y11	CAP,CER 103K-B1C -CP
MAIN-P.W.Board			<a href="#">C723</a>	08S45232Y17	CAP,CER 104K-B0J -CP

Mark Model Code  
#1 CDE-153BT Only,  
\$1 CDE-153EBT Only,  
%1 CDE-153CBT Only,

Others:Common.

IC501(\*) :51-27561Z01(W25Q32FVSSIG -ST)

Software is not written in to the part indicated with (\*).

NOTE:The part that has not PART NUMBER will not be supplied.

P.W.Board	MIS	MODEL	Ref.	Parts No.	Parts Name
-----------	-----	-------	------	-----------	------------

MAIN-P.W.Board			<a href="#">C724</a>	08S45231Y21	CAP,CER 47RJ-CH1H-CP
MAIN-P.W.Board			<a href="#">C725</a>	08S45232Y12	CAP,CER 153K-B1C -CP
MAIN-P.W.Board			<a href="#">C726</a>	08S45232Y07	CAP,CER 222K-B1H -CP
MAIN-P.W.Board			<a href="#">C727</a>	08S45232Y17	CAP,CER 104K-B0J -CP
MAIN-P.W.Board			<a href="#">C728</a>	08S45232Y14	CAP,CER 333K-B1C -CP
MAIN-P.W.Board			<a href="#">C729</a>	08S45232Y05	CAP,CER 102K-B1H -CP
MAIN-P.W.Board			<a href="#">C730</a>	08S35374W12	CAP,CER 106K-B0J -CP
MAIN-P.W.Board			<a href="#">C731</a>	08S45232Y08	CAP,CER 332K-B1H -CP
MAIN-P.W.Board			<a href="#">C732</a>	08S35374W12	CAP,CER 106K-B0J -CP
MAIN-P.W.Board			<a href="#">C733</a>	08S45231Y15	CAP,CER 15RJ-CH1H-CP
MAIN-P.W.Board			<a href="#">C734</a>	08S45232Y17	CAP,CER 104K-B0J -CP
MAIN-P.W.Board			<a href="#">C735</a>	08S45232Y17	CAP,CER 104K-B0J -CP
MAIN-P.W.Board			<a href="#">C736</a>	08S45676W73	CAP,CER.103K-B1H -CP
MAIN-P.W.Board			<a href="#">C737</a>	08S35374W12	CAP,CER 106K-B0J -CP
MAIN-P.W.Board			<a href="#">C738</a>	08S45231Y38	CAP,CER 102J-CH1H-CP
MAIN-P.W.Board			<a href="#">C739</a>	08S65669Y03	CAP,CER 224KX7R1H-CP
MAIN-P.W.Board			<a href="#">C740</a>	08S45231Y28	CAP,CER 181J-CH1H-CP
MAIN-P.W.Board			<a href="#">C741</a>	08S45676W80	CAP,CER 223K-B1E -CP
MAIN-P.W.Board			<a href="#">C742</a>	08S65668Y05	CAP,CER 224KX5R1A-CP
MAIN-P.W.Board			<a href="#">C744</a>	08S65669Y03	CAP,CER 224KX7R1H-CP
MAIN-P.W.Board			<a href="#">C745</a>	08S65669Y03	CAP,CER 224KX7R1H-CP
MAIN-P.W.Board			<a href="#">C746</a>	08S65668Y05	CAP,CER 224KX5R1A-CP
MAIN-P.W.Board			<a href="#">C747</a>	08S65668Y05	CAP,CER 224KX5R1A-CP
MAIN-P.W.Board			<a href="#">C748</a>	08S45232Y05	CAP,CER 102K-B1H -CP
MAIN-P.W.Board			<a href="#">C749</a>	08S45232Y08	CAP,CER 332K-B1H -CP
MAIN-P.W.Board			<a href="#">C750</a>	08S65668Y05	CAP,CER 224KX5R1A-CP
MAIN-P.W.Board			<a href="#">C752</a>	08S45676W85	CAP,CER 104K-B1C -CP
MAIN-P.W.Board			<a href="#">C753</a>	08S65669Y03	CAP,CER 224KX7R1H-CP
MAIN-P.W.Board			<a href="#">C754</a>	08S45231Y15	CAP,CER 15RJ-CH1H-CP
MAIN-P.W.Board			<a href="#">C755</a>	08S45231Y15	CAP,CER 15RJ-CH1H-CP
MAIN-P.W.Board			<a href="#">C756</a>	08S45231Y15	CAP,CER 15RJ-CH1H-CP
MAIN-P.W.Board			<a href="#">C801</a>	08S45232Y21	CAP,CER 104K-B1A-CP
MAIN-P.W.Board			<a href="#">C802</a>	08S45232Y12	CAP,CER 153K-B1C -CP
MAIN-P.W.Board			<a href="#">C803</a>	08S45676W74	CAP,CER 123K-B1H -CP
MAIN-P.W.Board			<a href="#">C804</a>	08S45232Y01	CAP,CER 221K-B1H -CP
MAIN-P.W.Board			<a href="#">C805</a>	08S45232Y07	CAP,CER 222K-B1H -CP
MAIN-P.W.Board			<a href="#">C809</a>	08S65669Y03	CAP,CER 224KX7R1H-CP
MAIN-P.W.Board			<a href="#">C810</a>	08S45232Y21	CAP,CER 104K-B1A-CP
MAIN-P.W.Board			<a href="#">C811</a>	08S35349Y16	CAP,CER 105K-B1A -CP
MAIN-P.W.Board			<a href="#">C812</a>	08S35374W12	CAP,CER 106K-B0J -CP
MAIN-P.W.Board			<a href="#">C813</a>	08S65670Y07	CAP,CER 105KX5R1H-CP


Mark Model Code  
#1 CDE-153BT Only,  
\$1 CDE-153EBT Only,  
%1 CDE-153CBT Only,

Others:Common.

IC501(\*) :51-27561Z01(W25Q32FVSSIG -ST)

Software is not written in to the part indicated with (\*).

NOTE:The part that has not PART NUMBER will not be supplied.

P.W.Board	MIS	MODEL	Ref.	Parts No.	Parts Name
MAIN-P.W.Board			<a href="#">C814</a>	08S65669Y03	CAP,CER 224KX7R1H-CP
MAIN-P.W.Board			<a href="#">C815</a>	08S65128F88	CAP,CER 104K-B1H -CP
MAIN-P.W.Board			<a href="#">C816</a>	08S35349Y16	CAP,CER 105K-B1A -CP
MAIN-P.W.Board			<a href="#">C817</a>	08S65669Y03	CAP,CER 224KX7R1H-CP
MAIN-P.W.Board			<a href="#">C818</a>	08S65669Y03	CAP,CER 224KX7R1H-CP
MAIN-P.W.Board			<a href="#">C819</a>	08S65669Y03	CAP,CER 224KX7R1H-CP
MAIN-P.W.Board			<a href="#">C820</a>	08S65669Y03	CAP,CER 224KX7R1H-CP
MAIN-P.W.Board			<a href="#">C821</a>	08S65669Y03	CAP,CER 224KX7R1H-CP
MAIN-P.W.Board			<a href="#">C822</a>	08S65669Y03	CAP,CER 224KX7R1H-CP
MAIN-P.W.Board			<a href="#">C823</a>	08S45232Y05	CAP,CER 102K-B1H -CP
MAIN-P.W.Board			<a href="#">C824</a>	08S45676W73	CAP,CER.103K-B1H -CP
MAIN-P.W.Board			<a href="#">C825</a>	08S45676W89	CAP,CER 473K-B1E -CP
MAIN-P.W.Board			<a href="#">C826</a>	08S65669Y03	CAP,CER 224KX7R1H-CP
MAIN-P.W.Board			<a href="#">C827</a>	08S65669Y03	CAP,CER 224KX7R1H-CP
MAIN-P.W.Board			<a href="#">C829</a>	08S45676W85	CAP,CER 104K-B1C -CP
MAIN-P.W.Board			<a href="#">C830</a>	08S65669Y03	CAP,CER 224KX7R1H-CP
MAIN-P.W.Board			<a href="#">C831</a>	08S45232Y17	CAP,CER 104K-B0J -CP
MAIN-P.W.Board			<a href="#">C832</a>	08S45232Y17	CAP,CER 104K-B0J -CP
MAIN-P.W.Board			<a href="#">C833</a>	08S45232Y08	CAP,CER 332K-B1H -CP
MAIN-P.W.Board			<a href="#">C834</a>	08S45232Y08	CAP,CER 332K-B1H -CP
MAIN-P.W.Board			<a href="#">C835</a>	08S65669Y03	CAP,CER 224KX7R1H-CP
MAIN-P.W.Board			<a href="#">C836</a>	08S65669Y03	CAP,CER 224KX7R1H-CP
MAIN-P.W.Board			<a href="#">C838</a>	08S65670Y07	CAP,CER 105KX5R1H-CP
MAIN-P.W.Board			<a href="#">C839</a>	08S45231Y25	CAP,CER 101J-CH1H-CP
MAIN-P.W.Board			<a href="#">C840</a>	08S45677W36	CAP,CER.101J-CH1H-CP
MAIN-P.W.Board			<a href="#">C841</a>	08S45676W85	CAP,CER 104K-B1C -CP
MAIN-P.W.Board			<a href="#">C842</a>	08S35349Y12	CAP,CER 105K-B0J -CP
MAIN-P.W.Board			<a href="#">C843</a>	08S65669Y03	CAP,CER 224KX7R1H-CP
MAIN-P.W.Board			<a href="#">C844</a>	08S35374W12	CAP,CER 106K-B0J -CP
MAIN-P.W.Board			<a href="#">C846</a>	08S65128F88	CAP,CER 104K-B1H -CP
MAIN-P.W.Board			<a href="#">C901</a>	08S65668Y05	CAP,CER 224KX5R1A-CP
MAIN-P.W.Board			<a href="#">C902</a>	08S65669Y03	CAP,CER 224KX7R1H-CP
MAIN-P.W.Board			<a href="#">C903</a>	08S65669Y03	CAP,CER 224KX7R1H-CP
MAIN-P.W.Board			<a href="#">C905</a>	08S45676W85	CAP,CER 104K-B1C -CP
MAIN-P.W.Board			<a href="#">C906</a>	08S45232Y11	CAP,CER 103K-B1C -CP
MAIN-P.W.Board			<a href="#">C907</a>	08S45232Y13	CAP,CER 223K-B1C -CP
MAIN-P.W.Board			<a href="#">C908</a>	08S45676W65	CAP,CER.222K-B1H -CP
MAIN-P.W.Board		#1	<a href="#">C911</a>	08S65668Y05	CAP,CER 224KX5R1A-CP
MAIN-P.W.Board		#1	<a href="#">C913</a>	08S45676W65	CAP,CER.222K-B1H -CP
MAIN-P.W.Board		#1	<a href="#">C917</a>	08S45539Y04	CAP,CER 103KX7R2J-CP
MAIN-P.W.Board			<a href="#">CB301</a>	09-28001Z01	ASSY,A090A0101 -DB

Mark Model Code  
#1 CDE-153BT Only,  
\$1 CDE-153EBT Only,  
%1 CDE-153CBT Only,

Others:Common.

IC501(\*) :51-27561Z01(W25Q32FVSSIG -ST)

Software is not written in to the part indicated with (\*).

NOTE:The part that has not PART NUMBER will not be supplied.

P.W.Board	MIS	MODEL	Ref.	Parts No.	Parts Name
-----------	-----	-------	------	-----------	------------

MAIN-P.W.Board			<a href="#">CB701</a>	09T75287Y24	FFC,IMSA9631S-24Y-ED
MAIN-P.W.Board			<a href="#">CH501</a>	09-18738Z01	BTB,DF20-S -DB
MAIN-P.W.Board			<a href="#">D101</a>	48-12230Z01	DIO,KDS226-RTK -CP
MAIN-P.W.Board			<a href="#">D300</a>	48-07016Z01	DIO,KDS181-RTK -CP
MAIN-P.W.Board			<a href="#">D301</a>	48-07016Z01	DIO,KDS181-RTK -CP
MAIN-P.W.Board			<a href="#">D302</a>	48T75446Y01	DIO,RR264M-400 -CP
MAIN-P.W.Board			<a href="#">D303</a>	48T75527Y01	DIO,1SR154-400 -E1
MAIN-P.W.Board			<a href="#">D304</a>	48-07016Z01	DIO,KDS181-RTK -CP
MAIN-P.W.Board		#1	<a href="#">D305</a>	48-07016Z02	DIO,KDS184-RTK -CP
MAIN-P.W.Board			<a href="#">D307</a>	48-05965Z01	DIO,1SS361-L -CP
MAIN-P.W.Board			<a href="#">D309</a>	48-05828Z01	DIO,1N5406G-04 -
MAIN-P.W.Board			<a href="#">D800</a>	48-07015Z01	DIO,KDS160-RTK -CP
MAIN-P.W.Board			<a href="#">D802</a>	48T75527Y01	DIO,1SR154-400 -E1
MAIN-P.W.Board			<a href="#">D803</a>	48T75527Y01	DIO,1SR154-400 -E1
MAIN-P.W.Board			<a href="#">D804</a>	48-07015Z01	DIO,KDS160-RTK -CP
MAIN-P.W.Board			<a href="#">D806</a>	48-07015Z01	DIO,KDS160-RTK -CP
MAIN-P.W.Board			<a href="#">D807</a>	48-05965Z01	DIO,1SS361-L -CP
MAIN-P.W.Board			<a href="#">D901</a>	48-07016Z02	DIO,KDS184-RTK -CP
MAIN-P.W.Board		#1	<a href="#">DIN901</a>	09-18874Z01	DIN,TCS7718-012117DB
MAIN-P.W.Board			<a href="#">E300</a>	23S65134W52	CAP,ELY 3R3-1V(3)-E2
MAIN-P.W.Board			<a href="#">E301</a>	23T75346W03	CAP,X-PRO 332-1C +
MAIN-P.W.Board			<a href="#">E302</a>	23T75234Y06	CAP,MAR 22R-1C-E55E3
MAIN-P.W.Board			<a href="#">E303</a>	23S65134W52	CAP,ELY 3R3-1V(3)-E2
MAIN-P.W.Board			<a href="#">E304</a>	23T75234Y19	CAP,MAR 101-1C-H63E6
MAIN-P.W.Board			<a href="#">E305</a>	23S65134W52	CAP,ELY 3R3-1V(3)-E2
MAIN-P.W.Board			<a href="#">E306</a>	23S65134W52	CAP,ELY 3R3-1V(3)-E2
MAIN-P.W.Board			<a href="#">E307</a>	23S65134W52	CAP,ELY 3R3-1V(3)-E2
MAIN-P.W.Board			<a href="#">E308</a>	23S65134W52	CAP,ELY 3R3-1V(3)-E2
MAIN-P.W.Board			<a href="#">E309</a>	23T75234Y20	CAP,MAR 22R-1E-F55E6
MAIN-P.W.Board			<a href="#">E311</a>	23S65134W34	CAP,ELY 47R-1C(6)-E6
MAIN-P.W.Board			<a href="#">E312</a>	23S65134W53	CAP,ELY 4R7-1V(4)-E2
MAIN-P.W.Board			<a href="#">E313</a>	23S65134W53	CAP,ELY 4R7-1V(4)-E2
MAIN-P.W.Board			<a href="#">E314</a>	23S65134W53	CAP,ELY 4R7-1V(4)-E2
MAIN-P.W.Board			<a href="#">E315</a>	23S65134W53	CAP,ELY 4R7-1V(4)-E2
MAIN-P.W.Board			<a href="#">E316</a>	23T75234Y06	CAP,MAR 22R-1C-E55E3
MAIN-P.W.Board			<a href="#">E317</a>	23S65134W53	CAP,ELY 4R7-1V(4)-E2
MAIN-P.W.Board			<a href="#">E500</a>	23S65134W51	CAP,ELY 2R2-1V(3)-E2
MAIN-P.W.Board			<a href="#">E501</a>	23S65134W36	CAP,ELY 221-1C(8)-EA
MAIN-P.W.Board			<a href="#">E502</a>	23S65134W81	CAP,ELY 22R-1C(4)-E2
MAIN-P.W.Board			<a href="#">E702</a>	23S65134W34	CAP,ELY 47R-1C(6)-E6
MAIN-P.W.Board			<a href="#">E703</a>	23S65134W35	CAP,ELY 101-1C(8)-E6

Mark Model Code  
#1 CDE-153BT Only,  
\$1 CDE-153EBT Only,  
%1 CDE-153CBT Only,

Others:Common.

IC501(\*) :51-27561Z01(W25Q32FVSSIG -ST)

Software is not written in to the part indicated with (\*).

NOTE:The part that has not PART NUMBER will not be supplied.

P.W.Board	MIS	MODEL	Ref.	Parts No.	Parts Name
-----------	-----	-------	------	-----------	------------

MAIN-P.W.Board			<a href="#">E704</a>	23T65679Y11	CAP,CD 47R-0J -E2
MAIN-P.W.Board			<a href="#">E705</a>	23S65134W35	CAP,ELY 101-1C(8)-E6
MAIN-P.W.Board			<a href="#">E801</a>	23S75244Y13	CAP,ELY 471-1A -EA
MAIN-P.W.Board			<a href="#">E802</a>	23S75244Y30	CAP,ELY 331-1E -EA
MAIN-P.W.Board			<a href="#">E803</a>	23S65134W13	CAP,ELY 101-0J(6)-E6
MAIN-P.W.Board			<a href="#">E807</a>	23S65134W80	CAP,ELY 10R-1C(3)-E2
MAIN-P.W.Board			<a href="#">E808</a>	23S65134W80	CAP,ELY 10R-1C(3)-E2
MAIN-P.W.Board			<a href="#">E809</a>	23S65134W54	CAP,ELY 10R-1V(5)-E3
MAIN-P.W.Board			<a href="#">E810</a>	23T75543Y01	CAP,MVA 331-0J -E6
MAIN-P.W.Board			<a href="#">E811</a>	23S65134W24	CAP,ELY 221-1A(8)-E6
MAIN-P.W.Board			<a href="#">E812</a>	23T75234Y19	CAP,MAR 101-1C-H63E6
MAIN-P.W.Board			<a href="#">E813</a>	23S75244Y28	CAP,ELY 101-1E -E6
MAIN-P.W.Board			<a href="#">E814</a>	23S65134W44	CAP,ELY 22R-1E(6)-E6
MAIN-P.W.Board			<a href="#">E816</a>	23S75244Y20	CAP,ELY 221-1C -E6
MAIN-P.W.Board			<a href="#">E818</a>	23S65134W47	CAP,ELY 101-1E(8)-E6
MAIN-P.W.Board			<a href="#">E819</a>	23S65134W80	CAP,ELY 10R-1C(3)-E2
MAIN-P.W.Board			<a href="#">E822</a>	23S65134W80	CAP,ELY 10R-1C(3)-E2
MAIN-P.W.Board			<a href="#">E823</a>	23S75244Y20	CAP,ELY 221-1C -E6
MAIN-P.W.Board			<a href="#">E824</a>	23S75244Y20	CAP,ELY 221-1C -E6
MAIN-P.W.Board			<a href="#">E825</a>	23S65134W15	CAP,ELY 331-0J(8)-E6
MAIN-P.W.Board			<a href="#">E901</a>	23S65134W81	CAP,ELY 22R-1C(4)-E2
MAIN-P.W.Board			<a href="#">E902</a>	23S65134W24	CAP,ELY 221-1A(8)-E6
MAIN-P.W.Board		#1	<a href="#">E903</a>	23S65134W80	CAP,ELY 10R-1C(3)-E2
MAIN-P.W.Board			<a href="#">IC101</a>	51-22873Z01	TEA6636HW/V103 -QT
MAIN-P.W.Board			<a href="#">IC302</a>	51-28017Z01	BD37034FV-ME2 -SE6
MAIN-P.W.Board			<a href="#">IC303</a>	51-27174Z01	TB2941HQ -ZS
MAIN-P.W.Board		#1	<a href="#">IC501</a>	83-26452Z37	14MY_BT60_Low_A_IC501_Soft
MAIN-P.W.Board		\$1	<a href="#">IC501</a>	83-26452Z16	14MY_BT60_Low_EC_IC501_Soft
MAIN-P.W.Board		%1	<a href="#">IC501</a>	83-26452Z16	14MY_BT60_Low_EC_IC501_Soft
MAIN-P.W.Board			<a href="#">IC501</a>	51-27561Z01	W25Q32FVSSIG -ST
MAIN-P.W.Board		#1	<a href="#">IC504</a>	51-24717Z01	M24512-RMN6TP -SE2
MAIN-P.W.Board		\$1	<a href="#">IC504</a>	51-22801Z01	M24C32-WMN6TP -SE2
MAIN-P.W.Board		%1	<a href="#">IC504</a>	51-22801Z01	M24C32-WMN6TP -SE2
MAIN-P.W.Board			<a href="#">IC505</a>	51-27561Z01	W25Q32FVSSIG -ST
MAIN-P.W.Board			<a href="#">IC506</a>	51-24658Z01	TMPM32BC2DFG -QT
MAIN-P.W.Board			<a href="#">IC507</a>	51-23872Z01	AK5701KN -LE2
MAIN-P.W.Board			<a href="#">IC601</a>	51-24902Z01	TC35661IDBG -BE6
MAIN-P.W.Board			<a href="#">IC701</a>	51-16202Z01	TC94A92FG-301 -QT
MAIN-P.W.Board			<a href="#">IC702</a>	51-14737Z01	BD8226EFV-E2 -SE6
MAIN-P.W.Board			<a href="#">IC801</a>	51-20097Z02	AN33012UB-VB -SE6
MAIN-P.W.Board			<a href="#">IC802</a>	51-23576Z01	S-1172B1C-E6T1U -SE2

Mark Model Code  
#1 CDE-153BT Only,  
\$1 CDE-153EBT Only,  
%1 CDE-153CBT Only,

Others:Common.

IC501(\*) :51-27561Z01(W25Q32FVSSIG -ST)

Software is not written in to the part indicated with (\*).

NOTE:The part that has not PART NUMBER will not be supplied.

P.W.Board	MIS	MODEL	Ref.	Parts No.	Parts Name
-----------	-----	-------	------	-----------	------------

MAIN-P.W.Board			<a href="#">IC803</a>	51-13711Z02	TB2920AHQ -ZS
MAIN-P.W.Board			<a href="#">IC804</a>	51-20765Z24	S-1009N30H-M5T2U -CP
MAIN-P.W.Board			<a href="#">IC805</a>	51-06963Z01	NJU7741F15-TE1 -CP
MAIN-P.W.Board			<a href="#">IC806</a>	51-25207Z01	S-1172B33-U5T1U -NE2
MAIN-P.W.Board			<a href="#">IC807</a>	51-05862Z01	NJM2845DL1-33-TE1NE5
MAIN-P.W.Board			<a href="#">IC808</a>	51-06963Z01	NJU7741F15-TE1 -CP
MAIN-P.W.Board			<a href="#">IC809</a>	51-20765Z36	S-1009N42H-M5T2U -CP
MAIN-P.W.Board			<a href="#">IC811</a>	51-13565Z03	NJM2856DL3-33TE1-NE5
MAIN-P.W.Board			<a href="#">IC901</a>	51-26850Z01	MFI337S3959 -CP
MAIN-P.W.Board			<a href="#">IC902</a>	51T93532F05	TC4S01F-TE85L -CP
MAIN-P.W.Board			<a href="#">IC903</a>	51-11433Z01	RT9702AGB -CP
MAIN-P.W.Board		#1	<a href="#">IC904</a>	51-04637Z01	TC74ACT04FT-EL -SE5
MAIN-P.W.Board			<a href="#">JK300</a>	09-25331Z01	RCA,RJ-1346B09-0H0DB
MAIN-P.W.Board			<a href="#">JK901</a>	09-14149Z01	JAC,CK3-3.5-14D -DB
MAIN-P.W.Board			<a href="#">L101</a>	24T95456W11	FBI,BLM18AG601SH1-CP
MAIN-P.W.Board			<a href="#">L102</a>	24T95458W07	FBI,BLM31PG601SH1-CP
MAIN-P.W.Board			<a href="#">L103</a>	24T95456W11	FBI,BLM18AG601SH1-CP
MAIN-P.W.Board			<a href="#">L104</a>	24T95456W11	FBI,BLM18AG601SH1-CP
MAIN-P.W.Board			<a href="#">L105</a>	24T95456W11	FBI,BLM18AG601SH1-CP
MAIN-P.W.Board			<a href="#">L106</a>	24T45482Y05	IND,LQH31HN R29J -CP
MAIN-P.W.Board			<a href="#">L107</a>	24T25164Y12	IND,FSLM2520 R82J-CP
MAIN-P.W.Board			<a href="#">L108</a>	24T25164Y19	IND,FSLM2520 3R3J-CP
MAIN-P.W.Board			<a href="#">L109</a>	24T55488Y37	IND,LLQ1608 R27J -CP
MAIN-P.W.Board			<a href="#">L110</a>	24T65645Y03	IND,LLM3225 561K -CP
MAIN-P.W.Board			<a href="#">L111</a>	24T65645Y03	IND,LLM3225 561K -CP
MAIN-P.W.Board			<a href="#">L112</a>	24T95459W07	FBI,BLM41PG102SH1-E1
MAIN-P.W.Board			<a href="#">L113</a>	24T95456W11	FBI,BLM18AG601SH1-CP
MAIN-P.W.Board			<a href="#">L114</a>	24T65645Y01	IND,LLM3225 4R7J -CP
MAIN-P.W.Board			<a href="#">L501</a>	24-06212Z13	FBI,BLM15BB100SH1-CP
MAIN-P.W.Board			<a href="#">L502</a>	24-06212Z13	FBI,BLM15BB100SH1-CP
MAIN-P.W.Board			<a href="#">L503</a>	24-06212Z07	FBI,BLM15BD601SH1-CP
MAIN-P.W.Board			<a href="#">L504</a>	24-06212Z11	FBI,BLM15BD471SH1-CP
MAIN-P.W.Board			<a href="#">L505</a>	24-06212Z11	FBI,BLM15BD471SH1-CP
MAIN-P.W.Board			<a href="#">L506</a>	24-06212Z11	FBI,BLM15BD471SH1-CP
MAIN-P.W.Board			<a href="#">L507</a>	24-06212Z11	FBI,BLM15BD471SH1-CP
MAIN-P.W.Board			<a href="#">L701</a>	24T95456W11	FBI,BLM18AG601SH1-CP
MAIN-P.W.Board			<a href="#">L702</a>	24T95456W07	FBI,BLM18BD102SH1-CP
MAIN-P.W.Board			<a href="#">L703</a>	24T95456W07	FBI,BLM18BD102SH1-CP
MAIN-P.W.Board			<a href="#">L704</a>	24T95456W07	FBI,BLM18BD102SH1-CP
MAIN-P.W.Board			<a href="#">L801</a>	24-25206Z01	IND,SFCB1280T33RM-EA
MAIN-P.W.Board		#1	<a href="#">PS901</a>	48-27319Z01	POLY,SW1812L150/24E2

Mark Model Code  
#1 CDE-153BT Only,  
\$1 CDE-153EBT Only,  
%1 CDE-153CBT Only,

Others:Common.

IC501(\*) :51-27561Z01(W25Q32FVSSIG -ST)

Software is not written in to the part indicated with (\*).

NOTE:The part that has not PART NUMBER will not be supplied.

P.W.Board	MIS	MODEL	Ref.	Parts No.	Parts Name
-----------	-----	-------	------	-----------	------------

MAIN-P.W.Board			<a href="#">Q101</a>	48-20742Z01	TR,BCX54 -E2
MAIN-P.W.Board			<a href="#">Q300</a>	48T75180Y04	TR,IMH23-T110 -CP
MAIN-P.W.Board			<a href="#">Q301</a>	48T75180Y04	TR,IMH23-T110 -CP
MAIN-P.W.Board			<a href="#">Q302</a>	48-13000Z05	TR,LTC124EUBFS8-TLCP
MAIN-P.W.Board			<a href="#">Q303</a>	48T75180Y04	TR,IMH23-T110 -CP
MAIN-P.W.Board		#1	<a href="#">Q304</a>	48-04940Z01	TR,KRA101S-RTK -CP
MAIN-P.W.Board			<a href="#">Q306</a>	48-20093Z01	TR,DMC561010R -CP
MAIN-P.W.Board			<a href="#">Q308</a>	48-04929Z02	TR,KRC102S-RTK -CP
MAIN-P.W.Board			<a href="#">Q309</a>	48-04929Z03	TR,KRC103S-RTK -CP
MAIN-P.W.Board			<a href="#">Q310</a>	48T25737Y01	TR,UMD2N-TR -CP
MAIN-P.W.Board			<a href="#">Q701</a>	48-17707Z01	TR,DSA700300L -E2
MAIN-P.W.Board			<a href="#">Q702</a>	48-19949Z01	TR,DRC5143X -CP
MAIN-P.W.Board			<a href="#">Q703</a>	48T55462Y01	TR,2SB1132-QR-100-E2
MAIN-P.W.Board			<a href="#">Q704</a>	48-04940Z17	TR,KRA118S-RTK -CP
MAIN-P.W.Board			<a href="#">Q705</a>	48-13000Z01	TR,LTC114EUBFS8-TLCP
MAIN-P.W.Board			<a href="#">Q801</a>	48T25737Y01	TR,UMD2N-TR -CP
MAIN-P.W.Board			<a href="#">Q802</a>	48-04929Z03	TR,KRC103S-RTK -CP
MAIN-P.W.Board			<a href="#">Q803</a>	48T25737Y01	TR,UMD2N-TR -CP
MAIN-P.W.Board			<a href="#">Q804</a>	48-09581Z04	TR,KTA1505S-GRRTK-CP
MAIN-P.W.Board			<a href="#">Q805</a>	48-20288Z01	FET,MTM981400BBF -E2
MAIN-P.W.Board			<a href="#">Q807</a>	48-19949Z01	TR,DRC5143X -CP
MAIN-P.W.Board			<a href="#">Q808</a>	48-09581Z04	TR,KTA1505S-GRRTK-CP
MAIN-P.W.Board			<a href="#">Q809</a>	48T25737Y01	TR,UMD2N-TR -CP
MAIN-P.W.Board			<a href="#">Q810</a>	48-17931Z01	TR,PBSS9110T -CP
MAIN-P.W.Board			<a href="#">Q811</a>	48-13000Z06	TR,LTC143XUBFS8-TLCP
MAIN-P.W.Board			<a href="#">Q812</a>	48-19949Z01	TR,DRC5143X -CP
MAIN-P.W.Board			<a href="#">Q901</a>	48-09583Z04	TR,KTA1504S-GRRTK-CP
MAIN-P.W.Board			<a href="#">Q902</a>	48-09583Z04	TR,KTA1504S-GRRTK-CP
MAIN-P.W.Board			<a href="#">Q903</a>	48-13000Z01	TR,LTC114EUBFS8-TLCP
MAIN-P.W.Board		#1	<a href="#">Q904</a>	48-19949Z01	TR,DRC5143X -CP
MAIN-P.W.Board		#1	<a href="#">Q905</a>	48T25737Y02	TR,UMD3N-TR -CP
MAIN-P.W.Board			<a href="#">Q906</a>	48-13000Z05	TR,LTC124EUBFS8-TLCP
MAIN-P.W.Board			<a href="#">R101</a>	06S15615Y25	RES,RK 101J 1/16 -CP
MAIN-P.W.Board			<a href="#">R102</a>	06S15616Y23	RES,RK JUMPER1/16-CP
MAIN-P.W.Board			<a href="#">R103</a>	06S15616Y23	RES,RK JUMPER1/16-CP
MAIN-P.W.Board			<a href="#">R104</a>	06S15616Y14	RES,RK 474J 1/16 -CP
MAIN-P.W.Board			<a href="#">R107</a>	06S15615Y25	RES,RK 101J 1/16 -CP
MAIN-P.W.Board			<a href="#">R109</a>	06S15615Y25	RES,RK 101J 1/16 -CP
MAIN-P.W.Board			<a href="#">R110</a>	06S15615Y25	RES,RK 101J 1/16 -CP
MAIN-P.W.Board			<a href="#">R111</a>	06S15616Y28	RES,RK 3R3J 1/16 -CP
MAIN-P.W.Board			<a href="#">R113</a>	06S15615Y25	RES,RK 101J 1/16 -CP

Mark Model Code  
#1 CDE-153BT Only,  
\$1 CDE-153EBT Only,  
%1 CDE-153CBT Only,

Others:Common.

IC501(\*) :51-27561Z01(W25Q32FVSSIG -ST)

Software is not written in to the part indicated with (\*).

NOTE:The part that has not PART NUMBER will not be supplied.

P.W.Board	MIS	MODEL	Ref.	Parts No.	Parts Name
-----------	-----	-------	------	-----------	------------

MAIN-P.W.Board			<a href="#">R121</a>	06S15616Y23	RES,RK JUMPER1/16-CP
MAIN-P.W.Board			<a href="#">R196</a>	06S65415Y11	RES,RK 68RF 1/16 -CP
MAIN-P.W.Board			<a href="#">R197</a>	06S45348Y38	RES,RK 474F 1/4 -CP
MAIN-P.W.Board			<a href="#">R206</a>	06S45348Y38	RES,RK 474F 1/4 -CP
MAIN-P.W.Board			<a href="#">R207</a>	06S15615Y25	RES,RK 101J 1/16 -CP
MAIN-P.W.Board			<a href="#">R219</a>	06S45674W57	RES,RK 102J 1/10 -CP
MAIN-P.W.Board			<a href="#">R220</a>	06S45674W57	RES,RK 102J 1/10 -CP
MAIN-P.W.Board			<a href="#">R221</a>	06S45674W57	RES,RK 102J 1/10 -CP
MAIN-P.W.Board			<a href="#">R222</a>	06S15615Y25	RES,RK 101J 1/16 -CP
MAIN-P.W.Board			<a href="#">R223</a>	06S45674W73	RES,RK 472J 1/10 -CP
MAIN-P.W.Board			<a href="#">R224</a>	06S45674W73	RES,RK 472J 1/10 -CP
MAIN-P.W.Board			<a href="#">R225</a>	06S45674W57	RES,RK 102J 1/10 -CP
MAIN-P.W.Board		#1	<a href="#">R227</a>	06S15615Y49	RES,RK 102J 1/16 -CP
MAIN-P.W.Board		#1	<a href="#">R228</a>	06S15615Y49	RES,RK 102J 1/16 -CP
MAIN-P.W.Board		#1	<a href="#">R229</a>	06S15615Y49	RES,RK 102J 1/16 -CP
MAIN-P.W.Board		#1	<a href="#">R230</a>	06S15615Y49	RES,RK 102J 1/16 -CP
MAIN-P.W.Board			<a href="#">R231</a>	06S15615Y48	RES,RK 911J 1/16 -CP
MAIN-P.W.Board			<a href="#">R232</a>	06S15615Y48	RES,RK 911J 1/16 -CP
MAIN-P.W.Board			<a href="#">R233</a>	06S15615Y48	RES,RK 911J 1/16 -CP
MAIN-P.W.Board			<a href="#">R300</a>	06S15593Y93	RES,RK 683F 1/10 -CP
MAIN-P.W.Board			<a href="#">R301</a>	06S70072F61	RES,CP .222-J-1/4-CP
MAIN-P.W.Board			<a href="#">R302</a>	06S15593Y93	RES,RK 683F 1/10 -CP
MAIN-P.W.Board			<a href="#">R303</a>	06S15593Y93	RES,RK 683F 1/10 -CP
MAIN-P.W.Board			<a href="#">R304</a>	06S45674W81	RES,RK 103J 1/10 -CP
MAIN-P.W.Board			<a href="#">R305</a>	06S70072F77	RES,CP .103-J-1/4-CP
MAIN-P.W.Board			<a href="#">R306</a>	06S15593Y93	RES,RK 683F 1/10 -CP
MAIN-P.W.Board			<a href="#">R307</a>	06S15615Y37	RES,RK 331J 1/16 -CP
MAIN-P.W.Board			<a href="#">R308</a>	06S15615Y37	RES,RK 331J 1/16 -CP
MAIN-P.W.Board			<a href="#">R309</a>	06S15593Y93	RES,RK 683F 1/10 -CP
MAIN-P.W.Board			<a href="#">R310</a>	06S15593Y93	RES,RK 683F 1/10 -CP
MAIN-P.W.Board			<a href="#">R311</a>	06S64995F37	RES,RK 221J 1/8 -CP
MAIN-P.W.Board			<a href="#">R312</a>	06S64995F37	RES,RK 221J 1/8 -CP
MAIN-P.W.Board			<a href="#">R313</a>	06S64995F37	RES,RK 221J 1/8 -CP
MAIN-P.W.Board			<a href="#">R314</a>	06S64995F37	RES,RK 221J 1/8 -CP
MAIN-P.W.Board			<a href="#">R315</a>	06S64995F37	RES,RK 221J 1/8 -CP
MAIN-P.W.Board			<a href="#">R316</a>	06S64995F37	RES,RK 221J 1/8 -CP
MAIN-P.W.Board			<a href="#">R317</a>	06S64995F29	RES,RK 101J 1/8 -CP
MAIN-P.W.Board			<a href="#">R318</a>	06S35095Y08	RES,RK JUMPER 1/4-CP
MAIN-P.W.Board			<a href="#">R319</a>	06S64995F29	RES,RK 101J 1/8 -CP
MAIN-P.W.Board			<a href="#">R320</a>	06S64995F29	RES,RK 101J 1/8 -CP
MAIN-P.W.Board			<a href="#">R321</a>	06S64995F29	RES,RK 101J 1/8 -CP

Mark Model Code  
#1 CDE-153BT Only,  
\$1 CDE-153EBT Only,  
%1 CDE-153CBT Only,

Others:Common.

IC501(\*) :51-27561Z01(W25Q32FVSSIG -ST)

Software is not written in to the part indicated with (\*).

NOTE:The part that has not PART NUMBER will not be supplied.

P.W.Board	MIS	MODEL	Ref.	Parts No.	Parts Name
-----------	-----	-------	------	-----------	------------

MAIN-P.W.Board			<a href="#">R322</a>	06S64995F29	RES,RK 101J 1/8 -CP
MAIN-P.W.Board			<a href="#">R323</a>	06S64995F29	RES,RK 101J 1/8 -CP
MAIN-P.W.Board		#1	<a href="#">R324</a>	06S45674W85	RES,RK 153J 1/10 -CP
MAIN-P.W.Board		#1	<a href="#">R325</a>	06S70072F77	RES,CP .103-J-1/4-CP
MAIN-P.W.Board		#1	<a href="#">R326</a>	06S45674W92	RES,RK 303J 1/10 -CP
MAIN-P.W.Board			<a href="#">R344</a>	06S15615Y73	RES,RK 103J 1/16 -CP
MAIN-P.W.Board			<a href="#">R345</a>	06S45674W41	RES,RK 221J 1/10 -CP
MAIN-P.W.Board			<a href="#">R346</a>	06S15615Y77	RES,RK 153J 1/16 -CP
MAIN-P.W.Board			<a href="#">R347</a>	06S15615Y73	RES,RK 103J 1/16 -CP
MAIN-P.W.Board			<a href="#">R348</a>	06S15615Y25	RES,RK 101J 1/16 -CP
MAIN-P.W.Board			<a href="#">R349</a>	06S15615Y69	RES,RK 682J 1/16 -CP
MAIN-P.W.Board			<a href="#">R350</a>	06S70072F29	RES,CP .101-J-1/4-CP
MAIN-P.W.Board			<a href="#">R351</a>	06S15615Y25	RES,RK 101J 1/16 -CP
MAIN-P.W.Board			<a href="#">R500</a>	06S45675W43	RES,RK JUMPER1/10-CP
MAIN-P.W.Board			<a href="#">R501</a>	06S15615Y25	RES,RK 101J 1/16 -CP
MAIN-P.W.Board			<a href="#">R502</a>	06S45674W81	RES,RK 103J 1/10 -CP
MAIN-P.W.Board			<a href="#">R503</a>	06S45674W57	RES,RK 102J 1/10 -CP
MAIN-P.W.Board			<a href="#">R504</a>	06S45674W81	RES,RK 103J 1/10 -CP
MAIN-P.W.Board			<a href="#">R505</a>	06S70072F53	RES,CP .102-J-1/4-CP
MAIN-P.W.Board			<a href="#">R506</a>	06S15593Y73	RES,RK 103F 1/10 -CP
MAIN-P.W.Board			<a href="#">R507</a>	06S45674W57	RES,RK 102J 1/10 -CP
MAIN-P.W.Board			<a href="#">R508</a>	06S15615Y73	RES,RK 103J 1/16 -CP
MAIN-P.W.Board			<a href="#">R509</a>	06S15593Y73	RES,RK 103F 1/10 -CP
MAIN-P.W.Board			<a href="#">R510</a>	06S45674W57	RES,RK 102J 1/10 -CP
MAIN-P.W.Board			<a href="#">R511</a>	06S45674W57	RES,RK 102J 1/10 -CP
MAIN-P.W.Board			<a href="#">R512</a>	06S45674W57	RES,RK 102J 1/10 -CP
MAIN-P.W.Board			<a href="#">R513</a>	06S45674W57	RES,RK 102J 1/10 -CP
MAIN-P.W.Board			<a href="#">R514</a>	06S45674W57	RES,RK 102J 1/10 -CP
MAIN-P.W.Board			<a href="#">R515</a>	06S15594Y23	RES,RK JUMPER1/10-CP
MAIN-P.W.Board			<a href="#">R516</a>	06S45674W89	RES,RK 223J 1/10 -CP
MAIN-P.W.Board			<a href="#">R517</a>	06S45674W57	RES,RK 102J 1/10 -CP
MAIN-P.W.Board			<a href="#">R518</a>	06S15594Y23	RES,RK JUMPER1/10-CP
MAIN-P.W.Board			<a href="#">R519</a>	06S45674W57	RES,RK 102J 1/10 -CP
MAIN-P.W.Board			<a href="#">R520</a>	06S15594Y23	RES,RK JUMPER1/10-CP
MAIN-P.W.Board			<a href="#">R521</a>	06S45674W89	RES,RK 223J 1/10 -CP
MAIN-P.W.Board			<a href="#">R522</a>	06S15615Y89	RES,RK 473J 1/16 -CP
MAIN-P.W.Board			<a href="#">R524</a>	06S15615Y37	RES,RK 331J 1/16 -CP
MAIN-P.W.Board			<a href="#">R525</a>	06S15615Y49	RES,RK 102J 1/16 -CP
MAIN-P.W.Board			<a href="#">R526</a>	06S15616Y23	RES,RK JUMPER1/16-CP
MAIN-P.W.Board			<a href="#">R527</a>	06S15616Y23	RES,RK JUMPER1/16-CP
MAIN-P.W.Board			<a href="#">R528</a>	06S15616Y23	RES,RK JUMPER1/16-CP

Mark Model Code  
#1 CDE-153BT Only,  
\$1 CDE-153EBT Only,  
%1 CDE-153CBT Only,

Others:Common.

IC501(\*) :51-27561Z01(W25Q32FVSSIG -ST)

Software is not written in to the part indicated with (\*).

NOTE:The part that has not PART NUMBER will not be supplied.

P.W.Board	MIS	MODEL	Ref.	Parts No.	Parts Name
-----------	-----	-------	------	-----------	------------

MAIN-P.W.Board			<a href="#">R529</a>	06S15616Y23	RES,RK JUMPER1/16-CP
MAIN-P.W.Board			<a href="#">R530</a>	06S15616Y23	RES,RK JUMPER1/16-CP
MAIN-P.W.Board			<a href="#">R531</a>	06S15616Y23	RES,RK JUMPER1/16-CP
MAIN-P.W.Board			<a href="#">R532</a>	06S15616Y23	RES,RK JUMPER1/16-CP
MAIN-P.W.Board			<a href="#">R533</a>	06S15615Y77	RES,RK 153J 1/16 -CP
MAIN-P.W.Board			<a href="#">R534</a>	06S15615Y77	RES,RK 153J 1/16 -CP
MAIN-P.W.Board			<a href="#">R535</a>	06S65415Y09	RES,RK 47RF 1/16 -CP
MAIN-P.W.Board			<a href="#">R536</a>	06S65415Y09	RES,RK 47RF 1/16 -CP
MAIN-P.W.Board			<a href="#">R539</a>	06S45674W89	RES,RK 223J 1/10 -CP
MAIN-P.W.Board			<a href="#">R540</a>	06S15615Y89	RES,RK 473J 1/16 -CP
MAIN-P.W.Board			<a href="#">R541</a>	06S15615Y81	RES,RK 223J 1/16 -CP
MAIN-P.W.Board			<a href="#">R542</a>	06S15616Y23	RES,RK JUMPER1/16-CP
MAIN-P.W.Board			<a href="#">R543</a>	06S45674W89	RES,RK 223J 1/10 -CP
MAIN-P.W.Board			<a href="#">R544</a>	06S15615Y89	RES,RK 473J 1/16 -CP
MAIN-P.W.Board			<a href="#">R545</a>	06S15615Y37	RES,RK 331J 1/16 -CP
MAIN-P.W.Board			<a href="#">R546</a>	06S45675W43	RES,RK JUMPER1/10-CP
MAIN-P.W.Board			<a href="#">R547</a>	06S15615Y33	RES,RK 221J 1/16 -CP
MAIN-P.W.Board			<a href="#">R548</a>	06S15615Y37	RES,RK 331J 1/16 -CP
MAIN-P.W.Board			<a href="#">R549</a>	06S15615Y25	RES,RK 101J 1/16 -CP
MAIN-P.W.Board			<a href="#">R550</a>	06S15615Y89	RES,RK 473J 1/16 -CP
MAIN-P.W.Board			<a href="#">R551</a>	06S15615Y25	RES,RK 101J 1/16 -CP
MAIN-P.W.Board			<a href="#">R552</a>	06S15615Y37	RES,RK 331J 1/16 -CP
MAIN-P.W.Board			<a href="#">R553</a>	06S15615Y34	RES,RK 241J 1/16 -CP
MAIN-P.W.Board			<a href="#">R554</a>	06S15615Y25	RES,RK 101J 1/16 -CP
MAIN-P.W.Board			<a href="#">R555</a>	06S15615Y49	RES,RK 102J 1/16 -CP
MAIN-P.W.Board			<a href="#">R558</a>	06S45674W81	RES,RK 103J 1/10 -CP
MAIN-P.W.Board			<a href="#">R559</a>	06S15615Y25	RES,RK 101J 1/16 -CP
MAIN-P.W.Board			<a href="#">R560</a>	06S15615Y25	RES,RK 101J 1/16 -CP
MAIN-P.W.Board			<a href="#">R561</a>	06S15615Y73	RES,RK 103J 1/16 -CP
MAIN-P.W.Board		\$1	<a href="#">R562</a>	06S45674W81	RES,RK 103J 1/10 -CP
MAIN-P.W.Board		%1	<a href="#">R562</a>	06S45674W81	RES,RK 103J 1/10 -CP
MAIN-P.W.Board		#1	<a href="#">R563</a>	06S45674W81	RES,RK 103J 1/10 -CP
MAIN-P.W.Board			<a href="#">R564</a>	06S15615Y25	RES,RK 101J 1/16 -CP
MAIN-P.W.Board			<a href="#">R568</a>	06S45674W81	RES,RK 103J 1/10 -CP
MAIN-P.W.Board			<a href="#">R569</a>	06S45674W81	RES,RK 103J 1/10 -CP
MAIN-P.W.Board			<a href="#">R570</a>	06S15615Y25	RES,RK 101J 1/16 -CP
MAIN-P.W.Board			<a href="#">R571</a>	06S15615Y25	RES,RK 101J 1/16 -CP
MAIN-P.W.Board			<a href="#">R572</a>	06S45674W81	RES,RK 103J 1/10 -CP
MAIN-P.W.Board			<a href="#">R573</a>	06S45674W81	RES,RK 103J 1/10 -CP
MAIN-P.W.Board			<a href="#">R574</a>	06S64996F26	RES,RK 105J 1/8 -CP
MAIN-P.W.Board			<a href="#">R575</a>	06S15615Y25	RES,RK 101J 1/16 -CP

Mark Model Code  
#1 CDE-153BT Only,  
\$1 CDE-153EBT Only,  
%1 CDE-153CBT Only,

Others:Common.

IC501(\*) :51-27561Z01(W25Q32FVSSIG -ST)

Software is not written in to the part indicated with (\*).

NOTE:The part that has not PART NUMBER will not be supplied.

P.W.Board	MIS	MODEL	Ref.	Parts No.	Parts Name
-----------	-----	-------	------	-----------	------------

MAIN-P.W.Board			<a href="#">R576</a>	06S15615Y25	RES,RK 101J 1/16 -CP
MAIN-P.W.Board			<a href="#">R577</a>	06S15615Y59	RES,RK 272J 1/16 -CP
MAIN-P.W.Board			<a href="#">R578</a>	06S15615Y59	RES,RK 272J 1/16 -CP
MAIN-P.W.Board			<a href="#">R579</a>	06S15615Y25	RES,RK 101J 1/16 -CP
MAIN-P.W.Board			<a href="#">R580</a>	06S15615Y25	RES,RK 101J 1/16 -CP
MAIN-P.W.Board			<a href="#">R581</a>	06S15615Y59	RES,RK 272J 1/16 -CP
MAIN-P.W.Board			<a href="#">R582</a>	06S15615Y59	RES,RK 272J 1/16 -CP
MAIN-P.W.Board			<a href="#">R583</a>	06S15615Y73	RES,RK 103J 1/16 -CP
MAIN-P.W.Board			<a href="#">R584</a>	06S15615Y25	RES,RK 101J 1/16 -CP
MAIN-P.W.Board			<a href="#">R585</a>	06S15615Y25	RES,RK 101J 1/16 -CP
MAIN-P.W.Board			<a href="#">R586</a>	06S15615Y73	RES,RK 103J 1/16 -CP
MAIN-P.W.Board			<a href="#">R587</a>	06S15615Y73	RES,RK 103J 1/16 -CP
MAIN-P.W.Board			<a href="#">R588</a>	06S15615Y73	RES,RK 103J 1/16 -CP
MAIN-P.W.Board			<a href="#">R589</a>	06S45675W43	RES,RK JUMPER1/10-CP
MAIN-P.W.Board			<a href="#">R590</a>	06S15615Y73	RES,RK 103J 1/16 -CP
MAIN-P.W.Board			<a href="#">R591</a>	06S15593Y49	RES,RK 102F 1/10 -CP
MAIN-P.W.Board			<a href="#">R592</a>	06S15593Y41	RES,RK 471F 1/10 -CP
MAIN-P.W.Board			<a href="#">R593</a>	06S15615Y73	RES,RK 103J 1/16 -CP
MAIN-P.W.Board			<a href="#">R594</a>	06S15615Y73	RES,RK 103J 1/16 -CP
MAIN-P.W.Board			<a href="#">R595</a>	06S15615Y73	RES,RK 103J 1/16 -CP
MAIN-P.W.Board			<a href="#">R596</a>	06S15615Y73	RES,RK 103J 1/16 -CP
MAIN-P.W.Board			<a href="#">R597</a>	06S15615Y81	RES,RK 223J 1/16 -CP
MAIN-P.W.Board			<a href="#">R598</a>	06S15615Y81	RES,RK 223J 1/16 -CP
MAIN-P.W.Board			<a href="#">R599</a>	06S15615Y25	RES,RK 101J 1/16 -CP
MAIN-P.W.Board			<a href="#">R600</a>	06S15615Y89	RES,RK 473J 1/16 -CP
MAIN-P.W.Board			<a href="#">R601</a>	06S15615Y25	RES,RK 101J 1/16 -CP
MAIN-P.W.Board			<a href="#">R602</a>	06S15615Y89	RES,RK 473J 1/16 -CP
MAIN-P.W.Board			<a href="#">R603</a>	06S15615Y89	RES,RK 473J 1/16 -CP
MAIN-P.W.Board			<a href="#">R604</a>	06S15615Y53	RES,RK 152J 1/16 -CP
MAIN-P.W.Board			<a href="#">R605</a>	06S64996F26	RES,RK 105J 1/8 -CP
MAIN-P.W.Board			<a href="#">R606</a>	06S15616Y23	RES,RK JUMPER1/16-CP
MAIN-P.W.Board			<a href="#">R607</a>	06S15616Y23	RES,RK JUMPER1/16-CP
MAIN-P.W.Board			<a href="#">R608</a>	06S15616Y23	RES,RK JUMPER1/16-CP
MAIN-P.W.Board		#1	<a href="#">R609</a>	06S45675W43	RES,RK JUMPER1/10-CP
MAIN-P.W.Board			<a href="#">R610</a>	06S15615Y73	RES,RK 103J 1/16 -CP
MAIN-P.W.Board			<a href="#">R611</a>	06S15615Y73	RES,RK 103J 1/16 -CP
MAIN-P.W.Board			<a href="#">R612</a>	06S15615Y25	RES,RK 101J 1/16 -CP
MAIN-P.W.Board			<a href="#">R613</a>	06S15615Y25	RES,RK 101J 1/16 -CP
MAIN-P.W.Board			<a href="#">R614</a>	06S15615Y73	RES,RK 103J 1/16 -CP
MAIN-P.W.Board			<a href="#">R618</a>	06S15615Y25	RES,RK 101J 1/16 -CP
MAIN-P.W.Board			<a href="#">R620</a>	06S45675W43	RES,RK JUMPER1/10-CP

Mark Model Code  
#1 CDE-153BT Only,  
\$1 CDE-153EBT Only,  
%1 CDE-153CBT Only,

Others:Common.

IC501(\*) :51-27561Z01(W25Q32FVSSIG -ST)

Software is not written in to the part indicated with (\*).

NOTE:The part that has not PART NUMBER will not be supplied.

P.W.Board	MIS	MODEL	Ref.	Parts No.	Parts Name
-----------	-----	-------	------	-----------	------------

MAIN-P.W.Board			<a href="#">R621</a>	06S45675W43	RES,RK JUMPER1/10-CP
MAIN-P.W.Board			<a href="#">R622</a>	06S15616Y23	RES,RK JUMPER1/16-CP
MAIN-P.W.Board			<a href="#">R623</a>	06S15615Y25	RES,RK 101J 1/16 -CP
MAIN-P.W.Board			<a href="#">R624</a>	06S45675W43	RES,RK JUMPER1/10-CP
MAIN-P.W.Board			<a href="#">R625</a>	06S45675W43	RES,RK JUMPER1/10-CP
MAIN-P.W.Board			<a href="#">R626</a>	06S45675W43	RES,RK JUMPER1/10-CP
MAIN-P.W.Board			<a href="#">R627</a>	06S45675W43	RES,RK JUMPER1/10-CP
MAIN-P.W.Board			<a href="#">R633</a>	06S15615Y25	RES,RK 101J 1/16 -CP
MAIN-P.W.Board			<a href="#">R634</a>	06S15616Y23	RES,RK JUMPER1/16-CP
MAIN-P.W.Board			<a href="#">R635</a>	06S15616Y23	RES,RK JUMPER1/16-CP
MAIN-P.W.Board			<a href="#">R636</a>	06S15615Y33	RES,RK 221J 1/16 -CP
MAIN-P.W.Board			<a href="#">R637</a>	06S15616Y23	RES,RK JUMPER1/16-CP
MAIN-P.W.Board			<a href="#">R638</a>	06S15615Y33	RES,RK 221J 1/16 -CP
MAIN-P.W.Board			<a href="#">R639</a>	06S15615Y33	RES,RK 221J 1/16 -CP
MAIN-P.W.Board			<a href="#">R640</a>	06S15616Y23	RES,RK JUMPER1/16-CP
MAIN-P.W.Board			<a href="#">R642</a>	06S15616Y23	RES,RK JUMPER1/16-CP
MAIN-P.W.Board			<a href="#">R643</a>	06S15615Y97	RES,RK 104J 1/16 -CP
MAIN-P.W.Board			<a href="#">R644</a>	06S15615Y25	RES,RK 101J 1/16 -CP
MAIN-P.W.Board			<a href="#">R645</a>	06S15615Y25	RES,RK 101J 1/16 -CP
MAIN-P.W.Board			<a href="#">R646</a>	06S70072F53	RES,CP .102-J-1/4-CP
MAIN-P.W.Board			<a href="#">R647</a>	06S15615Y25	RES,RK 101J 1/16 -CP
MAIN-P.W.Board			<a href="#">R648</a>	06S15615Y25	RES,RK 101J 1/16 -CP
MAIN-P.W.Board			<a href="#">R649</a>	06S15615Y25	RES,RK 101J 1/16 -CP
MAIN-P.W.Board			<a href="#">R650</a>	06S15615Y25	RES,RK 101J 1/16 -CP
MAIN-P.W.Board			<a href="#">R651</a>	06S15615Y25	RES,RK 101J 1/16 -CP
MAIN-P.W.Board			<a href="#">R652</a>	06S15615Y25	RES,RK 101J 1/16 -CP
MAIN-P.W.Board			<a href="#">R653</a>	06S15615Y25	RES,RK 101J 1/16 -CP
MAIN-P.W.Board			<a href="#">R655</a>	06S15616Y23	RES,RK JUMPER1/16-CP
MAIN-P.W.Board		#1	<a href="#">R656</a>	06S45674W81	RES,RK 103J 1/10 -CP
MAIN-P.W.Board		\$1	<a href="#">R656</a>	06S45674W81	RES,RK 103J 1/10 -CP
MAIN-P.W.Board		%1	<a href="#">R657</a>	06S45675W43	RES,RK JUMPER1/10-CP
MAIN-P.W.Board			<a href="#">R658</a>	06S15615Y25	RES,RK 101J 1/16 -CP
MAIN-P.W.Board			<a href="#">R659</a>	06S15615Y25	RES,RK 101J 1/16 -CP
MAIN-P.W.Board		%1	<a href="#">R660</a>	06S45674W81	RES,RK 103J 1/10 -CP
MAIN-P.W.Board			<a href="#">R661</a>	06S45674W57	RES,RK 102J 1/10 -CP
MAIN-P.W.Board			<a href="#">R662</a>	06S45674W97	RES,RK 473J 1/10 -CP
MAIN-P.W.Board			<a href="#">R663</a>	06S15615Y33	RES,RK 221J 1/16 -CP
MAIN-P.W.Board			<a href="#">R664</a>	06S15615Y33	RES,RK 221J 1/16 -CP
MAIN-P.W.Board			<a href="#">R665</a>	06S15615Y33	RES,RK 221J 1/16 -CP
MAIN-P.W.Board			<a href="#">R666</a>	06S15615Y33	RES,RK 221J 1/16 -CP
MAIN-P.W.Board			<a href="#">R667</a>	06S15615Y89	RES,RK 473J 1/16 -CP

Mark Model Code  
#1 CDE-153BT Only,  
\$1 CDE-153EBT Only,  
%1 CDE-153CBT Only,

Others:Common.

IC501(\*) :51-27561Z01(W25Q32FVSSIG -ST)

Software is not written in to the part indicated with (\*).

NOTE:The part that has not PART NUMBER will not be supplied.

P.W.Board	MIS	MODEL	Ref.	Parts No.	Parts Name
-----------	-----	-------	------	-----------	------------

MAIN-P.W.Board		\$1	<a href="#">R681</a>	06S45675W43	RES,RK JUMPER1/10-CP
MAIN-P.W.Board			<a href="#">R701</a>	06S45674W90	RES,RK 243J 1/10 -CP
MAIN-P.W.Board			<a href="#">R702</a>	06S70072F66	RES,CP .362-J-1/4-CP
MAIN-P.W.Board			<a href="#">R703</a>	06S15615Y89	RES,RK 473J 1/16 -CP
MAIN-P.W.Board			<a href="#">R704</a>	06S15615Y89	RES,RK 473J 1/16 -CP
MAIN-P.W.Board			<a href="#">R706</a>	06S45675W30	RES,RK 105J 1/10 -CP
MAIN-P.W.Board			<a href="#">R707</a>	06S45674W41	RES,RK 221J 1/10 -CP
MAIN-P.W.Board			<a href="#">R708</a>	06S15615Y89	RES,RK 473J 1/16 -CP
MAIN-P.W.Board			<a href="#">R709</a>	06S15615Y89	RES,RK 473J 1/16 -CP
MAIN-P.W.Board			<a href="#">R710</a>	06S15616Y18	RES,RK 684J 1/16 -CP
MAIN-P.W.Board			<a href="#">R711</a>	06S15615Y77	RES,RK 153J 1/16 -CP
MAIN-P.W.Board			<a href="#">R712</a>	06S15615Y89	RES,RK 473J 1/16 -CP
MAIN-P.W.Board			<a href="#">R713</a>	06S15615Y83	RES,RK 273J 1/16 -CP
MAIN-P.W.Board			<a href="#">R714</a>	06S45674W61	RES,RK 152J 1/10 -CP
MAIN-P.W.Board			<a href="#">R715</a>	06S15615Y25	RES,RK 101J 1/16 -CP
MAIN-P.W.Board			<a href="#">R716</a>	06S15615Y91	RES,RK 563J 1/16 -CP
MAIN-P.W.Board			<a href="#">R718</a>	06S15615Y63	RES,RK 392J 1/16 -CP
MAIN-P.W.Board			<a href="#">R719</a>	06S15615Y25	RES,RK 101J 1/16 -CP
MAIN-P.W.Board			<a href="#">R720</a>	06S15615Y91	RES,RK 563J 1/16 -CP
MAIN-P.W.Board			<a href="#">R721</a>	06S15615Y85	RES,RK 333J 1/16 -CP
MAIN-P.W.Board			<a href="#">R730</a>	06S70072F90	RES,CP .1R0-J-1/4-CP
MAIN-P.W.Board			<a href="#">R732</a>	06S15615Y73	RES,RK 103J 1/16 -CP
MAIN-P.W.Board			<a href="#">R733</a>	06S15615Y81	RES,RK 223J 1/16 -CP
MAIN-P.W.Board			<a href="#">R734</a>	06S15615Y72	RES,RK 912J 1/16 -CP
MAIN-P.W.Board			<a href="#">R735</a>	06S15615Y72	RES,RK 912J 1/16 -CP
MAIN-P.W.Board			<a href="#">R736</a>	06S15615Y72	RES,RK 912J 1/16 -CP
MAIN-P.W.Board			<a href="#">R737</a>	06S15615Y73	RES,RK 103J 1/16 -CP
MAIN-P.W.Board			<a href="#">R738</a>	06S15616Y23	RES,RK JUMPER1/16-CP
MAIN-P.W.Board			<a href="#">R739</a>	06S15616Y36	RES,RK 225J 1/16 -CP
MAIN-P.W.Board			<a href="#">R740</a>	06S70072F33	RES,CP .151-J-1/4-CP
MAIN-P.W.Board			<a href="#">R800</a>	06S45674W81	RES,RK 103J 1/10 -CP
MAIN-P.W.Board			<a href="#">R801</a>	06S45674W81	RES,RK 103J 1/10 -CP
MAIN-P.W.Board			<a href="#">R802</a>	06S15593Y90	RES,RK 513F 1/10 -CP
MAIN-P.W.Board			<a href="#">R803</a>	06-12372Z02	RES,RK R015F 1/5 -CP
MAIN-P.W.Board			<a href="#">R805</a>	06S15616Y06	RES,RK 224J 1/16 -CP
MAIN-P.W.Board			<a href="#">R806</a>	06S15593Y76	RES,RK 133F 1/10 -CP
MAIN-P.W.Board			<a href="#">R807</a>	06S45675W06	RES,RK 104J 1/10 -CP
MAIN-P.W.Board			<a href="#">R808</a>	06S65415Y51	RES,RK 154F 1/16 -CP
MAIN-P.W.Board			<a href="#">R812</a>	06S15615Y82	RES,RK 243J 1/16 -CP
MAIN-P.W.Board			<a href="#">R813</a>	06S15615Y40	RES,RK 431J 1/16 -CP
MAIN-P.W.Board			<a href="#">R814</a>	06S35084Y47	RES,RK 683F 1/8 -CP

Mark Model Code  
#1 CDE-153BT Only,  
\$1 CDE-153EBT Only,  
%1 CDE-153CBT Only,

Others:Common.

IC501(\*) :51-27561Z01(W25Q32FVSSIG -ST)

Software is not written in to the part indicated with (\*).

NOTE:The part that has not PART NUMBER will not be supplied.

P.W.Board	MIS	MODEL	Ref.	Parts No.	Parts Name
-----------	-----	-------	------	-----------	------------

MAIN-P.W.Board			<a href="#">R815</a>	06S65415Y47	RES,RK 683F 1/16 -CP
MAIN-P.W.Board			<a href="#">R816</a>	06S15615Y68	RES,RK 622J 1/16 -CP
MAIN-P.W.Board			<a href="#">R817</a>	06S70072F37	RES,CP .221-J-1/4-CP
MAIN-P.W.Board			<a href="#">R818</a>	06S65415Y34	RES,RK 562F 1/16 -CP
MAIN-P.W.Board			<a href="#">R819</a>	06S65415Y43	RES,RK 333F 1/16 -CP
MAIN-P.W.Board			<a href="#">R820</a>	06S65415Y43	RES,RK 333F 1/16 -CP
MAIN-P.W.Board			<a href="#">R821</a>	06S70072F77	RES,CP .103-J-1/4-CP
MAIN-P.W.Board			<a href="#">R822</a>	06S35083Y41	RES,RK 223F 1/4 -CP
MAIN-P.W.Board			<a href="#">R823</a>	06S15615Y59	RES,RK 272J 1/16 -CP
MAIN-P.W.Board			<a href="#">R824</a>	06S35083Y41	RES,RK 223F 1/4 -CP
MAIN-P.W.Board			<a href="#">R825</a>	06S15593Y77	RES,RK 153F 1/10 -CP
MAIN-P.W.Board			<a href="#">R826</a>	06S35083Y44	RES,RK 393F 1/4 -CP
MAIN-P.W.Board			<a href="#">R827</a>	06S70072F37	RES,CP .221-J-1/4-CP
MAIN-P.W.Board			<a href="#">R829</a>	06S15615Y37	RES,RK 331J 1/16 -CP
MAIN-P.W.Board			<a href="#">R830</a>	06S45674W90	RES,RK 243J 1/10 -CP
MAIN-P.W.Board			<a href="#">R831</a>	06-12372Z02	RES,RK R015F 1/5 -CP
MAIN-P.W.Board			<a href="#">R832</a>	06S15616Y23	RES,RK JUMPER1/16-CP
MAIN-P.W.Board			<a href="#">R833</a>	06S15615Y49	RES,RK 102J 1/16 -CP
MAIN-P.W.Board			<a href="#">R834</a>	06S70072F77	RES,CP .103-J-1/4-CP
MAIN-P.W.Board			<a href="#">R835</a>	06S45675W43	RES,RK JUMPER1/10-CP
MAIN-P.W.Board			<a href="#">R837</a>	06S15615Y58	RES,RK 242J 1/16 -CP
MAIN-P.W.Board			<a href="#">R838</a>	06S45675W43	RES,RK JUMPER1/10-CP
MAIN-P.W.Board			<a href="#">R839</a>	06S15593Y92	RES,RK 623F 1/10 -CP
MAIN-P.W.Board			<a href="#">R841</a>	06S15615Y91	RES,RK 563J 1/16 -CP
MAIN-P.W.Board			<a href="#">R842</a>	06S15616Y12	RES,RK 394J 1/16 -CP
MAIN-P.W.Board			<a href="#">R843</a>	06S15615Y69	RES,RK 682J 1/16 -CP
MAIN-P.W.Board			<a href="#">R844</a>	06S15616Y02	RES,RK 154J 1/16 -CP
MAIN-P.W.Board			<a href="#">R845</a>	06S35083Y34	RES,RK 562F 1/4 -CP
MAIN-P.W.Board			<a href="#">R846</a>	06S15615Y86	RES,RK 363J 1/16 -CP
MAIN-P.W.Board			<a href="#">R847</a>	06S35083Y45	RES,RK 473F 1/4 -CP
MAIN-P.W.Board			<a href="#">R848</a>	06S70072F69	RES,CP .472-J-1/4-CP
MAIN-P.W.Board			<a href="#">R849</a>	06S15615Y66	RES,RK 512J 1/16 -CP
MAIN-P.W.Board			<a href="#">R850</a>	06S15615Y98	RES,RK 114J 1/16 -CP
MAIN-P.W.Board			<a href="#">R851</a>	06S15615Y66	RES,RK 512J 1/16 -CP
MAIN-P.W.Board			<a href="#">R852</a>	06S15615Y99	RES,RK 124J 1/16 -CP
MAIN-P.W.Board			<a href="#">R854</a>	06S15615Y25	RES,RK 101J 1/16 -CP
MAIN-P.W.Board			<a href="#">R857</a>	06S45674W90	RES,RK 243J 1/10 -CP
MAIN-P.W.Board			<a href="#">R858</a>	06S15615Y72	RES,RK 912J 1/16 -CP
MAIN-P.W.Board			<a href="#">R859</a>	06S45674W98	RES,RK 513J 1/10 -CP
MAIN-P.W.Board			<a href="#">R861</a>	06S15615Y65	RES,RK 472J 1/16 -CP
MAIN-P.W.Board			<a href="#">R862</a>	06S15616Y01	RES,RK 134J 1/16 -CP


Mark Model Code  
#1 CDE-153BT Only,  
\$1 CDE-153EBT Only,  
%1 CDE-153CBT Only,

Others:Common.

IC501(\*) :51-27561Z01(W25Q32FVSSIG -ST)

Software is not written in to the part indicated with (\*).

NOTE:The part that has not PART NUMBER will not be supplied.

P.W.Board	MIS	MODEL	Ref.	Parts No.	Parts Name
MAIN-P.W.Board			<a href="#">R901</a>	06S15615Y57	RES,RK 222J 1/16 -CP
MAIN-P.W.Board			<a href="#">R902</a>	06S15615Y57	RES,RK 222J 1/16 -CP
MAIN-P.W.Board			<a href="#">R903</a>	06S15615Y25	RES,RK 101J 1/16 -CP
MAIN-P.W.Board			<a href="#">R904</a>	06S15615Y49	RES,RK 102J 1/16 -CP
MAIN-P.W.Board			<a href="#">R905</a>	06S15615Y25	RES,RK 101J 1/16 -CP
MAIN-P.W.Board			<a href="#">R907</a>	06S15615Y25	RES,RK 101J 1/16 -CP
MAIN-P.W.Board			<a href="#">R908</a>	06S15615Y49	RES,RK 102J 1/16 -CP
MAIN-P.W.Board			<a href="#">R909</a>	06S65415Y11	RES,RK 68RF 1/16 -CP
MAIN-P.W.Board			<a href="#">R911</a>	06S45675W30	RES,RK 105J 1/10 -CP
MAIN-P.W.Board			<a href="#">R912</a>	06S45674W89	RES,RK 223J 1/10 -CP
MAIN-P.W.Board			<a href="#">R913</a>	06S70072F29	RES,CP .101-J-1/4-CP
MAIN-P.W.Board			<a href="#">R914</a>	06S15615Y57	RES,RK 222J 1/16 -CP
MAIN-P.W.Board			<a href="#">R915</a>	06S45674W69	RES,RK 332J 1/10 -CP
MAIN-P.W.Board			<a href="#">R916</a>	06S45674W89	RES,RK 223J 1/10 -CP
MAIN-P.W.Board			<a href="#">R917</a>	06S45674W57	RES,RK 102J 1/10 -CP
MAIN-P.W.Board		#1	<a href="#">R919</a>	06S45674W97	RES,RK 473J 1/10 -CP
MAIN-P.W.Board		#1	<a href="#">R920</a>	06S45674W97	RES,RK 473J 1/10 -CP
MAIN-P.W.Board		#1	<a href="#">R921</a>	06S45674W97	RES,RK 473J 1/10 -CP
MAIN-P.W.Board		#1	<a href="#">R922</a>	06S70072F53	RES,CP .102-J-1/4-CP
MAIN-P.W.Board		#1	<a href="#">R923</a>	06S70072F53	RES,CP .102-J-1/4-CP
MAIN-P.W.Board		#1	<a href="#">R924</a>	06S45674W97	RES,RK 473J 1/10 -CP
MAIN-P.W.Board		#1	<a href="#">R925</a>	06S70072F53	RES,CP .102-J-1/4-CP
MAIN-P.W.Board		#1	<a href="#">R926</a>	06S35095Y08	RES,RK JUMPER 1/4-CP
MAIN-P.W.Board		#1	<a href="#">R927</a>	06S35095Y08	RES,RK JUMPER 1/4-CP
MAIN-P.W.Board		#1	<a href="#">R928</a>	06S35095Y08	RES,RK JUMPER 1/4-CP
MAIN-P.W.Board			<a href="#">R933</a>	06S45674W65	RES,RK 222J 1/10 -CP
MAIN-P.W.Board			<a href="#">R934</a>	06S45674W89	RES,RK 223J 1/10 -CP
MAIN-P.W.Board			<a href="#">RA501</a>	06S15771Y13	RES,ARYEXB28V101J-CP
MAIN-P.W.Board		#1	<a href="#">RA502</a>	06S15771Y13	RES,ARYEXB28V101J-CP
MAIN-P.W.Board			<a href="#">RA701</a>	06S15771Y33	RES,ARY 472J 4 -CP
MAIN-P.W.Board			<a href="#">RA702</a>	06S15771Y33	RES,ARY 472J 4 -CP
MAIN-P.W.Board			<a href="#">RA703</a>	06S15771Y13	RES,ARYEXB28V101J-CP
MAIN-P.W.Board			<a href="#">RA704</a>	06S15771Y13	RES,ARYEXB28V101J-CP
MAIN-P.W.Board			<a href="#">RA705</a>	06S15771Y13	RES,ARYEXB28V101J-CP
MAIN-P.W.Board			<a href="#">RA706</a>	06S15771Y13	RES,ARYEXB28V101J-CP
MAIN-P.W.Board			<a href="#">RA707</a>	06S15771Y45	RES,ARYEXB28V473J-CP
MAIN-P.W.Board			<a href="#">RA708</a>	06S15771Y45	RES,ARYEXB28V473J-CP
MAIN-P.W.Board			<a href="#">SA101</a>	48-00954Z03	VST,CSA30-401Q-T -CP
MAIN-P.W.Board			<a href="#">SD801</a>	48T45286Y01	DIO,SHT RB050L-40-E1
MAIN-P.W.Board			<a href="#">SF601</a>	91-25003Z01	SAW,B39242B3912U -E1
MAIN-P.W.Board			<a href="#">SW501</a>	40T16096W03	SW ,TACT SKHHLW

Mark Model Code  
#1 CDE-153BT Only,  
\$1 CDE-153EBT Only,  
%1 CDE-153CBT Only,


Others:Common.

IC501(\*) :51-27561Z01(W25Q32FVSSIG -ST)

Software is not written in to the part indicated with (\*).

NOTE:The part that has not PART NUMBER will not be supplied.

P.W.Board	MIS	MODEL	Ref.	Parts No.	Parts Name
-----------	-----	-------	------	-----------	------------

MAIN-P.W.Board			<a href="#">T302</a>	25-27983Z01	CHOKE,A090A0201 -DB
MAIN-P.W.Board			<a href="#">VR801</a>	18-12468Z11	VAR,EVM2NSX80 224-CP
MAIN-P.W.Board			<a href="#">VT101</a>	24-03457Z02	COIL,RF FM 5CCE -E6
MAIN-P.W.Board			<a href="#">XL101</a>	91-24701Z06	XTL,DSX321G 62.40-CP
MAIN-P.W.Board			<a href="#">XL502</a>	91-24701Z02	XTL,DSX321G 12.00-CP
MAIN-P.W.Board			<a href="#">XL601</a>	91-26676Z01	XTL,DSX321G 26.00-CP
MAIN-P.W.Board			<a href="#">XL701</a>	91-24701Z01	XTL,DSX321G 16.93-CP
MAIN-P.W.Board			<a href="#">Z502</a>	91T75196Y01	EMI,BK1005HM102 -CP
MAIN-P.W.Board			<a href="#">Z503</a>	91T15509Y08	EMI,BK1608HM102 -CP
MAIN-P.W.Board			<a href="#">Z504</a>	91T15509Y08	EMI,BK1608HM102 -CP
MAIN-P.W.Board			<a href="#">Z505</a>	91T15509Y08	EMI,BK1608HM102 -CP
MAIN-P.W.Board			<a href="#">Z506</a>	91T15509Y08	EMI,BK1608HM102 -CP
MAIN-P.W.Board			<a href="#">Z507</a>	91T15509Y08	EMI,BK1608HM102 -CP
MAIN-P.W.Board			<a href="#">Z508</a>	91T15509Y08	EMI,BK1608HM102 -CP
MAIN-P.W.Board			<a href="#">Z509</a>	91T75196Y01	EMI,BK1005HM102 -CP
MAIN-P.W.Board			<a href="#">Z701</a>	91T75196Y08	EMI,BK1005HW601 -CP
MAIN-P.W.Board			<a href="#">ZD501</a>	48-18196Z02	DIO,ZEN DZ2S051M0LCP
MAIN-P.W.Board			<a href="#">ZD502</a>	48-18196Z02	DIO,ZEN DZ2S051M0LCP
MAIN-P.W.Board			<a href="#">ZD503</a>	48-21149Z19	DIO,ZEN DZ2J051L0LCP
MAIN-P.W.Board			<a href="#">ZD801</a>	48-07043Z37	DIO,ZEN KDZ11V -CP
MAIN-P.W.Board			<a href="#">ZD802</a>	48-21149Z26	DIO,ZEN DZ2J062M0LCP
MAIN-P.W.Board			<a href="#">ZD803</a>	48-01607Z08	DIO,ZEN LUDZ3.9B -CP
MAIN-P.W.Board		#1	<a href="#">ZD901</a>	48-21149Z23	DIO,ZEN DZ2J056M0LCP
MAIN-P.W.Board		#1	<a href="#">ZD902</a>	48-21149Z23	DIO,ZEN DZ2J056M0LCP
MAIN-P.W.Board		#1	<a href="#">ZD903</a>	48-21149Z23	DIO,ZEN DZ2J056M0LCP
FRONT-P.W.Board			<a href="#">C403</a>	08S45676W65	CAP,CER.222K-B1H -CP
FRONT-P.W.Board			<a href="#">C404</a>	08S45232Y07	CAP,CER 222K-B1H -CP
FRONT-P.W.Board			<a href="#">C405</a>	08S45676W65	CAP,CER.222K-B1H -CP
FRONT-P.W.Board			<a href="#">C406</a>	08S45676W85	CAP,CER 104K-B1C -CP
FRONT-P.W.Board			<a href="#">C407</a>	08S45232Y05	CAP,CER 102K-B1H -CP
FRONT-P.W.Board			<a href="#">C408</a>	08S45676W89	CAP,CER 473K-B1E -CP
FRONT-P.W.Board			<a href="#">C409</a>	08S35349Y12	CAP,CER 105K-BOJ -CP
FRONT-P.W.Board			<a href="#">C410</a>	08S45676W89	CAP,CER 473K-B1E -CP
FRONT-P.W.Board			<a href="#">C411</a>	08S35374W12	CAP,CER 106K-BOJ -CP
FRONT-P.W.Board			<a href="#">C412</a>	08S45676W65	CAP,CER.222K-B1H -CP
FRONT-P.W.Board			<a href="#">C413</a>	08S45676W65	CAP,CER.222K-B1H -CP
FRONT-P.W.Board			<a href="#">CB401</a>	09-18716Z01	BTB,DF20-P -EJ
FRONT-P.W.Board			<a href="#">D401</a>	48-12230Z01	DIO,KDS226-RTK -CP
FRONT-P.W.Board			<a href="#">D402</a>	48-12230Z01	DIO,KDS226-RTK -CP
FRONT-P.W.Board			<a href="#">D403</a>	48-12230Z01	DIO,KDS226-RTK -CP
FRONT-P.W.Board			<a href="#">D406</a>	48-12230Z01	DIO,KDS226-RTK -CP

Mark Model Code  
#1 CDE-153BT Only,  
\$1 CDE-153EBT Only,  
%1 CDE-153CBT Only,





Others:Common.

IC501(\*) :51-27561Z01(W25Q32FVSSIG -ST)

Software is not written in to the part indicated with (\*).

NOTE:The part that has not PART NUMBER will not be supplied.

P.W.Board	MIS	MODEL	Ref.	Parts No.	Parts Name
-----------	-----	-------	------	-----------	------------

FRONT-P.W.Board			<a href="#">IC401</a>	51-26843Z01	PT16580-LQ -QT
FRONT-P.W.Board			<a href="#">IC402</a>	51-18623Z01	PNJ4L02M -NE1
FRONT-P.W.Board			<a href="#">JK401</a>	09-27672Z01	JAC,CK-3552 -DB
FRONT-P.W.Board		#1	<a href="#">LCD401</a>	65-26734Z01	LCD,EI0222M0TTN(S)
FRONT-P.W.Board		\$1	<a href="#">LCD401</a>	65-26734Z02	LCD,EI0223M0TTN(S)
FRONT-P.W.Board		%1	<a href="#">LCD401</a>	65-26734Z02	LCD,EI0223M0TTN(S)
FRONT-P.W.Board			<a href="#">LD401</a>	48-27378Z01	LED,ARY MDL541-011DB
FRONT-P.W.Board			<a href="#">LD402</a>	48-15702Z01	LED,BLU SCM015BC7TCP
FRONT-P.W.Board			<a href="#">LD404</a>	48-15702Z01	LED,BLU SCM015BC7TCP
FRONT-P.W.Board			<a href="#">LD405</a>	48-15702Z01	LED,BLU SCM015BC7TCP
FRONT-P.W.Board			<a href="#">LD406</a>	48-15702Z01	LED,BLU SCM015BC7TCP
FRONT-P.W.Board			<a href="#">LD409</a>	48-15702Z01	LED,BLU SCM015BC7TCP
FRONT-P.W.Board			<a href="#">LD410</a>	48-15702Z01	LED,BLU SCM015BC7TCP
FRONT-P.W.Board			<a href="#">LD411</a>	48-15702Z01	LED,BLU SCM015BC7TCP
FRONT-P.W.Board			<a href="#">LD412</a>	48-15702Z01	LED,BLU SCM015BC7TCP
FRONT-P.W.Board			<a href="#">LD413</a>	48-15702Z01	LED,BLU SCM015BC7TCP
FRONT-P.W.Board			<a href="#">LD414</a>	48-15702Z01	LED,BLU SCM015BC7TCP
FRONT-P.W.Board			<a href="#">LD415</a>	48-15702Z01	LED,BLU SCM015BC7TCP
FRONT-P.W.Board			<a href="#">LD416</a>	48-15702Z01	LED,BLU SCM015BC7TCP
FRONT-P.W.Board			<a href="#">LD417</a>	48-15702Z01	LED,BLU SCM015BC7TCP
FRONT-P.W.Board			<a href="#">LD418</a>	48-15702Z01	LED,BLU SCM015BC7TCP
FRONT-P.W.Board			<a href="#">LD419</a>	48-15702Z01	LED,BLU SCM015BC7TCP
FRONT-P.W.Board			<a href="#">LD420</a>	48-15702Z01	LED,BLU SCM015BC7TCP
FRONT-P.W.Board			<a href="#">LD421</a>	48-15702Z01	LED,BLU SCM015BC7TCP
FRONT-P.W.Board			<a href="#">LD427</a>	48-15702Z01	LED,BLU SCM015BC7TCP
FRONT-P.W.Board			<a href="#">Q405</a>	48-13059Z01	TR,KTC2875-B-RTK -CP
FRONT-P.W.Board			<a href="#">Q411</a>	48-21758Z01	TR,DSC2001S0L -CP
FRONT-P.W.Board			<a href="#">R401</a>	06S64995F53	RES,RK 102J 1/8 -CP
FRONT-P.W.Board		%1	<a href="#">R402</a>	06S15616Y23	RES,RK JUMPER1/16-CP
FRONT-P.W.Board			<a href="#">R405</a>	06S70072F62	RES,CP .242-J-1/4-CP
FRONT-P.W.Board			<a href="#">R406</a>	06S64995F53	RES,RK 102J 1/8 -CP
FRONT-P.W.Board			<a href="#">R407</a>	06S64995F53	RES,RK 102J 1/8 -CP
FRONT-P.W.Board			<a href="#">R409</a>	06S64995F53	RES,RK 102J 1/8 -CP
FRONT-P.W.Board			<a href="#">R410</a>	06S64995F53	RES,RK 102J 1/8 -CP
FRONT-P.W.Board			<a href="#">R413</a>	06S64995F53	RES,RK 102J 1/8 -CP
FRONT-P.W.Board		\$1	<a href="#">R417</a>	06S15616Y23	RES,RK JUMPER1/16-CP
FRONT-P.W.Board			<a href="#">R419</a>	06S70072F40	RES,CP .301-J-1/4-CP
FRONT-P.W.Board			<a href="#">R421</a>	06S70072F49	RES,CP .681-J-1/4-CP
FRONT-P.W.Board		#1	<a href="#">R424</a>	06S15616Y23	RES,RK JUMPER1/16-CP
FRONT-P.W.Board			<a href="#">R428</a>	06S65415Y25	RES,RK 102F 1/16 -CP
FRONT-P.W.Board			<a href="#">R431</a>	06S65415Y25	RES,RK 102F 1/16 -CP

Mark Model Code  
#1 CDE-153BT Only,  
\$1 CDE-153EBT Only,  
%1 CDE-153CBT Only,


Others:Common.

IC501(\*) :51-27561Z01(W25Q32FVSSIG -ST)

Software is not written in to the part indicated with (\*).

NOTE:The part that has not PART NUMBER will not be supplied.

P.W.Board	MIS	MODEL	Ref.	Parts No.	Parts Name
-----------	-----	-------	------	-----------	------------

FRONT-P.W.Board			<a href="#">R432</a>	06S35084Y39	RES,RK 153F 1/8 -CP
FRONT-P.W.Board			<a href="#">R433</a>	06S65415Y25	RES,RK 102F 1/16 -CP
FRONT-P.W.Board			<a href="#">R434</a>	06S35084Y78	RES,RK 132F 1/8 -CP
FRONT-P.W.Board			<a href="#">R435</a>	06S35084Y39	RES,RK 153F 1/8 -CP
FRONT-P.W.Board			<a href="#">R436</a>	06S35084Y44	RES,RK 393F 1/8 -CP
FRONT-P.W.Board			<a href="#">R437</a>	06S35084Y78	RES,RK 132F 1/8 -CP
FRONT-P.W.Board			<a href="#">R438</a>	06S35084Y28	RES,RK 182F 1/8 -CP
FRONT-P.W.Board			<a href="#">R439</a>	06S35084Y31	RES,RK 332F 1/8 -CP
FRONT-P.W.Board			<a href="#">R440</a>	06S35084Y29	RES,RK 222F 1/8 -CP
FRONT-P.W.Board			<a href="#">R441</a>	06S35084Y64	RES,RK 432F 1/8 -CP
FRONT-P.W.Board			<a href="#">R442</a>	06S35084Y68	RES,RK 752F 1/8 -CP
FRONT-P.W.Board			<a href="#">R445</a>	06S35084Y44	RES,RK 393F 1/8 -CP
FRONT-P.W.Board			<a href="#">R446</a>	06S45674W73	RES,RK 472J 1/10 -CP
FRONT-P.W.Board			<a href="#">R448</a>	06S70072F44	RES,CP .431-J-1/4-CP
FRONT-P.W.Board			<a href="#">R449</a>	06S70072F55	RES,CP .122-J-1/4-CP
FRONT-P.W.Board			<a href="#">R450</a>	06S70072F53	RES,CP .102-J-1/4-CP
FRONT-P.W.Board			<a href="#">R451</a>	06S70072F53	RES,CP .102-J-1/4-CP
FRONT-P.W.Board			<a href="#">R452</a>	06S70072F53	RES,CP .102-J-1/4-CP
FRONT-P.W.Board			<a href="#">R453</a>	06S70072F50	RES,CP .751-J-1/4-CP
FRONT-P.W.Board			<a href="#">R455</a>	06S35084Y28	RES,RK 182F 1/8 -CP
FRONT-P.W.Board			<a href="#">R456</a>	06S35084Y31	RES,RK 332F 1/8 -CP
FRONT-P.W.Board			<a href="#">R457</a>	06S35084Y29	RES,RK 222F 1/8 -CP
FRONT-P.W.Board			<a href="#">R458</a>	06S35084Y64	RES,RK 432F 1/8 -CP
FRONT-P.W.Board			<a href="#">R459</a>	06S35084Y68	RES,RK 752F 1/8 -CP
FRONT-P.W.Board			<a href="#">R461</a>	06S70072F29	RES,CP .101-J-1/4-CP
FRONT-P.W.Board			<a href="#">R463</a>	06S70072F62	RES,CP .242-J-1/4-CP
FRONT-P.W.Board			<a href="#">R469</a>	06S70072F53	RES,CP .102-J-1/4-CP
FRONT-P.W.Board			<a href="#">R470</a>	06S45674W58	RES,RK 112J 1/10 -CP
FRONT-P.W.Board			<a href="#">R483</a>	06S70072F44	RES,CP .431-J-1/4-CP
FRONT-P.W.Board			<a href="#">RA401</a>	06S15771Y13	RES,ARYEXB28V101J-CP
FRONT-P.W.Board			<a href="#">SK401</a>	09-19382Z01	SKT,CM-V105 -DB
FRONT-P.W.Board			<a href="#">SW401</a>	40T65353Y01	SW,TACT SKRSPACE010E2
FRONT-P.W.Board			<a href="#">SW402</a>	40T65353Y01	SW,TACT SKRSPACE010E2
FRONT-P.W.Board			<a href="#">SW403</a>	40T65353Y01	SW,TACT SKRSPACE010E2
FRONT-P.W.Board			<a href="#">SW404</a>	40T65353Y01	SW,TACT SKRSPACE010E2
FRONT-P.W.Board			<a href="#">SW405</a>	40T65353Y01	SW,TACT SKRSPACE010E2
FRONT-P.W.Board			<a href="#">SW406</a>	40T65353Y01	SW,TACT SKRSPACE010E2
FRONT-P.W.Board			<a href="#">SW407</a>	40T65353Y01	SW,TACT SKRSPACE010E2
FRONT-P.W.Board			<a href="#">SW408</a>	40T65353Y01	SW,TACT SKRSPACE010E2
FRONT-P.W.Board			<a href="#">SW409</a>	40T65353Y01	SW,TACT SKRSPACE010E2
FRONT-P.W.Board			<a href="#">SW410</a>	40T65353Y01	SW,TACT SKRSPACE010E2

Mark Model Code  
#1 CDE-153BT Only,  
\$1 CDE-153EBT Only,  
%1 CDE-153CBT Only,

Others:Common.

IC501(\*) :51-27561Z01(W25Q32FVSSIG -ST)

Software is not written in to the part indicated with (\*).

NOTE:The part that has not PART NUMBER will not be supplied.

P.W.Board	MIS	MODEL	Ref.	Parts No.	Parts Name
FRONT-P.W.Board			<a href="#">SW411</a>	40T65353Y01	SW,TACT SKRSPACE010E2
FRONT-P.W.Board			<a href="#">SW412</a>	40-10735Z02	ENC,EC12D1524405 -DB
FRONT-P.W.Board			<a href="#">SW413</a>	40T65353Y01	SW,TACT SKRSPACE010E2
FRONT-P.W.Board			<a href="#">SW414</a>	40T65353Y01	SW,TACT SKRSPACE010E2
FRONT-P.W.Board			<a href="#">SW415</a>	40T65353Y01	SW,TACT SKRSPACE010E2
FRONT-P.W.Board			<a href="#">SW416</a>	40T65353Y01	SW,TACT SKRSPACE010E2
FRONT-P.W.Board			<a href="#">SW417</a>	40T65353Y01	SW,TACT SKRSPACE010E2
FRONT-P.W.Board			<a href="#">SW418</a>	40T65353Y01	SW,TACT SKRSPACE010E2
FRONT-P.W.Board			<a href="#">Z401</a>	91-14147Z01	EMI,ACM2012H-900 -CP
FRONT-P.W.Board			<a href="#">ZD401</a>	48-18196Z02	DIO,ZEN DZ2S051M0LCP
FRONT-P.W.Board			<a href="#">ZD402</a>	48-18196Z02	DIO,ZEN DZ2S051M0LCP
IF(DP86Z7BA-V)- P.W.Board			<a href="#">CB101</a>	09T75287Y24	FFC,IMSA9631S-24Y-ED
IF(DP86Z7BA-V)- P.W.Board			<a href="#">PT500</a>	48-19918Z02	PHT,TR TPS1191RB2-CP
IF(DP86Z7BA-V)- P.W.Board			<a href="#">PT502</a>	48-19918Z02	PHT,TR TPS1191RB2-CP
IF(DP86Z7BA-V)- P.W.Board			<a href="#">R500</a>	06S15615Y87	RES,RK 393J 1/16 -CP
IF(DP86Z7BA-V)- P.W.Board			<a href="#">R502</a>	06S15615Y87	RES,RK 393J 1/16 -CP
SENSOR(DP86Z7BA- V)-P.W.Board			<a href="#">LD700</a>	48-01591Z01	LED,AN1105W-1-TR -CP
SENSOR(DP86Z7BA- V)-P.W.Board			<a href="#">LD701</a>	48-01591Z01	LED,AN1105W-1-TR -CP
SENSOR(DP86Z7BA- V)-P.W.Board			<a href="#">R700</a>	06S45674W43	RES,RK 271J 1/10 -CP
SENSOR(DP86Z7BA- V)-P.W.Board			<a href="#">R701</a>	06S45674W43	RES,RK 271J 1/10 -CP
DRIVE(DP86Z7BA-V)- P.W.Board			<a href="#">SW800</a>	40-24933Z01	SW,DETCT SPVT1102-E6
Miscellaneous			<a href="#">HD1</a>	EP-17785Z04	EP21A99NV-M
Miscellaneous			<a href="#">M1</a>	66-26081Z68	ASSY,MTR SPDL V DP-Z
Miscellaneous			<a href="#">M2</a>	66-26081Z69	ASSY,MTR SLED V DP-Z

Mark Model Code  
#1 CDE-153BT Only,  
\$1 CDE-153EBT Only,  
%1 CDE-153CBT Only,

Others:Common.

IC501(\*) :51-27561Z01(W25Q32FVSSIG -ST)

Software is not written in to the part indicated with (\*).

NOTE:The part that has not PART NUMBER will not be supplied.