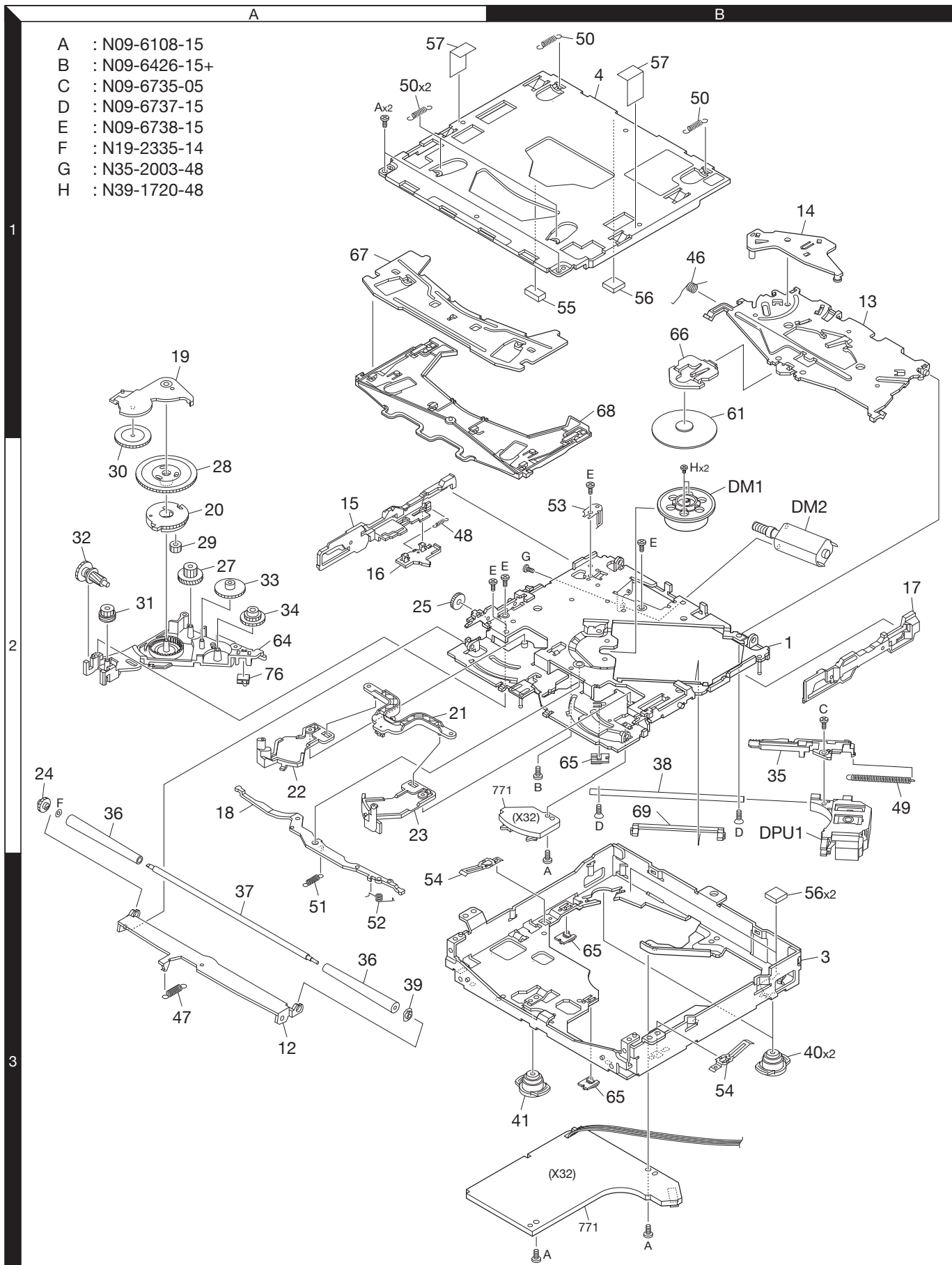


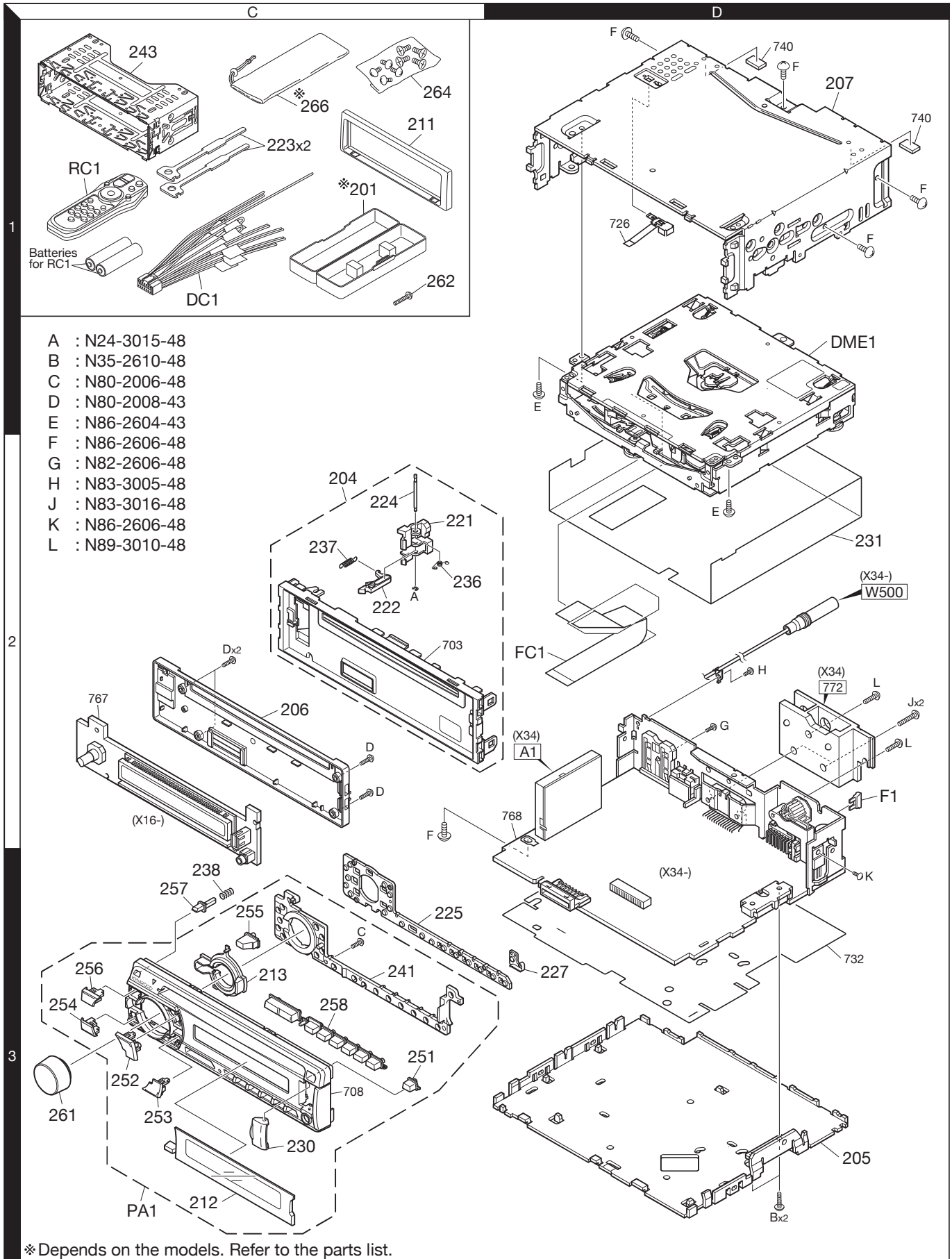
# EXPLODED VIEW (CD MECHANISM)

- A : N09-6108-15
- B : N09-6426-15+
- C : N09-6735-05
- D : N09-6737-15
- E : N09-6738-15
- F : N19-2335-14
- G : N35-2003-48
- H : N39-1720-48



Parts with the exploded numbers larger than 700 are not supplied.

# EXPLODED VIEW (UNIT)



Parts with the exploded numbers larger than 700 are not supplied.

# KDC-MP242U/MP342U/MP443U KDC-MP5043U/MP543U

## PARTS LIST

\* New parts

Parts without **Parts No.** are not supplied.

Les articles non mentionnés dans le **Parts No.** ne sont pas fournis.

Teile ohne **Parts No.** werden nicht geliefert.

Ref. No.	A d d	N e w	Parts No.	Description	Desti- nation
<b>KDC-MP242U/MP342U/MP443U/MP5043U/MP543U</b>					
201	1C	*	A02-2757-13	PLASTIC CABINET ASSY	M1M2M3
204	2C	*	A22-3200-03	SUB PANEL ASSY	
205	3D		A40-1359-01	BOTTOM PLATE	
206	2C	*	A46-1882-01	REAR COVER	
207	1D		A52-1107-01	TOP COVER	
PA1	3C	*	A64-4666-02	PANEL ASSY	K
PA1	3C	*	A64-4667-02	PANEL ASSY	K1
PA1	3C	*	A64-4668-02	PANEL ASSY	M1
PA1	3C	*	A64-4669-02	PANEL ASSY	M2
PA1	3C	*	A64-4688-02	PANEL ASSY	M3
RC1	1C		A70-2069-15	REMOTE CONTROLLER ASSY (RC-517)	K1M3
RC1	1C	*	A70-2087-15	REMOTE CONTROLLER ASSY (RC-557)	KM1M2
-		*	B64-4438-00	INST. MANUAL (ENG.FRE.SPA.)	KK1
-		*	B64-4439-00	INST. MANUAL (ENG.S-CHI.ARA.)	M1M2M3
211	1C		B07-3271-01	ESCUTCHEON (HOT RUNNER)	
212	3C	*	B10-5180-01	FRONT GLASS	K
212	3C	*	B10-5181-01	FRONT GLASS	K1
212	3C	*	B10-5182-01	FRONT GLASS	M1
212	3C	*	B10-5183-01	FRONT GLASS	M2
212	3C	*	B10-5193-01	FRONT GLASS	M3
213	3C		B19-2513-03	LIGHTING BOARD	
221	2C		D10-4446-03	LEVER	
222	2C		D10-4447-03	LEVER	
223	1C		D10-7049-04	LEVER	
224	2C		D21-2329-04	SHAFT	
225	3C	*	E29-2128-02	CONDUCTIVE RUBBER	
227	3D	*	E29-2130-04	CONDUCTIVE RUBBER	
DC1	1C		E30-6798-05	DC CORD	
FC1	2D	*	E39-1060-05	FLAT CABLE	
230	3C	*	F07-2204-03	COVER	
231	2D	*	F11-1870-13	SHIELDING COVER	
F1	2D		F52-0023-05	FUSE (MINI BLADE TYPE) (10A)	
236	2C		G01-2987-04	TORSION COIL SPRING	
237	2C		G01-3096-04	EXTENSION SPRING	
238	3C		G01-3244-04	COMPRESSION SPRING	
-		*	H54-4456-03	ITEM CARTON CASE	K
-		*	H54-4457-03	ITEM CARTON CASE	K1
-		*	H54-4459-03	ITEM CARTON CASE	M1
-		*	H54-4460-03	ITEM CARTON CASE	M2
-		*	H54-4486-03	ITEM CARTON CASE	M3
241	3C	*	J19-7231-01	HOLDER	
243	1C		J22-0789-03	MOUNTING HARDWARE ASSY	
251	3C		K24-4955-04	PUSH KNOB (EJECT)	
252	3C		K24-4956-03	PUSH KNOB (FM)	
253	3C		K24-4957-03	PUSH KNOB (AM)	
254	3C		K24-4958-03	PUSH KNOB (DISP)	
255	3C		K24-4959-04	PUSH KNOB (SEARCH)	
256	3C		K24-4960-03	PUSH KNOB (SRC)	
257	3C		K24-4961-04	PUSH KNOB (RELEASE)	
258	3C		K25-1937-02	PUSH KNOB (PRESET)	
261	3C		K28-0337-04	KNOB ASSY (VOL)	

Ref. No.	A d d	N e w	Parts No.	Description	Desti- nation
262	1C		N84-4016-48	PAN HEAD TAPTITE SCREW	
264	1C		N99-1757-15	SCREW SET	
A	2C		N24-3015-48	E TYPE RETAINING RING	
B	3D		N35-2610-48	BINDING HEAD MACHINE SCREW	
C	3C		N80-2006-48	PAN HEAD TAPTITE SCREW	
D	2C		N80-2008-43	PAN HEAD TAPTITE SCREW	
E	2D		N86-2604-43	BINDING HEAD TAPTITE SCREW	
F	1D		N86-2606-48	BINDING HEAD TAPTITE SCREW	
266	1C		W01-1710-05	CARRYING CASE	KK1
DME1	1D	*	X92-6370-00	MECHANISM ASSY (DXM-9B20W)	
<b>SWITCH UNIT (X16-647x-xx)</b>					
D1 -7			B30-1779-05	LED (1608,SR)	K
D1 -9			B30-1779-05	LED (1608,SR)	K1M3
D1 -9			B30-1781-05	LED (1608,BLUE)	M1M2
D8			B30-1781-05	LED (1608,BLUE)	K
D9			B30-1779-05	LED (1608,SR)	K
D11 -14			B30-1779-05	LED (1608,SR)	K1M3
D11 -14			B30-1781-05	LED (1608,BLUE)	KM1M2
D21			B30-1779-05	LED (1608,SR)	
C11			CK73GB1A105K	CHIP C 1.0UF K	
C12			CK73GB1H104K	CHIP C 0.10UF K	
C21			CK73GB1A105K	CHIP C 1.0UF K	
C51,52			CK73GB1H103K	CHIP C 0.010UF K	
C101,102			CC73GCH1H330J	CHIP C 33PF J	
C103			CK73GB1H472K	CHIP C 4700PF K	
J1		*	E59-0855-05	RECTANGULAR PLUG	
J2			E11-0654-05	3.5D PHONE JACK	
J3			E58-1109-05	RECTANGULAR RECEPTACLE	
CP11			RK74GA1J101J	CHIP-COM 100 J 1/16W	
R11			RK73GB2A473J	CHIP R 47K J 1/10W	
R12			RK73GB2A221J	CHIP R 220 J 1/10W	
R13			RK73GB2A102J	CHIP R 1.0K J 1/10W	
R14			RK73GB2A472J	CHIP R 4.7K J 1/10W	
R15			RK73GB2A4R7J	CHIP R 4.7 J 1/10W	
R21			RK73GB2A104J	CHIP R 100K J 1/10W	
R22			RK73GB2A101J	CHIP R 100 J 1/10W	
R31 -33			RK73FB2B221J	CHIP R 220 J 1/8W	M1M2
R31 -33			RK73FB2B471J	CHIP R 470 J 1/8W	K1M3
R31 ,32			RK73FB2B471J	CHIP R 470 J 1/8W	K
R33			RK73FB2B391J	CHIP R 390 J 1/8W	K
R34 ,35			RK73FB2B561J	CHIP R 560 J 1/8W	KM1M2
R34 ,35			RK73FB2B751J	CHIP R 750 J 1/8W	K1M3
R41			RK73EB2E102J	CHIP R 1.0K J 1/4W	
R61 ,62			RK73EB2E240J	CHIP R 24 J 1/4W	
R101,102			RK73GB2A220J	CHIP R 22 J 1/10W	
S1			T99-0484-05	ROTARY ENCODER	
D101			FTZ6.8E	ZENER DIODE	
D102			DA204U	DIODE	
ED1			3-BT-262N	FLUORESCENT INDICATOR TUBE	
IC1			BU9754KV-E2	MOS-IC	
IC2			PIC95603	ANALOGUE IC	

K: KDC-MP342U K1: KDC-MP242U  
M1: KDC-MP5043U M2: KDC-MP543U M3: KDC-MP443U

△ Indicates safety critical components.

# PARTS LIST

Ref. No.	Add	New	Parts No.	Description	Destination
<b>CD PLAYER UNIT (X32-6250-00) IN CD MECHA</b>					
C1			CK73FB0J106K	CHIP C 10UF K	
C3			CC73GCH1H680J	CHIP C 68PF J	
C4			CK73GB1A105K	CHIP C 1.0UF K	
C6			CK73FB1C105K	CHIP C 1.0UF K	
C8			CK73GB1H222K	CHIP C 2200PF K	
C9 ,10			CK73GB1C104K	CHIP C 0.10UF K	
C11			CK73GB1H153K	CHIP C 0.015UF K	
C12			CK73GB1C104K	CHIP C 0.10UF K	
C13			CK73GB1H332K	CHIP C 3300PF K	
C14			CK73GB1H103K	CHIP C 0.010UF K	
C15			CK73GB1C333K	CHIP C 0.033UF K	
C16			CK73GB1C104K	CHIP C 0.10UF K	
C18			CK73GB1H153K	CHIP C 0.015UF K	
C19			CK73GB1H103K	CHIP C 0.010UF K	
C20			CK73GB1C104K	CHIP C 0.10UF K	
C22			CK73GB1H103K	CHIP C 0.010UF K	
C23			CK73GB1H153K	CHIP C 0.015UF K	
C24			CC73GCH1H470J	CHIP C 47PF J	
C25			CK73GB1C104K	CHIP C 0.10UF K	
C26			CK73GB1A105K	CHIP C 1.0UF K	
C27			CK73GB1C104K	CHIP C 0.10UF K	
C29 ,30			CK73GB1C104K	CHIP C 0.10UF K	
C31			CK73GB1A105K	CHIP C 1.0UF K	
C36			CK73GB1A105K	CHIP C 1.0UF K	
C41 ,42			CK73GB1C104K	CHIP C 0.10UF K	
C43 ,44			CK73GB1H102K	CHIP C 1000PF K	
C45			CK73GB1H103K	CHIP C 0.010UF K	
C46			CK73GB1A105K	CHIP C 1.0UF K	
C47			CC73GCH1H560J	CHIP C 56PF J	
C48			CC73GCH1H101J	CHIP C 100PF J	
C49			CK73GB1A105K	CHIP C 1.0UF K	
C50			CK73FB1A225K	CHIP C 2.2UF K	
C51			CK73FB0J106K	CHIP C 10UF K	
C54			CK73FB0J106K	CHIP C 10UF K	
C57			CK73GB1C104K	CHIP C 0.10UF K	
C59			CK73GB1H472K	CHIP C 4700PF K	
C61			CK73GB1C104K	CHIP C 0.10UF K	
C101			CK73GB1A105K	CHIP C 1.0UF K	
C103			CK73GB1C104K	CHIP C 0.10UF K	
CN1			E41-2954-05	FLAT CABLE CONNECTOR	
CN2			E41-2630-05	FLAT CABLE CONNECTOR	
X1			L78-1221-05	RESONATOR (16.93MHZ)	
CP7			RK74GB1J103J	CHIP-COM 10K J 1/16W	
R1			RK73GB2A560J	CHIP R 56 J 1/10W	
R2			RK73GB2A472J	CHIP R 4.7K J 1/10W	
R3			RK73GB2A4R7J	CHIP R 4.7 J 1/10W	
R4			RK73GB2A104J	CHIP R 100K J 1/10W	
R5			RK73GB2A225J	CHIP R 2.2M J 1/10W	
R6			RK73GB2A102J	CHIP R 1.0K J 1/10W	
R7			RK73GB2A221J	CHIP R 220 J 1/10W	
R8			RK73GB2A622J	CHIP R 6.2K J 1/10W	
R9			RK73GB2A913J	CHIP R 91K J 1/10W	

Ref. No.	Add	New	Parts No.	Description	Destination
R10			RK73GB2A334J	CHIP R 330K J 1/10W	
R11			RK73GB2A153J	CHIP R 15K J 1/10W	
R13			RK73GB2A104J	CHIP R 100K J 1/10W	
R14			RK73GB2A103J	CHIP R 10K J 1/10W	
R15			RK73GB2A101J	CHIP R 100 J 1/10W	
R17 ,18			RK73GB2A103J	CHIP R 10K J 1/10W	
R25			RK73GB2A103J	CHIP R 10K J 1/10W	
R27			RK73EB2E4R7J	CHIP R 4.7 J 1/4W	
R39			RK73GB2A105J	CHIP R 1.0M J 1/10W	
R40			RK73GB2A681J	CHIP R 680 J 1/10W	
R43 ,44			RK73GB2A4R7J	CHIP R 4.7 J 1/10W	
R49			RK73GB2A393J	CHIP R 39K J 1/10W	
R50			RK73GB2A363J	CHIP R 36K J 1/10W	
R51			RK73GB2A102J	CHIP R 1.0K J 1/10W	
R52 -58			RK73GB2A101J	CHIP R 100 J 1/10W	
R59			RK73GB2A204J	CHIP R 200K J 1/10W	
R64			RK73GB2A223J	CHIP R 22K J 1/10W	
R65			RK73GB2A333J	CHIP R 33K J 1/10W	
R69 -73			RK73GB2A101J	CHIP R 100 J 1/10W	
R74 ,75			RK73GB2A103J	CHIP R 10K J 1/10W	
R76			RK73GB2A202J	CHIP R 2.0K J 1/10W	
R102			RK73GB2A102J	CHIP R 1.0K J 1/10W	
S1 ,2			S68-0924-05	PUSH SWITCH	
D2			DAP202U	DIODE	
D3 ,4			DA204U	DIODE	
IC3			BD8222EFV	ANALOGUE IC	
IC4		*	TC94A92FG-301	MOS-IC	
IC5			XC6415S001P1	MOS-IC	
Q1			2SB0970	TRANSISTOR	
Q14		*	RUE003N02	FET	
<b>ELECTRIC UNIT (X34-623x-xx)</b>					
C1			CD04AZ1C332M2	ELECTRO 3300UF 16WV	
C2			CD04AB1C220M	ELECTRO 22UF 16WV	
C3			CK73GB1H104K	CHIP C 0.10UF K	KK1
C3 ,4			CK73GB1H104K	CHIP C 0.10UF K	M1M2M3
C5			CD04AR1C221M	ELECTRO 220UF 16WV	
C7			CD04AV0J101M	ELECTRO 100UF 6.3WV	
C9			CK73GB1C104K	CHIP C 0.10UF K	
C11			CK73FB1A225K	CHIP C 2.2UF K	
C12			CK73GB1C104K	CHIP C 0.10UF K	
C14			CK73GB1C104K	CHIP C 0.10UF K	
C15			CD04AB1C220M	ELECTRO 22UF 16WV	
C17 ,18			CK73GB1C104K	CHIP C 0.10UF K	
C19			CK73GB1E223K	CHIP C 0.022UF K	
C20			CK73GB1H152K	CHIP C 1500PF K	
C52			CD04AV1V100M	ELECTRO 10UF 35WV	
C55			C93-1446-05	CHIP C 10UF K	
C56			CC73GCH1H331J	CHIP C 330PF J	
C57			CK73GB1A474K	CHIP C 0.47UF K	
C58 ,59			CK73FB0J106K	CHIP C 10UF K	
C64			CD04BK1A221M	ELECTRO 220UF 10WV	
C65			CK73GB1H103K	CHIP C 0.010UF K	
C66 ,67			CK73GB1A105K	CHIP C 1.0UF K	

K: KDC-MP342U K1: KDC-MP242U  
M1: KDC-MP5043U M2: KDC-MP543U M3: KDC-MP443U

△ Indicates safety critical components.

# PARTS LIST

## ELECTRIC UNIT (X34-623x-xx)

Ref. No.	A d d	N e w	Parts No.	Description	Desti- nation
C68			CD04AV0J470M	ELECTRO 47UF 6.3WV	
C69			CK73GB1C104K	CHIP C 0.10UF K	
C70			CK73GB1H102K	CHIP C 1000PF K	
C71			C93-1446-05	CHIP C 10UF K	
C101,102			CK73GB1H103K	CHIP C 0.010UF K	
C201			CK73GB1A105K	CHIP C 1.0UF K	
C202			CC73GCH1H180J	CHIP C 18PF J	
C203			CC73GCH1H220J	CHIP C 22PF J	
C204			CK73GB1C104K	CHIP C 0.10UF K	
C205			CK73GB1H102K	CHIP C 1000PF K	
C301,302			CD04AV1HR47M	ELECTRO 0.47UF 50WV	
C306,307			CK73GB1C104K	CHIP C 0.10UF K	
C308			CD04AV0J470M	ELECTRO 47UF 6.3WV	
C309			CK73GB1H103K	CHIP C 0.010UF K	
C310,311			CK73GB1H102K	CHIP C 1000PF K	
C315,316			CC73GCH1H100D	CHIP C 10PF D	
C401			CD04AV1C470M	ELECTRO 47UF 16WV	
C403			CD04AV1H010M	ELECTRO 1UF 50WV	
C404-407			CK73GB1A105K	CHIP C 1.0UF K	
C502			CK73GB1C104K	CHIP C 0.10UF K	
C504			CK73GB1C104K	CHIP C 0.10UF K	
C509,510			CK73GB1C104K	CHIP C 0.10UF K	
C601,602			CK73GB1C104K	CHIP C 0.10UF K	KM1M2
C603			CD04AV0J470M	ELECTRO 47UF 6.3WV	KM1M2
C701,702			CD04AV1V100M	ELECTRO 10UF 35WV	
C705,706			CD04AV1V100M	ELECTRO 10UF 35WV	KM1M2
C801-804			CK73GB1A224K	CHIP C 0.22UF K	
C805			CD04AV1C330M	ELECTRO 33UF 16WV	
C806,807			CK73GB1A105K	CHIP C 1.0UF K	
C809			CK73GB1A105K	CHIP C 1.0UF K	
C901			CK73GB1H103K	CHIP C 0.010UF K	
C902			CC73GCH1H180J	CHIP C 18PF J	
C903			CC73GCH1H220J	CHIP C 22PF J	
C904-906			CK73GB1H103K	CHIP C 0.010UF K	
C908,909			CK73GB1H103K	CHIP C 0.010UF K	
C911,912			CC73GCH1H150J	CHIP C 15PF J	
C914			CK73GB1H103K	CHIP C 0.010UF K	
C915			CK73GB1A105K	CHIP C 1.0UF K	
C916,917			CK73FB0J106K	CHIP C 10UF K	
C918			CK73GB1A105K	CHIP C 1.0UF K	
C921			CC73GCH1H221J	CHIP C 220PF J	
C922			CK73FB0J106K	CHIP C 10UF K	
C952			CK73GB1C104K	CHIP C 0.10UF K	KM1
CN2		*	E41-1828-05	FLAT CABLE CONNECTOR	
J1			E58-0991-05	RECTANGULAR RECEPTACLE	
J3			E58-1095-05	RECTANGULAR RECEPTACLE	
J4			E56-0855-05	CYLINDRICAL RECEPTACLE	KM1M2
J5			E63-0896-05	PIN JACK	KM1M2
J5			E63-0937-05	PIN JACK	K1M3
W500	2D		E30-6803-05	CORD WITH PLUG	
L1			L33-2459-05	CHOKE COIL ASSY	
L51 ,52			L33-2462-05	SMALL FIXED INDUCTOR	
L401			L40-4791-58	SMALL FIXED INDUCTOR	
X1			L78-0879-05	RESONATOR (10.0MHZ)	

Ref. No.	A d d	N e w	Parts No.	Description	Desti- nation
X2			L77-2920-05	CRYSTAL RESONATOR	
X900			L77-2921-15	CRYSTAL RESONATOR (32.768KHZ)	
X901			L77-2964-05	CRYSTAL RESONATOR (9.00MHZ)	
G	2D		N82-2606-48	BINDING HEAD TAPTITE SCREW	
H	2D		N83-3005-48	PAN HEAD TAPTITE SCREW	
J	2D		N83-3016-48	PAN HEAD TAPTITE SCREW	
K	3D		N86-2606-48	BINDING HEAD TAPTITE SCREW	
L	2D		N89-3010-48	BINDING HEAD TAPTITE SCREW	
R1			RD14BB2C102J	RD 1.0K J 1/6W	
R2 -5			RK73GB2A103J	CHIP R 10K J 1/10W	
R15			RD14DB2H7R5J	SMALL-RD 7.5 J 1/2W	
R16			RK73FB2B681J	CHIP R 680 J 1/8W	
R17			RK73GB2A272J	CHIP R 2.7K J 1/10W	
R18			RK73GB2A473J	CHIP R 47K J 1/10W	
R51			RK73FB2B681J	CHIP R 680 J 1/8W	
R52			RK73GB2A104J	CHIP R 100K J 1/10W	
R53			RK73GH2A333D	CHIP R 33K D 1/10W	
R54			RK73GH2A104D	CHIP R 100K D 1/10W	
R55			RK73GB2A203J	CHIP R 20K J 1/10W	
R56			RK73GH2A333D	CHIP R 33K D 1/10W	
R57			RK73GH2A563D	CHIP R 56K D 1/10W	
R58			RK73GB2A473J	CHIP R 47K J 1/10W	
R59			RK73GB2A203J	CHIP R 20K J 1/10W	
R62			RK73GB2A223J	CHIP R 22K J 1/10W	
R64			RK73GB2A100J	CHIP R 10 J 1/10W	
R101			RD14BB2C472J	RD 4.7K J 1/6W	KK1
R101,102			RD14BB2C472J	RD 4.7K J 1/6W	M1M2M3
R106			RD14BB2C332J	RD 3.3K J 1/6W	
R107			RD14BB2C333J	RD 33K J 1/6W	
R108			RK73GB2A103J	CHIP R 10K J 1/10W	
R109			RK73GB2A223J	CHIP R 22K J 1/10W	
R110			RK73FB2B683J	CHIP R 68K J 1/8W	
R111			RK73GB2A473J	CHIP R 47K J 1/10W	
R112			RD14BB2C203J	RD 20K J 1/6W	
R113			RK73GB2A104J	CHIP R 100K J 1/10W	
R114,115			RK73GB2A103J	CHIP R 10K J 1/10W	
R116,117			RK73GB2A682J	CHIP R 6.8K J 1/10W	
R118			RD14BB2C103J	RD 10K J 1/6W	
R119			RK73GB2A473J	CHIP R 47K J 1/10W	
R120			RK73GB2A104J	CHIP R 100K J 1/10W	
R151			RK73GB2A000J	CHIP R 0.0 J 1/10W	M1M2M3
R203,204			RK73GB2A103J	CHIP R 10K J 1/10W	
R205-207			RK73GB2A473J	CHIP R 47K J 1/10W	
R208			RD14BB2C473J	RD 47K J 1/6W	
R209,210			RK73GB2A471J	CHIP R 470 J 1/10W	
R218			RK73GB2A223J	CHIP R 22K J 1/10W	
R223			RK73GB2A222J	CHIP R 2.2K J 1/10W	
R225			RK73GB2A473J	CHIP R 47K J 1/10W	K1M2
R225-227			RK73GB2A473J	CHIP R 47K J 1/10W	M3
R226			RK73GB2A223J	CHIP R 22K J 1/10W	K1M2
R226			RK73GB2A473J	CHIP R 47K J 1/10W	K
R226,227			RK73GB2A473J	CHIP R 47K J 1/10W	M1
R227			RK73GB2A473J	CHIP R 47K J 1/10W	M2
R228			RK73GB2A223J	CHIP R 22K J 1/10W	M1M2M3

K: KDC-MP342U K1: KDC-MP242U  
M1: KDC-MP5043U M2: KDC-MP543U M3: KDC-MP443U

△ Indicates safety critical components.

# PARTS LIST

## ELECTRIC UNIT (X34-623x-xx)

Ref. No.	Add	New	Parts No.	Description	Destination	Ref. No.	Add	New	Parts No.	Description	Destination
R228			RK73GB2A473J	CHIP R 47K J 1/10W	KK1	R709,710			RD14BB2C223J	RD 22K J 1/6W	KM1M2
R251,252			RK73GB2A101J	CHIP R 100 J 1/10W		R711,712			RD14BB2C181J	RD 180 J 1/6W	
R253,254			RK73GB2A223J	CHIP R 22K J 1/10W		R802			RK73GB2A333J	CHIP R 33K J 1/10W	
R255-257			RK73GB2A101J	CHIP R 100 J 1/10W		R803			RK73GB2A473J	CHIP R 47K J 1/10W	
R258			RK73GB2A223J	CHIP R 22K J 1/10W		R804			RK73GB2A331J	CHIP R 330 J 1/10W	
R259			RK73GB2A101J	CHIP R 100 J 1/10W		R805			RK73GB2A223J	CHIP R 22K J 1/10W	
R260			RK73GB2A223J	CHIP R 22K J 1/10W		R806			RK73GB2A562J	CHIP R 5.6K J 1/10W	
R261-267			RK73GB2A101J	CHIP R 100 J 1/10W		R808			RK73GB2A100J	CHIP R 10 J 1/10W	
R268-271			RK73GB2A473J	CHIP R 47K J 1/10W		R809			RD14BB2C102J	RD 1.0K J 1/6W	
R301			RK73GB2A222J	CHIP R 2.2K J 1/10W		R810			RK73GB2A102J	CHIP R 1.0K J 1/10W	
R302			RD14BB2C101J	RD 100 J 1/6W		R811			RK73GB2A473J	CHIP R 47K J 1/10W	
R306,307			RK73GB2A222J	CHIP R 2.2K J 1/10W		R812			RK73EB2E000J	CHIP R 0.0 J 1/4W	
R317			RK73GB2A222J	CHIP R 2.2K J 1/10W		R900			RK73GB2A102J	CHIP R 1.0K J 1/10W	
R318			RK73GB2A472J	CHIP R 4.7K J 1/10W		R904			RK73GB2A223J	CHIP R 22K J 1/10W	
R319			RK73GB2A222J	CHIP R 2.2K J 1/10W		R905			RK73GB2A101J	CHIP R 100 J 1/10W	
R320			RK73GB2A472J	CHIP R 4.7K J 1/10W		R906			RK73GB2A223J	CHIP R 22K J 1/10W	
R330			RD14BB2C101J	RD 100 J 1/6W		R907			RK73GB2A104J	CHIP R 100K J 1/10W	
R331			RK73GB2A392J	CHIP R 3.9K J 1/10W		R908			RK73GB2A101J	CHIP R 100 J 1/10W	
R332			RD14BB2C101J	RD 100 J 1/6W		R909,910			RK73GB2A102J	CHIP R 1.0K J 1/10W	
R333,334			RD14BB2C102J	RD 1.0K J 1/6W		R911			RK73GB2A223J	CHIP R 22K J 1/10W	
R335			RK73GB2A473J	CHIP R 47K J 1/10W		R913			RK73GB2A101J	CHIP R 100 J 1/10W	
R336-339			RK73GB2A222J	CHIP R 2.2K J 1/10W		R914			RK73GB2A223J	CHIP R 22K J 1/10W	
R340			RK73GB2A225J	CHIP R 2.2M J 1/10W		R915			RK73GB2A102J	CHIP R 1.0K J 1/10W	
R341			RK73GB2A222J	CHIP R 2.2K J 1/10W		R916			RK73GB2A101J	CHIP R 100 J 1/10W	
R342			RK73GB2A392J	CHIP R 3.9K J 1/10W		R917,918			RK73GB2A102J	CHIP R 1.0K J 1/10W	
R343			RD14BB2C102J	RD 1.0K J 1/6W		R919			RK73GB2A101J	CHIP R 100 J 1/10W	
R344,345			RD14BB2C4R7J	RD 4.7 J 1/6W		R920			RK73GB2A223J	CHIP R 22K J 1/10W	
R346			RD14BB2C2R2J	RD 2.2 J 1/6W		R921			RK73GB2A101J	CHIP R 100 J 1/10W	KM1M2M3
R347			RK73GB2A102J	CHIP R 1.0K J 1/10W		R921,922			RK73GB2A101J	CHIP R 100 J 1/10W	
R348,349			RK73GB2A103J	CHIP R 10K J 1/10W		R923			RK73GB2A223J	CHIP R 22K J 1/10W	KM1
R352,353			RD14BB2C100J	RD 10 J 1/6W		R924			RK73GB2A101J	CHIP R 100 J 1/10W	
R401			RK73GB2A103J	CHIP R 10K J 1/10W		R926			RK73GB2A000J	CHIP R 0.0 J 1/10W	
R402,403			RK73GB2A471J	CHIP R 470 J 1/10W		R927			RK73GB2A105J	CHIP R 1.0M J 1/10W	
R501			RK73GB2A471J	CHIP R 470 J 1/10W		R928			RK73GB2A223J	CHIP R 22K J 1/10W	
R502			RK73GB2A472J	CHIP R 4.7K J 1/10W		R929			RK73GB2A100J	CHIP R 10 J 1/10W	
R503			RK73GB2A471J	CHIP R 470 J 1/10W		R930			RK73GB2A153J	CHIP R 15K J 1/10W	
R504			RK73GB2A472J	CHIP R 4.7K J 1/10W		R931			RK73GB2A100J	CHIP R 10 J 1/10W	
R556			RK73EB2E000J	CHIP R 0.0 J 1/4W		R932			RK73GB2A153J	CHIP R 15K J 1/10W	
R601,602			RD14BB2C100J	RD 10 J 1/6W	KM1M2	R934-937			RK73GB2A101J	CHIP R 100 J 1/10W	
R603			RD14BB2C4R7J	RD 4.7 J 1/6W		KM1M2	R938			RK73GB2A223J	CHIP R 22K J 1/10W
R604			RK73GB2A102J	CHIP R 1.0K J 1/10W	KM1M2	R939,940			RK73GB2A101J	CHIP R 100 J 1/10W	
R605			RD14BB2C101J	RD 100 J 1/6W	KM1M2	R941			RK73GB2A332J	CHIP R 3.3K J 1/10W	
R606,607			RD14BB2C102J	RD 1.0K J 1/6W	KM1M2	R942			RK73GB2A101J	CHIP R 100 J 1/10W	
R608,609			RD14BB2C101J	RD 100 J 1/6W	KM1M2	R943			RK73GB2A332J	CHIP R 3.3K J 1/10W	
R610			RD14BB2C472J	RD 4.7K J 1/6W	KM1M2	R944-946			RK73GB2A101J	CHIP R 100 J 1/10W	
R611			RD14BB2C101J	RD 100 J 1/6W	KM1M2	R947			RK73GB2A223J	CHIP R 22K J 1/10W	
R612			RD14BB2C472J	RD 4.7K J 1/6W	KM1M2	R952			RK73GB2A101J	CHIP R 100 J 1/10W	KM1
R613,614			RK73GB2A100J	CHIP R 10 J 1/10W	KM1M2	R954			RK73GB2A223J	CHIP R 22K J 1/10W	
R615			RK73GB2A4R7J	CHIP R 4.7 J 1/10W	KM1M2	R956			RK73GB2A101J	CHIP R 100 J 1/10W	KM1
R616			RK73GB2A473J	CHIP R 47K J 1/10W	KM1M2	R967			RK73GB2A223J	CHIP R 22K J 1/10W	
R617-620			RK73GB2A104J	CHIP R 100K J 1/10W	KM1M2	R968			RK73GB2A333J	CHIP R 33K J 1/10W	KM1
R701,702			RK73GB2A331J	CHIP R 330 J 1/10W		R969			RK73FB2B2R2J	CHIP R 2.2 J 1/8W	
R703,704			RD14BB2C223J	RD 22K J 1/6W		R970			RK73GB2A000J	CHIP R 0.0 J 1/10W	
R705,706			RD14BB2C181J	RD 180 J 1/6W		R972			RK73GB2A102J	CHIP R 1.0K J 1/10W	
R707,708			RK73GB2A331J	CHIP R 330 J 1/10W	KM1M2						

K: KDC-MP342U K1: KDC-MP242U  
M1: KDC-MP5043U M2: KDC-MP543U M3: KDC-MP443U

△ Indicates safety critical components.

# PARTS LIST

## ELECTRIC UNIT (X34-623x-xx)

Ref. No.	A d	N e w	Parts No.	Description	Desti- nation	
D1			S2V60-5009F46	DIODE	M1M2M3	
D2			HZS9-E (A1)	ZENER DIODE		
D3			D1F60-5063	DIODE		
D4 ,5			1SS133	DIODE		
D7			HZS11-E (C3)	ZENER DIODE		
D51			EC31QS04AG	DIODE		M1M2M3 KK1
D52			UDZW20 (B)	ZENER DIODE		
D101-104			D1F60-5063	DIODE		
D101,102			D1F60-5063	DIODE		
D106-108			MTZJ6.8 (B)	ZENER DIODE		
D109			HZS5-E (B1)	ZENER DIODE	KM1M2	
D110			KDS121-P	DIODE		
D304-306			HZS7-E (A3)	ZENER DIODE		
D311,312			AVRL1613R3FTA	VARISTOR		
D313			STZ6.8N	ZENER DIODE		
D401			1SS133	DIODE		* KM1M2
D601-606			HZS7-E (A3)	ZENER DIODE		
D801,802			1SS133	DIODE		
IC1			30622MGPB72FP	MICROCONTROLLER IC		
IC2			E-TDA7719	ANALOGUE IC		
IC4			BD4914-V4	ANALOGUE IC	KM1	
IC6			E-TDA7851A	ANALOGUE IC		
IC8			S-80836CNNB-J	MOS-IC		
IC51			LT3684EMSE	ANALOGUE IC		
IC52			BD6538G	MOS-IC		
IC53			R1114N331B-TR	ANALOGUE IC		* KM1
IC251			74AHCT08PW	MOS-IC		
IC252			74LVC08APW	MOS-IC		
IC900			92CD28AFG7BV2	MICROCONTROLLER IC		
IC950			MF1341S2159	MICROPROCESSOR IC		
Q2			2SB1565	TRANSISTOR	M1M2M3 M1M2M3	
Q3			2SC4081	TRANSISTOR		
Q7			KRC403-P	DIGITAL TRANSISTOR		
Q8			2SB1565	TRANSISTOR		
Q9			2SC4081	TRANSISTOR		
Q10			KRA303-P	DIGITAL TRANSISTOR		M1M2M3 M1M2M3
Q11			KRC403-P	DIGITAL TRANSISTOR		
Q12			KRA303-P	DIGITAL TRANSISTOR		
Q13			KRC403-P	DIGITAL TRANSISTOR		
Q14			KRA303-P	DIGITAL TRANSISTOR		
Q51			2SC4081	TRANSISTOR	KM1M2 K1M3	
Q52			2SB1443	TRANSISTOR		
Q53			KRC404-P	DIGITAL TRANSISTOR		
Q101-103			2SC4081	TRANSISTOR		
Q104,105			KRC404-P	DIGITAL TRANSISTOR		
Q301			KRA307-P	DIGITAL TRANSISTOR		KM1M2 K1M3
Q701-704			KRC410-P	DIGITAL TRANSISTOR		
Q701,702			KRC410-P	DIGITAL TRANSISTOR		
Q705			KRA303-P	DIGITAL TRANSISTOR		
Q902			KRC407-P	DIGITAL TRANSISTOR		
Q903			2SB1689	TRANSISTOR	KM1M2 K1M3	
Q905			KRC407-P	DIGITAL TRANSISTOR		
TH1			PRF18BE471QS2	POSITIVE RESISTOR		
A1	2D		X86-4230-11	FRONT-END UNIT		

Ref. No.	A d	N e w	Parts No.	Description	Desti- nation
<b>MECHANISM ASSY (X92-6370-00) DXM-9B20W</b>					
1	2B		A10-5450-43	CHASSIS ASSY	
3	3B		A10-5452-41	CHASSIS	
4	1B		A10-5453-32	CHASSIS	
12	3A		D10-4993-52	LEVER	
13	1B	*	D10-4991-12	ARM	
14	1B		D10-4992-03	ARM	
15	2A		D10-4994-02	SLIDER	
16	2A		D10-4995-03	SLIDER	
17	2B		D10-4996-02	SLIDER	
18	2A		D10-4997-03	LEVER	
19	1A		D10-4998-03	ARM	
20	2A		D10-4999-03	ARM	
21	2A		D10-7001-03	ARM	
22	2A		D10-7002-03	ARM	
23	2A		D10-7003-03	ARM	
24	2A		D13-2445-04	GEAR	
25	2A		D13-2446-04	GEAR	
27	2A		D13-2448-04	GEAR	
28	2A		D13-2449-04	GEAR	
29	2A		D13-2450-04	GEAR	
30	2A		D13-2451-04	GEAR	
31	2A		D13-2452-04	GEAR	
32	2A		D13-2453-04	GEAR	
33	2A		D13-2454-04	GEAR	
34	2A		D13-2455-04	GEAR	
35	2B		D13-2456-03	RACK (GEAR)	
36	2A		D14-1028-04	ROLLER	
37	3A		D21-2507-04	SHAFT	
38	2B		D21-2508-04	SHAFT	
39	3A		D23-0963-04	RETAINER	
40	3B		D39-0277-15	DAMPER	
41	3B		D39-0278-15	DAMPER	
46	1B		G01-4682-24	TORSION COIL SPRING	
47	3A		G01-4683-14	EXTENSION SPRING	
48	2A		G01-4684-04	EXTENSION SPRING	
49	2B		G01-4685-04	EXTENSION SPRING	
50	1B		G01-4686-14	EXTENSION SPRING	
51	3A		G01-4688-14	EXTENSION SPRING	
52	3A		G01-4692-24	TORSION COIL SPRING	
53	2B		G02-1587-04	FLAT SPRING	
54	3A		G02-1588-04	FLAT SPRING	
55	1B		G13-1297-04	CUSHION	
56	1B		G13-1299-14	CUSHION	
57	1A		G16-1715-04	SHEET	
61	1B		J11-0675-03	CLAMPER	
64	2A		J19-7210-21	HOLDER	
65	2B		J19-7225-04	HOLDER	
66	1B		J22-0706-03	MOUNTING HARDWARE	
67	1A		J22-0707-12	MOUNTING HARDWARE	
68	1B		J90-1170-21+	GUIDE	
69	2B		J90-1168-03	RAIL	

K: KDC-MP342U K1: KDC-MP242U  
M1: KDC-MP5043U M2: KDC-MP543U M3: KDC-MP443U

△Indicates safety critical components.

# PARTS LIST

## MECHANISM ASSY (X92-6370-00) DXM-9B20W

Ref. No.	A d d	N e w	Parts No.	Description	Desti- nation	Ref. No.	A d d	N e w	Parts No.	Description	Desti- nation
A	1A		N09-6108-15	TAPTITE SCREW (M2X3.5)							
B	2B		N09-6426-15+	MACHINE SCREW							
C	2B		N09-6735-05	TAPTITE SCREW							
D	2B		N09-6737-15	MACHINE SCREW							
E	2B		N09-6738-15	TAPTITE SCREW							
F	2A		N19-2335-14	FLAT WASHER							
G	2B		N35-2003-48	BINDING HEAD MACHINE SCREW							
H	2B		N39-1720-48	PAN HEAD MACHINE SCREW							
76	2A		S68-0921-05	PUSH SWITCH							
DM1	2B		X94-2090-00	SPINDLE MOTOR ASSY							
DM2	2B		X94-2100-00	FEED MOTOR ASSY (LOAD/SLED)							
DPU1	2B		X93-2260-01	OPTICAL PICKUP ASSY							

**K:** KDC-MP342U   **K1:** KDC-MP242U  
**M1:** KDC-MP5043U   **M2:** KDC-MP543U   **M3:** KDC-MP443U

△ Indicates safety critical components.