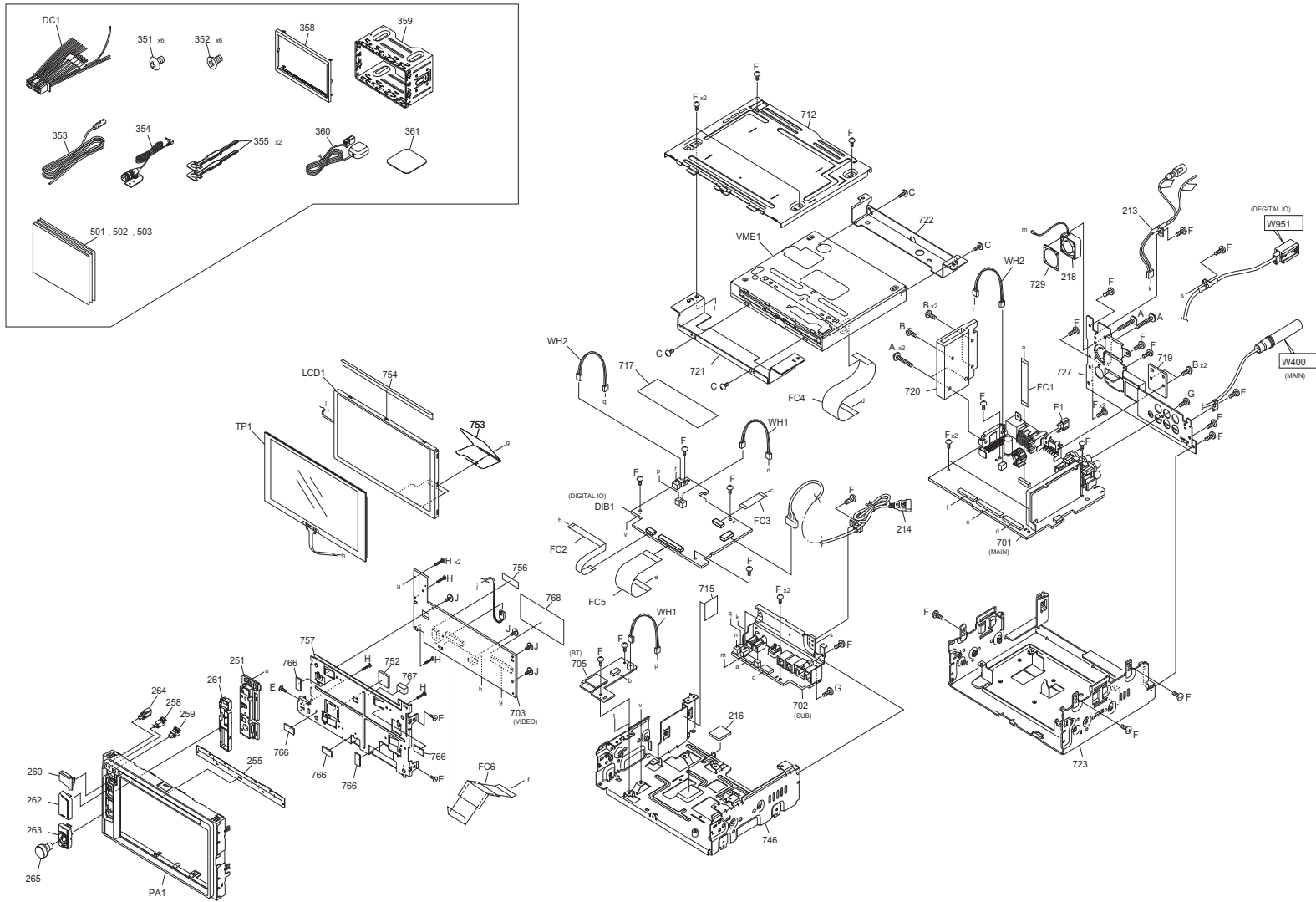


EXPLODED VIEW (UNIT)

Block No.M1MM



Parts with the exploded numbers larger than 700 are not supplied.

MODEL	MARK	MODEL	MARK
DDX6702S	K1	DDX6902S	K0

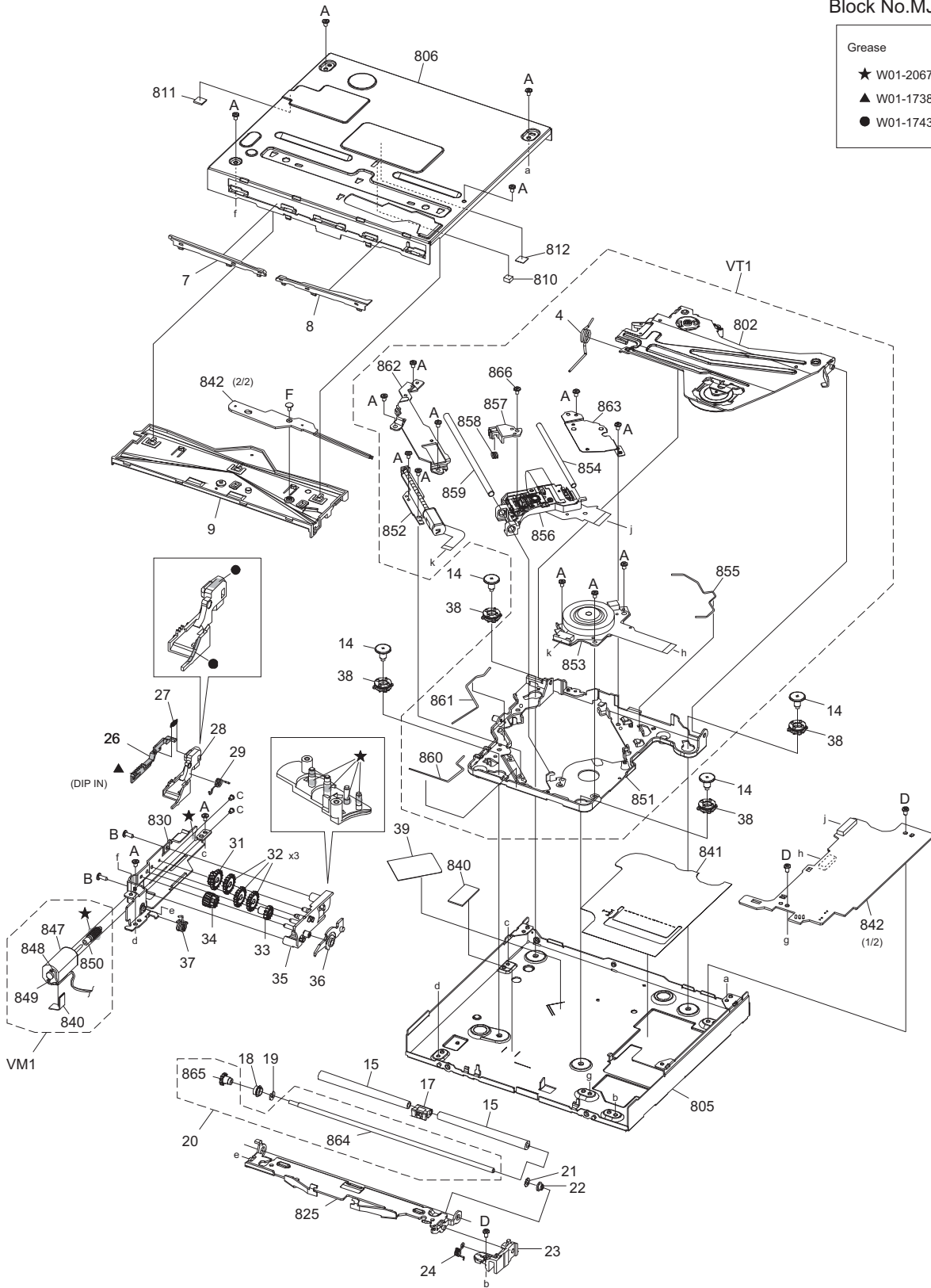
Safe	Symbol No.	Parts No.	Parts Name	Description	QTY	Local
EXPLODED VIEW (UNIT) <M1MM>						
	DC1	QAM1572-001	DC CORD		1	
	DIB1	CB-15DDXH14D	DIGITAL IO PWB ASSY	XJA-028K-02	1	K1
	DIB1	CB-15DDXH13D	DIGITAL IO PWB ASSY	XJA-028K-01	1	K0
△	F1	FZB10AU-100	BLADE FUSE	10A	1	
	FC1	QUQY05-2005AC-E	FFC WIRE	20pin 5cm	1	
	FC2	E3F-0078-00	FLAT CABLE		1	
	FC3	QUQY05-2004AC-E	FFC WIRE	20pin 4cm	1	
	FC4	QUQY05-4013BC-E	FFC WIRE	40pin 13cm	1	
	FC5	QUQY05-60X7BC-E	FFC WIRE	60pin 7.5cm	1	
	FC6	WJT0315-001A-E	E-CARD WIRE		1	
	LCD1	B3H-0014-10	LCD		1	
	PA1	A6C-0011-0E	PANEL		1	K1
	PA1	A6C-0011-0D	PANEL		1	K0
	TP1	W0C-0063-10	TOUCH PANEL		1	
	VME1	FD2-2C10NXN	DVD MECHA MODULE		1	
	WH1	WJJ1248-001A-E	E-SI C WIRE C-C		2	
	WH2	WJJ1273-001A-E	E-SI C WIRE C-C		2	
	A	QYSDST2616ZA	TAP SCREW	M2.6 x 16mm	4	
	B	QYSDST2610ZA	TAP SCREW	M2.6 x 10mm	5	
	C	LV45552-003A	SPECIAL SCREW		4	
	E	QYSDST2004ZA	TAP SCREW	M2 x 4mm	3	
	F	LV44800-005A	SPECIAL SCREW		32	
	G	QYSDSF3010ZA	TAP SCREW	M3 x 10mm	2	
	H	VKZ4777-015	MINI SCREW		6	
	J	LV44615-003A	SPECIAL SCREW		4	
	213	QAM1565-001	CAR CABLE		1	
	214	E3A-0173-00	USB CORD		1	
	216	F0C-0007-01	COOL SHEET		1	
△	218	QAR0560-001	COOLING FAN		1	
	251	B1K-0027-10	LIGHTING B ASSY		1	
	255	F1K-0005-00	BLIND PLATE		1	
	258	K2A-0001-00	KNOB	RESET/INDICATOR	1	
	259	K2A-0002-00	KNOB	EJECT	1	
	260	K2A-0003-10	KNOB	MENU	1	
	261	K2K-0112-11	KNOB BASE		1	
	262	K2K-0140-0A	KNOB ASSY	AV/TEL	1	
	263	A2B-0008-10	DRESSING PANEL		1	
	264	W1A-0003-00	LENS		1	
	265	K2K-0120-10	KNOB ASSY	VOLUME/ATT/AUDIO	1	
	351	N34-5006-48	TR.HEAD M.SCREW		6	
	352	N32-5007-48	MACHINE SCREW		6	
	353	QAM1355-002	CAR CABLE		1	
	354	QAN0137-001	MICROPHONE		1	
	355	D1A-0007-00	LEVER		2	
	358	B9H-0001-00	ESCUTCHEON		1	
	359	J2C-0006-00	MOUNTING ASSY		1	
	360	QAL1550-001	ANTENNA		1	
	361	LV45939-001A	GPS BRACKET		1	
	501	B5A-0987-00	INST.MANUAL	ENG	1	
	502	B5A-0987-01	INST.MANUAL	FRE	1	
	503	B5A-0987-02	INST.MANUAL	SPA	1	
	701	-----	MAIN PWB ASSY	NO SERVICE PART	1	K1
	701	-----	MAIN PWB ASSY	NO SERVICE PART	1	K0
	702	-----	SUB PWB ASSY	NO SERVICE PART	1	
	703	-----	VIDEO PWB ASSY	NO SERVICE PART	1	
	705	-----	BT PWB ASSY	NO SERVICE PART	1	
	712	-----	TOP PLATE	NO SERVICE PART	1	
	715	-----	SPACER(H)	NO SERVICE PART	1	
	717	-----	INS.SHEET	NO SERVICE PART	1	
	719	-----	HEAT SINK (REG)	NO SERVICE PART	1	
	720	-----	HEAT SINK (POW)	NO SERVICE PART	1	
	721	-----	BRACKET	NO SERVICE PART	1	
	722	-----	BRACKET	NO SERVICE PART	1	
	723	-----	B.CHASSIS ASSY	NO SERVICE PART	1	
	727	-----	REAR BKT(LOWER)	NO SERVICE PART	1	
	729	-----	FAN BRACKET	NO SERVICE PART	1	
	746	-----	CHASSIS ASSY	NO SERVICE PART	1	
	752	-----	COOL SHEET	NO SERVICE PART	1	
	753	-----	SHEET	NO SERVICE PART	1	
	754	-----	SHEET	NO SERVICE PART	1	
	756	-----	SPACER(H)	NO SERVICE PART	1	
	757	-----	BRACKET ASSY	NO SERVICE PART	1	
	766	-----	CONDUCT CUSHION	NO SERVICE PART	5	
	767	-----	CONDUCT CUSHION	NO SERVICE PART	1	
	768	-----	INS.SHEET	NO SERVICE PART	1	

EXPLODED VIEW (DVD MECHANISM: FD2-2C10NXN)

Block No.MJMM

Grease

- ★ W01-2067-08
- ▲ W01-1738-08
- W01-1743-08



Parts with the exploded numbers larger than 800 are not supplied.

MODEL	MARK	MODEL	MARK
DDX6702S	K1	DDX6902S	K0

Safe	Symbol No.	Parts No.	Parts Name	Description	QTY	Local
EXPLODED VIEW (DVD MECHANISM: FD2-2C10NXN) <MJMM>						
	VM1	CM-FD2-ALM	LOADING M ASSY		1	
	VT1	CM-FD2-ATM2	TM ASSY		1	
	A	LV44959-002A	SPECIAL SCREW		16	
	B	LV45727-001A	GEAR SCREW		2	
	C	QYSPSPU1425MA	SCREW	M1.4 x 2.5mm	2	
	D	VKZ4539-054	MINI SCREW		3	
	F	LV44586-001A	SPECIAL SCREW		1	
	4	LV45709-002A	CLAMP SPRING		1	
	7	LV23006-002A	GUIDE 2 L		1	
	8	LV23007-002A	GUIDE 2 R		1	
	9	LV11842-004A	DISC GUIDE		1	
	14	LV45704-001A	DAMPER SHAFT		4	
	15	LV45724-001A	RUBBER ROLLER		2	
	17	LV37652-002A	SHAFT GUIDE		1	
	18	LV39938-001A	GEAR RETAINER		1	
	19	LV45730-001A	ROLLER C WASHER		1	
	20	CM-FD2-AROS	RO SHAFT ASSY		1	
	21	LV45731-001A	ROLLER WASHER		1	
	22	LV45718-001A	ROLLER RETAINER		1	
	23	LV23003-002A	ROLLER HOLDER		1	
	24	LV45982-001A	ROLLER SPG R2		1	
	26	LV39932-002A	TRIGGER SLIDER		1	
	27	LV45715-001A	TRIGGER SPRING		1	
	28	LV23004-004A	SLIDER		1	
	29	LV39935-003A	SLIDER SPRING		1	
	31	LV39929-001A	DRIVE GEAR 4		1	
	32	LV39928-001A	DRIVE GEAR 3		3	
	33	LV39927-001A	DRIVE GEAR 2		1	
	34	LV39926-001A	DRIVE GEAR 1		1	
	35	LV23005-001A	GEAR HOLDER		1	
	36	LV39923-002A	UD LEVER		1	
	37	LV45983-001A	ROLLER SPG L2		1	
	38	LV39934-001A	DAMPER		4	
	39	LV45719-001A	PU FPC SHEET		1	
	802	-----	CLAMP ARM ASSY	NO SERVICE PART	1	
	805	-----	BOTTOM CHASSIS	NO SERVICE PART	1	
	806	-----	TOP CHASSIS	NO SERVICE PART	1	
	810	-----	CLAMPER CUSHION	NO SERVICE PART	1	
	811	-----	CL A CUSHION B	NO SERVICE PART	1	
	812	-----	CL A CUSHION A	NO SERVICE PART	1	
	825	-----	ROLLER ARM	NO SERVICE PART	1	
	830	-----	GEAR BKT	NO SERVICE PART	1	
	840	-----	SPACER(H)	NO SERVICE PART	2	
	841	-----	BOTTOM SHEET	NO SERVICE PART	1	
	842	-----	FE BOARD ASSY	NO SERVICE PART	1	
	847	-----	LOADING MOTOR	NO SERVICE PART	1	
	848	-----	SIN TWIST WIRE	NO SERVICE PART	1	
	849	-----	SIN TWIST WIRE	NO SERVICE PART	1	
	850	-----	WORM GEAR	NO SERVICE PART	1	
	851	-----	TM CHASSIS ASSY	NO SERVICE PART	1	
	852	-----	FEED MOTOR	NO SERVICE PART	1	
	853	-----	SPINDLE MOTOR	NO SERVICE PART	1	
	854	-----	SUB SHAFT	NO SERVICE PART	1	
	855	-----	SUB SHAFT SP	NO SERVICE PART	1	
△	856	-----	PICKUP	NO SERVICE PART	1	
	857	-----	PICKUP ARM	NO SERVICE PART	1	
	858	-----	PICKUP ARM SP	NO SERVICE PART	1	
	859	-----	SHAFT	NO SERVICE PART	1	
	860	-----	MAIN SHAFT SP 2	NO SERVICE PART	1	
	861	-----	MAIN SHAFT SP	NO SERVICE PART	1	
	862	-----	TM COVER MAIN	NO SERVICE PART	1	
	863	-----	TM COVER SUB	NO SERVICE PART	1	
	864	-----	ROLLER SHAFT	NO SERVICE PART	1	
	865	-----	ROLLER GEAR	NO SERVICE PART	1	
	866	-----	SCREW	NO SERVICE PART	1	

MODEL	MARK	MODEL	MARK
DDX6702S	K1	DDX6902S	K0

Safe	Symbol No.	Parts No.	Parts Name	Description	QTY	Local
MAIN PWB ASSY (LVA11285-LxA) <L28>						
	IC1	LV5680NPVC	IC		1	
	IC111	TPS54240-X	ANALOG IC		1	
	IC112	TC7SZ125FUF	MOS IC		1	
	IC131	BD9876AEFJ-X	IC		1	
	IC151	LM3481MMX-X	IC		1	
	IC201	JCV8031	IC		1	
	IC301	TDA7715	IC		1	
	IC501	W3F-0088-00	MCU IC		1	
	IC502	BU4824F-W	IC		1	
	IC503	R1EX24008ATAA-X	IC		1	
	IC591	XC6223B331PG-X	IC		1	
	IC592	XC6201P502PR-X	IC		1	
	IC601	XC6201P502PR-X	IC		1	
	IC624	74AHC1G08GW-X	IC		1	
	IC651	XC6201P502PR-X	IC		1	
	IC652	XC6503D331PG-X	IC		1	
	IC711	TC7SET08FU-J-X	IC(DIGITAL)		1	
	IC721	TC7SH17FU-X	IC(DIGITAL)		1	
	IC751	TC7SET08FU-J-X	IC(DIGITAL)		1	
	IC851	MM3423DHE	ANALOG IC		1	
	IC901	AK7600VF-X	IC		1	
	IC941	NJM2794RB2-X	IC		1	
	IC951	TC74HCT4053FT	MOS IC		1	
	IC961	NJW1240V-X	IC		1	K0
	Q31	LSCR523EBFS8	TRANSISTOR		1	
	Q32	LSCR523EBFS8	TRANSISTOR		1	
	Q41	LSCR523EBFS8	TRANSISTOR		1	
	Q51	LSCR523EBFS8	TRANSISTOR		1	
	Q101	MTM98140-X	TRANSISTOR		1	
	Q102	LTA014EEBFS8	DIGI TRANSISTOR		1	
	Q103	LTA014EEBFS8	DIGI TRANSISTOR		1	
	Q104	LTC014EEBFS8	DIGI TRANSISTOR		1	
	Q105	LTC044EEBFS8	DIGI TRANSISTOR		1	
	Q111	LTC014YEBFS8	DIGI TRANSISTOR		1	
	Q113	LSCR523EBFS8	TRANSISTOR		1	
	Q131	LTC014EEBFS8	DIGI TRANSISTOR		1	
	Q151	RTQ035N03-W	MOS FET		1	
	Q251	LTC014YEBFS8	DIGI TRANSISTOR		1	
	Q252	LTA043ZEBFS8	DIGI TRANSISTOR		1	
	Q255	LTC014YEBFS8	DIGI TRANSISTOR		1	
	Q256	LTA043ZEBFS8	DIGI TRANSISTOR		1	
	Q261	LTC043TEB-X	DIGI TRANSISTOR		1	
	Q262	LTC043TEB-X	DIGI TRANSISTOR		1	
	Q263	LTC043TEB-X	DIGI TRANSISTOR		1	
	Q264	LTC043TEB-X	DIGI TRANSISTOR		1	
	Q265	LTC043TEB-X	DIGI TRANSISTOR		1	
	Q292	LTA043ZEBFS8	DIGI TRANSISTOR		1	
	Q293	LTC043TEB-X	DIGI TRANSISTOR		1	
	Q294	LTC043TEB-X	DIGI TRANSISTOR		1	
	Q511	LTA014EEBFS8	DIGI TRANSISTOR		1	
	Q512	DSC5001/R/	TRANSISTOR		1	
	Q521	2SA812/5-6/-X	TRANSISTOR		1	
	Q591	RE1C002ZP-X	MOS FET		1	
	Q592	LTC044EEBFS8	DIGI TRANSISTOR		1	
	Q601	LTA043ZEBFS8	DIGI TRANSISTOR		1	
	Q670	LTA014YEB-X	DIGI TRANSISTOR		1	
	Q671	LTC043TEB-X	DIGI TRANSISTOR		1	
	Q672	LTC043TEB-X	DIGI TRANSISTOR		1	
	Q851	2SB1689-X	TRANSISTOR		1	
	Q852	LTC014YEBFS8	DIGI TRANSISTOR		1	
	D1	1N5402-BPC04	DIODE		1	
	D2	GS1J-LTP-X	SI DIODE		1	
	D31	DZ2J056M	ZENER DIODE		1	
	D32	DZ2J068M	ZENER DIODE		1	
	D41	DZ2J062M	ZENER DIODE		1	
	D71	DZ2J062M	ZENER DIODE		1	
	D81	MBRX130	SCHOTTKY DIODE		1	
	D82	MBRX130	SCHOTTKY DIODE		1	
	D83	MBRX130	SCHOTTKY DIODE		1	
	D84	MBRX130	SCHOTTKY DIODE		1	
	D101	DZ2J180M	ZENER DIODE		1	
	D111	RB080L-30-X	SB DIODE		1	
	D112	RB080L-30-X	SB DIODE		1	
	D141	RB051L-40	SCHOTTKY DIODE		1	
	D142	DZ2J062M	ZENER DIODE		1	
	D161	RB160L-40	SCHOTTKY DIODE		1	
	D162	RB521S-30	SCHOTTKY DIODE		1	
	D163	RB521S-30	SCHOTTKY DIODE		1	
	D164	RB521S-30	SCHOTTKY DIODE		1	
	D241	DAP202U-X	SI DIODE		1	
	D251	DAP202U-X	SI DIODE		1	
	D255	DAP202U-X	SI DIODE		1	
	D291	DAP202U-X	SI DIODE		1	
	D301	DAP202U-X	SI DIODE		1	
	D302	DAP202U-X	SI DIODE		1	
	D303	DAP202U-X	SI DIODE		1	
	D312	DA2J101	DIODE		1	
	D511	DA2J101	DIODE		1	
	D512	DAP202U-X	SI DIODE		1	
	D591	GS1J-LTP-X	SI DIODE		1	
	D651	GS1J-LTP-X	SI DIODE		1	

MODEL	MARK	MODEL	MARK
DDX6702S	K1	DDX6902S	K0

Safe	Symbol No.	Parts No.	Parts Name	Description	QTY	Local
D941		DZ2J047M	ZENER DIODE		1	
D942		DA2J101	DIODE		1	
C1		QE20934-338	E CAPACITOR	3300uF	1	
C11		CD04CZ1E101M	E CAPACITOR	100uF 25V M	1	
C12		CK73HBB1E103K	C CAPACITOR	0.01uF 25V K	1	
C13		CD04AS1C470M	E CAPACITOR	47uF 16V M	1	
C14		CD04AS1C470M	E CAPACITOR	47uF 16V M	1	
C15		QETN1CM-107Z	E CAPACITOR	100uF 16V M	1	
C16		QETN1CM-227Z	E CAPACITOR	220uF 16V M	1	
C18		CK730BY1E106K	C CAPACITOR	10uF 25V K	1	
C19		CK730BY1E106K	C CAPACITOR	10uF 25V K	1	
C21		NCB31HK-104X	C CAPACITOR	0.1uF 50V K	1	
C23		NCB31CK-105X	C CAPACITOR	1uF 16V K	1	
C24		NCB31HK-104X	C CAPACITOR	0.1uF 50V K	1	
C25		CK73GBB1C224K	C CAPACITOR	0.22uF 16V K	1	
C26		CK73HBB1A104K	C CAPACITOR	0.1uF 10V K	1	
C41		CK73FBB1E474K	C CAPACITOR	0.47uF 25V K	1	
C51		CK73HBB1E103K	C CAPACITOR	0.01uF 25V K	1	
C52		CK730BS0J105K	C CAPACITOR	1uF 6.3V K	1	
C101		NCB21HK-334X	C CAPACITOR	0.33uF 50V K	1	
C102		CK73HBB1E103K	C CAPACITOR	0.01uF 25V K	1	
C111		QETN1EM-227Z	E CAPACITOR	220uF 25V M	1	
C112		NCB31HK-104X	C CAPACITOR	0.1uF 50V K	1	
C113		CK73HBB1E103K	C CAPACITOR	0.01uF 25V K	1	
C114		CK730BY1E106K	C CAPACITOR	10uF 25V K	1	
C115		CK730BY1E106K	C CAPACITOR	10uF 25V K	1	
C116		NCB31HK-104X	C CAPACITOR	0.1uF 50V K	1	
C117		CK73HBB1E103K	C CAPACITOR	0.01uF 25V K	1	
C118		NCB31HK-104X	C CAPACITOR	0.1uF 50V K	1	
C120		CK730BW0J226M	C CAPACITOR	22uF 6.3V M	1	
C121		CK73HBB1A104K	C CAPACITOR	0.1uF 10V K	1	
C122		CK73HBB1E103K	C CAPACITOR	0.01uF 25V K	1	
C123		QE20852-337Z	E CAPACITOR	330uF	1	
C124		CK73HBB1E103K	C CAPACITOR	0.01uF 25V K	1	
C125		CK73HBB1A104K	C CAPACITOR	0.1uF 10V K	1	
C127		CK73HBB1H332K	C CAPACITOR	3300pF 50V K	1	
C132		CK730BY1E106K	C CAPACITOR	10uF 25V K	1	
C138		NCB31HK-104X	C CAPACITOR	0.1uF 50V K	1	
C141		QE20852-337Z	E CAPACITOR	330uF	1	
C144		CK730BW1C106K	C CAPACITOR	10uF 16V K	1	
C145		CK73HBB1H102K	C CAPACITOR	1000pF 50V K	1	
C146		CK73HBB1H682K	C CAPACITOR	6800pF 50V K	1	
C151		CK730BY1E106K	C CAPACITOR	10uF 25V K	1	
C152		CK730BY1E106K	C CAPACITOR	10uF 25V K	1	
C153		CK73HBB1H102K	C CAPACITOR	1000pF 50V K	1	
C154		CK73GBB1H103K	C CAPACITOR	0.01uF 50V K	1	
C155		CK73HBB1H681K	C CAPACITOR	680pF 50V K	1	
C161		CD04CZ1E101M	E CAPACITOR	100uF 25V M	1	
C162		CD04AZ1H220M	E CAPACITOR	22uF 50V M	1	
C163		CK730BY1E106K	C CAPACITOR	10uF 25V K	1	
C164		CK73HBB1H821K	C CAPACITOR	820pF 50V K	1	
C165		NCB31HK-104X	C CAPACITOR	0.1uF 50V K	1	
C166		CK73FBB1H224K	C CAPACITOR	0.22uF 50V K	1	
C200		CD04BR1C330M	E CAPACITOR	33uF 16V M	1	
C201		CK73GBB1C224K	C CAPACITOR	0.22uF 16V K	1	
C202		CK73GBB1C224K	C CAPACITOR	0.22uF 16V K	1	
C203		CK73GBB1C224K	C CAPACITOR	0.22uF 16V K	1	
C204		CK73GBB1C224K	C CAPACITOR	0.22uF 16V K	1	
C206		NCB31CK-105X	C CAPACITOR	1uF 16V K	1	
C221		CK73HBB1H221K	C CAPACITOR	220pF 50V K	1	
C222		CK73HBB1H221K	C CAPACITOR	220pF 50V K	1	
C223		CK73HBB1H221K	C CAPACITOR	220pF 50V K	1	
C224		CK73HBB1H221K	C CAPACITOR	220pF 50V K	1	
C225		CK73HBB1H221K	C CAPACITOR	220pF 50V K	1	
C226		CK73HBB1H221K	C CAPACITOR	220pF 50V K	1	
C227		CK73HBB1H221K	C CAPACITOR	220pF 50V K	1	
C228		CK73HBB1H221K	C CAPACITOR	220pF 50V K	1	
C241		NCB31CK-105X	C CAPACITOR	1uF 16V K	1	
C245		NCB31CK-105X	C CAPACITOR	1uF 16V K	1	
C251		CK730DK1E106K	C CAPACITOR	10uF 25V K	1	
C252		CK730DK1E106K	C CAPACITOR	10uF 25V K	1	
C253		CK730DK1E106K	C CAPACITOR	10uF 25V K	1	
C254		CK730DK1E106K	C CAPACITOR	10uF 25V K	1	
C255		CK730DK1E106K	C CAPACITOR	10uF 25V K	1	
C271		CK73HBB1H102K	C CAPACITOR	1000pF 50V K	1	
C272		CK73HBB1H102K	C CAPACITOR	1000pF 50V K	1	
C273		CK73HBB1H102K	C CAPACITOR	1000pF 50V K	1	
C274		CK73HBB1H102K	C CAPACITOR	1000pF 50V K	1	
C275		CK73HBB1H102K	C CAPACITOR	1000pF 50V K	1	
C291		CK730DK1E106K	C CAPACITOR	10uF 25V K	1	
C292		CK730DK1E106K	C CAPACITOR	10uF 25V K	1	
C295		CK73GBB1H102K	C CAPACITOR	1000pF 50V K	1	
C296		CK73GBB1H102K	C CAPACITOR	1000pF 50V K	1	
C301		CD04AS1C470M	E CAPACITOR	47uF 16V M	1	
C302		CK73HBB1E103K	C CAPACITOR	0.01uF 25V K	1	
C303		CK73HBB1E103K	C CAPACITOR	0.01uF 25V K	1	
C304		CD04AS1C470M	E CAPACITOR	47uF 16V M	1	
C305		NCB31CK-105X	C CAPACITOR	1uF 16V K	1	
C306		NCB31CK-105X	C CAPACITOR	1uF 16V K	1	
C307		CK730AU0J474K	C CAPACITOR	0.47uF 6.3V K	1	
C308		NCB31CK-105X	C CAPACITOR	1uF 16V K	1	
C309		CK730AU0J474K	C CAPACITOR	0.47uF 6.3V K	1	

MODEL	MARK	MODEL	MARK
DDX6702S	K1	DDX6902S	K0

Safe	Symbol No.	Parts No.	Parts Name	Description	QTY	Local
	C313	CK730BU0J475K	C CAPACITOR	4.7uF 6.3V K	1	
	C314	CK730BU0J475K	C CAPACITOR	4.7uF 6.3V K	1	
	C315	NCB31CK-105X	C CAPACITOR	1uF 16V K	1	
	C316	NCB31CK-105X	C CAPACITOR	1uF 16V K	1	
	C501	QETN1CM-227Z	E CAPACITOR	220uF 16V M	1	
	C503	NCB20JK-106X	C CAPACITOR	10uF 6.3V K	1	
	C504	CK73HBB1H222K	C CAPACITOR	2200pF 50V K	1	
	C505	NCB31CK-105X	C CAPACITOR	1uF 16V K	1	
	C506	NCB31CK-105X	C CAPACITOR	1uF 16V K	1	
	C507	CK73HBB1A104K	C CAPACITOR	0.1uF 10V K	1	
	C508	CK73HBB1A104K	C CAPACITOR	0.1uF 10V K	1	
	C509	NCB31HK-104X	C CAPACITOR	0.1uF 50V K	1	
	C510	CK73HBB1E103K	C CAPACITOR	0.01uF 25V K	1	
	C521	CK73HBB1E103K	C CAPACITOR	0.01uF 25V K	1	
	C522	CK73HBB1E103K	C CAPACITOR	0.01uF 25V K	1	
	C523	CK73HBB1E103K	C CAPACITOR	0.01uF 25V K	1	
	C524	CK73HBB1E103K	C CAPACITOR	0.01uF 25V K	1	
	C525	CK73HBB1E103K	C CAPACITOR	0.01uF 25V K	1	
	C527	CK73HBB1E103K	C CAPACITOR	0.01uF 25V K	1	
	C530	CK73HBB1E103K	C CAPACITOR	0.01uF 25V K	1	
	C531	CK73HBB1E103K	C CAPACITOR	0.01uF 25V K	1	
	C532	CK73HBB1E103K	C CAPACITOR	0.01uF 25V K	1	
	C533	CK73HBB1E103K	C CAPACITOR	0.01uF 25V K	1	
	C534	CK73HBB1E103K	C CAPACITOR	0.01uF 25V K	1	
	C535	CK73HBB1E103K	C CAPACITOR	0.01uF 25V K	1	
	C536	CK73HBB1E103K	C CAPACITOR	0.01uF 25V K	1	
	C537	CK73HBB1E103K	C CAPACITOR	0.01uF 25V K	1	
	C541	NCB31CK-105X	C CAPACITOR	1uF 16V K	1	
	C542	CK73HBB1E103K	C CAPACITOR	0.01uF 25V K	1	
	C544	CK73HBB1H102K	C CAPACITOR	1000pF 50V K	1	
	C551	CC73HCH1H100D	C CAPACITOR	10pF 50V D	1	
	C552	CC73HCH1H100D	C CAPACITOR	10pF 50V D	1	
	C561	CC73GCH1H220J	C CAPACITOR	22pF 50V J	1	
	C562	CC73GCH1H220J	C CAPACITOR	22pF 50V J	1	
	C571	CK73HBB1E103K	C CAPACITOR	0.01uF 25V K	1	
	C591	QETN1CM-107Z	E CAPACITOR	100uF 16V M	1	
	C592	NCB20JK-106X	C CAPACITOR	10uF 6.3V K	1	
	C594	NCB31CK-105X	C CAPACITOR	1uF 16V K	1	
	C595	NCB31CK-105X	C CAPACITOR	1uF 16V K	1	
	C601	NCB31CK-105X	C CAPACITOR	1uF 16V K	1	
	C602	NCB31CK-105X	C CAPACITOR	1uF 16V K	1	
	C624	CK73HBB1E103K	C CAPACITOR	0.01uF 25V K	1	
	C651	CK73HBB1E103K	C CAPACITOR	0.01uF 25V K	1	
	C652	CK73HBB1A104K	C CAPACITOR	0.1uF 10V K	1	
	C653	CK730BU0J106M	C CAPACITOR	10uF 6.3V M	1	
	C654	NCB31CK-105X	C CAPACITOR	1uF 16V K	1	
	C655	NCB31CK-105X	C CAPACITOR	1uF 16V K	1	
	C656	NCB31CK-105X	C CAPACITOR	1uF 16V K	1	
	C657	NCB31CK-105X	C CAPACITOR	1uF 16V K	1	
	C658	CK730BU0J106M	C CAPACITOR	10uF 6.3V M	1	
	C671	CK730BU0J106M	C CAPACITOR	10uF 6.3V M	1	
	C672	CK730BU0J106M	C CAPACITOR	10uF 6.3V M	1	
	C694	CC73HCH1H102J	C CAPACITOR	1000pF 50V J	1	
	C695	CK73GBB1H103K	C CAPACITOR	0.01uF 50V K	1	
	C701	NCB31CK-105X	C CAPACITOR	1uF 16V K	1	
	C702	NCB31CK-105X	C CAPACITOR	1uF 16V K	1	
	C703	CK730BU0J106M	C CAPACITOR	10uF 6.3V M	1	
	C711	CK73HBB1C104K	C CAPACITOR	0.1uF 16V K	1	
	C721	CK73HBB1C104K	C CAPACITOR	0.1uF 16V K	1	
	C741	CK730BU0J475K	C CAPACITOR	4.7uF 6.3V K	1	
	C742	CK730BU0J475K	C CAPACITOR	4.7uF 6.3V K	1	
	C745	CK730BU0J106M	C CAPACITOR	10uF 6.3V M	1	
	C751	CC73HCH1H331J	C CAPACITOR	330pF 50V J	1	
	C752	CC73HCH1H331J	C CAPACITOR	330pF 50V J	1	
	C753	CK73HBB1C103K	C CAPACITOR	0.01uF 16V K	1	
	C851	NCB31CK-105X	C CAPACITOR	1uF 16V K	1	
	C852	NCB31CK-105X	C CAPACITOR	1uF 16V K	1	
	C853	CK73GBB1H103K	C CAPACITOR	0.01uF 50V K	1	
	C854	NCB31HK-104X	C CAPACITOR	0.1uF 50V K	1	
	C855	CK730BU0J106M	C CAPACITOR	10uF 6.3V M	1	
	C861	CK73HBB1E103K	C CAPACITOR	0.01uF 25V K	1	
	C862	CK73HBB1A104K	C CAPACITOR	0.1uF 10V K	1	
	C864	NCB31CK-105X	C CAPACITOR	1uF 16V K	1	
	C901	CK73GBB1H222K	C CAPACITOR	2200pF 50V K	1	
	C902	CK73GBB1H222K	C CAPACITOR	2200pF 50V K	1	
	C903	CK73GBB1H222K	C CAPACITOR	2200pF 50V K	1	
	C904	CK73GBB1H222K	C CAPACITOR	2200pF 50V K	1	
	C905	CK73GBB1H222K	C CAPACITOR	2200pF 50V K	1	
	C906	CK73GBB1H222K	C CAPACITOR	2200pF 50V K	1	
	C911	CK730BU0J475K	C CAPACITOR	4.7uF 6.3V K	1	
	C912	CK730BU0J475K	C CAPACITOR	4.7uF 6.3V K	1	
	C913	CK730BU0J475K	C CAPACITOR	4.7uF 6.3V K	1	
	C914	CK730BU0J475K	C CAPACITOR	4.7uF 6.3V K	1	
	C915	CK730BU0J475K	C CAPACITOR	4.7uF 6.3V K	1	
	C916	CK730BU0J475K	C CAPACITOR	4.7uF 6.3V K	1	
	C917	NCB31CK-105X	C CAPACITOR	1uF 16V K	1	
	C918	NCB31CK-105X	C CAPACITOR	1uF 16V K	1	
	C921	CC73HCH1H100D	C CAPACITOR	10pF 50V D	1	
	C922	CC73HCH1H100D	C CAPACITOR	10pF 50V D	1	
	C925	CK730BU0J106M	C CAPACITOR	10uF 6.3V M	1	
	C926	CK73HBB1C104K	C CAPACITOR	0.1uF 16V K	1	
	C927	CK73HBB1C103K	C CAPACITOR	0.01uF 16V K	1	
	C928	NCB31CK-105X	C CAPACITOR	1uF 16V K	1	

MODEL		MARK	MODEL		MARK	
DDX6702S		K1	DDX6902S		K0	
Safe	Symbol No.	Parts No.	Parts Name	Description	QTY	Local
	C930	CK73GBB1H102K	C CAPACITOR	1000pF 50V K	1	
	C931	CK730BU0J106M	C CAPACITOR	10uF 6.3V M	1	
	C932	CK73HBB1C104K	C CAPACITOR	0.1uF 16V K	1	
	C933	CK730BU0J106M	C CAPACITOR	10uF 6.3V M	1	
	C934	CK73HBB1C104K	C CAPACITOR	0.1uF 16V K	1	
	C935	NCB30JK-225X	C CAPACITOR	2.2uF 6.3V K	1	
	C936	CK73HBB1C104K	C CAPACITOR	0.1uF 16V K	1	
	C937	CK730BU0J106M	C CAPACITOR	10uF 6.3V M	1	
	C938	CK73HBB1C104K	C CAPACITOR	0.1uF 16V K	1	
	C941	NCB31CK-105X	C CAPACITOR	1uF 16V K	1	
	C942	NCB31CK-105X	C CAPACITOR	1uF 16V K	1	
	C943	NCB31CK-105X	C CAPACITOR	1uF 16V K	1	
	C944	NCB31CK-105X	C CAPACITOR	1uF 16V K	1	
	C945	NCB31CK-105X	C CAPACITOR	1uF 16V K	1	
	C946	NCB31CK-105X	C CAPACITOR	1uF 16V K	1	
	C947	CD04AS1C470M	E CAPACITOR	47uF 16V M	1	
	C948	CK73HBB1C103K	C CAPACITOR	0.01uF 16V K	1	
	C949	CD04AS1C220M	E CAPACITOR	22uF 16V M	1	
	C954	NCB31HK-104X	C CAPACITOR	0.1uF 50V K	1	
	C961	CK730DK1E106K	C CAPACITOR	10uF 25V K	1	KO
	C962	CK730DK1E106K	C CAPACITOR	10uF 25V K	1	KO
	C963	CK730DK1E106K	C CAPACITOR	10uF 25V K	1	KO
	C964	CK730DK1E106K	C CAPACITOR	10uF 25V K	1	KO
	C965	CK730DK1E106K	C CAPACITOR	10uF 25V K	1	KO
	C970	CK730BW1C106K	C CAPACITOR	10uF 16V K	1	KO
	C971	CK73HBB1E103K	C CAPACITOR	0.01uF 25V K	1	KO
	C972	NCB31CK-105X	C CAPACITOR	1uF 16V K	1	KO
	C973	NCB31CK-105X	C CAPACITOR	1uF 16V K	1	KO
	C974	NCB31CK-105X	C CAPACITOR	1uF 16V K	1	KO
	C976	NCB31CK-105X	C CAPACITOR	1uF 16V K	1	KO
	C978	NCB31CK-105X	C CAPACITOR	1uF 16V K	1	KO
	C979	CK73GBB1H102K	C CAPACITOR	1000pF 50V K	1	KO
	C2021	CC73HCH1H030C	C CAPACITOR	3pF 50V C	1	
	C2022	CC73HCH1H070D	C CAPACITOR	7pF 50V D	1	
	C2023	CC73HCH1H100D	C CAPACITOR	10pF 50V D	1	
	R11	RK73GH2A562D	MG RESISTOR	5.6kΩ 1/10W D	1	
	R12	RK73GH2A431D	MG RESISTOR	430Ω 1/10W D	1	
	R13	RK73GH2A751D	MG RESISTOR	750Ω 1/10W D	1	
	R15	RK73GH2A273D	MG RESISTOR	27kΩ 1/10W D	1	
	R16	RK73GB2A000J	MG RESISTOR	0Ω 1/10W J	1	
	R17	RK73GH2A472D	MG RESISTOR	4.7kΩ 1/10W D	1	
	R18	RK73HB1J101J	MG RESISTOR	100Ω 1/16W J	1	
	R19	RK73HB1J000J	MG RESISTOR	0Ω 1/16W J	1	
	R23	RK73FB2B000J	MG RESISTOR	0Ω 1/8W J	1	
	R24	RK73FB2B000J	MG RESISTOR	0Ω 1/8W J	1	
	R25	RK73FB2B000J	MG RESISTOR	0Ω 1/8W J	1	
	R26	RK73FB2B000J	MG RESISTOR	0Ω 1/8W J	1	
	R27	RK73FB2B000J	MG RESISTOR	0Ω 1/8W J	1	
	R31	RK73GB2A683J	MG RESISTOR	68kΩ 1/10W J	1	
	R32	RK73GB2A473J	MG RESISTOR	47kΩ 1/10W J	1	
	R33	RK73HB1J153J	MG RESISTOR	15kΩ 1/16W J	1	
	R34	RK73HB1J473J	MG RESISTOR	47kΩ 1/16W J	1	
	R35	RK73HB1J103J	MG RESISTOR	10kΩ 1/16W J	1	
	R36	RK73HB1J912J	MG RESISTOR	9.1kΩ 1/16W J	1	
	R41	RK73EB2E153J	MG RESISTOR	15kΩ 1/4W J	1	
	R44	RK73HB1J822J	MG RESISTOR	8.2kΩ 1/16W J	1	
	R45	RK73EB2E102J	MG RESISTOR	1kΩ 1/4W J	1	
	R46	RK73EB2E102J	MG RESISTOR	1kΩ 1/4W J	1	
	R47	RK73EB2E102J	MG RESISTOR	1kΩ 1/4W J	1	
	R51	RK73GB2A223J	MG RESISTOR	22kΩ 1/10W J	1	
	R52	RK73GB2A472J	MG RESISTOR	4.7kΩ 1/10W J	1	
	R53	RK73GB2A472J	MG RESISTOR	4.7kΩ 1/10W J	1	
	R54	RK73HB1J333J	MG RESISTOR	33kΩ 1/16W J	1	
	R55	RK73HB1J223J	MG RESISTOR	22kΩ 1/16W J	1	
	R71	RK73GB2A152J	MG RESISTOR	1.5kΩ 1/10W J	1	
	R81	RK73FB2B472J	MG RESISTOR	4.7kΩ 1/8W J	1	
	R82	RK73FB2B472J	MG RESISTOR	4.7kΩ 1/8W J	1	
	R101	RK73HB1J223J	MG RESISTOR	22kΩ 1/16W J	1	
	R102	RK73HB1J103J	MG RESISTOR	10kΩ 1/16W J	1	
	R103	RK73HB1J471J	MG RESISTOR	470Ω 1/16W J	1	
	R104	RK73HB1J103J	MG RESISTOR	10kΩ 1/16W J	1	
	R105	RK73HB1J472J	MG RESISTOR	4.7kΩ 1/16W J	1	
	R114	RK73HB1J101J	MG RESISTOR	100Ω 1/16W J	1	
	R115	RK73HB1J000J	MG RESISTOR	0Ω 1/16W J	1	
	R116	RK73GB2A223J	MG RESISTOR	22kΩ 1/10W J	1	
	R117	RK73HB1J101J	MG RESISTOR	100Ω 1/16W J	1	
	R118	RK73HB1J274J	MG RESISTOR	270kΩ 1/16W J	1	
	R119	RK73HB1J113J	MG RESISTOR	11kΩ 1/16W J	1	
	R120	RK73HB1J163J	MG RESISTOR	16kΩ 1/16W J	1	
	R121	RK73HH1J223D	MG RESISTOR	22kΩ 1/16W D	1	
	R122	RK73HB1J000J	MG RESISTOR	0Ω 1/16W J	1	
	R123	RK73HH1J203D	MG RESISTOR	20kΩ 1/16W D	1	
	R124	RK73HH1J333D	MG RESISTOR	33kΩ 1/16W D	1	
	R125	RK73HB1J472J	MG RESISTOR	4.7kΩ 1/16W J	1	
	R126	RK73HB1J473J	MG RESISTOR	47kΩ 1/16W J	1	
	R127	RK73EB2E111J	MG RESISTOR	110Ω 1/4W J	1	
	R128	RK73GB2A000J	MG RESISTOR	0Ω 1/10W J	1	
	R131	RK73HB1J101J	MG RESISTOR	100Ω 1/16W J	1	
	R132	RK73HB1J470J	MG RESISTOR	47Ω 1/16W J	1	
	R133	RK73HB1J473J	MG RESISTOR	47kΩ 1/16W J	1	
	R141	RK73HH1J124D	MG RESISTOR	120kΩ 1/16W D	1	
	R142	RK73HH1J303D	MG RESISTOR	30kΩ 1/16W D	1	

MODEL	MARK	MODEL	MARK
DDX6702S	K1	DDX6902S	K0

Safe	Symbol No.	Parts No.	Parts Name	Description	QTY	Local
	R143	RK73HB1J000J	MG RESISTOR	0Ω 1/16W J	1	
	R144	RK73HB1J103J	MG RESISTOR	10kΩ 1/16W J	1	
	R145	RK73PB2H100J	MG RESISTOR	10Ω 1/2W J	1	
	R146	RK73HB1J223J	MG RESISTOR	22kΩ 1/16W J	1	
	R147	RK73GB2A000J	MG RESISTOR	0Ω 1/10W J	1	
	R150	RK73GB2A000J	MG RESISTOR	0Ω 1/10W J	1	
	R151	RK73HB1J101J	MG RESISTOR	100Ω 1/16W J	1	
	R152	RK73HH1J563D	MG RESISTOR	56kΩ 1/16W D	1	
	R153	RK73PB2H100J	MG RESISTOR	10Ω 1/2W J	1	
	R154	RK73HH1J472D	MG RESISTOR	4.7kΩ 1/16W D	1	
	R155	RK73HH1J103D	MG RESISTOR	10kΩ 1/16W D	1	
	R156	RK73HB1J000J	MG RESISTOR	0Ω 1/16W J	1	
	R157	RK73HH1J164D	MG RESISTOR	160kΩ 1/16W D	1	
	R158	RK73EB2E560J	MG RESISTOR	56Ω 1/4W J	1	
	R160	RK73GB2A000J	MG RESISTOR	0Ω 1/10W J	1	
	R161	RK73HH1J104D	MG RESISTOR	100kΩ 1/16W D	1	
	R162	RK73HH1J563D	MG RESISTOR	56kΩ 1/16W D	1	
	R163	RK73HB1J000J	MG RESISTOR	0Ω 1/16W J	1	
	R164	RK73HB1J000J	MG RESISTOR	0Ω 1/16W J	1	
	R165	NR20126-R062X	MG RESISTOR	0.062Ω 1/3W J	1	
	R205	RK73HB1J6R8J	MG RESISTOR	6.8Ω 1/16W J	1	
	R240	RK73HB1J000J	MG RESISTOR	0Ω 1/16W J	1	
	R241	RK73GB2A223J	MG RESISTOR	22kΩ 1/10W J	1	
	R242	RK73HB1J331J	MG RESISTOR	330Ω 1/16W J	1	
	R243	RK73HB1J223J	MG RESISTOR	22kΩ 1/16W J	1	
	R244	RK73HB1J182J	MG RESISTOR	1.8kΩ 1/16W J	1	
	R245	RK73HB1J333J	MG RESISTOR	33kΩ 1/16W J	1	
	R246	RK73HB1J000J	MG RESISTOR	0Ω 1/16W J	1	
	R248	RK73HB1J000J	MG RESISTOR	0Ω 1/16W J	1	
	R251	RK73HB1J471J	MG RESISTOR	470Ω 1/16W J	1	
	R252	RK73HB1J471J	MG RESISTOR	470Ω 1/16W J	1	
	R253	RK73HB1J471J	MG RESISTOR	470Ω 1/16W J	1	
	R254	RK73HB1J471J	MG RESISTOR	470Ω 1/16W J	1	
	R255	RK73HB1J471J	MG RESISTOR	470Ω 1/16W J	1	
	R261	RK73HB1J223J	MG RESISTOR	22kΩ 1/16W J	1	
	R262	RK73HB1J223J	MG RESISTOR	22kΩ 1/16W J	1	
	R263	RK73HB1J223J	MG RESISTOR	22kΩ 1/16W J	1	
	R264	RK73HB1J223J	MG RESISTOR	22kΩ 1/16W J	1	
	R265	RK73HB1J223J	MG RESISTOR	22kΩ 1/16W J	1	
	R271	RK73GB2A101J	MG RESISTOR	100Ω 1/10W J	1	
	R272	RK73GB2A101J	MG RESISTOR	100Ω 1/10W J	1	
	R273	RK73GB2A101J	MG RESISTOR	100Ω 1/10W J	1	
	R274	RK73GB2A101J	MG RESISTOR	100Ω 1/10W J	1	
	R275	RK73GB2A101J	MG RESISTOR	100Ω 1/10W J	1	
	R281	RK73HB1J000J	MG RESISTOR	0Ω 1/16W J	1	K1
	R282	RK73HB1J000J	MG RESISTOR	0Ω 1/16W J	1	K1
	R283	RK73HB1J000J	MG RESISTOR	0Ω 1/16W J	1	K1
	R284	RK73HB1J000J	MG RESISTOR	0Ω 1/16W J	1	K1
	R285	RK73HB1J000J	MG RESISTOR	0Ω 1/16W J	1	K1
	R291	RK73HB1J471J	MG RESISTOR	470Ω 1/16W J	1	
	R292	RK73HB1J471J	MG RESISTOR	470Ω 1/16W J	1	
	R293	RK73GB2A223J	MG RESISTOR	22kΩ 1/10W J	1	
	R294	RK73GB2A223J	MG RESISTOR	22kΩ 1/10W J	1	
	R295	RK73GB2A101J	MG RESISTOR	100Ω 1/10W J	1	
	R296	RK73GB2A101J	MG RESISTOR	100Ω 1/10W J	1	
	R297	RK73HB1J473J	MG RESISTOR	47kΩ 1/16W J	1	
	R301	RK73GB2A2R2J	MG RESISTOR	2.2Ω 1/10W J	1	
	R302	RK73HB1J102J	MG RESISTOR	1kΩ 1/16W J	1	
	R304	RK73HB1J103J	MG RESISTOR	10kΩ 1/16W J	1	
	R305	RK73HB1J101J	MG RESISTOR	100Ω 1/16W J	1	
	R306	RK73HB1J101J	MG RESISTOR	100Ω 1/16W J	1	
	R307	RK73HB1J101J	MG RESISTOR	100Ω 1/16W J	1	
	R501	RK73HB1J473J	MG RESISTOR	47kΩ 1/16W J	1	
	R502	RK73HB1J102J	MG RESISTOR	1kΩ 1/16W J	1	
	R503	RK73HB1J153J	MG RESISTOR	15kΩ 1/16W J	1	
	R504	RK73GB2A154J	MG RESISTOR	150kΩ 1/10W J	1	
	R505	RK73HB1J101J	MG RESISTOR	100Ω 1/16W J	1	
	R507	RK73HB1J101J	MG RESISTOR	100Ω 1/16W J	1	
	R509	RK73HB1J000J	MG RESISTOR	0Ω 1/16W J	1	
	R510	RK73HB1J472J	MG RESISTOR	4.7kΩ 1/16W J	1	
	R512	RK73HB1J753J	MG RESISTOR	75kΩ 1/16W J	1	
	R513	RK73HB1J473J	MG RESISTOR	47kΩ 1/16W J	1	K0
	R514	RK73HB1J473J	MG RESISTOR	47kΩ 1/16W J	1	K1
	R515	RK73HB1J473J	MG RESISTOR	47kΩ 1/16W J	1	
	R517	RK73HB1J473J	MG RESISTOR	47kΩ 1/16W J	1	
	R518	RK73HB1J473J	MG RESISTOR	47kΩ 1/16W J	1	K0
	R519	RK73HB1J101J	MG RESISTOR	100Ω 1/16W J	1	
	R520	RK73HB1J473J	MG RESISTOR	47kΩ 1/16W J	1	
	R522	RK73HB1J753J	MG RESISTOR	75kΩ 1/16W J	1	
	R523	RK73HB1J223J	MG RESISTOR	22kΩ 1/16W J	1	
	R524	RK73HB1J753J	MG RESISTOR	75kΩ 1/16W J	1	
	R526	RK73HB1J123J	MG RESISTOR	12kΩ 1/16W J	1	
	R527	RK73HB1J473J	MG RESISTOR	47kΩ 1/16W J	1	
	R529	RK73HB1J106J	MG RESISTOR	10MΩ 1/16W J	1	
	R531	RK73HB1J102J	MG RESISTOR	1kΩ 1/16W J	1	
	R532	RK73HB1J102J	MG RESISTOR	1kΩ 1/16W J	1	
	R533	RK73HB1J123J	MG RESISTOR	12kΩ 1/16W J	1	
	R534	RK73HB1J123J	MG RESISTOR	12kΩ 1/16W J	1	
	R537	RK73HB1J473J	MG RESISTOR	47kΩ 1/16W J	1	
	R538	RK73HB1J473J	MG RESISTOR	47kΩ 1/16W J	1	
	R539	RK73HB1J473J	MG RESISTOR	47kΩ 1/16W J	1	
	R540	RK73HB1J474J	MG RESISTOR	470kΩ 1/16W J	1	

MODEL	MARK	MODEL	MARK
DDX6702S	K1	DDX6902S	K0

Safe	Symbol No.	Parts No.	Parts Name	Description	QTY	Local
R542		RK73HB1J473J	MG RESISTOR	47kΩ 1/16W J	1	
R545		RK73HB1J101J	MG RESISTOR	100Ω 1/16W J	1	
R546		RK73HB1J473J	MG RESISTOR	47kΩ 1/16W J	1	
R547		RK73HB1J101J	MG RESISTOR	100Ω 1/16W J	1	
R548		RK73HB1J104J	MG RESISTOR	100kΩ 1/16W J	1	
R549		RK73HB1J101J	MG RESISTOR	100Ω 1/16W J	1	
R550		RK73HB1J473J	MG RESISTOR	47kΩ 1/16W J	1	
R551		RK73HB1J103J	MG RESISTOR	10kΩ 1/16W J	1	
R552		RK73HB1J223J	MG RESISTOR	22kΩ 1/16W J	1	
R553		RK73HB1J223J	MG RESISTOR	22kΩ 1/16W J	1	
R554		RK73HB1J473J	MG RESISTOR	47kΩ 1/16W J	1	
R555		RK73HB1J473J	MG RESISTOR	47kΩ 1/16W J	1	
R556		RK73HB1J222J	MG RESISTOR	2.2kΩ 1/16W J	1	
R557		RK73HB1J101J	MG RESISTOR	100Ω 1/16W J	1	
R558		RK73HB1J104J	MG RESISTOR	100kΩ 1/16W J	1	
R561		RK73HB1J101J	MG RESISTOR	100Ω 1/16W J	1	
R562		RK73HB1J101J	MG RESISTOR	100Ω 1/16W J	1	
R563		RK73HB1J101J	MG RESISTOR	100Ω 1/16W J	1	
R564		RK73HB1J101J	MG RESISTOR	100Ω 1/16W J	1	
R565		RK73HB1J101J	MG RESISTOR	100Ω 1/16W J	1	
R566		RK73HB1J101J	MG RESISTOR	100Ω 1/16W J	1	
R567		RK73HB1J104J	MG RESISTOR	100kΩ 1/16W J	1	
R570		RK73HB1J101J	MG RESISTOR	100Ω 1/16W J	1	
R571		RK73HB1J101J	MG RESISTOR	100Ω 1/16W J	1	
R572		RK73HB1J101J	MG RESISTOR	100Ω 1/16W J	1	
R573		RK73HB1J472J	MG RESISTOR	4.7kΩ 1/16W J	1	
R574		RK73HB1J472J	MG RESISTOR	4.7kΩ 1/16W J	1	
R575		RK73HB1J101J	MG RESISTOR	100Ω 1/16W J	1	
R576		RK73HB1J101J	MG RESISTOR	100Ω 1/16W J	1	
R578		RK73HB1J472J	MG RESISTOR	4.7kΩ 1/16W J	1	
R579		RK73HB1J472J	MG RESISTOR	4.7kΩ 1/16W J	1	
R581		RK73HB1J101J	MG RESISTOR	100Ω 1/16W J	1	
R582		RK73HB1J272J	MG RESISTOR	2.7kΩ 1/16W J	1	
R583		RK73GB2A272J	MG RESISTOR	2.7kΩ 1/10W J	1	
R584		RK73GB2A272J	MG RESISTOR	2.7kΩ 1/10W J	1	
R585		RK73HB1J101J	MG RESISTOR	100Ω 1/16W J	1	
R586		RK73HB1J101J	MG RESISTOR	100Ω 1/16W J	1	
R587		RK73HB1J101J	MG RESISTOR	100Ω 1/16W J	1	
R588		RK73HB1J272J	MG RESISTOR	2.7kΩ 1/16W J	1	
R589		RK73HB1J101J	MG RESISTOR	100Ω 1/16W J	1	
R591		RK73GB2A000J	MG RESISTOR	0Ω 1/10W J	1	
R592		RK73HB1J473J	MG RESISTOR	47kΩ 1/16W J	1	
R593		RK73HB1J473J	MG RESISTOR	47kΩ 1/16W J	1	
R594		RK73HB1J104J	MG RESISTOR	100kΩ 1/16W J	1	
R595		RK73HB1J102J	MG RESISTOR	1kΩ 1/16W J	1	
R611		RK73HB1J104J	MG RESISTOR	100kΩ 1/16W J	1	
R612		RK73HB1J473J	MG RESISTOR	47kΩ 1/16W J	1	
R615		RK73HB1J101J	MG RESISTOR	100Ω 1/16W J	1	
R621		RK73HB1J470J	MG RESISTOR	47Ω 1/16W J	1	
R622		RK73HB1J470J	MG RESISTOR	47Ω 1/16W J	1	
R623		RK73HB1J470J	MG RESISTOR	47Ω 1/16W J	1	
R624		RK73HB1J272J	MG RESISTOR	2.7kΩ 1/16W J	1	
R625		RK73HB1J272J	MG RESISTOR	2.7kΩ 1/16W J	1	
R626		RK73HB1J101J	MG RESISTOR	100Ω 1/16W J	1	
R671		RK73HB1J471J	MG RESISTOR	470Ω 1/16W J	1	
R672		RK73HB1J471J	MG RESISTOR	470Ω 1/16W J	1	
R673		RK73HB1J223J	MG RESISTOR	22kΩ 1/16W J	1	
R674		RK73HB1J223J	MG RESISTOR	22kΩ 1/16W J	1	
R675		RK73HB1J102J	MG RESISTOR	1kΩ 1/16W J	1	
R676		RK73HB1J102J	MG RESISTOR	1kΩ 1/16W J	1	
R681		RK73HB1J101J	MG RESISTOR	100Ω 1/16W J	1	
R682		RK73HB1J101J	MG RESISTOR	100Ω 1/16W J	1	
R683		RK73HB1J472J	MG RESISTOR	4.7kΩ 1/16W J	1	
R684		RK73HB1J472J	MG RESISTOR	4.7kΩ 1/16W J	1	
R701		RK73GB2A100J	MG RESISTOR	10Ω 1/10W J	1	
R702		RK73GB2A100J	MG RESISTOR	10Ω 1/10W J	1	
R703		RK73GB2A4R7J	MG RESISTOR	4.7Ω 1/10W J	1	
R704		RK73GB2A102J	MG RESISTOR	1kΩ 1/10W J	1	
R711		RK73GB2A101J	MG RESISTOR	100Ω 1/10W J	1	
R712		RK73GB2A101J	MG RESISTOR	100Ω 1/10W J	1	
R713		RK73GB2A101J	MG RESISTOR	100Ω 1/10W J	1	
R714		RK73HB1J272J	MG RESISTOR	2.7kΩ 1/16W J	1	
R715		RK73HB1J272J	MG RESISTOR	2.7kΩ 1/16W J	1	
R721		RK73HB1J473J	MG RESISTOR	47kΩ 1/16W J	1	
R722		RK73HB1J101J	MG RESISTOR	100Ω 1/16W J	1	
R723		RK73HB1J101J	MG RESISTOR	100Ω 1/16W J	1	
R724		RK73HB1J473J	MG RESISTOR	47kΩ 1/16W J	1	
R725		RK73HB1J223J	MG RESISTOR	22kΩ 1/16W J	1	
R726		RK73HB1J753J	MG RESISTOR	75kΩ 1/16W J	1	
R741		RK73GB2A000J	MG RESISTOR	0Ω 1/10W J	1	
R742		RK73GB2A000J	MG RESISTOR	0Ω 1/10W J	1	
R751		RK73HB1J101J	MG RESISTOR	100Ω 1/16W J	1	
R752		RK73HB1J101J	MG RESISTOR	100Ω 1/16W J	1	
R755		RK73HB1J912J	MG RESISTOR	9.1kΩ 1/16W J	1	
R756		RK73HB1J223J	MG RESISTOR	22kΩ 1/16W J	1	
R757		RK73HB1J104J	MG RESISTOR	100kΩ 1/16W J	1	
R783		RK73HB1J473J	MG RESISTOR	47kΩ 1/16W J	1	
R795		RK73HB1J222J	MG RESISTOR	2.2kΩ 1/16W J	1	
R796		RK73HB1J222J	MG RESISTOR	2.2kΩ 1/16W J	1	
R797		RK73HB1J103J	MG RESISTOR	10kΩ 1/16W J	1	
R798		RK73HB1J103J	MG RESISTOR	10kΩ 1/16W J	1	
R808		RK73HB1J000J	MG RESISTOR	0Ω 1/16W J	1	
R809		RK73HB1J000J	MG RESISTOR	0Ω 1/16W J	1	

MODEL	MARK	MODEL	MARK
DDX6702S	K1	DDX6902S	K0

Safe	Symbol No.	Parts No.	Parts Name	Description	QTY	Local	
	R810	RK73FB2B000J	MG RESISTOR	0Ω 1/8W J	1		
	R831	RK73GB2A000J	MG RESISTOR	0Ω 1/10W J	1		
	R832	RK73GB2A000J	MG RESISTOR	0Ω 1/10W J	1		
	R833	RK73GB2A000J	MG RESISTOR	0Ω 1/10W J	1		
	R834	RK73GB2A000J	MG RESISTOR	0Ω 1/10W J	1		
	R843	RK73HB1J473J	MG RESISTOR	47kΩ 1/16W J	1		
	R844	RK73HB1J101J	MG RESISTOR	100Ω 1/16W J	1		
	R851	RK73HB1J473J	MG RESISTOR	47kΩ 1/16W J	1		
	R852	RK73HB1J102J	MG RESISTOR	1kΩ 1/16W J	1		
	R891	RK73GB2A000J	MG RESISTOR	0Ω 1/10W J	1		
	R892	RK73GB2A000J	MG RESISTOR	0Ω 1/10W J	1		
	R901	RK73HB1J471J	MG RESISTOR	470Ω 1/16W J	1		
	R902	RK73HB1J471J	MG RESISTOR	470Ω 1/16W J	1		
	R903	RK73HB1J471J	MG RESISTOR	470Ω 1/16W J	1		
	R904	RK73HB1J471J	MG RESISTOR	470Ω 1/16W J	1		
	R905	RK73HB1J471J	MG RESISTOR	470Ω 1/16W J	1		
	R906	RK73HB1J471J	MG RESISTOR	470Ω 1/16W J	1		
	R921	RK73HB1J102J	MG RESISTOR	1kΩ 1/16W J	1		
	R922	RK73HB1J105J	MG RESISTOR	1MΩ 1/16W J	1		
	R925	RK73GB2A2R2J	MG RESISTOR	2.2Ω 1/10W J	1		
	R926	RK73HB1J101J	MG RESISTOR	100Ω 1/16W J	1		
	R927	RK73HB1J473J	MG RESISTOR	47kΩ 1/16W J	1		
	R928	RK73HB1J101J	MG RESISTOR	100Ω 1/16W J	1		
	R929	RK73HB1J101J	MG RESISTOR	100Ω 1/16W J	1		
	R930	RK73GB2A331J	MG RESISTOR	330Ω 1/10W J	1		
	R931	RK73GB2A2R2J	MG RESISTOR	2.2Ω 1/10W J	1		
	R932	RK73EB2E000J	MG RESISTOR	0Ω 1/4W J	1		
	R941	RK73HB1J102J	MG RESISTOR	1kΩ 1/16W J	1		
	R942	RK73HB1J222J	MG RESISTOR	2.2kΩ 1/16W J	1		
	R951	RK73GB2A000J	MG RESISTOR	0Ω 1/10W J	1		
	R952	RK73GB2A000J	MG RESISTOR	0Ω 1/10W J	1		
	R966	RK73HB1J272J	MG RESISTOR	2.7kΩ 1/16W J	1	K0	
	R971	RK73GB2A2R2J	MG RESISTOR	2.2Ω 1/10W J	1	K0	
	R972	RK73GB2A2R2J	MG RESISTOR	2.2Ω 1/10W J	1	K0	
	R974	RK73HB1J102J	MG RESISTOR	1kΩ 1/16W J	1	K0	
	R975	RK73HB1J100J	MG RESISTOR	10Ω 1/16W J	1	K0	
	R976	RK73HB1J684J	MG RESISTOR	680kΩ 1/16W J	1	K0	
	R2021	RK73HB1J100J	MG RESISTOR	10Ω 1/16W J	1		
	R3003	RK73HB1J473J	MG RESISTOR	47kΩ 1/16W J	1		
	RA581	RK74HB1J470J	NET RESISTOR	47Ω 1/16W J	1		
	RA611	RK74HB1J470J	NET RESISTOR	47Ω 1/16W J	1		
	RA841	RK74HB1J470J	NET RESISTOR	47Ω 1/16W J	1		
	L1	QQR1883-002	CHOKO COIL		1		
	L121	NQLL8EM-100X	INDUCTOR	10uH M	1		
	L141	LR79Z0DE220M	CHIP INDUCTOR	22uH	1		
	L151	NQLL8EM-470X	INDUCTOR	47uH M	1		
	L501	NQR0199-003X	FERRITE BEADS		1		
	L601	NQR0154-005X	FERRITE CORE		1		
	L602	LR73Z0AD4R7M	CHIP INDUCTOR	4.7uH	1		
	L652	LR79Z0AG100M	CHIP INDUCTOR	10uH	1		
	L701	LR73Z0AD4R7M	CHIP INDUCTOR	4.7uH	1		
	L851	LR73Z0AD4R7M	CHIP INDUCTOR	4.7uH	1		
	L961	LK73G0AQ1R0K	M.CHIP INDUCTOR	1uH	1	K0	
	A801	QAU0556-001	TUNER		1		
	CN1	QGA2501C1-02	W TO B CONNE	W-B (1-2)	1		
	CN501	QGF0534F7-60X	FFC/FPC CONNE	FFC/FPC (1-60)	1		
	CN502	QGF0536CA-20W	FFC/FPC CONNE	FFC/FPC (1-20)	1		
	CN591	QGA1002F1-08X	W TO B CONNE	W-B (1-8)	1		
	CN601	QGF0534F7-45X	FFC/FPC CONNE	FFC/FPC (1-45)	1		
	CN651	QGF0534F7-40X	FFC/FPC CONNE	FFC/FPC (1-40)	1		
△	F101	NMFZ032-4R0X-H	FUSE	4A	1		
△	F271	F53-0513-08	PATTERN FUSE	4A	1		
△	F291	F53-0513-08	PATTERN FUSE	4A	1		
△	F761	F53-0513-08	PATTERN FUSE	4A	1		
	J1	QNZ0607-001	CAR CONNECTOR		1		
	J271	QNN0861-001	PIN JACK		1		
	J291	QNS0307-001	3.5 JACK		1		
	J701	QNZ0907-001	CIR CONNECTOR		1		
	TH241	NAD0052-471X	P THERMISTOR	470Ω	1		
	VA271	NAF0045-180X	VARIATOR(ZNR)		1		
	VA272	NAF0045-180X	VARIATOR(ZNR)		1		
	VA273	NAF0045-180X	VARIATOR(ZNR)		1		
	VA274	NAF0045-180X	VARIATOR(ZNR)		1		
	VA275	NAF0045-180X	VARIATOR(ZNR)		1		
	VA277	NAF0045-180X	VARIATOR(ZNR)		1		
	VA295	NAF0046-180X	VARIATOR(ZNR)		1		
	VA296	NAF0046-180X	VARIATOR(ZNR)		1		
	VA297	NAF0046-180X	VARIATOR(ZNR)		1		
	VA400	NAF0024-001X	ESD SUPPRESSOR		1		
	VA701	NAF0045-180X	VARIATOR(ZNR)		1		
	VA702	NAF0045-180X	VARIATOR(ZNR)		1		
	VA703	NAF0045-180X	VARIATOR(ZNR)		1		
	VA711	NAF0044-270X	VARIATOR(ZNR)		1		
	VA712	NAF0044-270X	VARIATOR(ZNR)		1		
	VA713	NAF0045-180X	VARIATOR(ZNR)		1		
	W400	QAM1427-001	CAR CABLE		1		
	X501	NAX1168-001X	CRYSTAL		1		
	X502	L7J-0059-00	QUARTZ CRYSTAL		1		
	X901	NAX1143-001X	CRYSTAL		1		
	SUB PWB ASSY (XJ6-0190-13) <XJ6>						
	IC41	BH7673G-W	IC		1		

MODEL	MARK	MODEL	MARK
DDX6702S	K1	DDX6902S	K0

Safe	Symbol No.	Parts No.	Parts Name	Description	QTY	Local
	IC51	NJM2535V-X	IC		1	
	IC61	NJM2535V-X	IC		1	
	IC62	NJM2561F1	BIPOLAR IC		1	
	IC491	TC7SET08FU-J-X	IC(DIGITAL)		1	
	Q11	LSCR523EBFS8	TRANSISTOR		1	
	Q12	LTA014YEB-X	DIGI TRANSISTOR		1	
	Q13	LSCR523EBFS8	TRANSISTOR		1	
	Q21	LTC024EEB-X	DIGI TRANSISTOR		1	
	Q31	LSCR523EBFS8	TRANSISTOR		1	
	D11	DA2J101	DIODE		1	
	D21	DA2J101	DIODE		1	
	D491	DZ2J056M	ZENER DIODE		1	
	D492	DZ2J056M	ZENER DIODE		1	
	C11	CK73GBB0J225K	C CAPACITOR	2.2uF 6.3V K	1	
	C21	CK73HBB1E103K	C CAPACITOR	0.01uF 25V K	1	
	C31	CK730BU0J106M	C CAPACITOR	10uF 6.3V M	1	
	C41	CK73GBB1C105K	C CAPACITOR	1uF 16V K	1	
	C42	CK73GBB1C105K	C CAPACITOR	1uF 16V K	1	
	C43	CK73HBB1A104K	C CAPACITOR	0.1uF 10V K	1	
	C44	CK730BU0J106M	C CAPACITOR	10uF 6.3V M	1	
	C51	CK73GBB1C105K	C CAPACITOR	1uF 16V K	1	
	C52	CK73GBB1C105K	C CAPACITOR	1uF 16V K	1	
	C53	CK73GBB1C105K	C CAPACITOR	1uF 16V K	1	
	C54	CK73HBB1A104K	C CAPACITOR	0.1uF 10V K	1	
	C61	CK73GBB1C105K	C CAPACITOR	1uF 16V K	1	
	C62	CK73GBB1C105K	C CAPACITOR	1uF 16V K	1	
	C63	CK73GBB1C105K	C CAPACITOR	1uF 16V K	1	
	C64	CK73HBB1A104K	C CAPACITOR	0.1uF 10V K	1	
	C65	CK73HBB1A104K	C CAPACITOR	0.1uF 10V K	1	
	C66	CK73HBB1A104K	C CAPACITOR	0.1uF 10V K	1	
	C67	QETL1AM-477	E CAPACITOR	470uF 10V M	1	
	C112	CK73HBB1H102K	C CAPACITOR	1000pF 50V K	1	
	C113	CK73HBB1H102K	C CAPACITOR	1000pF 50V K	1	
	C122	CK73GBB1C105K	C CAPACITOR	1uF 16V K	1	
	C123	CK73GBB1C105K	C CAPACITOR	1uF 16V K	1	
	C124	CK730BU0J106M	C CAPACITOR	10uF 6.3V M	1	
	C212	CK73HBB1H102K	C CAPACITOR	1000pF 50V K	1	
	C213	CK73HBB1H102K	C CAPACITOR	1000pF 50V K	1	
	C412	CK73HBB1H102K	C CAPACITOR	1000pF 50V K	1	
	C413	CK73HBB1H102K	C CAPACITOR	1000pF 50V K	1	
	C414	CK73HBB1H102K	C CAPACITOR	1000pF 50V K	1	
	C491	CK73GBB1H103K	C CAPACITOR	0.01uF 50V K	1	
	C701	CK730BW0J226M	C CAPACITOR	22uF 6.3V M	1	
	R11	RK73HB1J223J	MG RESISTOR	22kΩ 1/16W J	1	
	R12	RK73HB1J473J	MG RESISTOR	47kΩ 1/16W J	1	
	R13	RK73HB1J223J	MG RESISTOR	22kΩ 1/16W J	1	
	R14	RK73HB1J471J	MG RESISTOR	470Ω 1/16W J	1	
	R15	RK73HB1J473J	MG RESISTOR	47kΩ 1/16W J	1	
	R16	RK73HB1J473J	MG RESISTOR	47kΩ 1/16W J	1	
	R21	RK73GB2A272J	MG RESISTOR	2.7kΩ 1/10W J	1	
	R22	RK73HB1J102J	MG RESISTOR	1kΩ 1/16W J	1	
	R31	RK73HH1J750D	MG RESISTOR	75Ω 1/16W D	1	
	R32	RK73GB2A100J	MG RESISTOR	10Ω 1/10W J	1	
	R33	RK73HB1J303J	MG RESISTOR	30kΩ 1/16W J	1	
	R34	RK73HB1J303J	MG RESISTOR	30kΩ 1/16W J	1	
	R35	RK73HB1J272J	MG RESISTOR	2.7kΩ 1/16W J	1	
	R61	RK73GH2A750D	MG RESISTOR	75Ω 1/10W D	1	
	R63	RK73HH1J201D	MG RESISTOR	200Ω 1/16W D	1	
	R101	RK73GB2A100J	MG RESISTOR	10Ω 1/10W J	1	
	R104	RK73HH1J750D	MG RESISTOR	75Ω 1/16W D	1	
	R112	RK73GB2A100J	MG RESISTOR	10Ω 1/10W J	1	
	R113	RK73GB2A100J	MG RESISTOR	10Ω 1/10W J	1	
	R114	RK73GB2A4R7J	MG RESISTOR	4.7Ω 1/10W J	1	
	R115	RK73HB1J223J	MG RESISTOR	22kΩ 1/16W J	1	
	R116	RK73HB1J223J	MG RESISTOR	22kΩ 1/16W J	1	
	R117	RK73HB1J000J	MG RESISTOR	0Ω 1/16W J	1	
	R118	RK73HB1J000J	MG RESISTOR	0Ω 1/16W J	1	
	R201	RK73GB2A100J	MG RESISTOR	10Ω 1/10W J	1	
	R202	RK73GB2A100J	MG RESISTOR	10Ω 1/10W J	1	
	R203	RK73GB2A620J	MG RESISTOR	62Ω 1/10W J	1	
	R204	RK73HB1J4R7J	MG RESISTOR	4.7Ω 1/16W J	1	
	R212	RK73GB2A100J	MG RESISTOR	10Ω 1/10W J	1	
	R213	RK73GB2A100J	MG RESISTOR	10Ω 1/10W J	1	
	R214	RK73GB2A4R7J	MG RESISTOR	4.7Ω 1/10W J	1	
	R215	RK73HB1J223J	MG RESISTOR	22kΩ 1/16W J	1	
	R216	RK73HB1J223J	MG RESISTOR	22kΩ 1/16W J	1	
	R301	RK73GB2A101J	MG RESISTOR	100Ω 1/10W J	1	
	R302	RK73GB2A101J	MG RESISTOR	100Ω 1/10W J	1	
	R412	RK73GB2A100J	MG RESISTOR	10Ω 1/10W J	1	
	R413	RK73GB2A100J	MG RESISTOR	10Ω 1/10W J	1	
	R414	RK73GB2A4R7J	MG RESISTOR	4.7Ω 1/10W J	1	
	R491	RK73GB2A220J	MG RESISTOR	22Ω 1/10W J	1	
	R492	RK73GB2A220J	MG RESISTOR	22Ω 1/10W J	1	
	R493	RK73HB1J272J	MG RESISTOR	2.7kΩ 1/16W J	1	
	R602	RK73GB2A100J	MG RESISTOR	10Ω 1/10W J	1	
	R611	RK73HB1J000J	MG RESISTOR	0Ω 1/16W J	1	
	R612	RK73HB1J000J	MG RESISTOR	0Ω 1/16W J	1	
	R613	RK73HB1J000J	MG RESISTOR	0Ω 1/16W J	1	
	R901	RK73GB2A000J	MG RESISTOR	0Ω 1/10W J	1	
	R902	RK73HB1J100J	MG RESISTOR	10Ω 1/16W J	1	
	L41	LR73Z0AD4R7M	CHIP INDUCTOR	4.7uH	1	
	CN1	QGF0534F7-20X	FFC/FPC CONNE	FFC/FPC (1-20)	1	
	CN2	QGF0534F7-20X	FFC/FPC CONNE	FFC/FPC (1-20)	1	

MODEL	MARK	MODEL	MARK
DDX6702S	K1	DDX6902S	K0

Safe	Symbol No.	Parts No.	Parts Name	Description	QTY	Local
	CN3	QGA2501C1-03	W TO B CONNE	W-B (1-3)	1	
	CN301	QGA2001C1-02	W TO B CONNE	W-B (1-2)	1	
	CN501	QGA2021F1-04	W TO B CONNE	W-B (1-4)	1	
	CN502	QGA2501C1-02	W TO B CONNE	W-B (1-2)	1	
	CN701	QGA2001C1-02	W TO B CONNE	W-B (1-2)	1	
△	F31	F53-0513-08	PATTERN FUSE	4A	1	
△	F32	F53-0513-08	PATTERN FUSE	4A	1	
△	F101	F53-0513-08	PATTERN FUSE	4A	1	
△	F201	F53-0513-08	PATTERN FUSE	4A	1	
△	F501	F53-0513-08	PATTERN FUSE	4A	1	
△	F502	F53-0513-08	PATTERN FUSE	4A	1	
	J31	QNN0011-002	PIN JACK		1	
	J101	QNS0291-001	3.5 JACK		1	
	J201	QNS0291-001	3.5 JACK		1	
	J301	QNS0307-001	3.5 JACK		1	
	J601	QNS0307-001	3.5 JACK		1	
	VA11	NAF0044-270X	VARIATOR(ZNR)		1	
	VA21	NAF0045-180X	VARIATOR(ZNR)		1	
	VA31	NAF0044-270X	VARIATOR(ZNR)		1	
	VA61	NAF0044-270X	VARIATOR(ZNR)		1	
	VA101	NAF0044-270X	VARIATOR(ZNR)		1	
	VA102	NAF0044-270X	VARIATOR(ZNR)		1	
	VA112	NAF0045-180X	VARIATOR(ZNR)		1	
	VA113	NAF0045-180X	VARIATOR(ZNR)		1	
	VA201	NAF0044-270X	VARIATOR(ZNR)		1	
	VA202	NAF0044-270X	VARIATOR(ZNR)		1	
	VA212	NAF0045-180X	VARIATOR(ZNR)		1	
	VA213	NAF0045-180X	VARIATOR(ZNR)		1	
	VA301	NAF0045-180X	VARIATOR(ZNR)		1	
	VA302	NAF0045-180X	VARIATOR(ZNR)		1	
	VA412	NAF0045-180X	VARIATOR(ZNR)		1	
	VA413	NAF0045-180X	VARIATOR(ZNR)		1	
	VA414	NAF0045-180X	VARIATOR(ZNR)		1	
	VA491	NAF0045-180X	VARIATOR(ZNR)		1	
	VA492	NAF0045-180X	VARIATOR(ZNR)		1	
DIGITAL IO PWB ASSY (XJA-028K-0x) <XJA>						
	IC101	TPS54240-X	ANALOG IC		1	
	IC102	TC7SZ125FUF	MOS IC		1	
	IC103	XC6223H251M-G	ANALOG IC		1	
	IC104	BU18TD3WG-W	IC		1	
	IC105	TPS54240-X	ANALOG IC		1	
	IC106	TC7SZ125FUF	MOS IC		1	
	IC107	R1270S001B-X	IC		1	
	IC108	XC6602B151PG-X	IC		1	
	IC109	XC6602B151PG-X	IC		1	
	IC110	BU12TD3WG-W	IC		1	
	IC111	TC7SH08FU-X	IC(DIGITAL)		1	
	IC401	TC7SG32FU-X	IC		1	
	IC402	TC7SG04FU-X	IC		1	
	IC403	TC7SH17FUF	MOS IC		1	
	IC501	-----	MPU IC	NO SERVICE PART	1	
	IC503	W3F-0087-00	ROM IC		1	
	IC504	TC7SG86FU-X	IC(DIGITAL)		1	
	IC505	TC7SG04FU-X	IC		1	
	IC506	THS8136PHP	MOS IC		1	
	IC507	74AHC1G08GW-X	IC		1	
	IC508	TC7SH17FUF	MOS IC		1	
	IC510	TPS2543RTE	MOS IC		1	
	IC531	-----	IC	NO SERVICE PART	1	
	IC532	-----	IC	NO SERVICE PART	1	
	IC555	-----	MOS IC	NO SERVICE PART	1	
	IC601	BD9876AEFJ-X	IC		1	
	IC604	XC6213B332N-G	MOS IC		1	
	IC701	IT68013FN/BX	MOS IC		1	
	IC702	MF1337S395901	MCU IC		1	
	IC851	BU21023MUV-X	IC		1	
	IC852	BR24T02FV-W	ROM IC		1	
	IC901	AK7738VQ	MOS IC		1	
	IC902	XC6213B332N-G	MOS IC		1	
	IC903	XC6209B502PG-X	IC		1	
	IC904	TC74HCT4053FT	MOS IC		1	
	IC951	NJG1143UA2-W	IC		1	
	IC952	XC6213B332N-G	MOS IC		1	
	Q101	LTC014YEBFS8	DIGI TRANSISTOR		1	
	Q102	LTC014YEBFS8	DIGI TRANSISTOR		1	
	Q108	LTA044EEB-X	SV-TRANSISTOR		1	
	Q604	KMB3D0P30SA-X	MOS FET		1	
	Q605	LTC014YEBFS8	DIGI TRANSISTOR		1	
	Q702	2SK3019-X	MOS FET		1	
	D101	RB080L-30-X	SB DIODE		1	
	D102	RB080L-30-X	SB DIODE		1	
	D103	RB080L-30-X	SB DIODE		1	
	D104	RB080L-30-X	SB DIODE		1	
	D105	RB080L-30-X	SB DIODE		1	
	D106	RB521S-30	SCHOTTKY DIODE		1	
	D107	RB521S-30	SCHOTTKY DIODE		1	
	D602	RB051L-40	SCHOTTKY DIODE		1	
	D704	DA2J101	DIODE		1	
	D706	DA2J101	DIODE		1	
	D707	DA2J101	DIODE		1	
	C101	CK73EXR1E106K	C CAPACITOR	10uF 25V K	1	
	C102	CK73GBB1H104K	C CAPACITOR	0.1uF 50V K	1	

MODEL	MARK	MODEL	MARK
DDX6702S	K1	DDX6902S	K0

Safe	Symbol No.	Parts No.	Parts Name	Description	QTY	Local
	C103	CK73HBB1E103K	C CAPACITOR	0.01uF 25V K	1	
	C104	CK73GBB1H104K	C CAPACITOR	0.1uF 50V K	1	
	C105	CK73HBB1H332K	C CAPACITOR	3300pF 50V K	1	
	C106	CK73HBB1E103K	C CAPACITOR	0.01uF 25V K	1	
	C107	CK73GBB1H104K	C CAPACITOR	0.1uF 50V K	1	
	C108	CK73EXR0J476M	C CAPACITOR	47uF 6.3V M	1	
	C109	CK73EXR0J476M	C CAPACITOR	47uF 6.3V M	1	
	C110	CK73HBB1A104K	C CAPACITOR	0.1uF 10V K	1	
	C111	CK73HBB1E103K	C CAPACITOR	0.01uF 25V K	1	
	C112	CK73HBB1H332K	C CAPACITOR	3300pF 50V K	1	
	C113	CK73HXR0J105K	C CAPACITOR	1uF 6.3V K	1	
	C114	CK73GBB1H104K	C CAPACITOR	0.1uF 50V K	1	
	C115	CK73FBB0J106K	C CAPACITOR	10uF 6.3V K	1	
	C116	CK73HXR0J105K	C CAPACITOR	1uF 6.3V K	1	
	C117	CK73GBB1H104K	C CAPACITOR	0.1uF 50V K	1	
	C118	CK73FBB0J106K	C CAPACITOR	10uF 6.3V K	1	
	C119	CK73EXR1E106K	C CAPACITOR	10uF 25V K	1	
	C120	CK73GBB1H104K	C CAPACITOR	0.1uF 50V K	1	
	C121	CK73HBB1E103K	C CAPACITOR	0.01uF 25V K	1	
	C122	CK73GBB1H104K	C CAPACITOR	0.1uF 50V K	1	
	C124	CK73HBB1A104K	C CAPACITOR	0.1uF 10V K	1	
	C125	CK73HBB1E103K	C CAPACITOR	0.01uF 25V K	1	
	C126	CK73HBB1H332K	C CAPACITOR	3300pF 50V K	1	
	C127	CK73HBB1E103K	C CAPACITOR	0.01uF 25V K	1	
	C128	CK73GBB1H104K	C CAPACITOR	0.1uF 50V K	1	
	C129	CK73EXR0J476M	C CAPACITOR	47uF 6.3V M	1	
	C130	CK73EXR0J476M	C CAPACITOR	47uF 6.3V M	1	
	C131	CK73EXR1E106K	C CAPACITOR	10uF 25V K	1	
	C132	CK73GBB1H104K	C CAPACITOR	0.1uF 50V K	1	
	C133	CK73HBB1E103K	C CAPACITOR	0.01uF 25V K	1	
	C134	CK73HBB1E103K	C CAPACITOR	0.01uF 25V K	1	
	C135	CK73FBB1E474K	C CAPACITOR	0.47uF 25V K	1	
	C136	CK73HCH1H221J	C CAPACITOR	220pF 50V J	1	
	C137	CK73HCH1H471J	C CAPACITOR	470pF 50V J	1	
	C138	CK73HCH1H471J	C CAPACITOR	470pF 50V J	1	
	C139	CK73HBB1E103K	C CAPACITOR	0.01uF 25V K	1	
	C140	CK73GBB1H104K	C CAPACITOR	0.1uF 50V K	1	
	C141	CK73EXR1C226M	C CAPACITOR	22uF 16V M	1	
	C142	CK73EXR1C226M	C CAPACITOR	22uF 16V M	1	
	C143	CK73HXR0J105K	C CAPACITOR	1uF 6.3V K	1	
	C144	CK73GBB1H104K	C CAPACITOR	0.1uF 50V K	1	
	C145	CK73HXR0J105K	C CAPACITOR	1uF 6.3V K	1	
	C146	CK73FBB0J106K	C CAPACITOR	10uF 6.3V K	1	
	C147	CK73GBB1H104K	C CAPACITOR	0.1uF 50V K	1	
	C148	CK73HXR0J105K	C CAPACITOR	1uF 6.3V K	1	
	C149	CK73GBB1H104K	C CAPACITOR	0.1uF 50V K	1	
	C150	CK73HXR0J105K	C CAPACITOR	1uF 6.3V K	1	
	C151	CK73FBB0J106K	C CAPACITOR	10uF 6.3V K	1	
	C152	CK73GBB1H104K	C CAPACITOR	0.1uF 50V K	1	
	C153	CK73HXR0J105K	C CAPACITOR	1uF 6.3V K	1	
	C154	CK73GBB1H104K	C CAPACITOR	0.1uF 50V K	1	
	C155	CK73FBB0J106K	C CAPACITOR	10uF 6.3V K	1	
	C156	CK73GBB1H104K	C CAPACITOR	0.1uF 50V K	1	
	C157	CK73HBB1H332K	C CAPACITOR	3300pF 50V K	1	
	C158	CK73GXR0J106M	C CAPACITOR	10uF 6.3V M	1	
	C161	NEZ0067-477X	E CAPACITOR	470uF	1	
	C162	CE32CC1C221M	E CAPACITOR	220uF 16V M	1	
	C401	CK73HBB1A104K	C CAPACITOR	0.1uF 10V K	1	
	C402	CK73HBB1A104K	C CAPACITOR	0.1uF 10V K	1	
	C404	CK73HBB1A104K	C CAPACITOR	0.1uF 10V K	1	
	C501	CK73HBB1A104K	C CAPACITOR	0.1uF 10V K	1	
	C502	CK73HBB1A104K	C CAPACITOR	0.1uF 10V K	1	
	C507	CK73HBB1A104K	C CAPACITOR	0.1uF 10V K	1	
	C509	CK73HBB1A104K	C CAPACITOR	0.1uF 10V K	1	
	C510	CK73HBB1A104K	C CAPACITOR	0.1uF 10V K	1	
	C513	CK73HBB1A104K	C CAPACITOR	0.1uF 10V K	1	
	C514	CK73HBB1A104K	C CAPACITOR	0.1uF 10V K	1	
	C515	CK73HBB1A104K	C CAPACITOR	0.1uF 10V K	1	
	C520	CK73HBB1A104K	C CAPACITOR	0.1uF 10V K	1	
	C521	CK73HBB1A104K	C CAPACITOR	0.1uF 10V K	1	
	C522	CK73HBB1A104K	C CAPACITOR	0.1uF 10V K	1	
	C523	CK73HBB1A104K	C CAPACITOR	0.1uF 10V K	1	
	C524	CK73HBB1A104K	C CAPACITOR	0.1uF 10V K	1	
	C525	CK73HBB1A104K	C CAPACITOR	0.1uF 10V K	1	
	C526	CK73HBB1A104K	C CAPACITOR	0.1uF 10V K	1	
	C527	CK73HBB1A104K	C CAPACITOR	0.1uF 10V K	1	
	C528	CK73HBB1A104K	C CAPACITOR	0.1uF 10V K	1	
	C529	CK73HBB1A104K	C CAPACITOR	0.1uF 10V K	1	
	C531	CK73HBB1A104K	C CAPACITOR	0.1uF 10V K	1	
	C532	CK73HBB1A104K	C CAPACITOR	0.1uF 10V K	1	
	C533	CK73HBB1A104K	C CAPACITOR	0.1uF 10V K	1	
	C534	CK73HBB1A104K	C CAPACITOR	0.1uF 10V K	1	
	C535	CK73HBB1A104K	C CAPACITOR	0.1uF 10V K	1	
	C536	CK73HBB1A104K	C CAPACITOR	0.1uF 10V K	1	
	C538	CK73HBB1A104K	C CAPACITOR	0.1uF 10V K	1	
	C539	CK73HBB1A104K	C CAPACITOR	0.1uF 10V K	1	
	C540	CK73HBB1A104K	C CAPACITOR	0.1uF 10V K	1	
	C548	CK73HBB1A104K	C CAPACITOR	0.1uF 10V K	1	
	C549	CK73HBB1A104K	C CAPACITOR	0.1uF 10V K	1	
	C550	CK73HBB1E103K	C CAPACITOR	0.01uF 25V K	1	
	C554	CK73HBB1A104K	C CAPACITOR	0.1uF 10V K	1	
	C555	CK73HBB1A104K	C CAPACITOR	0.1uF 10V K	1	

MODEL	MARK	MODEL	MARK
DDX6702S	K1	DDX6902S	K0

Safe	Symbol No.	Parts No.	Parts Name	Description	QTY	Local
	C558	CK73HBB1A104K	C CAPACITOR	0.1uF 10V K	1	
	C561	CK73HBB1A104K	C CAPACITOR	0.1uF 10V K	1	
	C563	CK73HBB1A104K	C CAPACITOR	0.1uF 10V K	1	
	C565	CK73HBB1A104K	C CAPACITOR	0.1uF 10V K	1	
	C566	CK73HBB1A104K	C CAPACITOR	0.1uF 10V K	1	
	C567	CK73HBB1A104K	C CAPACITOR	0.1uF 10V K	1	
	C568	CK73HBB1A104K	C CAPACITOR	0.1uF 10V K	1	
	C569	CK73HBB1A104K	C CAPACITOR	0.1uF 10V K	1	
	C570	CK73HBB1A104K	C CAPACITOR	0.1uF 10V K	1	
	C571	CK73HBB1A104K	C CAPACITOR	0.1uF 10V K	1	
	C572	CK73HBB1A104K	C CAPACITOR	0.1uF 10V K	1	
	C573	CK73HBB1A104K	C CAPACITOR	0.1uF 10V K	1	
	C575	CK73HBB1A104K	C CAPACITOR	0.1uF 10V K	1	
	C576	CK73HBB1A104K	C CAPACITOR	0.1uF 10V K	1	
	C578	CK73HBB1A104K	C CAPACITOR	0.1uF 10V K	1	
	C579	CK73HBB1A104K	C CAPACITOR	0.1uF 10V K	1	
	C582	CK73HBB1A104K	C CAPACITOR	0.1uF 10V K	1	
	C583	CK73HBB1A104K	C CAPACITOR	0.1uF 10V K	1	
	C584	CK73HBB1A104K	C CAPACITOR	0.1uF 10V K	1	
	C601	CE32CB0J331M	E CAPACITOR	330uF 6.3V M	1	
	C603	CK73FBB0J106K	C CAPACITOR	10uF 6.3V K	1	
	C604	CK73HBB1H102K	C CAPACITOR	1000pF 50V K	1	
	C606	CK73HBB1H682K	C CAPACITOR	6800pF 50V K	1	
	C607	CK73HBB1C104K	C CAPACITOR	0.1uF 16V K	1	
	C608	CK73EXR1E106K	C CAPACITOR	10uF 25V K	1	
	C631	CK73FBB0J106K	C CAPACITOR	10uF 6.3V K	1	
	C632	CK73HBB1A104K	C CAPACITOR	0.1uF 10V K	1	
	C633	CK73FBB0J106K	C CAPACITOR	10uF 6.3V K	1	
	C634	CK73HBB1A104K	C CAPACITOR	0.1uF 10V K	1	
	C635	CK73HBB1A104K	C CAPACITOR	0.1uF 10V K	1	
	C636	CK73HBB1A104K	C CAPACITOR	0.1uF 10V K	1	
	C637	CK73HBB1A104K	C CAPACITOR	0.1uF 10V K	1	
	C638	CK73HBB1A104K	C CAPACITOR	0.1uF 10V K	1	
	C639	CK73HBB1A104K	C CAPACITOR	0.1uF 10V K	1	
	C641	CK73HXR0J105K	C CAPACITOR	1uF 6.3V K	1	
	C642	CK73HXR0J105K	C CAPACITOR	1uF 6.3V K	1	
	C653	CK73HBB1C473K	C CAPACITOR	0.047uF 16V K	1	
	C700	CK73HBB1A104K	C CAPACITOR	0.1uF 10V K	1	
	C701	CC73HCH1H470J	C CAPACITOR	47pF 50V J	1	
	C702	CK73HBB1A104K	C CAPACITOR	0.1uF 10V K	1	
	C703	CC73HCH1H470J	C CAPACITOR	47pF 50V J	1	
	C704	CK73HBB1A104K	C CAPACITOR	0.1uF 10V K	1	
	C705	CK73HBB1A104K	C CAPACITOR	0.1uF 10V K	1	
	C706	CK73HBB1H102K	C CAPACITOR	1000pF 50V K	1	
	C707	CK73HBB1A104K	C CAPACITOR	0.1uF 10V K	1	
	C708	CK73HBB1A104K	C CAPACITOR	0.1uF 10V K	1	
	C709	CK73HBB1A104K	C CAPACITOR	0.1uF 10V K	1	
	C710	CK73HBB1A104K	C CAPACITOR	0.1uF 10V K	1	
	C711	CK73HBB1A104K	C CAPACITOR	0.1uF 10V K	1	
	C712	CK73HBB1A104K	C CAPACITOR	0.1uF 10V K	1	
	C713	CK73HBB1A104K	C CAPACITOR	0.1uF 10V K	1	
	C714	CK73HBB1A104K	C CAPACITOR	0.1uF 10V K	1	
	C715	CK73HBB1A104K	C CAPACITOR	0.1uF 10V K	1	
	C716	CK73HBB1A104K	C CAPACITOR	0.1uF 10V K	1	
	C717	CK73HBB1A104K	C CAPACITOR	0.1uF 10V K	1	
	C718	CC73HCH1H080D	C CAPACITOR	8pF 50V D	1	
	C719	CC73HCH1H080D	C CAPACITOR	8pF 50V D	1	
	C720	CK73HBB1A104K	C CAPACITOR	0.1uF 10V K	1	
	C721	CK73HBB1A104K	C CAPACITOR	0.1uF 10V K	1	
	C722	CK73HBB1A104K	C CAPACITOR	0.1uF 10V K	1	
	C723	CK73HBB1H102K	C CAPACITOR	1000pF 50V K	1	
	C743	CK73HBB1C473K	C CAPACITOR	0.047uF 16V K	1	
	C757	CK73HBB1A104K	C CAPACITOR	0.1uF 10V K	1	
	C780	CK73HBB1A104K	C CAPACITOR	0.1uF 10V K	1	
	C782	CK73HBB1H102K	C CAPACITOR	1000pF 50V K	1	
	C831	CK73GXR0J106M	C CAPACITOR	10uF 6.3V M	1	
	C852	CK73HBB1E103K	C CAPACITOR	0.01uF 25V K	1	
	C853	CK73HBB1A104K	C CAPACITOR	0.1uF 10V K	1	
	C854	CK73HXR0J105K	C CAPACITOR	1uF 6.3V K	1	
	C855	CK73HXR0J105K	C CAPACITOR	1uF 6.3V K	1	
	C856	CK73HBB1A104K	C CAPACITOR	0.1uF 10V K	1	
	C857	CK73HBB1A104K	C CAPACITOR	0.1uF 10V K	1	
	C901	CK73GBB1A105K	C CAPACITOR	1uF 10V K	1	
	C902	CK73HXR0J105K	C CAPACITOR	1uF 6.3V K	1	
	C903	CK73FBB0J106K	C CAPACITOR	10uF 6.3V K	1	
	C904	CK73HXR0J105K	C CAPACITOR	1uF 6.3V K	1	
	C905	CK73FBB0J106K	C CAPACITOR	10uF 6.3V K	1	
	C906	CK73HBB1A104K	C CAPACITOR	0.1uF 10V K	1	
	C907	CK73GBB0J225K	C CAPACITOR	2.2uF 6.3V K	1	
	C908	CK73FBB0J106K	C CAPACITOR	10uF 6.3V K	1	
	C909	CK73HBB1A104K	C CAPACITOR	0.1uF 10V K	1	
	C910	CK73GXR0J106M	C CAPACITOR	10uF 6.3V M	1	
	C911	CK73HBB1A104K	C CAPACITOR	0.1uF 10V K	1	
	C912	CK73GXR0J106M	C CAPACITOR	10uF 6.3V M	1	
	C913	CK73HBB1A104K	C CAPACITOR	0.1uF 10V K	1	
	C914	CC73HCH1H120J	C CAPACITOR	12pF 50V J	1	
	C915	CC73HCH1H120J	C CAPACITOR	12pF 50V J	1	
	C916	CK73GXR0J106M	C CAPACITOR	10uF 6.3V M	1	
	C917	CK73HBB1A104K	C CAPACITOR	0.1uF 10V K	1	
	C918	CK73GXR0J106M	C CAPACITOR	10uF 6.3V M	1	
	C919	CK73HBB1A104K	C CAPACITOR	0.1uF 10V K	1	
	C920	CK73GBB0J225K	C CAPACITOR	2.2uF 6.3V K	1	

MODEL	MARK	MODEL	MARK
DDX6702S	K1	DDX6902S	K0

Safe	Symbol No.	Parts No.	Parts Name	Description	QTY	Local
	C921	CK73HBB1A104K	C CAPACITOR	0.1uF 10V K	1	
	C922	CK73HBB1A104K	C CAPACITOR	0.1uF 10V K	1	
	C927	CK73HBB1C223K	C CAPACITOR	0.022uF 16V K	1	
	C928	CK73HBB1C223K	C CAPACITOR	0.022uF 16V K	1	
	C931	CK73HBB1H222K	C CAPACITOR	2200pF 50V K	1	
	C932	CK73HBB1H222K	C CAPACITOR	2200pF 50V K	1	
	C933	CK73HBB1H222K	C CAPACITOR	2200pF 50V K	1	
	C934	CK73HBB1H222K	C CAPACITOR	2200pF 50V K	1	
	C935	CK73HBB1H222K	C CAPACITOR	2200pF 50V K	1	
	C936	CK73HBB1H222K	C CAPACITOR	2200pF 50V K	1	
	C937	CK73HBB1H222K	C CAPACITOR	2200pF 50V K	1	
	C938	CK73HBB1H222K	C CAPACITOR	2200pF 50V K	1	
	C939	CK73GBB1C105K	C CAPACITOR	1uF 16V K	1	
	C940	CK73GBB1C105K	C CAPACITOR	1uF 16V K	1	
	C941	CK73GBB1C105K	C CAPACITOR	1uF 16V K	1	
	C942	CK73GBB1A105K	C CAPACITOR	1uF 10V K	1	
	C943	CK73HBB1A104K	C CAPACITOR	0.1uF 10V K	1	
	C953	CC73HCH1H470J	C CAPACITOR	47pF 50V J	1	
	C954	NDCA1HG-2R7W	C CAPACITOR	2.7pF 50V G	1	
	C955	CK73HXR0J105K	C CAPACITOR	1uF 6.3V K	1	
	C956	CK73GBB1A105K	C CAPACITOR	1uF 10V K	1	
	C957	CK73HXR0J105K	C CAPACITOR	1uF 6.3V K	1	
	C958	CK73HBB1E103K	C CAPACITOR	0.01uF 25V K	1	
	C959	CC73HCH1H102J	C CAPACITOR	1000pF 50V J	1	
	C960	CC73HCH1H100D	C CAPACITOR	10pF 50V D	1	
	C961	CK73GBB0J225K	C CAPACITOR	2.2uF 6.3V K	1	
	C962	CK73HXR0J105K	C CAPACITOR	1uF 6.3V K	1	
	C963	CK73HXR0J105K	C CAPACITOR	1uF 6.3V K	1	
	C964	CK73HXR0J105K	C CAPACITOR	1uF 6.3V K	1	
	C965	CK73HBB1H102K	C CAPACITOR	1000pF 50V K	1	
	C966	CC73HCH1H060D	C CAPACITOR	6pF 50V D	1	
	C967	CC73HCH1H060D	C CAPACITOR	6pF 50V D	1	
	C969	CC73HCH1H020C	C CAPACITOR	2pF 50V C	1	
	C970	CK73HXR0J105K	C CAPACITOR	1uF 6.3V K	1	
	C982	CK73FBB0J106K	C CAPACITOR	10uF 6.3V K	1	
	C983	CK73FBB0J106K	C CAPACITOR	10uF 6.3V K	1	
	C5001	NCJ41CK-476X-A	C CAPACITOR	47uF 16V K	1	
	C5002	NCJ41CK-476X-A	C CAPACITOR	47uF 16V K	1	
	C5003	NCJ41CK-476X-A	C CAPACITOR	47uF 16V K	1	
	C5014	CK73HBB1A104K	C CAPACITOR	0.1uF 10V K	1	
	C5016	CK73HBB1A104K	C CAPACITOR	0.1uF 10V K	1	
	C5019	CK73HBB1A104K	C CAPACITOR	0.1uF 10V K	1	
	C5023	CK73HBB1A104K	C CAPACITOR	0.1uF 10V K	1	
	C5048	CK73HBB1A104K	C CAPACITOR	0.1uF 10V K	1	
	C5049	CK73HBB1A104K	C CAPACITOR	0.1uF 10V K	1	
	C5056	CK73HBB1A104K	C CAPACITOR	0.1uF 10V K	1	
	C5070	CK73HBB1A104K	C CAPACITOR	0.1uF 10V K	1	
	C5073	CK73HBB1A104K	C CAPACITOR	0.1uF 10V K	1	
	C5074	CK73HBB1A104K	C CAPACITOR	0.1uF 10V K	1	
	C5077	CK73HBB1A104K	C CAPACITOR	0.1uF 10V K	1	
	C5078	CK73HBB1A104K	C CAPACITOR	0.1uF 10V K	1	
	C5079	CC73HCH1H100D	C CAPACITOR	10pF 50V D	1	
	C5080	CC73HCH1H100D	C CAPACITOR	10pF 50V D	1	
	C5081	CC73HCH1H120J	C CAPACITOR	12pF 50V J	1	
	C5082	CC73HCH1H100D	C CAPACITOR	10pF 50V D	1	
	C5083	CK73HBB1A104K	C CAPACITOR	0.1uF 10V K	1	
	C5084	CK73HBB1A104K	C CAPACITOR	0.1uF 10V K	1	
	C5085	CK73HBB1A104K	C CAPACITOR	0.1uF 10V K	1	
	C5086	CK73HBB1A104K	C CAPACITOR	0.1uF 10V K	1	
	C5087	CC73HCH1H101J	C CAPACITOR	100pF 50V J	1	
	C5088	CC73HCH1H101J	C CAPACITOR	100pF 50V J	1	
	C5089	CK73FBB0J106K	C CAPACITOR	10uF 6.3V K	1	
	C5090	CK73FBB0J106K	C CAPACITOR	10uF 6.3V K	1	
	C5091	CK73GBB1H104K	C CAPACITOR	0.1uF 50V K	1	
	C5201	NCJ41CK-476X-A	C CAPACITOR	47uF 16V K	1	
	C5202	CK73HBB1A104K	C CAPACITOR	0.1uF 10V K	1	
	C5203	CK73HBB1A104K	C CAPACITOR	0.1uF 10V K	1	
	C5204	CK73HBB1A104K	C CAPACITOR	0.1uF 10V K	1	
	C5301	NCJ41CK-476X-A	C CAPACITOR	47uF 16V K	1	
	C5302	CC73HCH1H181J	C CAPACITOR	180pF 50V J	1	
	C5303	CK73HBB1A104K	C CAPACITOR	0.1uF 10V K	1	
	C5304	CC73HCH1H181J	C CAPACITOR	180pF 50V J	1	
	C5305	CK73HBB1A104K	C CAPACITOR	0.1uF 10V K	1	
	C5306	CC73HCH1H181J	C CAPACITOR	180pF 50V J	1	
	C5307	CK73HBB1A104K	C CAPACITOR	0.1uF 10V K	1	
	C5308	CC73HCH1H181J	C CAPACITOR	180pF 50V J	1	
	C5309	CK73HBB1A104K	C CAPACITOR	0.1uF 10V K	1	
	C5311	CK73HBB1A104K	C CAPACITOR	0.1uF 10V K	1	
	C5312	CC73HCH1H181J	C CAPACITOR	180pF 50V J	1	
	C5313	CK73HBB1A104K	C CAPACITOR	0.1uF 10V K	1	
	C5314	CC73HCH1H181J	C CAPACITOR	180pF 50V J	1	
	C5315	CK73HBB1A104K	C CAPACITOR	0.1uF 10V K	1	
	C5316	CC73HCH1H181J	C CAPACITOR	180pF 50V J	1	
	C5317	CC73HCH1H181J	C CAPACITOR	180pF 50V J	1	
	C5318	CK73HBB1A104K	C CAPACITOR	0.1uF 10V K	1	
	C5319	CK73HBB1A104K	C CAPACITOR	0.1uF 10V K	1	
	C5320	CC73HCH1H181J	C CAPACITOR	180pF 50V J	1	
	C5321	CC73HCH1H181J	C CAPACITOR	180pF 50V J	1	
	C5322	CK73HBB1A104K	C CAPACITOR	0.1uF 10V K	1	
	C5323	CK73HBB1A104K	C CAPACITOR	0.1uF 10V K	1	
	C5324	CK73HBB1A104K	C CAPACITOR	0.1uF 10V K	1	
	C5325	CK73HBB1A104K	C CAPACITOR	0.1uF 10V K	1	
	C5326	CK73HBB1A104K	C CAPACITOR	0.1uF 10V K	1	

MODEL	MARK	MODEL	MARK
DDX6702S	K1	DDX6902S	K0

Safe	Symbol No.	Parts No.	Parts Name	Description	QTY	Local
	C5327	CK73HBB1A104K	C CAPACITOR	0.1uF 10V K	1	
	C5328	CK73HBB1A104K	C CAPACITOR	0.1uF 10V K	1	
	C5329	CK73HBB1A104K	C CAPACITOR	0.1uF 10V K	1	
	C5330	CC73HCH1H181J	C CAPACITOR	180pF 50V J	1	
	C5331	CK73HBB1A104K	C CAPACITOR	0.1uF 10V K	1	
	C5332	CC73HCH1H181J	C CAPACITOR	180pF 50V J	1	
	C5333	CK73HBB1A104K	C CAPACITOR	0.1uF 10V K	1	
	C5334	CC73HCH1H181J	C CAPACITOR	180pF 50V J	1	
	C5335	CK73HBB1A104K	C CAPACITOR	0.1uF 10V K	1	
	C5336	CC73HCH1H181J	C CAPACITOR	180pF 50V J	1	
	C5337	CK73HBB1A104K	C CAPACITOR	0.1uF 10V K	1	
	C5338	CC73HCH1H181J	C CAPACITOR	180pF 50V J	1	
	C5339	CK73HBB1A104K	C CAPACITOR	0.1uF 10V K	1	
	C5340	CC73HCH1H181J	C CAPACITOR	180pF 50V J	1	
	C5341	CK73HBB1A104K	C CAPACITOR	0.1uF 10V K	1	
	C5342	CC73HCH1H181J	C CAPACITOR	180pF 50V J	1	
	C5343	CK73HBB1A104K	C CAPACITOR	0.1uF 10V K	1	
	C5344	CC73HCH1H181J	C CAPACITOR	180pF 50V J	1	
	C5345	CK73HBB1A104K	C CAPACITOR	0.1uF 10V K	1	
	C5346	CC73HCH1H181J	C CAPACITOR	180pF 50V J	1	
	C5347	CK73HBB1A104K	C CAPACITOR	0.1uF 10V K	1	
	C5348	CC73HCH1H181J	C CAPACITOR	180pF 50V J	1	
	C5349	CC73HCH1H181J	C CAPACITOR	180pF 50V J	1	
	C5350	CC73HCH1H181J	C CAPACITOR	180pF 50V J	1	
	C5351	CC73HCH1H181J	C CAPACITOR	180pF 50V J	1	
	C5352	CK73HBB1A104K	C CAPACITOR	0.1uF 10V K	1	
	C5353	CC73HCH1H181J	C CAPACITOR	180pF 50V J	1	
	C5354	CK73HBB1A104K	C CAPACITOR	0.1uF 10V K	1	
	C5355	CC73HCH1H181J	C CAPACITOR	180pF 50V J	1	
	C5356	CK73HBB1A104K	C CAPACITOR	0.1uF 10V K	1	
	C5357	CC73HCH1H181J	C CAPACITOR	180pF 50V J	1	
	C5358	CK73HBB1A104K	C CAPACITOR	0.1uF 10V K	1	
	C5359	CK73HBB1A104K	C CAPACITOR	0.1uF 10V K	1	
	C5360	CK73HBB1A104K	C CAPACITOR	0.1uF 10V K	1	
	C5361	CK73HBB1A104K	C CAPACITOR	0.1uF 10V K	1	
	C5362	CK73HBB1A104K	C CAPACITOR	0.1uF 10V K	1	
	C5363	CK73HBB1A104K	C CAPACITOR	0.1uF 10V K	1	
	C5364	CK73HBB1A104K	C CAPACITOR	0.1uF 10V K	1	
	C5365	CC73HCH1H181J	C CAPACITOR	180pF 50V J	1	
	C5366	CK73HBB1A104K	C CAPACITOR	0.1uF 10V K	1	
	C5367	CC73HCH1H181J	C CAPACITOR	180pF 50V J	1	
	C5368	CK73HBB1A104K	C CAPACITOR	0.1uF 10V K	1	
	C5369	CC73HCH1H181J	C CAPACITOR	180pF 50V J	1	
	C5370	CC73HCH1H181J	C CAPACITOR	180pF 50V J	1	
	C5372	CK73HBB1A104K	C CAPACITOR	0.1uF 10V K	1	
	C5373	CC73HCH1H181J	C CAPACITOR	180pF 50V J	1	
	C5374	CK73HBB1A104K	C CAPACITOR	0.1uF 10V K	1	
	C5375	CC73HCH1H181J	C CAPACITOR	180pF 50V J	1	
	C5376	CK73HBB1A104K	C CAPACITOR	0.1uF 10V K	1	
	C5377	CC73HCH1H181J	C CAPACITOR	180pF 50V J	1	
	C5378	CK73HBB1A104K	C CAPACITOR	0.1uF 10V K	1	
	C5379	CC73HCH1H181J	C CAPACITOR	180pF 50V J	1	
	C5380	CK73HBB1A104K	C CAPACITOR	0.1uF 10V K	1	
	C5381	CC73HCH1H181J	C CAPACITOR	180pF 50V J	1	
	C5382	CC73HCH1H181J	C CAPACITOR	180pF 50V J	1	
	C5383	CK73HBB1A104K	C CAPACITOR	0.1uF 10V K	1	
	C5551	CK73HBB1C104K	C CAPACITOR	0.1uF 16V K	1	
	C5552	CK73HBB1C104K	C CAPACITOR	0.1uF 16V K	1	
	C5553	CK73HBB1C104K	C CAPACITOR	0.1uF 16V K	1	
	C5554	CK73HBB1C104K	C CAPACITOR	0.1uF 16V K	1	
	C5556	CK73HBB1C104K	C CAPACITOR	0.1uF 16V K	1	
	C5557	CK73HBB1C104K	C CAPACITOR	0.1uF 16V K	1	
	C5558	CK73HBB1C104K	C CAPACITOR	0.1uF 16V K	1	
	C5559	CK73HBB1C104K	C CAPACITOR	0.1uF 16V K	1	
	C5560	CK73HBB1C104K	C CAPACITOR	0.1uF 16V K	1	
	C5561	CK73HBB1C104K	C CAPACITOR	0.1uF 16V K	1	
	C5562	CK73HBB1C104K	C CAPACITOR	0.1uF 16V K	1	
	C5563	CK73GXR0J106M	C CAPACITOR	10uF 6.3V M	1	
	C5565	CK73GXR0J106M	C CAPACITOR	10uF 6.3V M	1	
	C5566	CK73GXR0J106M	C CAPACITOR	10uF 6.3V M	1	
	C5567	CK73GXR0J106M	C CAPACITOR	10uF 6.3V M	1	
	C5568	CK73GXR0J106M	C CAPACITOR	10uF 6.3V M	1	
	C5569	CK73GXR0J106M	C CAPACITOR	10uF 6.3V M	1	
	C5570	CK73GXR0J106M	C CAPACITOR	10uF 6.3V M	1	
	C5571	CK73GXR0J106M	C CAPACITOR	10uF 6.3V M	1	
	C5572	CK73HBB1C103K	C CAPACITOR	0.01uF 16V K	1	
	C5573	CK73HBB1C103K	C CAPACITOR	0.01uF 16V K	1	
	C5574	CK73HBB1C103K	C CAPACITOR	0.01uF 16V K	1	
	C5575	CK73HBB1C103K	C CAPACITOR	0.01uF 16V K	1	
	C5576	CK73HBB1H102K	C CAPACITOR	1000pF 50V K	1	
	C5577	CK73HBB1H102K	C CAPACITOR	1000pF 50V K	1	
	C5578	CK73HBB1H102K	C CAPACITOR	1000pF 50V K	1	
	C5579	CK73GBB1C105K	C CAPACITOR	1uF 16V K	1	
	C5580	CK73GBB1C105K	C CAPACITOR	1uF 16V K	1	
	C5581	CK73GBB1C105K	C CAPACITOR	1uF 16V K	1	
	C5582	CK73GBB1C105K	C CAPACITOR	1uF 16V K	1	
	C5583	CK73GBB1C105K	C CAPACITOR	1uF 16V K	1	
	C5584	CC73HCH1H100D	C CAPACITOR	10pF 50V D	1	
	C5585	CC73HCH1H120J	C CAPACITOR	12pF 50V J	1	
	C5587	CK73GBB1C105K	C CAPACITOR	1uF 16V K	1	
	C5588	CK73GBB1C105K	C CAPACITOR	1uF 16V K	1	
	C5589	CK73HBB1C104K	C CAPACITOR	0.1uF 16V K	1	

MODEL	MARK	MODEL	MARK
DDX6702S	K1	DDX6902S	K0

Safe	Symbol No.	Parts No.	Parts Name	Description	QTY	Local
	C5590	CK73GBB1C105K	C CAPACITOR	1uF 16V K	1	
	C5591	CK73GXR0J106M	C CAPACITOR	10uF 6.3V M	1	
	C5592	CK73GXR0J106M	C CAPACITOR	10uF 6.3V M	1	
	C5593	CK73GXR0J106M	C CAPACITOR	10uF 6.3V M	1	
	C5594	CK73GXR0J106M	C CAPACITOR	10uF 6.3V M	1	
	C5595	CK73HBB1C104K	C CAPACITOR	0.1uF 16V K	1	
	R101	RK73HB1J101J	MG RESISTOR	100Ω 1/16W J	1	
	R102	RK73HB1J223J	MG RESISTOR	22kΩ 1/16W J	1	
	R105	RK73HB1J101J	MG RESISTOR	100Ω 1/16W J	1	
	R107	RK73HB1J274J	MG RESISTOR	270kΩ 1/16W J	1	
	R108	RK73HB1J113J	MG RESISTOR	11kΩ 1/16W J	1	
	R109	RK73HB1J163J	MG RESISTOR	16kΩ 1/16W J	1	
	R110	RK73PB2H160J	MG RESISTOR	16Ω 1/2W J	1	
	R111	RK73HH1J103D	MG RESISTOR	10kΩ 1/16W D	1	
	R112	RK73HH1J561D	MG RESISTOR	560Ω 1/16W D	1	
	R113	RK73HH1J333D	MG RESISTOR	33kΩ 1/16W D	1	
	R114	RK73HB1J000J	MG RESISTOR	0Ω 1/16W J	1	
	R117	RK73FB2B000J	MG RESISTOR	0Ω 1/8W J	1	
	R118	RK73FB2B000J	MG RESISTOR	0Ω 1/8W J	1	
	R120	RK73HB1J000J	MG RESISTOR	0Ω 1/16W J	1	
	R121	RK73HB1J000J	MG RESISTOR	0Ω 1/16W J	1	
	R122	RK73HB1J101J	MG RESISTOR	100Ω 1/16W J	1	
	R123	RK73HB1J101J	MG RESISTOR	100Ω 1/16W J	1	
	R124	RK73HB1J223J	MG RESISTOR	22kΩ 1/16W J	1	
	R127	RK73HB1J101J	MG RESISTOR	100Ω 1/16W J	1	
	R129	RK73HB1J274J	MG RESISTOR	270kΩ 1/16W J	1	
	R130	RK73HB1J113J	MG RESISTOR	11kΩ 1/16W J	1	
	R131	RK73HB1J163J	MG RESISTOR	16kΩ 1/16W J	1	
	R132	RK73PB2H160J	MG RESISTOR	16Ω 1/2W J	1	
	R133	RK73HH1J273D	MG RESISTOR	27kΩ 1/16W D	1	
	R134	RK73HH1J472D	MG RESISTOR	4.7kΩ 1/16W D	1	
	R135	RK73HH1J113D	MG RESISTOR	11kΩ 1/16W D	1	
	R136	RK73HH1J113D	MG RESISTOR	11kΩ 1/16W D	1	
	R138	RK73HB1J434J	MG RESISTOR	430kΩ 1/16W J	1	
	R139	RK73HB1J103J	MG RESISTOR	10kΩ 1/16W J	1	
	R140	RK73GB2A101J	MG RESISTOR	100Ω 1/10W J	1	
	R141	RK73HB1J224J	MG RESISTOR	220kΩ 1/16W J	1	
	R142	RK73HB1J470J	MG RESISTOR	47Ω 1/16W J	1	
	R143	RK73HB1J224J	MG RESISTOR	220kΩ 1/16W J	1	
	R144	RK73HB1J000J	MG RESISTOR	0Ω 1/16W J	1	
	R145	RK73HH1J154D	MG RESISTOR	150kΩ 1/16W D	1	
	R146	RK73HB1J000J	MG RESISTOR	0Ω 1/16W J	1	
	R147	RK73HH1J124D	MG RESISTOR	120kΩ 1/16W D	1	
	R153	RK73HB1J000J	MG RESISTOR	0Ω 1/16W J	1	
	R154	RK73HB1J000J	MG RESISTOR	0Ω 1/16W J	1	
	R158	RK73HB1J000J	MG RESISTOR	0Ω 1/16W J	1	
	R401	RK73HB1J220J	MG RESISTOR	22Ω 1/16W J	1	
	R402	RK73HB1J000J	MG RESISTOR	0Ω 1/16W J	1	
	R403	RK73HB1J272J	MG RESISTOR	2.7kΩ 1/16W J	1	
	R404	RK73HB1J000J	MG RESISTOR	0Ω 1/16W J	1	
	R406	RK73HB1J473J	MG RESISTOR	47kΩ 1/16W J	1	
	R407	RK73HB1J473J	MG RESISTOR	47kΩ 1/16W J	1	
	R409	RK73HB1J272J	MG RESISTOR	2.7kΩ 1/16W J	1	
	R410	RK73HB1J220J	MG RESISTOR	22Ω 1/16W J	1	
	R501	RK73HB1J330J	MG RESISTOR	33Ω 1/16W J	1	
	R502	RK73HB1J330J	MG RESISTOR	33Ω 1/16W J	1	
	R505	RK73HB1J330J	MG RESISTOR	33Ω 1/16W J	1	
	R506	RK73HB1J330J	MG RESISTOR	33Ω 1/16W J	1	
	R507	RK73HB1J330J	MG RESISTOR	33Ω 1/16W J	1	
	R508	RK73HB1J330J	MG RESISTOR	33Ω 1/16W J	1	
	R509	RK73HB1J330J	MG RESISTOR	33Ω 1/16W J	1	
	R531	RK73HH1J362D	MG RESISTOR	3.6kΩ 1/16W D	1	
	R532	RK73HH1J201D	MG RESISTOR	200Ω 1/16W D	1	
	R533	RK73HH1J750D	MG RESISTOR	75Ω 1/16W D	1	
	R534	RK73HH1J750D	MG RESISTOR	75Ω 1/16W D	1	
	R535	RK73HH1J750D	MG RESISTOR	75Ω 1/16W D	1	
	R536	RK73HB1J223J	MG RESISTOR	22kΩ 1/16W J	1	
	R537	RK73HB1J223J	MG RESISTOR	22kΩ 1/16W J	1	
	R539	RK73HB1J100J	MG RESISTOR	10Ω 1/16W J	1	
	R541	RK73HB1J223J	MG RESISTOR	22kΩ 1/16W J	1	
	R542	RK73HB1J223J	MG RESISTOR	22kΩ 1/16W J	1	
	R543	RK73HB1J220J	MG RESISTOR	22Ω 1/16W J	1	
	R544	RK73HB1J220J	MG RESISTOR	22Ω 1/16W J	1	
	R545	RK73HB1J220J	MG RESISTOR	22Ω 1/16W J	1	
	R546	RK73HB1J220J	MG RESISTOR	22Ω 1/16W J	1	
	R550	RK73HB1J272J	MG RESISTOR	2.7kΩ 1/16W J	1	
	R551	RK73HB1J272J	MG RESISTOR	2.7kΩ 1/16W J	1	
	R603	RK73HB1J000J	MG RESISTOR	0Ω 1/16W J	1	
	R604	RK73HH1J243D	MG RESISTOR	24kΩ 1/16W D	1	
	R605	RK73HH1J104D	MG RESISTOR	100kΩ 1/16W D	1	
	R606	RK73EB2E100J	MG RESISTOR	10Ω 1/4W J	1	
	R608	RK73HB1J103J	MG RESISTOR	10kΩ 1/16W J	1	
	R609	RK73HB1J102J	MG RESISTOR	1kΩ 1/16W J	1	
	R610	RK73HB1J153J	MG RESISTOR	15kΩ 1/16W J	1	
	R611	RK73HB1J102J	MG RESISTOR	1kΩ 1/16W J	1	
	R612	RK73HB1J272J	MG RESISTOR	2.7kΩ 1/16W J	1	
	R614	RK73HB1J101J	MG RESISTOR	100Ω 1/16W J	1	
	R628	RK73HB1J473J	MG RESISTOR	47kΩ 1/16W J	1	
	R631	RK73GB2A102J	MG RESISTOR	1kΩ 1/10W J	1	
	R640	RK73HB1J473J	MG RESISTOR	47kΩ 1/16W J	1	
	R641	RK73HB1J102J	MG RESISTOR	1kΩ 1/16W J	1	
	R642	RK73HB1J102J	MG RESISTOR	1kΩ 1/16W J	1	
	R649	RK73HB1J000J	MG RESISTOR	0Ω 1/16W J	1	

MODEL	MARK	MODEL	MARK
DDX6702S	K1	DDX6902S	K0

Safe	Symbol No.	Parts No.	Parts Name	Description	QTY	Local
	R650	RK73HB1J473J	MG RESISTOR	47kΩ 1/16W J	1	
	R652	RK73HB1J000J	MG RESISTOR	0Ω 1/16W J	1	
	R653	RK73HB1J473J	MG RESISTOR	47kΩ 1/16W J	1	
	R654	RK73HB1J201J	MG RESISTOR	200Ω 1/16W J	1	
	R698	RK73GB2A101J	MG RESISTOR	100Ω 1/10W J	1	
	R700	RK73HB1J330J	MG RESISTOR	33Ω 1/16W J	1	
	R701	RK73HB1J330J	MG RESISTOR	33Ω 1/16W J	1	
	R702	RK73HB1J330J	MG RESISTOR	33Ω 1/16W J	1	
	R703	RK73HB1J330J	MG RESISTOR	33Ω 1/16W J	1	
	R705	RK73HB1J472J	MG RESISTOR	4.7kΩ 1/16W J	1	
	R706	RK73HB1J473J	MG RESISTOR	47kΩ 1/16W J	1	
	R707	RK73HB1J101J	MG RESISTOR	100Ω 1/16W J	1	
	R708	RK73HB1J330J	MG RESISTOR	33Ω 1/16W J	1	
	R709	RK73HB1J472J	MG RESISTOR	4.7kΩ 1/16W J	1	
	R710	RK73HB1J330J	MG RESISTOR	33Ω 1/16W J	1	
	R711	RK73HB1J330J	MG RESISTOR	33Ω 1/16W J	1	
	R713	RK73HB1J330J	MG RESISTOR	33Ω 1/16W J	1	
	R715	RK73HB1J000J	MG RESISTOR	0Ω 1/16W J	1	
	R716	RK73HB1J101J	MG RESISTOR	100Ω 1/16W J	1	
	R717	RK73HB1J101J	MG RESISTOR	100Ω 1/16W J	1	
	R718	RK73HB1J330J	MG RESISTOR	33Ω 1/16W J	1	
	R719	RK73HB1J302J	MG RESISTOR	3kΩ 1/16W J	1	
	R731	RK73HB1J330J	MG RESISTOR	33Ω 1/16W J	1	
	R732	RK73HB1J330J	MG RESISTOR	33Ω 1/16W J	1	
	R735	RK73HB1J000J	MG RESISTOR	0Ω 1/16W J	1	
	R738	RK73HB1J330J	MG RESISTOR	33Ω 1/16W J	1	
	R741	RK73HB1J105J	MG RESISTOR	1MΩ 1/16W J	1	
	R751	RK73HB1J222J	MG RESISTOR	2.2kΩ 1/16W J	1	
	R752	RK73HB1J222J	MG RESISTOR	2.2kΩ 1/16W J	1	
	R754	RK73HB1J000J	MG RESISTOR	0Ω 1/16W J	1	
	R755	RK73HB1J272J	MG RESISTOR	2.7kΩ 1/16W J	1	
	R756	RK73HB1J000J	MG RESISTOR	0Ω 1/16W J	1	
	R757	RK73HB1J101J	MG RESISTOR	100Ω 1/16W J	1	
	R758	RK73HB1J122J	MG RESISTOR	1.2kΩ 1/16W J	1	
	R759	RK73HB1J000J	MG RESISTOR	0Ω 1/16W J	1	
	R773	RK73HB1J225J	MG RESISTOR	2.2MΩ 1/16W J	1	
	R776	RK73HB1J473J	MG RESISTOR	47kΩ 1/16W J	1	
	R778	RK73HB1J103J	MG RESISTOR	10kΩ 1/16W J	1	
	R779	RK73HB1J103J	MG RESISTOR	10kΩ 1/16W J	1	
	R780	RK73HB1J000J	MG RESISTOR	0Ω 1/16W J	1	
	R789	RK73HB1J000J	MG RESISTOR	0Ω 1/16W J	1	
	R790	RK73HB1J304J	MG RESISTOR	300kΩ 1/16W J	1	
	R831	RK73GB2A100J	MG RESISTOR	10Ω 1/10W J	1	
	R832	RK73GB2A100J	MG RESISTOR	10Ω 1/10W J	1	
	R833	RK73GB2A100J	MG RESISTOR	10Ω 1/10W J	1	
	R834	RK73GB2A100J	MG RESISTOR	10Ω 1/10W J	1	
	R851	RK73HB1J272J	MG RESISTOR	2.7kΩ 1/16W J	1	
	R852	RK73HB1J000J	MG RESISTOR	0Ω 1/16W J	1	
	R853	RK73HB1J101J	MG RESISTOR	100Ω 1/16W J	1	
	R855	RK73HB1J473J	MG RESISTOR	47kΩ 1/16W J	1	
	R857	RK73HB1J101J	MG RESISTOR	100Ω 1/16W J	1	
	R859	RK73HB1J101J	MG RESISTOR	100Ω 1/16W J	1	
	R860	RK73HB1J000J	MG RESISTOR	0Ω 1/16W J	1	
	R861	RK73HB1J000J	MG RESISTOR	0Ω 1/16W J	1	
	R862	RK73HB1J101J	MG RESISTOR	100Ω 1/16W J	1	
	R863	RK73HB1J101J	MG RESISTOR	100Ω 1/16W J	1	
	R870	RK73HB1J000J	MG RESISTOR	0Ω 1/16W J	1	
	R901	RK73GB2A000J	MG RESISTOR	0Ω 1/10W J	1	
	R903	RK73GB2A000J	MG RESISTOR	0Ω 1/10W J	1	
	R906	RK73HB1J101J	MG RESISTOR	100Ω 1/16W J	1	
	R907	RK73HB1J101J	MG RESISTOR	100Ω 1/16W J	1	
	R908	RK73HB1J101J	MG RESISTOR	100Ω 1/16W J	1	
	R909	RK73HB1J101J	MG RESISTOR	100Ω 1/16W J	1	
	R910	RK73HB1J101J	MG RESISTOR	100Ω 1/16W J	1	
	R911	RK73HB1J000J	MG RESISTOR	0Ω 1/16W J	1	
	R912	RK73HB1J000J	MG RESISTOR	0Ω 1/16W J	1	
	R913	RK73HB1J000J	MG RESISTOR	0Ω 1/16W J	1	
	R914	RK73HB1J000J	MG RESISTOR	0Ω 1/16W J	1	
	R915	RK73HB1J000J	MG RESISTOR	0Ω 1/16W J	1	
	R916	RK73HB1J000J	MG RESISTOR	0Ω 1/16W J	1	
	R917	RK73HB1J000J	MG RESISTOR	0Ω 1/16W J	1	
	R918	RK73HB1J000J	MG RESISTOR	0Ω 1/16W J	1	
	R919	RK73HB1J000J	MG RESISTOR	0Ω 1/16W J	1	
	R920	RK73HB1J000J	MG RESISTOR	0Ω 1/16W J	1	
	R922	RK73HB1J000J	MG RESISTOR	0Ω 1/16W J	1	
	R923	RK73HB1J222J	MG RESISTOR	2.2kΩ 1/16W J	1	
	R924	RK73HB1J272J	MG RESISTOR	2.7kΩ 1/16W J	1	
	R925	RK73HB1J000J	MG RESISTOR	0Ω 1/16W J	1	
	R931	RK73HB1J221J	MG RESISTOR	220Ω 1/16W J	1	
	R932	RK73HB1J221J	MG RESISTOR	220Ω 1/16W J	1	
	R933	RK73HB1J221J	MG RESISTOR	220Ω 1/16W J	1	
	R934	RK73HB1J221J	MG RESISTOR	220Ω 1/16W J	1	
	R935	RK73HB1J221J	MG RESISTOR	220Ω 1/16W J	1	
	R936	RK73HB1J221J	MG RESISTOR	220Ω 1/16W J	1	
	R937	RK73HB1J221J	MG RESISTOR	220Ω 1/16W J	1	
	R938	RK73HB1J221J	MG RESISTOR	220Ω 1/16W J	1	
	R941	RK73HB1J752J	MG RESISTOR	7.5kΩ 1/16W J	1	
	R942	RK73HB1J272J	MG RESISTOR	2.7kΩ 1/16W J	1	
	R943	RK73HB1J101J	MG RESISTOR	100Ω 1/16W J	1	
	R951	RK73HB1J220J	MG RESISTOR	22Ω 1/16W J	1	
	R952	RK73HB1J220J	MG RESISTOR	22Ω 1/16W J	1	
	R955	RK73HB1J103J	MG RESISTOR	10kΩ 1/16W J	1	

MODEL	MARK	MODEL	MARK
DDX6702S	K1	DDX6902S	K0

Safe	Symbol No.	Parts No.	Parts Name	Description	QTY	Local
	R956	RK73HB1J000J	MG RESISTOR	0Ω 1/16W J	1	
	R958	RK73HB1J000J	MG RESISTOR	0Ω 1/16W J	1	
	R962	RK73HB1J332J	MG RESISTOR	3.3kΩ 1/16W J	1	
	R963	RK73HB1J332J	MG RESISTOR	3.3kΩ 1/16W J	1	
	R5001	RK73HH1J102D	MG RESISTOR	1kΩ 1/16W D	1	
	R5002	RK73HB1J105J	MG RESISTOR	1MΩ 1/16W J	1	
	R5003	RK73HH1J102D	MG RESISTOR	1kΩ 1/16W D	1	
	R5005	RK73HB1J472J	MG RESISTOR	4.7kΩ 1/16W J	1	
	R5007	RK73HB1J472J	MG RESISTOR	4.7kΩ 1/16W J	1	
	R5008	RK73HB1J472J	MG RESISTOR	4.7kΩ 1/16W J	1	
	R5011	RK73HB1J000J	MG RESISTOR	0Ω 1/16W J	1	
	R5012	RK73HB1J000J	MG RESISTOR	0Ω 1/16W J	1	
	R5014	RK73HB1J000J	MG RESISTOR	0Ω 1/16W J	1	
	R5015	RK73HB1J000J	MG RESISTOR	0Ω 1/16W J	1	
	R5018	RK73HB1J106J	MG RESISTOR	10MΩ 1/16W J	1	
	R5019	RK73HB1J000J	MG RESISTOR	0Ω 1/16W J	1	
	R5020	RK73HB1J332J	MG RESISTOR	3.3kΩ 1/16W J	1	
	R5022	RK73HB1J272J	MG RESISTOR	2.7kΩ 1/16W J	1	
	R5023	RK73HB1J332J	MG RESISTOR	3.3kΩ 1/16W J	1	
	R5025	RK73HB1J272J	MG RESISTOR	2.7kΩ 1/16W J	1	
	R5026	RK73HB1J272J	MG RESISTOR	2.7kΩ 1/16W J	1	K0
	R5027	RK73HB1J103J	MG RESISTOR	10kΩ 1/16W J	1	K1
	R5028	RK73HB1J272J	MG RESISTOR	2.7kΩ 1/16W J	1	
	R5029	RK73HB1J272J	MG RESISTOR	2.7kΩ 1/16W J	1	
	R5030	RK73HH1J201D	MG RESISTOR	200Ω 1/16W D	1	
	R5031	RK73HB1J102J	MG RESISTOR	1kΩ 1/16W J	1	
	R5034	RK73HB1J102J	MG RESISTOR	1kΩ 1/16W J	1	
	R5035	RK73HH1J44R2D	MG RESISTOR	44.2Ω 1/16W D	1	
	R5040	RK73HB1J472J	MG RESISTOR	4.7kΩ 1/16W J	1	
	R5041	RK73HH1J392D	MG RESISTOR	3.9kΩ 1/16W D	1	
	R5042	RK73HH1J681D	MG RESISTOR	680Ω 1/16W D	1	
	R5043	RK73HH1J241D	MG RESISTOR	240Ω 1/16W D	1	
	R5044	RK73HB1J122J	MG RESISTOR	1.2kΩ 1/16W J	1	
	R5045	RK73HB1J472J	MG RESISTOR	4.7kΩ 1/16W J	1	
	R5046	RK73HB1J103J	MG RESISTOR	10kΩ 1/16W J	1	
	R5047	RK73HB1J103J	MG RESISTOR	10kΩ 1/16W J	1	
	R5048	RK73HB1J000J	MG RESISTOR	0Ω 1/16W J	1	
	R5053	RK73HB1J103J	MG RESISTOR	10kΩ 1/16W J	1	
	R5054	RK73HB1J103J	MG RESISTOR	10kΩ 1/16W J	1	
	R5055	RK73HB1J103J	MG RESISTOR	10kΩ 1/16W J	1	
	R5057	RK73HB1J103J	MG RESISTOR	10kΩ 1/16W J	1	
	R5061	RK73HB1J000J	MG RESISTOR	0Ω 1/16W J	1	
	R5062	RK73HB1J332J	MG RESISTOR	3.3kΩ 1/16W J	1	
	R5063	RK73HB1J272J	MG RESISTOR	2.7kΩ 1/16W J	1	
	R5064	RK73HB1J332J	MG RESISTOR	3.3kΩ 1/16W J	1	
	R5065	RK73HB1J272J	MG RESISTOR	2.7kΩ 1/16W J	1	
	R5068	RK73HB1J272J	MG RESISTOR	2.7kΩ 1/16W J	1	
	R5069	RK73HB1J272J	MG RESISTOR	2.7kΩ 1/16W J	1	
	R5070	RK73HB1J272J	MG RESISTOR	2.7kΩ 1/16W J	1	
	R5074	RK73HB1J220J	MG RESISTOR	22Ω 1/16W J	1	
	R5076	RK73HB1J000J	MG RESISTOR	0Ω 1/16W J	1	
	R5077	RK73HB1J272J	MG RESISTOR	2.7kΩ 1/16W J	1	
	R5078	RK73HB1J000J	MG RESISTOR	0Ω 1/16W J	1	
	R5079	RK73HB1J000J	MG RESISTOR	0Ω 1/16W J	1	
	R5080	RK73HB1J223J	MG RESISTOR	22kΩ 1/16W J	1	
	R5081	RK73HB1J000J	MG RESISTOR	0Ω 1/16W J	1	
	R5082	RK73HB1J220J	MG RESISTOR	22Ω 1/16W J	1	
	R5083	RK73HB1J473J	MG RESISTOR	47kΩ 1/16W J	1	
	R5084	RK73HB1J103J	MG RESISTOR	10kΩ 1/16W J	1	
	R5086	RK73HB1J103J	MG RESISTOR	10kΩ 1/16W J	1	
	R5088	RK73HB1J102J	MG RESISTOR	1kΩ 1/16W J	1	
	R5089	RK73HB1J473J	MG RESISTOR	47kΩ 1/16W J	1	
	R5091	RK73HB1J473J	MG RESISTOR	47kΩ 1/16W J	1	
	R5092	RK73HB1J473J	MG RESISTOR	47kΩ 1/16W J	1	
	R5093	RK73HB1J102J	MG RESISTOR	1kΩ 1/16W J	1	
	R5094	RK73HB1J473J	MG RESISTOR	47kΩ 1/16W J	1	
	R5095	RK73HH1J303D	MG RESISTOR	30kΩ 1/16W D	1	
	R5097	RK73HB1J272J	MG RESISTOR	2.7kΩ 1/16W J	1	
	R5098	RK73HB1J000J	MG RESISTOR	0Ω 1/16W J	1	
	R5099	RK73HB1J272J	MG RESISTOR	2.7kΩ 1/16W J	1	
	R5103	RK73HB1J332J	MG RESISTOR	3.3kΩ 1/16W J	1	
	R5203	RK73HB1J103J	MG RESISTOR	10kΩ 1/16W J	1	
	R5204	RK73HB1J472J	MG RESISTOR	4.7kΩ 1/16W J	1	
	R5205	RK73HB1J272J	MG RESISTOR	2.7kΩ 1/16W J	1	
	R5207	RK73HB1J103J	MG RESISTOR	10kΩ 1/16W J	1	
	R5208	RK73HB1J103J	MG RESISTOR	10kΩ 1/16W J	1	
	R5210	RK73HB1J000J	MG RESISTOR	0Ω 1/16W J	1	
	R5222	RK73HB1J103J	MG RESISTOR	10kΩ 1/16W J	1	
	R5250	RK73FB2B102J	MG RESISTOR	1kΩ 1/8W J	1	
	R5271	RK73HB1J220J	MG RESISTOR	22Ω 1/16W J	1	
	R5272	RK73HB1J220J	MG RESISTOR	22Ω 1/16W J	1	
	R5273	RK73HB1J103J	MG RESISTOR	10kΩ 1/16W J	1	
	R5274	RK73HB1J472J	MG RESISTOR	4.7kΩ 1/16W J	1	
	R5275	RK73HB1J220J	MG RESISTOR	22Ω 1/16W J	1	
	R5276	RK73HB1J220J	MG RESISTOR	22Ω 1/16W J	1	
	R5277	RK73HB1J220J	MG RESISTOR	22Ω 1/16W J	1	
	R5278	RK73HB1J472J	MG RESISTOR	4.7kΩ 1/16W J	1	
	R5279	RK73HB1J472J	MG RESISTOR	4.7kΩ 1/16W J	1	
	R5280	RK73HB1J472J	MG RESISTOR	4.7kΩ 1/16W J	1	
	R5281	RK73HB1J472J	MG RESISTOR	4.7kΩ 1/16W J	1	
	R5282	RK73HB1J103J	MG RESISTOR	10kΩ 1/16W J	1	
	R5283	RK73HB1J220J	MG RESISTOR	22Ω 1/16W J	1	

MODEL	MARK	MODEL	MARK
DDX6702S	K1	DDX6902S	K0

Safe	Symbol No.	Parts No.	Parts Name	Description	QTY	Local
	R5284	RK73HB1J101J	MG RESISTOR	100Ω 1/16W J	1	
	R5285	RK73HB1J220J	MG RESISTOR	22Ω 1/16W J	1	
	R5286	RK73HB1J220J	MG RESISTOR	22Ω 1/16W J	1	
	R5287	RK73HB1J472J	MG RESISTOR	4.7kΩ 1/16W J	1	
	R5288	RK73HB1J220J	MG RESISTOR	22Ω 1/16W J	1	
	R5289	RK73HB1J101J	MG RESISTOR	100Ω 1/16W J	1	
	R5290	RK73HB1J101J	MG RESISTOR	100Ω 1/16W J	1	
	R5291	RK73HB1J101J	MG RESISTOR	100Ω 1/16W J	1	
	R5292	RK73HB1J103J	MG RESISTOR	10kΩ 1/16W J	1	
	R5293	RK73HB1J103J	MG RESISTOR	10kΩ 1/16W J	1	
	R5301	RK73HH1J103D	MG RESISTOR	10kΩ 1/16W D	1	
	R5302	RK73HH1J103D	MG RESISTOR	10kΩ 1/16W D	1	
	R5303	RK73HH1J103D	MG RESISTOR	10kΩ 1/16W D	1	
	R5304	RK73HH1J103D	MG RESISTOR	10kΩ 1/16W D	1	
	R5305	RK73HH1J241D	MG RESISTOR	240Ω 1/16W D	1	
	R5306	RK73HH1J103D	MG RESISTOR	10kΩ 1/16W D	1	
	R5307	RK73HH1J103D	MG RESISTOR	10kΩ 1/16W D	1	
	R5308	RK73HH1J103D	MG RESISTOR	10kΩ 1/16W D	1	
	R5309	RK73HH1J103D	MG RESISTOR	10kΩ 1/16W D	1	
	R5310	RK73HH1J241D	MG RESISTOR	240Ω 1/16W D	1	
	R5311	RK73HH1J102D	MG RESISTOR	1kΩ 1/16W D	1	
	R5312	RK73HH1J102D	MG RESISTOR	1kΩ 1/16W D	1	
	R5417	RK73HB1J390J	MG RESISTOR	39Ω 1/16W J	1	
	R5429	RK73HB1J390J	MG RESISTOR	39Ω 1/16W J	1	
	R5449	RK73HB1J390J	MG RESISTOR	39Ω 1/16W J	1	
	R5450	RK73HB1J390J	MG RESISTOR	39Ω 1/16W J	1	
	R5556	RK73HB1J000J	MG RESISTOR	0Ω 1/16W J	1	
	R5557	RK73HB1J000J	MG RESISTOR	0Ω 1/16W J	1	
	R5558	RK73HB1J000J	MG RESISTOR	0Ω 1/16W J	1	
	R5559	RK73HB1J000J	MG RESISTOR	0Ω 1/16W J	1	
	R5560	RK73HB1J000J	MG RESISTOR	0Ω 1/16W J	1	
	R5561	RK73HB1J000J	MG RESISTOR	0Ω 1/16W J	1	
	R5562	RK73HB1J000J	MG RESISTOR	0Ω 1/16W J	1	
	R5564	RK73HH1J750D	MG RESISTOR	75Ω 1/16W D	1	
	R5565	RK73HH1J750D	MG RESISTOR	75Ω 1/16W D	1	
	R5566	RK73HH1J201D	MG RESISTOR	200Ω 1/16W D	1	
	R5567	RK73HH1J201D	MG RESISTOR	200Ω 1/16W D	1	
	R5568	RK73HH1J201D	MG RESISTOR	200Ω 1/16W D	1	
	R5569	RK73HH1J750D	MG RESISTOR	75Ω 1/16W D	1	
	R5570	RK73HB1J000J	MG RESISTOR	0Ω 1/16W J	1	
	R5573	RK73HB1J272J	MG RESISTOR	2.7kΩ 1/16W J	1	
	R5574	RK73HB1J473J	MG RESISTOR	47kΩ 1/16W J	1	
	R5575	RK73HB1J102J	MG RESISTOR	1kΩ 1/16W J	1	
	R5576	RK73HB1J105J	MG RESISTOR	1MΩ 1/16W J	1	
	R5578	RK73HB1J000J	MG RESISTOR	0Ω 1/16W J	1	
	R5579	RK73HH1J750D	MG RESISTOR	75Ω 1/16W D	1	
	R5580	RK73HB1J000J	MG RESISTOR	0Ω 1/16W J	1	
	R5582	RK73HB1J000J	MG RESISTOR	0Ω 1/16W J	1	
	R5584	RK73HB1J000J	MG RESISTOR	0Ω 1/16W J	1	
	R5585	RK73HB1J000J	MG RESISTOR	0Ω 1/16W J	1	
	R5587	RK73GB2A000J	MG RESISTOR	0Ω 1/10W J	1	
	R5588	RK73GB2A000J	MG RESISTOR	0Ω 1/10W J	1	
	R5589	RK73GB2A000J	MG RESISTOR	0Ω 1/10W J	1	
	R5590	RK73HB1J223J	MG RESISTOR	22kΩ 1/16W J	1	
	RA501	RK74HB1J220J	NET RESISTOR	22Ω 1/16W J	1	
	RA502	RK74HB1J220J	NET RESISTOR	22Ω 1/16W J	1	
	RA503	RK74HB1J220J	NET RESISTOR	22Ω 1/16W J	1	
	RA504	RK74HB1J220J	NET RESISTOR	22Ω 1/16W J	1	
	RA505	RK74HB1J220J	NET RESISTOR	22Ω 1/16W J	1	
	RA506	RK74HB1J220J	NET RESISTOR	22Ω 1/16W J	1	
	RA521	RK74HB1J680J	NET RESISTOR	68Ω 1/16W J	1	
	RA522	RK74HB1J680J	NET RESISTOR	68Ω 1/16W J	1	
	RA523	RK74HB1J680J	NET RESISTOR	68Ω 1/16W J	1	
	RA524	RK74HB1J680J	NET RESISTOR	68Ω 1/16W J	1	
	RA700	RK74HB1J330J	NET RESISTOR	33Ω 1/16W J	1	
	RA701	RK74HB1J330J	NET RESISTOR	33Ω 1/16W J	1	
	RA702	RK74HB1J330J	NET RESISTOR	33Ω 1/16W J	1	
	RA703	RK74HB1J330J	NET RESISTOR	33Ω 1/16W J	1	
	RA704	RK74HB1J330J	NET RESISTOR	33Ω 1/16W J	1	
	RA705	RK74HB1J330J	NET RESISTOR	33Ω 1/16W J	1	
	RA5431	RK74HB1J390J	NET RESISTOR	39Ω 1/16W J	1	
	RA5432	RK74HB1J390J	NET RESISTOR	39Ω 1/16W J	1	
	L101	NQLQ1EM-100X	INDUCTOR	10uH M	1	
	L102	NQLQ1EM-100X	INDUCTOR	10uH M	1	
	L103	NQLQ1EM-100X	INDUCTOR	10uH M	1	
	L601	LR79Z0DE220M	CHIP INDUCTOR	22uH	1	
	L765	LR73Z0AD4R7M	CHIP INDUCTOR	4.7uH	1	
	L831	NQL77GK-100X	INDUCTOR	10uH K	1	
	L901	LR73Z0AD100M	CHIP INDUCTOR	10uH	1	
	L951	NQLP9AJ-27NX	INDUCTOR	27nH J	1	
	L952	NQLP7AG-8N2X	INDUCTOR	8.2nH G	1	
	L953	NQLZ021-9N1X	INDUCTOR	9.1nH	1	
	L954	NQR0593-001X	FERRITE BEADS		1	
	L955	NQR0593-001X	FERRITE BEADS		1	
	L5001	LB73G0BK-002	CHIP FERRITE		1	
	L5002	LB73G0BK-002	CHIP FERRITE		1	
	L5004	LB73G0BK-002	CHIP FERRITE		1	
	L5551	LB73G0BK-006	CHIP FERRITE		1	
	L5552	LB73G0BK-003	CHIP FERRITE		1	
	L5553	LB73G0BK-003	CHIP FERRITE		1	
	L5554	LB73G0BK-003	CHIP FERRITE		1	
	A951	NAU0020-001X	RF MODULE		1	
	CN1	QGA2001F6-05X	W TO B CONNE	W-B (1-5)	1	

MODEL	MARK	MODEL	MARK
DDX6702S	K1	DDX6902S	K0

Safe	Symbol No.	Parts No.	Parts Name	Description	QTY	Local
	CN101	QGF0534F7-60X	FFC/FPC CONNE	FFC/FPC (1-60)	1	
	CN102	QGF0534F7-20X	FFC/FPC CONNE	FFC/FPC (1-20)	1	
	CN103	QGF0534F7-15X	FFC/FPC CONNE	FFC/FPC (1-15)	1	
	CN527	QGF0545F3-16X	FFC/FPC CONNE	FFC/FPC (1-16)	1	
	CN881	QGA2501C1-02	W TO B CONNE	W-B (1-2)	1	
	CN882	QGA2501C1-02	W TO B CONNE	W-B (1-2)	1	
	CN931	QGA2001C1-02	W TO B CONNE	W-B (1-2)	1	
	CN932	QGA2001C1-02	W TO B CONNE	W-B (1-2)	1	
	FL956	NAX1261-001X	SAW FILTER		1	
	VA951	NAF0029-002X	ESD SUPPRESSOR		1	
	W951	E3A-0163-00	CORD W.CON.		1	
	X555	NAX1145-001X	CRYSTAL		1	
	X700	L7J-0052-00	QUARTZ CRYSTAL		1	
	X901	NAX1204-001X	CRYSTAL		1	
	X951	L7H-0017-00	TCXO		1	
	X952	NAX1248-001X	CRYSTAL		1	
	X5001	NAX1179-001X	CRYSTAL		1	
	X5002	NAX1248-001X	CRYSTAL		1	

VIDEO PWB ASSY (XJ8-0100-10) <XJ8>

	IC102	MST7912MD-I	IC		1	
	IC103	W3F-0046-00	IC		1	
	IC104	XC6223D331PG-X	IC		1	
	IC105	XC6223D331PG-X	IC		1	
	IC106	XC6223B121PG-X	IC		1	
	IC201	NJM2831F92-X	SV-ANALOGUE IC		1	
	IC202	BA2904FVM	MOS IC		1	
	IC500	PIC95603-X	IR DETECT UNIT		1	
	Q104	LTC014YEBFS8	DIGI TRANSISTOR		1	
	Q201	LSCR523UBFS8	TRANSISTOR		1	
	Q202	LSCR523UBFS8	TRANSISTOR		1	
	Q203	LTC014YEBFS8	DIGI TRANSISTOR		1	
	Q204	LSAR523UBFS8	TRANSISTOR		1	
	Q205	LSCR523UBFS8	TRANSISTOR		1	
	Q206	LSCR523UBFS8	TRANSISTOR		1	
	Q207	LSAR523UBFS8	TRANSISTOR		1	
	Q208	LTC014YEBFS8	DIGI TRANSISTOR		1	
	Q209	LSCR523UBFS8	TRANSISTOR		1	
	Q212	LTC014YEBFS8	DIGI TRANSISTOR		1	
	Q213	LTA014YEBFS8	DIGI TRANSISTOR		1	
	Q214	LTC014YEBFS8	DIGI TRANSISTOR		1	
	Q215	LTC014YEBFS8	DIGI TRANSISTOR		1	
	Q216	LTC014YEBFS8	DIGI TRANSISTOR		1	
	Q217	LTC014YEBFS8	DIGI TRANSISTOR		1	
	Q301	LSCR523UBFS8	TRANSISTOR		1	
	Q302	LSCR523UBFS8	TRANSISTOR		1	
	Q303	LSCR523UBFS8	TRANSISTOR		1	
	Q304	LSCR523UBFS8	TRANSISTOR		1	
	Q305	LSCR523UBFS8	TRANSISTOR		1	
	Q306	LSCR523UBFS8	TRANSISTOR		1	
	Q307	LSCR523UBFS8	TRANSISTOR		1	
	Q308	LSCR523UBFS8	TRANSISTOR		1	
	Q309	LSCR523UBFS8	TRANSISTOR		1	
	Q501	LSCR523UBFS8	TRANSISTOR		1	
	Q502	LSCR523UBFS8	TRANSISTOR		1	
	Q503	LSCR523UBFS8	TRANSISTOR		1	
	Q504	LTC014YEBFS8	DIGI TRANSISTOR		1	
	D201	DA2J101	DIODE		1	
	D202	DZ2J180M	ZENER DIODE		1	
	D205	DZ2J130M	ZENER DIODE		1	
	D500	SML-D12V8WSPQ	LED		1	
	D501	SML-D12V8WSPQ	LED		1	
	D502	LTRBR8SF/Z1Z1X	LED		1	
	D504	LTRBR8SF/Z1Z1X	LED		1	
	C101	CK73HBB1A104K	C CAPACITOR	0.1uF 10V K	1	
	C102	CK73HBB1A104K	C CAPACITOR	0.1uF 10V K	1	
	C103	CK73FBB0J106K	C CAPACITOR	10uF 6.3V K	1	
	C104	CK73HBB1A104K	C CAPACITOR	0.1uF 10V K	1	
	C106	CK73HBB1A104K	C CAPACITOR	0.1uF 10V K	1	
	C107	CK73FBB0J106K	C CAPACITOR	10uF 6.3V K	1	
	C108	CK730BW0J226M	C CAPACITOR	22uF 6.3V M	1	
	C109	CC73HCH1H102J	C CAPACITOR	1000pF 50V J	1	
	C110	CC73HCH1H102J	C CAPACITOR	1000pF 50V J	1	
	C111	CK73HBB1A104K	C CAPACITOR	0.1uF 10V K	1	
	C112	CK73HBB1A104K	C CAPACITOR	0.1uF 10V K	1	
	C113	CK730BS0J105K	C CAPACITOR	1uF 6.3V K	1	
	C114	CK73HBB1A104K	C CAPACITOR	0.1uF 10V K	1	
	C117	CC73HCH1H180J	C CAPACITOR	18pF 50V J	1	
	C118	CC73HCH1H180J	C CAPACITOR	18pF 50V J	1	
	C119	CK73HBB1A104K	C CAPACITOR	0.1uF 10V K	1	
	C120	CK73HBB1A104K	C CAPACITOR	0.1uF 10V K	1	
	C121	CK73HBB1A104K	C CAPACITOR	0.1uF 10V K	1	
	C122	CK73HBB1C103K	C CAPACITOR	0.01uF 16V K	1	
	C123	CK73HBB1A104K	C CAPACITOR	0.1uF 10V K	1	
	C124	CK73HBB1A104K	C CAPACITOR	0.1uF 10V K	1	
	C125	CK73HBB1A104K	C CAPACITOR	0.1uF 10V K	1	
	C126	CK73HBB1A104K	C CAPACITOR	0.1uF 10V K	1	
	C127	CK73HBB1A104K	C CAPACITOR	0.1uF 10V K	1	
	C128	CK73HBB1A104K	C CAPACITOR	0.1uF 10V K	1	
	C129	CK73HBB1A104K	C CAPACITOR	0.1uF 10V K	1	
	C130	CK73HBB1A104K	C CAPACITOR	0.1uF 10V K	1	
	C131	CK73HBB1A104K	C CAPACITOR	0.1uF 10V K	1	
	C132	CK73HBB1A104K	C CAPACITOR	0.1uF 10V K	1	

MODEL	MARK	MODEL	MARK
DDX6702S	K1	DDX6902S	K0

Safe	Symbol No.	Parts No.	Parts Name	Description	QTY	Local
	C133	CK73HBB1A104K	C CAPACITOR	0.1uF 10V K	1	
	C134	CK73HBB1A104K	C CAPACITOR	0.1uF 10V K	1	
	C135	CK73HBB1A104K	C CAPACITOR	0.1uF 10V K	1	
	C136	CK73HBB1A104K	C CAPACITOR	0.1uF 10V K	1	
	C141	CC73HCH1H470J	C CAPACITOR	47pF 50V J	1	
	C142	CK73FBB0J106K	C CAPACITOR	10uF 6.3V K	1	
	C143	CK73HBB1A104K	C CAPACITOR	0.1uF 10V K	1	
	C144	CK730AU0J105K	C CAPACITOR	1uF 6.3V K	1	
	C145	CK730AU0J105K	C CAPACITOR	1uF 6.3V K	1	
	C146	CK730AU0J105K	C CAPACITOR	1uF 6.3V K	1	
	C147	CK73HBB1A104K	C CAPACITOR	0.1uF 10V K	1	
	C148	CK730AU0J105K	C CAPACITOR	1uF 6.3V K	1	
	C149	CK730AU0J105K	C CAPACITOR	1uF 6.3V K	1	
	C150	CK73FBB0J106K	C CAPACITOR	10uF 6.3V K	1	
	C151	CK730AU0J105K	C CAPACITOR	1uF 6.3V K	1	
	C152	CK730AU0J105K	C CAPACITOR	1uF 6.3V K	1	
	C153	CC73HCH1H330J	C CAPACITOR	33pF 50V J	1	
	C201	CK73GBB1H104K	C CAPACITOR	0.1uF 50V K	1	
	C202	CK73FBB1E105K	C CAPACITOR	1uF 25V K	1	
	C203	CK73GBB1H104K	C CAPACITOR	0.1uF 50V K	1	
	C206	CK73GBB1H104K	C CAPACITOR	0.1uF 50V K	1	
	C208	CK73GBB1H104K	C CAPACITOR	0.1uF 50V K	1	
	C209	CK73FBB1E105K	C CAPACITOR	1uF 25V K	1	
	C210	CK73GBB1H104K	C CAPACITOR	0.1uF 50V K	1	
	C211	CK73GBB1H104K	C CAPACITOR	0.1uF 50V K	1	
	C212	CK73FBB1E105K	C CAPACITOR	1uF 25V K	1	
	C213	CK73GBB1H104K	C CAPACITOR	0.1uF 50V K	1	
	C214	CK73FBB1E105K	C CAPACITOR	1uF 25V K	1	
	C215	CK73FBB1E105K	C CAPACITOR	1uF 25V K	1	
	C216	CK73GBB1H104K	C CAPACITOR	0.1uF 50V K	1	
	C217	CK73GBB1H104K	C CAPACITOR	0.1uF 50V K	1	
	C301	CK730BW1C106K	C CAPACITOR	10uF 16V K	1	
	C302	CK73FBB0J106K	C CAPACITOR	10uF 6.3V K	1	
	C303	CK73HBB1A104K	C CAPACITOR	0.1uF 10V K	1	
	C304	CK73HBB1A104K	C CAPACITOR	0.1uF 10V K	1	
	C305	CK73GBB1H104K	C CAPACITOR	0.1uF 50V K	1	
	C306	CK73HXR0J105K	C CAPACITOR	1uF 6.3V K	1	
	C307	CK73GBB1H104K	C CAPACITOR	0.1uF 50V K	1	
	C308	CK73HBB1A104K	C CAPACITOR	0.1uF 10V K	1	
	C309	CK73HXR0J105K	C CAPACITOR	1uF 6.3V K	1	
	C310	CK73HBB1A104K	C CAPACITOR	0.1uF 10V K	1	
	C311	CK73GBB1H104K	C CAPACITOR	0.1uF 50V K	1	
	C312	CK730BF1E475K	C CAPACITOR	4.7uF 25V K	1	
	C313	CK73GBB1H104K	C CAPACITOR	0.1uF 50V K	1	
	C316	CK73HBB1A104K	C CAPACITOR	0.1uF 10V K	1	
	C317	CK73HBB1A104K	C CAPACITOR	0.1uF 10V K	1	
	C318	CK73HBB1A104K	C CAPACITOR	0.1uF 10V K	1	
	C400	CC73HCH1H101J	C CAPACITOR	100pF 50V J	1	
	C401	CC73HCH1H101J	C CAPACITOR	100pF 50V J	1	
	C402	CC73HCH1H101J	C CAPACITOR	100pF 50V J	1	
	C403	CC73HCH1H101J	C CAPACITOR	100pF 50V J	1	
	C500	CK730AU0J105K	C CAPACITOR	1uF 6.3V K	1	
	C505	CC73HCH1H102J	C CAPACITOR	1000pF 50V J	1	
	C506	CC73HCH1H102J	C CAPACITOR	1000pF 50V J	1	
	C507	CC73HCH1H102J	C CAPACITOR	1000pF 50V J	1	
	R101	RK73HB1J101J	MG RESISTOR	100Ω 1/16W J	1	
	R102	RK73HB1J101J	MG RESISTOR	100Ω 1/16W J	1	
	R103	RK73HB1J472J	MG RESISTOR	4.7kΩ 1/16W J	1	
	R104	RK73HB1J101J	MG RESISTOR	100Ω 1/16W J	1	
	R105	RK73HB1J101J	MG RESISTOR	100Ω 1/16W J	1	
	R106	RK73HB1J473J	MG RESISTOR	47kΩ 1/16W J	1	
	R107	RK73HB1J473J	MG RESISTOR	47kΩ 1/16W J	1	
	R108	RK73HB1J473J	MG RESISTOR	47kΩ 1/16W J	1	
	R109	RK73HB1J330J	MG RESISTOR	33Ω 1/16W J	1	
	R110	RK73HB1J330J	MG RESISTOR	33Ω 1/16W J	1	
	R111	RK73HB1J330J	MG RESISTOR	33Ω 1/16W J	1	
	R112	RK73HB1J473J	MG RESISTOR	47kΩ 1/16W J	1	
	R113	RK73HB1J101J	MG RESISTOR	100Ω 1/16W J	1	
	R114	RK73HB1J103J	MG RESISTOR	10kΩ 1/16W J	1	
	R115	RK73HB1J472J	MG RESISTOR	4.7kΩ 1/16W J	1	
	R116	RK73HB1J470J	MG RESISTOR	47Ω 1/16W J	1	
	R117	RK73HB1J472J	MG RESISTOR	4.7kΩ 1/16W J	1	
	R118	RK73HB1J101J	MG RESISTOR	100Ω 1/16W J	1	
	R119	RK73HB1J102J	MG RESISTOR	1kΩ 1/16W J	1	
	R120	RK73HB1J472J	MG RESISTOR	4.7kΩ 1/16W J	1	
	R121	RK73HB1J101J	MG RESISTOR	100Ω 1/16W J	1	
	R122	RK73HB1J472J	MG RESISTOR	4.7kΩ 1/16W J	1	
	R123	RK73HB1J101J	MG RESISTOR	100Ω 1/16W J	1	
	R124	RK73HB1J560J	MG RESISTOR	56Ω 1/16W J	1	
	R125	RK73HB1J100J	MG RESISTOR	10Ω 1/16W J	1	
	R128	RK73HB1J473J	MG RESISTOR	47kΩ 1/16W J	1	
	R130	RK73HB1J470J	MG RESISTOR	47Ω 1/16W J	1	
	R131	RK73HB1J101J	MG RESISTOR	100Ω 1/16W J	1	
	R132	RK73HB1J101J	MG RESISTOR	100Ω 1/16W J	1	
	R133	RK73HB1J101J	MG RESISTOR	100Ω 1/16W J	1	
	R134	RK73HB1J102J	MG RESISTOR	1kΩ 1/16W J	1	
	R135	RK73HB1J105J	MG RESISTOR	1MΩ 1/16W J	1	
	R136	RK73HB1J680J	MG RESISTOR	68Ω 1/16W J	1	
	R137	RK73HB1J680J	MG RESISTOR	68Ω 1/16W J	1	
	R138	RK73HB1J220J	MG RESISTOR	22Ω 1/16W J	1	
	R139	RK73HH1J330D	MG RESISTOR	33Ω 1/16W D	1	
	R140	RK73HH1J330D	MG RESISTOR	33Ω 1/16W D	1	

MODEL	MARK	MODEL	MARK
DDX6702S	K1	DDX6902S	K0

Safe	Symbol No.	Parts No.	Parts Name	Description	QTY	Local
	R141	RK73HH1J330D	MG RESISTOR	33Ω 1/16W D	1	
	R142	RK73HH1J330D	MG RESISTOR	33Ω 1/16W D	1	
	R143	RK73HH1J131D	MG RESISTOR	130Ω 1/16W D	1	
	R144	RK73HH1J131D	MG RESISTOR	130Ω 1/16W D	1	
	R145	RK73HH1J131D	MG RESISTOR	130Ω 1/16W D	1	
	R146	RK73HH1J131D	MG RESISTOR	130Ω 1/16W D	1	
	R147	RK73HB1J102J	MG RESISTOR	1kΩ 1/16W J	1	
	R148	RK73HB1J102J	MG RESISTOR	1kΩ 1/16W J	1	
	R149	RK73HB1J000J	MG RESISTOR	0Ω 1/16W J	1	
	R150	RK73HH1J470D	MG RESISTOR	47Ω 1/16W D	1	
	R151	RK73HH1J470D	MG RESISTOR	47Ω 1/16W D	1	
	R152	RK73HH1J470D	MG RESISTOR	47Ω 1/16W D	1	
	R153	RK73HB1J101J	MG RESISTOR	100Ω 1/16W J	1	
	R155	RK73HB1J102J	MG RESISTOR	1kΩ 1/16W J	1	
	R156	RK73HB1J101J	MG RESISTOR	100Ω 1/16W J	1	
	R158	RK73HB1J102J	MG RESISTOR	1kΩ 1/16W J	1	
	R159	RK73HB1J101J	MG RESISTOR	100Ω 1/16W J	1	
	R160	RK73HB1J473J	MG RESISTOR	47kΩ 1/16W J	1	
	R161	RK73HB1J102J	MG RESISTOR	1kΩ 1/16W J	1	
	R162	RK73HB1J000J	MG RESISTOR	0Ω 1/16W J	1	
	R201	RK73HB1J471J	MG RESISTOR	470Ω 1/16W J	1	
	R202	RK73EB2E332J	MG RESISTOR	3.3kΩ 1/4W J	1	
	R203	RK73EB2E332J	MG RESISTOR	3.3kΩ 1/4W J	1	
	R204	RK73HB1J473J	MG RESISTOR	47kΩ 1/16W J	1	
	R205	RK73HH1J103D	MG RESISTOR	10kΩ 1/16W D	1	
	R206	RK73HH1J472D	MG RESISTOR	4.7kΩ 1/16W D	1	
	R207	RK73HB1J472J	MG RESISTOR	4.7kΩ 1/16W J	1	
	R208	RK73HB1J000J	MG RESISTOR	0Ω 1/16W J	1	
	R209	RK73GB2A472J	MG RESISTOR	4.7kΩ 1/10W J	1	
	R210	RK73GB2A103J	MG RESISTOR	10kΩ 1/10W J	1	
	R211	RK73HB1J102J	MG RESISTOR	1kΩ 1/16W J	1	
	R212	RK73HB1J153J	MG RESISTOR	15kΩ 1/16W J	1	
	R213	RK73HB1J153J	MG RESISTOR	15kΩ 1/16W J	1	
	R214	RK73HB1J433J	MG RESISTOR	43kΩ 1/16W J	1	
	R215	RK73HB1J913J	MG RESISTOR	91kΩ 1/16W J	1	
	R216	RK73HB1J184J	MG RESISTOR	180kΩ 1/16W J	1	
	R217	RK73HB1J434J	MG RESISTOR	430kΩ 1/16W J	1	
	R222	RK73HB1J105J	MG RESISTOR	1MΩ 1/16W J	1	
	R223	RK73EB2E102J	MG RESISTOR	1kΩ 1/4W J	1	
	R224	RK73HB1J473J	MG RESISTOR	47kΩ 1/16W J	1	
	R225	RK73HB1J471J	MG RESISTOR	470Ω 1/16W J	1	
	R226	RK73EB2E332J	MG RESISTOR	3.3kΩ 1/4W J	1	
	R227	RK73PB2H101J	MG RESISTOR	100Ω 1/2W J	1	
	R228	RK73PB2H101J	MG RESISTOR	100Ω 1/2W J	1	
	R231	RK73EB2E392J	MG RESISTOR	3.9kΩ 1/4W J	1	
	R232	RK73HB1J472J	MG RESISTOR	4.7kΩ 1/16W J	1	
	R233	RK73HB1J104J	MG RESISTOR	100kΩ 1/16W J	1	
	R234	RK73HB1J000J	MG RESISTOR	0Ω 1/16W J	1	
	R235	RK73HB1J473J	MG RESISTOR	47kΩ 1/16W J	1	
	R236	RK73HB1J101J	MG RESISTOR	100Ω 1/16W J	1	
	R301	RK73GB2A331J	MG RESISTOR	330Ω 1/10W J	1	
	R302	RK73HH1J820D	MG RESISTOR	82Ω 1/16W D	1	
	R303	RK73HH1J161D	MG RESISTOR	160Ω 1/16W D	1	
	R304	RK73HH1J430D	MG RESISTOR	43Ω 1/16W D	1	
	R305	RK73HH1J390D	MG RESISTOR	39Ω 1/16W D	1	
	R306	RK73HH1J101D	MG RESISTOR	100Ω 1/16W D	1	
	R307	RK73HH1J161D	MG RESISTOR	160Ω 1/16W D	1	
	R308	RK73HH1J101D	MG RESISTOR	100Ω 1/16W D	1	
	R309	RK73HH1J390D	MG RESISTOR	39Ω 1/16W D	1	
	R310	RK73HH1J430D	MG RESISTOR	43Ω 1/16W D	1	
	R311	RK73HH1J161D	MG RESISTOR	160Ω 1/16W D	1	
	R312	RK73HH1J620D	MG RESISTOR	62Ω 1/16W D	1	
	R313	RK73HB1J101J	MG RESISTOR	100Ω 1/16W J	1	
	R314	RK73HB1J103J	MG RESISTOR	10kΩ 1/16W J	1	
	R316	RK73HB1J101J	MG RESISTOR	100Ω 1/16W J	1	
	R317	RK73HB1J101J	MG RESISTOR	100Ω 1/16W J	1	
	R318	RK73HB1J101J	MG RESISTOR	100Ω 1/16W J	1	
	R319	RK73HB1J101J	MG RESISTOR	100Ω 1/16W J	1	
	R320	RK73HB1J101J	MG RESISTOR	100Ω 1/16W J	1	
	R321	RK73HB1J101J	MG RESISTOR	100Ω 1/16W J	1	
	R322	RK73HB1J101J	MG RESISTOR	100Ω 1/16W J	1	
	R323	RK73HB1J101J	MG RESISTOR	100Ω 1/16W J	1	
	R324	RK73HB1J101J	MG RESISTOR	100Ω 1/16W J	1	
	R325	RK73GH2A101D	MG RESISTOR	100Ω 1/10W D	1	
	R326	RK73GH2A101D	MG RESISTOR	100Ω 1/10W D	1	
	R327	RK73GH2A101D	MG RESISTOR	100Ω 1/10W D	1	
	R328	RK73GH2A101D	MG RESISTOR	100Ω 1/10W D	1	
	R329	RK73GH2A101D	MG RESISTOR	100Ω 1/10W D	1	
	R330	RK73GH2A101D	MG RESISTOR	100Ω 1/10W D	1	
	R331	RK73GH2A101D	MG RESISTOR	100Ω 1/10W D	1	
	R332	RK73GH2A101D	MG RESISTOR	100Ω 1/10W D	1	
	R333	RK73GH2A101D	MG RESISTOR	100Ω 1/10W D	1	
	R334	RK73PB2H5R1J	MG RESISTOR	5.1Ω 1/2W J	1	
	R335	RK73PB2H5R1J	MG RESISTOR	5.1Ω 1/2W J	1	
	R336	RK73PB2H5R1J	MG RESISTOR	5.1Ω 1/2W J	1	
	R337	RK73PB2H5R1J	MG RESISTOR	5.1Ω 1/2W J	1	
	R338	RK73PB2H5R1J	MG RESISTOR	5.1Ω 1/2W J	1	
	R340	RK73PB2H5R1J	MG RESISTOR	5.1Ω 1/2W J	1	
	R341	RK73PB2H5R1J	MG RESISTOR	5.1Ω 1/2W J	1	
	R342	RK73PB2H5R1J	MG RESISTOR	5.1Ω 1/2W J	1	
	R345	RK73HB1J473J	MG RESISTOR	47kΩ 1/16W J	1	
	R347	RK73HB1J000J	MG RESISTOR	0Ω 1/16W J	1	
	R348	RK73HB1J473J	MG RESISTOR	47kΩ 1/16W J	1	

MODEL	MARK	MODEL	MARK
DDX6702S	K1	DDX6902S	K0

Safe	Symbol No.	Parts No.	Parts Name	Description	QTY	Local
	R350	RK73HB1J000J	MG RESISTOR	0Ω 1/16W J	1	
	R351	RK73HB1J000J	MG RESISTOR	0Ω 1/16W J	1	
	R500	RK73HB1J473J	MG RESISTOR	47kΩ 1/16W J	1	
	R501	RK73HB1J241J	MG RESISTOR	240Ω 1/16W J	1	
	R502	RK73HB1J161J	MG RESISTOR	160Ω 1/16W J	1	
	R507	RK73HB1J101J	MG RESISTOR	100Ω 1/16W J	1	
	R508	RK73HB1J473J	MG RESISTOR	47kΩ 1/16W J	1	
	R509	RK73HB1J473J	MG RESISTOR	47kΩ 1/16W J	1	
	R511	RK73GH2A181D	MG RESISTOR	180Ω 1/10W D	1	
	R513	RK73GH2A181D	MG RESISTOR	180Ω 1/10W D	1	
	R515	RK73GH2A181D	MG RESISTOR	180Ω 1/10W D	1	
	R516	RK73HB1J182J	MG RESISTOR	1.8kΩ 1/16W J	1	
	R517	RK73HB1J242J	MG RESISTOR	2.4kΩ 1/16W J	1	
	R518	RK73HB1J182J	MG RESISTOR	1.8kΩ 1/16W J	1	
	R915	RK73GB2A2R2J	MG RESISTOR	2.2Ω 1/10W J	1	
	RA104	RK74HB1J101J	NET RESISTOR	100Ω 1/16W J	1	
	RA105	RK74HB1J101J	NET RESISTOR	100Ω 1/16W J	1	
	RA106	RK74HB1J101J	NET RESISTOR	100Ω 1/16W J	1	
	RA107	RK74HB1J101J	NET RESISTOR	100Ω 1/16W J	1	
	RA108	RK74HB1J101J	NET RESISTOR	100Ω 1/16W J	1	
	RA109	RK74HB1J101J	NET RESISTOR	100Ω 1/16W J	1	
	RA500	RK74HB1J222J	NET RESISTOR	2.2kΩ 1/16W J	1	
	RA501	RK74HB1J222J	NET RESISTOR	2.2kΩ 1/16W J	1	
	RA502	RK74HB1J222J	NET RESISTOR	2.2kΩ 1/16W J	1	
	L100	NQL77GK-100X	INDUCTOR	10uH K	1	
	L101	LK73G0BER15K	M.CHIP INDUCTOR		1	
	CN301	QGA3501F1-02X	CONNECTOR	W-B (1-2)	1	
	CN302	QGF0534F7-60X	FFC/FPC CONNE	FFC/FPC (1-60)	1	
	CN400	QGF1039F5-04X	FFC/FPC CONNE	FFC/FPC (1-4)	1	
	CN401	QGF0534F7-45X	FFC/FPC CONNE	FFC/FPC (1-45)	1	
	JS500	QSW1279-001	ROTARY ENCODER		1	
	S500	NSW0246-001X	TACT SWITCH		1	
	S501	NSW0246-001X	TACT SWITCH		1	
	S502	NSW0246-001X	TACT SWITCH		1	
	S504	NSW0246-001X	TACT SWITCH		1	
	S506	NSW0246-001X	TACT SWITCH		1	
	VA400	NAF0044-270X	VARIATOR(ZNR)		1	
	VA401	NAF0044-270X	VARIATOR(ZNR)		1	
	VA402	NAF0044-270X	VARIATOR(ZNR)		1	
	VA403	NAF0044-270X	VARIATOR(ZNR)		1	
	VA404	NAF0044-270X	VARIATOR(ZNR)		1	
	VA405	NAF0044-270X	VARIATOR(ZNR)		1	
	VA407	NAF0042-270X	VARIATOR(ZNR)		1	
	VA408	NAF0042-270X	VARIATOR(ZNR)		1	
	VA409	NAF0042-270X	VARIATOR(ZNR)		1	
	VA410	NAF0042-270X	VARIATOR(ZNR)		1	
	X100	NAX1168-001X	CRYSTAL		1	
BT PWB ASSY (LVA11276-04A) <L76>						
	IC301	XC6213B332N-G	MOS IC		1	
	IC310	NJM4565E	BIPOLAR IC		1	
	C3003	CK73GBB1H103K	C CAPACITOR	0.01uF 50V K	1	
	C3004	NCB31HK-104X	C CAPACITOR	0.1uF 50V K	1	
	C3005	CK730AY1C106K	C CAPACITOR	10uF 16V K	1	
	C3006	NCB31CK-105X	C CAPACITOR	1uF 16V K	1	
	C3007	NCB31CK-105X	C CAPACITOR	1uF 16V K	1	
	C3051	CK730AU0J105K	C CAPACITOR	1uF 6.3V K	1	
	C3052	CK730AU0J105K	C CAPACITOR	1uF 6.3V K	1	
	C3101	NCB31CK-105X	C CAPACITOR	1uF 16V K	1	
	C3102	NCB31CK-105X	C CAPACITOR	1uF 16V K	1	
	C3103	CK73HBB1H331K	C CAPACITOR	330pF 50V K	1	
	C3104	CK73HBB1H221K	C CAPACITOR	220pF 50V K	1	
	C3105	CK73HBB1H221K	C CAPACITOR	220pF 50V K	1	
	C3106	NCB31CK-105X	C CAPACITOR	1uF 16V K	1	
	C3107	CK73GBB1H103K	C CAPACITOR	0.01uF 50V K	1	
	C3108	CK730AY1C106K	C CAPACITOR	10uF 16V K	1	
	C3201	NCB31CK-105X	C CAPACITOR	1uF 16V K	1	
	C3202	NCB31CK-105X	C CAPACITOR	1uF 16V K	1	
	C3203	CK73HBB1H331K	C CAPACITOR	330pF 50V K	1	
	C3204	CK73HBB1H221K	C CAPACITOR	220pF 50V K	1	
	C3205	CK73HBB1H221K	C CAPACITOR	220pF 50V K	1	
	C3206	NCB31CK-105X	C CAPACITOR	1uF 16V K	1	
	C3208	CK730AY1C106K	C CAPACITOR	10uF 16V K	1	
	R3000	RK73HB1J222J	MG RESISTOR	2.2kΩ 1/16W J	1	
	R3011	RK73HB1J000J	MG RESISTOR	0Ω 1/16W J	1	
	R3012	RK73HB1J000J	MG RESISTOR	0Ω 1/16W J	1	
	R3013	RK73HB1J000J	MG RESISTOR	0Ω 1/16W J	1	
	R3014	RK73HB1J000J	MG RESISTOR	0Ω 1/16W J	1	
	R3016	RK73HB1J472J	MG RESISTOR	4.7kΩ 1/16W J	1	
	R3018	RK73HB1J222J	MG RESISTOR	2.2kΩ 1/16W J	1	
	R3019	RK73HB1J472J	MG RESISTOR	4.7kΩ 1/16W J	1	
	R3021	RK73HB1J472J	MG RESISTOR	4.7kΩ 1/16W J	1	
	R3101	RK73HB1J153J	MG RESISTOR	15kΩ 1/16W J	1	
	R3102	RK73HB1J153J	MG RESISTOR	15kΩ 1/16W J	1	
	R3103	RK73HB1J153J	MG RESISTOR	15kΩ 1/16W J	1	
	R3104	RK73HB1J472J	MG RESISTOR	4.7kΩ 1/16W J	1	
	R3105	RK73HB1J472J	MG RESISTOR	4.7kΩ 1/16W J	1	
	R3106	RK73HB1J153J	MG RESISTOR	15kΩ 1/16W J	1	
	R3107	RK73HB1J103J	MG RESISTOR	10kΩ 1/16W J	1	
	R3108	RK73HB1J103J	MG RESISTOR	10kΩ 1/16W J	1	
	R3201	RK73HB1J153J	MG RESISTOR	15kΩ 1/16W J	1	
	R3202	RK73HB1J153J	MG RESISTOR	15kΩ 1/16W J	1	

MODEL	MARK	MODEL	MARK
DDX6702S	K1	DDX6902S	K0

Safe	Symbol No.	Parts No.	Parts Name	Description	QTY	Local
	R3203	RK73HB1J153J	MG RESISTOR	15kΩ 1/16W J	1	
	R3204	RK73HB1J472J	MG RESISTOR	4.7kΩ 1/16W J	1	
	R3205	RK73HB1J472J	MG RESISTOR	4.7kΩ 1/16W J	1	
	R3206	RK73HB1J153J	MG RESISTOR	15kΩ 1/16W J	1	
	R3207	RK73HB1J103J	MG RESISTOR	10kΩ 1/16W J	1	
	R3208	RK73HB1J103J	MG RESISTOR	10kΩ 1/16W J	1	
	L3001	LR7320AD100M	CHIP INDUCTOR	10uH	1	
	A301	W0C-0101-20	RF MODULE		1	
	CN301	QGA2001C1-02	W TO B CONNE	W-B (1-2)	1	
	CN311	QGF0534F7-15X	FFC/FPC CONNE	FFC/FPC (1-15)	1	
DVD MECHA PWB ASSY (LVA11172-07A) <L17>						
	IC1	AN41250A-X	IC		1	
	IC2	M12L128168A6TG	SV-DRAM IC		1	
	IC3	WZZ-0024-00	PROGRAMMED IC		1	
	IC4	MN2DS0041MD	IC		1	
	IC5	BD12KA5FP-X	IC		1	
	Q1	2SK3019-X	MOS FET		1	
	Q2	2SK3019-X	MOS FET		1	
	Q3	LSCR523EBFS8	TRANSISTOR		1	
	Q4	2SB1709MG	TRANSISTOR		1	
	Q5	LSCR523EBFS8	TRANSISTOR		1	
	Q6	2SB1709MG	TRANSISTOR		1	
	Q11	LTA014TEB-X	DIGI TRANSISTOR		1	
	Q12	LTA014TEB-X	DIGI TRANSISTOR		1	
	D1	TAN1102W-22-X	IR LED		1	
	D4	TAN1102W-22-X	IR LED		1	
	C1	CK73HBB1E103K	C CAPACITOR	0.01uF 25V K	1	
	C2	NCB20JK-106X	C CAPACITOR	10uF 6.3V K	1	
	C6	NCJ20JM-226X-A	C CAPACITOR	22uF 6.3V M	1	
	C7	CK73HBB1E103K	C CAPACITOR	0.01uF 25V K	1	
	C8	CK73HBB1E103K	C CAPACITOR	0.01uF 25V K	1	
	C10	NCJ30JK-475X-A	C CAPACITOR	4.7uF 6.3V K	1	
	C12	NCB20JK-106X	C CAPACITOR	10uF 6.3V K	1	
	C13	NCB20JK-106X	C CAPACITOR	10uF 6.3V K	1	
	C14	CK73HBB1A104K	C CAPACITOR	0.1uF 10V K	1	
	C16	CK73HBB1C333K	C CAPACITOR	0.033uF 16V K	1	
	C17	CK73HBB1A104K	C CAPACITOR	0.1uF 10V K	1	
	C18	CC73HCH1H120J	C CAPACITOR	12pF 50V J	1	
	C19	CK73HBB1A104K	C CAPACITOR	0.1uF 10V K	1	
	C20	CK73HBB1A104K	C CAPACITOR	0.1uF 10V K	1	
	C21	CK73HBB1A104K	C CAPACITOR	0.1uF 10V K	1	
	C22	CK73HBB1A104K	C CAPACITOR	0.1uF 10V K	1	
	C23	CC73HCH1H120J	C CAPACITOR	12pF 50V J	1	
	C24	NCJAOJK-105W-A	C CAPACITOR	1uF 6.3V K	1	
	C25	NCJAOJK-105W-A	C CAPACITOR	1uF 6.3V K	1	
	C26	CC73HCH1H102J	C CAPACITOR	1000pF 50V J	1	
	C28	NCB20JK-106X	C CAPACITOR	10uF 6.3V K	1	
	C29	NCB20JK-106X	C CAPACITOR	10uF 6.3V K	1	
	C31	NCJ30JK-475X-A	C CAPACITOR	4.7uF 6.3V K	1	
	C33	NCBA1HK-682W	C CAPACITOR	6800pF 50V K	1	
	C34	NCBA1HK-682W	C CAPACITOR	6800pF 50V K	1	
	C35	CC73HCH1H681J	C CAPACITOR	680pF 50V J	1	
	C36	CC73HCH1H471J	C CAPACITOR	470pF 50V J	1	
	C37	NCB20JK-106X	C CAPACITOR	10uF 6.3V K	1	
	C38	NCB20JK-106X	C CAPACITOR	10uF 6.3V K	1	
	C45	CK73HBB1A104K	C CAPACITOR	0.1uF 10V K	1	
	C47	CK73HBB1A104K	C CAPACITOR	0.1uF 10V K	1	
	C48	CK73HBB1H222K	C CAPACITOR	2200pF 50V K	1	
	C49	CK73HBB1A104K	C CAPACITOR	0.1uF 10V K	1	
	C50	CK73HBB1H222K	C CAPACITOR	2200pF 50V K	1	
	C51	CK73HBB1H472K	C CAPACITOR	4700pF 50V K	1	
	C52	CK73HBB1E103K	C CAPACITOR	0.01uF 25V K	1	
	C53	CK73HBB1H222K	C CAPACITOR	2200pF 50V K	1	
	C55	CK73HBB1A104K	C CAPACITOR	0.1uF 10V K	1	
	C56	CK73HBB1H222K	C CAPACITOR	2200pF 50V K	1	
	C57	CK73HBB1E103K	C CAPACITOR	0.01uF 25V K	1	
	C58	CK73HBB1E103K	C CAPACITOR	0.01uF 25V K	1	
	C59	CK73HBB1A104K	C CAPACITOR	0.1uF 10V K	1	
	C60	CK73HBB1A104K	C CAPACITOR	0.1uF 10V K	1	
	C61	CK73HBB1A104K	C CAPACITOR	0.1uF 10V K	1	
	C62	CK73HBB1A104K	C CAPACITOR	0.1uF 10V K	1	
	C63	CK73HBB1A104K	C CAPACITOR	0.1uF 10V K	1	
	C64	CK73HBB1A104K	C CAPACITOR	0.1uF 10V K	1	
	C65	CK73HBB1A104K	C CAPACITOR	0.1uF 10V K	1	
	C66	CK73HBB1A104K	C CAPACITOR	0.1uF 10V K	1	
	C67	CK73HBB1A104K	C CAPACITOR	0.1uF 10V K	1	
	C68	CK73HBB1E103K	C CAPACITOR	0.01uF 25V K	1	
	C70	NCJAOJK-105W-A	C CAPACITOR	1uF 6.3V K	1	
	C71	CK73HBB1A104K	C CAPACITOR	0.1uF 10V K	1	
	C74	CK73HBB1A104K	C CAPACITOR	0.1uF 10V K	1	
	C75	CC73HCH1H101J	C CAPACITOR	100pF 50V J	1	
	C76	NCJ20JM-226X-A	C CAPACITOR	22uF 6.3V M	1	
	C77	CK73HBB1A104K	C CAPACITOR	0.1uF 10V K	1	
	C78	NCJ30JK-475X-A	C CAPACITOR	4.7uF 6.3V K	1	
	C79	CK73HBB1H222K	C CAPACITOR	2200pF 50V K	1	
	C80	CK73HBB1H222K	C CAPACITOR	2200pF 50V K	1	
	C81	NCJAOJK-105W-A	C CAPACITOR	1uF 6.3V K	1	
	C82	NCJAOJK-105W-A	C CAPACITOR	1uF 6.3V K	1	
	C84	NCB20JK-106X	C CAPACITOR	10uF 6.3V K	1	
	C85	CK73HBB1A104K	C CAPACITOR	0.1uF 10V K	1	
	C86	CK73HBB1A104K	C CAPACITOR	0.1uF 10V K	1	
	C87	CK73HBB1A104K	C CAPACITOR	0.1uF 10V K	1	

MODEL	MARK	MODEL	MARK
DDX6702S	K1	DDX6902S	K0

Safe	Symbol No.	Parts No.	Parts Name	Description	QTY	Local
	C88	CK73HBB1A104K	C CAPACITOR	0.1uF 10V K	1	
	C89	CK73HBB1A104K	C CAPACITOR	0.1uF 10V K	1	
	C90	CK73HBB1A104K	C CAPACITOR	0.1uF 10V K	1	
	C91	CK73HBB1A104K	C CAPACITOR	0.1uF 10V K	1	
	C92	CK73HBB1A104K	C CAPACITOR	0.1uF 10V K	1	
	C93	CK73HBB1A104K	C CAPACITOR	0.1uF 10V K	1	
	C94	NCJ20JM-226X-A	C CAPACITOR	22uF 6.3V M	1	
	C95	NCJ20JM-226X-A	C CAPACITOR	22uF 6.3V M	1	
	C96	NCJ20JM-226X-A	C CAPACITOR	22uF 6.3V M	1	
	C101	NCJ20JM-226X-A	C CAPACITOR	22uF 6.3V M	1	
	C102	NCJ20JM-226X-A	C CAPACITOR	22uF 6.3V M	1	
	C103	CK73HBB1H222K	C CAPACITOR	2200pF 50V K	1	
	C104	CK73HBB1H222K	C CAPACITOR	2200pF 50V K	1	
	C105	CC73HCH1H150J	C CAPACITOR	15pF 50V J	1	
	R1	RK73GB2A561J	MG RESISTOR	560Ω 1/10W J	1	
	R2	RK73HB1J271J	MG RESISTOR	270Ω 1/16W J	1	
	R3	RK73HB1J301J	MG RESISTOR	300Ω 1/16W J	1	
	R4	RK73GB2A561J	MG RESISTOR	560Ω 1/10W J	1	
	R5	RK73HB1J163J	MG RESISTOR	16kΩ 1/16W J	1	
	R6	RK73HB1J103J	MG RESISTOR	10kΩ 1/16W J	1	
	R7	RK73HB1J103J	MG RESISTOR	10kΩ 1/16W J	1	
	R8	RK73HB1J103J	MG RESISTOR	10kΩ 1/16W J	1	
	R9	RK73HB1J333J	MG RESISTOR	33kΩ 1/16W J	1	
	R10	RK73HB1J103J	MG RESISTOR	10kΩ 1/16W J	1	
	R11	RK73HB1J103J	MG RESISTOR	10kΩ 1/16W J	1	
	R12	RK73HB1J103J	MG RESISTOR	10kΩ 1/16W J	1	
	R13	RK73HB1J101J	MG RESISTOR	100Ω 1/16W J	1	
	R14	RK73HB1J101J	MG RESISTOR	100Ω 1/16W J	1	
	R15	RK73HB1J102J	MG RESISTOR	1kΩ 1/16W J	1	
	R16	RK73HB1J102J	MG RESISTOR	1kΩ 1/16W J	1	
	R17	RK73HB1J105J	MG RESISTOR	1MΩ 1/16W J	1	
	R18	RK73HH1J303D	MG RESISTOR	30kΩ 1/16W D	1	
	R19	RK73HB1J223J	MG RESISTOR	22kΩ 1/16W J	1	
	R20	RK73HB1J471J	MG RESISTOR	470Ω 1/16W J	1	
	R21	RK73HB1J100J	MG RESISTOR	10Ω 1/16W J	1	
	R22	RK73HB1J560J	MG RESISTOR	56Ω 1/16W J	1	
	R23	RK73HB1J2R2J	MG RESISTOR	2.2Ω 1/16W J	1	
	R25	RK73HB1J471J	MG RESISTOR	470Ω 1/16W J	1	
	R27	RK73HB1J471J	MG RESISTOR	470Ω 1/16W J	1	
	R28	RK73HB1J100J	MG RESISTOR	10Ω 1/16W J	1	
	R29	RK73HB1J560J	MG RESISTOR	56Ω 1/16W J	1	
	R30	RK73HB1J2R2J	MG RESISTOR	2.2Ω 1/16W J	1	
	R31	RK73PB2H270J	MG RESISTOR	27Ω 1/2W J	1	
	R32	RK73HB1J203J	MG RESISTOR	20kΩ 1/16W J	1	
	R33	RK73HB1J333J	MG RESISTOR	33kΩ 1/16W J	1	
	R34	RK73HB1J471J	MG RESISTOR	470Ω 1/16W J	1	
	R35	RK73PB2H270J	MG RESISTOR	27Ω 1/2W J	1	
	R51	RK73HB1J223J	MG RESISTOR	22kΩ 1/16W J	1	
	R52	RK73HB1J223J	MG RESISTOR	22kΩ 1/16W J	1	
	R53	NR20098-R27X	MG RESISTOR	0.27Ω	1	
	R54	RK73HB1J103J	MG RESISTOR	10kΩ 1/16W J	1	
	R55	RK73HB1J101J	MG RESISTOR	100Ω 1/16W J	1	
	R56	RK73HB1J103J	MG RESISTOR	10kΩ 1/16W J	1	
	R57	RK73HB1J103J	MG RESISTOR	10kΩ 1/16W J	1	
	R58	RK73HB1J103J	MG RESISTOR	10kΩ 1/16W J	1	
	R59	RK73HB1J103J	MG RESISTOR	10kΩ 1/16W J	1	
	R60	RK73HB1J821J	MG RESISTOR	820Ω 1/16W J	1	
	R61	RK73HB1J242J	MG RESISTOR	2.4kΩ 1/16W J	1	
	R62	RK73HB1J103J	MG RESISTOR	10kΩ 1/16W J	1	
	R63	RK73HB1J332J	MG RESISTOR	3.3kΩ 1/16W J	1	
	R64	RK73HB1J202J	MG RESISTOR	2kΩ 1/16W J	1	
	R65	RK73HB1J102J	MG RESISTOR	1kΩ 1/16W J	1	
	R66	RK73HB1J102J	MG RESISTOR	1kΩ 1/16W J	1	
	R69	RK73HB1J101J	MG RESISTOR	100Ω 1/16W J	1	
	R70	RK73HB1J102J	MG RESISTOR	1kΩ 1/16W J	1	
	R71	RK73HB1J330J	MG RESISTOR	33Ω 1/16W J	1	
	R73	RK73HB1J472J	MG RESISTOR	4.7kΩ 1/16W J	1	
	R74	RK73HB1J4R7J	MG RESISTOR	4.7Ω 1/16W J	1	
	R76	RK73HB1J472J	MG RESISTOR	4.7kΩ 1/16W J	1	
	R77	RK73HB1J4R7J	MG RESISTOR	4.7Ω 1/16W J	1	
	R78	RK73HB1J221J	MG RESISTOR	220Ω 1/16W J	1	
	R79	RK73HB1J221J	MG RESISTOR	220Ω 1/16W J	1	
	R80	RK73HB1J103J	MG RESISTOR	10kΩ 1/16W J	1	
	R85	RK73HB1J820J	MG RESISTOR	82Ω 1/16W J	1	
	R86	RK73HB1J102J	MG RESISTOR	1kΩ 1/16W J	1	
	R92	RK73HB1J103J	MG RESISTOR	10kΩ 1/16W J	1	
	R95	RK73HB1J470J	MG RESISTOR	47Ω 1/16W J	1	
	R96	RK73HB1J103J	MG RESISTOR	10kΩ 1/16W J	1	
	R105	RK73HB1J101J	MG RESISTOR	100Ω 1/16W J	1	
	R106	RK73HB1J103J	MG RESISTOR	10kΩ 1/16W J	1	
	R107	RK73HB1J221J	MG RESISTOR	220Ω 1/16W J	1	
	R108	RK73HB1J221J	MG RESISTOR	220Ω 1/16W J	1	
	R113	RK73HB1J470J	MG RESISTOR	47Ω 1/16W J	1	
	CN1	QGF0534F7-26X	FFC/FPC CONNE	FFC/FPC (1-26)	1	
	CN4	QGF0534F7-40X	FFC/FPC CONNE	FFC/FPC (1-40)	1	
	CN5	QGF0534F7-18X	FFC/FPC CONNE	FFC/FPC (1-18)	1	
	PH1	PS1192HB-22-X	OPT TRANSMITTER		1	
	PH2	PS1192HB-22-X	OPT TRANSMITTER		1	
	S1	NSW0351-001X	LEVER SWITCH		1	
	TH1	NAD0055-103X	N THERMISTOR	10kΩ	1	
	X1	NAX1135-001X	CRYSTAL		1	