

## PARTS LIST

\* New Parts.  $\Delta$  indicates safety critical components.

Parts without **Parts No.** are not supplied.

Les articles non mentionnés dans le **Parts No.** ne sont pas fournis.

Teile ohne **Parts No.** werden nicht geliefert.

L : Scandinavia

Y : PX (Far East, Hawaii)

Y : AAFES (Europe)

K : USA

T : England

X : Australia

P : Canada

E : Europe

M : Other Areas

**TK-7160H (Y51-5060-XX)**  
**DISPLAY UNIT (X54-3510-10)**  
**TX-RX UNIT (X57-7080-11)**

Ref. No.	Address	New parts	Parts No.	Description	Desti-nation	Ref. No.	Address	New parts	Parts No.	Description	Desti-nation
<b>TK-7160H</b>						C15			CK73GB1H471K	CHIP C 470PF	K
1	1B	*	A02-3899-01	PLASTIC CABINET		C16,17			CK73GB1A105K	CHIP C 1.0UF	K
2	3A	*	A62-1107-13	PANEL ASSY		C18			CK73GB1C104K	CHIP C 0.10UF	K
4	3A	*	B43-1179-04	BADGE		C19,20			CC73GCH1H101J	CHIP C 100PF	J
5	1D	*	B62-1829-00	INSTRUCTION MANUAL		C21			CK73GB1H681K	CHIP C 680PF	K
6	3B	*	B72-2308-04	MODEL NAME-PLATE		C22,23			CK73GB1H102K	CHIP C 1000PF	K
8	3B		E04-0167-05	RF COAXIAL RECEPTACLE (M)		C24			CK73GB1H103K	CHIP C 0.010UF	K
9	3C		E30-3339-05	DC CORD ACCESSORY		C25			CK73GB1H102K	CHIP C 1000PF	K
10	2B		E30-3448-05	DC CORD		C27			CC73GCH1H101J	CHIP C 100PF	J
11	3A		E37-1082-05	SPEAKER CABLE		C30			CK73GB1H102K	CHIP C 1000PF	K
12	2A		E37-1097-05	FLAT CABLE (TX/RX-DISP)		103	2A	*	E29-1206-05	INTER CONNECTOR	
14	2B		F10-2449-11	SHIELDING COVER (UPPER)		CN1			E40-6005-05	FLAT CABLE CONNECTOR	
15	3C		F51-0017-15	FUSE (6X30) 15A ACCESSORY		J1			E08-0877-05	MODULAR JACK	
17	2B		G02-0894-04	EARTH SPRING (FINAL FET)		104	3A	*	J21-8494-03	MOUNTING HARDWARE	
18	2A		G10-1296-04	FIBROUS SHEET (FLAT CABLE)		-		*	J31-0553-05	COLLAR	
19	2A		G10-1324-04	FIBROUS SHEET (DISP)		L1			L92-0138-05	CHIP FERRITE	
20	3B		G11-4127-14	RUBBER SHEET (CHASSIS)		CP1			R90-0724-05	MULTI-COMP 1K X4	
21	2B		G11-4240-04	RUBBER SHEET (DRIVE FET)		R1			RK73GB1J101J	CHIP R 100 J 1/16W	
23	3B		G13-1468-04	CUSHION (DC CABLE)		R2			RK73GB1J100J	CHIP R 10 J 1/16W	
24	2B		G53-1542-03	PACKING (PHONE JACK)		R3-5			RK73GB1J102J	CHIP R 1.0K J 1/16W	
25	1B		G53-1544-01	PACKING (CABINET)		R6-8			RK73GB1J103J	CHIP R 10K J 1/16W	
26	1A		G53-1548-02	GASKETTING		R9			RK73GB1J563J	CHIP R 56K J 1/16W	
27	3B	*	G53-1664-03	PACKING (PANEL)		R10,11			RK73FB2A331J	CHIP R 330 J 1/10W	
29	2C,1D	*	H12-3178-05	PACKING FIXTURE		R14			RK73FB2A473J	CHIP R 47K J 1/10W	
30	3D		H13-1190-02	CARTON BOARD		R15,16			RK73FB2A330J	CHIP R 33 J 1/10W	
31	1D		H25-2341-04	PROTECTION BAG		R17,18			RK73FB2A390J	CHIP R 39 J 1/10W	
32	2D	*	H52-2088-02	ITEM CARTON CASE		R19			RK73GB1J392J	CHIP R 3.9K J 1/16W	
34	3C		J19-1584-05	MIC HOLDER ACCESSORY	K	R20			R92-0670-05	CHIP R 0 OHM	
35	3D		J29-0662-03	BRACKET ACCESSORY		R21			R92-1252-05	CHIP R 0 OHM J 1/16W	
37	3A	*	K29-9342-01	KEY TOP		R22			RK73FB2A181J	CHIP R 180 J 1/10W	
A	2B		N67-2608-48	PAN HEAD SEMS SCREW		R23			RK73FB2A820J	CHIP R 82 J 1/10W	
B	2A	*	N80-2008-48	PAN HEAD TAPTITE SCREW		R24,25			RK73GB1J103J	CHIP R 10K J 1/16W	
C	2B,3B	*	N87-2606-48	BRAZIER HEAD TAPTITE SCREW		R26,27			RK73GB1J102J	CHIP R 1.0K J 1/16W	
D	1B,2B	*	N87-2614-48	BRAZIER HEAD TAPTITE SCREW		R28-31			RK73GB1J390J	CHIP R 39 J 1/16W	
39	3D	*	N99-0395-05	SCREW SET ACCESSORY		D20,21		*	MC2850	DIODE	
41	3A		T07-0739-05	SPEAKER		IC1			LC75854W	MOS-IC	
42	2C		T91-0639-05	MICROPHONE ACCESSORY	K	IC1			PT6554LQ	MOS-IC	
<b>DISPLAY UNIT (X54-3510-10)</b>						Q1			RN47A4	TRANSISTOR	
101	2A	*	B11-1829-03	ILLUMINATION GUIDE		Q2			2SB1132(Q,R)	TRANSISTOR	
102	2A	*	B38-0902-05	LCD		Q3			KRA225S	DIGITAL TRANSISTOR	
D1-6			B30-2282-05	LED (Y)		Q4			KRC102S	DIGITAL TRANSISTOR	
D7-18			B30-2281-05	LED (Y)		Q7,8		*	2SC3928A	TRANSISTOR	
D22			B30-2151-05	LED (R/G)		<b>TX-RX UNIT (X57-7080-11)</b>					
C1			CK73GB1H103K	CHIP C 0.010UF	K	C10			CK73HB1H102K	CHIP C 1000PF	K
C6,7			CK73GB1H102K	CHIP C 1000PF	K	C13-31			CK73HB1H471K	CHIP C 470PF	K
C9			CK73GB1H102K	CHIP C 1000PF	K	C41			CK73GB1H221K	CHIP C 220PF	K
C10			CK73GB1H103K	CHIP C 0.010UF	K	C42			CK73GB1H471K	CHIP C 470PF	K
C11-14			CK73GB1H102K	CHIP C 1000PF	K	C43			CK73GB1H102K	CHIP C 1000PF	K

## PARTS LIST

## TX-RX UNIT (X57-7080-11)

Ref. No.	Address	New parts	Parts No.	Description	Destination	Ref. No.	Address	New parts	Parts No.	Description	Destination
C46,47			CK73GB1H221K	CHIP C 220PF K		C256			CK73GB1H331K	CHIP C 330PF K	
C48			CK73GB1H102K	CHIP C 1000PF K		C257			CC73HCH1H090B	CHIP C 9.0PF B	
C49			C92-0721-05	ELECTRO 330UF 25WV		C259			CK73HB1H221K	CHIP C 220PF K	
C50-53			CK73GB1H102K	CHIP C 1000PF K		C260			CK73GB1A474K	CHIP C 0.47UF K	
C54,55			CK73GB1C104K	CHIP C 0.10UF K		C261			CK73HB1A104K	CHIP C 0.10UF K	
C56			C92-0795-05	CHIP-TAN 22UF 10WV		C262			CK73GB1A105K	CHIP C 1.0UF K	
C57			CK73GB1H103K	CHIP C 0.010UF K		C263			CK73GB1H103K	CHIP C 0.010UF K	
C58-60			C92-0795-05	CHIP-TAN 22UF 10WV		C264			CC73HCH1H330J	CHIP C 33PF J	
C63			CK73GB1E103K	CHIP C 0.010UF K		C265			CK73HB1H391K	CHIP C 390PF K	
C64,65			CK73GB1H103K	CHIP C 0.010UF K		C266			CK73GB1C104K	CHIP C 0.10UF K	
C66			C92-0560-05	CHIP-TAN 10UF 6.3WV		C267			CK73HB1A104K	CHIP C 0.10UF K	
C67,68			CK73GB1H102K	CHIP C 1000PF K		C268			CC73HCH1H181J	CHIP C 180PF J	
C69,70			CK73GB1C104K	CHIP C 0.10UF K		C269			C92-0507-05	CHIP-TAN 4.7UF 6.3WV	
C71			CK73GB1H102K	CHIP C 1000PF K		C270			C92-0560-05	CHIP-TAN 10UF 6.3WV	
C81,82			CK73GB1H102K	CHIP C 1000PF K		C271			CK73HB1A104K	CHIP C 0.10UF K	
C85			CK73HB1H102K	CHIP C 1000PF K		C272			C92-0507-05	CHIP-TAN 4.7UF 6.3WV	
C86			CK73HB1A104K	CHIP C 0.10UF K		C273,274		*	CK73HB1H681K	CHIP C 680PF K	
C88			CC73HCH1H180J	CHIP C 18PF J		C275,276			CK73HB1H102K	CHIP C 1000PF K	
C89,90			CC73HCH1H060B	CHIP C 6.0PF B		C281			CK73GB1H102K	CHIP C 1000PF K	
C91			CC73HCH1H180J	CHIP C 18PF J		C282			CK73GB1A105K	CHIP C 1.0UF K	
C93,94			CK73GB1H102K	CHIP C 1000PF K		C283			CK73FB1C224K	CHIP C 0.22UF K	
C96			CK73GB1H102K	CHIP C 1000PF K		C284			CK73GB1C104K	CHIP C 0.10UF K	
C101			CK73GB1H102K	CHIP C 1000PF K		C285			C92-0516-05	CHIP-TAN 4.7UF 16WV	
C102			CK73GB1C104K	CHIP C 0.10UF K		C286			C92-0040-05	CHIP-ELE 47UF 16WV	
C106			CK73GB1C104K	CHIP C 0.10UF K		C287			C92-0722-05	ELECTRO 470UF 16WV	
C110-117			CK73HB1C103K	CHIP C 0.010UF K		C288-290			CK73GB1H102K	CHIP C 1000PF K	
C201			CK73GB1C104K	CHIP C 0.10UF K		C293			CK73GB1A105K	CHIP C 1.0UF K	
C202			C92-0507-05	CHIP-TAN 4.7UF 6.3WV		C301			C92-0507-05	CHIP-TAN 4.7UF 6.3WV	
C203			CK73GB1C333K	CHIP C 0.033UF K		C302			CK73GB1H102K	CHIP C 1000PF K	
C204			CK73GB1H102K	CHIP C 1000PF K		C303			CK73GB1H472K	CHIP C 4700PF K	
C205			CK73HB1H182K	CHIP C 1800PF K		C304			CC73GCH1H331J	CHIP C 330PF J	
C206			CK73GB1H102K	CHIP C 1000PF K		C305			CK73GB1H561K	CHIP C 560PF K	
C211			CK73GB1H183K	CHIP C 0.018UF K		C306			CK73GB1H102K	CHIP C 1000PF K	
C212			CK73HB1H152K	CHIP C 1500PF K		C307			CK73GB1E223K	CHIP C 0.022UF K	
C213			CK73GB1C104K	CHIP C 0.10UF K		C308			CK73GB1H102K	CHIP C 1000PF K	
C214			CC73HCH1H390J	CHIP C 39PF J		C309			CK73GB1E223K	CHIP C 0.022UF K	
C215			CK73HB1A104K	CHIP C 0.10UF K		C310			CK73FB1C334K	CHIP C 0.33UF K	
C216			C92-0514-05	CHIP-TAN 2.2UF 10WV		C321			CK73GB1H103K	CHIP C 0.010UF K	
C217			CK73HB1H471K	CHIP C 470PF K		C322-324			CK73GB1C104K	CHIP C 0.10UF K	
C218-221			CK73GB1C104K	CHIP C 0.10UF K		C325			C92-0662-05	CHIP-TAN 15UF 6.3WV	
C222,223			CK73HB1A104K	CHIP C 0.10UF K		C326			CK73GB1H103K	CHIP C 0.010UF K	
C224			CK73GB1H103K	CHIP C 0.010UF K		C331-333			CK73GB1C104K	CHIP C 0.10UF K	
C225			CK73GB1C104K	CHIP C 0.10UF K		C341			CC73GCH1H101J	CHIP C 100PF J	
C226			CK73HB1H471K	CHIP C 470PF K		C343			CC73GCH1H680J	CHIP C 68PF J	
C227			CK73HB1A104K	CHIP C 0.10UF K		C344			CC73GCH1H560J	CHIP C 56PF J	
C228,229			CK73GB1A105K	CHIP C 1.0UF K		C345			CC73GCH1H271J	CHIP C 270PF J	
C230			C92-0560-05	CHIP-TAN 10UF 6.3WV		C346			CK73GB1H103K	CHIP C 0.010UF K	
C231			C92-0662-05	CHIP-TAN 15UF 6.3WV		C349,350			CK73GB1E103K	CHIP C 0.010UF K	
C233			CK73GB1H471K	CHIP C 470PF K		C351			CC73GCH1H330J	CHIP C 33PF J	
C234			CC73HCH1H050B	CHIP C 5.0PF B		C353			CK73GB1H103K	CHIP C 0.010UF K	
C235			CK73HB1H102K	CHIP C 1000PF K		C354			CC73GCH1H030B	CHIP C 3.0PF B	
C236			CC73HCH1H050B	CHIP C 5.0PF B		C355			CC73GCH1H180J	CHIP C 18PF J	
C237,238			CK73HB1H102K	CHIP C 1000PF K		C356			CC73GCH1H060B	CHIP C 6.0PF B	
C241-248			CK73HB1H471K	CHIP C 470PF K		C357			CK73GB1H103K	CHIP C 0.010UF K	
C249,250			CC73HCH1H050B	CHIP C 5.0PF B		C358			CK73GB1H102K	CHIP C 1000PF K	
C251			CK73HB1A473K	CHIP C 0.047UF K		C359			CC73GCH1H080B	CHIP C 8.0PF B	
C252			CK73HB1A104K	CHIP C 0.10UF K		C360-362			CK73GB1H102K	CHIP C 1000PF K	
C253			CK73GB1H102K	CHIP C 1000PF K		C363			CK73GB1H103K	CHIP C 0.010UF K	
C254			CK73GB1H332K	CHIP C 3300PF K		C364			CK73GB1H102K	CHIP C 1000PF K	
C255			CC73HCH1H560J	CHIP C 56PF J		C366			CK73GB1C104K	CHIP C 0.10UF K	

## PARTS LIST

TX-RX UNIT (X57-7080-11)

Ref. No.	Address	New parts	Parts No.	Description	Destination	Ref. No.	Address	New parts	Parts No.	Description	Destination
C367			CC73GCH1H151J	CHIP C 150PF J		C468			CK73GB1H221K	CHIP C 220PF K	
C368			CC73GCH1H270J	CHIP C 27PF J		C469			CC73GCH1H060B	CHIP C 6.0PF B	
C369			CC73GCH1H2R5B	CHIP C 2.5PF B		C470			CC73GCH1H020B	CHIP C 2.0PF B	
C370			CK73GB1H102K	CHIP C 1000PF K		C471			CC73GCH1H030B	CHIP C 3.0PF B	
C371			CC73GCH1H020B	CHIP C 2.0PF B		C472			CK73GB1H102K	CHIP C 1000PF K	
C372			CK73GB1H102K	CHIP C 1000PF K		C473			CK73GB1H221K	CHIP C 220PF K	
C373			CC73GCH1H070B	CHIP C 7.0PF B		C474,475			CK73GB1H102K	CHIP C 1000PF K	
C374			CC73GCH1H270J	CHIP C 27PF J		C476			CC73GCH1H180J	CHIP C 18PF J	
C375-379			CK73GB1H102K	CHIP C 1000PF K		C477			CK73GB1H102K	CHIP C 1000PF K	
C380			CC73GCH1H101G	CHIP C 100PF G		C478			CC73GCH1H100C	CHIP C 10PF C	
C381			CC73GCH1H080B	CHIP C 8.0PF B		C479			CC73GCH1H220J	CHIP C 22PF J	
C382			CC73GCH1H330J	CHIP C 33PF J		C480			CC73GCH1H101J	CHIP C 100PF J	
C383			CK73GB1H102K	CHIP C 1000PF K		C481-483			CK73GB1H102K	CHIP C 1000PF K	
C384			CC73GCH1H010B	CHIP C 1.0PF B		C484			CK73GB1H221K	CHIP C 220PF K	
C385			CC73GCH1H100C	CHIP C 10PF C		C487			CC73GCH1H110G	CHIP C 11PF G	
C386			CC73GCH1H360J	CHIP C 36PF J		C501,502			CK73GB1H102K	CHIP C 1000PF K	
C387			CK73GB1H102K	CHIP C 1000PF K		C503			CC73GCH1H101J	CHIP C 100PF J	
C388			CC73GCH1H070B	CHIP C 7.0PF B		C504-507			CK73GB1H102K	CHIP C 1000PF K	
C390			CC73GCH1H090B	CHIP C 9.0PF B		C509			CC73GCH1H150J	CHIP C 15PF J	
C391			CC73GCH1H160G	CHIP C 16PF G		C510			CC73GCH1H080B	CHIP C 8.0PF B	
C392			CK73GB1H102K	CHIP C 1000PF K		C513-515			CK73GB1H102K	CHIP C 1000PF K	
C401,402			CK73GB1H102K	CHIP C 1000PF K		C516			CC73GCH1H270J	CHIP C 27PF J	
C403			CC73GCH1H101J	CHIP C 100PF J		C517			CK73GB1H821K	CHIP C 820PF K	
C404,405			CC73HCH1H101J	CHIP C 100PF J		C518			CC73GCH1H030B	CHIP C 3.0PF B	
C406			CC73GCH1H020B	CHIP C 2.0PF B		C519			CC73GCH1H330J	CHIP C 33PF J	
C407			CK73GB1H102K	CHIP C 1000PF K		C520			CC73GCH1H820J	CHIP C 82PF J	
C409			CC73HCH1H220J	CHIP C 22PF J		C523	*		CK73FB1H102K	CHIP C 1000PF K	
C410,411			CK73GB1C104K	CHIP C 0.10UF K		C525			CK73GB1H681K	CHIP C 680PF K	
C412			C92-0560-05	CHIP-TAN 10UF 6.3WV		C527	*		CK73FB1H102K	CHIP C 1000PF K	
C413			CK73GB1C104K	CHIP C 0.10UF K		C528,529			CK73GB1H102K	CHIP C 1000PF K	
C414			C92-0560-05	CHIP-TAN 10UF 6.3WV		C530			CK73GB1H221K	CHIP C 220PF K	
C415			CK73HB1C103K	CHIP C 0.010UF K		C531	*		CK73FB1H102K	CHIP C 1000PF K	
C416			CK73GB1C104K	CHIP C 0.10UF K		C532			CK73FB1C474K	CHIP C 0.47UF K	
C422,423			CK73HB1H102K	CHIP C 1000PF K		C533			C92-0719-05	ELECTRO 47UF 25WV	
C424			CK73GB1H471K	CHIP C 470PF K		C535			C93-0572-05	CHIP C 100PF J	
C425			C92-0555-05	CHIP-TAN 0.047UF 35WV		C545			CM73F2H221J	CHIP C 220PF J	
C426			C92-0514-05	CHIP-TAN 2.2UF 10WV		C546			CM73F2H680J	CHIP C 68PF J	
C427			C92-0001-05	CHIP-TAN 0.1UF 35WV		C548			C93-0603-05	CHIP C 1000PF K	
C431			CK73GB1H102K	CHIP C 1000PF K		C549			CK73FB1C474K	CHIP C 0.47UF K	
C434			CK73GB1H471K	CHIP C 470PF K		C550			CK73GB1H102K	CHIP C 1000PF K	
C441			CC73GCH1H300J	CHIP C 30PF J		C552			CK73GB1H221K	CHIP C 220PF K	
C442			CC73GCH1H080B	CHIP C 8.0PF B		C553			C93-0563-05	CHIP C 18PF J	
C443			CK73GB1H471K	CHIP C 470PF K		C554			C93-0560-05	CHIP C 10PF D	
C444			CC73GCH1H010B	CHIP C 1.0PF B		C555			C93-0603-05	CHIP C 1000PF K	
C445			CC73GCH1H4R5B	CHIP C 4.5PF B		C556			C93-0557-05	CHIP C 7.0PF D	
C446			CC73GCH1H050B	CHIP C 5.0PF B		C557			C93-0603-05	CHIP C 1000PF K	
C447			CC73GCH1H0R3B	CHIP C 0.3PF B		C558,559			CK73GB1H103K	CHIP C 0.010UF K	
C451			CK73GB1H471K	CHIP C 470PF K		C560			C93-0603-05	CHIP C 1000PF K	
C453			CC73GCH1H151J	CHIP C 150PF J		C602			C93-0561-05	CHIP C 12PF J	
C454			CC73GCH1H100C	CHIP C 10PF C		C603			C93-0603-05	CHIP C 1000PF K	
C455			CC73GCH1HR75B	CHIP C 0.75PF B		C605			C93-0562-05	CHIP C 15PF J	
C456			CK73GB1H471K	CHIP C 470PF K		C606			CC73GCH1H0R5B	CHIP C 0.5PF B	
C457			CC73GCH1HR75B	CHIP C 0.75PF B		C607			CC73GCH1H040B	CHIP C 4.0PF B	
C458			CC73GCH1H100C	CHIP C 10PF C		C608			C93-0565-05	CHIP C 27PF J	
C459			CC73GCH1H110G	CHIP C 11PF G		C610			CC73GCH1H0R5B	CHIP C 0.5PF B	
C460			CC73GCH1H0R5B	CHIP C 0.5PF B		C611			CC73GCH1H020B	CHIP C 2.0PF B	
C461			C92-0560-05	CHIP-TAN 10UF 6.3WV		C613			C93-0565-05	CHIP C 27PF J	
C463,464			CK73GB1H471K	CHIP C 470PF K		C615			CC73GCH1H0R5B	CHIP C 0.5PF B	
C465			C92-0795-05	CHIP-TAN 22UF 10WV		C616			CC73GCH1H020B	CHIP C 2.0PF B	
C466,467			CK73GB1H471K	CHIP C 470PF K		C617			C93-0564-05	CHIP C 22PF J	

# TK-7160H

## PARTS LIST

### TX-RX UNIT (X57-7080-11)

Ref. No.	Address	New parts	Parts No.	Description	Destination	Ref. No.	Address	New parts	Parts No.	Description	Destination
C618-620			CK73GB1H102K	CHIP C 1000PF K		R1			R92-1252-05	CHIP R 0 OHM J 1/16W	
C626			C93-0553-05	CHIP C 3.0PF C		R2			RK73HB1J101J	CHIP R 100 J 1/16W	
C651			CK73GB1H103K	CHIP C 0.010UF K		R3			RK73HB1J102J	CHIP R 1.0K J 1/16W	
C652			CK73GB1H471K	CHIP C 470PF K		R4			RK73HB1J332J	CHIP R 3.3K J 1/16W	
C672,673			CK73GB1H102K	CHIP C 1000PF K		R5			RK73HB1J223J	CHIP R 22K J 1/16W	
TC441,442			C05-0245-05	CERAMIC TRIMMER (10PF)		R41			RK73GB1J473J	CHIP R 47K J 1/16W	
-		*	E37-1161-05	SHORT PLUG (FOR CN6)		R42			RK73GB1J472J	CHIP R 4.7K J 1/16W	
CN1			E40-6268-05	FLAT CABLE CONNECTOR		R43			RK73GB1J473J	CHIP R 47K J 1/16W	
CN2			E40-5702-05	PIN ASSY		R44			RK73GB1J472J	CHIP R 4.7K J 1/16W	
CN3			E40-6292-05	PIN ASSY		R45			RK73GB1J473J	CHIP R 47K J 1/16W	
CN5			E40-3246-05	PIN ASSY		R46			RK73GB1J152J	CHIP R 1.5K J 1/16W	
CN6		*	E40-6433-05	PIN ASSY		R47			RK73GB1J103J	CHIP R 10K J 1/16W	
J1			E11-0425-05	3.5D PHONE JACK (3P)		R48			RK73HB1J334J	CHIP R 330K J 1/16W	
F41			F53-0246-05	FUSE (4.0A 50V)		R49			RK73HB1J474J	CHIP R 470K J 1/16W	
F501			F53-0108-05	FUSE (1.8A 50V) DRIVE FET		R50			RK73HB1J394J	CHIP R 390K J 1/16W	
CF301			L72-0993-05	CERAMIC FILTER		R51			RK73HB1J334J	CHIP R 330K J 1/16W	
CF302			L72-0999-05	CERAMIC FILTER		R81,82			RK73GB1J103J	CHIP R 10K J 1/16W	
L101			L92-0443-05	CHIP FERRITE		R83			R92-1252-05	CHIP R 0 OHM J 1/16W	
L211			L92-0443-05	CHIP FERRITE		R84			R92-1368-05	CHIP R 0 OHM	
L321			L34-4554-05	COIL		R85			RK73HB1J473J	CHIP R 47K J 1/16W	
L341			L41-3385-08	SMALL FIXED INDUCTOR		R86			RK73GB1J471J	CHIP R 470 J 1/16W	
L342,343			L40-3381-86	SMALL FIXED INDUCTOR (0.33UH)		R87			R92-1252-05	CHIP R 0 OHM J 1/16W	
L351			L41-8285-08	SMALL FIXED INDUCTOR		R88			RK73GB1J473J	CHIP R 47K J 1/16W	
L352			L41-5685-08	SMALL FIXED INDUCTOR		R89			RK73HB1J474J	CHIP R 470K J 1/16W	
L354,355			L34-4612-05	AIR-CORE COIL		R90			RK73GB1J102J	CHIP R 1.0K J 1/16W	
L356			L34-4611-05	AIR-CORE COIL		R91			R92-1368-05	CHIP R 0 OHM	
L357			L34-4610-05	AIR-CORE COIL		R92			RK73GH1J183D	CHIP R 18K D 1/16W	
L402			L41-1005-08	SMALL FIXED INDUCTOR		R93			RK73GH1J134D	CHIP R 130K D 1/16W	
L404			L92-0442-05	CHIP FERRITE		R94			RK73GB1J102J	CHIP R 1.0K J 1/16W	
L421			L92-0443-05	CHIP FERRITE		R95			RK73GB1J472J	CHIP R 4.7K J 1/16W	
L441,442			L40-2785-92	SMALL FIXED INDUCTOR (270NH)		R96			RK73GB1J105J	CHIP R 1.0M J 1/16W	
L443			L41-3378-14	SMALL FIXED INDUCTOR		R97			RK73GB1J104J	CHIP R 100K J 1/16W	
L444,445			L40-2702-86	SMALL FIXED INDUCTOR (27UH)		R98			RK73GB1J473J	CHIP R 47K J 1/16W	
L446,447			L40-2785-92	SMALL FIXED INDUCTOR (270NH)		R99			RK73GB1J102J	CHIP R 1.0K J 1/16W	
L448			L41-4778-14	SMALL FIXED INDUCTOR		R100			RK73HB1J102J	CHIP R 1.0K J 1/16W	
L449,450			L40-2702-86	SMALL FIXED INDUCTOR (27UH)		R101			RK73GB1J473J	CHIP R 47K J 1/16W	
L451-453			L92-0443-05	CHIP FERRITE		R102			RK73HB1J473J	CHIP R 47K J 1/16W	
L454			L41-3375-06	SMALL FIXED INDUCTOR		R103-105			RK73GB1J102J	CHIP R 1.0K J 1/16W	
L455			L41-1085-06	SMALL FIXED INDUCTOR		R108,109			RK73HB1J473J	CHIP R 47K J 1/16W	
L456			L41-1585-06	SMALL FIXED INDUCTOR		R110			RK73GB1J152J	CHIP R 1.5K J 1/16W	
L457			L41-1085-06	SMALL FIXED INDUCTOR		R111			RK73GB1J473J	CHIP R 47K J 1/16W	
L458			L41-5675-06	SMALL FIXED INDUCTOR		R112			RK73HB1J102J	CHIP R 1.0K J 1/16W	
L501,502			L41-6875-08	SMALL FIXED INDUCTOR		R113			RK73HB1J473J	CHIP R 47K J 1/16W	
L503,504			L41-2775-06	SMALL FIXED INDUCTOR		R115			RK73HB1J473J	CHIP R 47K J 1/16W	
L505			L34-4606-05	AIR-CORE COIL		R121			R92-1252-05	CHIP R 0 OHM J 1/16W	
L506		*	L34-4751-05	AIR-CORE COIL		R124			R92-1252-05	CHIP R 0 OHM J 1/16W	
L507		*	L34-4752-05	AIR-CORE COIL		R125			RK73GB1J473J	CHIP R 47K J 1/16W	
L508		*	L34-4757-05	AIR-CORE COIL		R126,127			RK73HB1J102J	CHIP R 1.0K J 1/16W	
L509		*	L34-4753-05	AIR-CORE COIL		R128			RK73GB1J822J	CHIP R 8.2K J 1/16W	
L601		*	L34-4756-05	AIR-CORE COIL		R129			RK73GB1J123J	CHIP R 12K J 1/16W	
L602-604		*	L34-4755-05	AIR-CORE COIL		R130			R92-1252-05	CHIP R 0 OHM J 1/16W	
L605		*	L34-4753-05	AIR-CORE COIL		R131,132			RK73HB1J473J	CHIP R 47K J 1/16W	
X86		*	L77-1970-05	CRYSTAL RESONATOR (12.0MHZ)		R201			RK73GB1J124J	CHIP R 120K J 1/16W	
X241		*	L77-1968-05	CRYSTAL RESONATOR (3.6864MHZ)		R202			RK73GB1J561J	CHIP R 560 J 1/16W	
X401		*	L77-1944-05	TCXO (16.8MHZ)		R203			RK73GB1J913J	CHIP R 91K J 1/16W	
XF351		*	L71-0624-05	MCF (49.95MHZ/5.0K)		R204-206			RK73GB1J102J	CHIP R 1.0K J 1/16W	
CP1-7			RK75HA1J102J	CHIP-COM 1.0K J 1/16W		R207			RK73HB1J183J	CHIP R 18K J 1/16W	
						R208			R92-1368-05	CHIP R 0 OHM	
						R210			RK73HB1J473J	CHIP R 47K J 1/16W	
						R211		*	RK73HH1J303D	CHIP R 30K D 1/16W	

## PARTS LIST

TX-RX UNIT (X57-7080-11)

Ref. No.	Address	New parts	Parts No.	Description	Desti-nation	Ref. No.	Address	New parts	Parts No.	Description	Desti-nation
R212,213		*	RK73GB1J753J	CHIP R 75K J 1/16W		R306			RK73GB1J822J	CHIP R 8.2K J 1/16W	
R214			RK73HB1J334J	CHIP R 330K J 1/16W		R307			RK73GB1J274J	CHIP R 270K J 1/16W	
R215			RK73HB1J222J	CHIP R 2.2K J 1/16W		R309			RK73GB1J332J	CHIP R 3.3K J 1/16W	
R216			R92-1368-05	CHIP R 0 OHM		R310			RK73GB1J334J	CHIP R 330K J 1/16W	
R217			RK73HB1J101J	CHIP R 100 J 1/16W		R311			RK73GB1J102J	CHIP R 1.0K J 1/16W	
R218			RK73HB1J821J	CHIP R 820 J 1/16W		R312			RK73GB1J333J	CHIP R 33K J 1/16W	
R219			RK73GB1J223J	CHIP R 22K J 1/16W		R313			RK73GB1J473J	CHIP R 47K J 1/16W	
R220			RK73GB1J681J	CHIP R 680 J 1/16W		R314			RK73GB1J104J	CHIP R 100K J 1/16W	
R221			RK73GB1J472J	CHIP R 4.7K J 1/16W		R321			RK73GB1J333J	CHIP R 33K J 1/16W	
R222			RK73HB1J223J	CHIP R 22K J 1/16W		R322			RK73GB1J123J	CHIP R 12K J 1/16W	
R223			RK73GB1J102J	CHIP R 1.0K J 1/16W		R323			RK73GB1J222J	CHIP R 2.2K J 1/16W	
R224			RK73GB1J561J	CHIP R 560 J 1/16W		R324			R92-1252-05	CHIP R 0 OHM J 1/16W	
R225-228			RK73GB1J223J	CHIP R 22K J 1/16W		R331-336			RK73GB1J103J	CHIP R 10K J 1/16W	
R229			RK73HB1J104J	CHIP R 100K J 1/16W		R341			RK73GB1J101J	CHIP R 100 J 1/16W	
R230			RK73HB1J393J	CHIP R 39K J 1/16W		R342			RK73GB1J224J	CHIP R 220K J 1/16W	
R231			RK73GB1J683J	CHIP R 68K J 1/16W		R351			RK73GB1J471J	CHIP R 470 J 1/16W	
R232,233			RK73HB1J683J	CHIP R 68K J 1/16W		R352			RK73GB1J101J	CHIP R 100 J 1/16W	
R235,236			RK73HB1J473J	CHIP R 47K J 1/16W		R353			RK73GB1J104J	CHIP R 100K J 1/16W	
R237			RK73HB1J474J	CHIP R 470K J 1/16W		R354			RK73GB1J471J	CHIP R 470 J 1/16W	
R238			RK73HB1J473J	CHIP R 47K J 1/16W		R355			RK73GB1J331J	CHIP R 330 J 1/16W	
R239			RK73HB1J474J	CHIP R 470K J 1/16W		R356			RK73GB1J102J	CHIP R 1.0K J 1/16W	
R240-248			R92-1368-05	CHIP R 0 OHM		R358			RK73GB1J221J	CHIP R 220 J 1/16W	
R249			RK73HB1J102J	CHIP R 1.0K J 1/16W		R359			RK73GB1J224J	CHIP R 220K J 1/16W	
R250			RK73HB1J105J	CHIP R 1.0M J 1/16W		R360			RK73GB1J474J	CHIP R 470K J 1/16W	
R251			RK73HB1J473J	CHIP R 47K J 1/16W		R361			RK73GB1J181J	CHIP R 180 J 1/16W	
R252			RK73HB1J104J	CHIP R 100K J 1/16W		R362			RK73GB1J474J	CHIP R 470K J 1/16W	
R253			RK73GB1J562J	CHIP R 5.6K J 1/16W		R363			RK73GB1J334J	CHIP R 330K J 1/16W	
R254			RK73HB1J474J	CHIP R 470K J 1/16W		R364			R92-1252-05	CHIP R 0 OHM J 1/16W	
R255			RK73HB1J154J	CHIP R 150K J 1/16W		R365			RK73GB1J105J	CHIP R 1.0M J 1/16W	
R256			RK73HB1J473J	CHIP R 47K J 1/16W		R366			RK73GB1J471J	CHIP R 470 J 1/16W	
R257			RK73HB1J184J	CHIP R 180K J 1/16W		R367			RK73GB1J470J	CHIP R 47 J 1/16W	
R258		*	RK73HH1J204D	CHIP R 200K D 1/16W		R368			RK73GB1J105J	CHIP R 1.0M J 1/16W	
R259		*	RK73HH1J394D	CHIP R 390K D 1/16W		R369			R92-1252-05	CHIP R 0 OHM J 1/16W	
R260			RK73GB1J683J	CHIP R 68K J 1/16W		R370			RK73GB1J560J	CHIP R 56 J 1/16W	
R261			R92-1368-05	CHIP R 0 OHM		R371			RK73GB1J393J	CHIP R 39K J 1/16W	
R262			RK73HB1J563J	CHIP R 56K J 1/16W		R372,373			RK73GB1J473J	CHIP R 47K J 1/16W	
R263			RK73HB1J104J	CHIP R 100K J 1/16W		R374			RK73GB1J273J	CHIP R 27K J 1/16W	
R264,265			RK73HB1J473J	CHIP R 47K J 1/16W		R375,376			RK73GB1J105J	CHIP R 1.0M J 1/16W	
R266			RK73HB1J332J	CHIP R 3.3K J 1/16W		R381			RK73GB1J104J	CHIP R 100K J 1/16W	
R267			RK73HH1J683D	CHIP R 68K D 1/16W		R392,393			R92-1252-05	CHIP R 0 OHM J 1/16W	
R268			RK73HH1J154D	CHIP R 150K D 1/1		R401-403			RK73HB1J102J	CHIP R 1.0K J 1/16W	
R269			RK73HH1J683D	CHIP R 68K D 1/16W		R404			RK73GB1J222J	CHIP R 2.2K J 1/16W	
R270			RK73HB1J183J	CHIP R 18K J 1/16W		R405			RK73GB1J103J	CHIP R 10K J 1/16W	
R271			RK73HB1J563J	CHIP R 56K J 1/16W		R406			RK73GB1J152J	CHIP R 1.5K J 1/16W	
R272			RK73HH1J563D	CHIP R 56K D 1/16W		R407			RK73HB1J100J	CHIP R 10 J 1/16W	
R273		*	RK73HH1J184D	CHIP R 180K D 1/16W		R408			RK73HB1J104J	CHIP R 100K J 1/16W	
R274			RK73HH1J332D	CHIP R 3.3K D 1/16W		R409			RK73GB1J101J	CHIP R 100 J 1/16W	
R275			RK73HH1J563D	CHIP R 56K D 1/16W		R421			RK73GB1J822J	CHIP R 8.2K J 1/16W	
R276,277			RK73HB1J223J	CHIP R 22K J 1/16W		R422			RK73GB1J103J	CHIP R 10K J 1/16W	
R278,279			RK73HB1J823J	CHIP R 82K J 1/16W		R423			RK73GB1J562J	CHIP R 5.6K J 1/16W	
R281			RK73GB1J472J	CHIP R 4.7K J 1/16W		R424			RK73HB1J471J	CHIP R 470 J 1/16W	
R282			RK73GB1J473J	CHIP R 47K J 1/16W		R425			RK73GB1J103J	CHIP R 10K J 1/16W	
R283			RK73GB1J683J	CHIP R 68K J 1/16W		R426			RK73GB1J102J	CHIP R 1.0K J 1/16W	
R284			RK73GB1J222J	CHIP R 2.2K J 1/16W		R427			RK73GB1J272J	CHIP R 2.7K J 1/16W	
R285			R92-0670-05	CHIP R 0 OHM		R428			RK73GB1J102J	CHIP R 1.0K J 1/16W	
R286			RK73GB1J391J	CHIP R 390 J 1/16W		R429			RK73GB1J152J	CHIP R 1.5K J 1/16W	
R301			RK73GB1J105J	CHIP R 1.0M J 1/16W		R430			RK73GB1J103J	CHIP R 10K J 1/16W	
R302,303			RK73GB1J472J	CHIP R 4.7K J 1/16W		R431			R92-1252-05	CHIP R 0 OHM J 1/16W	
R304			RK73GB1J223J	CHIP R 22K J 1/16W		R432			RK73GB1J224J	CHIP R 220K J 1/16W	
R305			RK73GB1J182J	CHIP R 1.8K J 1/16W		R433			RK73GB1J471J	CHIP R 470 J 1/16W	

## PARTS LIST

## TX-RX UNIT (X57-7080-11)

Ref. No.	Address	New parts	Parts No.	Description	Destination	Ref. No.	Address	New parts	Parts No.	Description	Destination
R441			RK73GB1J221J	CHIP R 220 J 1/16W		D41			ZSH5MA27	SURGE ABSORBER	
R442			RK73GB1J271J	CHIP R 270 J 1/16W		D42			1812L110PR	VARIATOR	
R443			RK73GB1J221J	CHIP R 220 J 1/16W		D81			02DZ18(X,Y)	ZENER DIODE	
R444			RK73GB1J104J	CHIP R 100K J 1/16W		D82			1SS355	DIODE	
R445			RK73GB1J102J	CHIP R 1.0K J 1/16W		D211			1SS372	DIODE	
R446			RK73GB1J181J	CHIP R 180 J 1/16W		D212			MC2858	DIODE	
R447			RK73GB1J473J	CHIP R 47K J 1/16W		D301			MA742	DIODE	
R448			RK73GB1J393J	CHIP R 39K J 1/16W		D331,332			MC2858	DIODE	
R449			RK73GB1J104J	CHIP R 100K J 1/16W		D351-354			HVC376B	VARIABLE CAPACITANCE DIODE	
R450			RK73GB1J473J	CHIP R 47K J 1/16W		D401			1SS355	DIODE	
R451			RK73GB1J472J	CHIP R 4.7K J 1/16W		D421			HZU5ALL	DIODE	
R452			RK73GB1J124J	CHIP R 120K J 1/16W		D441-444			MA2S304	VARIABLE CAPACITANCE DIODE	
R453			RK73GB1J101J	CHIP R 100 J 1/16W		D445			1SV278	VARIABLE CAPACITANCE DIODE	
R454			R92-1252-05	CHIP R 0 OHM J 1/16W		D446			1SS355	DIODE	
R455			RK73GB1J102J	CHIP R 1.0K J 1/16W		D447,448			HSC277	DIODE	
R456			RK73GB1J223J	CHIP R 22K J 1/16W		D501			1SS355	DIODE	
R457			RK73GB1J473J	CHIP R 47K J 1/16W		D503			02DZ5.1(Y)	ZENER DIODE	
R458,459			RK73GB1J101J	CHIP R 100 J 1/16W		D601,602			MA4PH633	DIODE	
R460			RK73GB1J222J	CHIP R 2.2K J 1/16W		D603			XB15A709	DIODE	
R461			RK73GB1J101J	CHIP R 100 J 1/16W		D605			XB15A709	DIODE	
R462			RK73GB1J102J	CHIP R 1.0K J 1/16W		D606-608			MA742	DIODE	
R501			RK73GB1J102J	CHIP R 1.0K J 1/16W		D651			1SS355	DIODE	
R502			RK73GB1J271J	CHIP R 270 J 1/16W		IC41			KIA7808AF	ANALOGUE IC	
R503			RK73GB1J180J	CHIP R 18 J 1/16W		IC42,43			NJM78L05UA	BI-POLAR IC	
R504			RK73GB1J271J	CHIP R 270 J 1/16W		IC44,45			BD4740G	MOS-IC	
R505			RK73GB1J222J	CHIP R 2.2K J 1/16W		IC81		*	AT24C12810SU18	ROM IC	
R506			RK73GB1J103J	CHIP R 10K J 1/16W		IC101		*	30622MEP-A01GP	MICROPROCESSOR IC	
R507			RK73GB1J100J	CHIP R 10 J 1/16W		IC201			M62364FP	MOS-IC	
R509			RK73GB1J220J	CHIP R 22 J 1/16W		IC211			NJM2100V	MOS-IC	
R510			RK73GB1J183J	CHIP R 18K J 1/16W		IC213			BU4066BCFV	MOS-IC	
R511			RK73FB2A220J	CHIP R 22 J 1/10W		IC214,215			BA10358FV	MOS-IC	
R513			RK73GB1J333J	CHIP R 33K J 1/16W		IC241			AQUA-L	MOS-IC	
R514			RK73FB2A222J	CHIP R 2.2K J 1/10W		IC281	2B		LA4600	BI-POLAR IC	
R515			R92-1217-05	CHIP R 0 OHM		IC321			TK14489V	BI-POLAR IC	
R517			R92-0670-05	CHIP R 0 OHM		IC401			MB15A02	MOS-IC	
R519			RK73EB2B330J	CHIP R 33 J 1/8W		IC402			UPB1509GV	BI-POLAR IC	
R520			RK73GB1J333J	CHIP R 33K J 1/16W		IC651			TA75W01FU	MOS-IC	
R521			RK73GB1J183J	CHIP R 18K J 1/16W		Q41			2SJ645	FET	
R522			RK73EB2B331J	CHIP R 330 J 1/8W		Q42			KRC102S	DIGITAL TRANSISTOR	
R523			RK73GB1J101J	CHIP R 100 J 1/16W		Q43			12A02CH	TRANSISTOR	
R524			RK73GB1J393J	CHIP R 39K J 1/16W		Q44			KRC102S	DIGITAL TRANSISTOR	
R525			RK73GB1J563J	CHIP R 56K J 1/16W		Q45			12A02CH	TRANSISTOR	
R526			R92-1215-05	CHIP R 470 J 1/2W		Q46			KRC102S	DIGITAL TRANSISTOR	
R527			R92-1261-05	CHIP R 150 J 1/2W		Q81			RT1N441U	TRANSISTOR	
R601-603			RK73GB1J223J	CHIP R 22K J 1/16W		Q82,83			2SK1830	FET	
R651			RK73GB1J474J	CHIP R 470K J 1/16W		Q84			KRC414RTK	DIGITAL TRANSISTOR	
R652			RK73GB1J471J	CHIP R 470 J 1/16W		Q201		*	2SC3928A	TRANSISTOR	
R653			R92-1252-05	CHIP R 0 OHM J 1/16W		Q211			2SC4919	TRANSISTOR	
R654			RK73GB1J121J	CHIP R 120 J 1/16W		Q212,213			2SK1830	FET	
R655			RK73GB1J153J	CHIP R 15K J 1/16W		Q241			RT1P141U	TRANSISTOR	
R657,658			R92-1252-05	CHIP R 0 OHM J 1/16W		Q242,243			2SC4649(N,P)	TRANSISTOR	
R659,660			RK73GB1J471J	CHIP R 470 J 1/16W		Q281			DTC363EU	DIGITAL TRANSISTOR	
R661			RK73GB1J473J	CHIP R 47K J 1/16W		Q282			KRC102S	DIGITAL TRANSISTOR	
R662			R92-1252-05	CHIP R 0 OHM J 1/16W		Q301		*	2SC3928A	TRANSISTOR	
R664			R92-1252-05	CHIP R 0 OHM J 1/16W		Q341		*	2SC3928A	TRANSISTOR	
R800			R92-1061-05	JUMPER REST 0 OHM		Q351			2SC5488	TRANSISTOR	
R801			RK73HB1J104J	CHIP R 100K J 1/16W		Q352,353			3SK318	FET	
VR1			R12-6427-05	TRIMMING POT. (47K)		Q421			2SA1832(GR)	TRANSISTOR	
D1-11			DA221	DIODE		Q422			2SC4738(GR)	TRANSISTOR	
						Q431			2SC4649(N,P)	TRANSISTOR	

## PARTS LIST

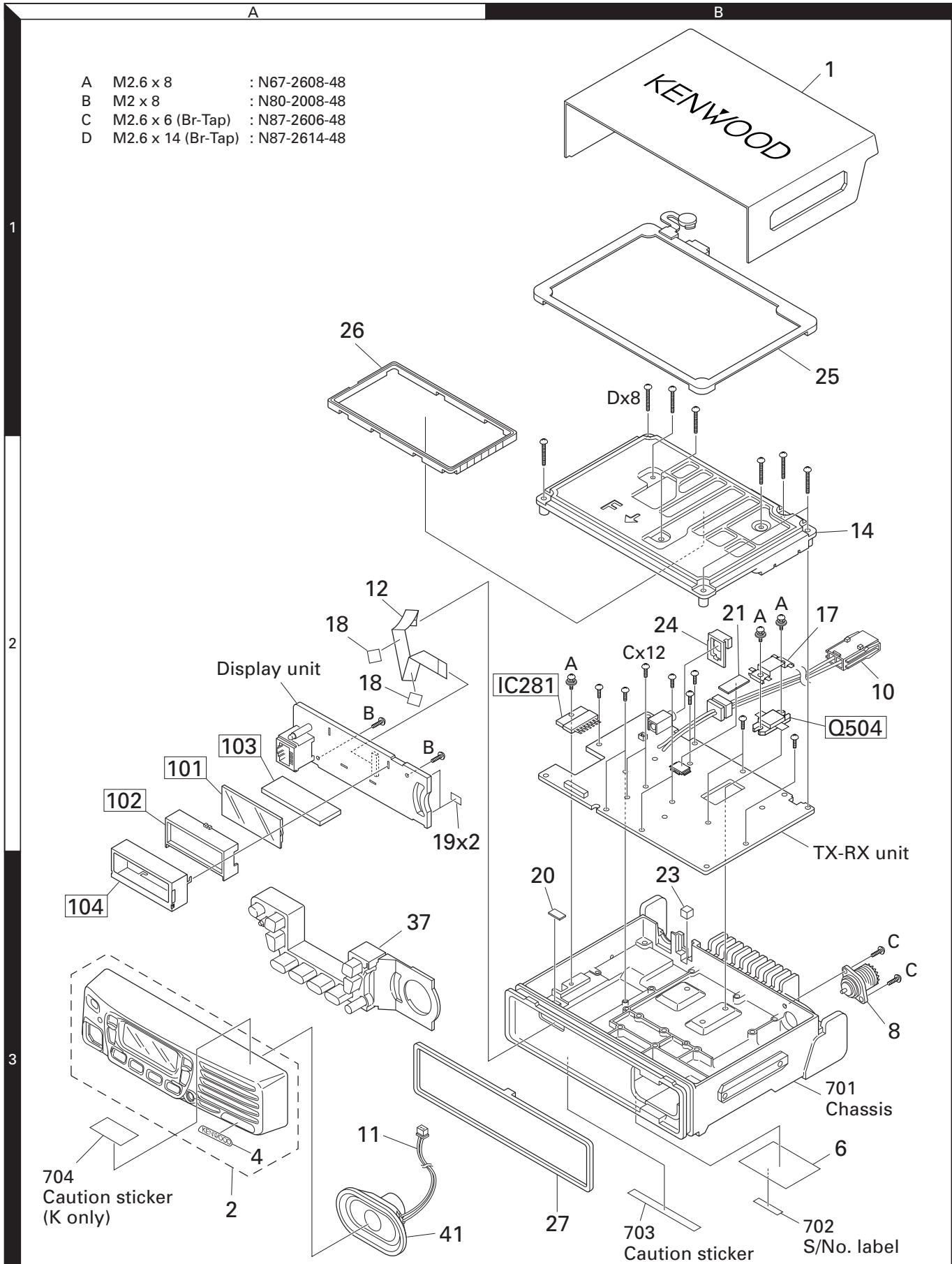
TX-RX UNIT (X57-7080-11)

Ref. No.	Address	New parts	Parts No.	Description	Destination	Ref. No.	Address	New parts	Parts No.	Description	Destination
Q441			2SK508NV(K52)	FET							
Q442			2SJ347	FET							
Q443			KRX102U	TRANSISTOR							
Q444			2SK508NV(K52)	FET							
Q445		*	2SC3928A	TRANSISTOR							
Q446		*	2SC5636	TRANSISTOR							
Q447			2SC4649(N,P)	TRANSISTOR							
Q501			2SC3357	TRANSISTOR							
Q502			RD00HVS1	PREDRIVE FET							
Q503			PD55003TR	DRIVE FET							
Q504	2B		RD70HVF1-01	FINAL FET							
TH301			B57331V2104J	THERMISTOR							
TH672,673			B57331V2104J	THERMISTOR							

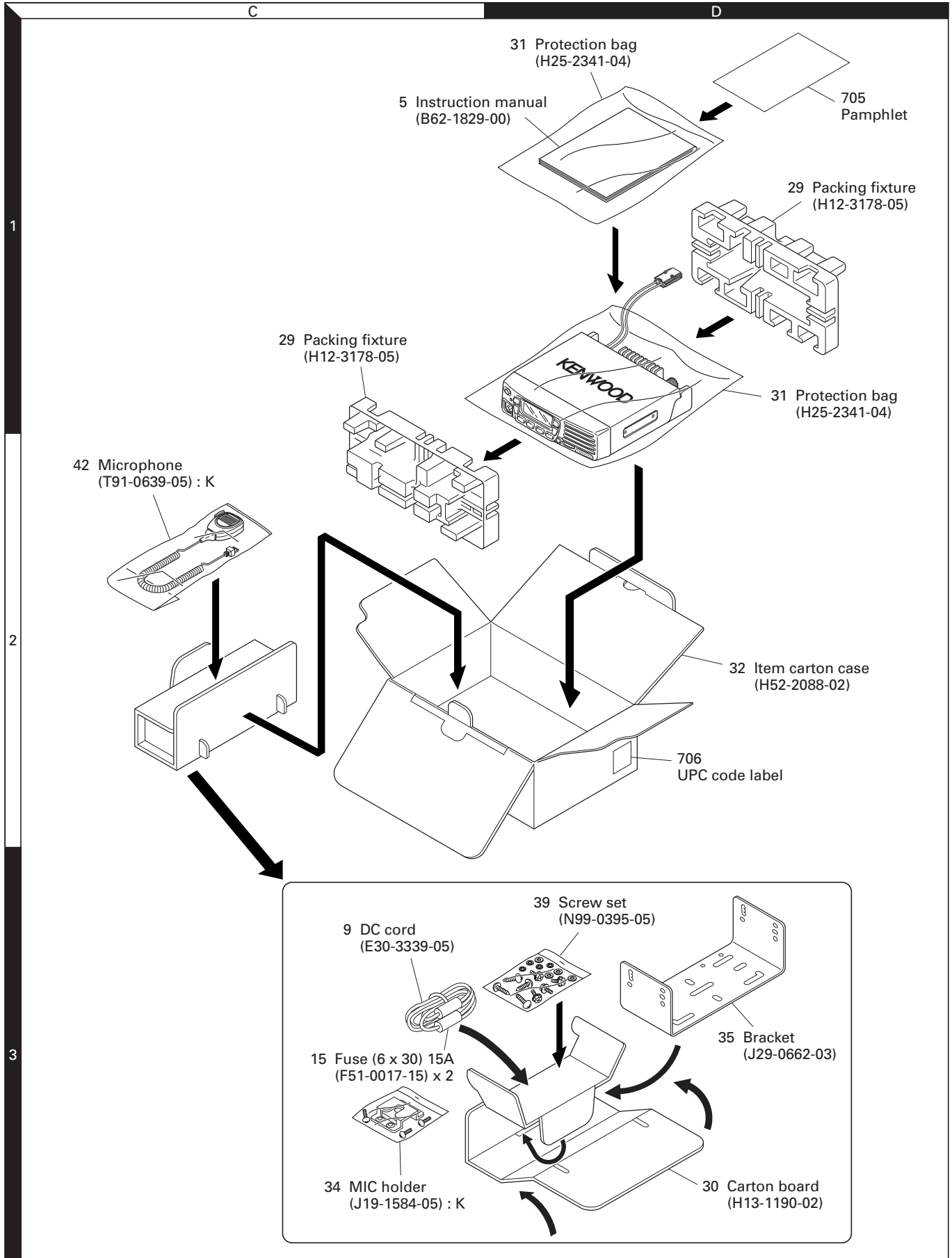
# TK-7160H

## EXPLODED VIEW

- |   |                    |               |
|---|--------------------|---------------|
| A | M2.6 x 8           | : N67-2608-48 |
| B | M2 x 8             | : N80-2008-48 |
| C | M2.6 x 6 (Br-Tap)  | : N87-2606-48 |
| D | M2.6 x 14 (Br-Tap) | : N87-2614-48 |



## PACKING



Parts with the exploded numbers larger than 700 are not supplied.