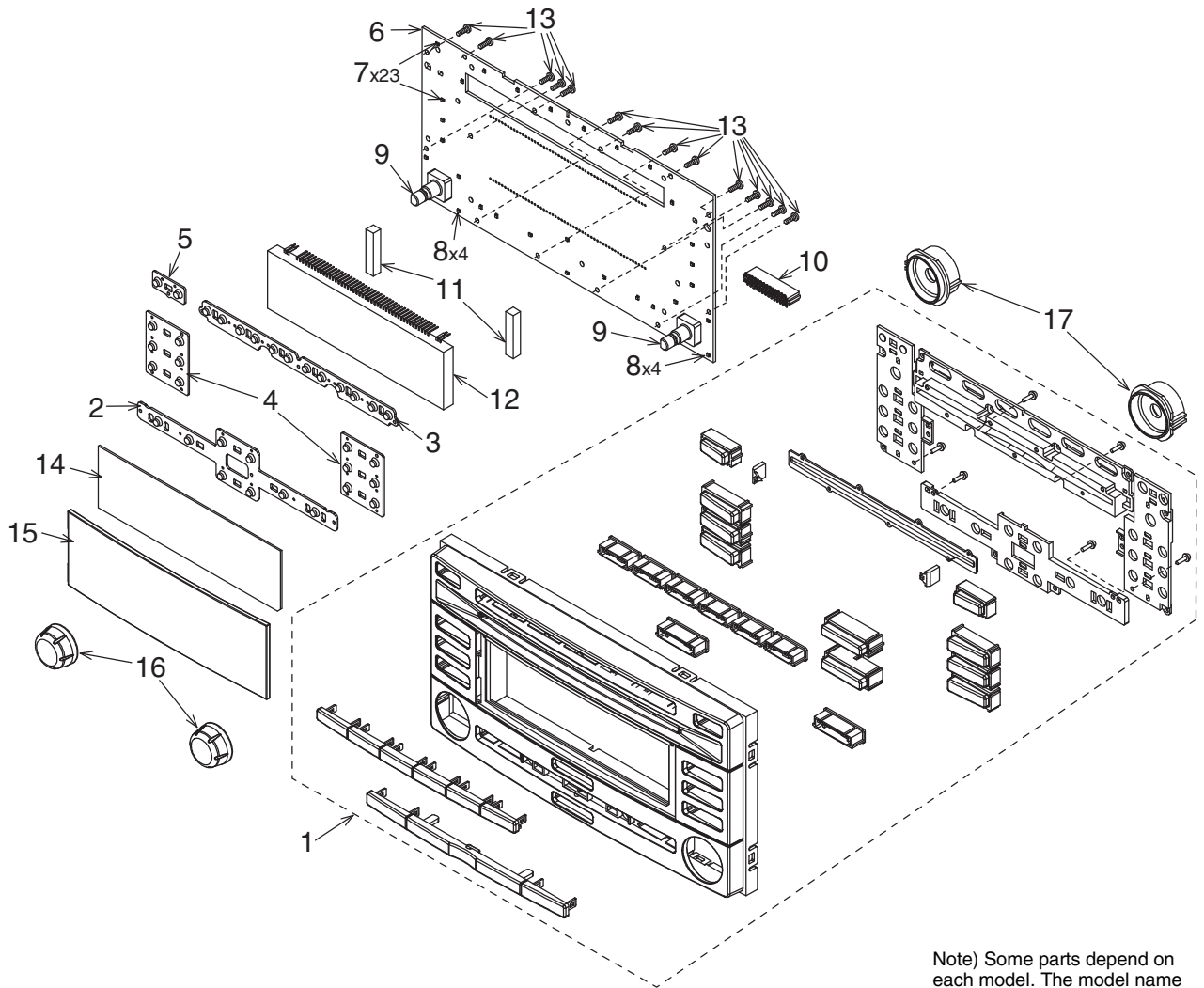


EXPLODED VIEW / PARTS LIST

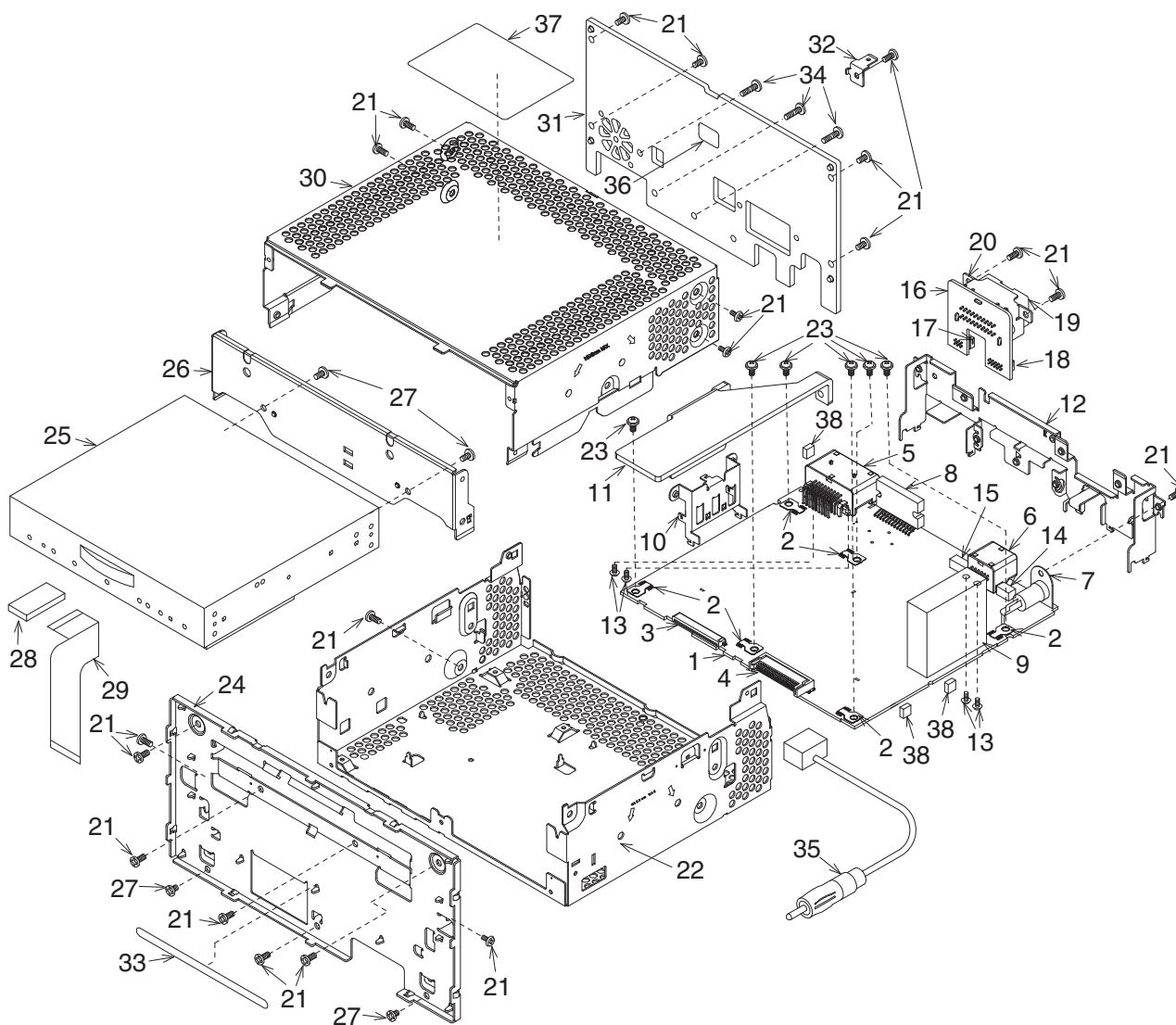
Escutcheon section



Note) Some parts depend on each model. The model name is specified in the description.

NO.	PART NO.	DESCRIPTION	Q'TY	NO.	PART NO.	DESCRIPTION	Q'TY
1	940-8185-10	ES-ASSY	1	10	074-3014-78	OUTLET SOCKET(28P)	1
2	345-6070-00	RUBBER SWITCH A	1	11	345-5995-20	SPACER	2
3	345-6071-00	RUBBER SWITCH B	1	12	379-4062-24	INDICATOR(VFD)	1
4	345-6072-00	RUBBER SWITCH C	2	13	716-0778-52	SCREW(M2x8)	14
5	345-6073-00	RUBBER SWITCH D	1	14	335-8079-00	COLOR-FILTER	1
6	-----	Switch PWB	1	15	373-1146-10	DIAL-CVR(PF-2945A-A)	1
7	001-7094-91	DIODE	23		373-1146-15	DIAL-CVR(PF-2982B-A)	1
8	001-7094-92	DIODE	8	16	380-5700-10	KNOB	2
9	016-0018-21	VR W/SHAFT	2	17	335-8078-00	ILLUMI RING	2

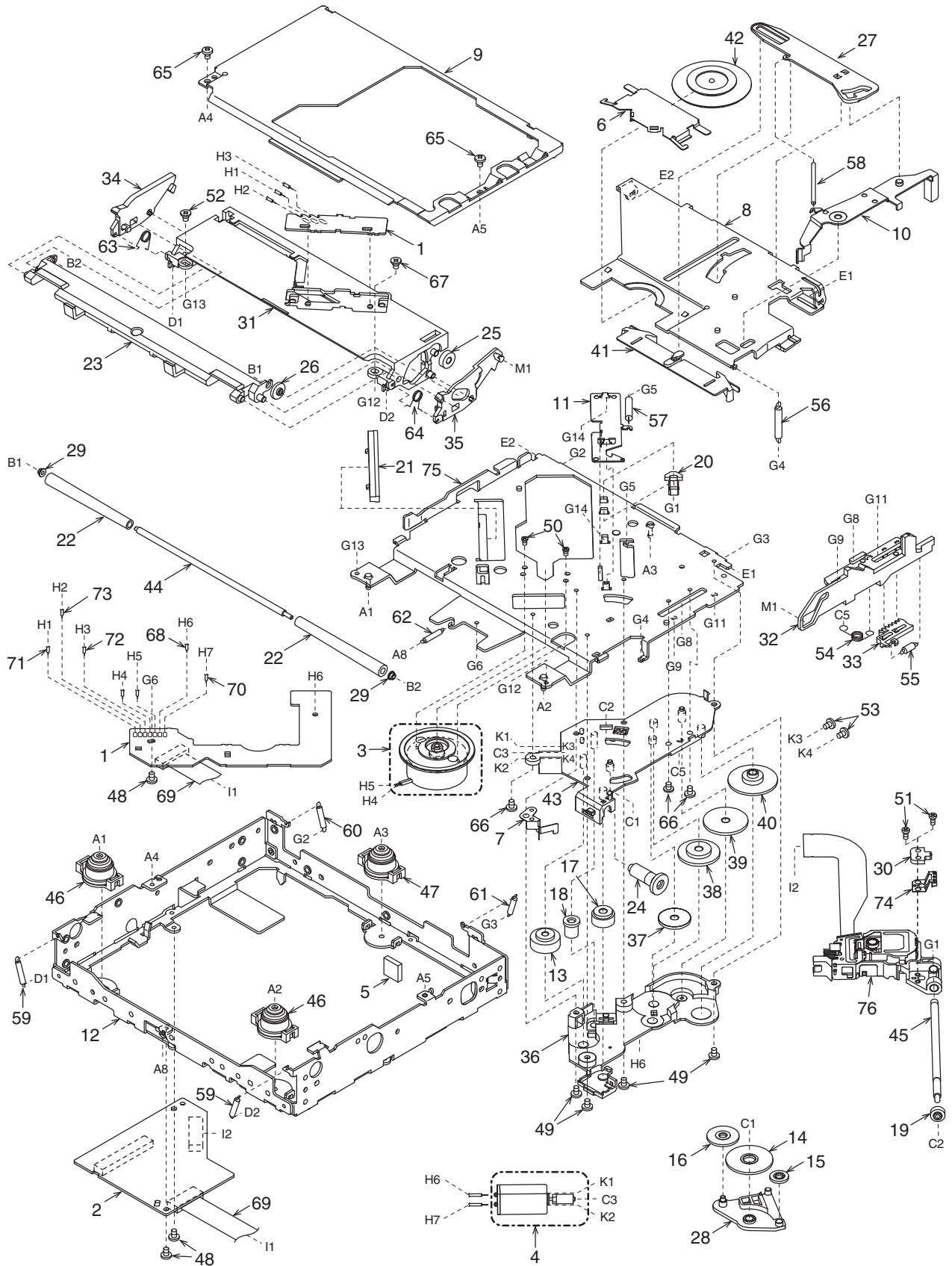
Main section



Note) Several different parts of the same reference number are alternative parts.
 One of those parts is used in the set.
 Some parts depend on each model. The model name is specified in the description.

NO.	PART NO.	DESCRIPTION	Q'TY	NO.	PART NO.	DESCRIPTION	Q'TY
1	-----	Main PWB	1	22	311-1944-00	LOWER CASE	1
2	073-0762-90	TERMINAL	6	23	716-0878-50	SCREW(M2.6x5)	6
3	074-1237-79	OUTLET SOCKET(29P)	1	24	309-0845-01	ES PLATE(1CD)	1
4	076-3011-78	PLUG(8P)	1	25	929-5000-80	DIGITAL-MECH	1
5	074-4009-20	OUTLET SOCKET(20P)	1	26	331-4123-00	CD BRKT	1
6	074-1302-08	OUTLET SOCKET(8P)	1	27	714-2603-89	MACHINE SCREW(M2.6x3)	4
7	092-0702-00	ANT-RECEPT	1	28	345-5895-00	CUSHION RUBBER	1
8	051-2040-00	IC(TA8276H)	1	29	816-4025-50	FLAT WIRE	1
9	880-2091E	TUNER	1	30	310-1826-50	UPPER CASE	1
10	331-4414-00	TR HOLDER	1	31	313-2018-00	HEAT SINK	1
11	313-2019-00	SUB HEAT SINK	1	32	331-3579-00	EARTH PLATE	1
12	307-0727-00	REAR PLATE	1	33	347-8295-01	PROTECTOR	1
13	778-3006-00	TAP-SCREW(M3x6)	4	34	714-2610-89	MACHINE SCREW(M2.6x10)	3
14	076-0368-10	PLUG(10P)	1	35	093-2137-01	ANT-JUMPER	1
15	076-0368-06	PLUG(6P)	1	36	290-8338-11	LABEL(PF-2945A-A)	1
16	-----	Sub PWB	1		290-8338-21	LABEL(PF-2982B-A)	1
17	074-0898-06	OUTLET SOCKET(6P)	1	37	276-0217-01	SETPLATE(PF-2945A-A)	1
18	074-0898-10	OUTLET SOCKET(10P)	1		276-0217-11	SETPLATE(PF-2982B-A)	1
19	074-4027-20	OUTLET SOCKET(20P)	1	38	345-5805-24	GASKET	3
20	331-4413-00	PWB HOLDER	1		345-5805-04	GASKET	3
21	714-2606-8B	MACHINE SCREW(M2.6x6)	20				

CD mechanism section: 929-5000-80



NO.	PART NO.	DESCRIPTION	Q'TY	NO.	PART NO.	DESCRIPTION	Q'TY
1	-----	SENSOR PWBPWB	1	39	621-1750-20	POWER GEAR C	1
2	-----	CD PWB	1	40	621-1751-20	POWER GEAR D	1
3	SMA-182-100	SPINDLE MOTOR-ASSY	1	41	621-1752-20	DISC STOPPER	1
4	SMA-183-100	SLED MOTOR-ASSY	1	42	621-1753-20	CLAMPER RING	1
5	345-5476-20	CUSHION RUBBER	1	43	621-1754-20	GEAR BASE	1
6	620-1023-23	CLAMPER PLATE	1	44	622-1571-21	ROLLER SHAFT	1
7	620-1026-21	SPRING PLATE	1	45	624-0020-00	LEAD SCREW	1
8	620-1596-23	CLAMPER LINK	1	46	629-0086-20	DAMPER F	2
9	620-1598-22	UPPER CHASSIS	1	47	629-0087-20	DAMPER R	1
10	620-1752-20	SENSOR ARM	1	48	716-1507-01	SCREW(M2x3)	3
11	620-1753-20	ID-LOCK PLATE	1	49	716-1670-01	SCREW(M2x4)	4
12	620-1754-20	LOWER CHASSIS	1	50	716-1733-01	SCREW(M1.7x2.3)	2
13	621-0608-21	SECOND GEAR	1	51	716-3469-01	SCREW(1.7x4)	2
14	621-0609-20	BASE GEAR	1	52	716-3473-01	SCREW(M2x3)	1
15	621-0610-20	IDLE GEAR A	1	53	716-3551-00	SCREW(M1.4x2.5)	2
16	621-0611-20	IDLE GEAR B	1	54	750-7865-20	SHIFT SPRING	1
17	621-0612-21	ROLLER GEAR A	1	55	750-7866-20	RACK SPRING	1
18	621-0620-20	THREAD GEAR A	1	56	750-7867-20	CLAMPER SPRING	1
19	621-0621-20	THREAD GEAR B	1	57	750-7868-20	ID-LOCK SPRING	1
20	621-0623-23	LS-HOLDER	1	58	750-7869-20	SENSOR SPRING	1
21	621-0624-22	GUIDE RAIL	1	59	750-7870-20	DR-SPRING F	2
22	621-0711-21	LOADING ROLLER	2	60	750-7871-20	DR-SPRING RA	1
23	621-0718-21	ROLLER GUIDE	1	61	750-7872-20	DR-SPRING RB	1
24	621-0719-20	ROLLER GEAR B	1	62	750-7873-20	DR-SPRING C	1
25	621-0720-20	ROLLER GEAR C	1	63	750-6797-20	ROLLER SPRING L	1
26	621-0721-20	ROLLER GEAR D	1	64	750-6798-20	ROLLER SPRING R	1
27	621-0728-20	STOPPER LINK	1	65	714-2003-8B	SCREW(M2x3)	2
28	621-1719-20	IDLE CASE	1	66	780-2025-00	SCREW(M2x2.5)	3
29	621-1726-20	ROLLER SLEEVE	2	67	781-1730-00	SCREW(M1.7x3)	1
30	621-1729-20	SH-BASE	1	68	803-4906-60	VINYL-COAT-WIRE(ORG)	1
31	621-1742-20	UPPER GUIDE	1	69	816-2542-01	FLAT WIRE	1
32	621-1743-20	SHIFT LEVER	1	70	816-2590-00	VINYL-COAT-WIRE(GRN)	1
33	621-1744-20	RACK	1	71	816-2591-00	VINYL-COAT-WIRE(YEL)	1
34	621-1745-20	LOCK ARM L	1	72	816-2592-00	VINYL-COAT-WIRE(BLUE)	1
35	621-1746-20	LOCK ARM R	1	73	816-2593-00	VINYL-COAT-WIRE(PUR)	1
36	621-1747-20	GEAR COVER	1	74	966-1722-20	SH-RACK-ASSY	1
37	621-1748-20	POWER GEAR A	1	75	966-1743-21	DRIVE-PLT-ASSY	1
38	621-1749-20	POWER GEAR B	1	76	969-0071-30	PICKUP-ASSY	1

ELECTRICAL PARTS LIST

Main PWB(B1) section

Note)Several different parts of the same reference number are alternative parts.
One of those parts is used in the set.

REF No.	PART No.	DESCRIPTION	REF No.	PART No.	DESCRIPTION	REF No.	PART No.	DESCRIPTION
ANT101	092-0702-00	ANT-RECEPT	C207	166-1007-50	10pF CH	C231	168-1042-78	16V 0.1uF
BL101	880-2091E	TUNER	C208	166-1007-50	10pF CH	C233	168-1042-38	50V 0.1uF
C101	166-8201-50	82pF CH	C209	168-1042-78	16V 0.1uF	C234	168-1042-78	16V 0.1uF
C102	166-2201-50	22pF CH	C210	168-1042-78	16V 0.1uF	C238	189-4763-48	25V47pF
C104	168-1042-78	16V 0.1uF	C211	166-1007-50	10pF CH	C301	178-2255-79	2.2uF
C105	163-1073-35	16V 100uF	C212	166-1007-50	10pF CH	C302	166-2201-50	22pF CH
C106	168-1022-55	1000pF K	C213	166-1007-50	10pF CH	C303	166-2201-50	22pF CH
C108	168-1022-55	1000pF K	C214	166-1007-50	10pF CH	C304	178-2255-79	2.2uF
C109	168-1022-55	1000pF K	C215	166-1007-50	10pF CH	C305	178-2255-79	2.2uF
C110	168-1042-78	16V 0.1uF	C216	163-4763-15	6.3V 47uF	C306	166-2201-50	22pF CH
C111	163-1073-35	16V 100uF	C217	168-1042-78	16V 0.1uF	C307	166-2201-50	22pF CH
C117	168-1042-78	16V 0.1uF	C218	168-1042-78	16V 0.1uF	C308	178-2255-79	2.2uF
C118	178-3342-78	0.33uF	C219	163-4763-15	6.3V 47uF	C309	178-2255-79	2.2uF
C201	163-4763-15	6.3V 47uF	C220	168-1042-78	16V 0.1uF	C310	166-2201-50	22pF CH
C202	168-1032-55	0.01uF K	C221	168-1042-78	16V 0.1uF	C311	166-2201-50	22pF CH
C203	168-1042-78	16V 0.1uF	C222	168-1042-78	16V 0.1uF	C312	178-2255-79	2.2uF
C204	168-1042-78	16V 0.1uF	C223	189-1073-29	10V 100uF	C313	178-2255-79	2.2uF
C205	166-1007-50	10pF CH	C225	178-3342-78	0.33uF	C314	166-2201-50	22pF CH
C206	166-1007-50	10pF CH	C230	189-2273-29	10V 220uF	C315	166-2201-50	22pF CH

REF No.	PART No.	DESCRIPTION	REF No.	PART No.	DESCRIPTION	REF No.	PART No.	DESCRIPTION
C316	178-2255-79	2.2uF	C509	166-2711-50	270pF	C823	188-1063-38	16V 10uF
C317	178-1052-78	1uF	C510	166-2711-50	270pF	C824	168-1042-38	50V 0.1uF
C318	166-2201-50	22pF CH	C511	166-2201-50	22pF CH	C825	189-1073-59	35V 100uF
C319	166-2201-50	22pF CH	C512	166-2201-50	22pF CH	C826	188-1063-68	50V 10uF
C320	178-1052-78	1uF	C513	166-2201-50	22pF CH	C827	189-4773-62	50V 470uF
C321	119-0000-05	1/10W 0 ohm JW	C514	166-2201-50	22pF CH	C828	189-4773-39	16V 470uF
C322	168-1042-78	16V 0.1uF	C515	166-5611-50	560pF CH	C829	168-1042-38	50V 0.1uF
C323	168-1042-78	16V 0.1uF	C516	166-5611-50	560pF CH	C830	189-4773-39	16V 470uF
C324	166-1007-50	10pF CH	C517	166-2711-50	270pF	C831	168-1042-38	50V 0.1uF
C325	166-1007-50	10pF CH	C518	166-2711-50	270pF	C832	168-1042-38	50V 0.1uF
C327	168-5622-55	5600pF K	C519	166-1011-50	100pF CH	C833	168-1042-38	50V 0.1uF
C328	168-5622-55	5600pF K	C520	166-1011-50	100pF CH	C834	168-1042-38	50V 0.1uF
C329	168-1042-78	16V 0.1uF	C521	166-2201-50	22pF CH	C835	168-1042-38	50V 0.1uF
C330	168-1042-78	16V 0.1uF	C522	166-2201-50	22pF CH	C836	168-2232-55	0.022uF K
C331	188-4753-68	50V 4.7uF	C523	166-2201-50	22pF CH	C837	168-2232-55	0.022uF K
C334	168-1022-55	1000pF K	C524	166-2201-50	22pF CH	C838	189-2273-39	16V 220uF
C335	168-1022-55	1000pF K	C525	166-1011-50	100pF CH	C839	168-1042-78	16V 0.1uF
C336	168-1042-78	16V 0.1uF	C526	166-1011-50	100pF CH	C840	042-1334-75	16V 47uF
C337	188-4753-68	50V 4.7uF	C527	043-0311-92	10V 0.22uF B	C841	188-1063-38	16V 10uF
C338	168-1042-78	16V 0.1uF	C528	043-0311-92	10V 0.22uF B	C842	189-2273-39	16V 220uF
C339	188-4753-68	50V 4.7uF	C529	043-0311-92	10V 0.22uF B	C843	189-4763-48	25V 47uF
C340	168-1042-78	16V 0.1uF	C530	043-0311-92	10V 0.22uF B	C845	168-1042-78	16V 0.1uF
C341	168-1042-78	16V 0.1uF	C531	168-1032-55	0.01uF K	C846	168-1042-78	16V 0.1uF
C342	168-1042-78	16V 0.1uF	C532	188-1053-68	50V 1uF	C847	166-1007-50	10pF CH
C344	168-1042-78	16V 0.1uF	C533	163-1063-35	16V 10uF	C848	166-1007-50	10pF CH
C345	178-1052-78	1uF	C534	188-1053-68	50V 1uF	C849	168-1022-55	1000pF K
C346	168-1042-78	16V 0.1uF	C543	166-2201-50	22pF CH	C850	168-1022-55	1000pF K
C347	168-1042-78	16V 0.1uF	C558	168-1042-78	16V 0.1uF	CCT201	050-0140-54	1/32W 1k ohm x4J
C348	189-2273-19	6.3V 220uF	C559	189-1073-39	16V 100uF	CCT301	050-0140-53	1/32W 0 ohm x4J
C350	188-2263-38	16V 22uF	C560	189-1073-29	10V 100uF	CCT302	050-0140-53	1/32W 0 ohm x4J
C353	168-1042-78	16V 0.1uF	C561	163-1073-35	16V 100uF	CCT601	050-0140-54	1/32W 1k ohm x4J
C354	042-0423-94	10V 4.7uF	C562	168-1042-78	16V 0.1uF	CCT602	050-0140-54	1/32W 1k ohm x4J
C355	168-1042-78	16V 0.1uF	C564	188-1053-68	50V 1uF	CCT603	050-0140-54	1/32W 1k ohm x4J
C356	163-4763-15	6.3V 47uF	C601	168-1032-55	0.01uF K	CCT604	050-0140-54	1/32W 1k ohm x4J
C357	168-1042-78	16V 0.1uF	C602	168-1042-78	16V 0.1uF	D106	001-0516-90	MA111
C358	168-1042-78	16V 0.1uF	C603	189-1073-39	16V 100uF	D106	001-0580-90	1SS352
C359	168-1042-78	16V 0.1uF	C604	168-1032-55	0.01uF K	D501	001-0516-90	MA111
C360	168-1042-78	16V 0.1uF	C605	168-1032-55	0.01uF K	D501	001-0580-90	1SS352
C363	168-1022-55	1000pF K	C606	166-8097-50	8pF C CH	D601	001-0516-90	MA111
C364	168-1022-55	1000pF K	C607	166-8097-50	8pF C CH	D601	001-0580-90	1SS352
C366	168-1022-55	1000pF K	C608	042-0559-00	5.5V0.1F	D602	001-0466-90	S5688B
C367	168-1042-78	16V 0.1uF	C609	189-1073-39	16V 100uF	D603	001-0504-36	HZS7A1L
C368	168-1022-55	1000pF K	C610	168-1042-78	16V 0.1uF	D604	001-4301-25	HZU4.7B1
C369	168-1022-55	1000pF K	C611	188-1063-38	16V 10uF	D701	001-4301-32	HZU 5.6B2
C370	168-1022-55	1000pF K	C612	168-1042-78	16V 0.1uF	D702	001-4301-32	HZU 5.6B2
C373	166-6811-50	680pF	C613	168-1032-55	0.01uF K	D703	001-0347-69	MA4180M
C374	166-6811-50	680pF	C614	168-1042-78	16V 0.1uF	D704	001-0347-69	MA4180M
C375	166-6811-50	680pF	C615	163-1053-65	50V 1uF	D801	001-4902-92	HZM27FA-TL
C376	166-6811-50	680pF	C616	168-1022-55	1000pF K	D802	001-0466-90	S5688B
C378	042-0643-58	6.3V 330uF	C617	168-1022-55	1000pF K	D803	001-0592-00	RM4Z
C379	168-1042-78	16V 0.1uF	C701	166-1007-50	10pF CH	D804	001-4301-68	HZU18B1
C380	163-2263-35	16V 22uF	C702	166-1007-50	10pF CH	D808	001-4301-68	HZU18B1
C381	189-1073-29	10V 100uF	C703	166-1007-50	10pF CH	D809	001-0466-90	S5688B
C382	168-1042-78	16V 0.1uF	C704	166-1007-50	10pF CH	D810	001-0466-90	S5688B
C383	168-1022-55	1000pF K	C705	166-1007-50	10pF CH	D811	001-0466-90	S5688B
C384	178-3342-78	0.33uF	C706	166-1007-50	10pF CH	D812	001-0504-87	HZS333L
C401	188-4763-18	6.3V 47uF	C800	168-2212-55	220pF K	D813	001-0466-90	S5688B
C402	168-1042-78	16V 0.1uF	C801	168-2212-55	220pF K	D814	001-0466-90	S5688B
C403	168-1022-55	1000pF K	C802	168-1032-55	0.01uF K	D815	001-0466-90	S5688B
C404	168-1042-38	50V 0.1uF	C803	168-2212-55	220pF K	D816	001-4301-37	HZU6.8B1
C501	189-1073-39	16V 100uF	C804	168-2212-55	220pF K	D817	001-0347-69	MA4180M
C502	168-1042-78	16V 0.1uF	C805	172-1041-15	0.1uF	D818	001-0516-90	MA111
C503	178-2732-78	0.027uF	C806	188-1053-68	50V 1uF	D818	001-0580-90	1SS352
C504	178-2732-78	0.027uF	C807	172-1041-15	0.1uF	IC102	051-3368-90	NJM2886DL3-05-TE1
C505	178-2732-78	0.027uF	C808	042-1624-00	16V 4700uF	IC201	051-3395-90	NJU7780U1-15-TE2
C506	178-2732-78	0.027uF	C820	168-1042-78	16V 0.1uF	IC202	051-9318-00	MSM51V17400D-60TS-K
C507	166-5611-50	560pF CH	C821	166-1011-50	100pF CH	IC202	051-9318-10	GLT4160L04P-60TC
C508	166-5611-50	560pF CH	C822	168-1032-55	0.01uF K	IC203	051-3395-90	NJU7780U1-15-TE2

REF No.	PART No.	DESCRIPTION	REF No.	PART No.	DESCRIPTION	REF No.	PART No.	DESCRIPTION
IC204	051-6711-20	TC94A34FG-004	Q209	125-0021-91	DTA114EUA	Q822	103-1684-00	2SD1684
IC205	051-3396-90	NJM2386ADL3-33-TE1	Q209	125-0034-92	RT1P141M-T111-1	Q823	190-1162-00	2SA1162
IC207	051-3366-00	NJM2396F08	Q210	125-2027-91	DTC114EUA	Q824	125-2027-91	DTC114EUA
IC208	051-7513-08	HD74LV541A	Q210	125-2041-92	RT1N141M-T111-1	Q824	125-2041-92	RT1N141M-T111-1
IC301	-----	SAF7730HV/N332	Q301	125-7005-90	PHK04P02T	R101	119-0000-05	1/10W 0 ohm JW
IC302	051-3396-90	NJM2386ADL3-33-TE1	Q302	125-2027-91	DTC114EUA	R104	119-0000-05	1/10W 0 ohm JW
IC401	051-3333-00	NJM2396F05	Q302	125-2041-92	RT1N141M-T111-1	R107	119-0000-05	1/10W 0 ohm JW
IC501	051-3019-90	NJM2060V	Q303	125-2027-91	DTC114EUA	R108	119-2741-15	1/10W 270k ohm
IC502	051-3019-90	NJM2060V	Q303	125-2041-92	RT1N141M-T111-1	R109	119-1031-15	1/10W 10k ohm
IC503	051-2040-00	TA8276H	Q304	125-2027-91	DTC114EUA	R110	119-1031-15	1/10W 10k ohm
IC507	051-3034-90	NJM4558V	Q304	125-2041-92	RT1N141M-T111-1	R111	119-1011-15	1/10W 100 ohm
IC508	051-3397-90	NJM2386ADL3-09-TE1	Q305	125-2027-91	DTC114EUA	R112	119-1011-15	1/10W 100 ohm
IC601	052-3214-80	M30876FJAGP	Q305	125-2041-92	RT1N141M-T111-1	R113	119-1011-15	1/10W 100 ohm
IC602	051-9426-90	S-24CS16A01-T8T1G	Q306	125-2027-91	DTC114EUA	R119	119-4731-15	1/10W 47k ohm
IC603	051-6600-58	HA12187FP	Q306	125-2041-92	RT1N141M-T111-1	R120	116-1021-15	1/4W 1k ohm
IC604	051-0869-58	NJM2103M	Q307	125-2027-91	DTC114EUA	R121	119-1031-15	1/10W 10k ohm
IC801	051-6623-18	TJA1054AT-N1	Q307	125-2041-92	RT1N141M-T111-1	R201	119-1521-15	1/10W 1.5k ohm
IC802	051-0172-08	TC4011BF	Q308	125-2027-91	DTC114EUA	R202	119-2251-15	1/10W 2.2M ohm
J201	074-1237-79	29P	Q308	125-2041-92	RT1N141M-T111-1	R203	119-2211-15	1/10W 220 ohm
J801	074-4009-20	20P	Q309	125-2027-91	DTC114EUA	R204	119-1031-15	1/10W 10k ohm
J802	074-1302-08	8P	Q309	125-2041-92	RT1N141M-T111-1	R205	119-1031-15	1/10W 10k ohm
L101	010-2003-04	30uH(Variable)	Q501	125-2027-91	DTC114EUA	R206	119-5121-15	1/10W 5.1k ohm
L114	010-6009-76	22uH J	Q501	125-2041-92	RT1N141M-T111-1	R207	119-5121-15	1/10W 5.1k ohm
L201	010-3407-66	22uH J	Q502	192-4116-00	2SC4116	R210	119-1031-15	1/10W 10k ohm
L202	010-3104-50	30 ohm/100MHz	Q502	192-4155-51	2SC4155A S,T	R211	119-5121-15	1/10W 5.1k ohm
L301	010-3104-54	600 ohm/100MHz	Q601	190-2071-00	2SA2071 T100	R219	119-1031-15	1/10W 10k ohm
L302	010-3104-54	600 ohm/100MHz	Q602	125-2027-91	DTC114EUA	R220	119-3321-15	1/10W 3.3k ohm
L303	010-3104-54	600 ohm/100MHz	Q602	125-2041-92	RT1N141M-T111-1	R221	119-3331-15	1/10W 33k ohm
L304	010-3104-54	600 ohm/100MHz	Q603	193-2118-50	2SD2118F5 R,S	R222	119-4731-15	1/10W 47k ohm
L305	010-3104-54	600 ohm/100MHz	Q604	192-4116-00	2SC4116	R227	119-1021-15	1/10W 1k ohm
L306	010-3104-54	600 ohm/100MHz	Q604	192-4155-51	2SC4155A S,T	R228	119-3331-15	1/10W 33k ohm
L307	010-3104-54	600 ohm/100MHz	Q605	192-4116-00	2SC4116	R229	119-4731-15	1/10W 47k ohm
L308	010-3104-54	600 ohm/100MHz	Q605	192-4155-51	2SC4155A S,T	R230	119-3331-15	1/10W 33k ohm
L309	010-3104-54	600 ohm/100MHz	Q701	190-1162-00	2SA1162	R231	119-0000-05	1/10W 0 ohm JW
L310	010-3104-54	600 ohm/100MHz	Q702	125-2027-91	DTC114EUA	R232	119-4721-15	1/10W 4.7k ohm
L311	010-3104-54	600 ohm/100MHz	Q702	125-2041-92	RT1N141M-T111-1	R233	119-3331-15	1/10W 33k ohm
L312	010-3104-54	600 ohm/100MHz	Q703	192-4116-00	2SC4116	R234	119-4721-15	1/10W 4.7k ohm
L313	010-3104-54	600 ohm/100MHz	Q703	192-4155-51	2SC4155A S,T	R235	119-4731-15	1/10W 47k ohm
L314	010-3104-54	600 ohm/100MHz	Q704	190-1162-00	2SA1162	R301	032-0140-51	1/10W 15k ohm F
L318	010-3104-54	600 ohm/100MHz	Q705	125-2027-91	DTC114EUA	R302	032-0140-51	1/10W 15k ohm F
L328	010-3104-54	600 ohm/100MHz	Q705	125-2041-92	RT1N141M-T111-1	R303	032-0140-51	1/10W 15k ohm F
L329	010-3104-54	600 ohm/100MHz	Q706	192-4116-00	2SC4116	R304	032-0140-51	1/10W 15k ohm F
L337	010-3104-54	600 ohm/100MHz	Q706	192-4155-51	2SC4155A S,T	R305	032-0140-51	1/10W 15k ohm F
L338	010-3104-54	600 ohm/100MHz	Q709	192-4116-00	2SC4116	R306	032-0140-51	1/10W 15k ohm F
L347	010-3104-54	600 ohm/100MHz	Q709	192-4155-51	2SC4155A S,T	R307	032-0140-51	1/10W 15k ohm F
L350	010-3104-54	600 ohm/100MHz	Q710	190-1162-00	2SA1162	R308	032-0140-51	1/10W 15k ohm F
L501	010-6009-76	22uH J	Q711	125-2027-91	DTC114EUA	R309	119-1531-15	1/10W 15k ohm
L503	010-3407-66	22uH J	Q711	125-2041-92	RT1N141M-T111-1	R310	119-1531-15	1/10W 15k ohm
L504	010-3104-54	600 ohm/100MHz	Q807	190-2071-00	2SA2071 T100	R311	168-1042-78	16V 0.1uF
L505	010-3104-54	600 ohm/100MHz	Q808	192-4116-00	2SC4116	R312	119-1031-15	1/10W 10k ohm
L801	010-3407-66	22uH J	Q808	192-4155-51	2SC4155A S,T	R313	119-1011-15	1/10W 100 ohm
L803	010-3601-50	600 ohm/100MHz	Q809	192-4116-00	2SC4116	R314	119-1021-15	1/10W 1k ohm
L806	010-8026-00	COIL	Q809	192-4155-51	2SC4155A S,T	R315	119-2201-15	1/10W 22 ohm
P601	076-0478-59	PLUG (9P)	Q810	190-1048-00	2SA1048	R316	119-3921-15	1/10W 3.9k ohm
P602	076-3011-78	28P	Q811	192-2873-00	2SC2873	R317	119-3921-15	1/10W 3.9k ohm
P701	076-0368-06	6P	Q811	192-4357-00	2SC4357	R319	119-3921-15	1/10W 3.9k ohm
P702	076-0368-10	10P	Q812	190-2071-00	2SA2071 T100	R320	119-3921-15	1/10W 3.9k ohm
Q101	192-4116-00	2SC4116	Q813	192-4116-00	2SC4116	R321	119-1031-15	1/10W 10k ohm
Q101	192-4155-51	2SC4155A S,T	Q813	192-4155-51	2SC4155A S,T	R322	119-1031-15	1/10W 10k ohm
Q102	191-1197-50	2SB1197K Q,R	Q814	192-5886-00	2SC5886	R325	119-1021-15	1/10W 1k ohm
Q102	190-1365-50	2SA1365 F,G	Q815	190-1428-00	2SA1428	R326	119-1011-15	1/10W 100 ohm
Q103	125-2027-91	DTC114EUA	Q816	192-3668-00	2SC3668	R327	119-1011-15	1/10W 100 ohm
Q103	125-2041-92	RT1N141M-T111-1	Q817	190-1428-00	2SA1428	R330	119-0000-05	1/10W 0 ohm JW
Q201	125-2027-91	DTC114EUA	Q818	192-3668-00	2SC3668	R331	032-0140-89	1/10W 47k ohm F
Q201	125-2041-92	RT1N141M-T111-1	Q819	190-1428-00	2SA1428	R332	032-0140-89	1/10W 47k ohm F
Q206	193-0601-00	2SD601A	Q820	192-3668-00	2SC3668	R333	032-0140-89	1/10W 47k ohm F
Q207	198-3018-00	2SK3018	Q821	103-2012-00	2SD2012	R334	032-0140-89	1/10W 47k ohm F
Q208	198-3018-00	2SK3018	Q821	103-2394-00	2SD2394	R335	119-0000-05	1/10W 0 ohm JW

REF No.	PART No.	DESCRIPTION	REF No.	PART No.	DESCRIPTION	REF No.	PART No.	DESCRIPTION
R336	119-0000-05	1/10W 0 ohm JW	R573	119-1021-15	1/10W 1k ohm	R715	119-4731-15	1/10W 47k ohm
R339	032-0140-50	1/10W 10k ohm F	R574	119-4731-15	1/10W 47k ohm	R716	119-1021-15	1/10W 1k ohm
R340	032-0140-50	1/10W 10k ohm F	R601	119-4721-15	1/10W 4.7k ohm	R719	119-1021-15	1/10W 1k ohm
R341	032-0140-50	1/10W 10k ohm F	R602	119-4721-15	1/10W 4.7k ohm	R720	119-4731-15	1/10W 47k ohm
R342	032-0140-50	1/10W 10k ohm F	R603	119-1011-15	1/10W 100 ohm	R721	119-4731-15	1/10W 47k ohm
R343	119-0000-05	1/10W 0 ohm JW	R604	119-1011-15	1/10W 100 ohm	R722	119-4731-15	1/10W 47k ohm
R344	119-0000-05	1/10W 0 ohm JW	R605	119-4731-15	1/10W 47k ohm	R723	119-1021-15	1/10W 1k ohm
R345	032-0140-50	1/10W 10k ohm F	R606	119-4731-15	1/10W 47k ohm	R724	119-2231-15	1/10W 22k ohm
R346	032-0140-50	1/10W 10k ohm F	R607	119-1041-15	1/10W 100k ohm	R725	119-2231-15	1/10W 22k ohm
R348	119-4731-15	1/10W 47k ohm	R608	119-1041-15	1/10W 100k ohm	R726	116-1211-15	1/4W 120 ohm
R349	119-1031-15	1/10W 10k ohm	R609	119-4721-15	1/10W 4.7k ohm	R727	116-1211-15	1/4W 120 ohm
R352	119-1021-15	1/10W 1k ohm	R610	119-4721-15	1/10W 4.7k ohm	R803	119-1041-15	1/10W 100k ohm
R353	119-1021-15	1/10W 1k ohm	R611	119-4721-15	1/10W 4.7k ohm	R807	119-1041-15	1/10W 100k ohm
R354	119-1021-15	1/10W 1k ohm	R612	119-4721-15	1/10W 4.7k ohm	R808	119-1041-15	1/10W 100k ohm
R355	119-1021-15	1/10W 1k ohm	R614	119-4721-15	1/10W 4.7k ohm	R809	116-1521-15	1/4W 1.5k ohm
R358	119-4731-15	1/10W 47k ohm	R615	119-4721-15	1/10W 4.7k ohm	R810	116-1521-15	1/4W 1.5k ohm
R359	119-4731-15	1/10W 47k ohm	R616	119-4731-15	1/10W 47k ohm	R813	119-0000-05	1/10W 0 ohm JW
R360	119-4731-15	1/10W 47k ohm	R617	119-4731-15	1/10W 47k ohm	R814	111-5621-94	1/4W 5.6k ohm
R361	119-4731-15	1/10W 47k ohm	R618	119-4731-15	1/10W 47k ohm	R815	116-4721-15	1/4W 4.7k ohm
R362	119-4731-15	1/10W 47k ohm	R619	119-4731-15	1/10W 47k ohm	R829	119-1021-15	1/10W 1k ohm
R363	119-4731-15	1/10W 47k ohm	R620	119-4721-15	1/10W 4.7k ohm	R830	117-1031-15	1/8W 10k ohm
R364	119-1001-15	1/10W 10 ohm	R621	119-4721-15	1/10W 4.7k ohm	R831	116-2221-15	1/4W 2.2k ohm
R365	119-4731-15	1/10W 47k ohm	R622	119-1031-15	1/10W 10k ohm	R832	119-3321-15	1/10W 3.3k ohm
R367	119-0000-05	1/10W 0 ohm JW	R623	119-1021-15	1/10W 1k ohm	R833	119-1031-15	1/10W 10k ohm
R401	119-4731-15	1/10W 47k ohm	R624	119-1011-15	1/10W 100 ohm	R834	116-2221-15	1/4W 2.2k ohm
R501	119-1031-15	1/10W 10k ohm	R625	119-4721-15	1/10W 4.7k ohm	R835	119-4731-15	1/10W 47k ohm
R502	119-1031-15	1/10W 10k ohm	R626	119-1011-15	1/10W 100 ohm	R836	119-2231-15	1/10W 22k ohm
R503	119-1031-15	1/10W 10k ohm	R627	119-4721-15	1/10W 4.7k ohm	R837	119-3331-15	1/10W 33k ohm
R504	119-1031-15	1/10W 10k ohm	R628	119-4721-15	1/10W 4.7k ohm	R838	119-3321-15	1/10W 3.3k ohm
R505	119-1031-15	1/10W 10k ohm	R629	032-0140-24	1/10W 82 ohm F	R839	119-1031-15	1/10W 10k ohm
R506	119-1031-15	1/10W 10k ohm	R630	032-0140-11	1/10W 300 ohm F	R840	119-2221-15	1/10W 2.2k ohm
R507	119-0000-05	1/10W 0 ohm JW	R631	119-1031-15	1/10W 10k ohm	R841	116-4721-15	1/4W 4.7k ohm
R508	119-0000-05	1/10W 0 ohm JW	R632	119-1031-15	1/10W 10k ohm	R843	111-1831-94	1/4W 18k ohm
R511	119-4741-15	1/10W 470k ohm	R633	119-1031-15	1/10W 10k ohm	R844	119-1031-15	1/10W 10k ohm
R512	119-4741-15	1/10W 470k ohm	R634	119-1021-15	1/10W 1k ohm	R845	116-2221-15	1/4W 2.2k ohm
R513	119-4741-15	1/10W 470k ohm	R635	119-1031-15	1/10W 10k ohm	R846	119-3321-15	1/10W 3.3k ohm
R514	119-4741-15	1/10W 470k ohm	R636	116-1001-15	1/4W 10 ohm	R847	116-2221-15	1/4W 2.2k ohm
R517	119-0000-05	1/10W 0 ohm JW	R638	119-6821-15	1/10W 6.8k ohm	R848	111-2221-94	1/4W 2.2k ohm
R518	119-0000-05	1/10W 0 ohm JW	R639	119-1011-15	1/10W 100 ohm	R849	119-5631-15	1/10W 56k ohm
R519	119-1031-15	1/10W 10k ohm	R640	119-1011-15	1/10W 100 ohm	R850	111-2721-88	1/2W 2.7k ohm
R520	119-1031-15	1/10W 10k ohm	R641	119-4721-15	1/10W 4.7k ohm	R851	111-1521-94	1/4W 1.5k ohm
R521	119-1531-15	1/10W 15k ohm	R642	119-4721-15	1/10W 4.7k ohm	R852	111-1521-94	1/4W 1.5k ohm
R522	119-1531-15	1/10W 15k ohm	R643	119-4731-15	1/10W 47k ohm	R853	111-1521-94	1/4W 1.5k ohm
R523	119-0000-05	1/10W 0 ohm JW	R644	119-4731-15	1/10W 47k ohm	R854	119-1231-15	1/10W 12k ohm
R524	119-0000-05	1/10W 0 ohm JW	R645	119-6831-15	1/10W 68k ohm	R855	119-1231-15	1/10W 12k ohm
R525	119-0000-05	1/10W 0 ohm JW	R646	119-3341-15	1/10W 330k ohm	R856	119-4731-15	1/10W 47k ohm
R526	119-0000-05	1/10W 0 ohm JW	R647	032-0140-22	1/10W 68k ohm F	R857	119-4731-15	1/10W 47k ohm
R527	119-1031-15	1/10W 10k ohm	R648	032-0140-00	1/10W 56k ohm F	R858	116-1021-15	1/4W 1k ohm
R528	119-1031-15	1/10W 10k ohm	R649	119-4731-15	1/10W 47k ohm	R859	119-4711-15	1/10W 470 ohm
R529	119-1031-15	1/10W 10k ohm	R650	119-5621-15	1/10W 5.6k ohm	R860	116-5621-15	1/4W 5.6k ohm
R530	119-1031-15	1/10W 10k ohm	R651	119-1021-15	1/10W 1k ohm	R861	119-1031-15	1/10W 10k ohm
R531	119-1531-15	1/10W 15k ohm	R652	119-4731-15	1/10W 47k ohm	SUP102	060-0122-91	DSP-141N-S00B
R532	119-1531-15	1/10W 15k ohm	R653	119-3321-15	1/10W 3.3k ohm	TH801	002-0318-21	THERMISTOR
R533	119-1031-15	1/10W 10k ohm	R654	119-1831-15	1/10W 18k ohm	TM101	073-0762-90	TERMINAL
R534	119-1031-15	1/10W 10k ohm	R701	119-2231-15	1/10W 22k ohm	TM201	073-0762-90	TERMINAL
R535	119-1031-15	1/10W 10k ohm	R702	119-2231-15	1/10W 22k ohm	TM401	073-0762-90	TERMINAL
R536	119-1031-15	1/10W 10k ohm	R703	119-1041-15	1/10W 100k ohm	TM601	073-0762-90	TERMINAL
R537	119-5631-15	1/10W 56k ohm	R704	119-1021-15	1/10W 1k ohm	TM801	073-0762-90	TERMINAL
R538	119-1521-15	1/10W 1.5k ohm	R705	119-1021-15	1/10W 1k ohm	TM802	073-0762-90	TERMINAL
R539	119-1031-15	1/10W 10k ohm	R706	119-4731-15	1/10W 47k ohm	Z101	073-0778-90	TERMINAL
R540	119-2221-15	1/10W 2.2k ohm	R707	119-4731-15	1/10W 47k ohm	Z201	073-0778-90	TERMINAL
R541	119-2221-15	1/10W 2.2k ohm	R708	119-4731-15	1/10W 47k ohm	Z301	073-0778-90	TERMINAL
R542	119-2221-15	1/10W 2.2k ohm	R709	119-1021-15	1/10W 1k ohm	X201	061-3534-90	16.92MHz
R543	119-2221-15	1/10W 2.2k ohm	R710	119-2231-15	1/10W 22k ohm	X301	061-3537-90	41.6MHz
R544	119-4731-15	1/10W 47k ohm	R711	119-2231-15	1/10W 22k ohm	X601	061-3541-90	CRYSTAL 10MHz
R545	119-4731-15	1/10W 47k ohm	R712	119-1021-15	1/10W 1k ohm	PWB	039-3180-00	PWB(WITHOUT COMPONENT)
R546	119-1031-15	1/10W 10k ohm	R713	119-1041-15	1/10W 100k ohm			
R572	119-8211-15	1/10W 820 ohm	R714	119-4731-15	1/10W 47k ohm			

Switch PWB(B2) section

REF No.	PART No.	DESCRIPTION	REF No.	PART No.	DESCRIPTION	REF No.	PART No.	DESCRIPTION
C1	168-1022-55	1000pF K	D29	001-7094-91	VFR1112H-TR	R15	119-1231-15	1/10W 12k ohm
C2	168-1042-78	16V 0.1uF	D30	001-7094-91	VFR1112H-TR	R16	119-1031-15	1/10W 10k ohm
C3	043-0328-90	0.1uF	D31	001-7094-91	VFR1112H-TR	R17	119-1231-15	1/10W 12k ohm
C4	043-0328-90	0.1uF	D32	001-7094-91	VFR1112H-TR	R18	119-1031-15	1/10W 10k ohm
C5	178-1052-78	1uF	D33	001-7094-91	VFR1112H-TR	R19	119-1231-15	1/10W 12k ohm
D5	001-7094-91	VFR1112H-TR	D34	001-7094-91	VFR1112H-TR	R20	119-4721-15	1/10W 4.7k ohm
D7	001-7094-91	VFR1112H-TR	D35	001-2403-90	M1F60	R21	119-4721-15	1/10W 4.7k ohm
D8	001-7094-91	VFR1112H-TR	D36	001-2403-90	M1F60	R22	119-3921-15	1/10W 3.9k ohm
D9	001-7094-92	VFR1112H-6A83A2	D37	001-2403-90	M1F60	R23	119-3921-15	1/10W 3.9k ohm
D10	001-7094-92	VFR1112H-6A83A2	D38	001-7094-91	VFR1112H-TR	R24	119-3921-15	1/10W 3.9k ohm
D11	001-7094-92	VFR1112H-6A83A2	D39	001-7094-91	VFR1112H-TR	R25	119-3921-15	1/10W 3.9k ohm
D12	001-7094-92	VFR1112H-6A83A2	FL1	379-4062-24	VFD(INDICATOR)	R26	119-3921-15	1/10W 3.9k ohm
D13	001-7094-92	VFR1112H-6A83A2	IC1	051-6642-08	LC75700T	R27	119-4721-15	1/10W 4.7k ohm
D14	001-7094-92	VFR1112H-6A83A2	IC2	051-6059-10	ML9203-06GA	R28	119-3921-15	1/10W 3.9k ohm
D15	001-7094-92	VFR1112H-6A83A2	J1	074-3014-78	28P	R29	119-4721-15	1/10W 4.7k ohm
D16	001-7094-92	VFR1112H-6A83A2	L1	010-3407-66	22uH J	R30	119-2721-15	1/10W 2.7k ohm
D17	001-7094-91	VFR1112H-TR	L2	010-3407-66	22uH J	R31	119-3321-15	1/10W 3.3k ohm
D18	001-7094-91	VFR1112H-TR	R1	119-1031-15	1/10W 10k ohm	R32	119-2721-15	1/10W 2.7k ohm
D19	001-7094-91	VFR1112H-TR	R2	119-1021-15	1/10W 1k ohm	R33	119-3321-15	1/10W 3.3k ohm
D20	001-7094-91	VFR1112H-TR	R3	119-3931-15	1/10W 39k ohm	R35	119-3921-15	1/10W 3.9k ohm
D21	001-7094-91	VFR1112H-TR	R4	119-0000-05	1/10W 0 ohm JW	R36	119-4721-15	1/10W 4.7k ohm
D22	001-7094-91	VFR1112H-TR	R6	119-6821-15	1/10W 6.8k ohm	R37	119-1021-15	1/10W 1k ohm
D23	001-7094-91	VFR1112H-TR	R7	119-8221-15	1/10W 8.2k ohm	TM1	073-0778-90	TERMINAL
D24	001-7094-91	VFR1112H-TR	R10	119-6821-15	1/10W 6.8k ohm	VR1	016-0018-21	EC11E15644
D25	001-7094-91	VFR1112H-TR	R11	119-6821-15	1/10W 6.8k ohm	VR2	016-0018-21	EC11E15644
D26	001-7094-91	VFR1112H-TR	R12	119-1031-15	1/10W 10k ohm	X1	060-1550-90	4.023MHz
D27	001-7094-91	VFR1112H-TR	R13	119-1231-15	1/10W 12k ohm	PWB	039-3063-00	PWB(WITHOUT COMPONENT)
D28	001-7094-91	VFR1112H-TR	R14	119-1031-15	1/10W 10k ohm			

Sub PWB(B3) section

REF No.	PART No.	DESCRIPTION	REF No.	PART No.	DESCRIPTION	REF No.	PART No.	DESCRIPTION
C901	166-1007-50	50V 10pF	C905	166-1007-50	50V 10pF	PWB	039-3062-00	PWB(WITHOUT COMPONENT)
C902	166-1007-50	50V 10pF	J901	074-0898-06	6P			
C903	172-1041-11	50V 0.1uF	J902	074-0898-10	10P			
C904	166-1007-50	50V 10pF	J903	074-4027-20	20P			

CD mechanism section: 929-5000-80

SENSOR PWB(B4) section

REF No.	PART No.	DESCRIPTION	REF No.	PART No.	DESCRIPTION	REF No.	PART No.	DESCRIPTION
D1	001-7058-90	AN1105W-RR	Q1	060-4015-91	PS1192HB	S2	013-7413-50	LIMIT
D2	001-7058-90	AN1105W-RR	Q2	060-4015-91	PS1192HB	PWB	039-2675-20	PWB(WITHOUT COMPONENT)
J1	074-1138-60	10P	S1	013-7414-50	CHUCKING			

CD PWB(B5) section

REF No.	PART No.	DESCRIPTION	REF No.	PART No.	DESCRIPTION	REF No.	PART No.	DESCRIPTION
C1	168-1042-78	16V 0.1uF	C27	046-3332-78	0.033uF	R2	117-1001-15	1/8W 10 ohm
C2	163-1073-35	16V 100uF	C29	046-6822-58	6800pF	R3	033-2211-15	1/10W 220 ohm
C4	178-1052-78	1uF	C30	168-1042-78	16V 0.1uF	R5	033-0000-05	1/10W 0 ohm
C5	042-0560-85	6.3V 100uF	C31	046-4712-58	470pF	R6	033-5621-15	1/10W 5.6k ohm
C6	178-1052-78	1uF	C32	046-4712-58	470pF	R7	033-4731-15	1/10W 47k ohm
C8	178-1052-78	1uF	C33	168-1042-78	16V 0.1uF	R8	033-3341-15	1/10W 330k ohm
C10	168-1042-78	16V 0.1uF	C34	168-4732-78	16V 0.047uF	R9	033-2231-15	1/10W 22k ohm
C11	168-1042-78	16V 0.1uF	C35	168-4732-78	16V 0.047uF	R10	033-2231-15	1/10W 22k ohm
C12	045-4701-50	47pF	C36	045-1007-50	10pF	R11	033-2731-15	1/10W 27k ohm
C13	046-1532-78	0.015uF	C37	045-1007-50	10pF	R12	033-4731-15	1/10W 47k ohm
C14	168-1042-78	16V 0.1uF	C38	168-1042-78	16V 0.1uF	R13	033-2731-15	1/10W 27k ohm
C15	046-1032-78	0.015uF	C39	046-5622-58	5600pF	R14	033-1531-15	1/10W 15k ohm
C17	046-4722-58	4700pF	C40	168-1042-78	16V 0.1uF	R15	033-2731-15	1/10W 27k ohm
C18	046-1522-58	1500pF	CCT1	050-0140-63	1/32W 47k ohm x4J	R16	033-8231-15	1/10W 82k ohm
C19	168-1042-78	16V 0.1uF	D3	001-0367-91	1SS226	R17	033-2731-15	1/10W 27k ohm
C20	168-1042-78	16V 0.1uF	IC1	051-6079-90	BA5830FP-E2	R18	033-8231-15	1/10W 82k ohm
C21	046-6812-58	680pF	IC2	051-6399-00	TC94A15F	R19	033-1051-15	1/10W 1M ohm
C22	168-1042-78	16V 0.1uF	J101	074-1228-79	29P	R20	119-2221-15	1/10W 2.2k ohm
C23	046-1532-78	0.015uF	J201	074-1138-65	15P	X2	061-3534-90	16.92MHz
C24	168-1042-78	16V 0.1uF	J301	074-1138-60	10P	PWB	039-2741-20	PWB(WITHOUT COMPONENT)
C25	045-6801-50	68pF	Q3	131-1188-50	2SB1188PQR			
C26	168-1042-78	16V 0.1uF	R1	117-6811-15	1/8W 680 ohm			