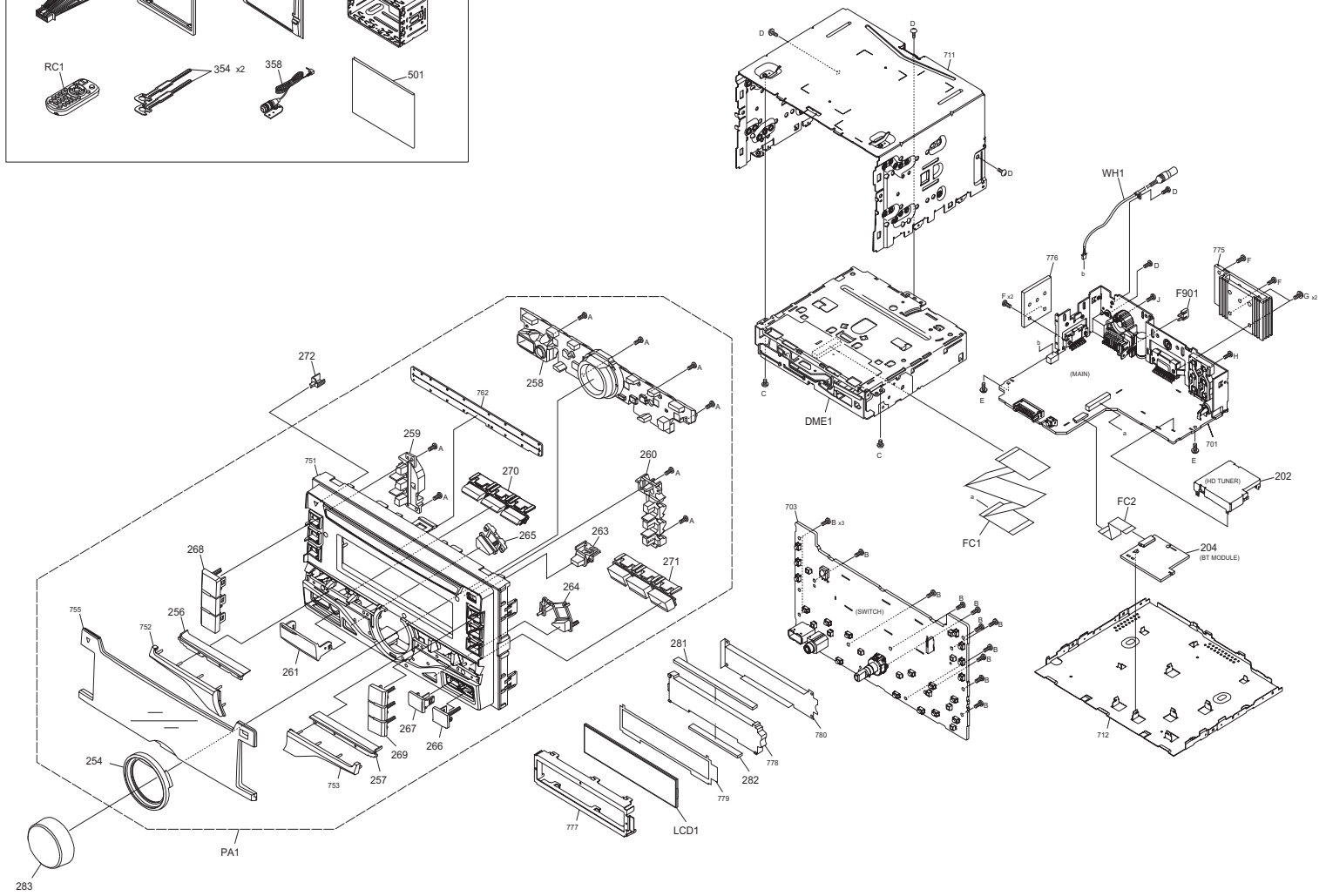
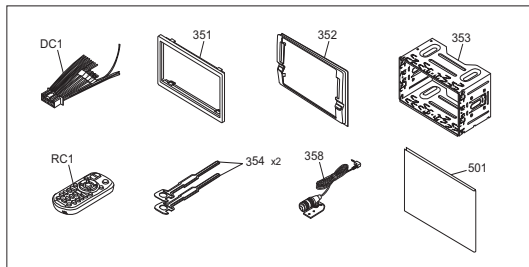


EXPLODED VIEW (UNIT)

Block No.M1MM



No.WA163

Parts with the exploded numbers larger than 700 are not supplied.

created date:2015-02-26

MODEL	MARK
DPX791BH	

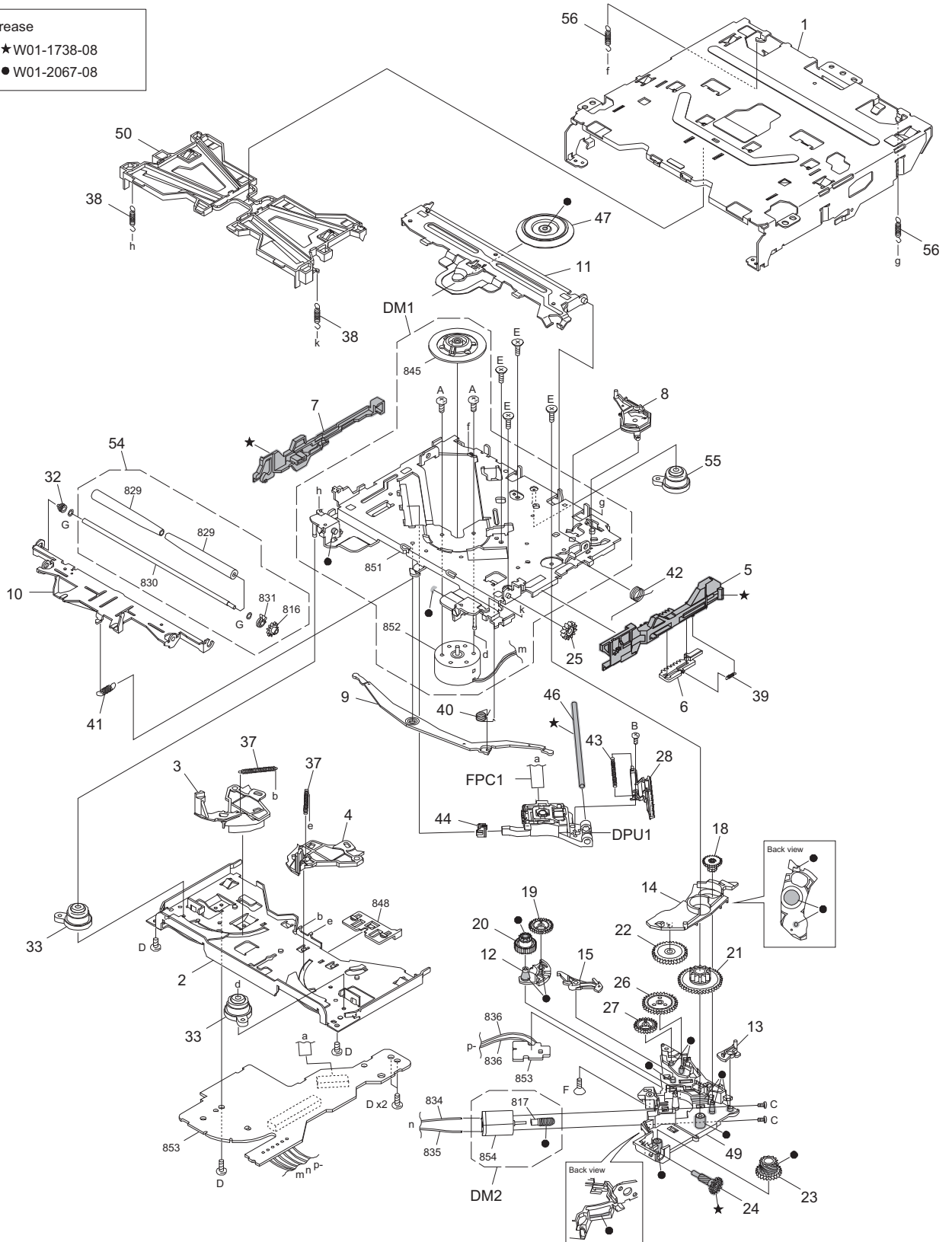
Safe	Symbol No.	Parts No.	Parts Name	Description	QTY	Local
EXPLODED VIEW (UNIT) <M1MM>						
△	DC1	QAM1623-002	DC CORD		1	
	DME1	X92-6820-01	CD MECHANISM(Made at JKEM)		1	
	DME1	or FC2-2A00NXN	CD MECHANISM(Made at JEIN)		1	
△	F901	FZB10BT-100	BLADE FUSE		1	
	FC1	E3F-0051-00	FLAT CABLE		1	
	FC2	E3F-0053-00	FLAT CABLE		1	
	LCD1	B3H-0007-00	LCD		1	
	PA1	A6D-0027-00	PANEL ASSY		1	
	RC1	QAL1303-004	REMOCON		1	
	WH1	QAM1370-001	CAR CABLE		1	
	A	N80-2005-48	P.HEAD T.SCREW		8	
	B	QYSDSF2006ZA	TAP SCREW	M2 x 6mm	13	
	C	QYSDST2604ZA	TAP SCREW	M2.6 x 4mm	2	
	D	QYSDST2606ZA	TAP SCREW	M2.6 x 6mm	5	
	E	GE40377-002A	SPECIAL SCREW		2	
	F	QYSDST2610ZA	TAP SCREW	M2.6 x 10mm	4	
	G	GE40377-005A	SPECIAL SCREW		2	
	H	QYSDSF2608ZA	TAP SCREW	M2.6 x 8mm	1	
	J	QYSDSG3006ZA	TAP SCREW	M3 x 6mm	1	
	202	XJM-0120-11	TUNER PWB ASSY		1	
	204	W0C-0054-20	BT MODULE		1	
	254	B07-3376-03	ESCUTCHEON		1	
	256	B19-2624-03	LIGHTING BOARD		1	
	257	B19-2625-03	LIGHTING BOARD		1	
	258	B19-2626-01	LIGHTING BOARD		1	
	259	B19-2627-03	LIGHTING BOARD		1	
	260	B19-2628-13	LIGHTING BOARD		1	
	261	F07-2266-12	COVER		1	
	263	K24-5209-03	PUSH KNOB		1	
	264	K24-5210-13	PUSH KNOB		1	
	265	K24-5212-13	PUSH KNOB		1	
	266	K24-5214-12	PUSH KNOB		1	
	267	K24-5216-02	PUSH KNOB		1	
	268	K25-3145-03	PUSH KNOB		1	
	269	K25-3146-03	PUSH KNOB		1	
	270	K2F-0018-00	PUSH KNOB		1	
	271	K25-3149-02	PUSH KNOB		1	
	272	B19-2641-04	LIGHTING BOARD		1	
	281	E2K-0015-00	CONDUCT RUBBER		1	
	282	E2K-0016-00	CONDUCT RUBBER		1	
	283	K28-0530-13	KNOB ASSY		1	
	351	GE20366-001A	TRIM PLATE		1	
	352	B07-3380-01	ESCUTCHEON		1	
	353	LV22876-001A	SLEEVE ASSY		1	
	354	LV45516-001A	LEVER		2	
	358	QAN0126-001	MICROPHONE		1	
	501	B5A-0344-10	INST.MANUAL	ENG FRE SPA	1	

EXPLODED VIEW (CD MECHANISM: X92-6820-01)

Block No.MBMM

The differences between X92-6820-01 and FC2-2A00NXN,
please refer to SECTION 2 "How to identify the CD mechanism ASSY".

Grease
 ★ W01-1738-08
 ● W01-2067-08



Parts with the exploded numbers larger than 800 are not supplied.

MODEL	MARK
DPX791BH	

Safe	Symbol No.	Parts No.	Parts Name	Description	QTY	Local
------	------------	-----------	------------	-------------	-----	-------

EXPLODED VIEW (CD MECHANISM: X92-6820-01) <MBMM>

	DM1	CM-FC2-MD	MD CHASSIS ASSY		1	
	DM2	CM-FC2-M	LOADING MOTOR ASSY		1	
△	DPU1	QAL1521-001	PICK UP		1	
	FPC1	QAL1465-001	FPC		1	
A		LV45568-001A	MINI SCREW		2	
B		QYSPSGT1745ZA	TAP SCREW	M1.7 x 4.5mm	1	
C		QYSPSPT2025MA	SCREW	M2 x 2.5mm	2	
D		N09-6108-15	TAPTITE SCREW		5	
E		N09-6738-15	TAPTITE SCREW		4	
F		N09-6921-05	TAPTITE SCREW		1	
G		N19-2356-04	FLAT WASHER		2	
1		A10-5625-21	OUTER CHASSIS		1	
2		A10-5626-01	LOWER CHASSIS		1	
3		D10-7174-03	DISC ARM L		1	
4		D10-7175-03	DISC ARM R		1	
5		D10-7177-02	SLIDER R		1	
6		D10-7178-03	TRIGGER SLIDER		1	
7		D10-7179-02	SLIDER L		1	
8		D10-7180-03	TRIGGER ARM		1	
9		D10-7181-13	JOINT LEVER		1	
10		D10-7182-12	ROLLER LEVER		1	
11		D10-7183-02	CLAMP ARM		1	
12		D10-7184-03	TRANSFER ARM		1	
13		D10-7185-04	SL LOCK CAM		1	
14		D10-7186-03	SL LOCK ARM		1	
15		D10-7187-13	PICK LOCK ARM		1	
18		D13-3104-04	HELICAL GEAR 1		1	
19		D13-3105-04	TRANSFER GEAR		1	
20		D13-3106-04	LOAD GEAR H		1	
21		D13-3107-04	DRIVE GEAR		1	
22		D13-3108-04	JOINT GEAR		1	
23		D13-3109-04	WORM GEAR 2		1	
24		D13-3110-04	HELICAL GEAR 2		1	
25		D13-3111-04	LOAD GEAR V		1	
26		D13-3112-04	PICK GEAR 1		1	
27		D13-3113-04	PICK GEAR 2		1	
28		D13-3114-03	RACK GEAR		1	
32		D23-0974-14	R.RETAINER L		1	
33		D39-0403-05	DAMPER F		2	
37		G01-4810-04	DISC ARM SPRING		2	
38		G01-4829-04	FLOAT SPRING(F)		2	
39		G01-4813-04	TRIGGER SPRING		1	
40		G01-4814-04	LOAD SPRING		1	
41		G01-4815-04	ROLLER SPRING		1	
42		G01-4816-04	CLAMP SPRING		1	
43		G01-4817-04	PICK SPRING		1	
44		LV36813-501A	SUB GUIDE CAP		1	
46		LV44555-001A	MAIN SHAFT		1	
47		J11-0692-03	CLAMPER		1	
49		J19-7360-21	GEAR HOLDER		1	
50		J90-1209-21	DISC GUIDE		1	
54		CM-FC2-R	ROLLER ASSY		1	
55		D39-0404-05	DAMPER R		1	
56		G01-4812-04	FLOAT SPRING(R)		2	

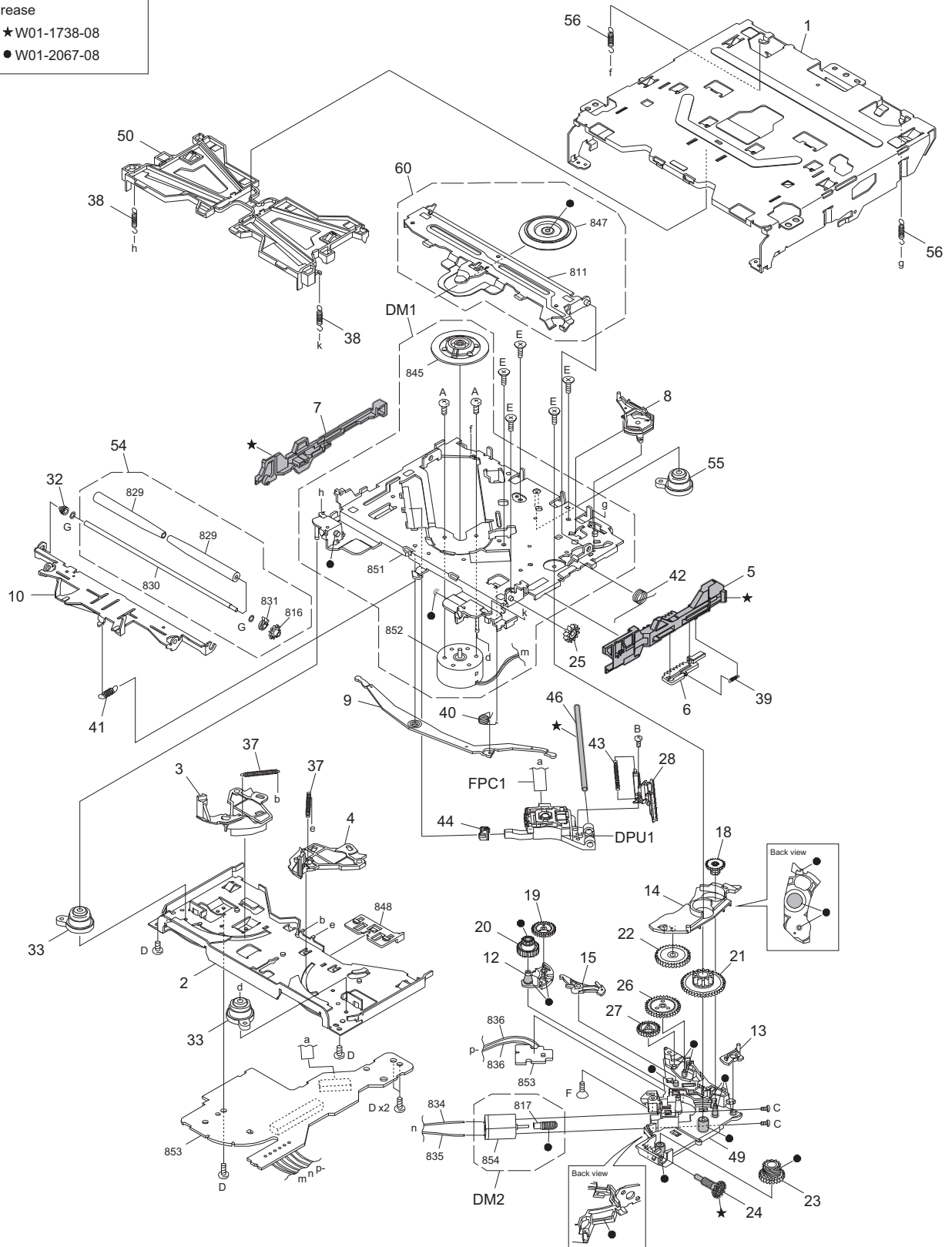
EXPLODED VIEW (CD MECHANISM: FC2-2A00NXN)

Block No.MCMM

The differences between X92-6820-01 and FC2-2A00NXN,
please refer to SECTION 2 "How to identify the CD mechanism ASSY".

Grease

- ★ W01-1738-08
- W01-2067-08



Parts with the exploded numbers larger than 800 are not supplied.

MODEL	MARK
DPX791BH	

Safe	Symbol No.	Parts No.	Parts Name	Description	QTY	Local
EXPLODED VIEW (CD MECHANISM: FC2-2A00NXN) <MCMM>						
	DM1	CM-FC2-MD	MD CHASSIS ASSY		1	
	DM2	CM-FC2-M	LOADING MOTOR ASSY		1	
△	DPU1	QAL1521-001	PICK UP		1	
	FPC1	QAL1465-001	FPC		1	
A		LV45568-001A	MINI SCREW		2	
B		QYSPSGT1745ZA	TAP SCREW	M1.7 x 4.5mm	1	
C		QYSPSPT2025MA	SCREW	M2 x 2.5mm	2	
D		VKZ4539-054	MINI SCREW		5	
E		LV45818-001A	G.HOLDER SCREW		5	
F		LV45815-001A	M. SHAFT SCREW		1	
G		LV45816-001A	ROLLER WASHER		2	
1		LV11877-003A	OUTER CHASSIS		1	
2		LV11878-003A	LOWER CHASSIS		1	
3		LV3A174-002A	DISC ARM L		1	
4		LV3A175-001A	DISC ARM R		1	
5		LV23057-001A	SLIDER R		1	
6		LV3A178-001A	TRIGGER SLIDER		1	
7		LV23058-001A	SLIDER L		1	
8		LV3A179-002A	TRIGGER ARM		1	
9		LV3A173-001A	JOINT LEVER		1	
10		LV23055-002A	ROLLER LEVER		1	
12		LV3A181-002A	TRANSFER ARM		1	
13		LV45797-002A	SL LOCK CAM		1	
14		LV3A182-003A	SL LOCK ARM		1	
15		LV3A183-001A	PICK LOCK ARM		1	
18		LV3A187-002A	HELICAL GEAR 1		1	
19		LV3A188-001A	TRANSFER GEAR		1	
20		LV3A189-001A	LOAD GEAR H		1	
21		LV3A190-001A	DRIVE GEAR		1	
22		LV3A191-001A	JOINT GEAR		1	
23		LV3A192-001A	WORM GEAR 2		1	
24		LV3A193-001A	HELICAL GEAR 2		1	
25		LV3A194-001A	LOAD GEAR V		1	
26		LV3A195-001A	PICK GEAR 1		1	
27		LV3A196-001A	PICK GEAR 2		1	
28		LV3A197-001A	RACK GEAR		1	
32		LV45796-001A	R.RETAINER L		1	
33		D39-0403-05	DAMPER		2	
37		LV45808-001A	DISC ARM SPRING		2	
38		LV45809-001A	FLOAT SPRING(F)		2	
39		LV45810-001A	TRIGGER SPRING		1	
40		LV45811-001A	LOAD SPRING		1	
41		LV45812-001A	ROLLER SPRING		1	
42		LV45813-001A	CLAMP SPRING		1	
43		LV45814-001A	PICK SPRING		1	
44		LV36813-201A	SUB GUIDE CAP		1	
46		LV44555-001A	MAIN SHAFT		1	
49		LV11881-002A	GEAR HOLDER		1	
50		LV11880-003A	DISC GUIDE		1	
54		CM-FC2-R	ROLLER ASSY		1	
55		D39-0404-05	DAMPER		1	
56		LV45835-001A	FLOAT SPRING(R)		2	
60		LV3A271-001A	CL BASE ASSY		1	

MODEL	MARK
DPX791BH	

Safe	Symbol No.	Parts No.	Parts Name	Description	QTY	Local
MAIN PWB ASSY (XJ1-0730-10) <01>						
	IC161	TDA7721-X	IC		1	
△	IC301	JCV8034	IC		1	
	IC411	MFI337S3959-X	IC		1	
△	IC540	MN6627553APA	IC		1	
△	IC701	R5S726A0D216FP	IC		1	
△	IC821	W3F-0066-00	IC		1	
	IC831	BU4228F-W	IC		1	
	IC841	BR24T02FJ-W-X	IC		1	
	IC851	BU1CTD3WG-W	IC		1	
	IC860	MP9942GJ	ANALOG IC		1	
	IC890	NCP380HSNAJAA-X	IC		1	
△	IC901	LV5685PV-H	ANALOG IC		1	
	IC941	BU33TD3WG-W	IC		1	
	Q220	LSCR523EBFS8	TRANSISTOR		1	
	Q250	LTC043TEB-X	DIGI TRANSISTOR		1	
	Q270	LTA024EEB-X	DIGI TRANSISTOR		1	
	Q271	LSAR523UBFS8	TRANSISTOR		1	
	Q272	LTC024EEB-X	DIGI TRANSISTOR		1	
	Q273	LTA024EEB-X	DIGI TRANSISTOR		1	
	Q320	LTC043TEB-X	DIGI TRANSISTOR		1	
	Q330	LTC043TEB-X	DIGI TRANSISTOR		1	
	Q340	LTC043TEB-X	DIGI TRANSISTOR		1	
	Q350	LTC043TEB-X	DIGI TRANSISTOR		1	
	Q470	LTC014EEBFS8	DIGI TRANSISTOR		1	
	Q471	LTC043TEB-X	DIGI TRANSISTOR		1	
	Q540	2SA2188/E/-X	TRANSISTOR		1	
	Q701	LTA014YEB-X	DIGI TRANSISTOR		1	
	Q960	RSQ030P03-W	MOS FET		1	
	Q961	LTC044EUBFS8	DIGI TRANSISTOR		1	
	Q1001	2SC4097P/R/	TRANSISTOR		1	
	D100	RSB6.8SM-X	BP Z DIODE		1	
	D101	RSB6.8SM-X	BP Z DIODE		1	
	D231	DZ2J056M	ZENER DIODE		1	
	D270	BAW56-TP-X	SI DIODE		1	
	D271	BAW56-TP-X	SI DIODE		1	
	D273	DA2J101	DIODE		1	
	D370	BAW56-TP-X	SI DIODE		1	
	D390	MBRX130	SCHOTTKY DIODE		1	
	D391	MBRX130	SCHOTTKY DIODE		1	
	D400	RB521SM-30-X	SB DIODE		1	
	D401	DZ2J051M	ZENER DIODE		1	
	D471	RSB6.8SM-X	BP Z DIODE		1	
	D472	RSB6.8SM-X	BP Z DIODE		1	
	D473	RSB6.8SM-X	BP Z DIODE		1	
	D474	RSB6.8SM-X	BP Z DIODE		1	
	D475	DZ2J068M	ZENER DIODE		1	
	D476	DZ2J068M	ZENER DIODE		1	
	D601	F0K-0014-00	SURGE ABSORBER		1	
	D861	DB22306	SCHOTTKY DIODE		1	
	D902	SK34A-L-X	SB DIODE		1	
	D903	SK34A-L-X	SB DIODE		1	
△	D990	1N5401-BPC04	SI DIODE		1	
	D1220	DZ2J062M	ZENER DIODE		1	
	D1224	DZ2J075M	ZENER DIODE		1	
	D1225	DA2J101	DIODE		1	
	C100	CK73GXR1H104K	C CAPACITOR	0.1uF 50V K	1	
	C101	CK73GXB1H472K	C CAPACITOR	4700pF 50V K	1	
	C102	CK73GXB1H472K	C CAPACITOR	4700pF 50V K	1	
	C103	CK73GXR1A105K	C CAPACITOR	1uF 10V K	1	
	C104	CK73GXR1A105K	C CAPACITOR	1uF 10V K	1	
	C105	CK73GXR1A105K	C CAPACITOR	1uF 10V K	1	
	C163	CD04AV1V4R7M	E CAPACITOR	4.7uF 35V M	1	
	C164	CD04AV1V4R7M	E CAPACITOR	4.7uF 35V M	1	
	C169	CK73GXR1A105K	C CAPACITOR	1uF 10V K	1	
	C170	CK73GXR1C105K	C CAPACITOR	1uF 16V K	1	
	C171	CK73GXR1H104K	C CAPACITOR	0.1uF 50V K	1	
	C172	CD04AS1C220M	E CAPACITOR	22uF 16V M	1	
	C173	CD04AV1C100M	E CAPACITOR	10uF 16V M	1	
	C177	CK73GXR1A105K	C CAPACITOR	1uF 10V K	1	
	C223	CK73GXR1H104K	C CAPACITOR	0.1uF 50V K	1	
	C224	CK73GXR1H104K	C CAPACITOR	0.1uF 50V K	1	
	C233	CK73FXR0J106K	C CAPACITOR	10uF 6.3V K	1	
	C251	CD04AV1C100M	E CAPACITOR	10uF 16V M	1	
	C304	CD04AV1C470M	E CAPACITOR	47uF 16V M	1	
	C311	CK73GXR1A105K	C CAPACITOR	1uF 10V K	1	
	C312	CK730AV1C105K	C CAPACITOR	1uF 16V K	1	
	C313	CK73GXR0J475K	C CAPACITOR	4.7uF 6.3V K	1	
	C316	CK730AV1C224K	C CAPACITOR	0.22uF 16V K	1	
	C317	CK730AV1C224K	C CAPACITOR	0.22uF 16V K	1	
	C318	CK730AV1C224K	C CAPACITOR	0.22uF 16V K	1	
	C319	CK730AV1C224K	C CAPACITOR	0.22uF 16V K	1	
	C321	CD04AV1C100M	E CAPACITOR	10uF 16V M	1	
	C331	CD04AV1C100M	E CAPACITOR	10uF 16V M	1	
	C341	CD04AV1C100M	E CAPACITOR	10uF 16V M	1	
	C351	CD04AV1C100M	E CAPACITOR	10uF 16V M	1	
	C370	CK73GXR1H104K	C CAPACITOR	0.1uF 50V K	1	
	C390	CK73FBB1H224K	C CAPACITOR	0.22uF 50V K	1	
	C410	CK73GXR1H104K	C CAPACITOR	0.1uF 50V K	1	
	C472	CK73GXR1H104K	C CAPACITOR	0.1uF 50V K	1	
	C473	CK73GXR1A105K	C CAPACITOR	1uF 10V K	1	
	C474	CK73GXR1A105K	C CAPACITOR	1uF 10V K	1	

MODEL	MARK
DPX791BH	

Safe	Symbol No.	Parts No.	Parts Name	Description	QTY	Local
	C475	CK73GXR1A105K	C CAPACITOR	1uF 10V K	1	
	C510	CK73GBB1H472K	C CAPACITOR	4700pF 50V K	1	
	C540	CK73GXR1H104K	C CAPACITOR	0.1uF 50V K	1	
	C541	CK73GXR1H104K	C CAPACITOR	0.1uF 50V K	1	
	C544	CK73GBB1H103K	C CAPACITOR	0.01uF 50V K	1	
	C545	CK73GBB1H103K	C CAPACITOR	0.01uF 50V K	1	
	C546	CK73GBB1H682K	C CAPACITOR	6800pF 50V K	1	
	C547	CK73GBB1H682K	C CAPACITOR	6800pF 50V K	1	
	C548	CK73GXR0J475K	C CAPACITOR	4.7uF 6.3V K	1	
	C549	CK73GXR1H104K	C CAPACITOR	0.1uF 50V K	1	
	C550	CK73GBB1C154K	C CAPACITOR	0.15uF 16V K	1	
	C552	CK73GBB1H682K	C CAPACITOR	6800pF 50V K	1	
	C553	CK73GXR1H104K	C CAPACITOR	0.1uF 50V K	1	
	C555	CK73GBB1H223K	C CAPACITOR	0.022uF 50V K	1	
	C556	CK73GBB1H332K	C CAPACITOR	3300pF 50V K	1	
	C557	CK73GBB1A334K	C CAPACITOR	0.33uF 10V K	1	
	C558	CK73GXR0J475K	C CAPACITOR	4.7uF 6.3V K	1	
	C559	CK73GXR1H104K	C CAPACITOR	0.1uF 50V K	1	
	C560	CK73GBB1H681K	C CAPACITOR	680pF 50V K	1	
	C561	CK73FXR0J106K	C CAPACITOR	10uF 6.3V K	1	
	C562	CK73GBB1H153K	C CAPACITOR	0.015uF 50V K	1	
	C563	CK73GXR1H104K	C CAPACITOR	0.1uF 50V K	1	
	C564	CK73GBB1H102K	C CAPACITOR	1000pF 50V K	1	
	C565	CK73GBB1E823K	C CAPACITOR	0.082uF 25V K	1	
	C567	CK73GBB1H102K	C CAPACITOR	1000pF 50V K	1	
	C568	CK73GBB1A334K	C CAPACITOR	0.33uF 10V K	1	
	C570	CK73GXR1H104K	C CAPACITOR	0.1uF 50V K	1	
	C571	CK73GXR1H104K	C CAPACITOR	0.1uF 50V K	1	
	C572	CK73FXR0J106K	C CAPACITOR	10uF 6.3V K	1	
	C573	CK73GXR1H104K	C CAPACITOR	0.1uF 50V K	1	
	C574	CK73GBB1H472K	C CAPACITOR	4700pF 50V K	1	
	C576	CK73GXR1H104K	C CAPACITOR	0.1uF 50V K	1	
	C577	CC73GCH1H100D	C CAPACITOR	10pF 50V D	1	
	C578	CC73GCH1H120J	C CAPACITOR	12pF 50V J	1	
	C579	CK73GXR1H104K	C CAPACITOR	0.1uF 50V K	1	
	C583	CK73GBB1H821K	C CAPACITOR	820pF 50V K	1	
	C584	CK73GBB1H821K	C CAPACITOR	820pF 50V K	1	
	C588	CK73GBB1H681K	C CAPACITOR	680pF 50V K	1	
	C589	CK73GBB1H681K	C CAPACITOR	680pF 50V K	1	
	C600	CK73GXR1H104K	C CAPACITOR	0.1uF 50V K	1	
	C601	CK73GBB1H472K	C CAPACITOR	4700pF 50V K	1	
	C602	CK73FXR0J106K	C CAPACITOR	10uF 6.3V K	1	
	C603	CC73GCH1H050C	C CAPACITOR	5pF 50V C	1	
	C606	CC73GCH1H060D	C CAPACITOR	6pF 50V D	1	
	C700	CK73GXR1H104K	C CAPACITOR	0.1uF 50V K	1	
	C701	CK73GXR1H104K	C CAPACITOR	0.1uF 50V K	1	
	C702	CK73GXR1H104K	C CAPACITOR	0.1uF 50V K	1	
	C703	CK73GXR1H104K	C CAPACITOR	0.1uF 50V K	1	
	C704	CK73GXR1H104K	C CAPACITOR	0.1uF 50V K	1	
	C705	CK73GXR1H104K	C CAPACITOR	0.1uF 50V K	1	
	C706	CK73GXR1H104K	C CAPACITOR	0.1uF 50V K	1	
	C707	CC73GCH1H090D	C CAPACITOR	9pF 50V D	1	
	C708	CC73GCH1H090D	C CAPACITOR	9pF 50V D	1	
	C709	CK73GXR1H104K	C CAPACITOR	0.1uF 50V K	1	
	C710	CK73GXR1H104K	C CAPACITOR	0.1uF 50V K	1	
	C711	CK73GBB1H472K	C CAPACITOR	4700pF 50V K	1	
	C712	CK73GXR1H104K	C CAPACITOR	0.1uF 50V K	1	
	C713	CK73GXR1H104K	C CAPACITOR	0.1uF 50V K	1	
	C716	CK73GXR1H104K	C CAPACITOR	0.1uF 50V K	1	
	C717	CK73GXR1H104K	C CAPACITOR	0.1uF 50V K	1	
	C718	CK73GXR1H104K	C CAPACITOR	0.1uF 50V K	1	
	C722	CC73GCH1H101J	C CAPACITOR	100pF 50V J	1	
	C723	CC73GCH1H101J	C CAPACITOR	100pF 50V J	1	
	C724	CC73GCH1H101J	C CAPACITOR	100pF 50V J	1	
	C736	CC73GCH1H101J	C CAPACITOR	100pF 50V J	1	
	C820	CK73GBB1H472K	C CAPACITOR	4700pF 50V K	1	
	C821	CK73GBB1H471K	C CAPACITOR	470pF 50V K	1	
	C830	CK73GBB1H682K	C CAPACITOR	6800pF 50V K	1	
	C831	CK73GXR1H104K	C CAPACITOR	0.1uF 50V K	1	
	C832	CK73GXR1H104K	C CAPACITOR	0.1uF 50V K	1	
	C840	CK73GBB1C473K	C CAPACITOR	0.047uF 16V K	1	
	C850	CK73GBB1C474K	C CAPACITOR	0.47uF 16V K	1	
	C851	CK73GBB1C474K	C CAPACITOR	0.47uF 16V K	1	
	C852	CD04AS0J101M	E CAPACITOR	100uF 6.3V M	1	
	C860	CK73GXR1H104K	C CAPACITOR	0.1uF 50V K	1	
	C861	CK73EXR1E106K	C CAPACITOR	10uF 25V K	1	
	C863	CK73GBB1C224K	C CAPACITOR	0.22uF 16V K	1	
	C864	CK73GBB1C224K	C CAPACITOR	0.22uF 16V K	1	
	C865	CK73FXR0J106K	C CAPACITOR	10uF 6.3V K	1	
	C866	CK73FXR0J106K	C CAPACITOR	10uF 6.3V K	1	
	C867	CK73GXR1H104K	C CAPACITOR	0.1uF 50V K	1	
	C868	QE20850-157Z	E CAPACITOR	150uF	1	
	C869	CC73GCH1H150J	C CAPACITOR	15pF 50V J	1	
	C870	CK73GXR1H104K	C CAPACITOR	0.1uF 50V K	1	
	C871	CK73GXR1H104K	C CAPACITOR	0.1uF 50V K	1	
	C872	CK73EXR1E106K	C CAPACITOR	10uF 25V K	1	
	C890	CK73GXR1H104K	C CAPACITOR	0.1uF 50V K	1	
	C891	CK73GXR1H104K	C CAPACITOR	0.1uF 50V K	1	
	C904	CK73GXR1A105K	C CAPACITOR	1uF 10V K	1	
	C905	CD04AR1C471M	E CAPACITOR	470uF 16V M	1	
	C907	CD04AS0J101M	E CAPACITOR	100uF 6.3V M	1	
	C908	CK73GXR1C105K	C CAPACITOR	1uF 16V K	1	

MODEL	MARK
DPX791BH	

Safe	Symbol No.	Parts No.	Parts Name	Description	QTY	Local
	C909	CK73GXR1H104K	C CAPACITOR	0.1uF 50V K	1	
	C911	CK73GXR1H104K	C CAPACITOR	0.1uF 50V K	1	
	C912	CK73GXR1H104K	C CAPACITOR	0.1uF 50V K	1	
	C914	CK73GXR1C105K	C CAPACITOR	1uF 16V K	1	
	C915	CK73GXR1A105K	C CAPACITOR	1uF 10V K	1	
	C940	CK73FXR0J106K	C CAPACITOR	10uF 6.3V K	1	
	C941	CK73GXR1H104K	C CAPACITOR	0.1uF 50V K	1	
	C942	CK73FXR0J106K	C CAPACITOR	10uF 6.3V K	1	
	C990	CD04EU1C222M2	E CAPACITOR	2200uF 16V M	1	
	C1000	CK73GXR1H104K	C CAPACITOR	0.1uF 50V K	1	
	C1001	CK73GBB1H471K	C CAPACITOR	470pF 50V K	1	
	C1003	CK73FXR0J106K	C CAPACITOR	10uF 6.3V K	1	
	C1004	CK73GBB1H471K	C CAPACITOR	470pF 50V K	1	
	C1005	CK73GBB1H471K	C CAPACITOR	470pF 50V K	1	
	C1021	CK73GXR1A105K	C CAPACITOR	1uF 10V K	1	
	C1034	CK73GXR1H104K	C CAPACITOR	0.1uF 50V K	1	
	C1039	CK73GBB1H472K	C CAPACITOR	4700pF 50V K	1	
	C1041	CK73GBB1H471K	C CAPACITOR	470pF 50V K	1	
	C1042	CK73GBB1H471K	C CAPACITOR	470pF 50V K	1	
	C1044	CK73GBB1H471K	C CAPACITOR	470pF 50V K	1	
	C1049	CK73GXR1H104K	C CAPACITOR	0.1uF 50V K	1	
	C1051	CC73GCH1H050C	C CAPACITOR	5pF 50V C	1	
	C1077	CC73GCH1H050C	C CAPACITOR	5pF 50V C	1	
	C1078	CC73GCH1H050C	C CAPACITOR	5pF 50V C	1	
	C1092	CK73GXR1H104K	C CAPACITOR	0.1uF 50V K	1	
	C1096	CK73GXR1H104K	C CAPACITOR	0.1uF 50V K	1	
	C1097	CK73GXR1H104K	C CAPACITOR	0.1uF 50V K	1	
	C1103	CK73GBB1H471K	C CAPACITOR	470pF 50V K	1	
	C1104	CK73GBB1H472K	C CAPACITOR	4700pF 50V K	1	
	C1110	CK73GBB1H471K	C CAPACITOR	470pF 50V K	1	
	C1222	CK73FXR1C106K	C CAPACITOR	10uF 16V K	1	
	C1233	CC73GCH1H020C	C CAPACITOR	2pF 50V C	1	
	C1241	CC73GCH1H070D	C CAPACITOR	7pF 50V D	1	
	C1242	CC73GCH1H070D	C CAPACITOR	7pF 50V D	1	
	C1243	CK73GXR1H104K	C CAPACITOR	0.1uF 50V K	1	
	C1246	CC73GCH1H080D	C CAPACITOR	8pF 50V D	1	
	C1252	CC73GCH1H020C	C CAPACITOR	2pF 50V C	1	
	C1253	CC73GCH1H020C	C CAPACITOR	2pF 50V C	1	
	R100	RK73GB2A471J	MG RESISTOR	470Ω 1/10W J	1	
	R103	RK73GB2A473J	MG RESISTOR	47kΩ 1/10W J	1	
	R104	RK73GB2A473J	MG RESISTOR	47kΩ 1/10W J	1	
	R162	RK73GB2A000J	MG RESISTOR	0Ω 1/10W J	1	
	R164	RK73GB2A000J	MG RESISTOR	0Ω 1/10W J	1	
	R168	RK73GB2A101J	MG RESISTOR	100Ω 1/10W J	1	
	R169	RK73GB2A101J	MG RESISTOR	100Ω 1/10W J	1	
	R170	RK73EB2E000J	MG RESISTOR	0Ω 1/4W J	1	
	R171	RK73GB2A103J	MG RESISTOR	10kΩ 1/10W J	1	
	R220	RK73GB2A000J	MG RESISTOR	0Ω 1/10W J	1	
	R221	RK73GB2A101J	MG RESISTOR	100Ω 1/10W J	1	
	R223	RK73GB2A222J	MG RESISTOR	2.2kΩ 1/10W J	1	
	R224	RK73GB2A222J	MG RESISTOR	2.2kΩ 1/10W J	1	
	R225	RK73GB2A471J	MG RESISTOR	470Ω 1/10W J	1	
	R226	RK73GB2A471J	MG RESISTOR	470Ω 1/10W J	1	
	R227	RK73GB2A471J	MG RESISTOR	470Ω 1/10W J	1	
	R236	RK73GB2A471J	MG RESISTOR	470Ω 1/10W J	1	
	R237	RK73GB2A681J	MG RESISTOR	680Ω 1/10W J	1	
	R240	RK73GB2A000J	MG RESISTOR	0Ω 1/10W J	1	
	R242	RK73GB2A000J	MG RESISTOR	0Ω 1/10W J	1	
	R250	RK73GB2A181J	MG RESISTOR	180Ω 1/10W J	1	
	R251	RK73GB2A223J	MG RESISTOR	22kΩ 1/10W J	1	
	R252	RK73GB2A331J	MG RESISTOR	330Ω 1/10W J	1	
	R253	RK73GB2A000J	MG RESISTOR	0Ω 1/10W J	1	
	R270	RK73GB2A104J	MG RESISTOR	100kΩ 1/10W J	1	
	R271	RK73GB2A331J	MG RESISTOR	330Ω 1/10W J	1	
	R273	RK73GB2A223J	MG RESISTOR	22kΩ 1/10W J	1	
	R302	RK73GB2A222J	MG RESISTOR	2.2kΩ 1/10W J	1	
	R303	RK73EB2E5R1J	MG RESISTOR	5.1Ω 1/4W J	1	
	R304	RK73GB2A000J	MG RESISTOR	0Ω 1/10W J	1	
	R307	RK73GB2A101J	MG RESISTOR	100Ω 1/10W J	1	
	R320	RK73GB2A181J	MG RESISTOR	180Ω 1/10W J	1	
	R321	RK73GB2A223J	MG RESISTOR	22kΩ 1/10W J	1	
	R323	RK73GB2A331J	MG RESISTOR	330Ω 1/10W J	1	
	R330	RK73GB2A181J	MG RESISTOR	180Ω 1/10W J	1	
	R331	RK73GB2A223J	MG RESISTOR	22kΩ 1/10W J	1	
	R333	RK73GB2A331J	MG RESISTOR	330Ω 1/10W J	1	
	R340	RK73GB2A181J	MG RESISTOR	180Ω 1/10W J	1	
	R341	RK73GB2A223J	MG RESISTOR	22kΩ 1/10W J	1	
	R342	RK73GB2A000J	MG RESISTOR	0Ω 1/10W J	1	
	R343	RK73GB2A331J	MG RESISTOR	330Ω 1/10W J	1	
	R350	RK73GB2A181J	MG RESISTOR	180Ω 1/10W J	1	
	R351	RK73GB2A223J	MG RESISTOR	22kΩ 1/10W J	1	
	R353	RK73GB2A331J	MG RESISTOR	330Ω 1/10W J	1	
	R370	RK73GB2A683J	MG RESISTOR	68kΩ 1/10W J	1	
	R371	RK73GB2A123J	MG RESISTOR	12kΩ 1/10W J	1	
	R372	RK73GB2A103J	MG RESISTOR	10kΩ 1/10W J	1	
	R390	RK73EB2E472J	MG RESISTOR	4.7kΩ 1/4W J	1	
	R400	RK73GB2A102J	MG RESISTOR	1kΩ 1/10W J	1	
	R402	RK73GB2A225J	MG RESISTOR	2.2MΩ 1/10W J	1	
	R410	RK73GB2A101J	MG RESISTOR	100Ω 1/10W J	1	
	R411	RK73GB2A101J	MG RESISTOR	100Ω 1/10W J	1	
	R412	RK73GB2A472J	MG RESISTOR	4.7kΩ 1/10W J	1	
	R413	RK73GB2A472J	MG RESISTOR	4.7kΩ 1/10W J	1	
	R414	RK73GB2A472J	MG RESISTOR	4.7kΩ 1/10W J	1	

MODEL	MARK
DPX791BH	

Safe	Symbol No.	Parts No.	Parts Name	Description	QTY	Local
	R470	RK73GB2A104J	MG RESISTOR	100kΩ 1/10W J	1	
	R471	RK73GB2A101J	MG RESISTOR	100Ω 1/10W J	1	
	R472	RK73GB2A101J	MG RESISTOR	100Ω 1/10W J	1	
	R476	RK73GB2A222J	MG RESISTOR	2.2kΩ 1/10W J	1	
	R477	RK73GB2A101J	MG RESISTOR	100Ω 1/10W J	1	
	R478	RK73GB2A101J	MG RESISTOR	100Ω 1/10W J	1	
	R482	RK73GB2A472J	MG RESISTOR	4.7kΩ 1/10W J	1	
	R483	RK73EB2E221J	MG RESISTOR	220Ω 1/4W J	1	
	R541	RK73GB2A562J	MG RESISTOR	5.6kΩ 1/10W J	1	
	R542	RK73GB2A223J	MG RESISTOR	22kΩ 1/10W J	1	
	R543	RK73GB2A562J	MG RESISTOR	5.6kΩ 1/10W J	1	
	R544	RK73GB2A183J	MG RESISTOR	18kΩ 1/10W J	1	
	R546	RK73GB2A103J	MG RESISTOR	10kΩ 1/10W J	1	
	R548	RK73GB2A123J	MG RESISTOR	12kΩ 1/10W J	1	
	R550	RK73GB2A222J	MG RESISTOR	2.2kΩ 1/10W J	1	
	R551	RK73GB2A222J	MG RESISTOR	2.2kΩ 1/10W J	1	
	R554	RK73GB2A225J	MG RESISTOR	2.2MΩ 1/10W J	1	
	R556	RK73GB2A472J	MG RESISTOR	4.7kΩ 1/10W J	1	
	R557	RK73EB2E4R7J	MG RESISTOR	4.7Ω 1/4W J	1	
	R558	RK73GB2A821J	MG RESISTOR	820Ω 1/10W J	1	
	R559	RK73GB2A272J	MG RESISTOR	2.7kΩ 1/10W J	1	
	R562	RK73EB2E823J	MG RESISTOR	82kΩ 1/4W J	1	
	R565	RK73GB2A121J	MG RESISTOR	120Ω 1/10W J	1	
	R567	RK73GB2A000J	MG RESISTOR	0Ω 1/10W J	1	
	R569	RK73EB2E102J	MG RESISTOR	1kΩ 1/4W J	1	
	R570	RK73GB2A101J	MG RESISTOR	100Ω 1/10W J	1	
	R571	RK73GB2A103J	MG RESISTOR	10kΩ 1/10W J	1	
	R572	RK73GB2A102J	MG RESISTOR	1kΩ 1/10W J	1	
	R573	RK73GB2A105J	MG RESISTOR	1MΩ 1/10W J	1	
	R579	RK73GB2A222J	MG RESISTOR	2.2kΩ 1/10W J	1	
	R580	RK73GB2A222J	MG RESISTOR	2.2kΩ 1/10W J	1	
	R587	RK73GB2A5R1J	MG RESISTOR	5.1Ω 1/10W J	1	
	R589	RK73GB2A821J	MG RESISTOR	820Ω 1/10W J	1	
	R590	RK73GB2A821J	MG RESISTOR	820Ω 1/10W J	1	
	R600	RK73GB2A100J	MG RESISTOR	10Ω 1/10W J	1	
	R602	RK73GB2A2R0J	MG RESISTOR	2Ω 1/10W J	1	
	R650	RK73GB2A101J	MG RESISTOR	100Ω 1/10W J	1	
	R651	RK73GB2A101J	MG RESISTOR	100Ω 1/10W J	1	
	R652	RK73GB2A391J	MG RESISTOR	390Ω 1/10W J	1	
	R653	RK73GB2A101J	MG RESISTOR	100Ω 1/10W J	1	
	R654	RK73GB2A101J	MG RESISTOR	100Ω 1/10W J	1	
	R661	RK73GB2A000J	MG RESISTOR	0Ω 1/10W J	1	
	R662	RK73GB2A000J	MG RESISTOR	0Ω 1/10W J	1	
	R701	RK73GB2A162J	MG RESISTOR	1.6kΩ 1/10W J	1	
	R702	RK73GB2A472J	MG RESISTOR	4.7kΩ 1/10W J	1	
	R703	RK73GB2A162J	MG RESISTOR	1.6kΩ 1/10W J	1	
	R704	RK73GB2A162J	MG RESISTOR	1.6kΩ 1/10W J	1	
	R705	RK73GB2A162J	MG RESISTOR	1.6kΩ 1/10W J	1	
	R707	RK73GB2A162J	MG RESISTOR	1.6kΩ 1/10W J	1	
	R708	RK73GB2A473J	MG RESISTOR	47kΩ 1/10W J	1	
	R709	RK73GB2A332J	MG RESISTOR	3.3kΩ 1/10W J	1	
	R711	RK73GB2A222J	MG RESISTOR	2.2kΩ 1/10W J	1	
	R712	RK73GB2A102J	MG RESISTOR	1kΩ 1/10W J	1	
	R713	RK73GB2A222J	MG RESISTOR	2.2kΩ 1/10W J	1	
	R714	RK73GB2A102J	MG RESISTOR	1kΩ 1/10W J	1	
	R715	RK73GB2A222J	MG RESISTOR	2.2kΩ 1/10W J	1	
	R716	RK73GB2A222J	MG RESISTOR	2.2kΩ 1/10W J	1	
	R717	RK73GB2A104J	MG RESISTOR	100kΩ 1/10W J	1	
	R719	RK73GB2A911J	MG RESISTOR	910Ω 1/10W J	1	
	R720	RK73GB2A473J	MG RESISTOR	47kΩ 1/10W J	1	
	R721	RK73GB2A473J	MG RESISTOR	47kΩ 1/10W J	1	
	R724	RK73GB2A105J	MG RESISTOR	1MΩ 1/10W J	1	
	R725	RK73GB2A102J	MG RESISTOR	1kΩ 1/10W J	1	
	R726	RK73GB2A220J	MG RESISTOR	22Ω 1/10W J	1	
	R727	RK73GB2A153J	MG RESISTOR	15kΩ 1/10W J	1	
	R728	RK73GB2A220J	MG RESISTOR	22Ω 1/10W J	1	
	R729	RK73GB2A153J	MG RESISTOR	15kΩ 1/10W J	1	
	R730	RK73GB2A473J	MG RESISTOR	47kΩ 1/10W J	1	
	R731	RK73GB2A473J	MG RESISTOR	47kΩ 1/10W J	1	
	R732	RK73GB2A223J	MG RESISTOR	22kΩ 1/10W J	1	
	R733	RK73GB2A273J	MG RESISTOR	27kΩ 1/10W J	1	
	R735	RK73GB2A473J	MG RESISTOR	47kΩ 1/10W J	1	
	R739	RK73GB2A473J	MG RESISTOR	47kΩ 1/10W J	1	
	R740	RK73GB2A473J	MG RESISTOR	47kΩ 1/10W J	1	
	R741	RK73GB2A473J	MG RESISTOR	47kΩ 1/10W J	1	
	R742	RK73GB2A473J	MG RESISTOR	47kΩ 1/10W J	1	
	R743	RK73GB2A473J	MG RESISTOR	47kΩ 1/10W J	1	
	R744	RK73GB2A473J	MG RESISTOR	47kΩ 1/10W J	1	
	R745	RK73GB2A222J	MG RESISTOR	2.2kΩ 1/10W J	1	
	R746	RK73GB2A472J	MG RESISTOR	4.7kΩ 1/10W J	1	
	R747	RK73GB2A472J	MG RESISTOR	4.7kΩ 1/10W J	1	
	R748	RK73GB2A473J	MG RESISTOR	47kΩ 1/10W J	1	
	R749	RK73GB2A473J	MG RESISTOR	47kΩ 1/10W J	1	
	R750	RK73GB2A121J	MG RESISTOR	120Ω 1/10W J	1	
	R751	RK73GB2A473J	MG RESISTOR	47kΩ 1/10W J	1	
	R752	RK73GB2A121J	MG RESISTOR	120Ω 1/10W J	1	
	R753	RK73EB2E910J	MG RESISTOR	91Ω 1/4W J	1	
	R754	RK73GB2A121J	MG RESISTOR	120Ω 1/10W J	1	
	R755	RK73GB2A100J	MG RESISTOR	10Ω 1/10W J	1	
	R756	RK73GB2A473J	MG RESISTOR	47kΩ 1/10W J	1	
	R757	RK73GB2A473J	MG RESISTOR	47kΩ 1/10W J	1	
	R758	RK73GB2A473J	MG RESISTOR	47kΩ 1/10W J	1	

MODEL	MARK
DPX791BH	

Safe	Symbol No.	Parts No.	Parts Name	Description	QTY	Local
R759		RK73EB2E471J	MG RESISTOR	470Ω 1/4W J	1	
R760		RK73GB2A473J	MG RESISTOR	47kΩ 1/10W J	1	
R761		RK73GB2A473J	MG RESISTOR	47kΩ 1/10W J	1	
R762		RK73GB2A473J	MG RESISTOR	47kΩ 1/10W J	1	
R763		RK73GB2A472J	MG RESISTOR	4.7kΩ 1/10W J	1	
R764		RK73GB2A472J	MG RESISTOR	4.7kΩ 1/10W J	1	
R768		RK73GB2A101J	MG RESISTOR	100Ω 1/10W J	1	
R769		RK73GB2A473J	MG RESISTOR	47kΩ 1/10W J	1	
R820		RK73GB2A473J	MG RESISTOR	47kΩ 1/10W J	1	
R821		RK73GB2A473J	MG RESISTOR	47kΩ 1/10W J	1	
R822		RK73GB2A473J	MG RESISTOR	47kΩ 1/10W J	1	
R840		RK73GB2A271J	MG RESISTOR	270Ω 1/10W J	1	
R841		RK73GB2A271J	MG RESISTOR	270Ω 1/10W J	1	
R861		RK73GB2A200J	MG RESISTOR	20Ω 1/10W J	1	
R863		RK73GB2A393J	MG RESISTOR	39kΩ 1/10W J	1	
R865		RK73GH2A683D	MG RESISTOR	68kΩ 1/10W D	1	
R866		RK73GH2A183D	MG RESISTOR	18kΩ 1/10W D	1	
R867		RK73GH2A393D	MG RESISTOR	39kΩ 1/10W D	1	
R868		RK73GB2A000J	MG RESISTOR	0Ω 1/10W J	1	
R890		RK73GH2A203D	MG RESISTOR	20kΩ 1/10W D	1	
R892		RK73GB2A222J	MG RESISTOR	2.2kΩ 1/10W J	1	
R901		RK73GB2A100J	MG RESISTOR	10Ω 1/10W J	1	
R902		RK73GB2A100J	MG RESISTOR	10Ω 1/10W J	1	
R903		RK73GB2A101J	MG RESISTOR	100Ω 1/10W J	1	
R904		RK73EB2E682J	MG RESISTOR	6.8kΩ 1/4W J	1	
R905		RK73EB2E682J	MG RESISTOR	6.8kΩ 1/4W J	1	
R906		RK73EB2E473J	MG RESISTOR	47kΩ 1/4W J	1	
R907		RK73EB2E473J	MG RESISTOR	47kΩ 1/4W J	1	
R933		RK73GB2A000J	MG RESISTOR	0Ω 1/10W J	1	
R940		RK73EB2E1R0J	MG RESISTOR	1Ω 1/4W J	1	
R960		RK73GB2A103J	MG RESISTOR	10kΩ 1/10W J	1	
R961		RK73GB2A151J	MG RESISTOR	150Ω 1/10W J	1	
R962		RK73GB2A000J	MG RESISTOR	0Ω 1/10W J	1	
R1003		RK73GB2A473J	MG RESISTOR	47kΩ 1/10W J	1	
R1034		RK73GB2A102J	MG RESISTOR	1kΩ 1/10W J	1	
R1035		RK73GB2A000J	MG RESISTOR	0Ω 1/10W J	1	
R1036		RK73EB2E431J	MG RESISTOR	430Ω 1/4W J	1	
R1037		RK73EB2E431J	MG RESISTOR	430Ω 1/4W J	1	
R1038		RK73EB2E431J	MG RESISTOR	430Ω 1/4W J	1	
R1039		RK73EB2E431J	MG RESISTOR	430Ω 1/4W J	1	
R1040		RK73GB2A513J	MG RESISTOR	51kΩ 1/10W J	1	
R1041		RK73EB2E361J	MG RESISTOR	360Ω 1/4W J	1	
R1042		RK73EB2E361J	MG RESISTOR	360Ω 1/4W J	1	
R1043		RK73GB2A101J	MG RESISTOR	100Ω 1/10W J	1	
R1044		RK73EB2E000J	MG RESISTOR	0Ω 1/4W J	1	
R1045		RK73GB2A101J	MG RESISTOR	100Ω 1/10W J	1	
R1051		RK73GH2A100D	MG RESISTOR	10Ω 1/10W D	1	
R1053		RK73GB2A100J	MG RESISTOR	10Ω 1/10W J	1	
R1055		RK73GB2A100J	MG RESISTOR	10Ω 1/10W J	1	
R1057		RK73GB2A100J	MG RESISTOR	10Ω 1/10W J	1	
R1062		RK73GB2A000J	MG RESISTOR	0Ω 1/10W J	1	
R1063		RK73GB2A000J	MG RESISTOR	0Ω 1/10W J	1	
R1064		RK73GB2A100J	MG RESISTOR	10Ω 1/10W J	1	
R1065		RK73GB2A100J	MG RESISTOR	10Ω 1/10W J	1	
R1066		RK73GB2A100J	MG RESISTOR	10Ω 1/10W J	1	
R1068		RK73GB2A000J	MG RESISTOR	0Ω 1/10W J	1	
R1069		RK73GB2A000J	MG RESISTOR	0Ω 1/10W J	1	
R1070		RK73GB2A102J	MG RESISTOR	1kΩ 1/10W J	1	
R1073		RK73GB2A000J	MG RESISTOR	0Ω 1/10W J	1	
R1075		RK73GB2A100J	MG RESISTOR	10Ω 1/10W J	1	
R1077		RK73EB2E000J	MG RESISTOR	0Ω 1/4W J	1	
R1078		RK73EB2E000J	MG RESISTOR	0Ω 1/4W J	1	
R1080		RK73GB2A000J	MG RESISTOR	0Ω 1/10W J	1	
R1081		RK73GB2A000J	MG RESISTOR	0Ω 1/10W J	1	
R1087		RK73GB2A102J	MG RESISTOR	1kΩ 1/10W J	1	
R1088		RK73GB2A000J	MG RESISTOR	0Ω 1/10W J	1	
R1227		RK73GB2A473J	MG RESISTOR	47kΩ 1/10W J	1	
R1229		RK73GB2A000J	MG RESISTOR	0Ω 1/10W J	1	
R1230		RK73GB2A162J	MG RESISTOR	1.6kΩ 1/10W J	1	
R1231		RK73GB2A000J	MG RESISTOR	0Ω 1/10W J	1	
R1236		RK73GB2A910J	MG RESISTOR	91Ω 1/10W J	1	
R1237		RK73GB2A910J	MG RESISTOR	91Ω 1/10W J	1	
R1238		RK73GB2A910J	MG RESISTOR	91Ω 1/10W J	1	
R1239		RK73GB2A910J	MG RESISTOR	91Ω 1/10W J	1	
R1241		RK73GB2A100J	MG RESISTOR	10Ω 1/10W J	1	
R1243		RK73GH2A100D	MG RESISTOR	10Ω 1/10W D	1	
R1245		RK73GB2A000J	MG RESISTOR	0Ω 1/10W J	1	
R1246		RK73GB2A000J	MG RESISTOR	0Ω 1/10W J	1	
R1247		RK73GB2A000J	MG RESISTOR	0Ω 1/10W J	1	
R1700		RK73GB2A101J	MG RESISTOR	100Ω 1/10W J	1	
R1701		RK73GB2A101J	MG RESISTOR	100Ω 1/10W J	1	
R1820		RK73EB2E000J	MG RESISTOR	0Ω 1/4W J	1	
RA471		RK74GB1J100J	NET RESISTOR	10Ω 1/16W J	1	
RA540		RK74GB1J471J	NET RESISTOR	470Ω 1/16W J	1	
RA701		RK74GB1J221J	NET RESISTOR	220Ω 1/16W J	1	
L220		LR73Z0AD470M	CHIP INDUCTOR	47uH	1	
L221		LB73G0BA-005	CHIP FERRITE		1	
L222		LB73G0BA-005	CHIP FERRITE		1	
L223		LR73Z0AD4R7M	CHIP INDUCTOR	4.7uH	1	
L540		NQR0713-001X	FERRITE BEADS		1	
L574		NQR0713-001X	FERRITE BEADS		1	
L600		LB73G0AM-004	CHIP FERRITE		1	

MODEL	MARK
DPX791BH	

Safe	Symbol No.	Parts No.	Parts Name	Description	QTY	Local
	L601	LR73Z0AD4R7M	CHIP INDUCTOR	4.7uH	1	
	L602	LB73G0BA-005	CHIP FERRITE		1	
	L700	NQR0713-001X	FERRITE BEADS		1	
	L701	NQR0714-001X	FERRITE BEADS		1	
	L703	LB73G0BA-005	CHIP FERRITE		1	
	L704	LB73G0BA-005	CHIP FERRITE		1	
	L705	LB73G0BA-005	CHIP FERRITE		1	
	L709	NQR0713-001X	FERRITE BEADS		1	
	L710	NQR0713-001X	FERRITE BEADS		1	
	L711	NQR0713-001X	FERRITE BEADS		1	
	L777	NQR0713-001X	FERRITE BEADS		1	
	L778	NQR0713-001X	FERRITE BEADS		1	
	L820	NQR0713-001X	FERRITE BEADS		1	
	L821	NQR0713-001X	FERRITE BEADS		1	
	L822	NQR0713-001X	FERRITE BEADS		1	
	L823	NQR0713-001X	FERRITE BEADS		1	
	L824	NQR0713-001X	FERRITE BEADS		1	
	L825	LB73G0CA-002	CHIP FERRITE		1	
	L826	NQR0269-030X	FERRITE BEADS		1	
	L827	NQR0714-001X	FERRITE BEADS		1	
	L850	LR73Z0AD4R7M	CHIP INDUCTOR	4.7uH	1	
	L860	NQLL6EM-100X	INDUCTOR	10uH M	1	
	L861	NQLH65M-4R7X	INDUCTOR	4.7uH M	1	
	L960	LB73G0AM-004	CHIP FERRITE		1	
	L990	QQR1927-001	CHOKE COIL		1	
	L1000	NQR0713-001X	FERRITE BEADS		1	
	L1005	NQR0713-001X	FERRITE BEADS		1	
	L1006	NQR0713-001X	FERRITE BEADS		1	
	L1007	NQR0713-001X	FERRITE BEADS		1	
	CN220	QGA2001C1-02	W TO B CONNE	W-B (1-2)	1	
	CN221	QGF1040C1-11	FFC/FPC CONNE	FFC/FPC (1-11)	1	
	CN502	QGF1040C1-24	FFC/FPC CONNE	FFC/FPC (1-24)	1	
	CN701	QGB1004K2-20W	B TO B CONNE	B-B (1-20)	1	
	CN990	QNZ0607-001	CAR CONNECTOR		1	
	J321	QNN0866-001	PIN JACK		1	
	J470	QNZ0907-001	CIR CONNECTOR		1	
	J601	QNB0356-001	ANT TERMINAL		1	
	X540	NAX1224-001X	CRYSTAL		1	
	X701	NAX1243-001X	CRYSTAL		1	
	SWITCH PWB ASSY (XJ6-0420-10) <03>					
	IC1	BU97530KV-M-X	IC		1	
	IC90	SIR8630B6T	IR DETECT UNIT		1	
	Q1	LSCR523UBFS8	TRANSISTOR		1	
	Q51	LSCR523UBFS8	TRANSISTOR		1	
	Q52	LSCR523UBFS8	TRANSISTOR		1	
	Q53	LSCR523UBFS8	TRANSISTOR		1	
	D1	DZ2J056M	ZENER DIODE		1	
	D2	MBRX130	SCHOTTKY DIODE		1	
	D20	SML-D12V8WT	LED		1	
	D21	LRTBGFTG/Z1Z1X	LED		1	
	D22	LRTBGFTG/Z1Z1X	LED		1	
	D23	LRTBGFTG/Z1Z1X	LED		1	
	D24	LRTBGFTG/Z1Z1X	LED		1	
	D25	LRTBGFTG/Z1Z1X	LED		1	
	D26	LRTBGFTG/Z1Z1X	LED		1	
	D27	LRTBGFTG/Z1Z1X	LED		1	
	D28	LRTBGFTG/Z1Z1X	LED		1	
	D29	LRTBGFTG/Z1Z1X	LED		1	
	D40	NESM026DT-W	LED		1	
	D80	DZ2J051M	ZENER DIODE		1	
	D81	DZ2J051M	ZENER DIODE		1	
	C1	CK73GBB1H471K	C CAPACITOR	470pF 50V K	1	
	C5	CK73GXR1C105K	C CAPACITOR	1uF 16V K	1	
	C6	CK73EXR1C106K	C CAPACITOR	10uF 16V K	1	
	C9	CK73GXR1C105K	C CAPACITOR	1uF 16V K	1	
	C60	CK73GBB1H102K	C CAPACITOR	1000pF 50V K	1	
	C61	CK73GBB1H102K	C CAPACITOR	1000pF 50V K	1	
	C80	CC73GCH1H270J	C CAPACITOR	27pF 50V J	1	
	C81	CC73GCH1H270J	C CAPACITOR	27pF 50V J	1	
	C82	CK73EXR1C106K	C CAPACITOR	10uF 16V K	1	
	C83	CK73GBB1H471K	C CAPACITOR	470pF 50V K	1	
	C84	CK73GBB1H472K	C CAPACITOR	470pF 50V K	1	
	C85	CK73GBB1H471K	C CAPACITOR	470pF 50V K	1	
	C86	CK73GBB1H472K	C CAPACITOR	470pF 50V K	1	
	C90	CK73GXR1A105K	C CAPACITOR	1uF 10V K	1	
	R1	RK73GB2A101J	MG RESISTOR	100Ω 1/10W J	1	
	R2	RK73GB2A000J	MG RESISTOR	0Ω 1/10W J	1	
	R3	RK73GB2A101J	MG RESISTOR	100Ω 1/10W J	1	
	R4	RK73GB2A101J	MG RESISTOR	100Ω 1/10W J	1	
	R5	RK73FB2B331J	MG RESISTOR	330Ω 1/8W J	1	
	R6	RK73GB2A102J	MG RESISTOR	1kΩ 1/10W J	1	
	R7	RK73EB2E000J	MG RESISTOR	0Ω 1/4W J	1	
	R18	RK73GB2A101J	MG RESISTOR	100Ω 1/10W J	1	
	R22	RK73GB2A471J	MG RESISTOR	470Ω 1/10W J	1	
	R23	RK73GB2A471J	MG RESISTOR	470Ω 1/10W J	1	
	R24	RK73GB2A751J	MG RESISTOR	750Ω 1/10W J	1	
	R25	RK73GB2A471J	MG RESISTOR	470Ω 1/10W J	1	
	R27	RK73GB2A471J	MG RESISTOR	470Ω 1/10W J	1	
	R28	RK73GB2A751J	MG RESISTOR	750Ω 1/10W J	1	
	R30	RK73EB2E471J	MG RESISTOR	470Ω 1/4W J	1	
	R31	RK73GB2A471J	MG RESISTOR	470Ω 1/10W J	1	
	R32	RK73GB2A751J	MG RESISTOR	750Ω 1/10W J	1	
	R34	RK73GB2A471J	MG RESISTOR	470Ω 1/10W J	1	
	R35	RK73GB2A471J	MG RESISTOR	470Ω 1/10W J	1	

MODEL	MARK
DPX791BH	

Safe	Symbol No.	Parts No.	Parts Name	Description	QTY	Local
R36		RK73EB2E751J	MG RESISTOR	750Ω 1/4W J	1	
R38		RK73EB2E821J	MG RESISTOR	820Ω 1/4W J	1	
R39		RK73FB2B821J	MG RESISTOR	820Ω 1/8W J	1	
R40		RK73FB2B102J	MG RESISTOR	1kΩ 1/8W J	1	
R45		RK73FB2B122J	MG RESISTOR	1.2kΩ 1/8W J	1	
R46		RK73FB2B821J	MG RESISTOR	820Ω 1/8W J	1	
R47		RK73FB2B122J	MG RESISTOR	1.2kΩ 1/8W J	1	
R48		RK73FB2B122J	MG RESISTOR	1.2kΩ 1/8W J	1	
R49		RK73FB2B122J	MG RESISTOR	1.2kΩ 1/8W J	1	
R51		RK73GB2A472J	MG RESISTOR	4.7kΩ 1/10W J	1	
R52		RK73GB2A472J	MG RESISTOR	4.7kΩ 1/10W J	1	
R53		RK73GB2A472J	MG RESISTOR	4.7kΩ 1/10W J	1	
R60		RK73FB2B101J	MG RESISTOR	100Ω 1/8W J	1	
R61		RK73FB2B101J	MG RESISTOR	100Ω 1/8W J	1	
R62		RK73FB2B4R7J	MG RESISTOR	4.7Ω 1/8W J	1	
R70		RK73GB2A222J	MG RESISTOR	2.2kΩ 1/10W J	1	
R80		RK73EB2E221J	MG RESISTOR	220Ω 1/4W J	1	
R1006		RK73EB2E000J	MG RESISTOR	0Ω 1/4W J	1	
R1007		RK73GB2A000J	MG RESISTOR	0Ω 1/10W J	1	
R1009		RK73EB2E000J	MG RESISTOR	0Ω 1/4W J	1	
RA1		RK74GB1J101J	NET RESISTOR	100Ω 1/16W J	1	
RA2		RK74GB1J101J	NET RESISTOR	100Ω 1/16W J	1	
RA3		RK74GB1J101J	NET RESISTOR	100Ω 1/16W J	1	
CN1		QGB1004J2-20X	B TO B CONNE	B-B (1-20)	1	
FL80		NQR0704-001X	CHOKE COIL		1	
J60		QNS0320-001	3.5 JACK		1	
J80		E5J-0069-00	USB TERMINAL		1	
S1		NSW0246-001X	TACT SWITCH		1	
S2		NSW0246-001X	TACT SWITCH		1	
S3		NSW0246-001X	TACT SWITCH		1	
S4		NSW0246-001X	TACT SWITCH		1	
S5		NSW0246-001X	TACT SWITCH		1	
S6		NSW0246-001X	TACT SWITCH		1	
S7		NSW0246-001X	TACT SWITCH		1	
S8		NSW0246-001X	TACT SWITCH		1	
S9		NSW0246-001X	TACT SWITCH		1	
S10		NSW0246-001X	TACT SWITCH		1	
S11		NSW0246-001X	TACT SWITCH		1	
S12		NSW0246-001X	TACT SWITCH		1	
S13		NSW0246-001X	TACT SWITCH		1	
S14		NSW0246-001X	TACT SWITCH		1	
S15		NSW0246-001X	TACT SWITCH		1	
S16		NSW0246-001X	TACT SWITCH		1	
S17		NSW0246-001X	TACT SWITCH		1	
S18		NSW0246-001X	TACT SWITCH		1	
S20		T9K-0007-00	ROTARY ENCODER		1	
HD TUNER PWB ASSY (XJM-0120-11) <02>						
IC1		SI4763-A42-GM	MOS IC		1	
IC2		SI4613-A10-GM	MOS IC		1	
IC3		W3F-0022-00	ROM IC		1	
IC4		XC6213B182N-G	MOS IC		1	
C2		CC73HCH1H101J	C CAPACITOR	100pF 50V J	1	
C3		CK73HBB1H222K	C CAPACITOR	2200pF 50V K	1	
C4		CK73HBB1H222K	C CAPACITOR	2200pF 50V K	1	
C5		CK73HBB1H222K	C CAPACITOR	2200pF 50V K	1	
C6		CK73FXR1C106K	C CAPACITOR	10uF 16V K	1	
C7		CK73GBB1H222K	C CAPACITOR	2200pF 50V K	1	
C8		CK73GBB1H102K	C CAPACITOR	1000pF 50V K	1	
C9		CC73GCH1H390J	C CAPACITOR	39pF 50V J	1	
C10		CC73GCH1H270J	C CAPACITOR	27pF 50V J	1	
△ C15		CC73GCH1H010C	C CAPACITOR	1pF 50V C	1	
C16		CC73GCH1H050C	C CAPACITOR	5pF 50V C	1	
C18		CK73GBB1C104K	C CAPACITOR	0.1uF 16V K	1	
C19		CK73GBB1H103K	C CAPACITOR	0.01uF 50V K	1	
C20		CK73FXR1C106K	C CAPACITOR	10uF 16V K	1	
C21		CK73GBB1C104K	C CAPACITOR	0.1uF 16V K	1	
C22		CK73GBB1H102K	C CAPACITOR	1000pF 50V K	1	
C25		CK73GBB1H682K	C CAPACITOR	6800pF 50V K	1	
C26		CK73GBB1H682K	C CAPACITOR	6800pF 50V K	1	
C27		CK73GXR1C105K	C CAPACITOR	1uF 16V K	1	
C28		CK73GXR1C105K	C CAPACITOR	1uF 16V K	1	
C29		CC73HCH1H060D	C CAPACITOR	6pF 50V D	1	
C30		CC73HCH1H060D	C CAPACITOR	6pF 50V D	1	
C32		CK73GXR1C105K	C CAPACITOR	1uF 16V K	1	
C33		CK73GXR1C105K	C CAPACITOR	1uF 16V K	1	
C40		CC73GCH1H020C	C CAPACITOR	2pF 50V C	1	
C101		CC73GCH1H220J	C CAPACITOR	22pF 50V J	1	
C102		CC73GCH1H220J	C CAPACITOR	22pF 50V J	1	
C103		CC73GCH1H220J	C CAPACITOR	22pF 50V J	1	
C120		CC73GCH1H020C	C CAPACITOR	2pF 50V C	1	
C121		CK73HBB1C104K	C CAPACITOR	0.1uF 16V K	1	
C122		CK73GBB1H102K	C CAPACITOR	1000pF 50V K	1	
C123		CC73HCH1H180J	C CAPACITOR	18pF 50V J	1	
C124		CC73HCH1H180J	C CAPACITOR	18pF 50V J	1	
C125		CC73HCH1H180J	C CAPACITOR	18pF 50V J	1	
C127		CK73GBB1C104K	C CAPACITOR	0.1uF 16V K	1	
C128		CC73GCH1H020C	C CAPACITOR	2pF 50V C	1	
C129		CK73HBB1H222K	C CAPACITOR	2200pF 50V K	1	
C131		CC73HCH1H180J	C CAPACITOR	18pF 50V J	1	
C143		CK73HBB1H222K	C CAPACITOR	2200pF 50V K	1	
C144		CK73HBB1H222K	C CAPACITOR	2200pF 50V K	1	
C146		CK73HBB1H222K	C CAPACITOR	2200pF 50V K	1	

MODEL	MARK
DPX791BH	

Safe	Symbol No.	Parts No.	Parts Name	Description	QTY	Local
R1		RK73GB2A000J	MG RESISTOR	0Ω 1/10W J	1	
R3		RK73GB2A240J	MG RESISTOR	24Ω 1/10W J	1	
R4		RK73GB2A474J	MG RESISTOR	470kΩ 1/10W J	1	
R5		RK73GB2A474J	MG RESISTOR	470kΩ 1/10W J	1	
R10		RK73HB1J222J	MG RESISTOR	2.2kΩ 1/16W J	1	
R11		RK73HB1J222J	MG RESISTOR	2.2kΩ 1/16W J	1	
R12		RK73HB1J103J	MG RESISTOR	10kΩ 1/16W J	1	
R14		RK73GB2A471J	MG RESISTOR	470Ω 1/10W J	1	
R16		RK73HB1J470J	MG RESISTOR	47Ω 1/16W J	1	
R17		RK73HB1J470J	MG RESISTOR	47Ω 1/16W J	1	
R18		RK73HB1J470J	MG RESISTOR	47Ω 1/16W J	1	
R20		RK73GB2A000J	MG RESISTOR	0Ω 1/10W J	1	
R26		RK73HB1J000J	MG RESISTOR	0Ω 1/16W J	1	
R29		RK73GB2A000J	MG RESISTOR	0Ω 1/10W J	1	
R30		RK73GB2A000J	MG RESISTOR	0Ω 1/10W J	1	
R31		RK73GB2A000J	MG RESISTOR	0Ω 1/10W J	1	
R39		RK73GB2A102J	MG RESISTOR	1kΩ 1/10W J	1	
R40		RK73GB2A000J	MG RESISTOR	0Ω 1/10W J	1	
R41		RK73GB2A000J	MG RESISTOR	0Ω 1/10W J	1	
R42		RK73GB2A000J	MG RESISTOR	0Ω 1/10W J	1	
R43		RK73GB2A000J	MG RESISTOR	0Ω 1/10W J	1	
R44		RK73GB2A000J	MG RESISTOR	0Ω 1/10W J	1	
R51		RK73HB1J000J	MG RESISTOR	0Ω 1/16W J	1	
R52		RK73HB1J000J	MG RESISTOR	0Ω 1/16W J	1	
R53		RK73HB1J000J	MG RESISTOR	0Ω 1/16W J	1	
R54		RK73HB1J000J	MG RESISTOR	0Ω 1/16W J	1	
R103		RK73GB2A000J	MG RESISTOR	0Ω 1/10W J	1	
R104		RK73GB2A000J	MG RESISTOR	0Ω 1/10W J	1	
R105		RK73GB2A000J	MG RESISTOR	0Ω 1/10W J	1	
R107		RK73HB1J000J	MG RESISTOR	0Ω 1/16W J	1	
R108		RK73HB1J000J	MG RESISTOR	0Ω 1/16W J	1	
R109		RK73GB2A000J	MG RESISTOR	0Ω 1/10W J	1	
R110		RK73GB2A000J	MG RESISTOR	0Ω 1/10W J	1	
R111		RK73GB2A000J	MG RESISTOR	0Ω 1/10W J	1	
R112		RK73GB2A000J	MG RESISTOR	0Ω 1/10W J	1	
R114		RK73HB1J470J	MG RESISTOR	47Ω 1/16W J	1	
R115		RK73GB2A223J	MG RESISTOR	22kΩ 1/10W J	1	
R116		RK73GB2A223J	MG RESISTOR	22kΩ 1/10W J	1	
R121		RK73GB2A470J	MG RESISTOR	47Ω 1/10W J	1	
R122		RK73GB2A470J	MG RESISTOR	47Ω 1/10W J	1	
R123		RK73GB2A470J	MG RESISTOR	47Ω 1/10W J	1	
R124		RK73GB2A470J	MG RESISTOR	47Ω 1/10W J	1	
R127		RK73GB2A470J	MG RESISTOR	47Ω 1/10W J	1	
R129		RK73HB1J470J	MG RESISTOR	47Ω 1/16W J	1	
R140		RK73GB2A000J	MG RESISTOR	0Ω 1/10W J	1	
R141		RK73HB1J103J	MG RESISTOR	10kΩ 1/16W J	1	
R142		RK73HB1J103J	MG RESISTOR	10kΩ 1/16W J	1	
R143		RK73HB1J103J	MG RESISTOR	10kΩ 1/16W J	1	
R144		RK73HB1J103J	MG RESISTOR	10kΩ 1/16W J	1	
R145		RK73GB2A102J	MG RESISTOR	1kΩ 1/10W J	1	
R155		RK73GB2A470J	MG RESISTOR	47Ω 1/10W J	1	
R166		RK73GB2A470J	MG RESISTOR	47Ω 1/10W J	1	
L1		LK73G0BER15K	M.CHIP INDUCTOR		1	
L2		LK73G0BE82NK	M.CHIP INDUCTOR		1	
L3		LK73G0BER12K	M.CHIP INDUCTOR		1	
L4		LK73G0BER82K	M.CHIP INDUCTOR		1	
L5		LK73G0BE1R8K	M.CHIP INDUCTOR		1	
L8		LK73G0BER39K	M.CHIP INDUCTOR		1	
L10		L1K-0001-00	BALUN TRANS		1	
L14		LK73G0BE100K	M.CHIP INDUCTOR		1	
L21		NQR0592-004X	FERRITE BEADS		1	
L22		NQR0592-004X	FERRITE BEADS		1	
L101		NQR0713-001X	FERRITE BEADS		1	
CN1		EA110AD-2017B	W TO B CONNE		1	
CN2		EA110AD-2003B	W TO B CONNE		1	
X1		L7J-0021-00	QUARTZ CRYSTAL		1	
CD MECHA PWB ASSY (LVA20106-01A) <05>						
IC1		BD8266EFV-M-X	IC		1	
C26		CK73FXR1C106K	C CAPACITOR	10uF 16V K	1	
C54		NCB31HK-104X	C CAPACITOR	0.1uF 50V K	1	
C55		CK73FXR1C106K	C CAPACITOR	10uF 16V K	1	
R18		RK73GB2A822J	MG RESISTOR	8.2kΩ 1/10W J	1	
R21		RK73GB2A822J	MG RESISTOR	8.2kΩ 1/10W J	1	
R24		RK73GB2A272J	MG RESISTOR	2.7kΩ 1/10W J	1	
R27		RK73GB2A562J	MG RESISTOR	5.6kΩ 1/10W J	1	
R28		RK73GB2A114J	MG RESISTOR	110kΩ 1/10W J	1	
R29		RK73GB2A101J	MG RESISTOR	100Ω 1/10W J	1	
R30		RK73GB2A101J	MG RESISTOR	100Ω 1/10W J	1	
R36		RK73GB2A000J	MG RESISTOR	0Ω 1/10W J	1	
R37		RK73GB2A000J	MG RESISTOR	0Ω 1/10W J	1	
R38		RK73GB2A000J	MG RESISTOR	0Ω 1/10W J	1	
R40		RK73GB2A000J	MG RESISTOR	0Ω 1/10W J	1	
R42		RK73EB2E000J	MG RESISTOR	0Ω 1/4W J	1	
R47		RK73EB2E000J	MG RESISTOR	0Ω 1/4W J	1	
R48		RK73EB2E000J	MG RESISTOR	0Ω 1/4W J	1	
R50		RK73GB2A131J	MG RESISTOR	130Ω 1/10W J	1	
CN1		QGF1044F2-24X	FFC/FPC CONNE	FFC/FPC (1-24)	1	
CN2		QGF0522F6-15W	FFC/FPC CONNE	FFC/FPC (1-15)	1	
SW1		NSW0291-001X	DETECT SWITCH		1	
SW2		NSW0291-001X	DETECT SWITCH		1	
SW3		NSW0313-001X	DETECT SWITCH		1	

MODEL	MARK
DPX791BH	

Safe	Symbol No.	Parts No.	Parts Name	Description	QTY	Local
CD MECHA PWB ASSY (X32-6680-00) <04>						
	IC1	BD8266EFV-M-X	IC		1	
	C26	CK73FXR1C106K	C CAPACITOR	10uF 16V K	1	
	C54	CK73GB1H104K	C CAPACITOR	0.1uF 50V K	1	
	C55	CK73FXR1C106K	C CAPACITOR	10uF 16V K	1	
	R18	RK73GB2A822J	MG RESISTOR	8.2kΩ 1/10W J	1	
	R21	RK73GB2A822J	MG RESISTOR	8.2kΩ 1/10W J	1	
	R24	RK73GB2A272J	MG RESISTOR	2.7kΩ 1/10W J	1	
	R27	RK73GB2A562J	MG RESISTOR	5.6kΩ 1/10W J	1	
	R28	RK73GB2A114J	MG RESISTOR	110kΩ 1/10W J	1	
	R29	RK73GB2A101J	MG RESISTOR	100Ω 1/10W J	1	
	R30	RK73GB2A101J	MG RESISTOR	100Ω 1/10W J	1	
	R36	RK73GB2A000J	MG RESISTOR	0Ω 1/10W J	1	
	R37	RK73GB2A000J	MG RESISTOR	0Ω 1/10W J	1	
	R38	RK73GB2A000J	MG RESISTOR	0Ω 1/10W J	1	
	R40	RK73GB2A000J	MG RESISTOR	0Ω 1/10W J	1	
	R42	RK73EB2E000J	MG RESISTOR	0Ω 1/4W J	1	
	R47	RK73EB2E000J	MG RESISTOR	0Ω 1/4W J	1	
	R48	RK73EB2E000J	MG RESISTOR	0Ω 1/4W J	1	
	R50	RK73GB2A131J	MG RESISTOR	130Ω 1/10W J	1	
	CN1	QGF1044F2-24X	FFC/FPC CONNE	FFC/FPC (1-24)	1	
	CN2	E41-3488-05	F.C.CONNECTOR		1	
	S1	S6J-0001-00	PUSH SWITCH		1	
	S2	S6J-0001-00	PUSH SWITCH		1	
	S3	S6J-0002-00	PUSH SWITCH		1	