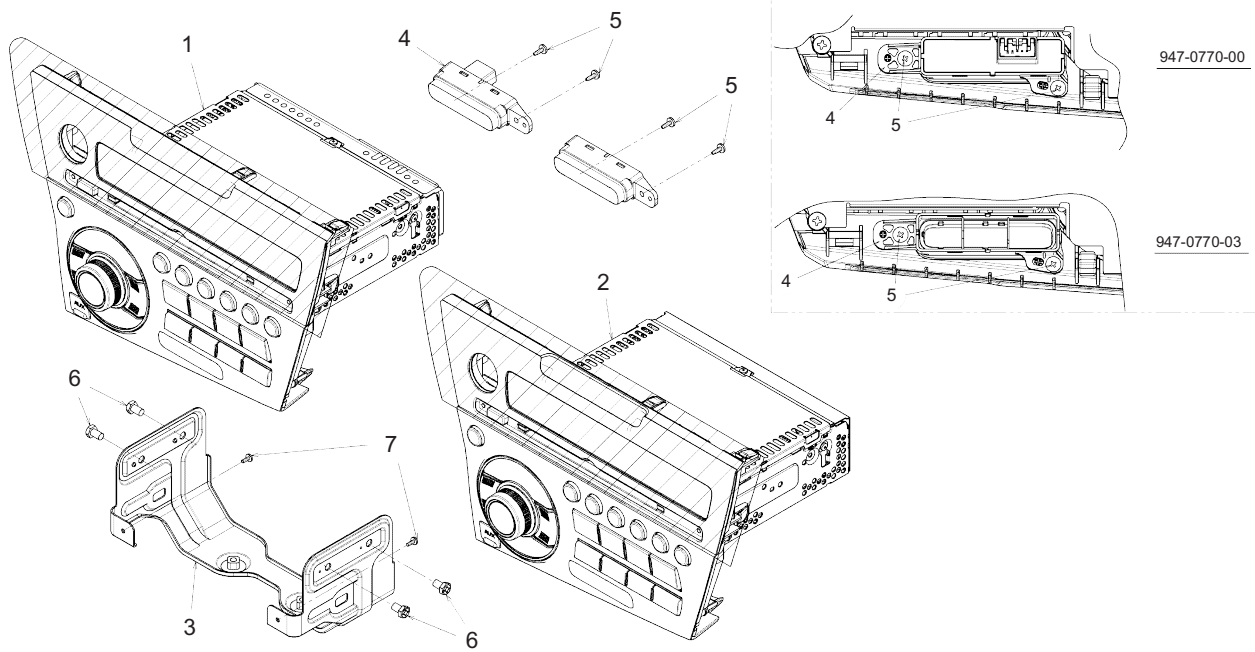


# EXPLODED VIEW / PARTS LIST

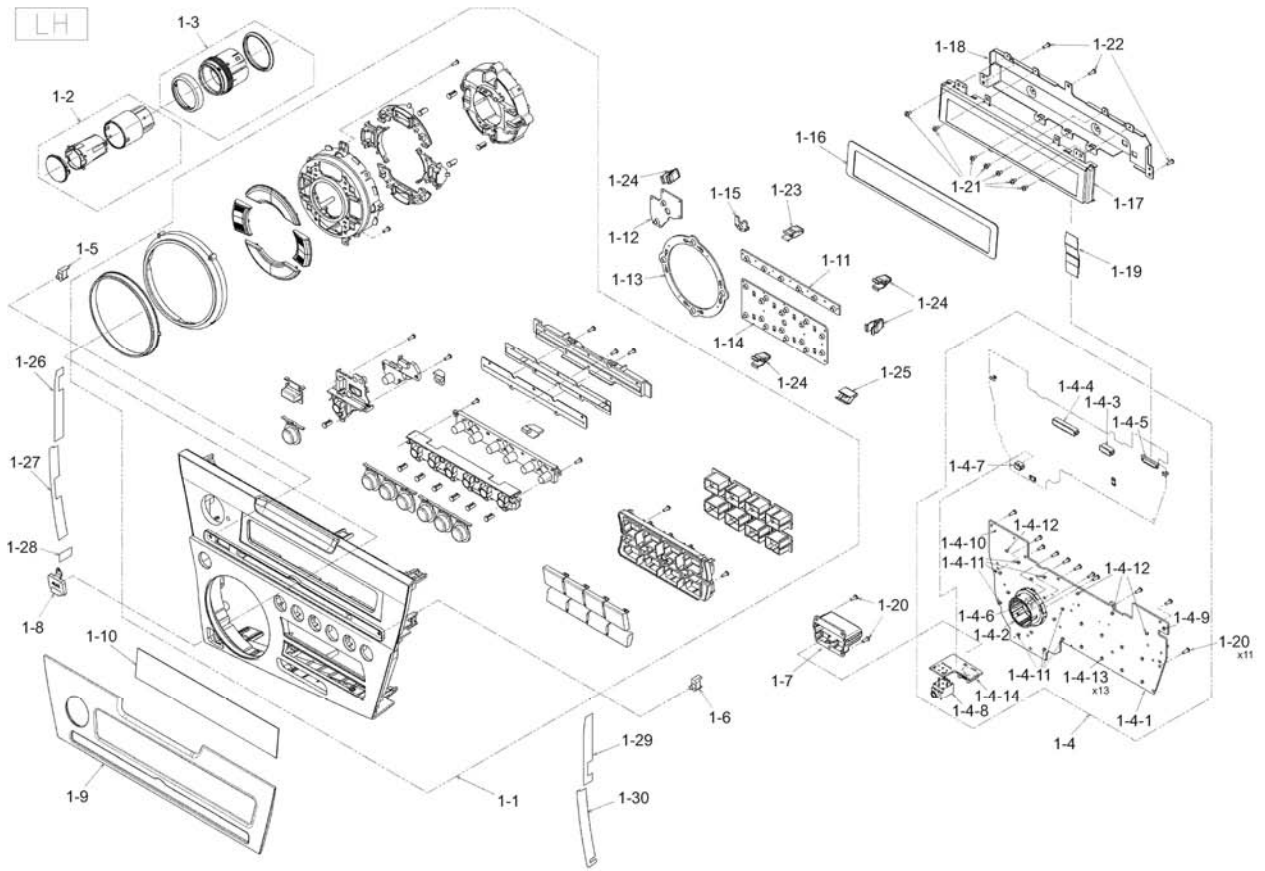
## Main unit section



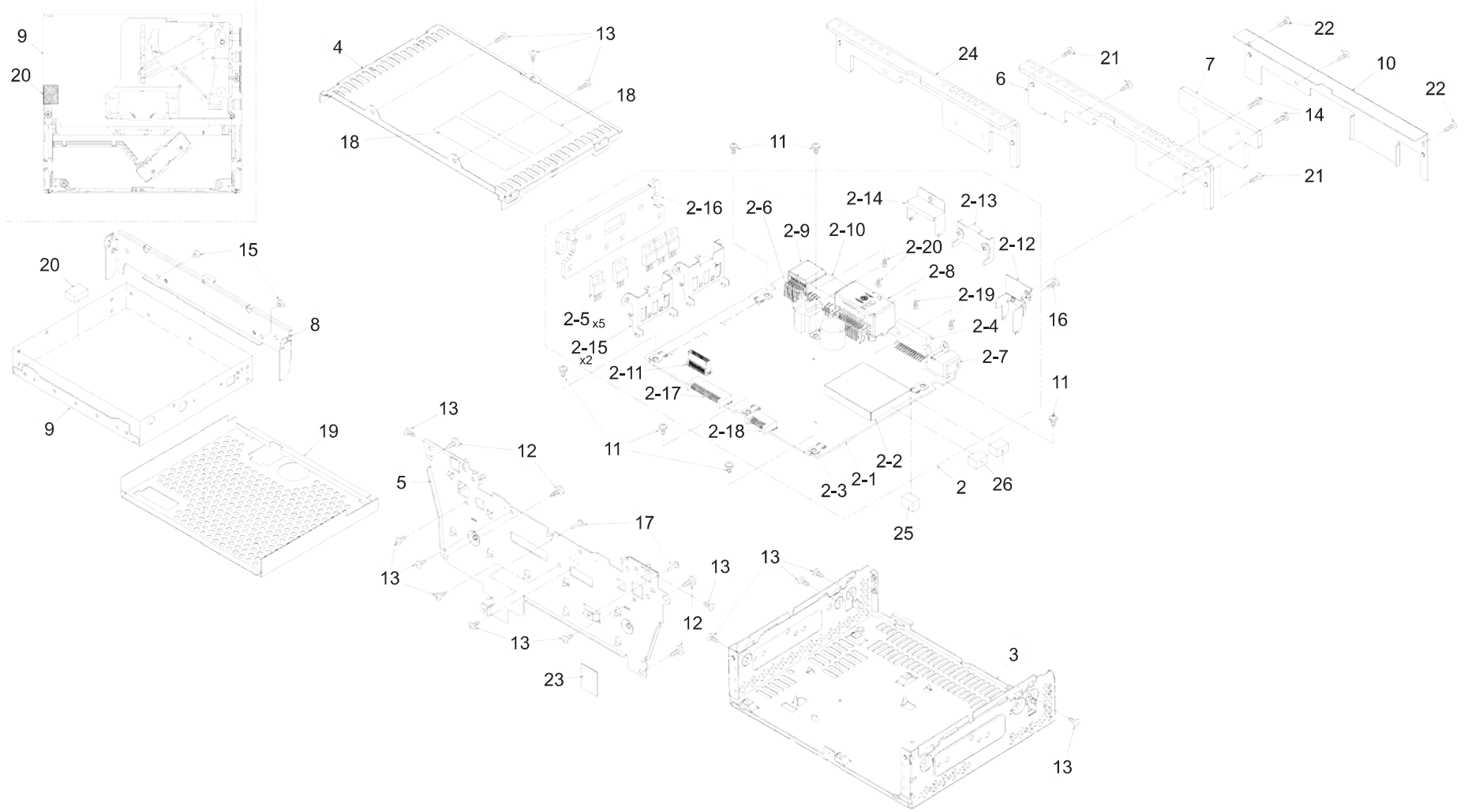
NO.	PART NO.	DESCRIPTION	Q'TY
1	-----	CAR STEREO * PH-3240H-C (UH-1099H-A) * PH-3240H-D (UH-1101H-A)	1
2	-	(CAR STEREO) *N/A	-
3	300-8250-00	MTG-BRKT	1

NO.	PART NO.	DESCRIPTION	Q'TY
4	947-0770-00 947-0770-03	SRS-OFF-INDICATOR(3240HC) SRS-OFF-INDICATOR(3240HD)	1
5	702-3012-7B	TAP SCREW	2
6	782-5008-01	SPECIAL-H-BOLT	4
7	714-2606-8B	MACHINE SCREW(M2.6x6)	2

Escutcheon section



NO.	PART NO.	DESCRIPTION	Q'TY	NO.	PART NO.	DESCRIPTION	Q'TY
1-1	940-8480-02	ESCUTCHEON-ASSY	1	1-9	373-1216-20	CLEAR PANEL	1
1-2	948-0904-00	BUTTON ASSY	1	1-10	347-8771-00	CLEAR-SHEET	1
1-3	948-0905-00	KNOB-ASSY	1	1-11	345-6402-02	RUBBER SWTCH(PRESET)	1
1-4	-----	SW-PWB-ASSY(3240AH-77)	1	1-12	345-6403-02	RUBBER SWTCH(PWR)	1
1-4-1	-----	SW PWB(352801-039)	1	1-13	345-6404-02	RUBBER SWTCH(MULTI)	1
1-4-2	016-7004-00	ROTARY SWITCH	1	1-14	345-6405-01	RUBBER SWTCH(FUNCTION)	1
1-4-3	074-3014-62	SOCKET(12P)	1	1-15	345-6406-01	RUBBER SWTCH(VOL)	1
1-4-4	074-3014-76	SOCKET(26P)	1	1-16	345-6417-00	CUSION SHEET	1
1-4-5	074-2228-26	SOCKET(26P)	1	1-17	379-1442-00	INDICATOR(LCD)	1
1-4-6	076-6000-56	PLUG(6P)	1	1-18	331-4895-00	LCD PLATE	1
1-4-7	074-3014-56	OUTLET SOCKET(6P)	1	1-19	816-3047-55	FLAT WIRE	1
1-4-8	075-0306-00	JACK	1	1-20	716-0778-51	WAVE SCREW(M2x6)	13
1-4-9	001-7063-95	DIODE(RED)	1	1-21	716-1670-01	TAP SCREW(M2x4)	7
1-4-10	001-7103-91	DIODE(GREEN)	1	1-22	716-3615-00	TAP SCREW(M2x8)	3
1-4-11	001-7134-50	DIODE(BLUE)	8	1-23	335-8461-00	CLIP(RED)	1
1-4-12	001-7134-53	DIODE(WHITE)	4	1-24	335-7317-00	CLIP(WHITE)	4
1-4-13	001-7134-54	DIODE(WHITE)	13	1-25	750-6805-00	CLIP(BLACK)	1
1-4-14	076-3011-56	PLUG(6P)	1	1-26	347-8827-00	CUSHION	1
1-5	335-8763-00	INDICATOR (A)	1	1-27	347-8828-00	CUSHION	1
1-6	335-8764-00	INDICATOR (B)	1	1-28	347-8774-00	CUSHION SHEET	1
1-7	335-8775-00	AUX-CVR	1	1-29	347-8829-00	CUSHION	1
1-8	335-8784-00	AUX CAP	1	1-30	347-8830-00	CUSHION SHEET	1



NO.	PART NO.	DESCRIPTION	Q'TY
2	-----	MAIN-PWB-ASSY (3240B7-75) (PH3240HC) (3240C7-75) (PH3240HD)	1
2-1	-----	MAIN PWB(334600-039)	1
2-2	.880-2091G	TUNER PACK	1
2-3	073-0762-90	TERMINAL	6
2-4	051-2042-00	IC(TA8275HQ)	1
2-5	103-2394-00	TRANSISTOR(2SD2394)	5
2-6	009-0670-80	CHOKE	1
2-7	092-2238-00	ANT-RECEPT	1
2-8	074-4026-24	SOCKET(24P)	1
2-9	074-4017-12	OUTLET SOCKET(SUB 12P)	1
2-10	074-1168-14	SOCKET(GA-NET 14P)	1
2-11	076-3028-40	PLUG (40P)	1
2-12	331-4697-01	ANT-HOLDER	1
2-13	331-3459-00	IC HOLDER	1
2-14	331-3769-00	OUTLET HOLDER	1
2-15	331-4066-00	TR HOLDER	2
2-16	313-2017-00	SUB HEAT SINK	1
2-17	076-3011-76	PLUG(26P)	1
2-18	076-3011-62	PLUG(12P)	1
2-19	778-3005-00	TAP SCREW(M3x5)	2
2-20	778-3005-00	TAP SCREW(M3x5)	2
3	311-1943-10	LOWER CASE	1
4	310-1891-00	UPPER CASE	1

NO.	PART NO.	DESCRIPTION	Q'TY
5	331-4894-00	ES PLATE	1
6	-	(HEAT SINK (A)) *N/A	-
7	313-2057-00	HEAT SINK (B)	1
8	331-4695-01	MECH BRKT	1
9	929-5025-80	DIGITAL MECH	1
10	-	(REAR COVER) *N/A	-
11	716-0878-50	MACHINE SCREW(M2.6x5)	6
12	778-4008-01	TAP SCREW(M4x8)	4
13	714-2606-8B	MACHINE SCREW(M2.6x6)	14
14	780-2616-01	MACHINE SCREW(M2.6x16)	2
15	714-2603-8B	MACHINE SCREW(M2.6x3)	2
16	714-2608-89	MACHINE SCREW (M2.6x8)	1
17	716-3615-00	SP SCREW(M2x8)	2
18	276-0866-35 276-0866-36	SETPLATE(PH3240HC) SETPLATE(PH3240HD)	1 1
19	347-8550-10	MECH CVR	1
20	345-6066-01	GASKET	1
21	714-2608-89	MACHINE SCREW(M2.6x8)	3
22	-	(MACHINE SCREW) *N/A	-
23	347-8847-00	SPACER	1
24	313-2056-00	HEAT SINK(A)	1
25	345-6341-00	GASKET	1
26	345-6593-01	GASKET	2

# ELECTRICAL PARTS LIST

: PH-3204H-C,H-D

Main PWB(B1) section

REF No.	PART No.	DESCRIPTION	REF No.	PART No.	DESCRIPTION	REF No.	PART No.	DESCRIPTION
ANT101	092-2238-00	ANT-RECEPT	C242	042-1768-90	16V 10uF	C441	168-1042-78	16V 0.1uF K
BL101	.880-2091G	TUNER PACK	C243	168-1022-55	1000pF K	C442	168-4732-78	0.047uF K
C101	-----	(N/A)	C271	-----	(N/A)	C443	043-0504-50	10V 4.7uF
C102	168-1032-55	0.01uF K	C272	-----	(N/A)	C444	165-2263-15	6.3V 22uF
C103	166-1511-50	150pF CH	C273	-----	(N/A)	C445	168-1042-78	16V 0.1uF K
C104	166-2201-50	22pF CH	C274	-----	(N/A)	C446	168-1042-78	16V 0.1uF K
C105	168-1032-55	0.01uF K	C291	168-2222-55	2200pF K	C447	168-1022-55	1000pF K
C106	166-1011-50	100pF CH	C301	166-1011-50	100pF CH	C448	165-4763-15	6.3V 47uF
C107	043-0319-51	200pF J CH	C302	178-1052-78	25V 1uF	C449	168-2232-55	0.022uF K
C108	-----	(N/A)	C303	-----	(N/A)	C450	165-1063-35	16V 10uF
C109	168-1022-55	1000pF K	C304	168-1032-55	0.01uF K	C451	178-1052-78	25V 1uF
C110	165-1073-35	16V 100uF	C305	168-1022-55	1000pF K	C452	168-1042-78	16V 0.1uF K
C111	168-1022-55	1000pF K	C306	168-1042-78	16V 0.1uF K	C453	168-1042-78	16V 0.1uF K
C112	165-1073-35	16V 100uF	C307	165-4753-55	35V 4.7uF	C454	168-3332-78	0.033uF K
C113	-----	(N/A)	C308	168-1022-55	1000pF K	C455	-----	(N/A)
C114	168-1032-55	0.01uF K	C309	168-1022-55	1000pF K	C456	-----	(N/A)
C115	168-1022-55	1000pF K	C310	168-1042-78	16V 0.1uF K	C457	168-3322-55	3300pF K
C116	-----	(N/A)	C311	042-1737-90	6.3V 1000uF M	C458	168-3322-55	3300pF K
C117	168-1022-55	1000pF K	C312	165-4753-55	35V 4.7uF	C459	178-1052-78	25V 1uF
C118	168-1022-55	1000pF K	C313	042-1737-90	6.3V 1000uF M	C460	168-2222-55	2200pF K
C119	168-1022-55	1000pF K	C314	-----	(N/A)	C461	168-2222-55	2200pF K
C120	168-1022-55	1000pF K	C316	166-8096-50	8pF +/-0.25pF CH	C462	-----	(N/A)
C121	168-1022-55	1000pF K	C317	168-1042-78	16V 0.1uF K	C463	168-1042-78	16V 0.1uF K
C122	-----	(N/A)	C318	-----	(N/A)	C464	168-1042-78	16V 0.1uF K
C123	165-4763-35	16V 47uF	C319	165-1063-35	16V 10uF	C465	168-2232-55	0.022uF K
C124	168-1032-55	0.01uF K	C320	168-1032-55	0.01uF K	C466	-----	(N/A)
C125	165-1063-35	16V 10uF	C323	168-1032-55	0.01uF K	C467	168-2232-55	0.022uF K
C126	168-1042-78	16V 0.1uF K	C371	168-1022-55	1000pF K	C468	168-4712-55	470pF K
C127	165-1073-15	6.3V 100uF	C400	165-2253-65	50V 2.2uF	C469	-----	(N/A)
C128	168-1042-78	16V 0.1uF K	C401	165-2253-65	50V 2.2uF	C470	-----	(N/A)
C129	043-0554-90	25V 10uF	C402	165-2253-65	50V 2.2uF	C471	-----	(N/A)
C130	168-3332-78	0.033uF K	C403	165-2253-65	50V 2.2uF	C472	168-2222-55	2200pF K
C131	165-1073-15	6.3V 100uF	C404	165-2253-65	50V 2.2uF	C473	168-2222-55	2200pF K
C132	168-1042-78	16V 0.1uF K	C405	165-2253-65	50V 2.2uF	C474	165-2263-15	6.3V 22uF
C133	168-1022-55	1000pF K	C406	165-2253-65	50V 2.2uF	C475	168-1022-55	1000pF K
C134	-----	(N/A)	C407	165-2253-65	50V 2.2uF	C476	168-1042-78	16V 0.1uF K
C135	043-0554-90	25V 10uF	C408	165-2253-65	50V 2.2uF	C477	042-1767-90	16V 470uF
C136	-----	(N/A)	C409	165-4753-55	35V 4.7uF	C478	168-1042-78	16V 0.1uF K
C137	168-1042-78	16V 0.1uF K	C410	168-1042-78	16V 0.1uF K	C479	042-2273-25	10V 220uF M
C138	168-1042-78	16V 0.1uF K	C411	166-1811-50	180pF CH	C480	168-1042-78	16V 0.1uF K
C139	042-1767-90	16V 470uF	C412	166-1007-50	10pF CH	C481	168-1022-55	1000pF K
C140	043-0499-51	50V 0.1uF J	C413	166-1007-50	10pF CH	C482	-----	(N/A)
C141	166-1011-50	100pF CH	C414	168-1022-55	1000pF K	C483	-----	(N/A)
C142	168-4742-78	0.47uF K	C415	166-1511-50	150pF CH	C484	-----	(N/A)
C151	-----	(N/A)	C416	166-1511-50	150pF CH	C485	-----	(N/A)
C152	-----	(N/A)	C417	166-1511-50	150pF CH	C486	-----	(N/A)
C153	-----	(N/A)	C418	166-1511-50	150pF CH	C501	-----	(N/A)
C201	178-1022-78	1000pF	C419	166-1511-50	150pF CH	C502	-----	(N/A)
C202	178-1022-78	1000pF	C420	166-1511-50	150pF CH	C503	-----	(N/A)
C203	-----	(N/A)	C421	166-1511-50	150pF CH	C504	-----	(N/A)
C206	168-1032-55	0.01uF K	C422	166-1511-50	150pF CH	C505	165-2263-15	6.3V 22uF
C209	168-1042-78	16V 0.1uF K	C423	165-4753-55	35V 4.7uF	C506	165-2263-15	6.3V 22uF
C213	166-1011-50	100pF CH	C424	168-1042-78	16V 0.1uF K	C507	165-2263-15	6.3V 22uF
C219	168-1042-78	16V 0.1uF K	C425	165-4753-55	35V 4.7uF	C508	165-2263-15	6.3V 22uF
C226	-----	(N/A)	C426	168-1042-78	16V 0.1uF K	C509	165-2253-65	50V 2.2uF
C227	165-1073-15	6.3V 100uF	C427	168-1022-55	1000pF K	C510	165-2253-65	50V 2.2uF
C228	043-0554-90	25V 10uF	C428	168-1022-55	1000pF K	C511	165-2253-65	50V 2.2uF
C229	168-1042-78	16V 0.1uF K	C429	166-1011-50	100pF CH	C512	165-2253-65	50V 2.2uF
C231	165-1073-15	6.3V 100uF	C430	168-1042-78	16V 0.1uF K	C513	166-5611-50	560pF CH
C232	165-4763-15	6.3V 47uF	C431	168-1042-78	16V 0.1uF K	C514	166-5611-50	560pF CH
C233	168-1042-78	16V 0.1uF K	C432	168-1042-78	16V 0.1uF K	C515	166-5611-50	560pF CH
C234	165-4763-15	6.3V 47uF	C433	168-5622-55	5600pF K	C516	166-5611-50	560pF CH
C235	168-1042-78	16V 0.1uF K	C434	168-5622-55	5600pF K	C517	166-5611-50	560pF CH
C236	043-0554-90	25V 10uF	C435	165-4753-55	35V 4.7uF	C518	166-5611-50	560pF CH
C237	043-0554-90	25V 10uF	C436	168-1042-78	16V 0.1uF K	C519	166-1011-50	100pF CH
C238	168-1042-78	16V 0.1uF K	C437	168-2232-55	0.022uF K	C520	166-1011-50	100pF CH
C239	168-1042-78	16V 0.1uF K	C438	165-1073-15	6.3V 100uF	C521	166-2201-50	22pF CH
C240	168-1042-78	16V 0.1uF K	C439	168-1042-78	16V 0.1uF K	C522	166-2201-50	22pF CH
C241	042-1767-90	16V 470uF	C440	043-0554-90	25V 10uF	C523	166-2201-50	22pF CH

UH-1099H-A  
UH-1101H-A

REF No.	PART No.	DESCRIPTION	REF No.	PART No.	DESCRIPTION	REF No.	PART No.	DESCRIPTION
C524	166-2201-50	22pF CH	CCT3000	050-0140-54	1/32W 1k ohm x4J	IC502	051-3019-90	NJM2060V
C525	166-1011-50	100pF CH	CCT3001	050-0140-53	1/32W 0 ohm x4J	IC503	051-3019-90	NJM2060V
C526	166-1011-50	100pF CH	CCT3002	050-0140-53	1/32W 0 ohm x4J	IC504	051-2042-00	TA8275H
C527	166-5611-50	560pF CH	D101	001-2403-90	M1F60	J202	074-1168-14	14P
C528	166-5611-50	560pF CH	D102	001-2403-90	M1F60	J203	074-4017-12	12P
C529	166-5611-50	560pF CH	D103	001-0516-90	MA111	J301	-----	(N/A)
C530	166-5611-50	560pF CH	D104	001-0529-47	MA8091-M	J501	074-4026-24	24P
C531	166-5611-50	560pF CH	D106	001-0516-90	MA111	L101	010-2003-04	30uH
C532	166-5611-50	560pF CH	D107	001-0529-28	MA8051-L	L102	010-4011-20	2.5mH +3/-3%
C533	168-1042-78	16V 0.1uF K	D108	001-0529-47	MA8091-M	L103	010-3104-50	30 ohm/100MHz
C534	165-1073-35	16V 100uF	D109	001-0529-48	MA8091-H	L104	010-3406-66	22uH J
C535	165-2263-15	6.3V 22uF	D110	-----	(N/A)	L106	010-3104-50	30 ohm/100MHz
C536	-----	(N/A)	D111	001-2403-90	M1F60	L203	010-2285-41	BLM21AF121SN1D
C537	-----	(N/A)	D112	001-2403-90	M1F60	L205	010-3104-50	30 ohm/100MHz
C538	168-5612-55	560pF Z	D113	001-2403-90	M1F60	L206	010-3104-50	30 ohm/100MHz
C539	-----	(N/A)	D201	001-0529-69	MA8180-M	L207	010-3105-62	1k ohm/100MHz
C540	-----	(N/A)	D202	001-0529-32	MA8056-M	L211	010-3105-62	1k ohm/100MHz
C541	168-1545-56	0.15uF Z	D203	001-0529-32	MA8056-M	L212	010-3105-62	1k ohm/100MHz
C542	168-1545-56	0.15uF Z	D205	001-0535-90	MA729	L301	010-3105-62	1k ohm/100MHz
C543	168-1545-56	0.15uF Z	D206	-----	(N/A)	L302	010-3406-66	22uH J
C544	168-1545-56	0.15uF Z	D207	-----	(N/A)	L303	010-3406-66	22uH J
C545	165-1063-35	16V 10uF	D209	001-0516-90	MA111	L401	010-3105-62	1k ohm/100MHz
C546	043-0499-51	50V 0.1uF J	D210	001-0516-90	MA111	L402	010-3105-62	1k ohm/100MHz
C547	-----	(N/A)	D213	-----	(N/A)	L403	010-3105-62	1k ohm/100MHz
C548	168-2222-55	2200pF K	D215	-----	(N/A)	L404	010-3105-62	1k ohm/100MHz
C549	168-2222-55	2200pF K	D216	-----	(N/A)	L405	010-3105-62	1k ohm/100MHz
C550	168-2222-55	2200pF K	D217	001-0535-90	MA729	L406	010-3105-62	1k ohm/100MHz
C551	168-2222-55	2200pF K	D218	-----	(N/A)	L407	010-3105-62	1k ohm/100MHz
C552	168-1032-55	0.01uF K	D219	001-0529-45	MA8082-H	L408	010-3105-62	1k ohm/100MHz
C553	172-4741-11	0.47uF	D220	-----	(N/A)	L409	010-3105-62	1k ohm/100MHz
C554	168-2222-55	2200pF K	D221	-----	(N/A)	L410	010-3105-62	1k ohm/100MHz
C555	168-2222-55	2200pF K	D222	-----	(N/A)	L411	010-3105-62	1k ohm/100MHz
C556	165-3353-65	50V 3.3uF	D223	-----	(N/A)	L412	010-3105-62	1k ohm/100MHz
C557	168-2222-55	2200pF K	D224	001-9210-50	AVR-M1608C270MTA	L413	010-3105-62	1k ohm/100MHz
C558	168-2222-55	2200pF K			AD	L414	010-3105-62	1k ohm/100MHz
C559	168-2222-55	2200pF K	D301	001-0516-90	MA111	L415	010-2198-51	0.22uH
C560	168-2222-55	2200pF K	D302	001-0504-42	HZS7 C3L	L416	010-3105-62	1k ohm/100MHz
C561	168-2222-55	2200pF K	D303	001-0529-42	MA8075-H	L2001	010-3406-66	22uH J
C562	168-2222-55	2200pF K	D304	001-0516-90	MA111	L3002	010-3105-62	1k ohm/100MHz
C563	043-0499-51	50V 0.1uF J	D305	001-0529-48	MA8091-H	L5001	010-3105-62	1k ohm/100MHz
C564	189-3383-31	16V 3300uF	D501	001-2403-90	M1F60	P2000	076-3028-40	40P
C1008	-----	(N/A)	D502	001-0592-00	RM4Z	P3000	076-3011-76	26P
C1009	-----	(N/A)	D1003	-----	(N/A)	P3001	076-3011-62	12P
C1010	-----	(N/A)	D2000	001-0529-32	MA8056-M	Q101	192-4081-00	2SC4081
C1301	165-1043-65	50V 0.1uF	D2001	-----	(N/A)	Q102	192-4081-00	2SC4081
C2000	168-1022-55	1000pF K	D2002	001-0516-90	MA111	Q103	125-2027-91	DTC114EUA
C2001	165-1063-35	16V 10uF	D2003	001-0529-57	MA8120-H	Q104	190-1736-00	2SA1736
C2002	168-1042-78	16V 0.1uF K	D2004	-----	(N/A)	Q106	103-2394-00	2SD2394
C2003	168-1042-78	16V 0.1uF K	D2005	-----	(N/A)	Q107	192-5810-00	2SC5810 TE12L
C2004	-----	(N/A)	IC101	051-3354-90	BA33BC0WFP	Q108	192-4081-00	2SC4081
C2005	-----	(N/A)	IC102	051-3218-90	TA76431F	Q109	125-2027-91	DTC114EUA
C2006	-----	(N/A)	IC103	051-3344-90	BD3930FP-E2	Q110	191-1197-50	2SB1197K Q,R
C2007	-----	(N/A)	IC202	051-6648-90	HA12240FP-EL	Q111	192-4081-00	2SC4081
C2008	-----	(N/A)	IC203	051-3408-90	BA2903FV	Q112	103-2394-00	2SD2394
C2009	-----	(N/A)	IC205	051-3364-90	NJU7771F15	Q113	125-2027-90	DTC143EUA
C2010	-----	(N/A)	IC206	051-3364-90	NJU7771F15	Q114	190-1736-00	2SA1736
C2011	-----	(N/A)	IC207	051-3543-90	BD33KA5WFP-E2	Q115	125-2027-91	DTC114EUA
C2012	-----	(N/A)	IC301	051-5423-38	BD5329G-TR	Q116	125-0021-92	DTA124EUA
C2013	-----	(N/A)	IC302	-----	BR93L86REV-W E2 (E2P-ROM)	Q117	192-5810-00	2SC5810 TE12L
C2014	-----	(N/A)			(Software should be written on production)	Q118	192-5810-00	2SC5810 TE12L
C2015	-----	(N/A)			(942390-051)	Q119	125-2027-91	DTC114EUA
C2016	-----	(N/A)			UPD70F3340GC-8EA	Q120	125-0021-91	DTA114EUA
C2017	-----	(N/A)			-A	Q121	103-2394-00	2SD2394
C2028	-----	(N/A)	IC303	-----	(Audio u-com)	Q122	103-2394-00	2SD2394
C2029	-----	(N/A)			(Software should be written on production)	Q123	125-2027-91	DTC114EUA
C2030	-----	(N/A)			(032900-052)	Q124	125-0021-91	DTA114EUA
C2050	-----	(N/A)			L9637D	Q125	125-2027-90	DTC143EUA
C2051	-----	(N/A)	IC304	051-5811-90	SAF7730HV/N317F	Q201	192-5810-00	2SC5810 TE12L
C2053	-----	(N/A)	IC401	-----	(DSP)(Pad)	Q208	-----	(N/A)
C3000	168-1042-78	16V 0.1uF K			(670630-051)	Q209	-----	(N/A)
C3001	168-1042-78	16V 0.1uF K	IC501	051-3057-90	BA4558RFV	Q210	192-4081-00	2SC4081
C4001	165-2253-65	50V 2.2uF				Q211	103-2394-00	2SD2394
C4003	166-1511-50	150pF CH				Q212	125-2027-91	DTC114EUA
C4004	166-1511-50	150pF CH				Q213	125-0021-91	DTA114EUA

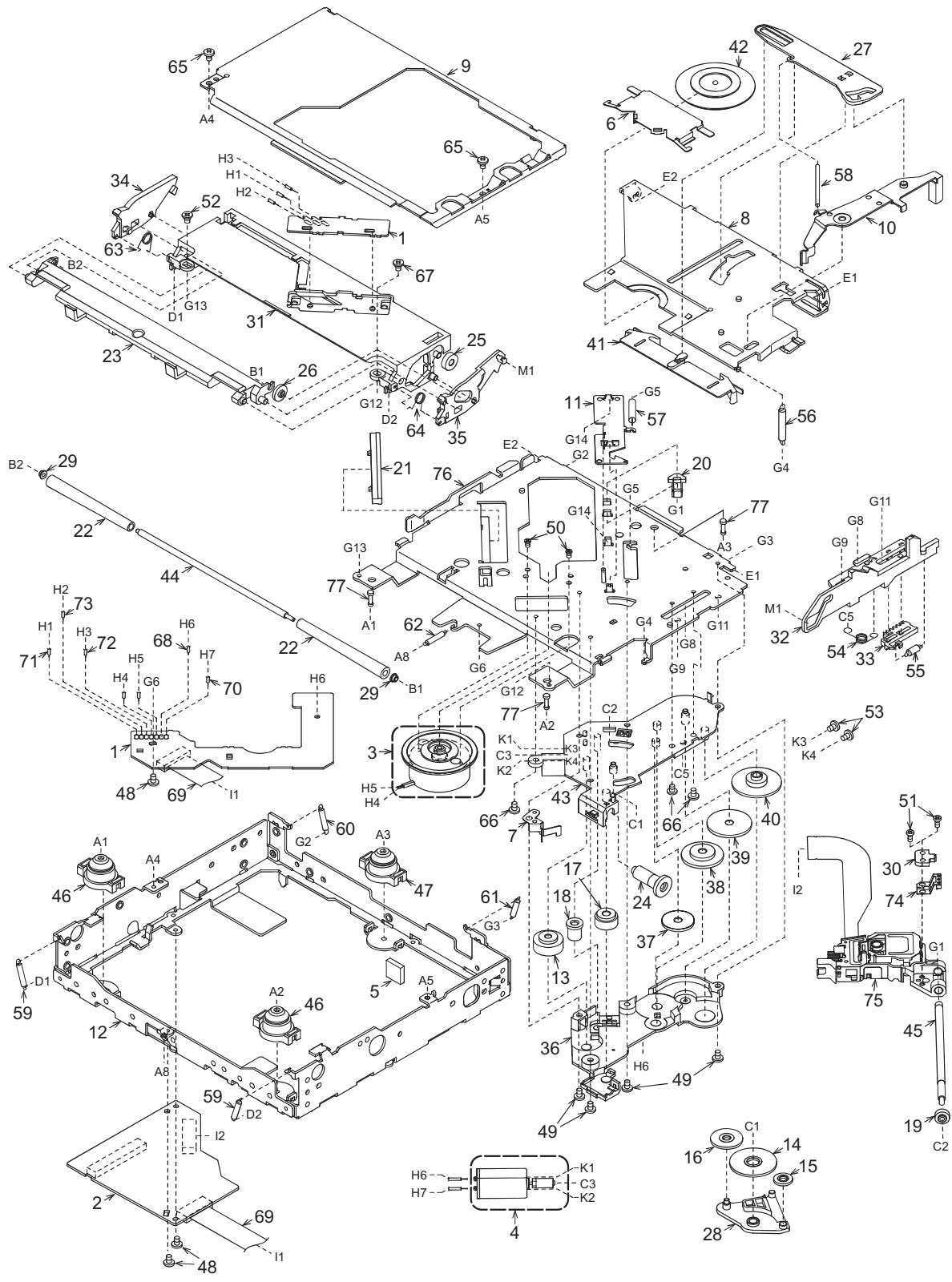
REF No.	PART No.	DESCRIPTION	REF No.	PART No.	DESCRIPTION	REF No.	PART No.	DESCRIPTION
Q301	125-2027-91	DTC114EUA	R154	116-0000-05	1/4W 0 ohm JW	R343	119-1011-15	1/10W 100 ohm
Q302	125-0021-91	DTA114EUA	R155	116-3011-15	1/4W 300 ohm	R344	119-1011-15	1/10W 100 ohm
Q303	192-4081-00	2SC4081	R156	116-3011-15	1/4W 300 ohm	R345	119-3331-15	1/10W 33k ohm
Q304	192-4081-00	2SC4081	R157	116-3011-15	1/4W 300 ohm	R346	119-1031-15	1/10W 10k ohm
Q306	192-2712-00	2SC2712	R158	116-3011-15	1/4W 300 ohm	R347	119-1031-15	1/10W 10k ohm
Q401	125-7005-90	PHK04P02T	R159	-----	(N/A)	R348	-----	(N/A)
Q501	125-2027-91	DTC114EUA	R201	116-1211-15	1/4W 120 ohm	R349	119-1011-15	1/10W 100 ohm
Q502	125-0021-91	DTA114EUA	R202	119-1031-15	1/10W 10k ohm	R350	119-1011-15	1/10W 100 ohm
Q503	-----	(N/A)	R203	119-3321-15	1/10W 3.3k ohm	R355	-----	(N/A)
Q504	-----	(N/A)	R204	116-6801-15	1/4W 68 ohm	R356	119-1031-15	1/10W 10k ohm
Q505	-----	(N/A)	R205	116-1011-15	1/4W 100 ohm	R357	119-1031-15	1/10W 10k ohm
Q506	-----	(N/A)	R206	116-1011-15	1/4W 100 ohm	R359	119-4721-15	1/10W 4.7k ohm
Q507	-----	(N/A)	R207	-----	(N/A)	R360	119-4721-15	1/10W 4.7k ohm
Q508	-----	(N/A)	R212	119-4721-15	1/10W 4.7k ohm	R361	119-4721-15	1/10W 4.7k ohm
Q509	125-2027-91	DTC114EUA	R213	119-4721-15	1/10W 4.7k ohm	R362	119-4721-15	1/10W 4.7k ohm
Q1001	190-1052-03	2SA1052 C	R215	032-0209-50	1/4W 82 ohm D	R363	119-1031-15	1/10W 10k ohm
Q1005	192-5810-00	2SC5810 TE12L	R217	032-0140-72	1/10W 470 ohm F	R364	119-1031-15	1/10W 10k ohm
Q2000	192-4081-00	2SC4081	R223	119-5641-15	1/10W 560k ohm	R366	119-1031-15	1/10W 10k ohm
Q2001	192-4081-00	2SC4081	R225	119-1021-15	1/10W 1k ohm	R367	119-3321-15	1/10W 3.3k ohm
Q2002	192-4081-00	2SC4081	R226	119-4721-15	1/10W 4.7k ohm	R370	119-1041-15	1/10W 100k ohm
Q2003	-----	(N/A)	R229	119-1031-15	1/10W 10k ohm	R372	119-1041-15	1/10W 100k ohm
R101	119-2221-15	1/10W 2.2k ohm	R230	119-1031-15	1/10W 10k ohm	R378	119-0000-05	1/10W 0 ohm JW
R102	119-1031-15	1/10W 10k ohm	R233	119-3331-15	1/10W 33k ohm	R379	119-0000-05	1/10W 0 ohm JW
R103	-----	(N/A)	R234	116-1021-15	1/4W 1k ohm	R380	119-3331-15	1/10W 33k ohm
R104	119-1521-15	1/10W 1.5k ohm	R239	119-1031-15	1/10W 10k ohm	R381	119-4721-15	1/10W 4.7k ohm
R105	119-1031-15	1/10W 10k ohm	R240	119-3331-15	1/10W 33k ohm	R382	119-3331-15	1/10W 33k ohm
R106	116-1521-15	1/4W 1.5k ohm	R241	119-3321-15	1/10W 3.3k ohm	R383	119-3331-15	1/10W 33k ohm
R107	119-1031-15	1/10W 10k ohm	R242	119-1031-15	1/10W 10k ohm	R384	116-0000-05	1/4W 0 ohm JW
R108	116-0000-05	1/4W 0 ohm JW	R243	119-3321-15	1/10W 3.3k ohm	R386	119-3331-15	1/10W 33k ohm
R109	116-0000-05	1/4W 0 ohm JW	R244	-----	(N/A)	R387	119-1031-15	1/10W 10k ohm
R110	-----	(N/A)	R245	119-3331-15	1/10W 33k ohm	R396	-----	(N/A)
R111	-----	(N/A)	R246	119-1031-15	1/10W 10k ohm	R397	-----	(N/A)
R112	119-4731-15	1/10W 47k ohm	R247	-----	(N/A)	R398	-----	(N/A)
R113	-----	(N/A)	R248	119-3331-15	1/10W 33k ohm	R399	119-4721-15	1/10W 4.7k ohm
R114	-----	(N/A)	R249	-----	(N/A)	R400	-----	(N/A)
R115	119-1041-15	1/10W 100k ohm	R250	119-1031-15	1/10W 10k ohm	R401	032-0140-52	1/10W 33k ohm F
R116	-----	(N/A)	R251	116-3311-15	1/4W 330 ohm	R402	032-0140-52	1/10W 33k ohm F
R117	-----	(N/A)	R271	119-4731-15	1/10W 47k ohm	R403	119-3331-15	1/10W 33k ohm
R118	119-0000-05	1/10W 0 ohm JW	R272	119-4731-15	1/10W 47k ohm	R404	119-3331-15	1/10W 33k ohm
R119	117-3921-15	1/8W 3.9k ohm	R301	119-1031-15	1/10W 10k ohm	R405	032-0140-52	1/10W 33k ohm F
R120	119-1011-15	1/10W 100 ohm	R302	-----	(N/A)	R406	032-0140-52	1/10W 33k ohm F
R121	119-1521-15	1/10W 1.5k ohm	R303	-----	(N/A)	R407	032-0140-52	1/10W 33k ohm F
R122	119-6821-15	1/10W 6.8k ohm	R304	-----	(N/A)	R408	032-0140-52	1/10W 33k ohm F
R123	119-6821-15	1/10W 6.8k ohm	R305	119-1041-15	1/10W 100k ohm	R409	119-1031-15	1/10W 10k ohm
R124	119-1011-15	1/10W 100 ohm	R309	119-3331-15	1/10W 33k ohm	R410	119-1031-15	1/10W 10k ohm
R125	119-1031-15	1/10W 10k ohm	R310	119-3331-15	1/10W 33k ohm	R411	119-1031-15	1/10W 10k ohm
R126	119-1011-15	1/10W 100 ohm	R311	119-3331-15	1/10W 33k ohm	R412	119-1031-15	1/10W 10k ohm
R127	119-1031-15	1/10W 10k ohm	R312	119-3331-15	1/10W 33k ohm	R413	119-1031-15	1/10W 10k ohm
R128	119-1011-15	1/10W 100 ohm	R317	119-4731-15	1/10W 47k ohm	R414	119-1021-15	1/10W 1k ohm
R129	119-1011-15	1/10W 100 ohm	R318	-----	(N/A)	R415	-----	(N/A)
R130	119-1011-15	1/10W 100 ohm	R319	119-3331-15	1/10W 33k ohm	R416	119-0000-05	1/10W 0 ohm JW
R131	116-5691-15	1/4W 5.6 ohm	R320	-----	(N/A)	R417	119-1031-15	1/10W 10k ohm
R132	119-1011-15	1/10W 100 ohm	R321	119-2241-15	1/10W 220k ohm	R418	119-1031-15	1/10W 10k ohm
R133	-----	(N/A)	R322	119-3331-15	1/10W 33k ohm	R419	119-5631-15	1/10W 56k ohm
R134	117-2721-15	1/8W 2.7k ohm	R323	119-1021-15	1/10W 1k ohm	R420	119-5631-15	1/10W 56k ohm
R135	116-0000-05	1/4W 0 ohm JW	R324	119-3331-15	1/10W 33k ohm	R421	119-5631-15	1/10W 56k ohm
R136	-----	(N/A)	R325	119-3331-15	1/10W 33k ohm	R422	119-0000-05	1/10W 0 ohm JW
R137	119-0000-05	1/10W 0 ohm JW	R326	119-3331-15	1/10W 33k ohm	R423	119-5631-15	1/10W 56k ohm
R138	119-1031-15	1/10W 10k ohm	R327	119-3331-15	1/10W 33k ohm	R424	119-0000-05	1/10W 0 ohm JW
R139	-----	(N/A)	R328	119-5611-15	1/10W 560 ohm	R425	119-1001-15	1/10W 10 ohm
R140	116-2291-15	1/4W 2.2 ohm	R329	119-3331-15	1/10W 33k ohm	R426	-----	(N/A)
R141	116-2291-15	1/4W 2.2 ohm	R330	119-1031-15	1/10W 10k ohm	R427	-----	(N/A)
R142	116-2221-15	1/4W 2.2k ohm	R331	119-3331-15	1/10W 33k ohm	R428	032-0140-52	1/10W 33k ohm F
R143	116-6811-15	1/4W 680 ohm	R332	119-6831-15	1/10W 68k ohm	R429	032-0140-52	1/10W 33k ohm F
R144	119-3321-15	1/10W 3.3k ohm	R333	119-6831-15	1/10W 68k ohm	R430	032-0140-52	1/10W 33k ohm F
R145	119-1031-15	1/10W 10k ohm	R334	119-2241-15	1/10W 220k ohm	R431	032-0140-52	1/10W 33k ohm F
R146	119-1031-15	1/10W 10k ohm	R335	119-0000-05	1/10W 0 ohm JW	R433	119-1031-15	1/10W 10k ohm
R147	119-4791-15	1/10W 4.7 ohm	R336	119-4731-15	1/10W 47k ohm	R434	119-1031-15	1/10W 10k ohm
R148	119-1031-15	1/10W 10k ohm	R337	119-3331-15	1/10W 33k ohm	R435	119-1011-15	1/10W 100 ohm
R149	119-4791-15	1/10W 4.7 ohm	R338	119-1021-15	1/10W 1k ohm	R436	119-1011-15	1/10W 100 ohm
R150	116-1221-15	1/4W 1.2k ohm	R339	119-3331-15	1/10W 33k ohm	R437	119-0000-05	1/10W 0 ohm JW
R151	116-1221-15	1/4W 1.2k ohm	R340	119-3331-15	1/10W 33k ohm	R438	119-1011-15	1/10W 100 ohm
R152	116-1221-15	1/4W 1.2k ohm	R341	119-3331-15	1/10W 33k ohm	R439	119-1011-15	1/10W 100 ohm
R153	116-1221-15	1/4W 1.2k ohm	R342	119-4731-15	1/10W 47k ohm	R440	119-1011-15	1/10W 100 ohm

REF No.	PART No.	DESCRIPTION	REF No.	PART No.	DESCRIPTION	REF No.	PART No.	DESCRIPTION
R441	119-1021-15	1/10W 1k ohm	R538	119-4731-15	1/10W 47k ohm	R2030	-----	(N/A)
R442	119-1021-15	1/10W 1k ohm	R539	-----	(N/A)	R2031	119-0000-05	1/10W 0 ohm JW
R443	119-0000-05	1/10W 0 ohm JW	R540	-----	(N/A)	R2032	-----	(N/A)
R444	119-1031-15	1/10W 10k ohm	R541	119-2221-15	1/10W 2.2k ohm	R2033	-----	(N/A)
R445	119-0000-05	1/10W 0 ohm JW	R542	119-2221-15	1/10W 2.2k ohm	R2034	119-0000-05	1/10W 0 ohm JW
R446	119-1031-15	1/10W 10k ohm	R543	119-2221-15	1/10W 2.2k ohm	R2036	-----	(N/A)
R447	119-0000-05	1/10W 0 ohm JW	R544	119-2221-15	1/10W 2.2k ohm	R2039	119-0000-05	1/10W 0 ohm JW
R448	119-1001-15	1/10W 10 ohm	R545	119-1041-15	1/10W 100k ohm	R2040	-----	(N/A)
R449	-----	(N/A)	R546	119-3321-15	1/10W 3.3k ohm	R2042	119-0000-05	1/10W 0 ohm JW
R450	119-1011-15	1/10W 100 ohm	R547	119-1041-15	1/10W 100k ohm	R2047	119-0000-05	1/10W 0 ohm JW
R451	119-0000-05	1/10W 0 ohm JW	R548	117-0000-05	1/8W 0 ohm JW	R2050	119-1021-15	1/10W 1k ohm
R471	119-2201-15	1/10W 22 ohm	R549	119-1041-15	1/10W 100k ohm	R2051	119-1021-15	1/10W 1k ohm
R501	119-1021-15	1/10W 1k ohm	R550	119-1041-15	1/10W 100k ohm	R2052	119-1021-15	1/10W 1k ohm
R502	119-1021-15	1/10W 1k ohm	R551	116-1031-15	1/4W 10k ohm	R2053	119-1021-15	1/10W 1k ohm
R503	119-1021-15	1/10W 1k ohm	R552	119-4721-15	1/10W 4.7k ohm	R2054	119-1021-15	1/10W 1k ohm
R504	119-1021-15	1/10W 1k ohm	R1001	119-1031-15	1/10W 10k ohm	R2055	119-1021-15	1/10W 1k ohm
R505	119-4731-15	1/10W 47k ohm	R1002	119-1021-15	1/10W 1k ohm	R2056	119-0000-05	1/10W 0 ohm JW
R506	119-4731-15	1/10W 47k ohm	R1005	-----	(N/A)	R3001	119-3331-15	1/10W 33k ohm
R507	119-4731-15	1/10W 47k ohm	R1015	-----	(N/A)	R3002	119-3331-15	1/10W 33k ohm
R508	119-4731-15	1/10W 47k ohm	R2000	119-1031-15	1/10W 10k ohm	R3003	119-1021-15	1/10W 1k ohm
R509	119-0000-05	1/10W 0 ohm JW	R2001	119-1031-15	1/10W 10k ohm	R3020	119-0000-05	1/10W 0 ohm JW
R510	119-0000-05	1/10W 0 ohm JW	R2002	119-4731-15	1/10W 47k ohm	R3021	119-0000-05	1/10W 0 ohm JW
R511	119-0000-05	1/10W 0 ohm JW	R2003	119-1031-15	1/10W 10k ohm	R3022	119-0000-05	1/10W 0 ohm JW
R512	119-0000-05	1/10W 0 ohm JW	R2004	119-1031-15	1/10W 10k ohm	R3023	119-0000-05	1/10W 0 ohm JW
R513	119-6821-15	1/10W 6.8k ohm	R2005	119-1031-15	1/10W 10k ohm	R3024	119-0000-05	1/10W 0 ohm JW
R514	119-6821-15	1/10W 6.8k ohm	R2006	119-0000-05	1/10W 0 ohm JW	R4000	032-0140-52	1/10W 33k ohm F
R515	119-6821-15	1/10W 6.8k ohm	R2007	116-4721-15	1/4W 4.7k ohm	R4001	032-0140-52	1/10W 33k ohm F
R516	119-6821-15	1/10W 6.8k ohm	R2008	119-1031-15	1/10W 10k ohm	R4002	032-0140-52	1/10W 33k ohm F
R517	119-6821-15	1/10W 6.8k ohm	R2009	116-1011-15	1/4W 100 ohm	R4003	032-0140-52	1/10W 33k ohm F
R518	119-6821-15	1/10W 6.8k ohm	R2010	119-2231-15	1/10W 22k ohm	R4004	032-0140-52	1/10W 33k ohm F
R519	119-1031-15	1/10W 10k ohm	R2011	117-5621-15	1/8W 5.6k ohm	R4005	119-3931-15	1/10W 39k ohm
R520	-----	(N/A)	R2012	119-1031-15	1/10W 10k ohm	R4006	119-3931-15	1/10W 39k ohm
R521	-----	(N/A)	R2013	119-4731-15	1/10W 47k ohm	SUP101	060-0122-91	DSP-141N-S00B
R522	119-1031-15	1/10W 10k ohm	R2014	-----	(N/A)	T501	009-0670-80	180uH
R523	119-1531-15	1/10W 15k ohm	R2015	-----	(N/A)	TC301	004-1589-52	20pF
R524	119-1531-15	1/10W 15k ohm	R2016	-----	(N/A)	TH101	002-0318-21	THERMISTOR
R525	119-1031-15	1/10W 10k ohm	R2017	-----	(N/A)	TH201	-----	(N/A)
R526	119-1031-15	1/10W 10k ohm	R2018	-----	(N/A)	TM101	073-0762-90	TERMINAL
R527	-----	(N/A)	R2019	119-1021-15	1/10W 1k ohm	TM102	073-0762-90	TERMINAL
R528	-----	(N/A)	R2020	119-1021-15	1/10W 1k ohm	TM103	073-0762-90	TERMINAL
R529	119-0000-05	1/10W 0 ohm JW	R2021	119-0000-05	1/10W 0 ohm JW	TM201	073-0762-90	TERMINAL
R530	119-0000-05	1/10W 0 ohm JW	R2022	119-1021-15	1/10W 1k ohm	TM202	073-0762-90	TERMINAL
R531	119-0000-05	1/10W 0 ohm JW	R2023	119-1021-15	1/10W 1k ohm	TM501	073-0762-90	TERMINAL
R532	119-0000-05	1/10W 0 ohm JW	R2024	119-1021-15	1/10W 1k ohm	X301	061-3560-90	3.145728MHz AT-41 CD2
R533	119-1531-15	1/10W 15k ohm	R2025	119-1021-15	1/10W 1k ohm	X401	061-3537-90	41.6MHz
R534	119-1531-15	1/10W 15k ohm	R2026	119-1021-15	1/10W 1k ohm	PWB	039-3346-00	PWB(WITHOUT CO MPONENTS)
R535	119-6821-15	1/10W 6.8k ohm	R2027	119-0000-05	1/10W 0 ohm JW			
R536	119-6821-15	1/10W 6.8k ohm	R2028	119-0000-05	1/10W 0 ohm JW			
R537	119-4731-15	1/10W 47k ohm	R2029	-----	(N/A)			

Switch PWB(B2) section

REF No.	PART No.	DESCRIPTION	REF No.	PART No.	DESCRIPTION	REF No.	PART No.	DESCRIPTION
C600	166-1011-50	100pF CH	D644	001-2630-90	1SS420-TPL3,F	R606	119-1011-15	1/10W 100 ohm
C601	168-1042-78	16V 0.1uF K	D645	001-2630-90	1SS420-TPL3,F	R607	119-1011-15	1/10W 100 ohm
C602	166-2201-50	22pF CH	D646	001-2630-90	1SS420-TPL3,F	R608	119-1011-15	1/10W 100 ohm
C603	166-1011-50	100pF CH	D647	001-7134-54	NHSBO46A-HC14-TK MLP5LP	R609	116-1221-15	1/4W 1.2k ohm
C604	166-2201-50	22pF CH	D648	001-7134-54	NHSBO46A-HC14-TK MLP5LP	R610	119-2211-15	1/10W 220 ohm
C608	168-1042-78	16V 0.1uF K	D649	001-7134-54	NHSBO46A-HC14-TK MLP5LP	R611	116-1021-15	1/4W 1k ohm
C609	168-1022-55	1000pF K	D650	001-7134-54	NHSBO46A-HC14-TK MLP5LP	R612	119-2211-15	1/10W 220 ohm
C610	-----	(N/A)	D651	001-9210-50	AVR-M1608C270MTA AD	R613	116-1221-15	1/4W 1.2k ohm
C611	-----	(N/A)	D652	001-9210-50	AVR-M1608C270MTA AD	R614	119-2211-15	1/10W 220 ohm
C612	-----	(N/A)	D653	001-9210-50	AVR-M1608C270MTA AD	R615	116-1221-15	1/4W 1.2k ohm
C613	-----	(N/A)	D654	001-9210-50	AVR-M1608C270MTA AD	R616	119-2211-15	1/10W 220 ohm
C614	-----	(N/A)	D655	001-9210-50	AVR-M1608C270MTA AD	R617	116-1821-15	1/4W 1.8k ohm
C615	-----	(N/A)	D656	001-9210-50	AVR-M1608C270MTA AD	R618	116-1821-15	1/4W 1.8k ohm
C616	-----	(N/A)	D657	001-9210-50	AVR-M1608C270MTA AD	R619	116-1821-15	1/4W 1.8k ohm
C617	-----	(N/A)	D658	001-9210-50	AVR-M1608C270MTA AD	R620	116-1821-15	1/4W 1.8k ohm
C630	166-2201-50	22pF CH	D659	001-7134-50	NHSBO46A-HC14-TK LP9G	R621	119-2221-15	1/10W 2.2k ohm
C650	166-1007-50	10pF CH	D660	001-7134-54	NHSBO46A-HC14-TK MLP5LP	R622	119-3321-15	1/10W 3.3k ohm
C651	166-1007-50	10pF CH	D670	001-9210-50	AVR-M1608C270MTA AD	R623	119-2711-15	1/10W 270 ohm
C660	168-1042-78	16V 0.1uF K	D671	001-9210-50	AVR-M1608C270MTA AD	R624	119-1031-15	1/10W 10k ohm
D600	001-7134-53	NHSBO46A-HC14-TK MLP3LP	D672	001-9210-50	AVR-M1608C270MTA AD	R625	119-1031-15	1/10W 10k ohm
D601	001-7134-53	NHSBO46A-HC14-TK MLP3LP	D673	001-9210-50	AVR-M1608C270MTA AD	R626	119-1031-15	1/10W 10k ohm
D604	001-7134-53	NHSBO46A-HC14-TK MLP3LP	D679	001-7134-50	NHSBO46A-HC14-TK LP9G	R627	116-1021-15	1/4W 1k ohm
D605	001-7134-53	NHSBO46A-HC14-TK MLP3LP	D680	001-7134-50	NHSBO46A-HC14-TK LP9G	R628	119-1031-15	1/10W 10k ohm
D608	001-7134-54	NHSBO46A-HC14-TK MLP5LP	D683	001-7134-50	NHSBO46A-HC14-TK LP9G	R629	116-2721-15	1/4W 2.7k ohm
D609	001-7134-54	NHSBO46A-HC14-TK MLP5LP	D684	001-7134-50	NHSBO46A-HC14-TK LP9G	R630	119-0000-05	1/10W 0 ohm JW
D612	001-2630-90	1SS420-TPL3,F	D687	001-7134-50	NHSBO46A-HC14-TK LP9G	R631	119-0000-05	1/10W 0 ohm JW
D613	001-2630-90	1SS420-TPL3,F	D688	001-7134-50	NHSBO46A-HC14-TK LP9G	R639	119-1021-15	1/10W 1k ohm
D614	001-2630-90	1SS420-TPL3,F	D691	001-7134-50	NHSBO46A-HC14-TK LP9G	R640	119-1021-15	1/10W 1k ohm
D615	001-2630-90	1SS420-TPL3,F	D692	001-7134-50	NHSBO46A-HC14-TK LP9G	R641	119-1021-15	1/10W 1k ohm
D616	001-2630-90	1SS420-TPL3,F	IC601	051-7239-08	TC74VHCT08AFT-EL	R642	119-0000-05	1/10W 0 ohm JW
D617	001-7134-54	NHSBO46A-HC14-TK MLP5LP	J600	074-2228-26	SOCKET(26P)	R643	119-1011-15	1/10W 100 ohm
D618	001-7134-54	NHSBO46A-HC14-TK MLP5LP	J601	074-3014-56	6P	R644	119-1011-15	1/10W 100 ohm
D621	001-7134-54	NHSBO46A-HC14-TK MLP5LP	J604	076-6000-56	6P	R645	119-1021-15	1/10W 1k ohm
D622	001-7134-54	NHSBO46A-HC14-TK MLP5LP	J605	074-3014-76	26P	R646	119-1021-15	1/10W 1k ohm
D625	001-2630-90	1SS420-TPL3,F	J606	074-3014-62	12P	R647	119-8211-15	1/10W 820 ohm
D626	001-2630-90	1SS420-TPL3,F	J608	075-0306-00	JACK	R648	119-8211-15	1/10W 820 ohm
D627	001-2630-90	1SS420-TPL3,F	P601	076-3011-56	6P	R649	119-8211-15	1/10W 820 ohm
D628	001-2630-90	1SS420-TPL3,F	Q600	192-4081-00	2SC4081	R650	119-8211-15	1/10W 820 ohm
D629	001-2630-90	1SS420-TPL3,F	Q601	192-4081-00	2SC4081	R651	119-0000-05	1/10W 0 ohm JW
D630	001-7134-54	NHSBO46A-HC14-TK MLP5LP	Q604	-----	(N/A)	R652	119-0000-05	1/10W 0 ohm JW
D631	001-7134-54	NHSBO46A-HC14-TK MLP5LP	Q605	-----	(N/A)	R653	-----	(N/A)
D634	001-2630-90	1SS420-TPL3,F	R600	119-1011-15	1/10W 100 ohm	R654	-----	(N/A)
D635	001-2630-90	1SS420-TPL3,F	R601	119-1011-15	1/10W 100 ohm	R655	-----	(N/A)
D636	001-2630-90	1SS420-TPL3,F	R602	119-1011-15	1/10W 100 ohm	R656	-----	(N/A)
D637	001-2630-90	1SS420-TPL3,F	R603	119-1011-15	1/10W 100 ohm	R657	116-6821-15	1/4W 6.8k ohm
D638	001-2630-90	1SS420-TPL3,F	R604	119-1011-15	1/10W 100 ohm	R658	119-1011-15	1/10W 100 ohm
D639	001-7063-95	RBR1102W D,E (RE D)	R605	119-1011-15	1/10W 100 ohm	R683	116-1521-15	1/4W 1.5k ohm
D640	001-7103-91	CL-191S-MG-D-T(GR N)				R685	116-1821-15	1/4W 1.8k ohm
D641	001-0529-36	MA8062-H				R687	116-1521-15	1/4W 1.5k ohm
D642	001-2630-90	1SS420-TPL3,F				R689	116-1221-15	1/4W 1.2k ohm
D643	001-2630-90	1SS420-TPL3,F				S650	016-7004-00	ROTARY SWITCH
						TM600	-----	(N/A)
						TM601	-----	(N/A)
						TM602	073-0786-90	TERMINAL
						TM603	073-0786-90	TERMINAL
						TM604	073-0766-90	TERMINAL
						TM605	073-0766-90	TERMINAL
						TM606	-----	(N/A)
						TM607	-----	(N/A)
						TM608	073-0766-90	TERMINAL
						TM609	-----	(N/A)
						TM610	-----	(N/A)
						PWB	039-3528-01	PWB(WITHOUT CO MPONENTS)

# EXPLODED VIEW / PARTS LIST



NO.	PART NO.	DESCRIPTION	Q'TY
1	-----	SENSOR PWB	1
2	-----	CD PWB	1
3	SMA-200-100	SPINDLE MOTOR-ASSY	1
4	SMA-183-100	SLED MOTOR-ASSY	1
5	345-5476-20	CUSHION RUBBER	1
6	620-1023-23	CLAMPER PLATE	1
7	620-1026-21	SPRING PLATE	1
8	620-1596-23	CLAMPER LINK	1
9	620-1862-20	UPPER CHASSIS	1
10	620-1752-20	SENSOR ARM	1
11	620-1753-20	ID-LOCK PLATE	1
12	620-1868-20	LOWER CHASSIS	1
13	621-0608-21	SECOND GEAR	1
14	621-0609-20	BASE GEAR	1
15	621-0610-20	IDLE GEAR A	1
16	621-0611-20	IDLE GEAR B	1
17	621-0612-21	ROLLER GEAR A	1
18	621-0620-20	THREAD GEAR A	1
19	621-0621-20	THREAD GEAR B	1
20	621-0623-23	LS-HOLDER	1
21	621-0624-22	GUIDE RAIL	1
22	621-0711-21	LOADING ROLLER	2
23	621-0718-21	ROLLER GUIDE	1
24	621-0719-20	ROLLER GEAR B	1
25	621-0720-20	ROLLER GEAR C	1
26	621-0721-20	ROLLER GEAR D	1
27	621-0728-20	STOPPER LINK	1
28	621-1719-20	IDLE CASE	1
29	621-1726-20	ROLLER SLEEVE	2
30	621-1729-20	SH-BASE	1
31	621-1742-20	UPPER GUIDE	1
32	621-1743-20	SHIFT LEVER	1
33	621-1744-20	RACK	1
34	621-1745-20	LOCK ARM L	1
35	621-1746-20	LOCK ARM R	1
36	621-1747-20	GEAR COVER	1
37	621-1748-20	POWER GEAR A	1
38	621-1749-20	POWER GEAR B	1
39	621-1750-20	POWER GEAR C	1

NO.	PART NO.	DESCRIPTION	Q'TY
40	621-1751-20	POWER GEAR D	1
41	621-1752-20	DISC STOPPER	1
42	621-1753-20	CLAMPER RING	1
43	621-1754-20	GEAR BASE	1
44	622-1571-21	ROLLER SHAFT	1
45	624-3059-00	LEAD SCREW	1
46	629-0086-20	DAMPER F	2
47	629-0087-20	DAMPER R	1
48	716-1507-01	SCREW(M2x3)	3
49	716-1670-01	SCREW(M2x4)	4
50	716-1733-01	SCREW(M1.7x2.3)	2
51	716-3469-01	SCREW(1.7x4)	2
52	716-3473-01	SCREW(M2x3)	1
53	716-3551-00	SCREW(M1.4x2.5)	2
54	750-7865-20	SHIFT SPRING	1
55	750-7866-20	RACK SPRING	1
56	750-7867-20	CLAMPER SPRING	1
57	750-7868-20	ID-LOCK SPRING	1
58	750-7869-20	SENSOR SPRING	1
59	750-7870-20	DR-SPRING F	2
60	750-7871-20	DR-SPRING RA	1
61	750-7872-20	DR-SPRING RB	1
62	750-7873-20	DR-SPRING C	1
63	750-6797-20	ROLLER SPRING L	1
64	750-6798-20	ROLLER SPRING R	1
65	714-2003-8B	SCREW(M2x3)	2
66	780-2025-00	SCREW(M2x2.5)	3
67	781-1730-00	SCREW(M1.7x3)	1
68	803-4906-60	VINYL-COAT-WIRE(ORG)	1
69	816-2624-55	FLAT WIRE	1
70	816-2590-00	VINYL-COAT-WIRE(GRN)	1
71	816-2591-00	VINYL-COAT-WIRE(YEL)	1
72	816-2592-00	VINYL-COAT-WIRE(BLUE)	1
73	816-2593-00	VINYL-COAT-WIRE(PUR)	1
74	966-1722-20	SH-RACK-ASSY	1
75	969-0075-31	PICKUP-ASSY	1
76	620-1867-20	DRIVE-PLTATE	1
77	622-1570-21	DAMPER PIN	3

# ELECTRICAL PARTS LIST

## CD PWB(BM1) section

REF No.	PART No.	DESCRIPTION	REF No.	PART No.	DESCRIPTION	REF No.	PART No.	DESCRIPTION
C2	178-1052-78	1uF	C55	168-1042-78	16V 0.1uF K	R25	119-1041-15	1/10W 100k ohm
C3	165-1073-35	16V 100uF	C56	168-1042-78	16V 0.1uF K	R26	119-0000-05	1/10W 0 ohm JW
C4	168-1042-78	16V 0.1uF K	C59	166-4701-50	47pF CH	R27	119-4731-15	1/10W 47k ohm
C6	178-1052-78	1uF	C60	168-1042-78	16V 0.1uF K	R29	119-5621-15	1/10W 5.6k ohm
C7	042-0560-85	6.3V 100uF	C78	119-0000-05	1/10W 0 ohm JW	R30	119-2231-15	1/10W 22k ohm
C8	178-1052-78	1uF	C117	166-6801-50	68pF CH	R31	119-4731-15	1/10W 47k ohm
C9	166-4711-50	470pF CH	C118	166-6801-50	68pF CH	R32	119-3341-15	1/10W 330k ohm
C10	168-4732-78	0.047uF K	C120	166-1007-50	10pF CH	R33	119-1041-15	1/10W 100k ohm
C11	166-4711-50	470pF CH	C121	166-1007-50	10pF CH	R34	119-1041-15	1/10W 100k ohm
C12	168-4732-78	0.047uF K	C122	166-1007-50	10pF CH	R35	119-1041-15	1/10W 100k ohm
C14	168-1042-78	16V 0.1uF K	C123	166-1007-50	10pF CH	R38	119-1041-15	1/10W 100k ohm
C15	166-1007-50	10pF CH	C124	166-5601-50	56pF CH	R39	119-0000-05	1/10W 0 ohm JW
C16	166-1007-50	10pF CH	C125	166-5601-50	56pF CH	R50	119-0000-05	1/10W 0 ohm JW
C17	168-1042-78	16V 0.1uF K	C126	166-5601-50	56pF CH	R64	119-1051-15	1/10W IM ohm
C18	168-2222-55	2200pF K	CCT100	050-0140-52	1/32W 100 ohm x4J	R70	119-0000-05	1/10W 0 ohm JW
C19	168-1042-78	16V 0.1uF K	D152	001-9210-50	AVR-M1608C270MT AAD	R71	119-0000-05	1/10W 0 ohm JW
C20	168-1042-78	16V 0.1uF K	IC1	051-6733-30	TC94A73MFG201	R100	119-0000-05	1/10W 0 ohm JW
C22	168-6822-55	6800pF K	IC2	051-6709-80	BA5830FM	R101	119-0000-05	1/10W 0 ohm JW
C24	168-3332-78	0.033uF K	J1	074-2215-65	SOCKET (15P)	R102	119-0000-05	1/10W 0 ohm JW
C25	168-3332-78	0.033uF K	J2	074-2215-60	SOCKET (10P)	R103	119-0000-05	1/10W 0 ohm JW
C26	168-1042-78	16V 0.1uF	L1	010-3105-69	MMZ1608S102	R104	119-0000-05	1/10W 0 ohm JW
C28	043-0570-90	16V 2.2uF K	P100	074-1323-90	SOCKET (40P)	R105	119-0000-05	1/10W 0 ohm JW
C31	043-0570-90	16V 2.2uF K	Q1	131-1188-50	2SB1188	R106	119-0000-05	1/10W 0 ohm JW
C33	168-1042-78	16V 0.1uF K	R1	119-2211-15	1/10W 220 ohm	R107	119-0000-05	1/10W 0 ohm JW
C34	168-1042-78	16V 0.1uF K	R2	117-6811-15	1/8W 680 ohm	R108	119-0000-05	1/10W 0 ohm JW
C36	168-1042-78	16V 0.1uF K	R4	119-1001-15	1/10W 10 ohm	R109	119-0000-05	1/10W 0 ohm JW
C37	168-5622-55	5600pF K	R5	119-2731-15	1/10W 27k ohm	R113	119-0000-05	1/10W 0 ohm JW
C38	166-6801-50	68pF CH	R6	119-2731-15	1/10W 27k ohm	R114	119-0000-05	1/10W 0 ohm JW
C39	168-1042-78	16V 0.1uF K	R7	119-2221-15	1/10W 2.2k ohm	R115	119-1011-15	1/10W 100 ohm
C40	168-1532-55	0.015uF K	R8	119-2731-15	1/10W 27k ohm	R116	119-1011-15	1/10W 100 ohm
C41	168-1042-78	16V 0.1uF K	R9	119-2731-15	1/10W 27k ohm	R117	119-1011-15	1/10W 100 ohm
C42	168-1032-55	0.01uF K	R10	119-1051-15	1/10W IM ohm	R118	119-1011-15	1/10W 100 ohm
C44	168-1042-78	16V 0.1uF K	R11	119-2211-15	1/10W 220 ohm	R119	119-1011-15	1/10W 100 ohm
C46	168-1522-55	1500pF K	R13	119-8231-15	1/10W 82k ohm	R120	119-0000-15	1/10W 0 ohm JW
C47	168-3322-55	3300pF K	R14	119-1531-15	1/10W 15k ohm	R121	119-3331-15	1/10W 33k ohm
C48	168-1032-55	0.01uF K	R15	119-8231-15	1/10W 82k ohm	TM1	073-0768-90	TERMINAL
C49	168-1042-78	16V 0.1uF K	R16	119-4731-15	1/10W 47k ohm	X1	061-3534-90	16.92MHz
C51	166-6801-50	68pF CH	R22	119-2231-15	1/10W 22k ohm	PWB	039-3348-00	PWB(WITHOUT COMPONENT)
C54	168-1532-55	0.015uF K						

## Sensor PWB(BM2) section

REF No.	PART No.	DESCRIPTION	REF No.	PART No.	DESCRIPTION	REF No.	PART No.	DESCRIPTION
D1	001-7058-90	AN1105W-RR	Q1	060-4015-91	PS1192HB	S2	013-7413-50	LIMIT
D2	001-7058-90	AN1105W-RR	Q2	060-4015-91	PS1192HB	PWB	039-2675-20	PWB(WITHOUT COMPONENT)
J1	074-2215-60	SOCKET (10P)	S1	013-7414-50	CHUCKING			